



**THE DATASHEET OF  
DCR022405P-U/700**



## DCR02 Miniature, 2-W Isolated Regulated DC-DC Converters

### 1 Features

- 1000-Vrms Isolation
- UL1950 Recognized
- 55-W/in<sup>3</sup> (3.3-W/cm<sup>3</sup>) Power Density
- 10-Pin PDIP and SOP Packages
- Device-to-Device Synchronization
- Thermal Protection
- 400-kHz Switching
- 125 FITS at 55°C
- Short-Circuit Protection
- 12-V and 24-V Input
- 5-V Output

### 2 Applications

- Point-of-Use Power Conversion
- Digital Interface Power
- Ground Loop Elimination
- Power-Supply Noise Reduction

### 3 Description

The DCR02 family is a series of high-efficiency, input-isolated, output-regulated DC/DC converters. In addition to 2-W nominal, galvanically-isolated output power capability, this range of converters offers very low output noise and high accuracy.

The DCR02 family is implemented in standard molded device packaging, providing standard JEDEC outlines suitable for high-volume assembly.

The DCR02 family is manufactured using the same technology as standard device packages, thereby achieving very high reliability.

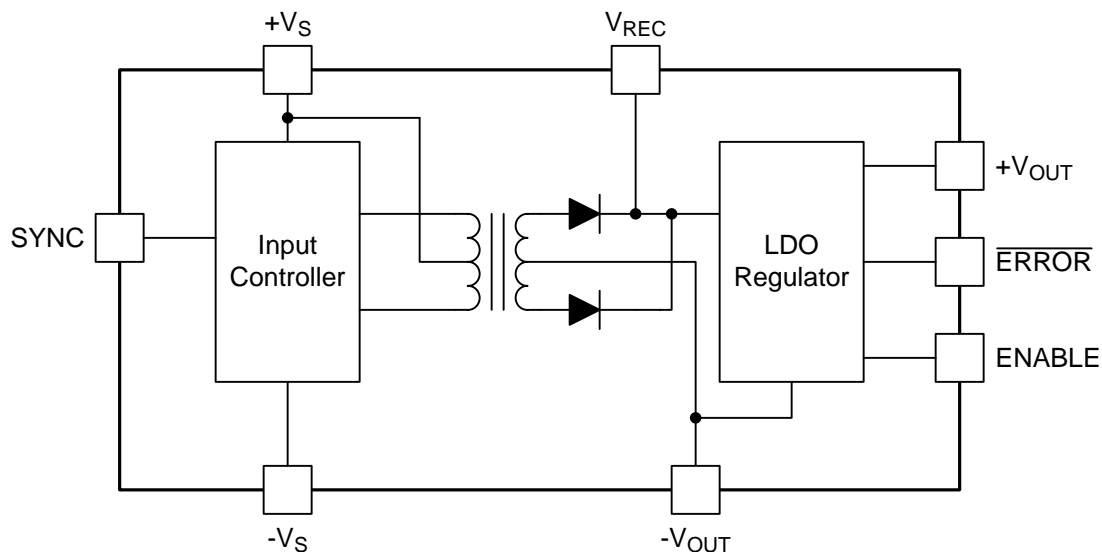
**WARNING:** This product has operational isolation and is intended for signal isolation only. It must not be used as a part of a safety isolation circuit requiring reinforced isolation. See definitions in [Isolation](#).

#### Device Information<sup>(1)</sup>

PART NUMBER	PACKAGE	BODY SIZE (NOM)
DCR02xxxx	PDIP (10)	22.86 mm x 6.61 mm
	SOP (10)	22.86 mm x 6.61 mm

(1) For all available packages, see the orderable addendum at the end of the datasheet.

#### DCR02 Block Diagram



Copyright © 2016, Texas Instruments Incorporated



## Table of Contents

<b>1 Features</b> .....	<b>1</b>	<b>8 Application and Implementation</b> .....	<b>11</b>
<b>2 Applications</b> .....	<b>1</b>	8.1 Application Information.....	11
<b>3 Description</b> .....	<b>1</b>	8.2 Typical Application .....	13
<b>4 Revision History</b> .....	<b>2</b>	<b>9 Power Supply Recommendations</b> .....	<b>15</b>
<b>5 Pin Configuration and Functions</b> .....	<b>3</b>	<b>10 Layout</b> .....	<b>15</b>
<b>6 Specifications</b> .....	<b>4</b>	10.1 Layout Guidelines .....	15
6.1 Absolute Maximum Ratings .....	4	10.2 Layout Examples.....	15
6.2 ESD Ratings.....	4	10.3 Thermal Consideration.....	16
6.3 Recommended Operating Conditions.....	4	<b>11 Device and Documentation Support</b> .....	<b>17</b>
6.4 Thermal Information .....	4	11.1 Documentation Support .....	17
6.5 Electrical Characteristics.....	5	11.2 Related Links .....	17
6.6 Typical Characteristics .....	6	11.3 Receiving Notification of Documentation Updates	17
<b>7 Detailed Description</b> .....	<b>7</b>	11.4 Community Resources.....	17
7.1 Overview .....	7	11.5 Trademarks .....	17
7.2 Functional Block Diagram .....	7	11.6 Electrostatic Discharge Caution.....	17
7.3 Feature Description.....	7	11.7 Glossary .....	17
7.4 Device Functional Modes.....	9	<b>12 Mechanical, Packaging, and Orderable Information</b> .....	<b>17</b>

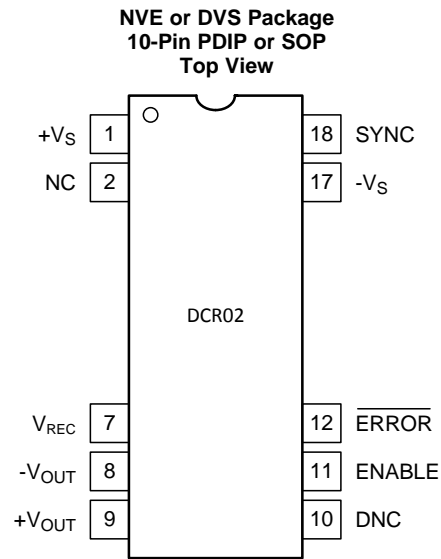
## 4 Revision History

### Changes from Revision B (December 2007) to Revision C

Page

• Added <i>ESD Ratings</i> table, <i>Feature Description</i> section, <i>Device Functional Modes</i> , <i>Application and Implementation</i> section, <i>Power Supply Recommendations</i> section, <i>Layout</i> section, <i>Device and Documentation Support</i> section, and <i>Mechanical, Packaging, and Orderable Information</i> section. ....	1
• Deleted <i>Ordering Information</i> table and <i>Supplemental Ordering Information</i> image; see <i>Package Option Addendum</i> at the end of the data sheet.....	1
• Changed <i>DCR02 PinOut</i> image in <i>Pin Configuration and Functions</i> .....	3
• Changed Pin 1 From: $V_S$ To: $+V_S$ .....	3
• Changed Pin 8 From: $0V_{OUT}$ To: $-V_{OUT}$ .....	3
• Changed Pin 9 From: $V_O$ To: $+V_{OUT}$ .....	3
• Changed Pin 17 From: $0V_{IN}$ To: $-V_S$ .....	3
• Deleted Lead temperature (PDIP package), 270°C maximum, from <i>Absolute Maximum Ratings</i> table .....	4
• Added <i>Isolation</i> subsection to the <i>Feature Description</i> .....	7

## 5 Pin Configuration and Functions



### Pin Functions

PIN		I/O <sup>(1)</sup>	DESCRIPTION
NO.	NAME		
1	+V <sub>S</sub>	I	Voltage input
2	NC	—	No connection
7	V <sub>REC</sub>	O	Rectified output
8	-V <sub>OUT</sub>	O	Output ground
9	+V <sub>OUT</sub>	O	Voltage output
10	DNC	—	Do not connect
11	ENABLE	I	Output voltage enable
12	$\overline{\text{ERROR}}$	O	Error flag active low
17	-V <sub>S</sub>	I	Input ground
18	SYNC	I	Synchronization input

(1) I = input and O = output

## 6 Specifications

### 6.1 Absolute Maximum Ratings

over operating free-air temperature range (unless otherwise noted)<sup>(1)</sup>

		MIN	MAX	UNIT
Input voltage	DCR021205		15	V
	DCR022405		29	
Reflow solder temperature	SOP package (surface temperature of device body or pins)		260	°C
Storage temperature, T <sub>stg</sub>		-60	125	°C

(1) Stresses beyond those listed under *Absolute Maximum Ratings* may cause permanent damage to the device. These are stress ratings only, which do not imply functional operation of the device at these or any other conditions beyond those indicated under *Recommended Operating Conditions*. Exposure to absolute-maximum-rated conditions for extended periods may affect device reliability.

### 6.2 ESD Ratings

		VALUE	UNIT
V <sub>(ESD)</sub>	Electrostatic discharge	Human-body model (HBM), per ANSI/ESDA/JEDEC JS-001 <sup>(1)</sup>	±1000
		Charged-device model (CDM), per JEDEC specification JESD22-C101 <sup>(2)</sup>	±250

(1) JEDEC document JEP155 states that 500-V HBM allows safe manufacturing with a standard ESD control process.

(2) JEDEC document JEP157 states that 250-V CDM allows safe manufacturing with a standard ESD control process.

### 6.3 Recommended Operating Conditions

over operating free-air temperature range (unless otherwise noted)

		MIN	NOM	MAX	UNIT
Input voltage	DCR021205	10.8	12	13.2	V
	DCR022405	21.6	24	26.4	
Operating temperature		-40		70	°C

### 6.4 Thermal Information

THERMAL METRIC <sup>(1)</sup>		DCR02		UNIT
		NVE (PDIP)	DVS (SOP)	
		10 PINS	10 PINS	
R <sub>θJA</sub>	Junction-to-ambient thermal resistance	60	60	°C/W
R <sub>θJC(top)</sub>	Junction-to-case (top) thermal resistance	26	26	°C/W
R <sub>θJB</sub>	Junction-to-board thermal resistance	24	24	°C/W
ψ <sub>JT</sub>	Junction-to-top characterization parameter	7	7	°C/W
ψ <sub>JB</sub>	Junction-to-board characterization parameter	24	24	°C/W

(1) For more information about traditional and new thermal metrics, see the [Semiconductor and IC Package Thermal Metrics](#) application report.

## 6.5 Electrical Characteristics

At  $T_A = +25^\circ\text{C}$ ,  $V_S = \text{nominal}$ ,  $I_{\text{OUT}} = 10 \text{ mA}$ ,  $C_{\text{OUT}} = 0.1\text{-}\mu\text{F}$  ceramic, and  $C_{\text{IN}} = 2.2\text{-}\mu\text{F}$  ceramic, unless otherwise noted.<sup>(1)</sup>

PARAMETER	TEST CONDITIONS		MIN	TYP	MAX	UNIT
<b>OUTPUT</b>						
Nominal output voltage (+V <sub>OUT</sub> )			5			V
Setpoint accuracy			0.5%		2%	
Maximum output current					400	mA
Output short-circuit protected	Duration			Infinite		
Line regulation			1			mV/V
Over line and load	10-mA to 400-mA load, over +V <sub>S</sub> range		1%		2.5%	
Temperature variation	-40°C to 70°C		1%			
Ripple and noise	DCR0212 ripple, 20-MHz bandwidth, 50% load <sup>(1)</sup>		18			mV <sub>PP</sub>
	DCR0212 noise, 100-MHz bandwidth, 50% load <sup>(1)</sup>		20			
	DCR0224 ripple, 20-MHz bandwidth, 50% load <sup>(1)</sup>		18			
	DCR0224 noise, 100-MHz bandwidth, 50% load <sup>(1)</sup>		25			
<b>INPUT</b>						
Nominal voltage (+V <sub>S</sub> )	DCR022405		12			V
	DCR021205		24			
Voltage range			-10%		10%	
Supply current	DCR021205	$I_O = 0 \text{ mA}$	15			mA
		$I_O = 10 \text{ mA}$	23			
		$I_O = 400 \text{ mA}$	250			
	DCR022405	$I_O = 0 \text{ mA}$	15			
		$I_O = 10 \text{ mA}$	17			
		$I_O = 400 \text{ mA}$	129			
Reflected ripple current	20-MHz bandwidth, 100% load <sup>(1)</sup>		8			mA <sub>PP</sub>
<b>ISOLATION</b>						
Voltage	1-s flash test	Voltage	1			kVrms
		dV/dt			500	V/s
		Leakage current			30	nA
	Continuous working voltage across isolation barrier	DC			60	VDC
		AC			42.5	VAC
Barrier capacitance			25			pF
<b>OUTPUT ENABLE CONTROL</b>						
Logic high input voltage			2		V <sub>REC</sub>	V
Logic high input current	$2 < V_{\text{ENABLE}} < V_{\text{REG}}$		100			nA
Logic low input voltage			-0.2		0.5	V
Logic low input current	$0 < V_{\text{ENABLE}} < 0.5$		100			nA
<b>ERROR FLAG</b>						
Logic high open collector leakage	V <sub>ERROR</sub> = 5 V				10	μA
Logic low output voltage	Sinking 2 mA				0.4	V
<b>THERMAL SHUTDOWN</b>						
Junction temperature	Temp activated		150			°C
	Temp deactivated		130			
<b>SYNCHRONIZATION PIN</b>						
Internal oscillator frequency			720	800	880	kHz
External synchronization frequency			720		880	kHz
External synchronization signal high			2.5		3	V

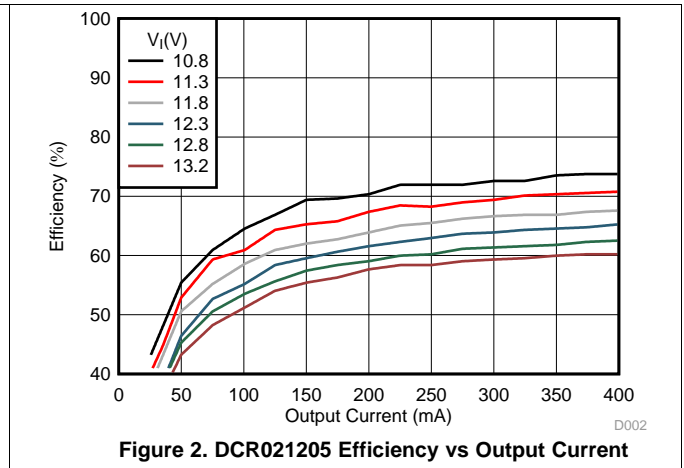
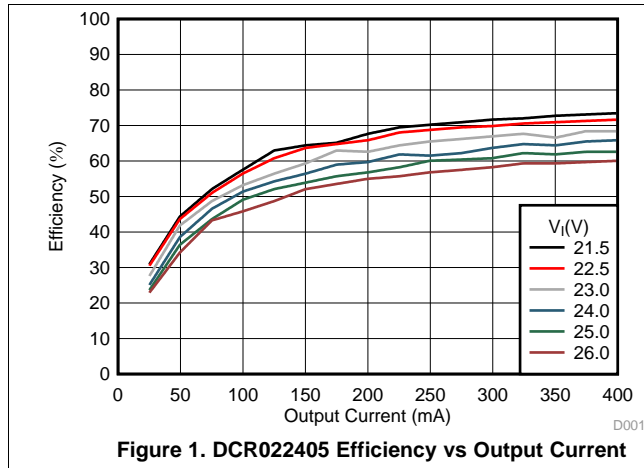
(1) Ceramic capacitors,  $C_{\text{IN}} = 2.2 \mu\text{F}$ ,  $C_{\text{FILTER}} = 1 \mu\text{F}$ , and  $C_{\text{OUT}} = 0.1 \mu\text{F}$ .

### Electrical Characteristics (continued)

At  $T_A = +25^\circ\text{C}$ ,  $V_S = \text{nominal}$ ,  $I_{OUT} = 10 \text{ mA}$ ,  $C_{OUT} = 0.1\text{-}\mu\text{F}$  ceramic, and  $C_{IN} = 2.2\text{-}\mu\text{F}$  ceramic, unless otherwise noted.<sup>(1)</sup>

PARAMETER	TEST CONDITIONS	MIN	TYP	MAX	UNIT
External synchronization signal low		0		0.4	V
External capacitance on SYNC pin				3	pF

### 6.6 Typical Characteristics

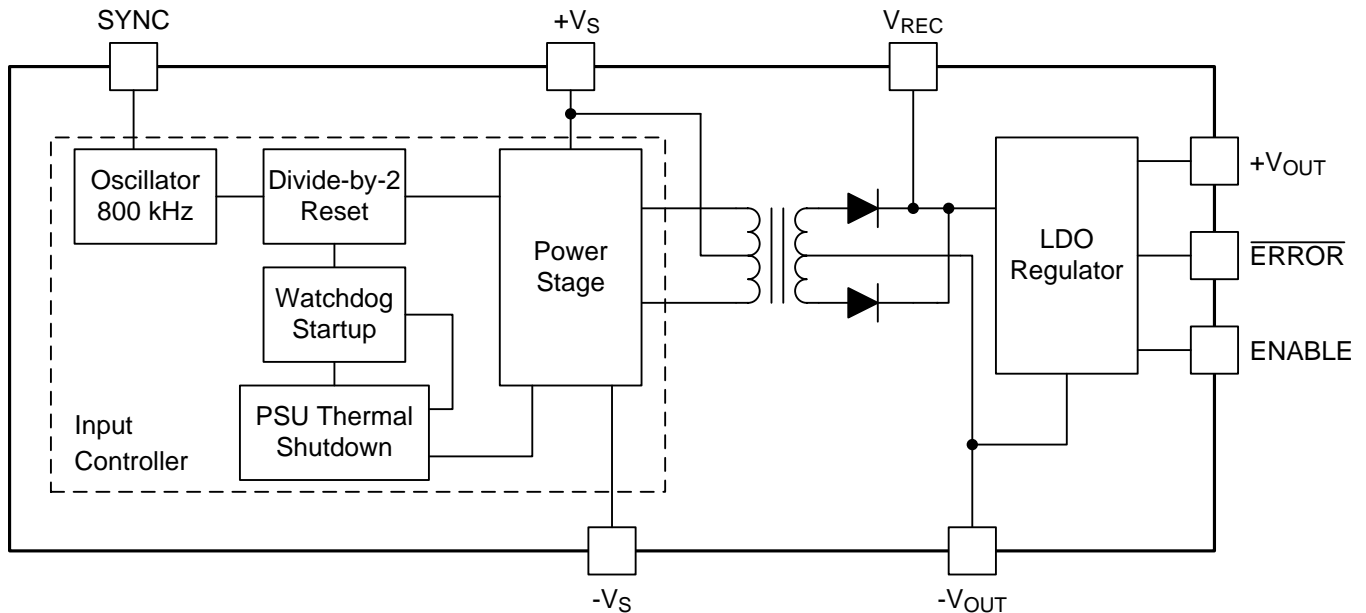


## 7 Detailed Description

### 7.1 Overview

The DCR02 series of power modules offer isolation from a regulated power supply operating from 12 V or 24 V inputs. The DCR02s provide a regulated 5-V output voltage at a nominal output power of 2 W. The DCR02 devices include a low dropout linear regulator internal to the device to achieve a well-regulated output voltage. The DCR02 devices are specified for operational isolation only. The circuit design uses an advanced BiCMOS and DMOS process.

### 7.2 Functional Block Diagram



Copyright © 2016, Texas Instruments Incorporated

### 7.3 Feature Description

#### 7.3.1 Isolation

Underwriters Laboratories (UL)<sup>TM</sup> defines several classes of isolation that are used in modern power supplies.

*Safety extra low voltage* (SELV) is defined by UL (UL1950 E199929) as a secondary circuit which is so designated and protected that under normal and single fault conditions the voltage between any two accessible parts, or between an accessible part and the equipment earthing terminal for operational isolation does not exceed steady state  $42.4 V_{RMS}$  or  $60 V_{DC}$  peak.

##### 7.3.1.1 Operation or Functional Isolation

The type of isolation used in the DCR02 products is referred to as operational or functional isolation. Insulated wire used in the construction of the transformer acts as the primary isolation barrier. A high-potential (hipot), one-second duration test (dielectric voltage, withstand test) is a production test used to verify that the isolation barrier is functioning. Products with operational isolation must never be used as an element in a safety-isolation system.

##### 7.3.1.2 Basic or Enhanced Isolation

Basic or enhanced isolation is defined by specified creepage and clearance limits between the primary and secondary circuits of the power supply. Basic isolation is the use of an isolation barrier in addition to the insulated wire in the construction of the transformer. Input and output circuits must also be physically separated by specified distances.

## Feature Description (continued)

### NOTE

The DCR02 products do not provide basic or enhanced isolation.

### 7.3.1.3 Working Voltage

For a device with operational isolation, the continuous working voltage that can be applied across the device in normal operation must be less than  $42.4 V_{RMS}$  or  $60 V_{DC}$  (SELV limits).

### WARNING

**Do not use the device as an element of a safety isolation system if SELV is exceeded.**

If the device is expected to function correctly with more than  $42.4 V_{RMS}$  or  $60 V_{DC}$  applied continuously across the isolation barrier, then the circuitry on both sides of the barrier must be regarded as operating at an unsafe voltage, and further isolation or insulation systems must form a barrier between these circuits and any user-accessible circuitry according to safety standard requirements.

### 7.3.1.4 Isolation Voltage Rating

The terms *Hipot test*, *flash-tested*, *withstand voltage*, *proof voltage*, *dielectric withstand voltage*, and *isolation test voltage* all relate to the same thing; a test voltage applied for a specified time across a component designed to provide electrical isolation to verify the integrity of that isolation. TI's DCR02 series of DC-DC converters are all 100% production tested at  $1 kV_{AC}$  for one second.

### 7.3.1.5 Repeated High-Voltage Isolation Testing

Repeated high-voltage isolation testing of a barrier component can degrade the isolation capability, depending on materials, construction, and environment. The DCR02 series of DC-DC converters have toroidal, enameled, wire isolation transformers with no additional insulation between the primary and secondary windings. While a device can be expected to withstand several times the stated test voltage, the isolation capability depends on the wire insulation. Any material, including this enamel (typically polyurethane), is susceptible to eventual chemical degradation when subject to very-high applied voltages. Therefore, strictly limit the number of high-voltage tests and repeated high-voltage isolation testing. However, if it is absolutely required, reduce the voltage by 20% from specified test voltage with a duration limit of one second per test.

### 7.3.2 Power Stage

The DCR02 series of devices use a push-pull, center-tapped topology. The DCR02 devices switch at 400 kHz (divide-by-2 from an 800-kHz oscillator). The internal transformer's output is full wave rectified and filtered by the external 1- $\mu$ F ceramic capacitor connected to the  $V_{REC}$  pin. An internal low-dropout regulator provides a well-regulated output voltage over the operating range of the device.

### 7.3.3 Oscillator and Watchdog

The onboard, 800-kHz oscillator generates the switching frequency through a divide-by-2 circuit. The oscillator can be synchronized to other DCR02 device circuits or an external source, and is used to minimize system noise.

A watchdog circuit monitors the operation of the oscillator circuit. The oscillator can be disabled by pulling the SYNC pin low. When the SYNC pin goes low, the output pins transition into tri-state mode, which occurs within 2  $\mu$ s.

### 7.3.4 $\overline{\text{ERROR}}$ Flag

The DCR02 has an  $\overline{\text{ERROR}}$  pin which provides a *power good* flag, as long as the internal regulator is in regulation. If the  $\overline{\text{ERROR}}$  output is required, place a 10-k $\Omega$  resistor between the  $\overline{\text{ERROR}}$  pin and the output voltage.

## Feature Description (continued)

### 7.3.5 Synchronization

When more than one DC–DC converter is switching in an application, beat frequencies and other electrical interference can be generated. This interference occurs because of the small variations in switching frequencies between the DC–DC converters.

The DCR02 series of devices overcome this interference by allowing devices to be synchronized to one another. Synchronize up to eight devices by connecting the SYNC pins of each device, taking care to minimize the capacitance of tracking. Stray capacitance (greater than 3 pF) reduces the switching frequency, or can sometimes stop the oscillator circuit. The maximum recommended voltage applied to the SYNC pin is 3 V.

For an application that uses more than eight synchronized devices use an external device to drive the SYNC pins. [External Synchronization of the DCP01/02 Series of DC/DC Converters](#) (SBAA035) describes this configuration.

---

#### NOTE

During the start-up period, all synchronized devices draw maximum current from the input simultaneously. A ceramic capacitor must be connected close to each device's input pin. A 2.2- $\mu$ F ceramic capacitor is required.

---

### 7.3.6 Construction

The basic construction of the DCR02 series of devices is the same as standard integrated circuits. The molded package contains no substrate. The DCR02 series of devices are constructed using an IC, low dropout linear regulator, rectifier diodes, and a wound magnetic toroid on a leadframe. Because the package contains no solder, the devices do not require any special printed-circuit board (PCB) assembly processing. This architecture results in an isolated DC–DC converter with inherently high reliability.

### 7.3.7 Decoupling – Ripple Reduction

Due to the very low forward resistance of the DMOS switching transistors, high current demands are placed upon the input supply for a short time. By using a high quality, low Equivalent Series Resistance (ESR) ceramic input capacitor of 2.2- $\mu$ F, placed close to the IC supply input pins, the effects on the power supply can be minimized.

The high switching frequency of 400 kHz allows relatively small values of capacitors to be used for filtering the rectified output voltage. A good-quality, low-ESR, 1- $\mu$ F ceramic capacitor placed close to the VREC pin and output ground is required and reduces the ripple. The output at VREC is full wave rectified and produces a ripple of 800 kHz.

TI recommends that a 0.1- $\mu$ F, low-ESR ceramic capacitor is connected close to the output pin and ground to reduce noise on the output. The capacitor values listed are minimum values. If lower ripple is required, the filter capacitor must be increased in value to 2.2  $\mu$ F.

As with all switching power supplies, the best performance is obtained with low ESR ceramic capacitors connected close to the device pins. If low-ESR ceramic capacitors are not used, the ESR generates a voltage drop when the capacitor is supplying the load power. Often a larger capacitor is chosen for this purpose, when a low ESR, smaller capacitor would perform as well.

---

#### NOTE

TI does not recommend that the DCR02 be fitted using an IC socket, as this degrades performance.

---

## 7.4 Device Functional Modes

### 7.4.1 Device Disable and Enable

Each of the DCR02 series devices can be disabled or enabled by driving the SYNC pin using an open-drain CMOS gate. If the SYNC pin is pulled low, the DCR02 becomes disabled. The disable time depends upon the external loading. The internal disable function is implemented in 2  $\mu$ s. Removal of the pulldown causes the DCR02 to be enabled.

## Device Functional Modes (continued)

Capacitive loading on the SYNC pin must be minimized ( $\leq 3$  pF) to prevent a reduction in the oscillator frequency. [External Synchronization of the DCP01/02 Series of DC/DC Converters](#) (SBAA035) describes disable and enable control circuitry. This document contains information on how to null the effects of additional capacitance on the SYNC pin. The oscillator's frequency can be measured at  $V_{REC}$ , as this is the fundamental frequency of the ripple component.

### 7.4.2 Regulated Output Disable and Enable

The regulated output of the DCR02 can be disabled by pulling the ENABLE pin LOW. Disabling the output voltage this way still produces a voltage on the  $V_{REC}$  pin. When using the ENABLE control, TI recommends placing a 10-k $\Omega$  resistor between the  $V_{REC}$  and ENABLE pins. The ENABLE pin only controls the internal linear regulator.

If disabling the regulated output is not required, pull the ENABLE pin HIGH by shorting it directly to the  $V_{REC}$  pin. This enables the regulated output voltage, thus allowing the output to be controlled from the isolated side.

## 8 Application and Implementation

### NOTE

Information in the following applications sections is not part of the TI component specification, and TI does not warrant its accuracy or completeness. TI's customers are responsible for determining suitability of components for their purposes. Customers should validate and test their design implementation to confirm system functionality.

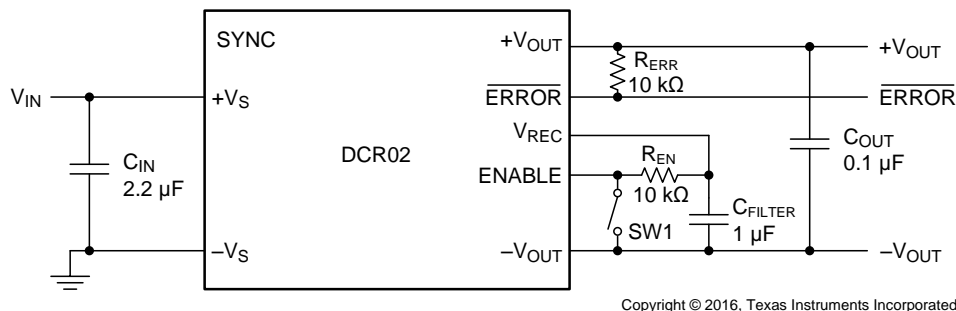
### 8.1 Application Information

The DCR02 devices offer up to 2 W of isolated, 5-V regulated output power from a 12-V or 24-V input supply. Applications requiring up to 1-kVrms of operational isolation benefits from the small size and ease-of-use of the DCR02 family of devices.

#### 8.1.1 DCR02 Single Voltage Output

The DCR02 can be used to provide a single voltage output by connecting the circuit as shown in [Figure 3](#). The  $\overline{\text{ERROR}}$  output signal is pulled up to the value of  $V_{\text{OUT}}$  for the particular DCR02 being used. The value of  $R_{\text{ERR}}$  depends on the loading on the  $\overline{\text{ERROR}}$  line; however, the total load on the  $\overline{\text{ERROR}}$  line must not exceed the value given in [Electrical Characteristics](#).

The output can be permanently enabled by connecting the ENABLE pin to the  $V_{\text{REC}}$  pin. The DCR02 can be enabled remotely by connecting the ENABLE pin to  $V_{\text{REC}}$  through a pull-up resistor ( $R_{\text{EN}}$ ); the value of this resistor is not critical for the DCR02, because only a small current flows. Switch SW1 can be used to pull the ENABLE pin low, thus disabling the output. The switching devices can be a bipolar transistor, FET, or a mechanical device; the main load that it senses is  $R_{\text{EN}}$ .



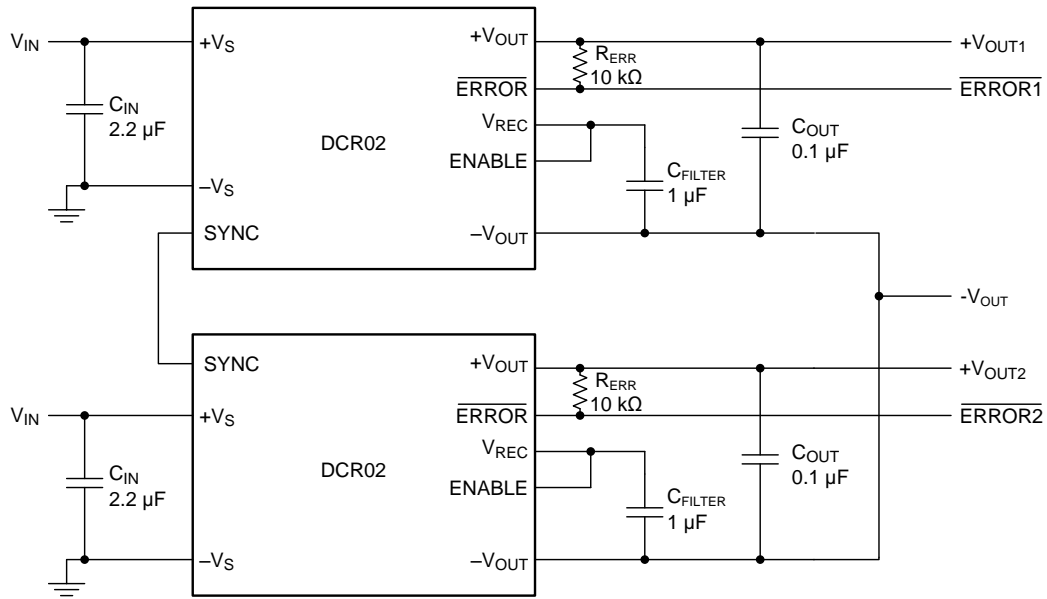
Low-ESR, ceramic capacitors are required for  $C_{\text{IN}}$ ,  $C_{\text{OUT}}$ , and  $C_{\text{FILTER}}$ .

**Figure 3. DCR02 Single Output Voltage**

#### 8.1.2 Generating Two Positive Output Voltages

Two DCR02s can be used to create two +5V output voltages, as shown in [Figure 4](#). The two DCR02s are connected in self-synchronization, thus locking the oscillators of both devices to a single frequency. The ERROR and ENABLE facilities can be used in a similar configuration for a single DCR02. The filter capacitors connected to the  $V_{\text{REC}}$  pins ( $C_{\text{FILTER}}$ ) must be kept separate from each other and connected in close proximity to the respective DCR02. If similar output voltages are being used, TI does not recommend that a single filter capacitor (with an increased capacitance) be used with both  $V_{\text{REC}}$  pins connected together, because this could result in the overloading of one of the devices.

Application Information (continued)



Copyright © 2016, Texas Instruments Incorporated

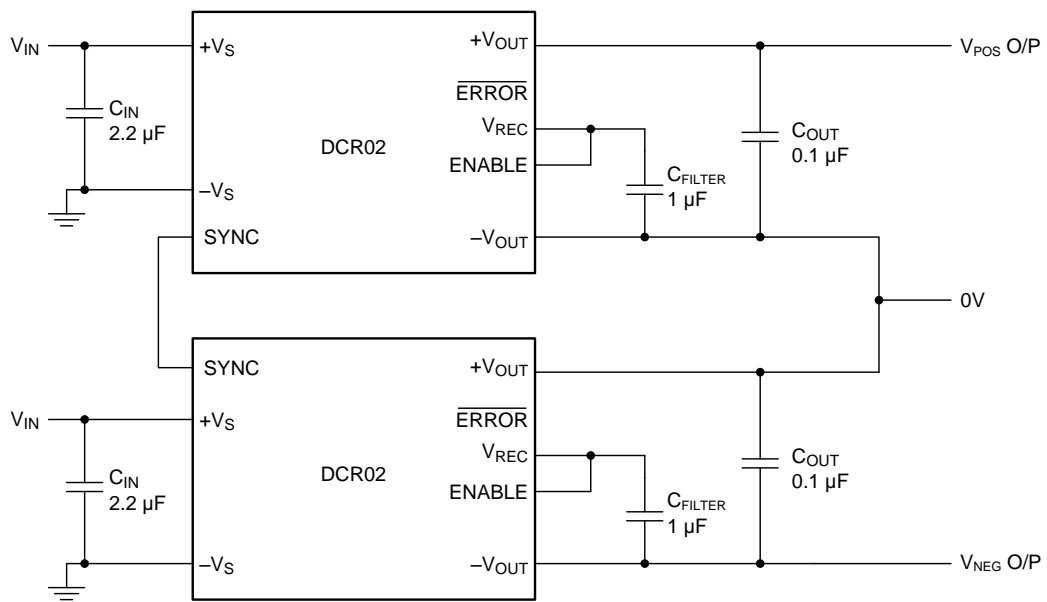
Low-ESR, ceramic capacitors are required for C<sub>IN</sub>, C<sub>OUT</sub>, and C<sub>FILTER</sub>.

Figure 4. Generating Two Positive Voltages from Self-Synchronized DCR02s

8.1.3 Generation of Dual Polarity Voltages from Two Self-Synchronized DCR02s

Two DCR02s can be configured to produce a dual polarity supply (that is, ±5 V); the circuit must be connected as shown in Figure 5.

It must be observed that both DCR02s are positive voltage regulators; therefore the  $\overline{\text{ERROR}}$ , ENABLE, and V<sub>REC</sub> pins are relative to their respective devices, 0 V, and must not be connected together.

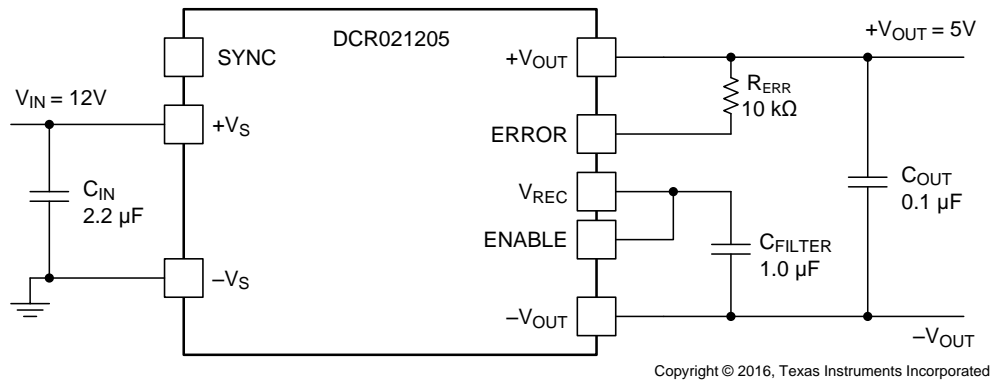


Copyright © 2016, Texas Instruments Incorporated

Low-ESR, ceramic capacitors are required for C<sub>IN</sub>, C<sub>OUT</sub>, and C<sub>FILTER</sub>.

Figure 5. Dual Polarity Voltage Generation from Two Self-Synchronized DCR02s

## 8.2 Typical Application



Copyright © 2016, Texas Instruments Incorporated

Low-ESR, ceramic capacitors are required for  $C_{IN}$ ,  $C_{OUT}$ , and  $C_{FILTER}$ .

**Figure 6. DCR02 Typical Schematic**

### 8.2.1 Design Requirements

For this design example, use the parameters listed in [Table 1](#) and follow the design procedure.

**Table 1. Design Example Parameters**

DESIGN PARAMETER	VALUE
Input voltage, $V_{IN}$	12 V typical
Output voltage, $V_{OUT}$	5 V regulated
Output current rating	400 mA
Isolation	1000-V operational

### 8.2.2 Detailed Design Procedure

#### 8.2.2.1 Input Capacitor

For this design, a 2.2- $\mu$ F, ceramic capacitor is required for the input decoupling capacitor.

#### 8.2.2.2 Output Capacitor

For this design, a 0.1- $\mu$ F, ceramic capacitor is required for between  $+V_{OUT}$  and  $-V_{OUT}$ .

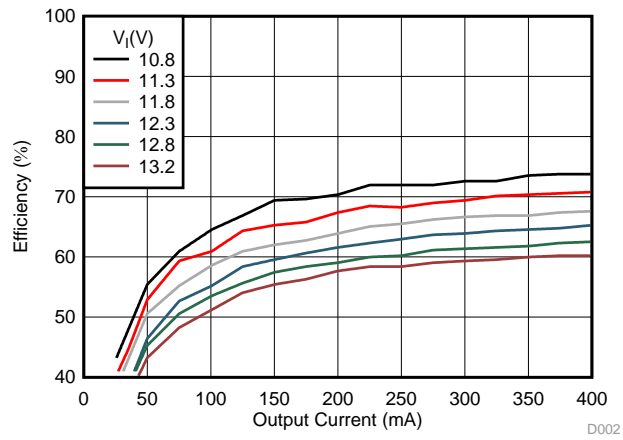
#### 8.2.2.3 Filter Capacitor

A high-quality, low-ESR, 1- $\mu$ F, ceramic capacitor placed close to the VREC pin and output ground is required to reduce output voltage ripple.

#### 8.2.2.4 $\overline{ERROR}$ Flag

Place a 10-k $\Omega$  resistor between the  $\overline{ERROR}$  pin and the output voltage to provide a *power good* signal when the internal regulator is in regulation.

**8.2.3 Application Curves**



**Figure 7. DCR021205 Efficiency vs Output Current**

## 9 Power Supply Recommendations

The DCR02 is a switching power supply, and as such can place high peak current demands on the input supply. To avoid the supply falling momentarily during the fast switching pulses, ground and power planes provide a low-impedance path for the input and output power. For the output, the positive and negative voltage outputs conduct through wide traces to minimize losses. A good-quality, low-ESR, ceramic capacitor placed as close as practical across the input reduces reflected ripple and ensure a smooth start-up.

## 10 Layout

### 10.1 Layout Guidelines

Carefully consider the layout of the PCB in order for the best results to be obtained.

Input and output power and ground planes provide a low-impedance path for the input and output power. For the output, the positive and negative voltage outputs conduct through wide traces to minimize losses.

A good-quality, low-ESR, ceramic capacitor placed as close as practical across the input reduces reflected ripple and ensure a smooth start-up.

A good-quality, low-ESR, ceramic capacitor placed as close as practical across the rectifier output terminal and output ground gives the best ripple and noise performance.

The location of the decoupling capacitors in close proximity to their respective pins ensures low losses due to the effects of stray inductance, thus improving the ripple performance. This location is of particular importance to the input decoupling capacitor, because this capacitor supplies the transient current associated with the fast switching waveforms of the power drive circuits.

If the SYNC pin is being used, the tracking between device SYNC pins must be short to avoid stray capacitance. Never connect a capacitor to the SYNC pin. If the SYNC pin is not being used it is advisable to place a guard ring (connected to input ground) around this pin to avoid any noise pickup. Ensure that no other trace is in close proximity to this trace SYNC trace to decrease the stray capacitance on this pin. The stray capacitance affects the performance of the oscillator.

Figure 8 and Figure 9 show a typical layout for the SOP package DCR02 device. The layout shows proper placement of capacitors and power planes. Figure 10 shows a schematic for a single DCR02, SOP package device.

### 10.2 Layout Examples

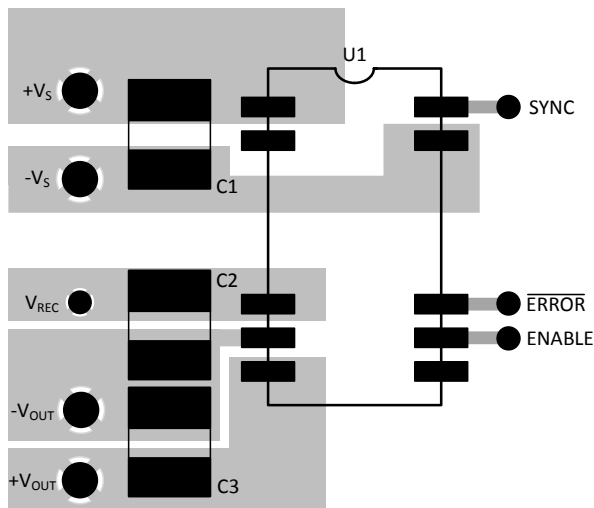


Figure 8. PCB Layout Example, Component-Side View

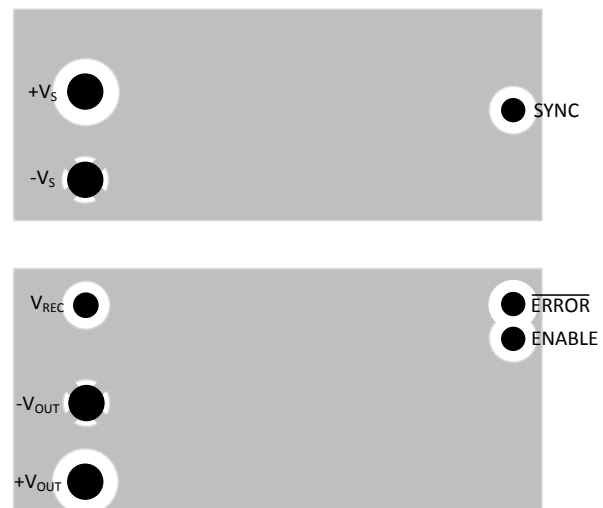
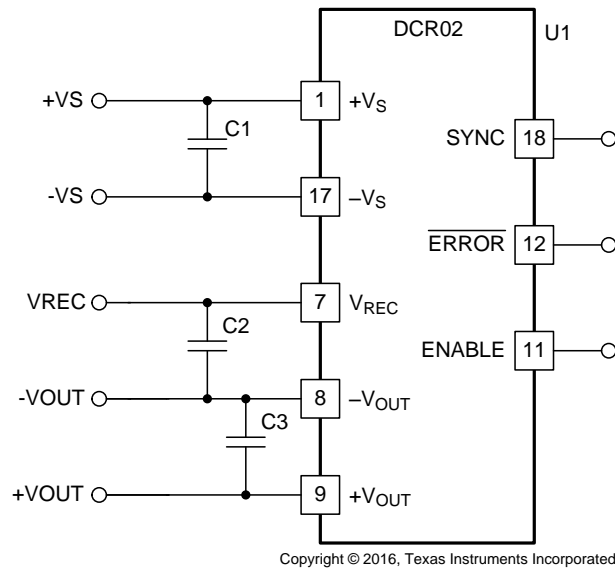


Figure 9. PCB Layout Example, Non-Component-Side View

**Layout Examples (continued)**

**Figure 10. DCR02 PCB Schematic, U Package**
**10.3 Thermal Consideration**

Due to the high power density of this device, it is advisable to provide a ground plane on the output. The output regulator is mounted on a copper leadframe, and a ground plane serves as an efficient heatsink.

## 11 Device and Documentation Support

### 11.1 Documentation Support

#### 11.1.1 Related Documentation

For related documentation see the following:

[External Synchronization of the DCP01/02 Series of DC/DC Converters \(SBAA035\)](#)

### 11.2 Related Links

The table below lists quick access links. Categories include technical documents, support and community resources, tools and software, and quick access to sample or buy.

**Table 2. Related Links**

PARTS	PRODUCT FOLDER	SAMPLE & BUY	TECHNICAL DOCUMENTS	TOOLS & SOFTWARE	SUPPORT & COMMUNITY
DCR021205	<a href="#">Click here</a>	<a href="#">Click here</a>	<a href="#">Click here</a>	<a href="#">Click here</a>	<a href="#">Click here</a>
DCR022405	<a href="#">Click here</a>	<a href="#">Click here</a>	<a href="#">Click here</a>	<a href="#">Click here</a>	<a href="#">Click here</a>

### 11.3 Receiving Notification of Documentation Updates

To receive notification of documentation updates, navigate to the device product folder on ti.com. In the upper right corner, click on *Alert me* to register and receive a weekly digest of any product information that has changed. For change details, review the revision history included in any revised document.

### 11.4 Community Resources

The following links connect to TI community resources. Linked contents are provided "AS IS" by the respective contributors. They do not constitute TI specifications and do not necessarily reflect TI's views; see TI's [Terms of Use](#).

**TI E2E™ Online Community** *TI's Engineer-to-Engineer (E2E) Community*. Created to foster collaboration among engineers. At e2e.ti.com, you can ask questions, share knowledge, explore ideas and help solve problems with fellow engineers.

**Design Support** *TI's Design Support* Quickly find helpful E2E forums along with design support tools and contact information for technical support.

### 11.5 Trademarks

E2E is a trademark of Texas Instruments.  
Underwriters Laboratories (UL) is a trademark of UL LLC.  
All other trademarks are the property of their respective owners.

### 11.6 Electrostatic Discharge Caution



These devices have limited built-in ESD protection. The leads should be shorted together or the device placed in conductive foam during storage or handling to prevent electrostatic damage to the MOS gates.

### 11.7 Glossary

[SLYZ022](#) — *TI Glossary*.

This glossary lists and explains terms, acronyms, and definitions.

## 12 Mechanical, Packaging, and Orderable Information

The following pages include mechanical, packaging, and orderable information. This information is the most current data available for the designated devices. This data is subject to change without notice and revision of this document. For browser-based versions of this data sheet, refer to the left-hand navigation.

**PACKAGING INFORMATION**

Orderable Device	Status (1)	Package Type	Package Drawing	Pins	Package Qty	Eco Plan (2)	Lead/Ball Finish (6)	MSL Peak Temp (3)	Op Temp (°C)	Device Marking (4/5)	Samples
DCR021205P	ACTIVE	PDIP	NVE	10	20	Pb-Free (RoHS)	CU NIPDAU	N / A for Pkg Type	-40 to 70	DCR021205P	<a href="#">Samples</a>
DCR021205P-U	ACTIVE	SOP	DVS	10	20	Pb-Free (RoHS)	CU NIPDAU	Level-3-260C-168 HR	-40 to 70	DCR021205P-U	<a href="#">Samples</a>
DCR022405P	ACTIVE	PDIP	NVE	10	20	Pb-Free (RoHS)	CU NIPDAU	N / A for Pkg Type	-40 to 70	DCR022405P	<a href="#">Samples</a>
DCR022405P-U	ACTIVE	SOP	DVS	10	20	Pb-Free (RoHS)	CU NIPDAU	Level-3-260C-168 HR	-40 to 70	DCR022405P-U	<a href="#">Samples</a>
DCR022405P-U/700	ACTIVE	SOP	DVS	10	700	Pb-Free (RoHS)	CU NIPDAU	Level-3-260C-168 HR	0 to 0	DCR022405P-U	<a href="#">Samples</a>

(1) The marketing status values are defined as follows:

**ACTIVE:** Product device recommended for new designs.

**LIFEBUY:** TI has announced that the device will be discontinued, and a lifetime-buy period is in effect.

**NRND:** Not recommended for new designs. Device is in production to support existing customers, but TI does not recommend using this part in a new design.

**PREVIEW:** Device has been announced but is not in production. Samples may or may not be available.

**OBSOLETE:** TI has discontinued the production of the device.

(2) Eco Plan - The planned eco-friendly classification: Pb-Free (RoHS), Pb-Free (RoHS Exempt), or Green (RoHS & no Sb/Br) - please check <http://www.ti.com/productcontent> for the latest availability information and additional product content details.

**TBD:** The Pb-Free/Green conversion plan has not been defined.

**Pb-Free (RoHS):** TI's terms "Lead-Free" or "Pb-Free" mean semiconductor products that are compatible with the current RoHS requirements for all 6 substances, including the requirement that lead not exceed 0.1% by weight in homogeneous materials. Where designed to be soldered at high temperatures, TI Pb-Free products are suitable for use in specified lead-free processes.

**Pb-Free (RoHS Exempt):** This component has a RoHS exemption for either 1) lead-based flip-chip solder bumps used between the die and package, or 2) lead-based die adhesive used between the die and leadframe. The component is otherwise considered Pb-Free (RoHS compatible) as defined above.

**Green (RoHS & no Sb/Br):** TI defines "Green" to mean Pb-Free (RoHS compatible), and free of Bromine (Br) and Antimony (Sb) based flame retardants (Br or Sb do not exceed 0.1% by weight in homogeneous material)

(3) MSL, Peak Temp. - The Moisture Sensitivity Level rating according to the JEDEC industry standard classifications, and peak solder temperature.

(4) There may be additional marking, which relates to the logo, the lot trace code information, or the environmental category on the device.

(5) Multiple Device Markings will be inside parentheses. Only one Device Marking contained in parentheses and separated by a "~" will appear on a device. If a line is indented then it is a continuation of the previous line and the two combined represent the entire Device Marking for that device.

<sup>(6)</sup> Lead/Ball Finish - Orderable Devices may have multiple material finish options. Finish options are separated by a vertical ruled line. Lead/Ball Finish values may wrap to two lines if the finish value exceeds the maximum column width.

**Important Information and Disclaimer:**The information provided on this page represents TI's knowledge and belief as of the date that it is provided. TI bases its knowledge and belief on information provided by third parties, and makes no representation or warranty as to the accuracy of such information. Efforts are underway to better integrate information from third parties. TI has taken and continues to take reasonable steps to provide representative and accurate information but may not have conducted destructive testing or chemical analysis on incoming materials and chemicals. TI and TI suppliers consider certain information to be proprietary, and thus CAS numbers and other limited information may not be available for release.

In no event shall TI's liability arising out of such information exceed the total purchase price of the TI part(s) at issue in this document sold by TI to Customer on an annual basis.

## TAPE AND REEL INFORMATION



### QUADRANT ASSIGNMENTS FOR PIN 1 ORIENTATION IN TAPE



\*All dimensions are nominal

Device	Package Type	Package Drawing	Pins	SPQ	Reel Diameter (mm)	Reel Width W1 (mm)	A0 (mm)	B0 (mm)	K0 (mm)	P1 (mm)	W (mm)	Pin1 Quadrant
DCR022405P-U/700	SOP	DVS	10	700	330.0	44.4	10.85	23.5	5.25	16.0	44.0	Q1

TAPE AND REEL BOX DIMENSIONS

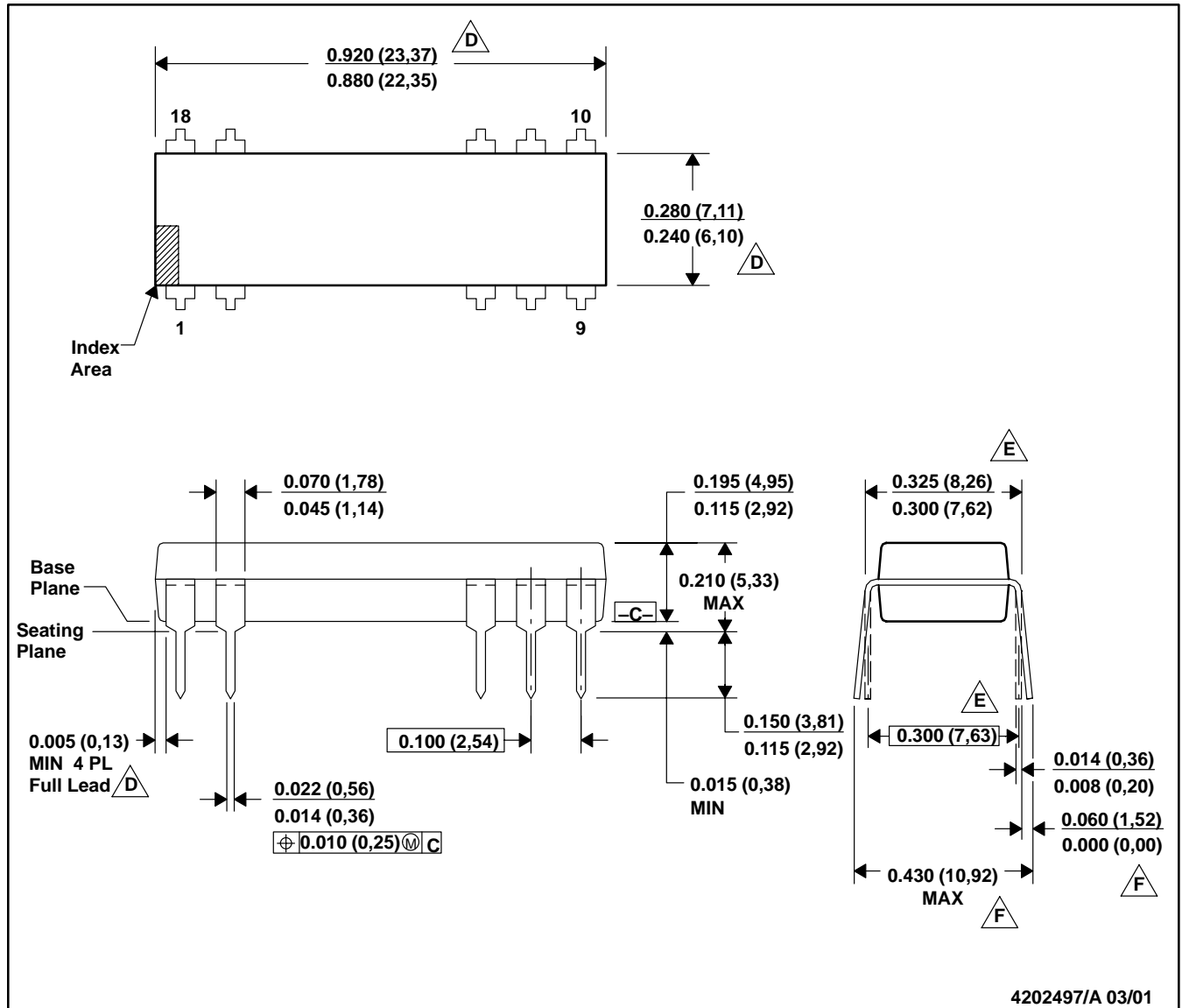


\*All dimensions are nominal

Device	Package Type	Package Drawing	Pins	SPQ	Length (mm)	Width (mm)	Height (mm)
DCR022405P-U/700	SOP	DVS	10	700	346.0	346.0	61.0

## NVE (R-PDIP-T10/18)

## PLASTIC DUAL-IN-LINE

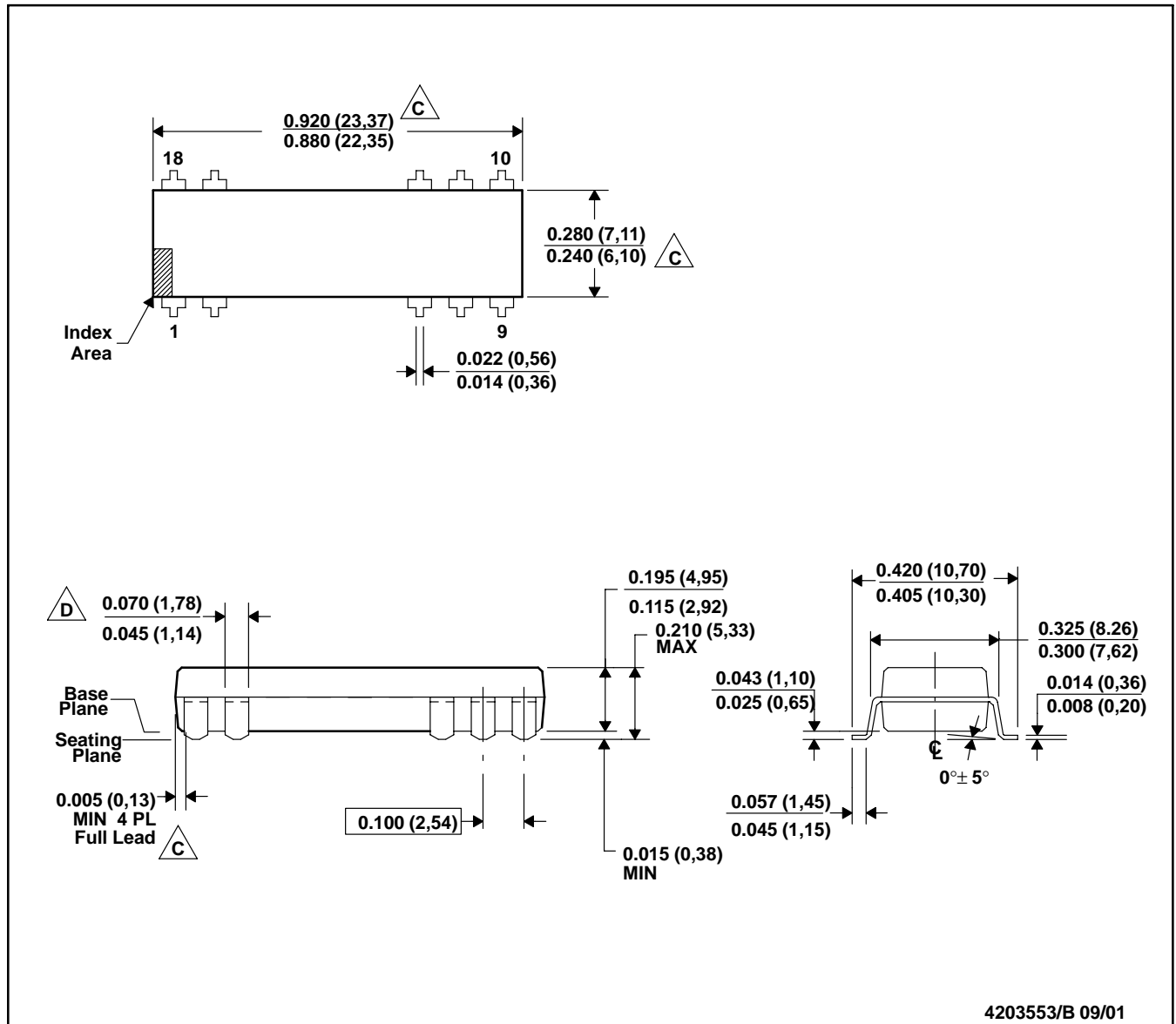


4202497/A 03/01

- NOTES: A. All linear dimensions are in inches (millimeters).  
 B. This drawing is subject to change without notice.  
 C. Falls within JEDEC MS-001-AC with the exception of lead count.  
 $\triangle D$ . Dimensions do not include mold flash or protrusions. Mold flash or protrusions shall not exceed 0.010 (0,25).  
 $\triangle E$ . Dimensions measured with the leads constrained to be perpendicular to Datum C.  
 $\triangle F$ . Dimensions are measured at the lead tips with the leads unconstrained.  
 G. A visual index feature must be located within the cross-hatched area.

## DVS (R-PDSO-G10/18)

## PLASTIC SMALL-OUTLINE PACKAGE



- NOTES: A. All linear dimensions are in inches (millimeters).  
 B. This drawing is subject to change without notice.  
 C. Dimensions do not include mold flash or protrusions.  
 Mold flash or protrusions shall not exceed 0.010 (0,25).  
 D. Maximum dimension does not include dambar protrusions. Dambar protrusions shall not exceed 0.010 (0,25)  
 E. Distance between leads including dambar protrusions to be 0.005 (0,13) minimum.  
 F. A visual index feature must be located within the cross-hatched area.  
 G. For automatic insertion, any raised irregularity on the top surface (step, mesa, etc.) shall be symmetrical about the lateral and longitudinal package centerlines.

## IMPORTANT NOTICE

Texas Instruments Incorporated (TI) reserves the right to make corrections, enhancements, improvements and other changes to its semiconductor products and services per JESD46, latest issue, and to discontinue any product or service per JESD48, latest issue. Buyers should obtain the latest relevant information before placing orders and should verify that such information is current and complete.

TI's published terms of sale for semiconductor products (<http://www.ti.com/sc/docs/stdterms.htm>) apply to the sale of packaged integrated circuit products that TI has qualified and released to market. Additional terms may apply to the use or sale of other types of TI products and services.

Reproduction of significant portions of TI information in TI data sheets is permissible only if reproduction is without alteration and is accompanied by all associated warranties, conditions, limitations, and notices. TI is not responsible or liable for such reproduced documentation. Information of third parties may be subject to additional restrictions. Resale of TI products or services with statements different from or beyond the parameters stated by TI for that product or service voids all express and any implied warranties for the associated TI product or service and is an unfair and deceptive business practice. TI is not responsible or liable for any such statements.

Buyers and others who are developing systems that incorporate TI products (collectively, "Designers") understand and agree that Designers remain responsible for using their independent analysis, evaluation and judgment in designing their applications and that Designers have full and exclusive responsibility to assure the safety of Designers' applications and compliance of their applications (and of all TI products used in or for Designers' applications) with all applicable regulations, laws and other applicable requirements. Designer represents that, with respect to their applications, Designer has all the necessary expertise to create and implement safeguards that (1) anticipate dangerous consequences of failures, (2) monitor failures and their consequences, and (3) lessen the likelihood of failures that might cause harm and take appropriate actions. Designer agrees that prior to using or distributing any applications that include TI products, Designer will thoroughly test such applications and the functionality of such TI products as used in such applications.

TI's provision of technical, application or other design advice, quality characterization, reliability data or other services or information, including, but not limited to, reference designs and materials relating to evaluation modules, (collectively, "TI Resources") are intended to assist designers who are developing applications that incorporate TI products; by downloading, accessing or using TI Resources in any way, Designer (individually or, if Designer is acting on behalf of a company, Designer's company) agrees to use any particular TI Resource solely for this purpose and subject to the terms of this Notice.

TI's provision of TI Resources does not expand or otherwise alter TI's applicable published warranties or warranty disclaimers for TI products, and no additional obligations or liabilities arise from TI providing such TI Resources. TI reserves the right to make corrections, enhancements, improvements and other changes to its TI Resources. TI has not conducted any testing other than that specifically described in the published documentation for a particular TI Resource.

Designer is authorized to use, copy and modify any individual TI Resource only in connection with the development of applications that include the TI product(s) identified in such TI Resource. NO OTHER LICENSE, EXPRESS OR IMPLIED, BY ESTOPPEL OR OTHERWISE TO ANY OTHER TI INTELLECTUAL PROPERTY RIGHT, AND NO LICENSE TO ANY TECHNOLOGY OR INTELLECTUAL PROPERTY RIGHT OF TI OR ANY THIRD PARTY IS GRANTED HEREIN, including but not limited to any patent right, copyright, mask work right, or other intellectual property right relating to any combination, machine, or process in which TI products or services are used. Information regarding or referencing third-party products or services does not constitute a license to use such products or services, or a warranty or endorsement thereof. Use of TI Resources may require a license from a third party under the patents or other intellectual property of the third party, or a license from TI under the patents or other intellectual property of TI.

TI RESOURCES ARE PROVIDED "AS IS" AND WITH ALL FAULTS. TI DISCLAIMS ALL OTHER WARRANTIES OR REPRESENTATIONS, EXPRESS OR IMPLIED, REGARDING RESOURCES OR USE THEREOF, INCLUDING BUT NOT LIMITED TO ACCURACY OR COMPLETENESS, TITLE, ANY EPIDEMIC FAILURE WARRANTY AND ANY IMPLIED WARRANTIES OF MERCHANTABILITY, FITNESS FOR A PARTICULAR PURPOSE, AND NON-INFRINGEMENT OF ANY THIRD PARTY INTELLECTUAL PROPERTY RIGHTS. TI SHALL NOT BE LIABLE FOR AND SHALL NOT DEFEND OR INDEMNIFY DESIGNER AGAINST ANY CLAIM, INCLUDING BUT NOT LIMITED TO ANY INFRINGEMENT CLAIM THAT RELATES TO OR IS BASED ON ANY COMBINATION OF PRODUCTS EVEN IF DESCRIBED IN TI RESOURCES OR OTHERWISE. IN NO EVENT SHALL TI BE LIABLE FOR ANY ACTUAL, DIRECT, SPECIAL, COLLATERAL, INDIRECT, PUNITIVE, INCIDENTAL, CONSEQUENTIAL OR EXEMPLARY DAMAGES IN CONNECTION WITH OR ARISING OUT OF TI RESOURCES OR USE THEREOF, AND REGARDLESS OF WHETHER TI HAS BEEN ADVISED OF THE POSSIBILITY OF SUCH DAMAGES.

Unless TI has explicitly designated an individual product as meeting the requirements of a particular industry standard (e.g., ISO/TS 16949 and ISO 26262), TI is not responsible for any failure to meet such industry standard requirements.

Where TI specifically promotes products as facilitating functional safety or as compliant with industry functional safety standards, such products are intended to help enable customers to design and create their own applications that meet applicable functional safety standards and requirements. Using products in an application does not by itself establish any safety features in the application. Designers must ensure compliance with safety-related requirements and standards applicable to their applications. Designer may not use any TI products in life-critical medical equipment unless authorized officers of the parties have executed a special contract specifically governing such use. Life-critical medical equipment is medical equipment where failure of such equipment would cause serious bodily injury or death (e.g., life support, pacemakers, defibrillators, heart pumps, neurostimulators, and implantables). Such equipment includes, without limitation, all medical devices identified by the U.S. Food and Drug Administration as Class III devices and equivalent classifications outside the U.S.

TI may expressly designate certain products as completing a particular qualification (e.g., Q100, Military Grade, or Enhanced Product). Designers agree that it has the necessary expertise to select the product with the appropriate qualification designation for their applications and that proper product selection is at Designers' own risk. Designers are solely responsible for compliance with all legal and regulatory requirements in connection with such selection.

Designer will fully indemnify TI and its representatives against any damages, costs, losses, and/or liabilities arising out of Designer's non-compliance with the terms and provisions of this Notice.

## Looking for pricing, stock, or lifecycle information?

Click below to explore more details on WIN SOURCE:

 [View DCR022405P-U/700 on WIN SOURCE](#)

 [Texas Instruments](#) Information

## Optimize Your Supply Chain with WIN SOURCE Solutions

-  Global Sourcing Solution
-  Obsolete Management
-  Cost Control Management
-  Shortage Management
-  Alternative Solution
-  Excess Inventory Management