



**THE DATASHEET OF  
DG2732DQ-T1-E3**





# Low Voltage, 0.4 Ω, Dual SPDT Analog Switch

## DESCRIPTION

The DG2731/2732/2733 are low voltage, low on-resistance, dual single-pole/double-throw (SPDT) monolithic CMOS analog switches designed for high performance switching of analog signals. Combining low-power, high speed, low on-resistance, and small package size, the DG2731/2732/2733 are ideal for portable and battery power applications.

The DG2731/2732/2733 have an operation range from 1.6 V to 4.3 V single supply. The DG2731 and DG2732 have two separate control pins with reverse control logic. The DG2733 has an EN pin to enable the device when the logic is high.

The DG2731/2732/2733 are 1.6-V logic compatible, allowing the easy interface with low voltage DSP or MCU control logic and ideal for one cell Li-ion battery direct power.

The switch conducts signals within power rails equally well in both directions when on, and blocks up to the power supply level when off. Break-before-make is guaranteed.

The DG2731/2732/2733 are built on Vishay Siliconix's sub micron CMOS low voltage process technology and provides greater than 300 mA latch-up protection, as tested per JESD78.

As a committed partner to the community and the environment, Vishay Siliconix manufactures this product with lead (Pb)-free device terminations. DG2731/2732/2733 are offered in a DFN or MSOP package. The DFN package has a nickel-palladium-gold device termination and is represented by the lead (Pb)-free "-E4" suffix. The MSOP package uses 100% matte Tin device termination and is represented by the lead (Pb)-free "-E3" suffix. Both the matte Tin and nickel-palladium-gold device terminations meet all JEDEC standards for reflow and MSL ratings.

## FEATURES

- Low Voltage Operation (1.65 V to 4.3 V)
- Low On-Resistance -  $r_{ON}$ : 0.3 Ω @ 3.6 V
- Fast Switching:  $T_{ON}$  = 50 ns @ 4.3 V
- $T_{OFF}$  = 14 ns @ 4.3 V
- Latch-Up Current > 300 mA (JESD78)



RoHS COMPLIANT

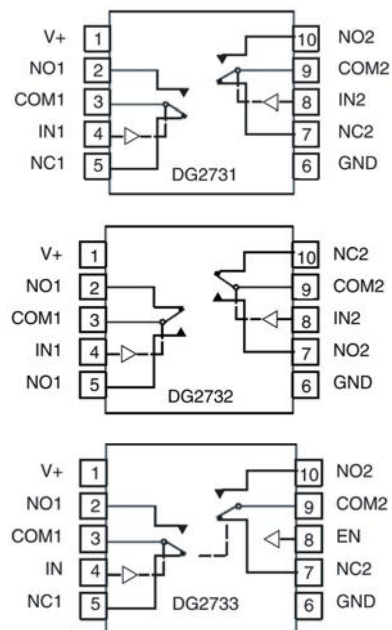
## BENEFITS

- Reduced Power Consumption
- High Accuracy
- Reduce Board Space
- TTL/1.6-V Logic Compatible

## APPLICATIONS

- Cellular Phones
- Speaker Headset Switching
- Audio and Video Signal Routing
- PCMCIA Cards
- Battery Operated Systems

## FUNCTIONAL BLOCK DIAGRAM AND PIN CONFIGURATION



TRUTH TABLE			
Logic	EN (DG2733 only)	NC1, 2	NO1, 2
0	1	ON	OFF
1	1	OFF	ON
0	0	OFF	OFF
1	0	OFF	OFF

ORDERING INFORMATION		
Temp Range	Package	Part Number
-40 to 85°C	MSOP-10	DG2731DQ-T1-E3 DG2732DQ-T1-E3 DG2733DQ-T1-E3
	DFN-10	DG2731DN-T1-E4 DG2732DN-T1-E4 DG2733DN-T1-E4

ABSOLUTE MAXIMUM RATINGS $T_A = 25\text{ }^\circ\text{C}$ , unless otherwise noted				
Parameter		Symbol	Limit	Unit
Reference to GND	V+		-0.3 to 5.0	V
	IN, COM, NC, NO <sup>a</sup>		-0.3 to (V <sup>+</sup> + 0.3)	
Current (Any terminal except NO, NC or COM)			30	mA
Continuous Current (NO, NC, or COM)			±250	
Peak Current (Pulsed at 1 ms, 10 % duty cycle)			±500	
Storage Temperature (D Suffix)			-65 to 150	°C
Package Solder Reflow Conditions <sup>d</sup>	10-PIN MSOP			
	10-PIN DFN			
Power Dissipation (Packages) <sup>b</sup>	MSOP-10 <sup>c</sup>		320	mW
	DFN-10 <sup>d</sup>		1191	

Notes

- a. Signals on NC, NO, or COM or IN exceeding V<sub>+</sub> will be clamped by internal diodes. Limit forward diode current to maximum current ratings.
- b. All leads welded or soldered to PC Board.
- c. Derate 4.0 mW/C above 70°C
- d. Derate 14.9 mW/C above 70°C
- e. Manual soldering with iron is not recommended for leadless components. The QFN is a leadless package. The end of the lead terminal is exposed copper (not plated) as a result of the singulation process in manufacturing. A solder fillet at the exposed copper lip cannot be guaranteed and is not required to ensure adequate bottom side solder interconnection.

SPECIFICATIONS (V <sub>+</sub> = 1.8 V)							
Parameter	Symbol	Test Condition Otherwise Unless Specified V <sub>+</sub> = 1.8 V, V <sub>IN</sub> = 0.4 or 1.4 V <sup>e</sup>	Temp <sup>a</sup>	Limits -40 to 85°C			Unit
				Min <sup>b</sup>	Typ <sup>c</sup>	Max <sup>b</sup>	
<b>Analog Switch</b>							
Analog Signal Range <sup>d</sup>	V <sub>NO</sub> , V <sub>NC</sub> , V <sub>COM</sub>		Full	0		V <sub>+</sub>	V
On-Resistance	r <sub>ON</sub>	V <sub>+</sub> = 1.8 V, V <sub>COM</sub> = 0.9 V, I <sub>NO</sub> , I <sub>NC</sub> = 100 mA	Room		0.7	1.0	Ω
			Full			1.2	
<b>Digital Control</b>							
Input High Voltage	V <sub>INH</sub>		Full	1.4			V
Input Low Voltage	V <sub>INL</sub>		Full			0.4	
Input Capacitance	C <sub>in</sub>		Full		4		pF
<b>Power Supply</b>							
Power Supply Current	I <sub>+</sub>	V <sub>IN</sub> = 0 or V <sub>+</sub>	Full			1.0	μA



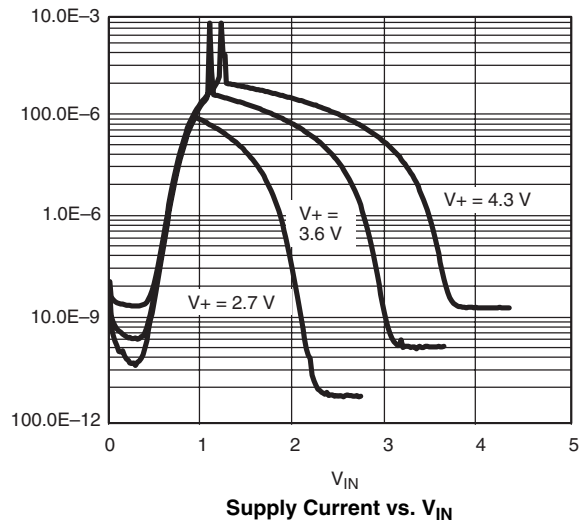
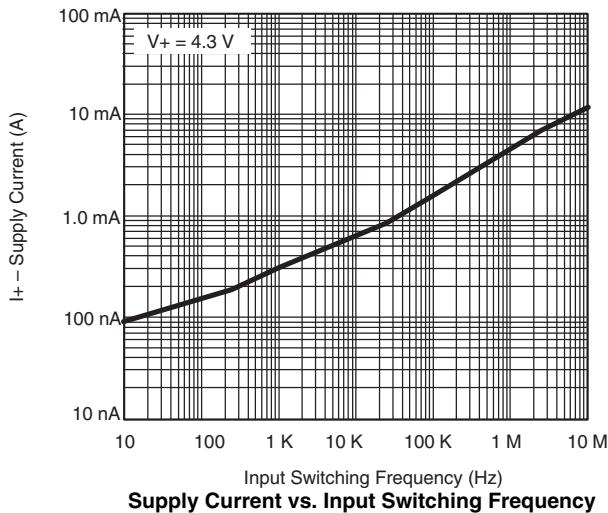
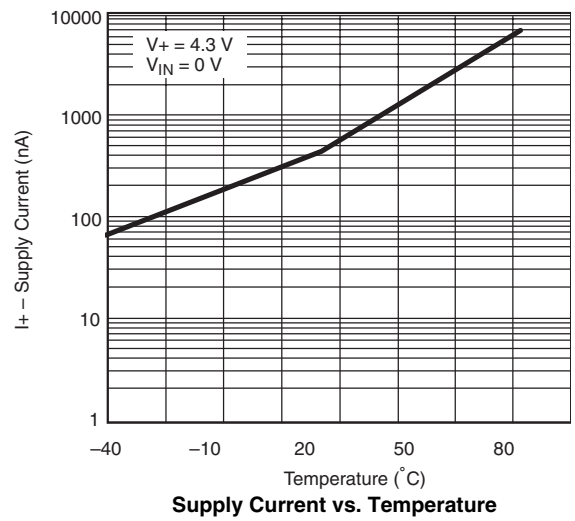
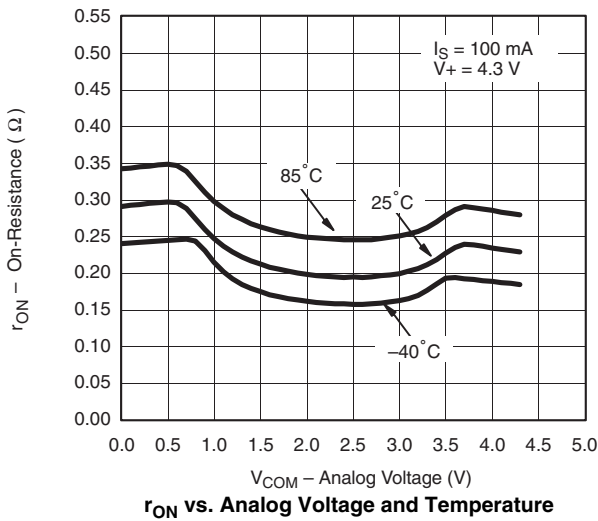
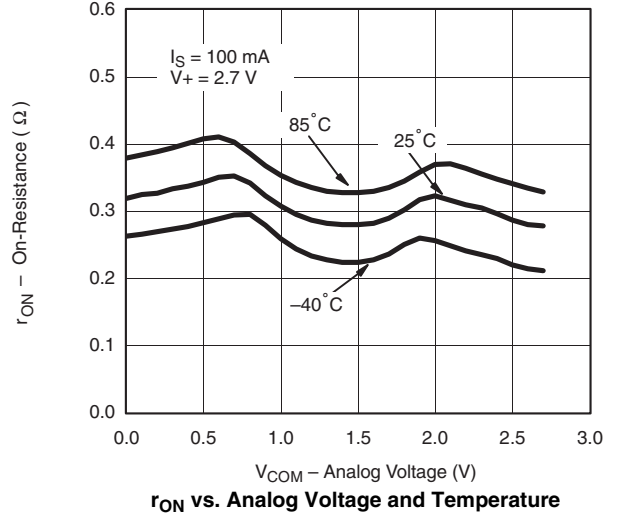
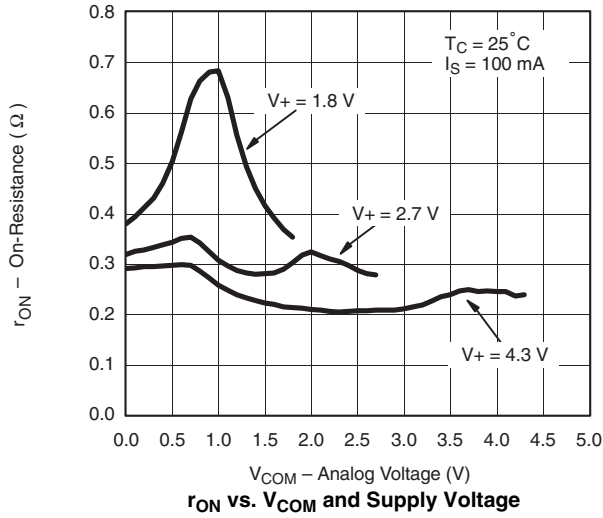
SPECIFICATIONS (V+ = 3 V)							
Parameter	Symbol	Test Condition Otherwise Unless Specified V+ = 3 V, ±10 %, V <sub>IN</sub> = 0.5 or 1.4 V <sup>e</sup>	Temp <sup>a</sup>	Limits -40 to 85°C			Unit
				Min <sup>b</sup>	Typ <sup>c</sup>	Max <sup>b</sup>	
<b>Analog Switch</b>							
Analog Signal Range <sup>d</sup>	V <sub>NO</sub> , V <sub>NC</sub> , V <sub>COM</sub>		Full	0		V+	V
On-Resistance	r <sub>ON</sub>	V+ = 2.7 V, V <sub>COM</sub> = 0.5 V, I <sub>NO</sub> , I <sub>NC</sub> = 100 mA	Room		0.35	0.45	Ω
		V+ = 2.7 V, V <sub>COM</sub> = 1.5 V, I <sub>NO</sub> , I <sub>NC</sub> = 100 mA	Room		0.3		
r <sub>ON</sub> Match <sup>d</sup>	Δr <sub>ON</sub>	V+ = 2.7 V, V <sub>COM</sub> = 0.5 to 1.5 V, I <sub>NO</sub> , I <sub>NC</sub> = 100 mA	Full			0.6	
Switch Off Leakage Current	I <sub>NO(off)</sub> , I <sub>NC(off)</sub>	V+ = 3.3 V, V <sub>NO</sub> , V <sub>NC</sub> = 0.3 V / 4.0 V, V <sub>COM</sub> = 3.0 V / 0.3 V	Room	-1		1	nA
	I <sub>COM(off)</sub>		Full	-10		10	
Channel-On Leakage Current	I <sub>COM(on)</sub>	V+ = 3.3 V, V <sub>NO</sub> , V <sub>NC</sub> = V <sub>COM</sub> = 3.0 V / 0.3 V	Room	-1		1	
			Full	-10		10	
<b>Digital Control</b>							
Input High Voltage	V <sub>INH</sub>		Full	1.4			V
Input Low Voltage	V <sub>INL</sub>		Full			0.5	
Input Capacitance	C <sub>in</sub>		Full		5		pF
Input Current	I <sub>INL</sub> or I <sub>INH</sub>	V <sub>IN</sub> = 0 or V+	Full	-1		1	μA
<b>Dynamic Characteristics</b>							
Turn-On Time	t <sub>ON</sub>	V+ = 3.6 V V <sub>NO</sub> or V <sub>NC</sub> = 1.5 V, R <sub>L</sub> = 50 Ω, C <sub>L</sub> = 35 pF	Room		85	110	ns
Turn-Off Time	t <sub>OFF</sub>		Full			140	
			Room		17	30	
Break-Before-Make Time	t <sub>BBM</sub>		Full	10		35	
Charge Injection <sup>d</sup>	Q <sub>INJ</sub>	C <sub>L</sub> = 1 nF, V <sub>GEN</sub> = 0 V, R <sub>GEN</sub> = 0 Ω	Room		9		pC
Off-Isolation <sup>d</sup>	O <sub>IRR</sub>	R <sub>L</sub> = 50 Ω, C <sub>L</sub> = 5 pF, f = 100 kHz	Room		-75		dB
Crosstalk <sup>d</sup>	X <sub>TALK</sub>		Room		-75		
N <sub>O</sub> , N <sub>C</sub> Off Capacitance <sup>d</sup>	C <sub>NO(off)</sub>	V <sub>IN</sub> = 0 or V+, f = 1 MHz	Room		104		pF
	C <sub>NC(off)</sub>		Room		104		
Channel On Capacitance <sup>d</sup>	C <sub>NO(on)</sub>		Room		230		
	C <sub>NC(on)</sub>		Room		230		
<b>Power Supply</b>							
Power Supply Range	V+			2.7		3.3	V
Power Supply Current	I+	V <sub>IN</sub> = 0 or V+	Full			1.0	μA
Turn-On Time DG2733 (EN)	t <sub>ON(EN)</sub>	V+ = 3.6 V V <sub>NO</sub> or V <sub>NC</sub> = 1.5 V, R <sub>L</sub> = 50 Ω, C <sub>L</sub> = 35 pF	Room		79	105	ns
Turn-Off Time DG2733 (EN)	t <sub>OFF(EN)</sub>		Full		17	29	
			Full		35	35	

SPECIFICATIONS (V+ = 4.3 V)							
Parameter	Symbol	Test Condition Otherwise Unless Specified V+ = 4.3 V, V <sub>IN</sub> = 0.5 or 1.6 V <sup>e</sup>	Temp <sup>a</sup>	Limits -40 to 85°C			Unit
				Min <sup>b</sup>	Typ <sup>c</sup>	Max <sup>b</sup>	
<b>Analog Switch</b>							
Analog Signal Range <sup>d</sup>	V <sub>NO</sub> , V <sub>NC</sub> , V <sub>COM</sub>		Full	0		V+	V
On-Resistance	r <sub>ON</sub>	V+ = 4.3 V, V <sub>COM</sub> = 0.9 V, I <sub>NO</sub> , I <sub>NC</sub> = 100 mA	Room		0.29	0.4	Ω
		V+ = 4.3 V, V <sub>COM</sub> = 2.5 V, I <sub>NO</sub> , I <sub>NC</sub> = 100 mA			0.21		
			Full			0.55	
r <sub>ON</sub> Match <sup>d</sup>	Δr <sub>ON</sub>	V+ = 4.3 V, V <sub>COM</sub> = 0.9 to 2.5 V+, I <sub>NO</sub> , I <sub>NC</sub> = 100 mA	Room		0.03	0.06	
Switch Off Leakage Current <sup>d</sup>	I <sub>NO(off)</sub> , I <sub>NC(off)</sub>	V+ = 4.3 V, V <sub>NO</sub> , V <sub>NC</sub> = 0.3 V / 4.0 V, V <sub>COM</sub> = 4.0 V / 0.3 V	Full	-20		20	nA
	I <sub>COM(off)</sub>		Full	-20		20	
Channel-On Leakage Current <sup>d</sup>	I <sub>COM(on)</sub>	V+ = 4.3 V, V <sub>NO</sub> , V <sub>NC</sub> = V <sub>COM</sub> = 3.0 V / 4.0 V	Full	-20		20	
<b>Digital Control</b>							
Input High Voltage	V <sub>IN</sub>		Full	1.6			V
Input Low Voltage	V <sub>INL</sub>		Full			0.5	
Input Capacitance	C <sub>in</sub>		Full		-4		pF
Input Current	I <sub>INL</sub> or I <sub>INH</sub>	V <sub>IN</sub> = 0 or V+	Full	-1		1	μA
<b>Dynamic Characteristics</b>							
Break-Before-Make Time	t <sub>BBM</sub>	V <sub>NO</sub> or V <sub>NC</sub> = 1.5 V, R <sub>L</sub> = 50 Ω, C <sub>L</sub> = 35 pF	Full	5			ns
<b>Power Supply</b>							
Power Supply Range	V+					4.3	V
Power Supply Current	I+	V <sub>IN</sub> = 0 or V+	Full			1.0	μA

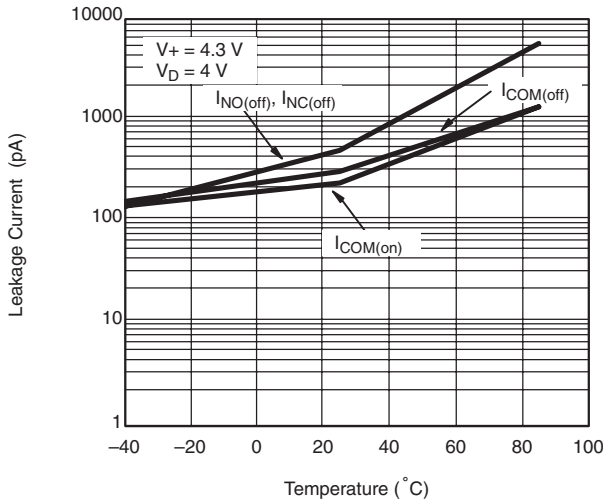
Notes

- a. Room = 25°C, Full = as determined by the operating suffix.
- b. The algebraic convention whereby the most negative value is a minimum and the most positive a maximum, is used in this data sheet.
- c. Typical values are for design aid only, not guaranteed nor subject to production testing.
- d. Guarantee by design, not subjected to production test.
- e. V<sub>IN</sub> = input voltage to perform proper function.

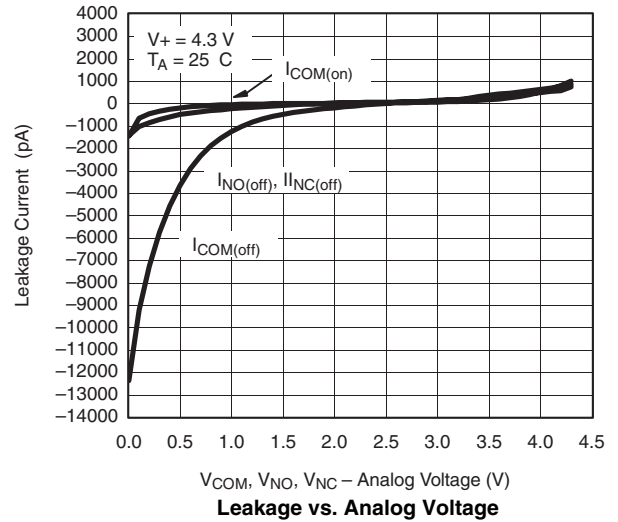
Stresses beyond those listed under "Absolute Maximum Ratings" may cause permanent damage to the device. These are stress ratings only, and functional operation of the device at these or any other conditions beyond those indicated in the operational sections of the specifications is not implied. Exposure to absolute maximum rating conditions for extended periods may affect device reliability.

**TYPICAL CHARACTERISTICS**  $T_A = 25\text{ }^\circ\text{C}$ , unless otherwise noted


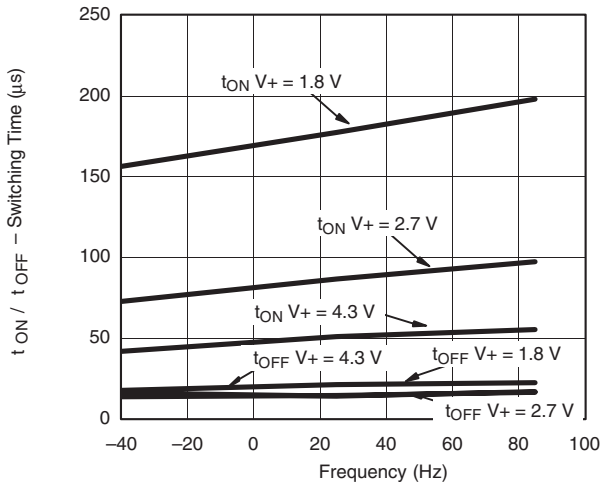
**TYPICAL CHARACTERISTICS**  $T_A = 25\text{ }^\circ\text{C}$ , unless otherwise noted



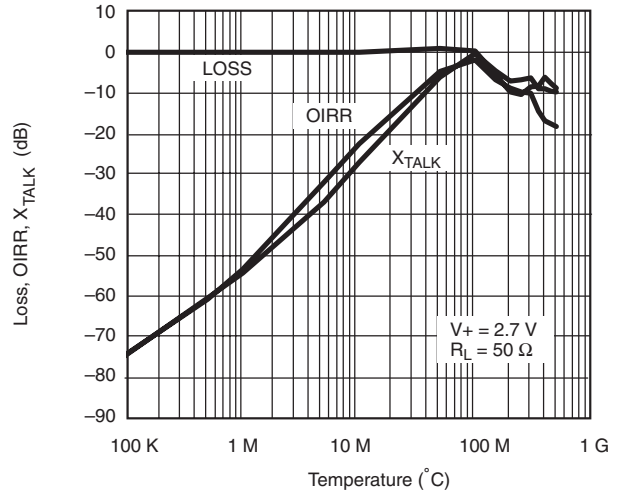
**Leakage Current vs. Temperature**



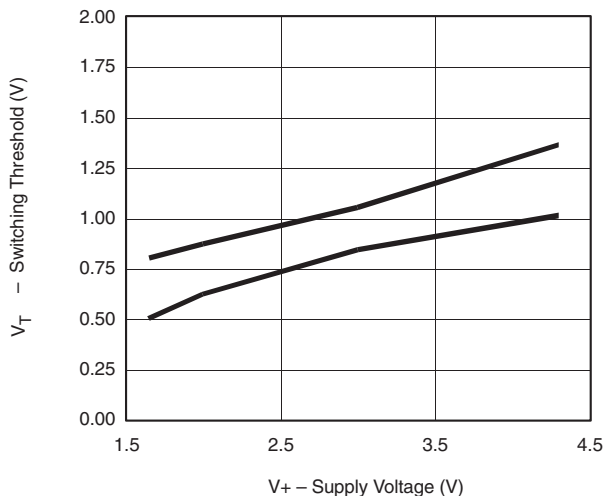
**Leakage vs. Analog Voltage**



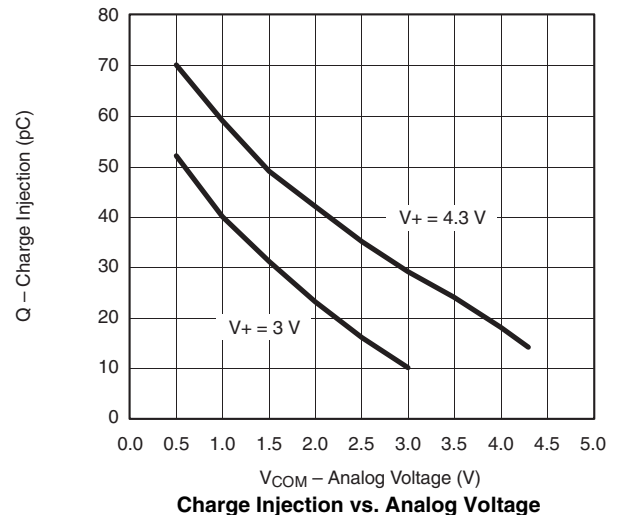
**Switching Time vs. Temperature**



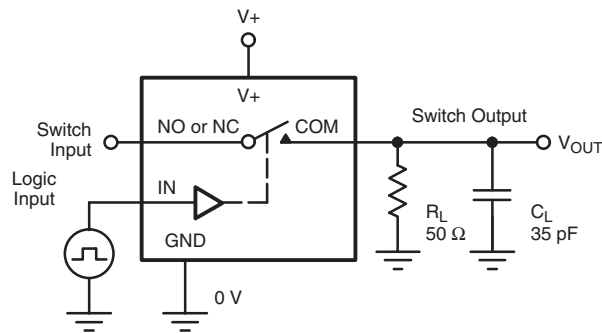
**Insertion Loss, Off-Isolation Crosstalk vs. Frequency**



**Switching Threshold vs. Supply Voltage**

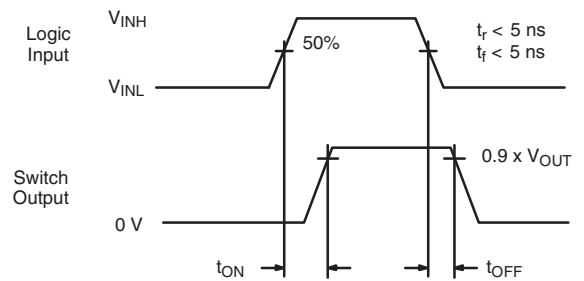


**Charge Injection vs. Analog Voltage**

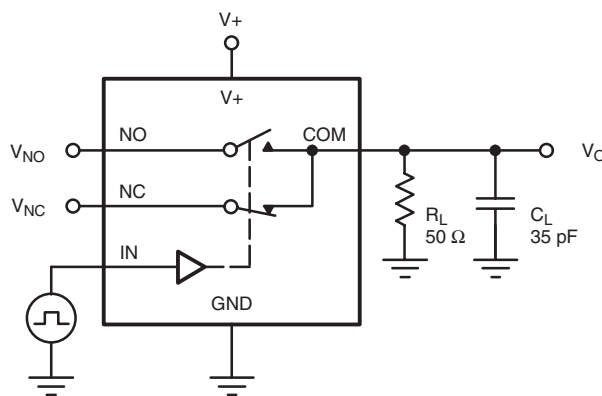
**TEST CIRCUITS**


$C_L$  (includes fixture and stray capacitance)

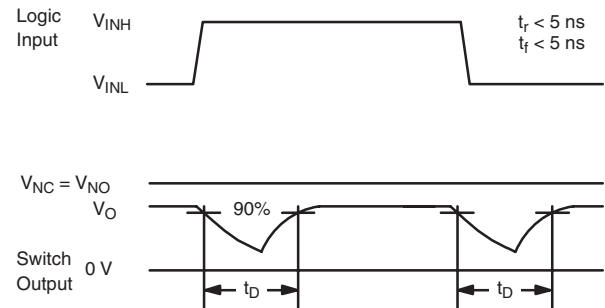
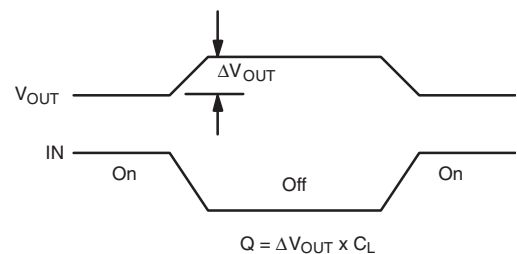
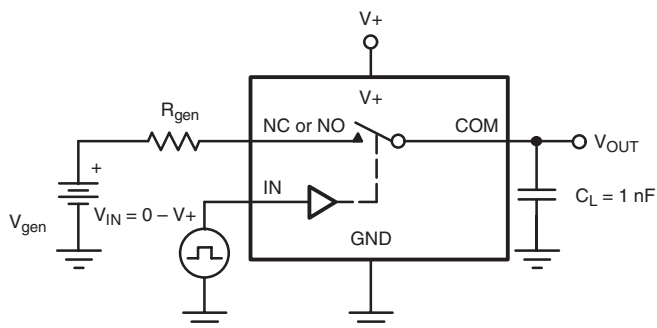
$$V_{OUT} = V_{COM} \left( \frac{R_L}{R_L + R_{ON}} \right)$$



Logic "1" = Switch On  
Logic input waveforms inverted for switches that have the opposite logic sense.

**Figure 1. Switching Time**


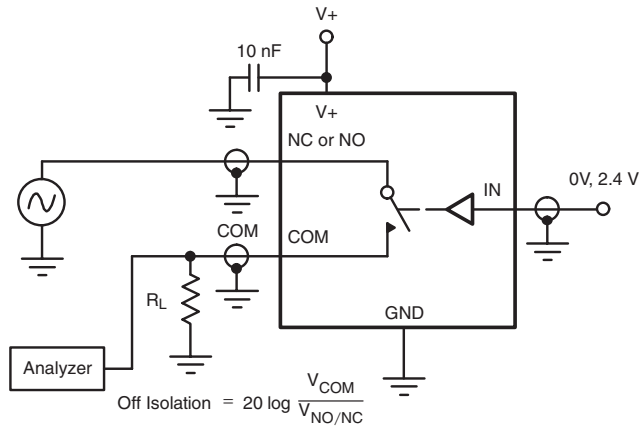
$C_L$  (includes fixture and stray capacitance)


**Figure 2. Break-Before-Make Interval**


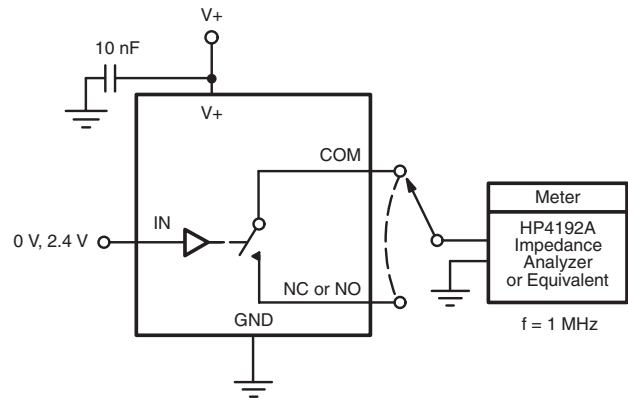
IN depends on switch configuration: input polarity determined by sense of switch.

**Figure 3. Charge Injection**

**TEST CIRCUITS**



**Figure 4. Off-Isolation**



**Figure 5. Channel Off/On Capacitance**

Vishay Siliconix maintains worldwide manufacturing capability. Products may be manufactured at one of several qualified locations. Reliability data for Silicon Technology and Package Reliability represent a composite of all qualified locations. For related documents such as package/tape drawings, part marking, and reliability data, see <http://www.vishay.com/ppg?73484>.



## Disclaimer

All product specifications and data are subject to change without notice.

Vishay Intertechnology, Inc., its affiliates, agents, and employees, and all persons acting on its or their behalf (collectively, "Vishay"), disclaim any and all liability for any errors, inaccuracies or incompleteness contained herein or in any other disclosure relating to any product.

Vishay disclaims any and all liability arising out of the use or application of any product described herein or of any information provided herein to the maximum extent permitted by law. The product specifications do not expand or otherwise modify Vishay's terms and conditions of purchase, including but not limited to the warranty expressed therein, which apply to these products.

No license, express or implied, by estoppel or otherwise, to any intellectual property rights is granted by this document or by any conduct of Vishay.

The products shown herein are not designed for use in medical, life-saving, or life-sustaining applications unless otherwise expressly indicated. Customers using or selling Vishay products not expressly indicated for use in such applications do so entirely at their own risk and agree to fully indemnify Vishay for any damages arising or resulting from such use or sale. Please contact authorized Vishay personnel to obtain written terms and conditions regarding products designed for such applications.

Product names and markings noted herein may be trademarks of their respective owners.

## Looking for pricing, stock, or lifecycle information?

Click below to explore more details on WIN SOURCE:

 [View DG2732DQ-T1-E3 on WIN SOURCE](#)

 [Vishay Information](#)

## Optimize Your Supply Chain with WIN SOURCE Solutions

-  Global Sourcing Solution
-  Obsolete Management
-  Cost Control Management
-  Shortage Management
-  Alternative Solution
-  Excess Inventory Management