



**THE DATASHEET OF
DS90CR284MTD/NOPB**



DS90CR283,DS90CR284

DS90CR283/DS90CR284 28-Bit Channel Link-66 MHz



Literature Number: SNLS126A

DS90CR283/DS90CR284

28-Bit Channel Link-66 MHz

General Description

The DS90CR283 transmitter converts 28 bits of CMOS/TTL data into four LVDS (Low Voltage Differential Signaling) data streams. A phase-locked transmit clock is transmitted in parallel with the data streams over a fifth LVDS link. Every cycle of the transmit clock 28 bits of input data are sampled and transmitted. The DS90CR284 receiver converts the LVDS data streams back into 28 bits of CMOS/TTL data. At a transmit clock frequency of 66 MHz, 28 bits of TTL data are transmitted at a rate of 462 Mbps per LVDS data channel. Using a 66 MHz clock, the data throughput is 1.848 Gbit/s (231 Mbytes/s).

The multiplexing of the data lines provides a substantial cable reduction. Long distance parallel single-ended buses typically require a ground wire per active signal (and have very limited noise rejection capability). Thus, for a 28-bit wide data bus and one clock, up to 58 conductors are required. With the Channel Link chipset as few as 11 conductors (4 data pairs, 1 clock pair and a minimum of one ground) are needed. This provides a 80% reduction in required cable

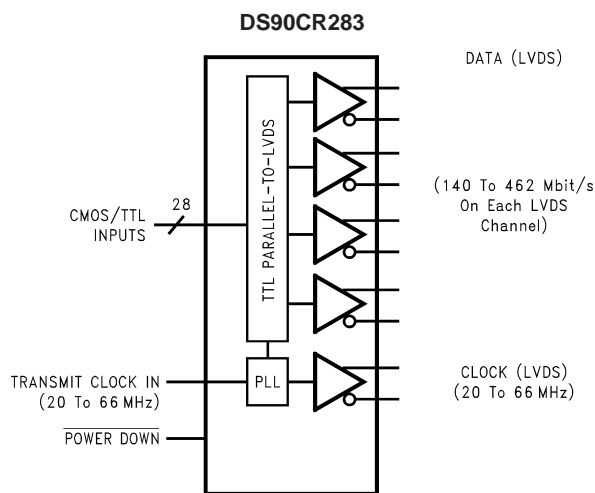
width, which provides a system cost savings, reduces connector physical size and cost, and reduces shielding requirements due to the cables' smaller form factor.

The 28 CMOS/TTL inputs can support a variety of signal combinations. For example, 7 4-bit nibbles or 3 9-bit (byte + parity) and 1 control.

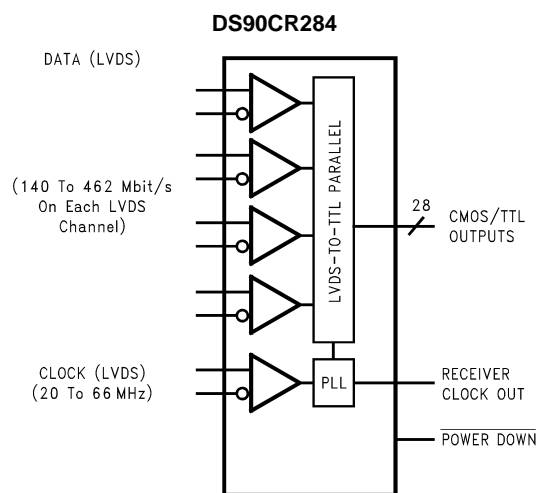
Features

- 66 MHz clock support
- Up to 231 Mbytes/s bandwidth
- Low power CMOS design (< 610 mW)
- Power Down mode (< 0.5 mW total)
- Up to 1.848 Gbit/s data throughput
- Narrow bus reduces cable size and cost
- 290 mV swing LVDS devices for low EMI
- PLL requires no external components
- Low profile 56-lead TSSOP package
- Rising edge data strobe
- Compatible with TIA/EIA-644 LVDS Standard

Block Diagrams

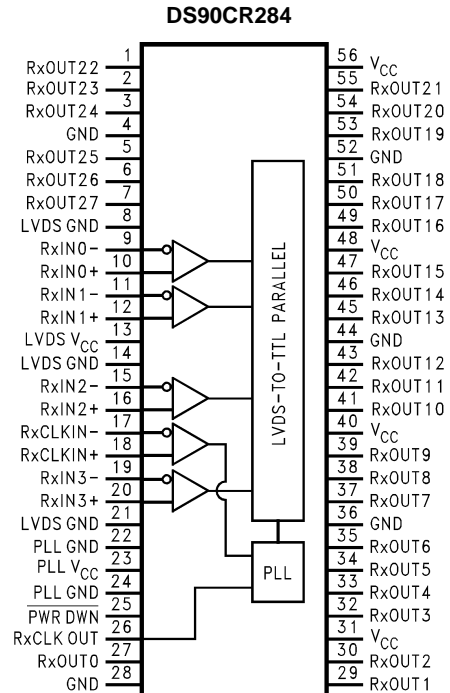
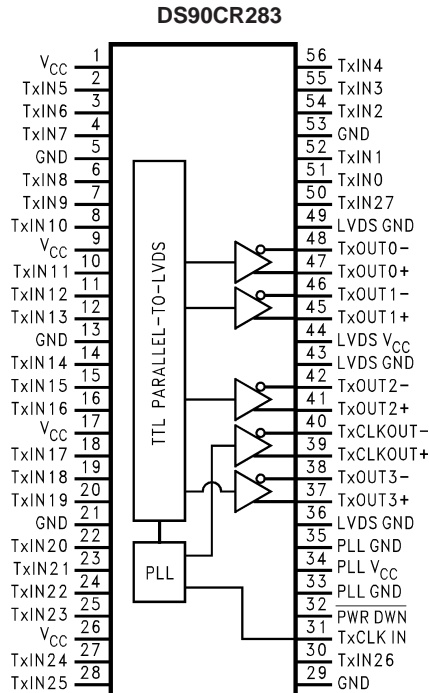


Order Number DS90CR283MTD
See NS Package Number MTD56

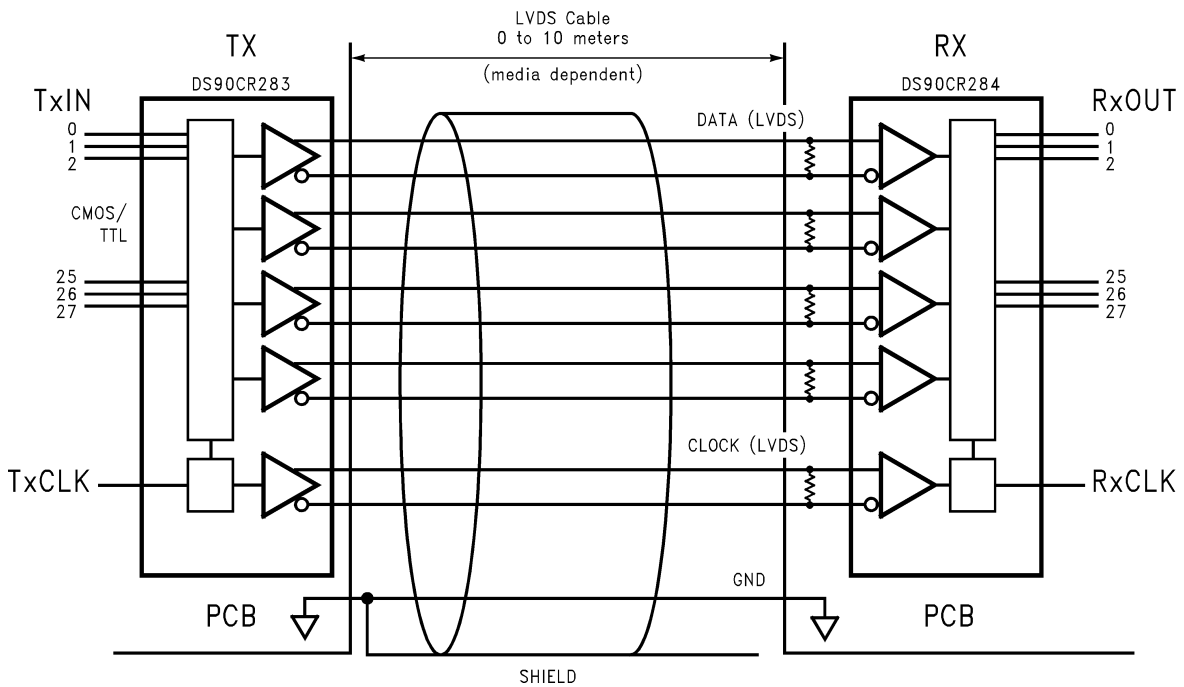


Order Number DS90CR284MTD
See NS Package Number MTD56

Pin Diagrams



Typical Application



Absolute Maximum Ratings (Note 1)

If Military/Aerospace specified devices are required, please contact the National Semiconductor Sales Office/Distributors for availability and specifications.

| | |
|---|------------------------------|
| Supply Voltage (V_{CC}) | -0.3V to +6V |
| CMOS/TTL Input Voltage | -0.3V to ($V_{CC} + 0.3V$) |
| CMOS/TTL Output Voltage | -0.3V to ($V_{CC} + 0.3V$) |
| LVDS Receiver Input Voltage | -0.3V to ($V_{CC} + 0.3V$) |
| LVDS Driver Output Voltage | -0.3V to ($V_{CC} + 0.3V$) |
| LVDS Output Short Circuit | |
| Duration | Continuous |
| Junction Temperature | +150°C |
| Storage Temperature Range | -65°C to +150°C |
| Lead Temperature | |
| (Soldering, 4 sec.) | +260°C |
| Maximum Package Power Dissipation @ +25°C | |
| MTD56(TSSOP) Package: | |

| | |
|---|------------------------|
| DS90CR283 | 1.63W |
| DS90CR284 | 1.61W |
| Package Derating: | |
| DS90CR283 | 12.5 mW/°C above +25°C |
| DS90CR284 | 12.4 mW/°C above +25°C |
| This device does not meet 2000V ESD rating (Note 4) | |

Recommended Operating Conditions

| | Min | Nom | Max | Units |
|--|------|-----|------|-----------------------|
| Supply Voltage (V_{CC}) | 4.75 | 5.0 | 5.25 | V |
| Operating Free Air Temperature (T_A) | -10 | +25 | +70 | °C |
| Receiver Input Range | 0 | | 2.4 | V |
| Supply Noise Voltage (V_{CC}) | | | | 100 mV _{P-P} |

Electrical Characteristics

Over recommended operating supply and temperature ranges unless otherwise specified

| Symbol | Parameter | Conditions | Min | Typ | Max | Units |
|--|---|--|--------------|-------|----------|-------|
| CMOS/TTL DC SPECIFICATIONS | | | | | | |
| V_{IH} | High Level Input Voltage | | 2.0 | | V_{CC} | V |
| V_{IL} | Low Level Input Voltage | | GND | | 0.8 | V |
| V_{OH} | High Level Output Voltage | $I_{OH} = -0.4$ mA | 3.8 | 4.9 | | V |
| V_{OL} | Low Level Output Voltage | $I_{OL} = 2$ mA | | 0.1 | 0.3 | V |
| V_{CL} | Input Clamp Voltage | $I_{CL} = -18$ mA | | -0.79 | -1.5 | V |
| I_{IN} | Input Current | $V_{IN} = V_{CC}, GND, 2.5V$ or 0.4V | | ±5.1 | ±10 | µA |
| I_{OS} | Output Short Circuit Current | $V_{OUT} = 0V$ | | | -120 | mA |
| LVDS DRIVER DC SPECIFICATIONS | | | | | | |
| V_{OD} | Differential Output Voltage | $R_L = 100\Omega$ | 250 | 290 | 450 | mV |
| ΔV_{OD} | Change in V_{OD} between Complementary Output States | | | | 35 | mV |
| V_{OS} | Offset Voltage | | 1.1 | 1.25 | 1.375 | V |
| ΔV_{OS} | Change in Magnitude of V_{OS} between Complementary Output States | | | | 35 | mV |
| I_{OS} | Output Short Circuit Current | $V_{OUT} = 0V, R_L = 100\Omega$ | | -2.9 | -5 | mA |
| I_{OZ} | Output TRI-STATE® Current | Power Down = 0V, $V_{OUT} = 0V$ or V_{CC} | | ±1 | ±10 | µA |
| LVDS RECEIVER DC SPECIFICATIONS | | | | | | |
| V_{TH} | Differential Input High Threshold | $V_{CM} = +1.2V$ | | | +100 | mV |
| V_{TL} | Differential Input Low Threshold | | -100 | | | mV |
| I_{IN} | Input Current | $V_{IN} = +2.4V, V_{CC} = 5.0V$ | | | ±10 | µA |
| | | $V_{IN} = 0V, V_{CC} = 5.0V$ | | | ±10 | µA |
| TRANSMITTER SUPPLY CURRENT | | | | | | |
| I_{CCTW} | Transmitter Supply Current, Worst Case | $R_L = 100\Omega, C_L = 5$ pF, Worst Case Pattern (Figures 1, 2) | f = 32.5 MHz | 49 | 63 | mA |
| | | | f = 37.5 MHz | 51 | 64 | mA |
| | | | f = 66 MHz | 70 | 84 | mA |
| I_{CCTZ} | Transmitter Supply Current, Power Down | Power Down = Low Driver Outputs in TRI-STATE under Power Down Mode | | 1 | 25 | µA |

Electrical Characteristics (Continued)

Over recommended operating supply and temperature ranges unless otherwise specified

| Symbol | Parameter | Conditions | Min | Typ | Max | Units |
|--------------------------------|-------------------------------------|--|----------------|-----|-----|---------|
| RECEIVER SUPPLY CURRENT | | | | | | |
| I_{CCRW} | Receiver Supply Current, Worst Case | $C_L = 8$ pF, Worst Case Pattern (Figures 1, 3) | $f = 32.5$ MHz | 64 | 77 | mA |
| | | | $f = 37.5$ MHz | 70 | 85 | mA |
| | | | $f = 66$ MHz | 110 | 140 | mA |
| I_{CCRZ} | Receiver Supply Current, Power Down | Power Down = Low Receiver Outputs in Previous State during Power Down Mode | | 1 | 10 | μ A |

Note 1: "Absolute Maximum Ratings" are those values beyond which the safety of the device cannot be guaranteed. They are not meant to imply that the device should be operated at these limits. The tables of "Electrical Characteristics" specify conditions for device operation.

Note 2: Typical values are given for $V_{CC} = 5.0$ V and $T_A = +25^\circ$ C.

Note 3: Current into device pins is defined as positive. Current out of device pins is defined as negative. Voltages are referenced to ground unless otherwise specified (except V_{OD} and ΔV_{OD}).

Note 4: ESD Rating: HBM (1.5 k Ω , 100 pF)

PLL $V_{CC} \geq 1000$ V

All other pins ≥ 2000 V

EIAJ (0 Ω , 200 pF) ≥ 150 V

Note 5: V_{OS} previously referred as V_{CM} .

Transmitter Switching Characteristics

Over recommended operating supply and temperature ranges unless otherwise specified

| Symbol | Parameter | Min | Typ | Max | Units | |
|--------|---|--------------|-------|----------------|-------|----|
| LLHT | LVDS Low-to-High Transition Time (Figure 2) | | 0.75 | 1.5 | ns | |
| LHLT | LVDS High-to-Low Transition Time (Figure 2) | | 0.75 | 1.5 | ns | |
| TCIT | TxCLK IN Transition Time (Figure 4) | | | 8 | ns | |
| TCCS | TxOUT Channel-to-Channel Skew (Note 6) (Figure 5) | | | 350 | ps | |
| TPPos0 | Transmitter Output Pulse Position for Bit 0 (Figure 16) | $f = 66$ MHz | -0.30 | 0 | 0.30 | ns |
| TPPos1 | Transmitter Output Pulse Position for Bit 1 | | 1.70 | $(1/7)T_{clk}$ | 2.50 | ns |
| TPPos2 | Transmitter Output Pulse Position for Bit 2 | | 3.60 | $(2/7)T_{clk}$ | 4.50 | ns |
| TPPos3 | Transmitter Output Pulse Position for Bit 3 | | 5.90 | $(3/7)T_{clk}$ | 6.75 | ns |
| TPPos4 | Transmitter Output Pulse Position for Bit 4 | | 8.30 | $(4/7)T_{clk}$ | 9.00 | ns |
| TPPos5 | Transmitter Output Pulse Position for Bit 5 | | 10.40 | $(5/7)T_{clk}$ | 11.10 | ns |
| TPPos6 | Transmitter Output Pulse Position for Bit 6 | | 12.70 | $(6/7)T_{clk}$ | 13.40 | |
| TCIP | TxCLK IN Period (Figure 6) | 15 | T | 50 | ns | |
| TCIH | TxCLK IN High Time (Figure 6) | 0.35T | 0.5T | 0.65T | ns | |
| TCIL | TxCLK IN Low Time (Figure 6) | 0.35T | 0.5T | 0.65T | ns | |
| TSTC | TxIN Setup to TxCLK IN (Figure 6) | 5 | 3.5 | | ns | |
| THTC | TxIN Hold to TxCLK IN (Figure 6) | 2.5 | 1.5 | | ns | |
| TCCD | TxCLK IN to TxCLK OUT Delay @ 25° C, $V_{CC} = 5.0$ V (Figure 8) | 3.5 | | 8.5 | ns | |
| TPLLS | Transmitter Phase Lock Loop Set (Figure 10) | | | 10 | ms | |
| TPDD | Transmitter Power Down Delay (Figure 14) | | | 100 | ns | |

Note 6: This limit based on bench characterization.

Receiver Switching Characteristics

Over recommended operating supply and temperature ranges unless otherwise specified

| Symbol | Parameter | Min | Typ | Max | Units |
|--------|---|------------|------|------|-------|
| CLHT | CMOS/TTL Low-to-High Transition Time (Figure 3) | | 2.5 | 4.0 | ns |
| CHLT | CMOS/TTL High-to-Low Transition Time (Figure 3) | | 2.0 | 4.0 | ns |
| RSKM | RxIN Skew Margin (Note 7), $V_{CC} = 5V, T_A = 25^\circ C$ (Figure 17) | f = 40 MHz | 700 | | ps |
| | | f = 66 MHz | 600 | | ps |
| RCOP | RxCLK OUT Period (Figure 7) | 15 | T | 50 | ns |
| RCOH | RxCLK OUT High Time (Figure 7) | f = 40 MHz | 6 | | ns |
| | | f = 66 MHz | 4.3 | 5 | ns |
| RCOL | RxCLK OUT Low Time (Figure 7) | f = 40 MHz | 10.5 | | ns |
| | | f = 66 MHz | 7.0 | 9 | ns |
| RSRC | RxOUT Setup to RxCLK OUT (Figure 7) | f = 40 MHz | 4.5 | | ns |
| | | f = 66 MHz | 2.5 | 4.2 | ns |
| RHRC | RxOUT Hold to RxCLK OUT (Figure 7) | f = 40 MHz | 6.5 | | ns |
| | | f = 66 MHz | 4 | 5.2 | ns |
| RCCD | RxCLK IN to RxCLK OUT Delay @ 25°C, $V_{CC} = 5.0V$ (Figure 9) | 6.4 | | 10.7 | ns |
| RPLLS | Receiver Phase Lock Loop Set (Figure 11) | | | 10 | ms |
| RPDD | Receiver Power Down Delay (Figure 11) | | | 1 | µs |

Note 7: Receiver Skew Margin is defined as the valid data sampling region at the receiver inputs. This margin takes into account transmitter output skew (TCCS) and the setup and hold time (internal data sampling window), allowing for LVDS cable skew dependent on type/length and source clock (TxCLK IN) jitter.

$RSKM \geq \text{cable skew (type, length)} + \text{source clock jitter (cycle to cycle)}$

AC Timing Diagrams

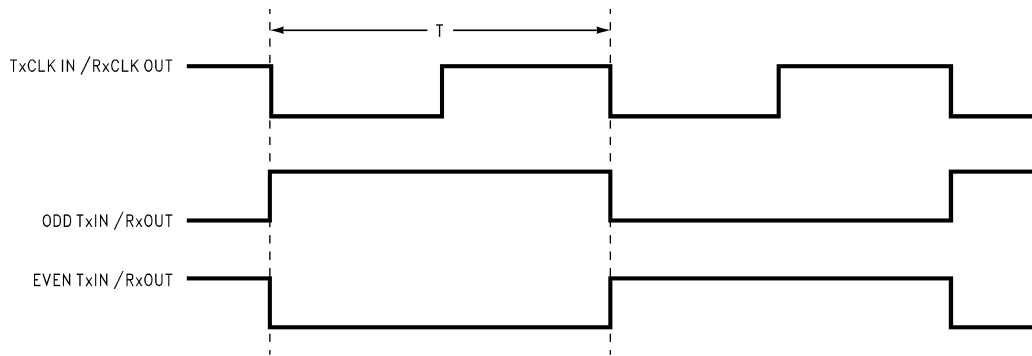
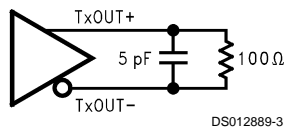
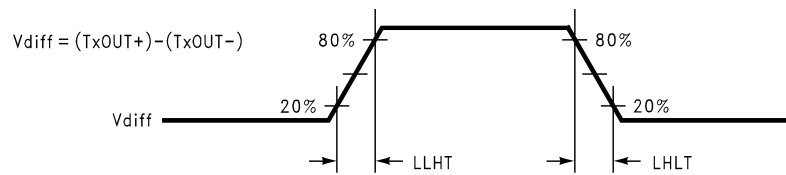


FIGURE 1. "WORST CASE" Test Pattern

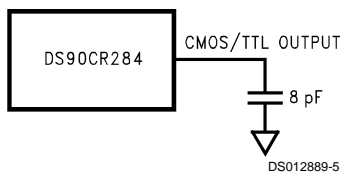


DS012889-3

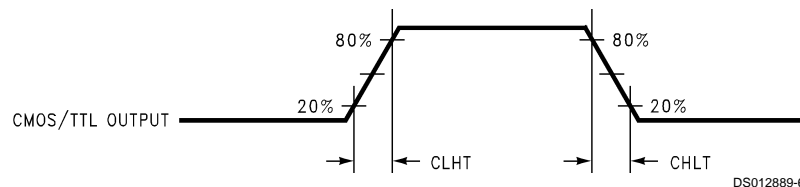


DS012889-4

FIGURE 2. DS90CR283 (Transmitter) LVDS Output Load and Transition Timing



DS012889-5



DS012889-6

FIGURE 3. DS90CR284 (Receiver) CMOS/TTL Output Load and Transition Timing

AC Timing Diagrams (Continued)

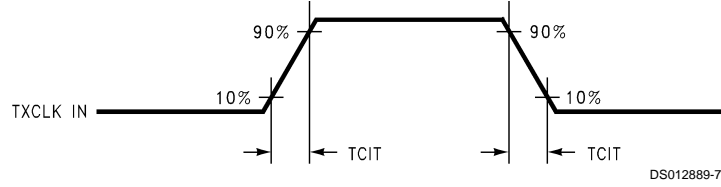
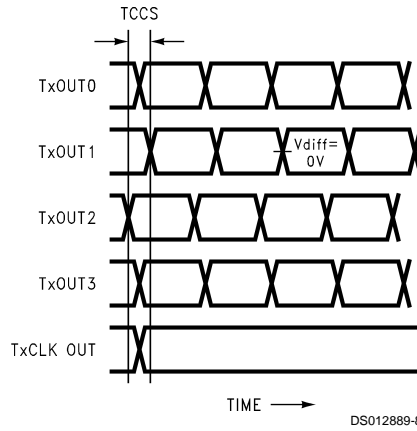


FIGURE 4. DS90CR283 (Transmitter) Input Clock Transition Time



Note 8: Measurements at $V_{diff} = 0V$

Note 9: TCCS measured between earliest and latest initial LVDS edges.

Note 10: TxCLK OUT Differential Low \rightarrow High Edge

FIGURE 5. DS90CR283 (Transmitter) Channel-to-Channel Skew

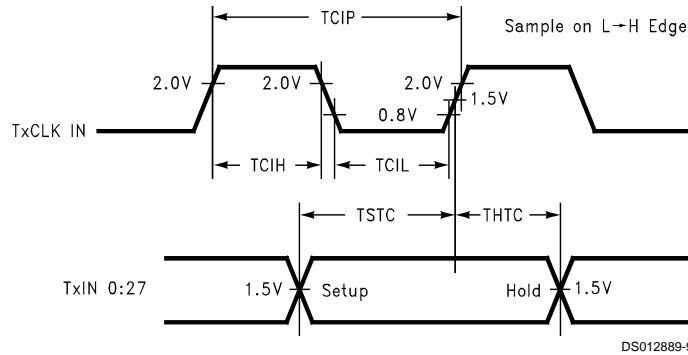


FIGURE 6. DS90CR283 (Transmitter) Setup/Hold and High/Low Times

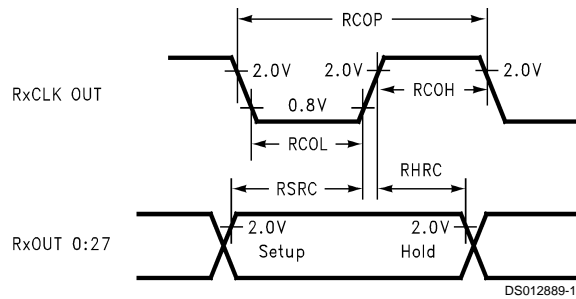


FIGURE 7. DS90CR284 (Receiver) Setup/Hold and High/Low Times

AC Timing Diagrams (Continued)

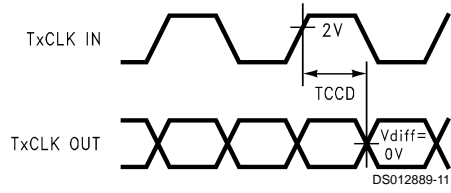


FIGURE 8. DS90CR283 (Transmitter) Clock In to Clock Out Delay

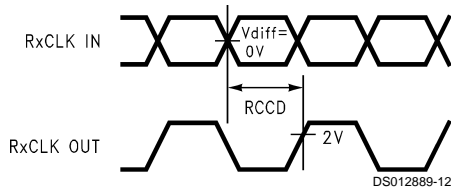


FIGURE 9. DS90CR284 (Receiver) Clock In to Clock Out Delay

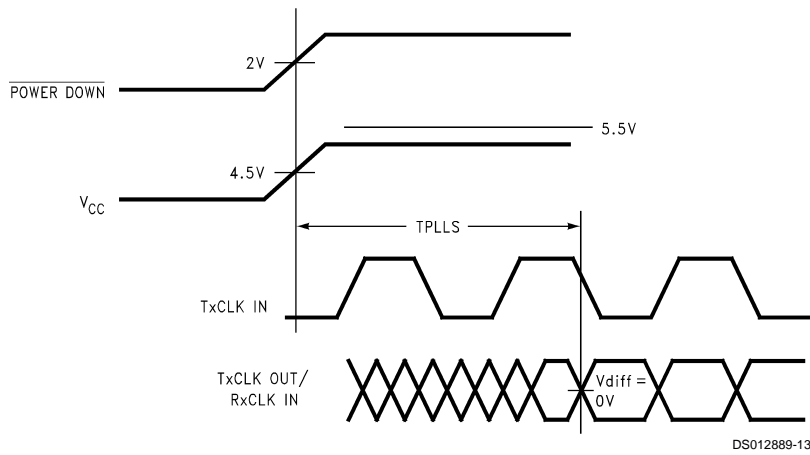


FIGURE 10. DS90CR283 (Transmitter) Phase Lock Loop Set Time

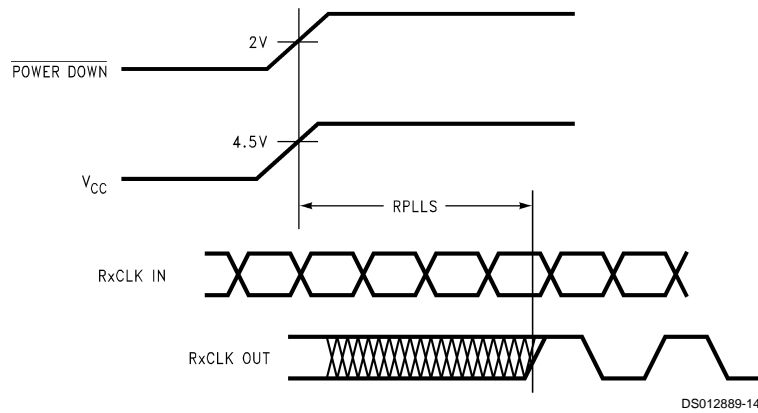


FIGURE 11. DS90CR284 (Receiver) Phase Lock Loop Set Time

AC Timing Diagrams (Continued)

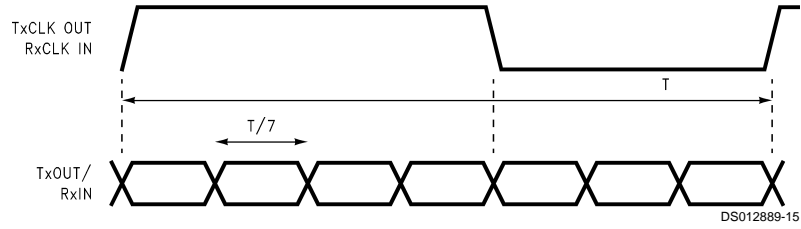


FIGURE 12. Seven Bits of LVDS in One Clock Cycle

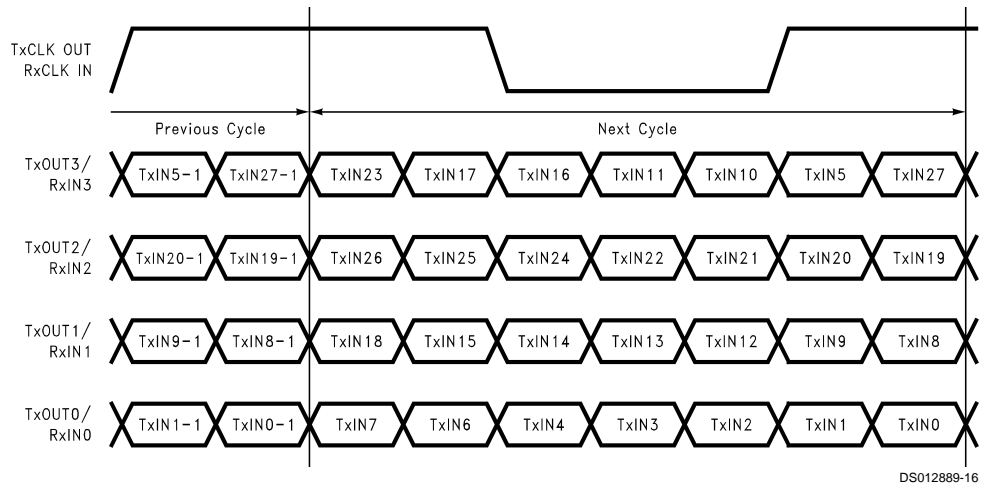


FIGURE 13. 28 Parallel TTL Data Inputs Mapped to LVDS Outputs (DS90CR283)

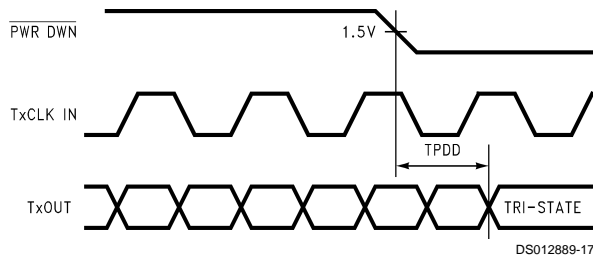


FIGURE 14. Transmitter Powerdown Delay

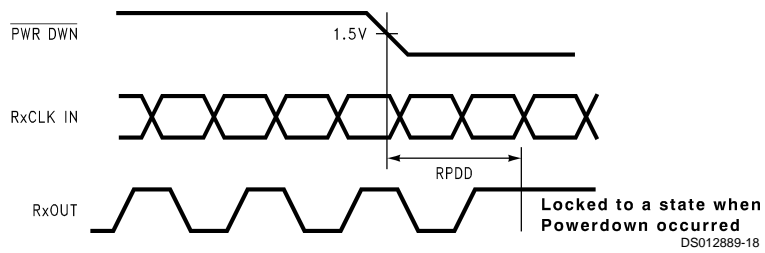
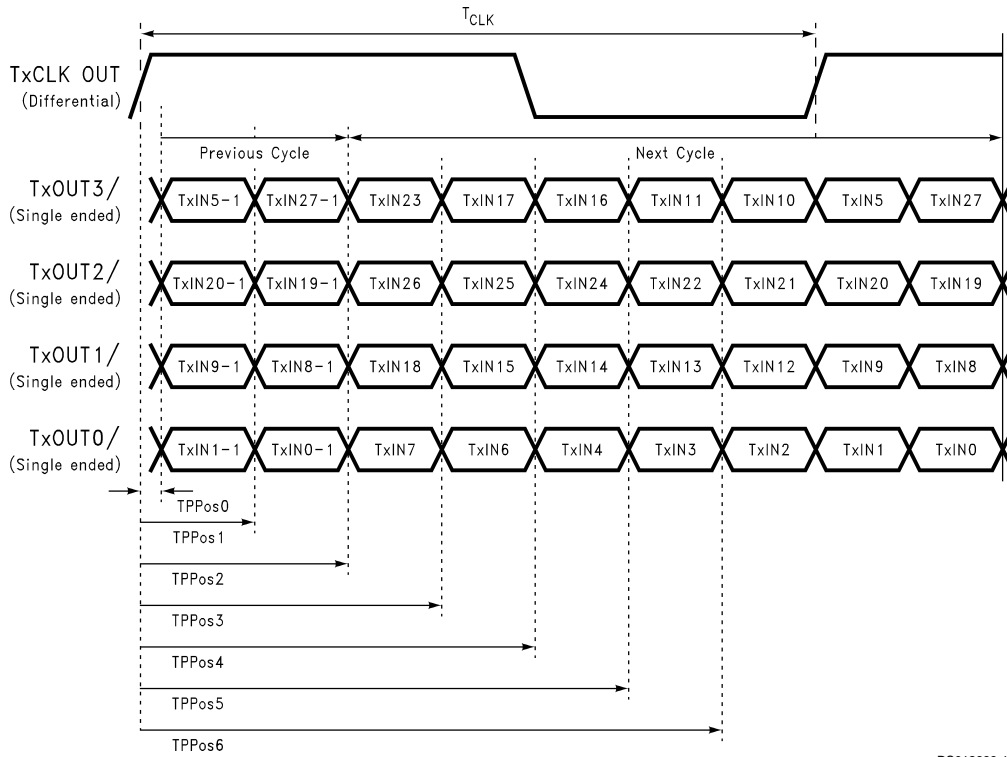


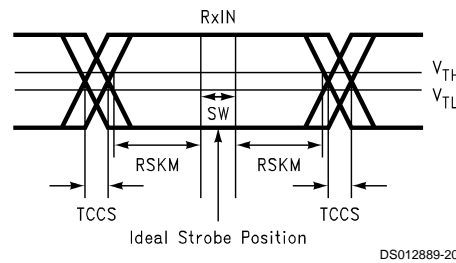
FIGURE 15. Receiver Powerdown Delay

AC Timing Diagrams (Continued)



DS012889-19

FIGURE 16. Transmitter LVDS Output Pulse Position Measurement



DS012889-20

- SW — Setup and Hold Time (Internal data sampling window)
- TCCS — Transmitter Output Skew
- $RSKM \geq \text{Cable Skew (type, length)} + \text{Source Clock Jitter (cycle to cycle)}$
- Cable Skew — typically 10 ps–40 ps per foot.

FIGURE 17. Receiver LVDS Input Skew Margin

DS90CR283 Pin Description—Channel Link Transmitter

| Pin Name | I/O | No. | Description |
|----------------------|-----|-----|---|
| TxIN | I | 28 | TTL Level inputs |
| TxOUT+ | O | 4 | Positive LVDS differential data output |
| TxOUT- | O | 4 | Negative LVDS differential data output |
| TxCLK IN | I | 1 | TTL level clock input. The rising edge acts as data strobe |
| TxCLK OUT+ | O | 1 | Positive LVDS differential clock output |
| TxCLK OUT- | O | 1 | Negative LVDS differential clock output |
| PWR DOWN | I | 1 | TTL level input. Assertion (low input) TRI-STATES the outputs, ensuring low current at power down |
| V _{CC} | I | 4 | Power supply pins for TTL inputs |
| GND | I | 5 | Ground pins for TTL inputs |
| PLL V _{CC} | I | 1 | Power supply pin for PLL |
| PLL GND | I | 2 | Ground pins for PLL |
| LVDS V _{CC} | I | 1 | Power supply pin for LVDS outputs |
| LVDS GND | I | 3 | Ground pins for LVDS outputs |

DS90CR284 Pin Description—Channel Link Receiver

| Pin Name | I/O | No. | Description |
|----------------------|-----|-----|---|
| RxIN+ | I | 4 | Positive LVDS differential data inputs |
| RxIN- | I | 4 | Negative LVDS differential data inputs |
| RxOUT | O | 28 | TTL level outputs |
| RxCLK IN+ | I | 1 | Positive LVDS differential clock input |
| RxCLK IN- | I | 1 | Negative LVDS differential clock input |
| RxCLK OUT | O | 1 | TTL level clock output. The rising edge acts as data strobe |
| PWR DOWN | I | 1 | TTL level input. Assertion (low input) maintains the receiver outputs in the previous state |
| V _{CC} | I | 4 | Power supply pins for TTL outputs |
| GND | I | 5 | Ground pins for TTL outputs |
| PLL V _{CC} | I | 1 | Power supply for PLL |
| PLL GND | I | 2 | Ground pin for PLL |
| LVDS V _{CC} | I | 1 | Power supply pin for LVDS inputs |
| LVDS GND | I | 3 | Ground pins for LVDS inputs |

Applications Information

The Channel Link devices are intended to be used in a wide variety of data transmission applications. Depending upon the application the interconnecting media may vary. For example, for lower data rate (clock rate) and shorter cable lengths (< 2m), the media electrical performance is less critical. For higher speed/long distance applications the media's performance becomes more critical. Certain cable constructions provide tighter skew (matched electrical length between the conductors and pairs). Twin-coax for example, has been demonstrated at distances as great as 5 meters and with the maximum data transfer of 1.848 Gbit/s. Additional applications information can be found in the following National Interface Application Notes:

| AN = #### | Topic |
|-----------|---|
| AN-1041 | Introduction to Channel Link |
| AN-1108 | PCB Design Guidelines for LVDS and Link Devices |
| AN-806 | Transmission Line Theory |

| AN = #### | Topic |
|-----------|---|
| AN-905 | Transmission Line Calculations and Differential Impedance |
| AN-916 | Cable Information |

CABLES: A cable interface between the transmitter and receiver needs to support the differential LVDS pairs. The 21-bit CHANNEL LINK chipset (DS90CR213/214) requires four pairs of signal wires and the 28-bit CHANNEL LINK chipset (DS90CR283/284) requires five pairs of signal wires. The ideal cable/connector interface would have a constant 100Ω differential impedance throughout the path. It is also recommended that cable skew remain below 350 ps (@ 66 MHz clock rate) to maintain a sufficient data sampling window at the receiver.

In addition to the four or five cable pairs that carry data and clock, it is recommended to provide at least one additional conductor (or pair) which connects ground between the transmitter and receiver. This low impedance ground provides a common mode return path for the two devices. Some of the more commonly used cable types for point-to-point applications include flat ribbon, flex, twisted pair and Twin-Coax. All are available in a variety of configurations and

Applications Information (Continued)

options. Flat ribbon cable, flex and twisted pair generally perform well in short point-to-point applications while Twin-Coax is good for short and long applications. When using ribbon cable, it is recommended to place a ground line between each differential pair to act as a barrier to noise coupling between adjacent pairs. For Twin-Coax cable applications, it is recommended to utilize a shield on each cable pair. All extended point-to-point applications should also employ an overall shield surrounding all cable pairs regardless of the cable type. This overall shield results in improved transmission parameters such as faster attainable speeds, longer distances between transmitter and receiver and reduced problems associated with EMS or EMI.

The high-speed transport of LVDS signals has been demonstrated on several types of cables with excellent results. However, the best overall performance has been seen when using Twin-Coax cable. Twin-Coax has very low cable skew and EMI due to its construction and double shielding. All of the design considerations discussed here and listed in the supplemental application notes provide the subsystem communications designer with many useful guidelines. It is recommended that the designer assess the tradeoffs of each application thoroughly to arrive at a reliable and economical cable solution.

BOARD LAYOUT: To obtain the maximum benefit from the noise and EMI reductions of LVDS, attention should be paid to the layout of differential lines. Lines of a differential pair should always be adjacent to eliminate noise interference from other signals and take full advantage of the noise canceling of the differential signals. The board designer should also try to maintain equal length on signal traces for a given differential pair. As with any high speed design, the impedance discontinuities should be limited (reduce the numbers of vias and no 90 degree angles on traces). Any discontinuities which do occur on one signal line should be mirrored in the other line of the differential pair. Care should be taken to ensure that the differential trace impedance match the differential impedance of the selected physical

media (this impedance should also match the value of the termination resistor that is connected across the differential pair at the receiver's input). Finally, the location of the CHANNEL LINK TxOUT/RxIN pins should be as close as possible to the board edge so as to eliminate excessive pcb runs. All of these considerations will limit reflections and crosstalk which adversely effect high frequency performance and EMI.

UNUSED INPUTS: All unused inputs at the TxIN inputs of the transmitter must be tied to ground. All unused outputs at the RxOUT outputs of the receiver must then be left floating.

TERMINATION: Use of current mode drivers requires a terminating resistor across the receiver inputs. The CHANNEL LINK chipset will normally require a single 100Ω resistor between the true and complement lines on each differential pair of the receiver input. The actual value of the termination resistor should be selected to match the differential mode characteristic impedance (90Ω to 120Ω typical) of the cable. *Figure 18* shows an example. No additional pull-up or pull-down resistors are necessary as with some other differential technologies such as PECL. Surface mount resistors are recommended to avoid the additional inductance that accompanies leaded resistors. These resistors should be placed as close as possible to the receiver input pins to reduce stubs and effectively terminate the differential lines.

DECOUPLING CAPACITORS: Bypassing capacitors are needed to reduce the impact of switching noise which could limit performance. For a conservative approach three parallel-connected decoupling capacitors (Multi-Layered Ceramic type in surface mount form factor) between each V_{CC} and the ground plane(s) are recommended. The three capacitor values are $0.1\mu\text{F}$, $0.01\mu\text{F}$ and $0.001\mu\text{F}$. An example is shown in *Figure 19*. The designer should employ wide traces for power and ground and ensure each capacitor has its own via to the ground plane. If board space is limiting the number of bypass capacitors, the PLL V_{CC} should receive the most filtering/bypassing. Next would be the LVDS V_{CC} pins and finally the logic V_{CC} pins.

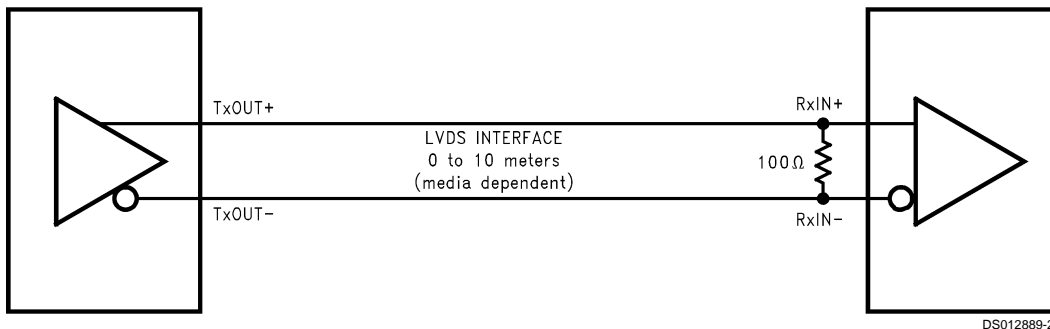


FIGURE 18. LVDS Serialized Link Termination

Applications Information (Continued)

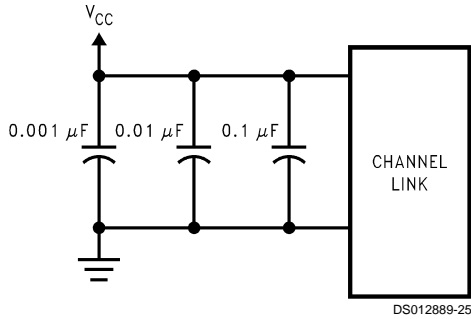


FIGURE 19. CHANNEL LINK Decoupling Configuration

CLOCK JITTER: The CHANNEL LINK devices employ a PLL to generate and recover the clock transmitted across the LVDS interface. The width of each bit in the serialized LVDS data stream is one-seventh the clock period. For example, a 66 MHz clock has a period of 15 ns which results in a data bit width of 2.16 ns. Differential skew (Δt within one differential pair), interconnect skew (Δt of one differential pair to another) and clock jitter will all reduce the available window for sampling the LVDS serial data streams. Care must be taken to ensure that the clock input to the transmitter be a clean low noise signal. Individual bypassing of each V_{CC} to ground will minimize the noise passed on to the PLL, thus creating a

low jitter LVDS clock. These measures provide more margin for channel-to-channel skew and interconnect skew as a part of the overall jitter/skew budget.

COMMON MODE vs. DIFFERENTIAL MODE NOISE MARGIN: The typical signal swing for LVDS is 300 mV centered at +1.2V. The CHANNEL LINK receiver supports a 100 mV threshold therefore providing approximately 200 mV of differential noise margin. Common mode protection is of more importance to the system's operation due to the differential data transmission. LVDS supports an input voltage range of Ground to +2.4V. This allows for a $\pm 1.0V$ shifting of the center point due to ground potential differences and common mode noise.

POWER SEQUENCING AND POWERDOWN MODE: Outputs of the CHANNEL LINK transmitter remain in TRI-STATE until the power supply reaches 3V. Clock and data outputs will begin to toggle 10 ms after V_{CC} has reached 4.5V and the Powerdown pin is above 2V. Either device may be placed into a powerdown mode at any time by asserting the Powerdown pin (active low). Total power dissipation for each device will decrease to 5 μW (typical).

The CHANNEL LINK chipset is designed to protect itself from accidental loss of power to either the transmitter or receiver. If power to the transmit board is lost, the receiver clocks (input and output) stop. The data outputs (RxOUT) retain the states they were in when the clocks stopped. When the receiver board loses power, the receiver inputs are shorted to V_{CC} through an internal diode. Current is limited (5 mA per input) by the fixed current mode drivers, thus avoiding the potential for latchup when powering the device.

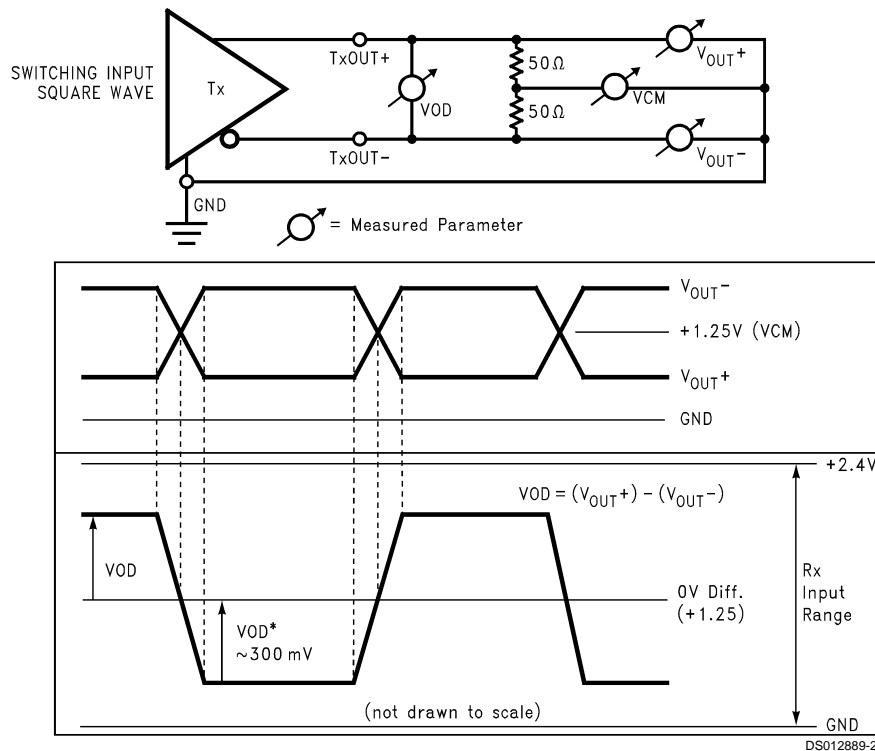
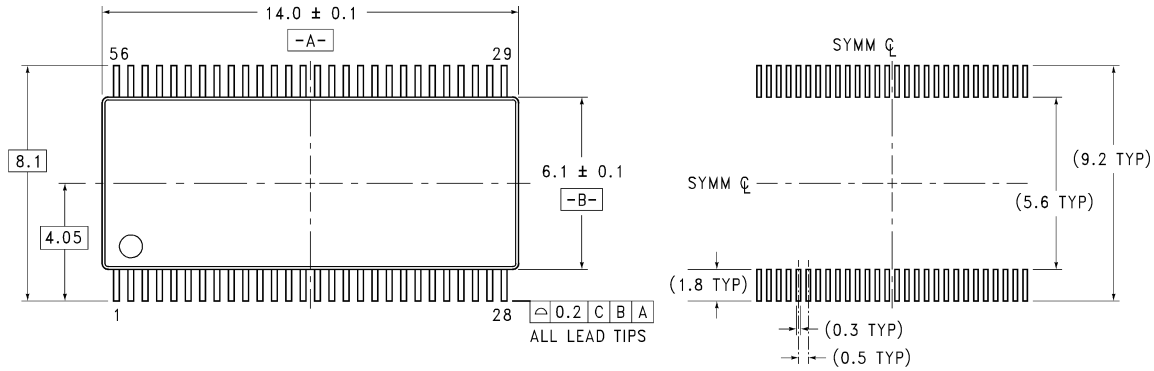
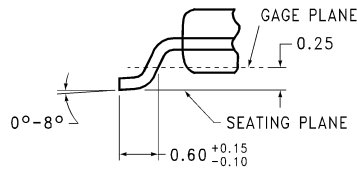
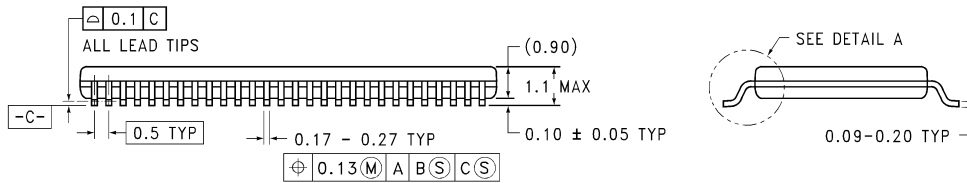


FIGURE 20. Single-Ended and Differential Waveforms

Physical Dimensions inches (millimeters) unless otherwise noted



LAND PATTERN RECOMMENDATION



DETAIL A

TYPICAL

MTD56 (REV B)

**56-Lead Molded Thin Shrink Small Outline Package, JEDEC
Order Number DS90CR283MTD or DS90CR284MTD
NS Package Number MTD56**

LIFE SUPPORT POLICY

NATIONAL'S PRODUCTS ARE NOT AUTHORIZED FOR USE AS CRITICAL COMPONENTS IN LIFE SUPPORT DEVICES OR SYSTEMS WITHOUT THE EXPRESS WRITTEN APPROVAL OF THE PRESIDENT AND GENERAL COUNSEL OF NATIONAL SEMICONDUCTOR CORPORATION. As used herein:

1. Life support devices or systems are devices or systems which, (a) are intended for surgical implant into the body, or (b) support or sustain life, and whose failure to perform when properly used in accordance with instructions for use provided in the labeling, can be reasonably expected to result in a significant injury to the user.
2. A critical component is any component of a life support device or system whose failure to perform can be reasonably expected to cause the failure of the life support device or system, or to affect its safety or effectiveness.



National Semiconductor Corporation
Americas
Email: support@nsc.com

National Semiconductor Europe
Fax: +49 (0) 180-530 85 86
Email: europe.support@nsc.com
Deutsch Tel: +49 (0) 69 9508 6208
English Tel: +44 (0) 870 24 0 2171
Français Tel: +33 (0) 1 41 91 8790

National Semiconductor Asia Pacific Customer Response Group
Tel: 65-2544466
Fax: 65-2504466
Email: ap.support@nsc.com

National Semiconductor Japan Ltd.
Tel: 81-3-5639-7560
Fax: 81-3-5639-7507

www.national.com

IMPORTANT NOTICE

Texas Instruments Incorporated and its subsidiaries (TI) reserve the right to make corrections, modifications, enhancements, improvements, and other changes to its products and services at any time and to discontinue any product or service without notice. Customers should obtain the latest relevant information before placing orders and should verify that such information is current and complete. All products are sold subject to TI's terms and conditions of sale supplied at the time of order acknowledgment.

TI warrants performance of its hardware products to the specifications applicable at the time of sale in accordance with TI's standard warranty. Testing and other quality control techniques are used to the extent TI deems necessary to support this warranty. Except where mandated by government requirements, testing of all parameters of each product is not necessarily performed.

TI assumes no liability for applications assistance or customer product design. Customers are responsible for their products and applications using TI components. To minimize the risks associated with customer products and applications, customers should provide adequate design and operating safeguards.

TI does not warrant or represent that any license, either express or implied, is granted under any TI patent right, copyright, mask work right, or other TI intellectual property right relating to any combination, machine, or process in which TI products or services are used. Information published by TI regarding third-party products or services does not constitute a license from TI to use such products or services or a warranty or endorsement thereof. Use of such information may require a license from a third party under the patents or other intellectual property of the third party, or a license from TI under the patents or other intellectual property of TI.

Reproduction of TI information in TI data books or data sheets is permissible only if reproduction is without alteration and is accompanied by all associated warranties, conditions, limitations, and notices. Reproduction of this information with alteration is an unfair and deceptive business practice. TI is not responsible or liable for such altered documentation. Information of third parties may be subject to additional restrictions.

Resale of TI products or services with statements different from or beyond the parameters stated by TI for that product or service voids all express and any implied warranties for the associated TI product or service and is an unfair and deceptive business practice. TI is not responsible or liable for any such statements.

TI products are not authorized for use in safety-critical applications (such as life support) where a failure of the TI product would reasonably be expected to cause severe personal injury or death, unless officers of the parties have executed an agreement specifically governing such use. Buyers represent that they have all necessary expertise in the safety and regulatory ramifications of their applications, and acknowledge and agree that they are solely responsible for all legal, regulatory and safety-related requirements concerning their products and any use of TI products in such safety-critical applications, notwithstanding any applications-related information or support that may be provided by TI. Further, Buyers must fully indemnify TI and its representatives against any damages arising out of the use of TI products in such safety-critical applications.

TI products are neither designed nor intended for use in military/aerospace applications or environments unless the TI products are specifically designated by TI as military-grade or "enhanced plastic." Only products designated by TI as military-grade meet military specifications. Buyers acknowledge and agree that any such use of TI products which TI has not designated as military-grade is solely at the Buyer's risk, and that they are solely responsible for compliance with all legal and regulatory requirements in connection with such use.

TI products are neither designed nor intended for use in automotive applications or environments unless the specific TI products are designated by TI as compliant with ISO/TS 16949 requirements. Buyers acknowledge and agree that, if they use any non-designated products in automotive applications, TI will not be responsible for any failure to meet such requirements.

Following are URLs where you can obtain information on other Texas Instruments products and application solutions:

Products

| | |
|------------------------|--|
| Audio | www.ti.com/audio |
| Amplifiers | amplifier.ti.com |
| Data Converters | dataconverter.ti.com |
| DLP® Products | www.dlp.com |
| DSP | dsp.ti.com |
| Clocks and Timers | www.ti.com/clocks |
| Interface | interface.ti.com |
| Logic | logic.ti.com |
| Power Mgmt | power.ti.com |
| Microcontrollers | microcontroller.ti.com |
| RFID | www.ti-rfid.com |
| OMAP Mobile Processors | www.ti.com/omap |
| Wireless Connectivity | www.ti.com/wirelessconnectivity |

Applications

| | |
|-------------------------------|--|
| Communications and Telecom | www.ti.com/communications |
| Computers and Peripherals | www.ti.com/computers |
| Consumer Electronics | www.ti.com/consumer-apps |
| Energy and Lighting | www.ti.com/energy |
| Industrial | www.ti.com/industrial |
| Medical | www.ti.com/medical |
| Security | www.ti.com/security |
| Space, Avionics and Defense | www.ti.com/space-avionics-defense |
| Transportation and Automotive | www.ti.com/automotive |
| Video and Imaging | www.ti.com/video |

TI E2E Community Home Page

e2e.ti.com

Mailing Address: Texas Instruments, Post Office Box 655303, Dallas, Texas 75265
Copyright © 2011, Texas Instruments Incorporated







Looking for pricing, stock, or lifecycle information?

Click below to explore more details on WIN SOURCE:

 [View DS90CR284MTD/NOPB on WIN SOURCE](#)

 [Texas Instruments](#) Information

Optimize Your Supply Chain with WIN SOURCE Solutions

-  Global Sourcing Solution
-  Obsolete Management
-  Cost Control Management
-  Shortage Management
-  Alternative Solution
-  Excess Inventory Management