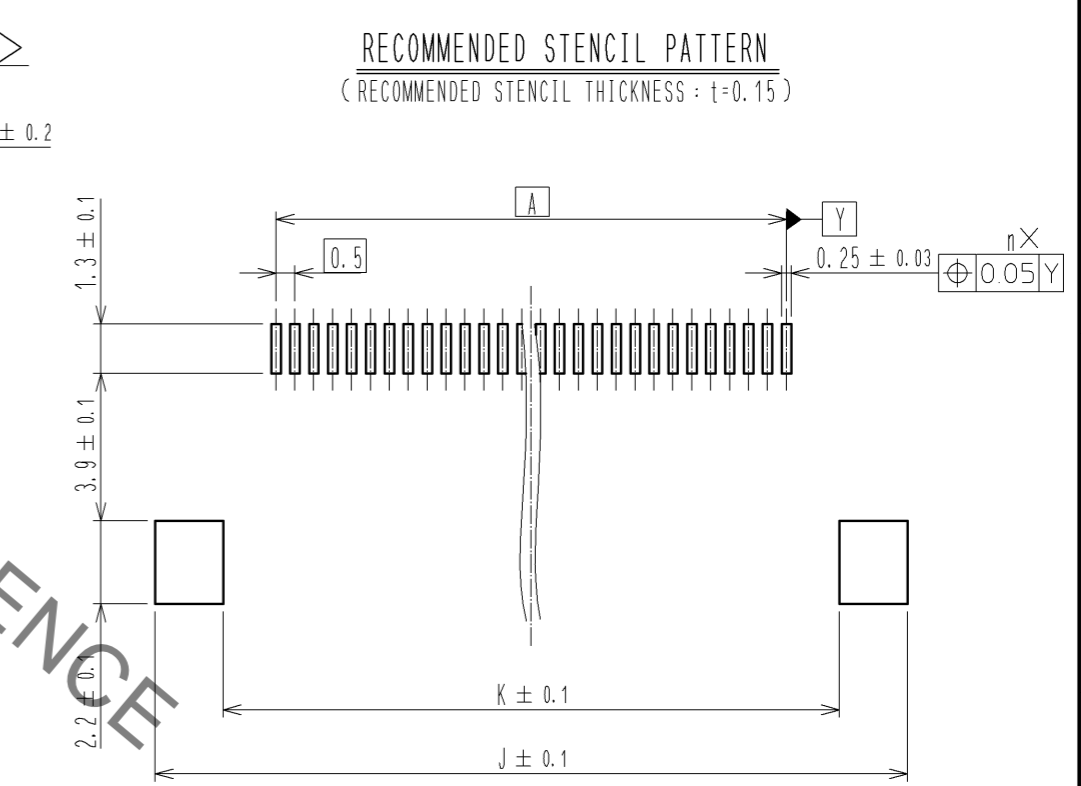
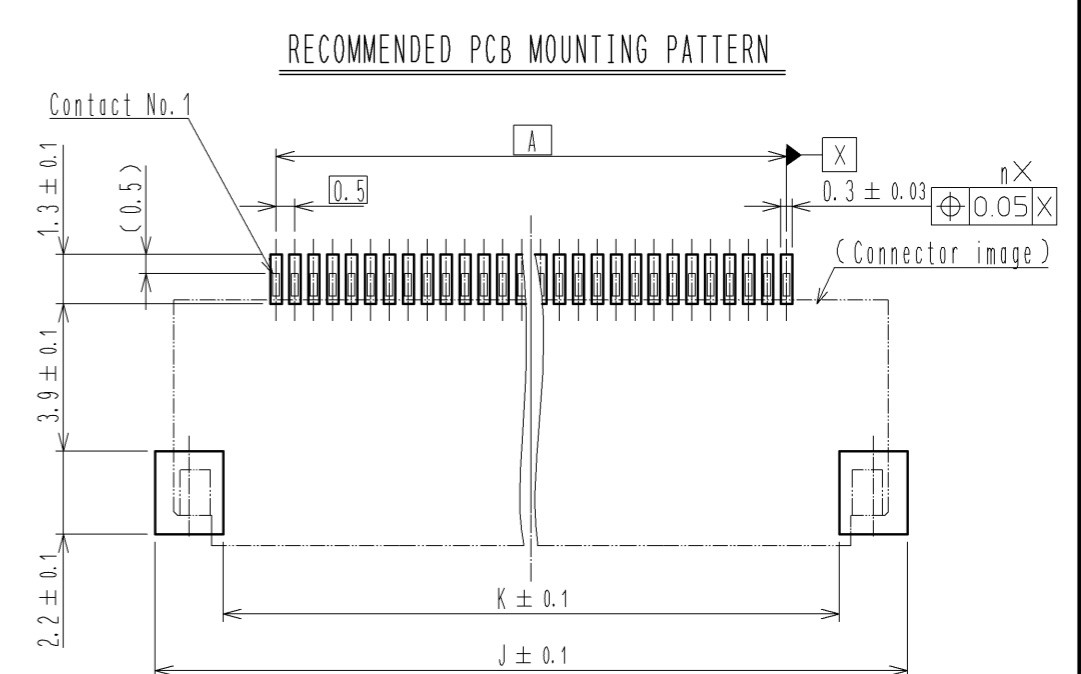
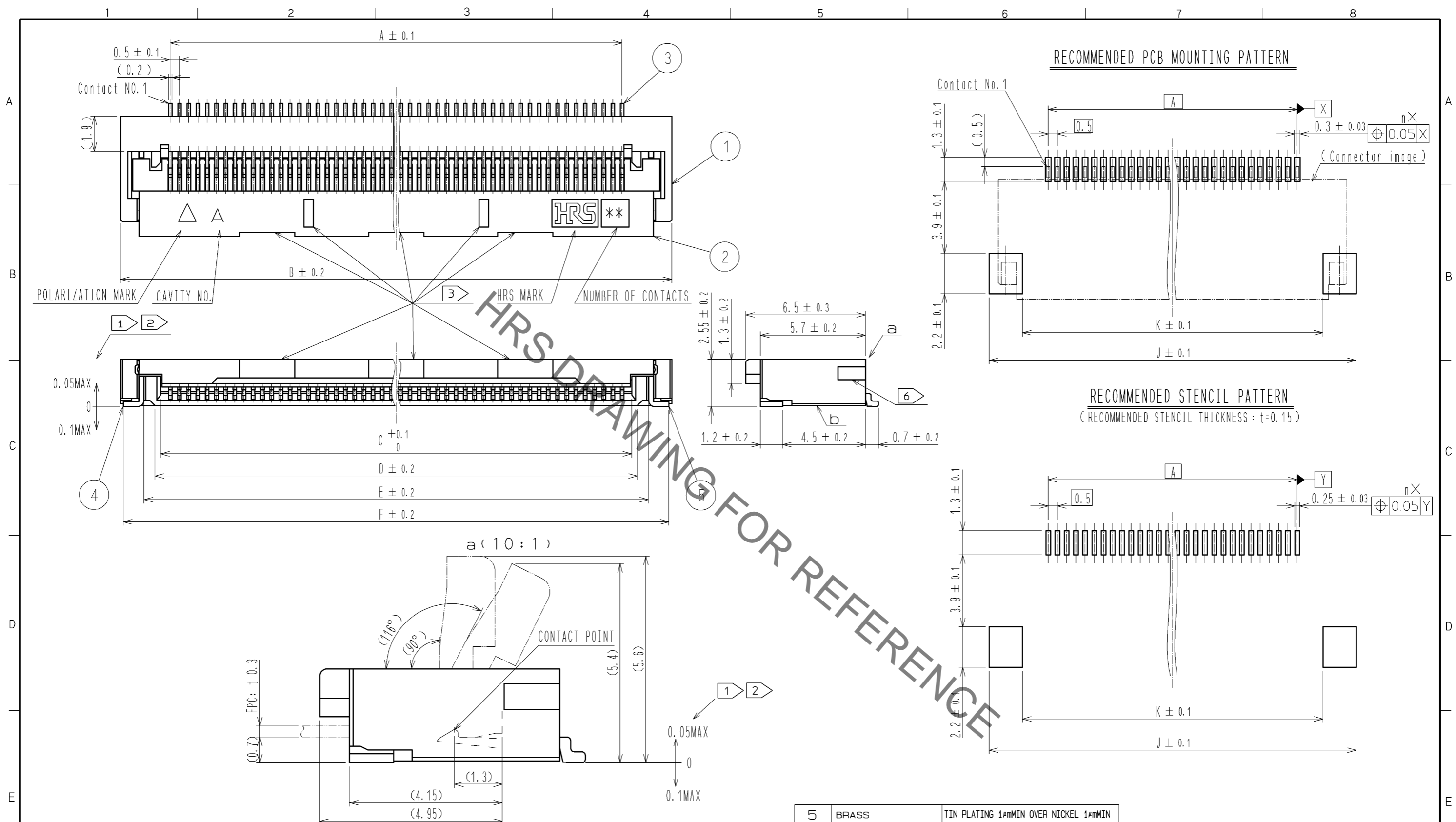




**THE DATASHEET OF  
FH28-15S-0.5SH(10)**



Jul.1.2019 Copyright 2019 HIROSE ELECTRIC CO., LTD. All Rights Reserved.  
In case of consideration for using Automotive equipment / device which demand high reliability, kindly contact our sales window correspondents.



- NOTES
- 1 Lead CO-PLANARITY including reinforced metal fittings shall be 0.1 MAX.
  - 2 Dimension: from reference b.
  - 3 Indicates notches or holes to prevent sink marks. The design and the location are discretionary, depending on the number of contacts.
  - 4 This product satisfies halogen free requirements defined as 900ppm maximum chlorine, 900ppm maximum bromine, and 1500ppm maximum total of chlorine and bromine.
  - 5 'n' represents the number of contacts.
  - 6 Indicates notches for attachment dust cover.  
FH28 series : without notches.  
FH28D series : with notches.  
There is no difference in performance between FH28 series and FH28D series.

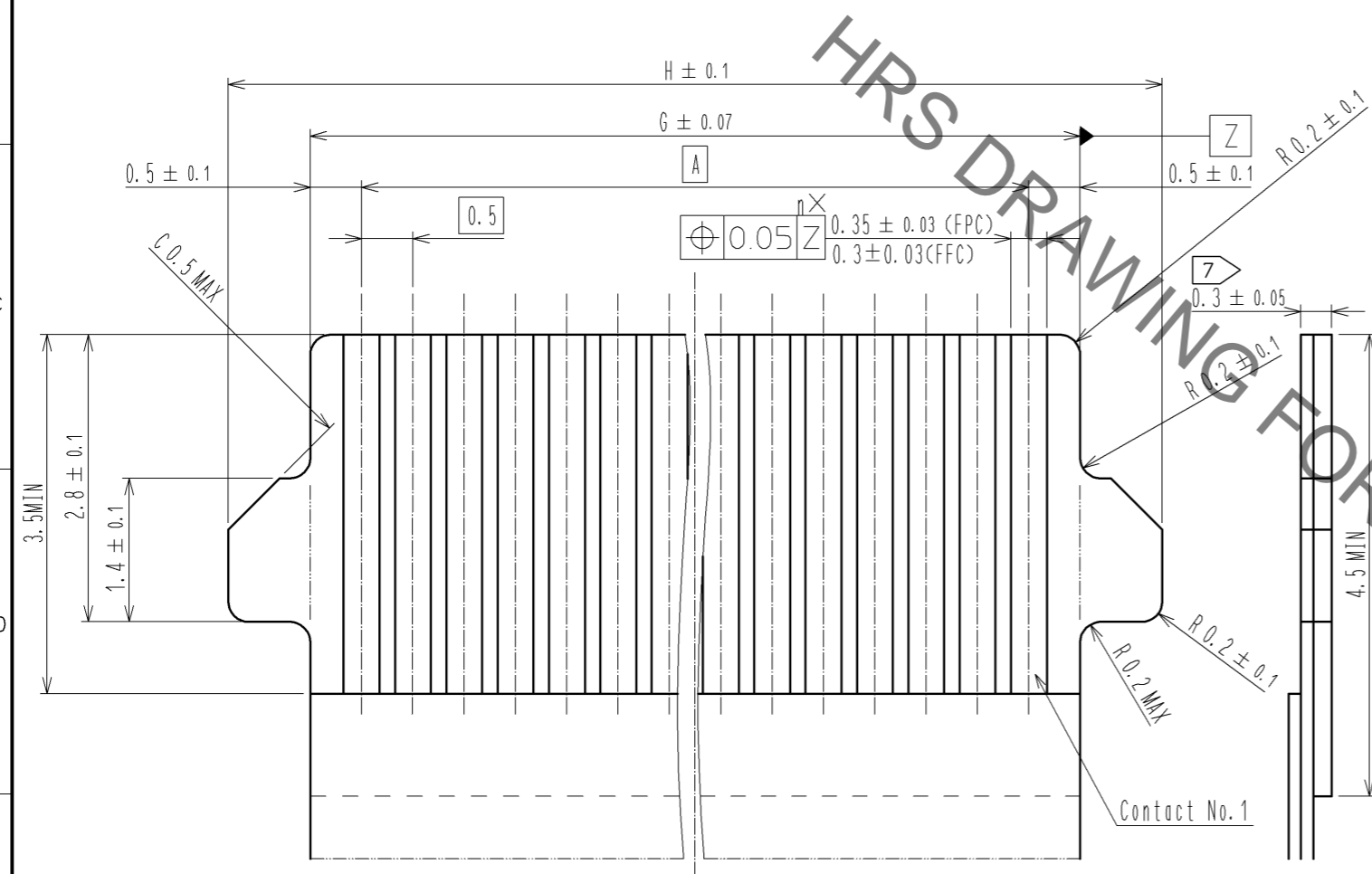
|     |                 |  |         |             |                  |
|-----|-----------------|--|---------|-------------|------------------|
| 5   | BRASS           | TIN PLATING 1#MMIN OVER NICKEL 1#MMIN  |         |             |                  |
| 4   | BRASS           | TIN PLATING 1#MMIN OVER NICKEL 1#MMIN  |         |             |                  |
| 3   | PHOSPHOR BRONZE | (CONTACT AREA-LEAD)GOLD PLATING 0.05#MMIN OVER NICKEL 1#MMIN.<br>(OTHER)NICKEL PLATING 1#MMIN. | 9       | (CONNECTOR) |                  |
| 2   | LCP             | (BLACK)  | UL94V-0 | 7           | POLYESTER        |
| 1   | LCP             | (GRAY)   | UL94V-0 | 6           | POLYSTYRENE      |
| NO. | MATERIAL        | FINISH . REMARKS   | NO.     | MATERIAL    | FINISH . REMARKS |

|                                |  |                |           |                          |                    |         |      |
|--------------------------------|--|----------------|-----------|--------------------------|--------------------|---------|------|
| UNITS<br>mm                    |  | SCALE<br>5 : 1 | COUNT<br> | DESCRIPTION OF REVISIONS | DESIGNED           | CHECKED | DATE |
| APPROVED : MO. ISHIDA 13.10.16 |  |                |           | DRAWING NO.              | EDC3-353836-02     |         |      |
| CHECED : HS. SAKAMOTO 13.10.16 |  |                |           | PART NO.                 | FH28-*S-0.5SH<10>  |         |      |
| DESIGNED : RT. IKEDA 13.10.11  |  |                |           | CODE NO.                 | FH28D-*S-0.5SH<10> |         |      |
| DRAWN : NM. SANPEI 13.10.10    |  |                |           |                          | CL586              |         |      |

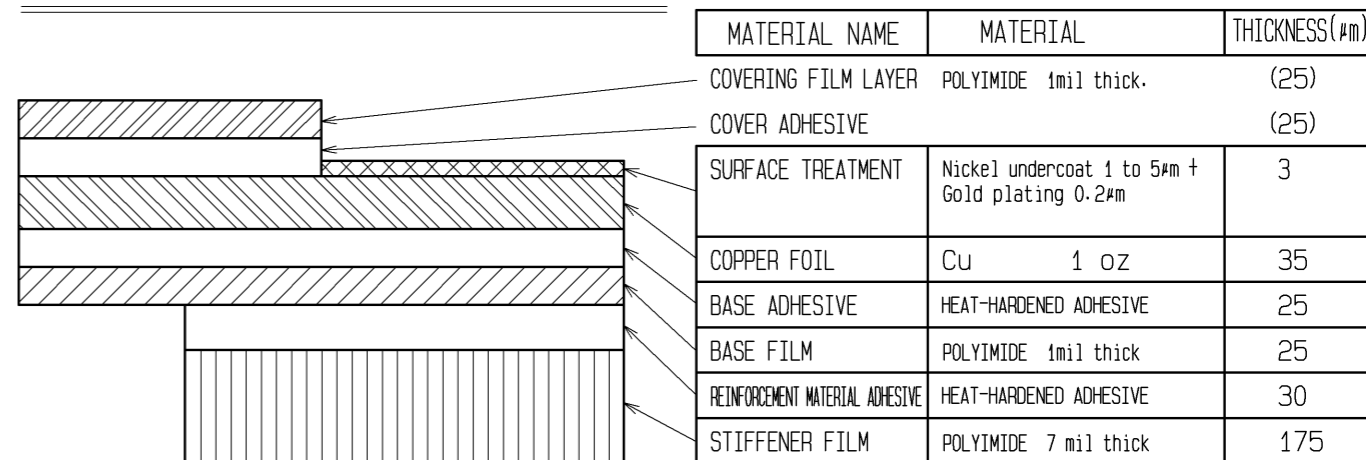
Jul.1.2019 Copyright 2019 HIROSE ELECTRIC CO., LTD. All Rights Reserved.  
 In case of consideration for using Automotive equipment / device which demand high reliability, kindly contact our sales window correspondents.

RECOMMENDED FPC/FFC (15:1)

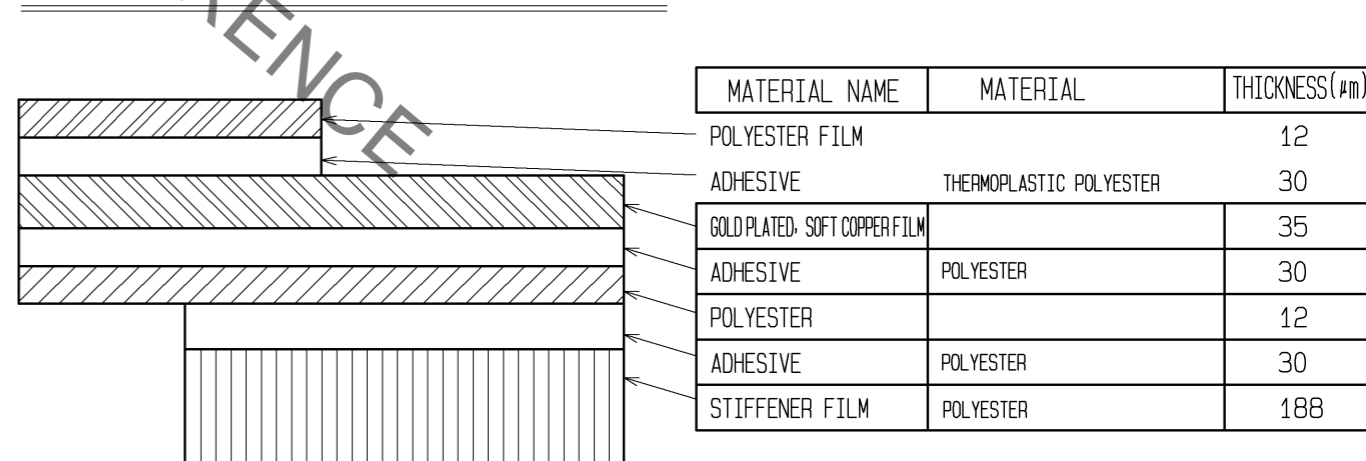


7 Thickness of supporting tape shall be 0.188(7.5mil) MIN.

FPC CONFIGURATION (REFERENCE EXAMPLE) (SCALE:FREE)

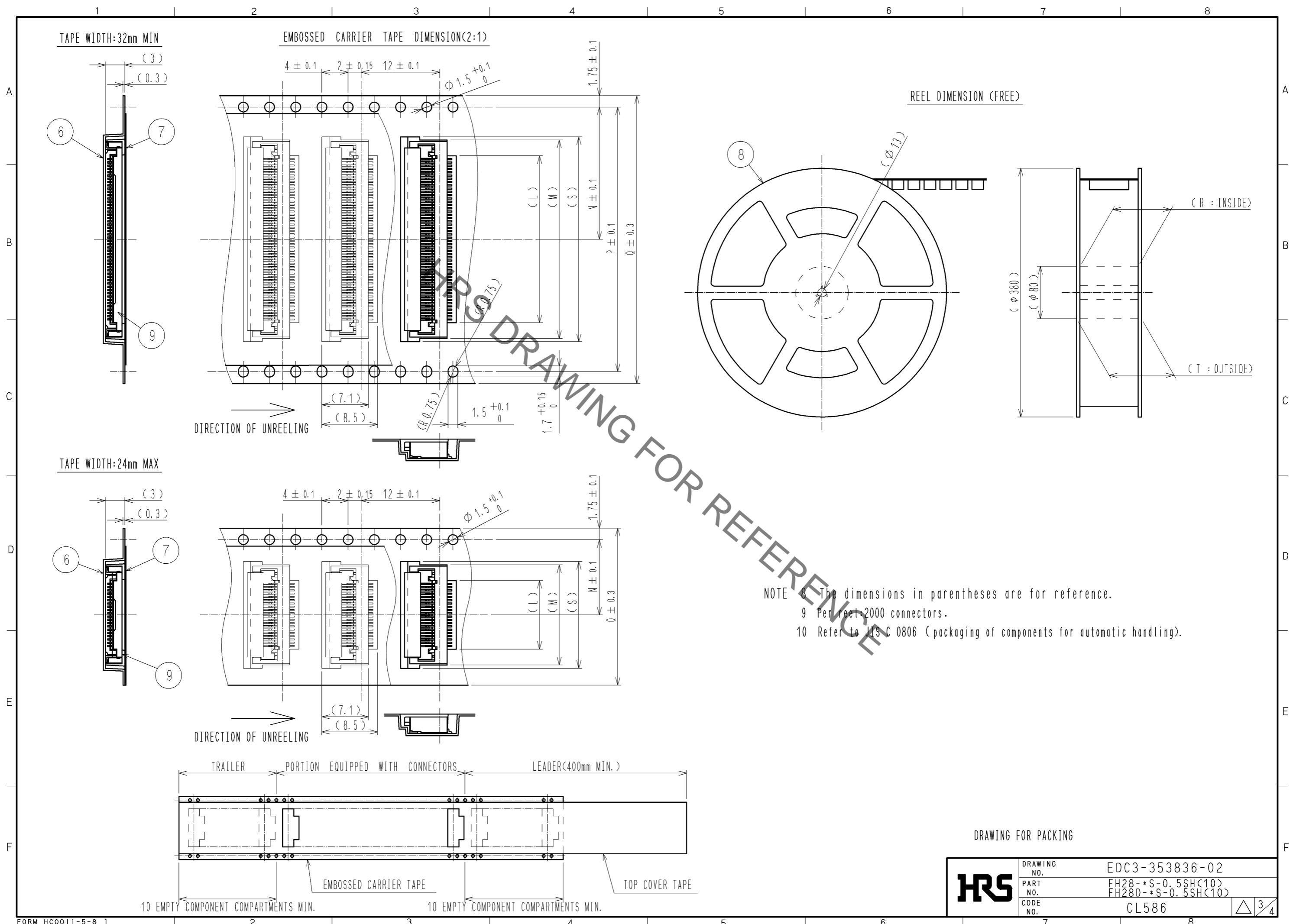


FFC CONFIGURATION (REFERENCE EXAMPLE) (SCALE:FREE)



|            |             |                    |
|------------|-------------|--------------------|
| <b>HRS</b> | DRAWING NO. | EDC3-353836-02     |
|            | PART NO.    | FH28-*S-0.5SH<10>  |
|            | PART NO.    | FH28D-*S-0.5SH<10> |
|            | CODE NO.    | CL586              |

Jul.1.2019 Copyright 2019 HIROSE ELECTRIC CO., LTD. All Rights Reserved.  
 In case of consideration for using Automotive equipment / device which demand high reliability, kindly contact our sales window correspondents.



TAPE WIDTH: 32mm MIN

EMBOSSED CARRIER TAPE DIMENSION(2:1)

REEL DIMENSION (FREE)

TAPE WIDTH: 24mm MAX


NOTE 8 The dimensions in parentheses are for reference.  
 9 Per reel 2000 connectors.  
 10 Refer to JIS C 0806 (packaging of components for automatic handling).

DRAWING FOR PACKING

|            |             |   |
|------------|-------------|---|
| <b>HRS</b> | DRAWING NO. | EDC3-353836-02                          |
|            | PART NO.    | FH28-*S-0.5SH<10><br>FH28D-*S-0.5SH<10> |
|            | CODE NO.    | CL586                                   |
|            |             | 3/4                                     |

Jul.1.2019 Copyright 2019 HIROSE ELECTRIC CO., LTD. All Rights Reserved.  
 In case of consideration for using Automotive equipment / device which demand high reliability, kindly contact our sales window correspondents.

| PART NO.            | CODE NO.        | Number of contact | DIMENSION TABLE OF CONNECTOR, FPC, FFC, LAND PATTERN AND STENCIL PATTERN |      |       |       |       |       |      |      |      |      | DIMENSION TABLE OF DRAWING FOR PACKING |      |      |      |    |      |      |      |
|---------------------|-----------------|-------------------|--|------|-------|-------|-------|-------|------|------|------|------|--|------|------|------|----|------|------|------|
|                     |                 |                   | A  | B    | C     | D     | E     | F     | G    | H    | J    | K    | L                                      | M    | N    | P    | Q  | R    | T    | S    |
| FH28 -10S-0.5SH(10) | CL586-1861-4-10 | 10                | 4.5  | 8.8  | 5.57  | 6.15  | 7.35  | 9.58  | 5.5  | 7.1  | 10.6 | 7    | 5.5                                    | 10.3 | 11.5 | -    | 24 | 25.4 | 29.4 | 11.3 |
| FH28 -15S-0.5SH(10) | CL586-1868-3-10 | 15                | 7  | 12.4 | 8.07  | 8.65  | 9.85  | 12.08 | 8    | 9.6  | 13.1 | 9.5  | 8                                      | 12.8 | 11.5 | -    | 24 | 25.4 | 29.4 | 13.8 |
| FH28D-20S-0.5SH(10) | CL586-1823-5-10 | 20                | 9.5  | 14.9 | 10.57 | 11.15 | 12.35 | 14.58 | 10.5 | 12.1 | 15.6 | 12   | 10.5                                   | 15.3 | 11.5 | -    | 24 | 25.4 | 29.4 | 16.3 |
| FH28D-28S-0.5SH(10) | CL586-1835-4-10 | 28                | 13.5   | 18.9 | 14.57 | 15.15 | 16.35 | 18.58 | 14.5 | 16.1 | 19.6 | 16   | 14.5                                   | 19.3 | 14.2 | 28.4 | 32 | 33.4 | 37.4 | 20.3 |
| FH28D-30S-0.5SH(10) | CL586-1827-6-10 | 30                | 14.5   | 19.9 | 15.57 | 16.15 | 17.35 | 19.58 | 15.5 | 17.1 | 20.6 | 17   | 15.5                                   | 20.3 | 14.2 | 28.4 | 32 | 33.4 | 37.4 | 21.3 |
| FH28 -40S-0.5SH(10) | CL586-1803-8-10 | 40                | 19.5   | 24.9 | 20.57 | 21.15 | 22.35 | 24.58 | 20.5 | 22.1 | 25.6 | 22   | 20.5                                   | 25.3 | 20.2 | 40.4 | 44 | 45.4 | 49.4 | -    |
| FH28 -45S-0.5SH(10) | CL586-1848-6-10 | 45                | 22   | 27.4 | 23.07 | 23.65 | 24.85 | 27.08 | 23   | 24.6 | 28.1 | 24.5 | 23                                     | 27.8 | 20.2 | 40.4 | 44 | 45.4 | 49.4 | 28.8 |
| FH28 -50S-0.5SH(10) | CL586-1801-2-10 | 50                | 24.5   | 29.9 | 25.57 | 26.15 | 27.35 | 29.58 | 25.5 | 27.1 | 30.6 | 27   | 25.5                                   | 30.3 | 20.2 | 40.4 | 44 | 45.4 | 49.4 | -    |
| FH28 -55S-0.5SH(10) | CL586-1800-0-10 | 55                | 27   | 32.4 | 28.07 | 28.65 | 29.85 | 32.08 | 28   | 29.6 | 33.1 | 29.5 | 28                                     | 32.8 | 20.2 | 40.4 | 44 | 45.4 | 49.4 | -    |
| FH28 -60S-0.5SH(10) | CL586-1811-6-10 | 60                | 29.5   | 34.9 | 30.57 | 31.15 | 32.35 | 34.58 | 30.5 | 32.1 | 35.6 | 32   | 30.5                                   | 35.3 | 26.2 | 52.4 | 56 | 57.4 | 61.4 | -    |
| FH28D-64S-0.5SH(10) | CL586-1813-1-10 | 64                | 31.5   | 36.9 | 32.57 | 33.15 | 34.35 | 36.58 | 32.5 | 34.1 | 37.6 | 34   | 32.5                                   | 37.3 | 26.2 | 52.4 | 56 | 57.4 | 61.4 | -    |
| FH28D-68S-0.5SH(10) | CL586-1819-8-10 | 68                | 33.5   | 38.9 | 34.57 | 35.15 | 36.35 | 38.58 | 34.5 | 36.1 | 39.6 | 36   | 34.5                                   | 39.3 | 26.2 | 52.4 | 56 | 57.4 | 61.4 | -    |
| FH28D-74S-0.5SH(10) | CL586-1828-9-10 | 74                | 36.5   | 41.9 | 37.57 | 38.15 | 39.35 | 41.58 | 37.5 | 39.1 | 42.6 | 39   | 37.5                                   | 42.3 | 26.2 | 52.4 | 56 | 57.4 | 61.4 | 43.3 |

|            |             |   |
|------------|-------------|---|
| <b>HRS</b> | DRAWING NO. | EDC3-353836-02  |
|            | PART NO.    | FH28-*S-0.5SH(10)<br>FH28D-*S-0.5SH(10)   |
|            | CODE NO.    | CL586   |
|            |             |  4/4 |

## Looking for pricing, stock, or lifecycle information?

Click below to explore more details on WIN SOURCE:

- [View FH28-15S-0.5SH\(10\) on WIN SOURCE](#)
- [Hirose Electric Co Ltd Information](#)

## Optimize Your Supply Chain with WIN SOURCE Solutions

- ✓ Global Sourcing Solution
- ✓ Obsolete Management
- ✓ Cost Control Management
- ✓ Shortage Management
- ✓ Alternative Solution
- ✓ Excess Inventory Management