



**THE DATASHEET OF
HCS3-01A4-RT**



A	B	C	D				
1	PART NUMBER	FIG	"A" REF	"B" MAX	"C"	MOUNTING HOLE	PART NUMBER
	MATERIAL: NYLON 6/6 UL94 V-2(RMS-01) COLOUR:NATURAL						
	HCS1-01	1	34[1.338]	29[1.141]	16[.629]	$\varnothing 4 - 4.8[.157 - .189]$	
	HCS2-01		36.8 [1.448]	28.7[1.129]	18.2[.716]	$\varnothing 6 - 6.8[.236 - .267]$	
	HCS3-01A4-RT	2	29.5[1.16]	27.5[1.082]	-		
	ADHESIVE: RMS-24, DOUBLE SIDED ADHESIVE TAPE WITH RELEASE TAB						
2	MATERIAL: NYLON 6/6 UL94 V-0(RMS-19)COLOUR: NATURAL AVAILABLE BY SPECIAL ORDER						

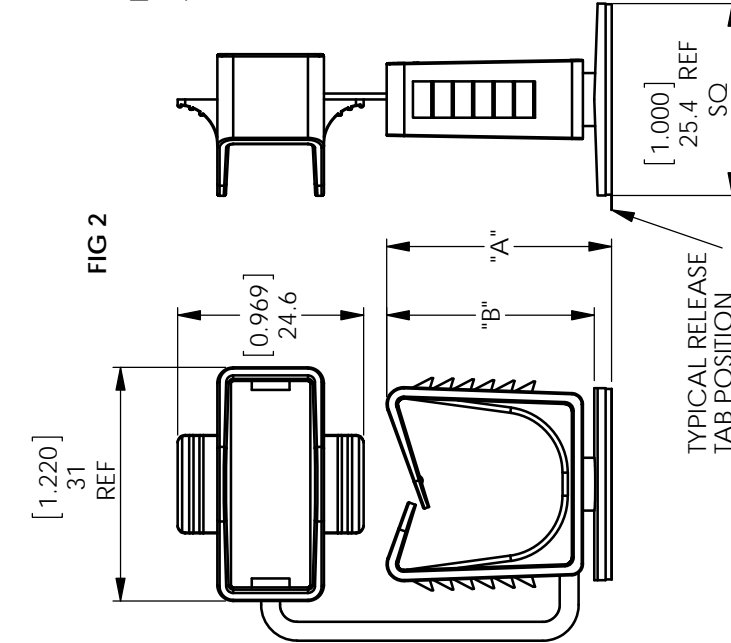
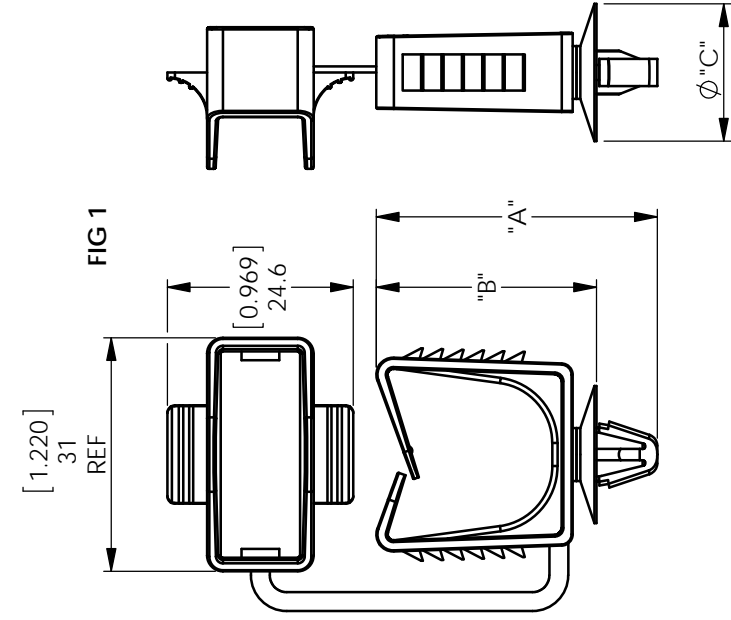


FIG 1

FIG 2

NOTE:

- 1. STRAP CAN

3	INFORMA RICHIC REPRO	A	DRN
4	RICH WWW.R		SF
	MATERIA SEE TA		
	DESCRIP HING		
	DRG No		

Looking for pricing, stock, or lifecycle information?

Click below to explore more details on WIN SOURCE:

-  [View HCS3-01A4-RT on WIN SOURCE](#)
-  [Essentra Components](#) Information

Optimize Your Supply Chain with WIN SOURCE Solutions

-  Global Sourcing Solution
-  Obsolete Management
-  Cost Control Management
-  Shortage Management
-  Alternative Solution
-  Excess Inventory Management