



**THE DATASHEET OF
JM38510/13501BGA**





JM38510/13501/13502

ULTRA-LOW OFFSET VOLTAGE
OPERATIONAL AMPLIFIERS

Precision Monolithics Inc.

T-79-06-10

FEATURES

- Low V_{OS} $25\mu V$
- Low V_{OS} Drift $0.6\mu V/^\circ C$
- Low Noise $0.6\mu V_{p-p}$
- Wide Supply Voltage Range $\pm 4.5V$ to $\pm 20V$

ORDERING INFORMATION

JAN SLASH SHEET	PMI DEVICE
JM38510/13501BGC	OP07AJ1/38510
JM38510/13501BGA	OP07AJ5/38510
JM38510/13501SGA	OP07SAJ5/38510
JM38510/13501BPB	OP07AZ2/38510
JM38510/13501BPA	OP07AZ5/38510
JM38510/13501SPA	OP07SAZ5/38510
JM38510/13502BGC	OP07J1/38510
JM38510/13502BGA	OP07J5/38510
JM38510/13502SGA	OP07SJ5/38510
JM38510/13502BPB	OP07Z2/38510
JM38510/13502BPA	OP07Z5/38510
JM38510/13502SPA	OP07SZ5/38510

GENERAL DESCRIPTION

This data sheet covers the electrical requirements for a monolithic, low offset voltage, internally-compensated operational amplifier as specified in MIL-M-38510/135 for device type 01 and 02. Devices supplied to this data sheet are manufactured and tested at PMI's MIL-M-38510 certified facility and are listed in QPL-38510.

Complete device requirements will be found in MIL-M-38510 and MIL-M-38510/135 for Class B and Class S processed devices.

GENERIC CROSS-REFERENCE INFORMATION

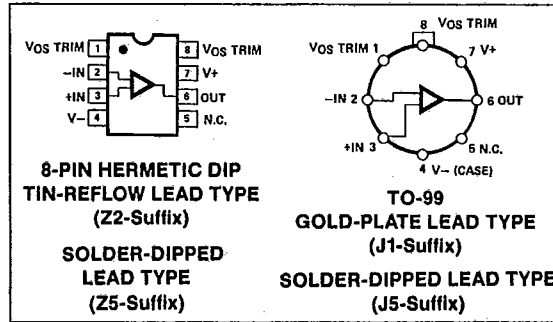
This cross-reference information is presented for the convenience of the user. The generic-industry types listed may not

have identical operational performance characteristics across the military temperature range or reliability factors equivalent to the MIL-M-38510 device.

MILITARY DEVICE TYPE	GENERIC-INDUSTRY TYPE
01	OP07A
02	OP07

For an 833-processed device with improved electrical specifications, review the OP-07 data sheet.

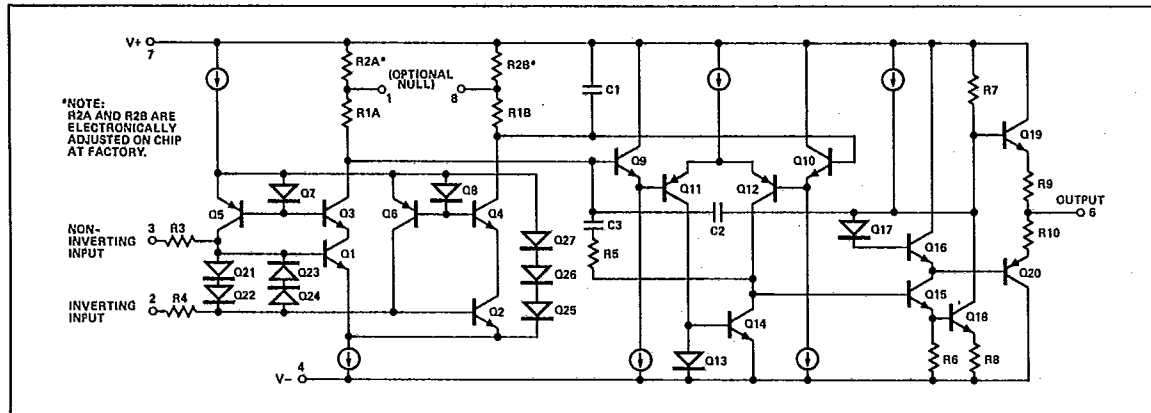
PIN CONNECTIONS



POWER AND THERMAL CHARACTERISTICS

Case Outline	Package	Maximum Allowable Power Dissipation	Maximum θ_{JC}	Maximum θ_{JA}
P	Dual-In-Line	208mW @ $T_A = 125^\circ C$	50°C/W	120°C/W
G	8-Lead CAN	167mW @ $T_A = 125^\circ C$	40°C/W	150°C/W

SIMPLIFIED SCHEMATIC





ANALOG DEVICES/ PMI DIV

26E D 0816805 0009027 3

ABSOLUTE MAXIMUM RATINGS

Supply Voltage (V_{CC})	$\pm 22V$
Input Voltage Range (V_{IN})	$\pm V_{CC}$
Differential Input Voltage Range	$\pm 30V$
Output Short-Circuit Duration (Note 1)	
Lead Temperature (Soldering, 60 sec)	$+300^{\circ}C$
Storage Temperature Range	$-65^{\circ}C$ to $+150^{\circ}C$
Junction Temperature (T_J)	$+150^{\circ}C$
Maximum Power Dissipation (P_D) (Note 2)	500mW

RECOMMENDED OPERATING CONDITIONS

Supply Voltage Range	$\pm 4.5V$ to $\pm 20V$
Ambient Temperature Range	$-55^{\circ}C$ to $+125^{\circ}C$

T-79-06-10

NOTES:

- Output may be shorted to ground indefinitely at $V_S = \pm 15V$, $T_A = 25^{\circ}C$. Temperature and/or supply voltages must be limited to ensure dissipation rating is not exceeded.
- Maximum power dissipation versus ambient temperature.

ELECTRICAL CHARACTERISTICS at $\pm 4.5V \leq V_{CC} \leq \pm 20V$ and $-55^{\circ}C \leq T_A \leq 125^{\circ}C$, $R_S = 50\Omega$ unnullified, unless otherwise noted.

PARAMETER	SYMBOL	CONDITIONS	01 LIMITS		02 LIMITS		UNITS
			MIN	MAX	MIN	MAX	
Input Offset Voltage	V_{IO}	$T_A = 25^{\circ}C$ (Notes 1, 2)	-25 -60	25 60	-75 -200	75 200	μV
Input Offset Voltage Temperature Sensitivity	$\Delta V_{IO}/\Delta T$	(Note 1)	-0.6	0.6	-1.3	1.3	$\mu V/^{\circ}C$
Input Bias Current	$+I_{IB}$	$T_A = 25^{\circ}C$ (Note 1)	-2 -4	2 4	-3 -6	3 6	nA
	$-I_{IB}$	$T_A = 25^{\circ}C$ (Note 1)	-2 -4	2 4	-3 -6	3 6	
Input Offset Current	I_{IO}	$T_A = 25^{\circ}C$ (Note 1)	-2 -4	2 4	-2.8 -5.6	2.8 5.6	nA
	+PSRR	$+V_{CC} = 20V$ to $5V$, $-V_{CC} = -15V$ $T_A = 25^{\circ}C$	—	10	—	10	
	-PSRR	$+V_{CC} = 15V$, $-V_{CC} = -20V$ to $-5V$ $T_A = 25^{\circ}C$	—	10	—	10	
	+PSRR	$+V_{CC} = 20V$ to $5V$, $-V_{CC} = -15V$	—	20	—	20	
	-PSRR	$+V_{CC} = 15V$, $-V_{CC} = -20V$ to $-5V$	—	20	—	20	
	PSRR	$V_{CC} = \pm 4.5V$ to $\pm 20V$ $T_A = 25^{\circ}C$	—	10	—	10	
		$V_{CC} = \pm 4.5V$ to $\pm 20V$	—	20	—	20	
Power Supply Rejection Ratio							$\mu V/V$

NOTES:

- Tested at $V_{CM} = 0$, $V_{CC} = \pm 15V$.
- Due to the inherent warm-up drift, testing shall occur no sooner than three (3) minutes after application of power.

5

OPERATIONAL AMPLIFIERS/BUFFERS



ELECTRICAL CHARACTERISTICS at $\pm 4.5V \leq V_{CC} \leq \pm 20V$ and $-55^\circ C \leq T_A \leq +125^\circ C$, $R_S = 50\Omega$ unnull'd, unless otherwise noted. *Continued*

T-79-06-10

PARAMETER	SYMBOL	CONDITIONS	01 LIMITS		U2 LIMITS		UNITS
			MIN	MAX	MIN	MAX	
Common-Mode Rejection Ratio	CMRR	$V_{CM} = \pm 13V, T_A = +25^\circ C, V_{CC} = \pm 15V$	110	-	110	-	dB
		$V_{CM} = \pm 13C, V_{CC} = \pm 15V$	106	-	106	-	
Adjustment for Input Offset	$V_{IO} \text{ Adj (+)}$	$T_A = +25^\circ C$ (Note 1)	0.5	-	0.5	-	mV
	$V_{IO} \text{ Adj (-)}$	$T_A = +25^\circ C$ (Note 1)	-	0.5	-	0.5	
Output Short-Circuit Current	$I_{OS(+)}$	$t \leq 25ms$ (Notes 1, 3) $T_A = +25^\circ C, +125^\circ C$ $T_A = -55^\circ C$	-65	-	-65	-	mA
	$I_{OS(-)}$	$t \leq 25ms$ (Notes 1, 3) $T_A = +25^\circ C, +125^\circ C$ $T_A = -55^\circ C$	-	65	-	65	
Supply Current	I_{CC}	$T_A = +25^\circ C$	-	4	-	4	mA
		(Note 1)	-	5	-	5	
Output Voltage Swing (Minimum)	V_{OP}	$R_L = 1k\Omega$ (Note 1)	-10	10	-10	10	V
		$R_L = 2k\Omega$ (Note 1)	-12	12	-12	12	
Open-Loop Voltage Gain (Single-Ended)	A_{VS}	$T_A = +25^\circ C$	300	-	200	-	V/mV
		(Notes 1, 2)	200	-	150	-	
Slew Rate	$SR(+), SR(-)$	$V_{IN} = 10V, T_A = +25^\circ C$, (Note 1)	0.08	-	0.08	-	V/ μs
Input Noise Voltage Density	e_n	$f_O = 10Hz$	-	18	-	18	nV/ \sqrt{Hz}
		$f_O = 100Hz, T_A = +25^\circ C$ (Note 1)	-	14	-	14	
		$f_O = 1kHz$	-	12	-	12	
Low Frequency Input Noise Voltage	e_{np-p}	$f = 0.1Hz$ to $10Hz, T_A = 25^\circ C$, (Note 1)	-	0.6	-	0.6	μV_{p-p}

NOTES:

1. Tested at $V_{CM} = 0, V_{CC} = \pm 15V$.
2. $V_{OUT} = 0$ to $+10V$ for $A_{VS(+)}$ and $V_{OUT} = 0$ to $-10V$ for $A_{VS(-)}$; $R_L = 2k\Omega$.
3. Continuous short-circuit limits are considerably less than the indicated test limits, since maximum power dissipation cannot be exceeded.

Looking for pricing, stock, or lifecycle information?

Click below to explore more details on WIN SOURCE:

- [View JM38510/13501BGA on WIN SOURCE](#)
- [Analog Devices Inc. Information](#)

Optimize Your Supply Chain with WIN SOURCE Solutions

- ✓ Global Sourcing Solution
- ✓ Obsolete Management
- ✓ Cost Control Management
- ✓ Shortage Management
- ✓ Alternative Solution
- ✓ Excess Inventory Management