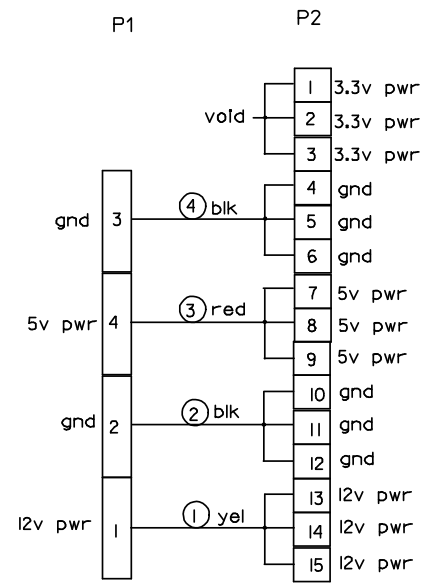
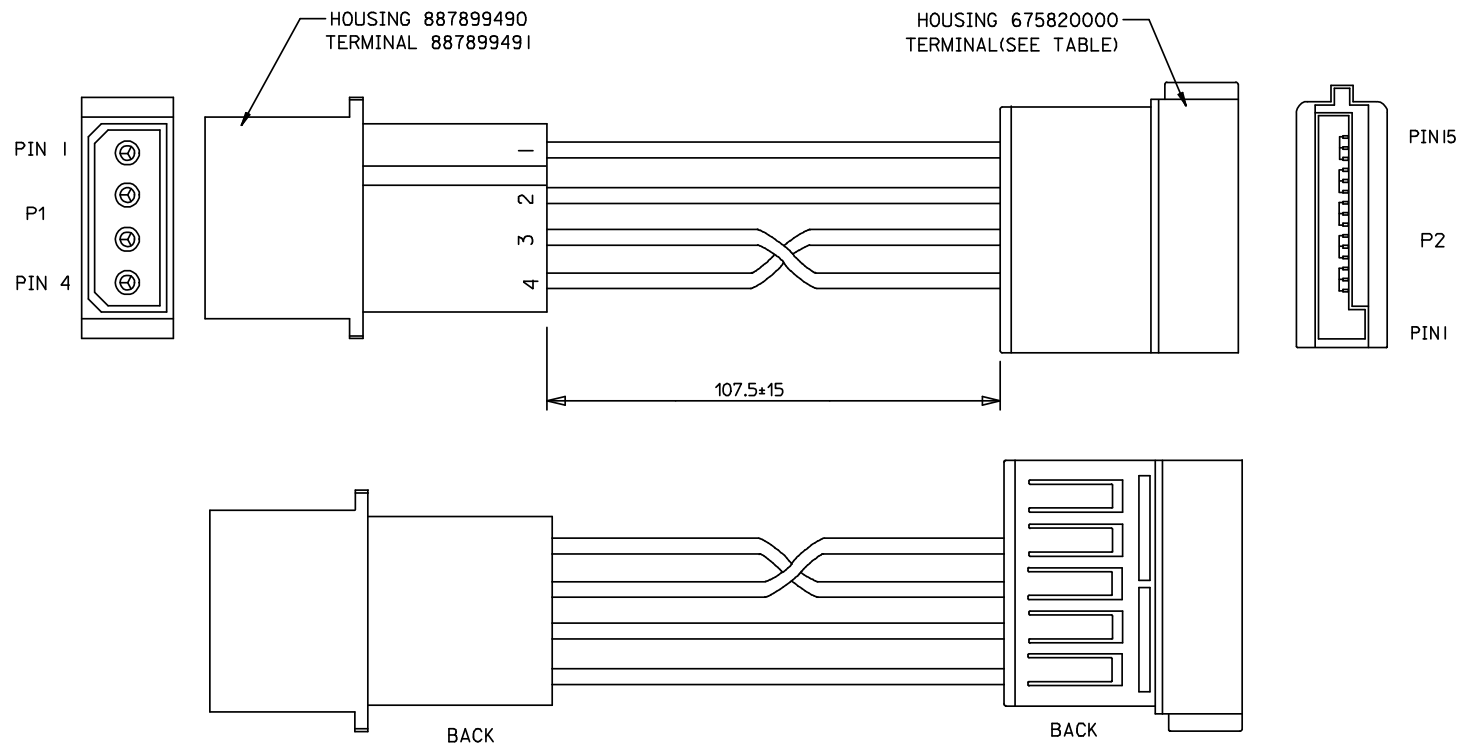




**THE DATASHEET OF**  
**887511310**





NOTE: 1. ELECTRIC PERFORMANCE.  
 DIELECTRIC STRENGTH: 500V DC/0.01Sec.  
 INSULATION RESISTANCE: 100M OHMS Min.  
 CONNECTION RESISTANCE: 2 OHMS Max.

2. HOUSING 687520000:  
 POLYESTER(PBT), UL94V-0(BLACK)  
 TERMINAL 675810000  
 AU FLASH PLATING

887511311	675810001 30u" Gold-plated
887511310	675810000 GOLD FLASH
MATERIAL NO.	TERMINAL

4	UL1007 *18 BLK 887711300
3	UL1007 *18 RED 887711301
2	UL1007 *18 BLK 887711300
1	UL1007 *18 YEL 887711303
Item	WIRE TYPE

TABLE

CONNECTION DIAGRAM

EC NO: DG2008-0074 DRWN: ZWSHAO CHKD: APPR: BLAU	DESCRIPTION 2008/02/20 2008/02/20 2008/02/21	QUALITY SYMBOLS	GENERAL TOLERANCES (UNLESS SPECIFIED)		DIMENSION STYLE MM ONLY		SCALE ---	DESIGN UNITS METRIC	THIRD ANGLE PROJECTION		
		=0 =0	mm	INCH	DRAWN BY ZWSHAO	DATE 2008/02/20	TITLE SATA POWER CABLE				
		4 PLACES ± --- ± ---	3 PLACES ± --- ± ---	2 PLACES ± --- ± ---	1 PLACE ± --- ± ---	CHECKED BY ARKAN					
		ANGULAR ± ---°	DRAFT WHERE APPLICABLE MUST REMAIN WITHIN DIMENSIONS		APPROVED BY BLAU	DATE 2008/02/20	MOLEX MOLEX INCORPORATED				
REV			MATERIAL NO. 887511310/887511311		DOCUMENT NO. SD-88755-001			SHEET NO. 1 OF 1			

6

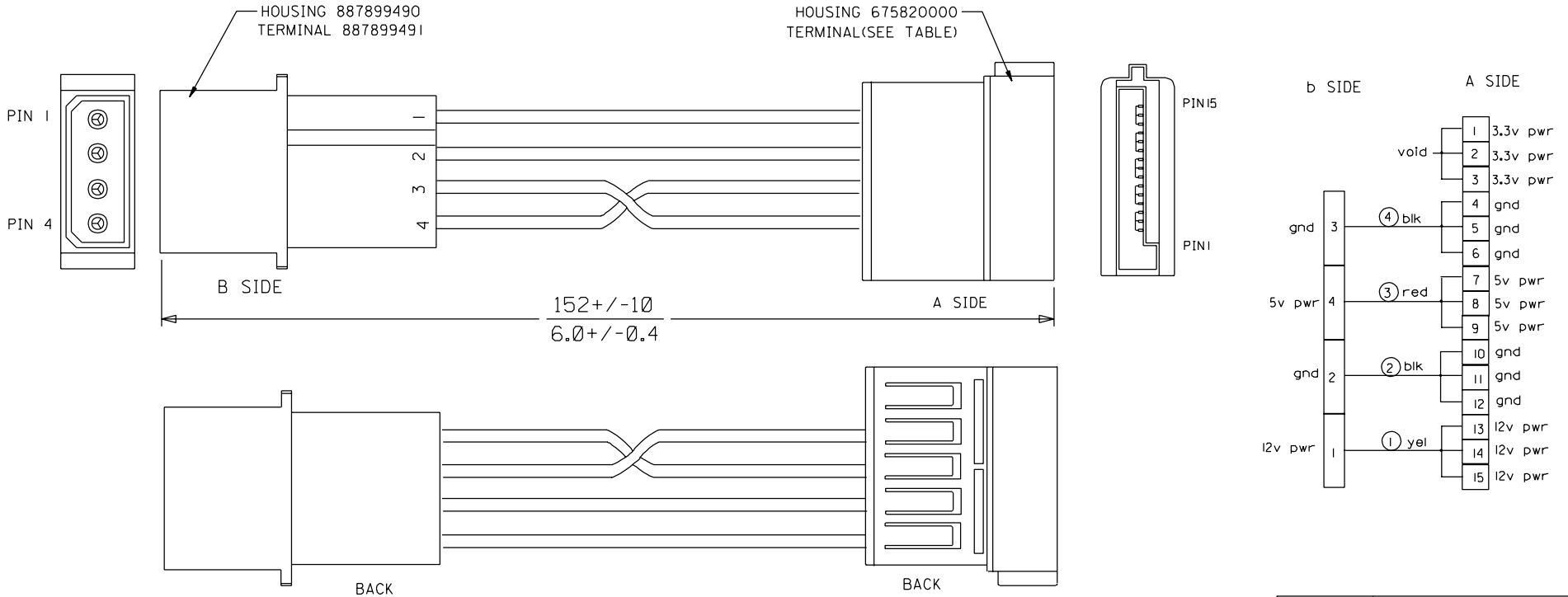
5

4

3

2

1



NOTE: 1. ELECTRIC PERFORMANCE:  
 DIELECTRONIC STRENGTH: 500 V DC/0.01Sec.  
 INSULATION RESISTANCE: 100M OHMS Min.  
 CONDUCTIVE RESISTANCE: 2 OHMS Max.

2. HOUSING 675820000:  
 POLYESTER(PBT), UL94V-0(BLACK)

887511311	675810001 30u" Gold-plated
887511310	675810000 GOLD FLASH
MATERIAL NO.	TERMINAL

TABLE

4	UL1007 #18 BLK 887711300
3	UL1007 #18 RED 887711301
2	UL1007 #18 BLK 887711300
1	UL1007 #18 YEL 887711303
Item	WIRE TYPE

CONNECTION DIAGRAM			
DIMENSIONS:	<input checked="" type="checkbox"/> mm	<input type="checkbox"/> INCH	<input type="checkbox"/> mm
	<input type="checkbox"/> INCH	<input type="checkbox"/> mm	<input type="checkbox"/> ONLY
SHT	REV	REVISE ON CAD ONLY	

EC NO. DRWN: Louis 04/03/23 CHK: APPR:	EC NO. DRWN: BENTZ 02/08/08 CHK: APPR:	DESCRIPTION REV	QUALITY SYMBOLS MAJOR ▼ = 0 CRITICAL ▽ = 0	GENERAL TOLERANCES: (UNLESS SPECIFIED)		SCALE	DESIGN UNITS <input checked="" type="checkbox"/> mm <input type="checkbox"/> INCH	THIRD ANGLE PROJECTION <input checked="" type="checkbox"/> <input type="checkbox"/>	TITLE: S-ATA POWER ADAPTER CABLE ASSEMBLY, 6 INCH (5V+12V)
				mm	INCH	DRAWN BY & DATE BENTZ 02/08/08			
4 PLACES ±0.				±.	CHECKED BY & DATE Tony Wong 02/08/08		MATERIAL NO. SEE TABLE		
3 PLACES ±0.				±.	APPROVED BY & DATE Tony Wong 02/08/08		DRAWING NO. SD-88755-001		
2 PLACES ±0.				±.	CAD FILENAME S88755AA.S01		SHEET NO. 1 OF 1		
1 PLACE ±0.				±.	ANGULAR: ± °		THIS DRAWING CONTAINS INFORMATION THAT IS PROPRIETARY TO MOLEX INCORPORATED AND SHOULD NOT BE USED WITHOUT WRITTEN PERMISSION.		
B				A	REV		SIZE A4		

## Looking for pricing, stock, or lifecycle information?

Click below to explore more details on WIN SOURCE:

[View 887511310 on WIN SOURCE](#)

[Molex, LLC Information](#)

## Optimize Your Supply Chain with WIN SOURCE Solutions

- ✓ Global Sourcing Solution
- ✓ Obsolete Management
- ✓ Cost Control Management
- ✓ Shortage Management
- ✓ Alternative Solution
- ✓ Excess Inventory Management