



**THE DATASHEET OF
HM2DK1235RLF**

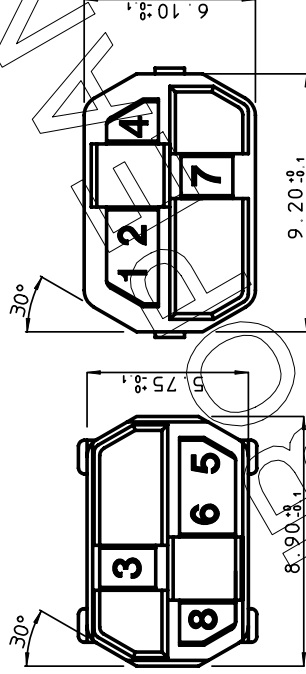
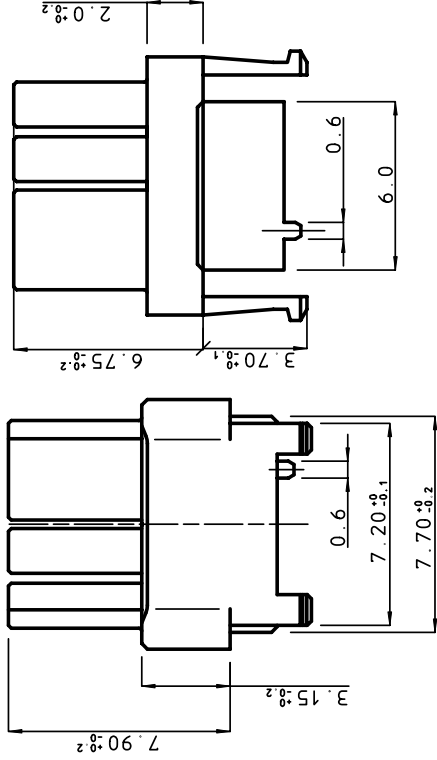


RoHS-6 COMPL
(DIGIT)

HM2DK-----LF

CATALOG NRS

HM2DK***PPLF (FOR PLUG MODULES)	HM2DK***RRL (FOR RECEPTACLE MODULES)
4678 #	1235 #
3578	1246
3568	1247
3478	1256
3467	1258
3456	1278
2578	1346
2568	1347
2567	1348
2467	1358
2458	1367
2368	1457
2367	1458
2346	1578
1678	2345
1567	2348
1457	2368
1456	2378
1356	2478
1347	2568
1268	3457
1267	3458
1258	3467
1248	3567
1247	3568
1238	4567
1236	4578
1235	4678



NOTES:

1. THE PRODUCT (LF) MEETS EUROPEAN UNION DIRECTIVES AND OTHER COUNTRY REGULATIONS AS DESCRIBED IN GS-22-008

THIS IS OUR EXCLUSIVE PROPERTY. IT IS NOT TO BE COPIED, REPRODUCED OR DISCLOSED TO THIRD PARTY, AND USED FOR UNAUTHORIZED USE WITHOUT OUR WRITTEN CONSENT, AND HAS TO BE RETURNED TO US IN CASE OF NO USAGE

DIT IS ONZE EIGENSCHAP. HET IS NIET TOEGestaan om te kopiëren, te verspreiden of openbaar te maken. Het mag niet worden gebruikt voor andere doeleinden zonder onze schriftelijke toestemming. Het moet worden teruggegeven aan ons in het geval van geen gebruik.



ALL DIMENSIONS IN MM

PR. ENG. MGR.

PR. MGT. MGR.

REFER

COMBINATION SHOWN

1DEC ±0,2	2DEC ±0,1	ANGLES ±1°	APPR.	D
			1993	
			DRAFT	
			CHECKED	
			PROD. MGR	
			PR. ENG. MGR.	
			PR. MGT. MGR.	

4

5

6



7

8

PDM: Rev:1

Looking for pricing, stock, or lifecycle information?

Click below to explore more details on WIN SOURCE:

-  [View HM2DK1235RLF on WIN SOURCE](#)
-  [Amphenol FCI Information](#)

Optimize Your Supply Chain with WIN SOURCE Solutions

-  Global Sourcing Solution
-  Obsolete Management
-  Cost Control Management
-  Shortage Management
-  Alternative Solution
-  Excess Inventory Management