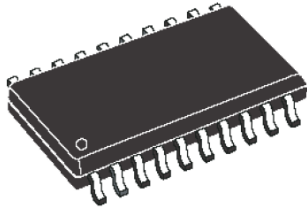




**THE DATASHEET OF  
L6375D013TR**



## 0.5 A high-side driver intelligent power switch



**SO20**

### Features

- 0.5 A output current
- 8 to 35 V supply voltage range
- Internal current limit
- Non-dissipative short-circuit protection
- Thermal shutdown
- Undervoltage lockout with hysteresis
- Internal negative voltage clamping for fast demagnetization
- Differential inputs with large common mode range and threshold hysteresis
- Open load detection
- Two diagnostic outputs
- Open ground protection
- Output status LED driver
- Immunity against burst transient (IEC 61000-4-4)
- ESD protection (human body model  $\pm 2$  kV)

### Description

The L6375D is a monolithic intelligent power switch in multipower BCD technology to drive inductive, capacitive or resistive loads with controlled output voltage slew rate and short-circuit protection. An internal clamping diode enables the fast demagnetization of inductive loads. Diagnostic for CPU feedback and extensive use of electrical protections make this device robust and suitable for industrial automation applications.

Product status link			
<a href="#">L6375D</a>			
Order code	Temperature range	Package	Packing
L6375D	-25 to +125 °C	SO20	Tube
L6375D013TR			Tape and reel

# 1 Pin configuration

Figure 1. Pin connections (top view)

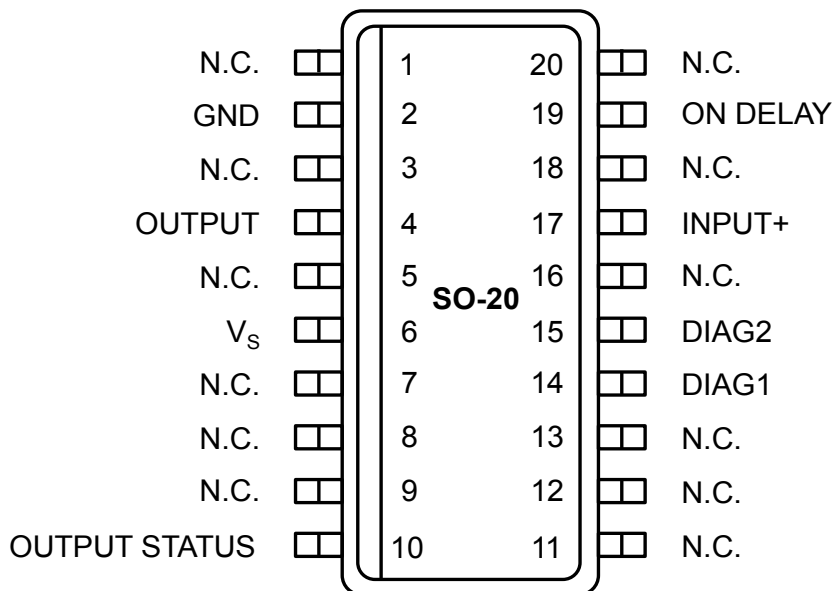


Table 1. Pin description

Pin	Pin name	Function
2	GND	Ground
4	OUTPUT	High side output with built-in current limitation
6	VS	Supply voltage input; the value of the supply voltage is monitored to detect undervoltage condition
10	Output status	This current source output is capable of driving an LED to signal the status of the output pin. The pin is active (source current) when the output pin is considered high
14	DIAG1	DIAGNOSTIC 1 output. This open drain reports the IC working conditions (see Table 6: Diagnostic truth table)
15	DIAG2	DIAGNOSTIC 2 output. This open drain reports the IC working conditions (see Table 6: Diagnostic truth table)
17	IN+	Comparator inverting input
19	ON-DELAY	Programmable ON time interval duration during short-circuit operation
1, 3, 5, 7, 8, 9, 11, 12, 13, 16, 18, 20	N.C.	Not connected

## 2 Maximum ratings

**Table 2. Absolute maximum ratings**

Symbol	Parameter	Value	Unit
$V_s$	Supply voltage ( $t_w \leq 10$ ms)	50	V
	Supply voltage (DC)	40	V
$V_S - V_{OUT}$	Supply to output differential voltage	Internally limited	V
$V_{od}$	ON DELAY pin voltage	-0.3 to 7	V
$I_{od}$	ON DELAY pin current	$\pm 1$	mA
$I_{out}$	Output current	Internally limited	A
$V_{out}$	Output voltage	Internally limited	V
$E_I$	Energy inductive load: $T_J = 85$ °C	200	mJ
$P_{tot}$	Power dissipation	Internally limited	W
$V_{diag}$	DIAGx pin voltage	-0.3 to 40	V
$I_{diag}$	DIAGx pin current	-10 to 10	mA
$I_i$	IN+ pin current	20	mA
$V_i$	IN+ pin voltage	-10 to $V_s + 0.3$	V
$T_{op}$	Ambient temperature, operating range	-25 to 85	°C
$T_J$	Junction temperature, operating range	-25 to 125	°C
$T_{stg}$	Storage temperature	-55 to 150	°C

**Table 3. Thermal data**

Symbol	Parameter	Value	Unit
$R_{th(JA)}$	Thermal resistance junction-ambient	65 max. <sup>(1)</sup>	°C/W
$R_{th(JP)}$	Thermal resistance junction-pins	15 max.	

1. When mounted on an FR4 printed circuit board with 0.5 cm<sup>2</sup> of Cu (at least 35 mm thick).

### 3 Electrical characteristics

$V_S = 24\text{ V}$ ;  $T_J = -25\text{ to }125\text{ }^\circ\text{C}$ , unless otherwise specified.

**Table 4. Electrical characteristics**

Symbol	Parameter	Test conditions	Min.	Typ.	Max.	Unit
$V_{smin}$	Supply voltage for valid diagnostic	$I_{diag} \geq 0.5\text{ mA}$ ; $V_{diag} = 1.5\text{ V}$	4		35	V
$V_S$	Operative supply voltage		8	24	35	V
$V_{sth1}$	Undervoltage threshold 1		7	7.5	8	V
$V_{sth2}$	Undervoltage threshold 2		6.5	7	7.5	V
$V_{shys}$	Undervoltage hysteresis		300	500	700	mV
$I_q$	Quiescent current	Output open		800		$\mu\text{A}$
$I_{qo}$		Output on		1.6		mA
$V_{ith}$	IN+ pin threshold voltage		0.8	1.3	2	V
$V_{iths}$	IN+ pin threshold hysteresis		50		400	mV
$V_{il}$	IN+ pin low level voltage		-7		0.8	V
$V_{ih}$	IN+ pin high level voltage	$V_S < 18\text{ V}$	2		$V_S - 3$	V
		$V_S > 18\text{ V}$	2		15	
$I_{ib}$	IN+ pin bias current	$V_i = -7\text{ to }15\text{ V}$	-250		250	$\mu\text{A}$
$I_{dch}$	Delay capacitor charging current	ON DELAY pin shorted-to-ground		2.5		$\mu\text{A}$
$V_{don}$	Output voltage drop	$I_{out} = 500\text{ mA}$ ; $T_J = 25\text{ }^\circ\text{C}$		200	280	mV
		$T_J = 125\text{ }^\circ\text{C}$		320	440	
		$I_{out} = 625\text{ mA}$ ; $T_J = 25\text{ }^\circ\text{C}$		250	350	
		$T_J = 125\text{ }^\circ\text{C}$		400	550	
$I_{olk}$	Output leakage current	$V_i = \text{low}$ ; $V_{out} = 0$			100	$\mu\text{A}$
$V_{ol}$	Output low-state voltage	$V_i = \text{high}$ ; pin floating		0.8	1.5	V
$V_{cl}$	Internal voltage clamp ( $V_S - V_{out}$ )	$I_o = 200\text{ mA}$ single pulsed = 300 ms	48	53	58	V
$I_{SC}$	Short-circuit output current	$V_S = 8\text{ to }35\text{ V}$ ; $R_i = 2\ \Omega$	0.75	1.1	1.5	A
$I_{old}$	Open load detection current	$V_i = V_{ih}$ ; $T_A = 0\text{ to }+85\text{ }^\circ\text{C}$	1	3	6	mA
$V_{oth1}$	Output status threshold 1 voltage		4.5	5	5.5	V
$V_{oth2}$	Output status threshold 2 voltage		4	4.5	5	V
$V_{ohys}$	Output status threshold hysteresis		300	500	700	mV
$I_{osd}$	Output status source current	$V_{out} > V_{oth1}$ ; $V_{OS} = 2.5\text{ V}$	2		4	mA
$V_{osd}$	Active output status driver drop voltage	$V_S - V_{OS}$ ; $I_{OS} = 2\text{ mA}$ ; $T_A = 0\text{ to }+85\text{ }^\circ\text{C}$		1.5	3	V
$I_{oslk}$	Output status driver leakage current	$V_{out} < V_{oth2}$ ; $V_{OS} = 0\text{ V}$ ; $V_S = 18\text{ to }35\text{ V}$			25	$\mu\text{A}$

Symbol	Parameter	Test conditions	Min.	Typ.	Max.	Unit
V <sub>dgl</sub>	Diagnostic drop voltage	D1 / D2 = L; I <sub>diag</sub> = 0.5 mA		40		mV
		D1 / D2 = L; I <sub>diag</sub> = 3 mA		250		
I <sub>dglk</sub>	Diagnostic leakage current	D1 / D2 = H; 0 < V <sub>dg</sub> < V <sub>S</sub> V <sub>S</sub> = 15.6 to 35 V			5	μA
T <sub>max.</sub>	Overtemperature upper threshold			150		°C
T <sub>hys</sub>	Overtemperature hysteresis			20		°C
<b>AC operation</b>						
t <sub>r</sub> - t <sub>f</sub>	Rise or fall time	V <sub>S</sub> = 24 V; R <sub>I</sub> = 70 Ω; R <sub>I</sub> to ground		20		μs
t <sub>d</sub>	Delay time			5		
dV/dt	Slew rate (rising and falling edge)		0.7	1	1.5	V/μs
t <sub>ON</sub>	On-time during short-circuit condition	50 pF < C <sub>DON</sub> < 2 nF		1.28		μs/pF
t <sub>OFF</sub>	Off-time during short-circuit condition			64		t <sub>ON</sub>
f <sub>max.</sub>	Maximum operating frequency			25		kHz
<b>Source drain NDMOS diode</b>						
V <sub>fSD</sub>	Forward on voltage	I <sub>fSD</sub> = 625 mA		1	1.5	V
I <sub>fP</sub>	Forward peak current	t <sub>p</sub> = 10 ms; duty cycle = 20%			2	A
t <sub>rr</sub>	Reverse recovery time	I <sub>fSD</sub> = 625 mA; dI <sub>fSD</sub> /dt = 25 A/μs		200		ns
t <sub>fr</sub>	Forward recovery time			50		ns

### 3.1 Schematic diagram

Figure 2. Block diagram

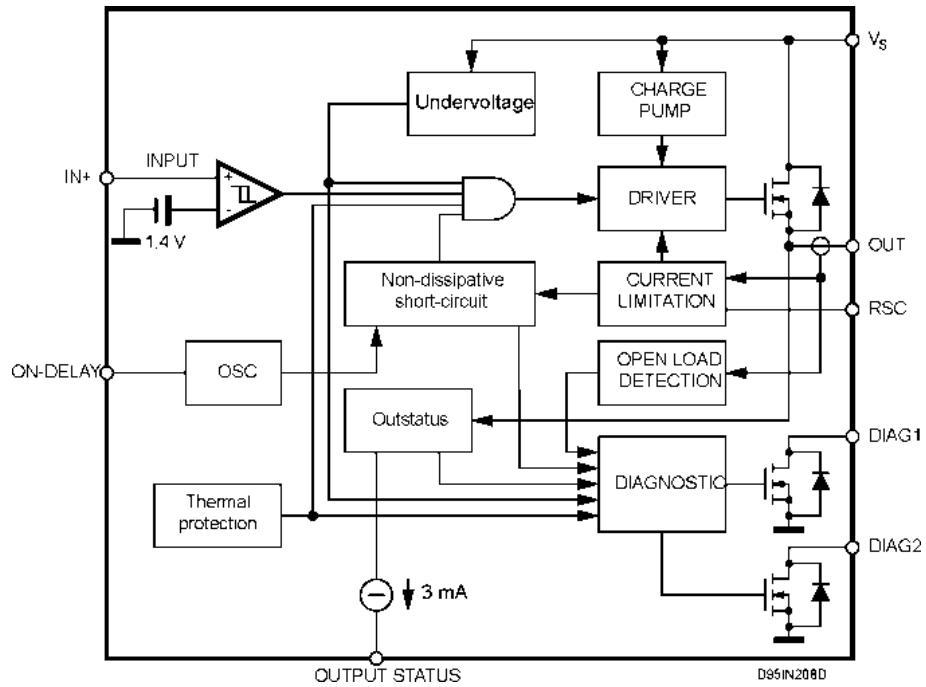
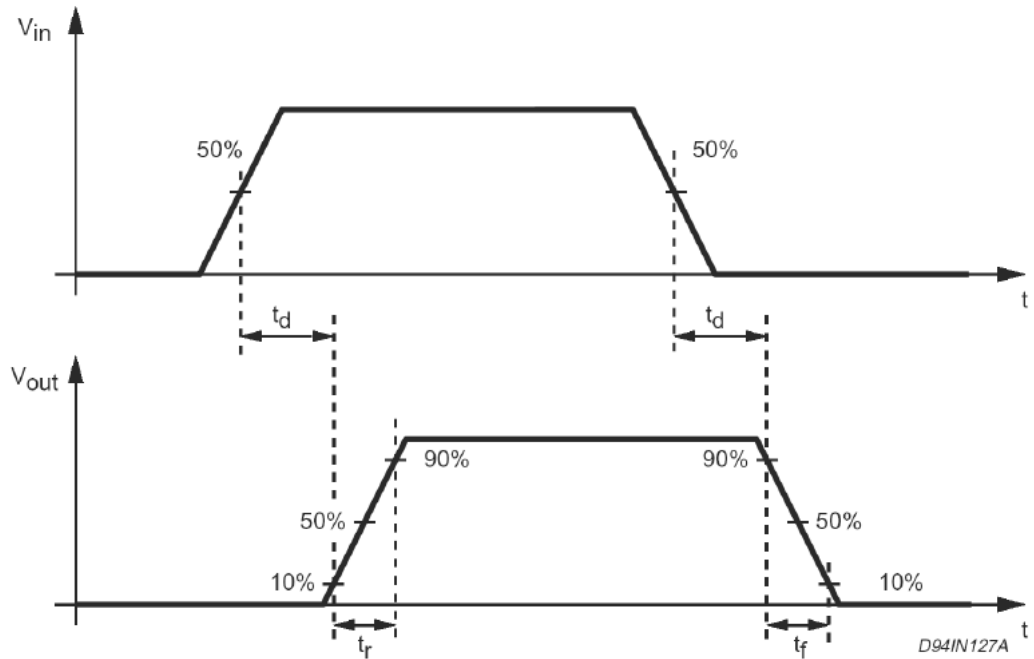


Figure 3. Switching waveforms



### 3.2 Input section

A single ended input TTL/CMOS compatible with a wide voltage range and high noise immunity (thanks to a built-in hysteresis) is available.



$C_{DON}$  capacitor) is very important, a delay (the  $t_{ON}$  itself) prevents the misleading short-circuit information is presented on the DIAG output, when capacitive loads are driven or incandescent lamp, a cold filament, has a very low resistive value. The non-dissipative short-circuit protection can be disabled (keeping  $t_{ON} = 0$  but with the output current still limited to  $I_{SC}$ , and diagnostic disabled) by shorting to ground the ON DELAY pin.

### 3.6 Diagnostic logic

The operating conditions of the device are permanently monitored and the following occurrences are indicated by DIAG1/DIAG2 open drain output pins, see [Section 3.8 Diagnostic truth table](#).

- Short-circuit vs. ground
- Short-circuit vs. VS
- Undervoltage (UV)
- Overtemperature (OVT)
- Open load, if the output current is less than 3 mA (typical value)

### 3.7 Demagnetization of inductive loads

An internal Zener diode, limiting the voltage across the power MOSFET between 50 and 60 V ( $V_{cl}$ ), provides safe and fast demagnetization of inductive loads without the external clamping devices. The maximum energy absorbed by an inductive load is specified as 200 mJ (at  $T_J = 85\text{ °C}$ ).

### 3.8 Diagnostic truth table

**Table 5. Diagnostic truth table**

Diagnostic conditions	Input	Output	DIAG1	DIAG2
Normal operation	L	L	H	H
	H	H	H	H
Open load condition ( $I_o < I_{old}$ )	L	L	H	H
	H	H	L	H
Short to $V_S$	L	H	L	H
	H	H	L	H
Short-circuit to ground ( $I_o = I_{sc}$ ) (ON DELAY pin grounded) <sup>(1)</sup>	H	X	H	H
	L	L	H	H
Output DMOS open	L	L	H	H
	H	L	L	H
Overtemperature	L	L	H	L
	H	L	H	L
Supply undervoltage ( $V_S < V_{sth2}$ )	L	L	L	L
	H	L	L	L

1. A cold lamp filament or a capacitive load activates the current limiting circuit of the IPS, when the IPS is initially turned on.

## 4 Application circuits

Figure 5. Input comparator hysteresis

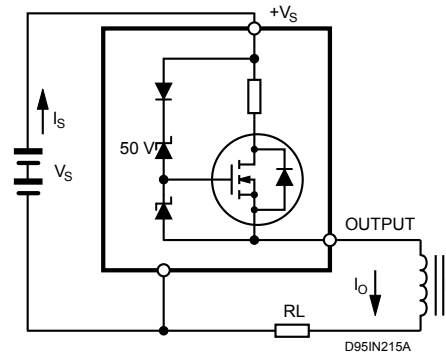


Figure 6. External demagnetization circuit (versus ground)

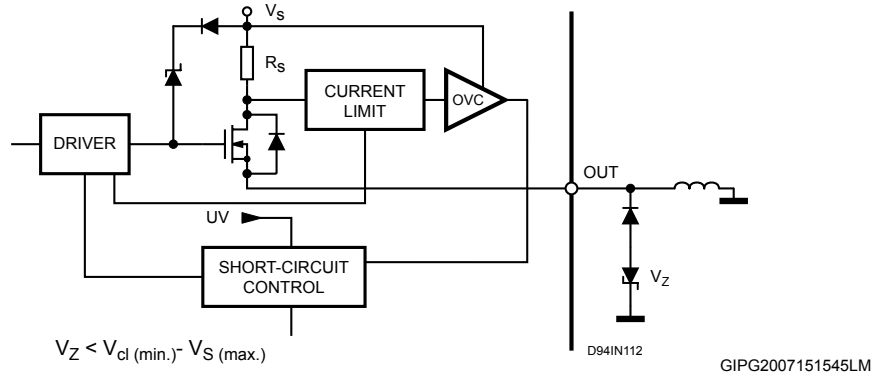


Figure 7. External demagnetization circuit (versus VS)

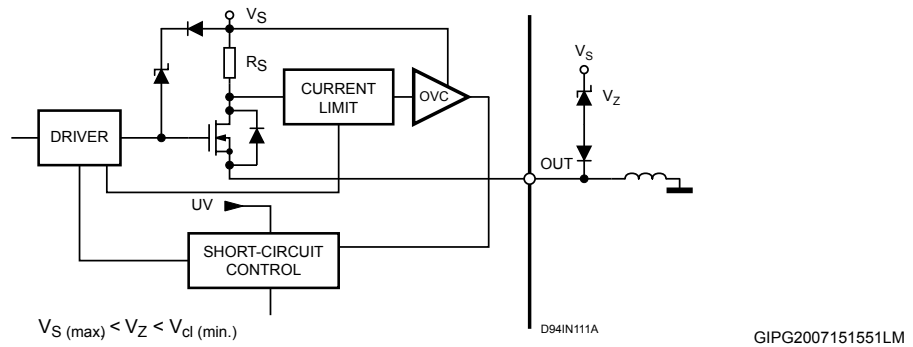
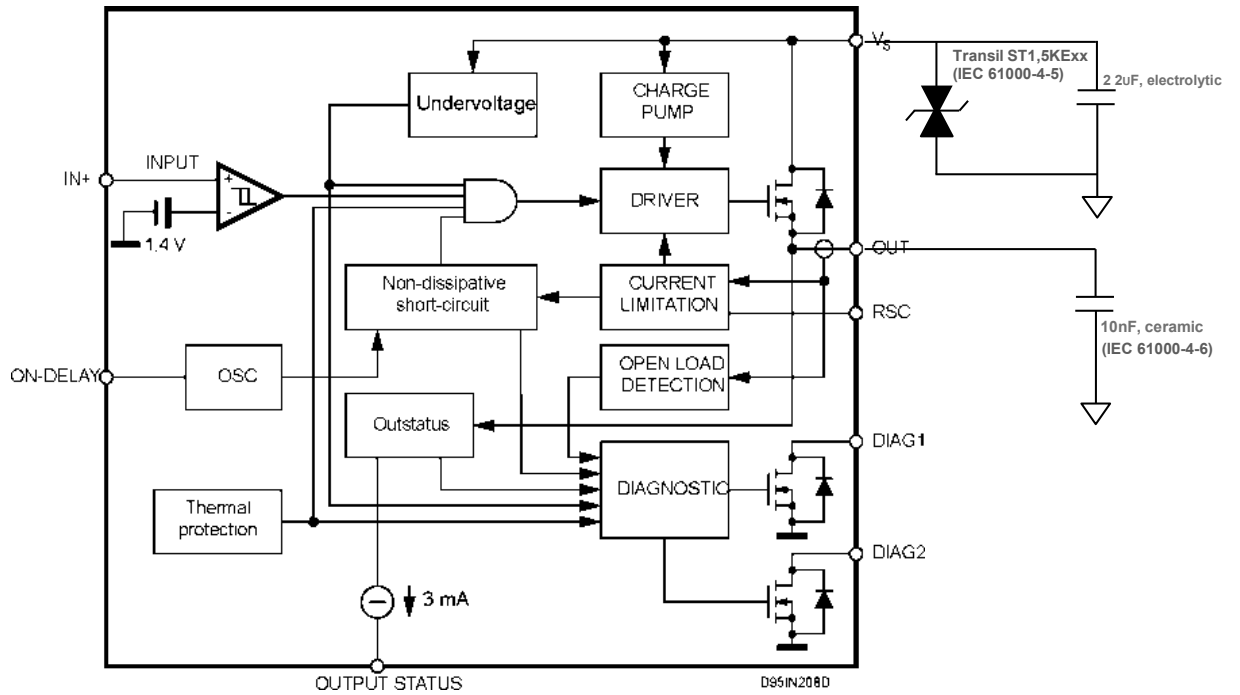


Figure 8. Application diagram



## 5 Package information

In order to meet environmental requirements, ST offers these devices in different grades of **ECOPACK** packages, depending on their level of environmental compliance. ECOPACK specifications, grade definitions and product status are available at: [www.st.com](http://www.st.com). ECOPACK is an ST trademark.

### 5.1 SO-20 package information

Figure 9. SO-20 package outline

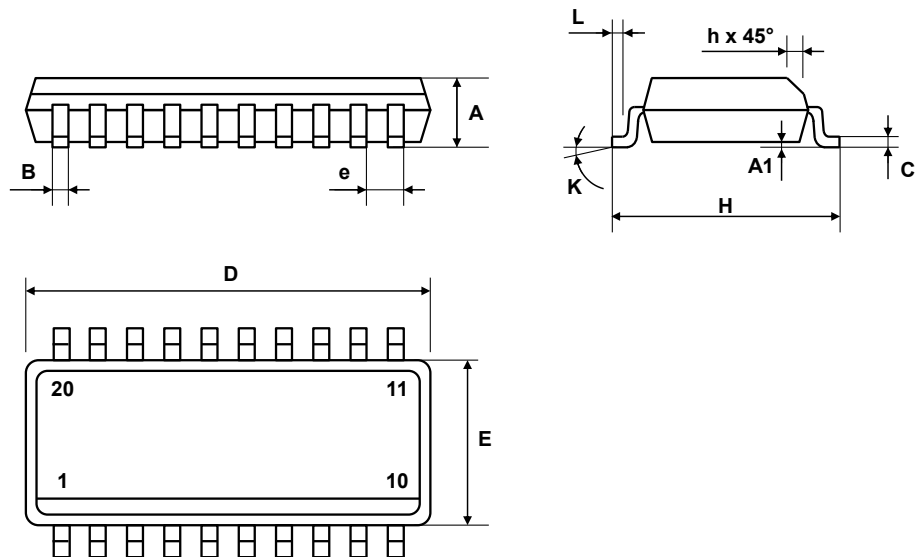


Table 6. SO20 mechanical data

Dim.	mm			inch		
	Min.	Typ.	Max.	Min.	Typ.	Max.
A	2.35		2.65	0.093		0.104
A1	0.1		0.3	0.004		0.012
B	0.33		0.51	0.013		0.020
C	0.23		0.32	0.009		0.013
D	12.6		13	0.496		0.512
E	7.4		7.6	0.291		0.299
e		1.27			0.050	
H	10		10.65	0.394		0.419
h	0.25		0.75	0.010		0.030
L	0.4		1.27	0.016		0.050
K	0° (min.)8° (max.)					

## 5.2 SO20 packing information

Figure 10. Shipping tube for SOIC SO20 (measure in mm)

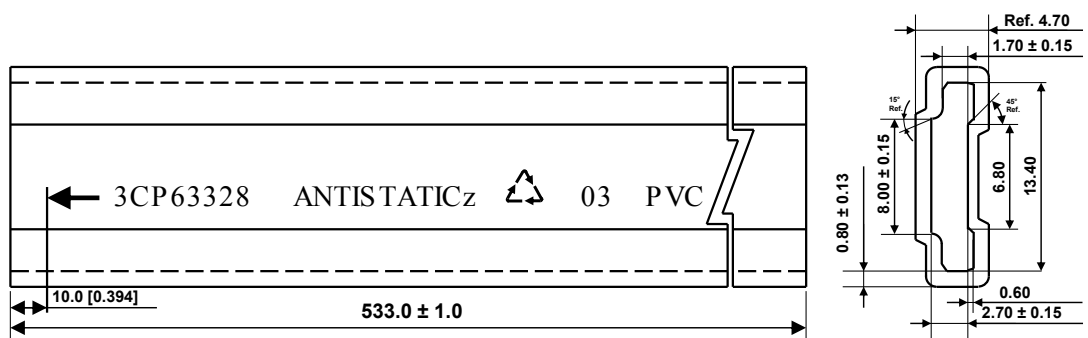


Figure 11. SOIC 20L wide body carrier tape drawing (supplier code 12)

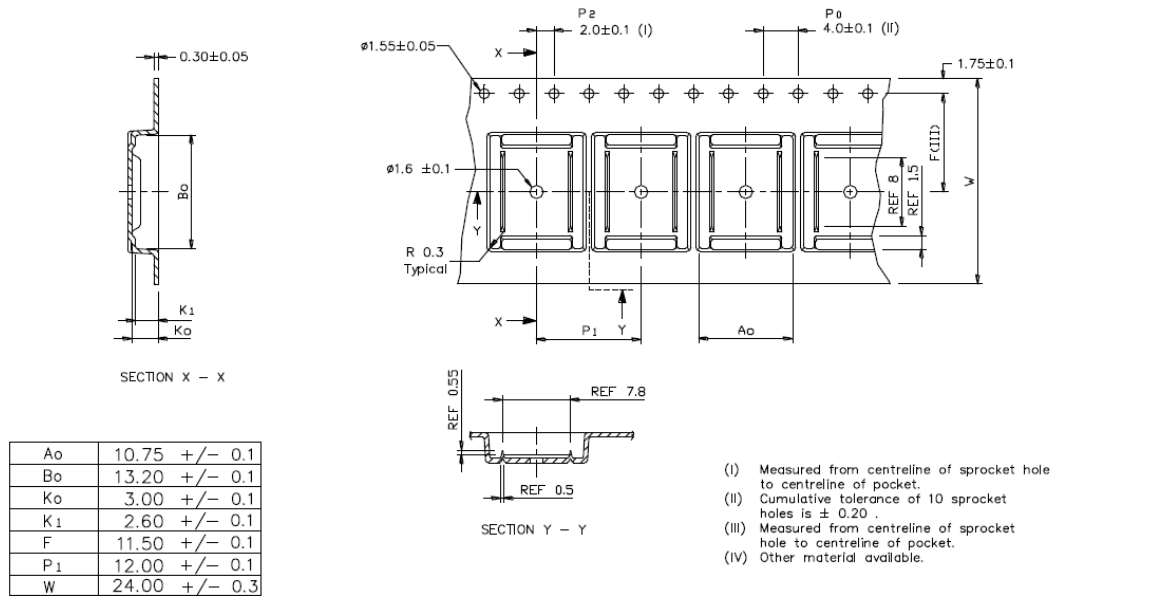


Figure 12. SO20 reel drawing

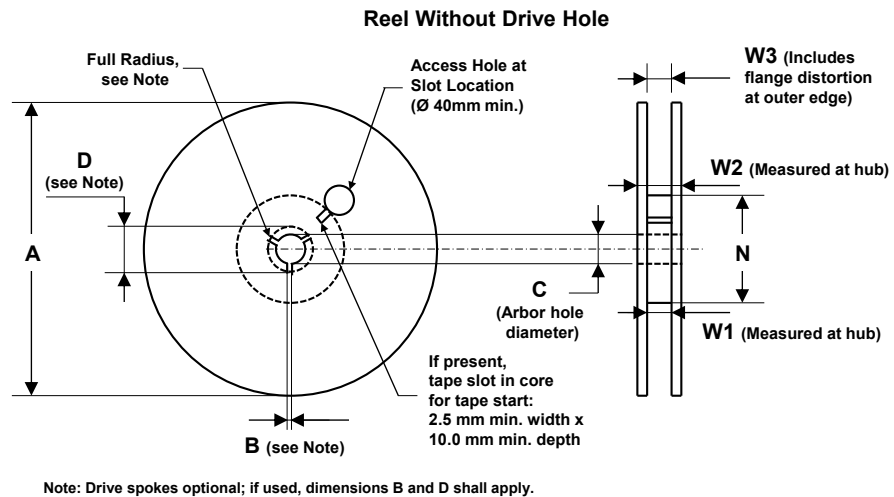


Table 7. SO20 reel dimensions

Dim.	mm		
	Min.	Typ.	Max.
A		330	
B	1.5		
C	12.8	13.0	13.5
D	20.2		
Tape size	8		200
W		24	
N		7" (178)	
W1 <sup>(1)</sup>		24.4	24.6
W2 max		30.4	

1. Measured at the hub

Figure 13. SO20 Reel side view drawing

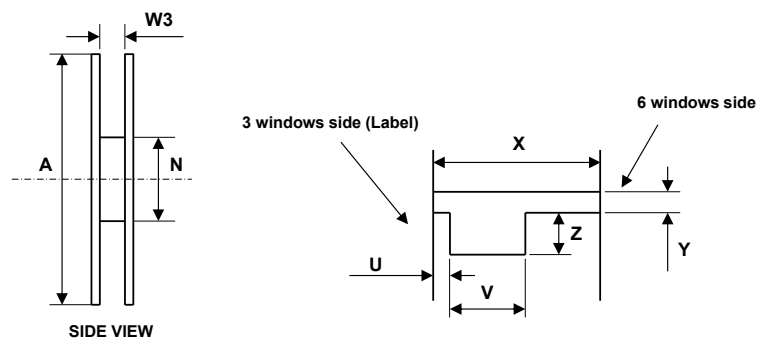


Table 8. SO20 reel side view dimensions

Dim.	mm		
	Min.	Typ.	Max.
Reel		7" hub (24mm)	
X	24.5	25	25.5
Y	0.95	1	1.05
Z	5.5	6	6.5
V	19	20	21
U	1.95	2	2.05

## Revision history

**Table 9. Document revision history**

Date	Revision	Changes
24-Jul-2007	1	Initial release.
29-Jun-2009	2	Updated Table 5 on page 7
21-Dec-2011	3	Updated Table 5 on page 7
15-May-2019	4	Updated <a href="#">Table 4. Electrical characteristics</a>

**IMPORTANT NOTICE – PLEASE READ CAREFULLY**

STMicroelectronics NV and its subsidiaries (“ST”) reserve the right to make changes, corrections, enhancements, modifications, and improvements to ST products and/or to this document at any time without notice. Purchasers should obtain the latest relevant information on ST products before placing orders. ST products are sold pursuant to ST’s terms and conditions of sale in place at the time of order acknowledgement.

Purchasers are solely responsible for the choice, selection, and use of ST products and ST assumes no liability for application assistance or the design of Purchasers’ products.

No license, express or implied, to any intellectual property right is granted by ST herein.

Resale of ST products with provisions different from the information set forth herein shall void any warranty granted by ST for such product.

ST and the ST logo are trademarks of ST. For additional information about ST trademarks, please refer to [www.st.com/trademarks](http://www.st.com/trademarks). All other product or service names are the property of their respective owners.

Information in this document supersedes and replaces information previously supplied in any prior versions of this document.

© 2019 STMicroelectronics – All rights reserved

## Looking for pricing, stock, or lifecycle information?

Click below to explore more details on WIN SOURCE:

-  [View L6375D013TR](#) on WIN SOURCE
-  [STMicroelectronics](#) Information

## Optimize Your Supply Chain with WIN SOURCE Solutions

-  Global Sourcing Solution
-  Obsolete Management
-  Cost Control Management
-  Shortage Management
-  Alternative Solution
-  Excess Inventory Management