



**THE DATASHEET OF  
NSL-7910**





# Hermetic Packaged Co

Advanced Photonix, Inc.  
Product Overview





# Hermetic Packages

- Advantages of Hermetic Packages
  - Environmental
    - Air
    - Moisture
  - Life of Photocell
  - Durability





# TO-18 Photocells

1

## Features

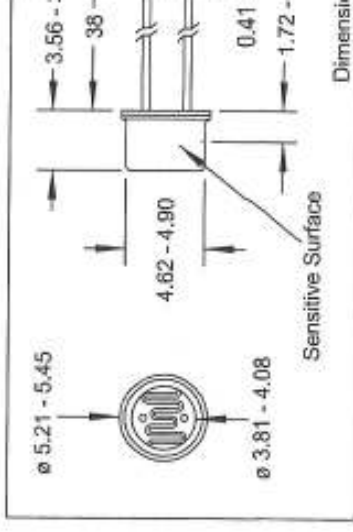
- Six Photoconductive Materials
- Tolerance:  $\pm 40\%$  @1 ftc,  $\pm 33\%$  @ 2 ftc

## Description

The Silonex TO-18 hermetic flat lens package series of photocells provide up to seven standard resistance ranges in CdS or CdSe materials.

## Absolute Maximum Ratings

Operating & Storage Temperature -60°C to +75°C  
 Power Dissipation @ 25°C (1) 50 mW



API Part Number	Sensitive Material	Spectral Peak (nm)	R @ 1 ftc (kohms)	R @ 2 ftc (Kohms)	R <sub>TYP</sub> @ 100 ftc (Kohms)	Min R <sub>DARK</sub> (Kohms)
<b>NSL-5110</b>	Type 5 CdS	550		10	.70	.67
<b>NSL-5150</b>	Type 5 CdS	550		15	.40	10
<b>NSL-06S53</b>		550	60			20



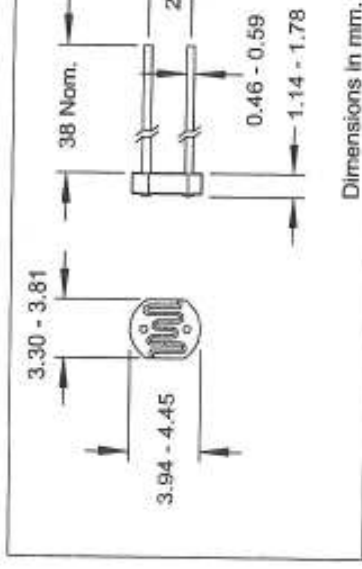
# Plastic TO-18 Photocells

## Features

- Five photoconductive materials
- Tolerance:  $\pm 40\%$  @ 1 ftc,  $\pm 33\%$  @ 2 ftc

## Description

The Silonex TO-18 series of photoconductive cells provide up to seven standard resistance ranges in CdS or CdSe materials. These photocells are ceramic based with a moisture resistant plastic encapsulation. These devices are also available in a hermetic package.



API Part Number	Sensitive Material	Spectral Peak (nm)	R @ 1 ftc (kohms)	R @ 2 ftc (Kohms)	R <sub>TYP</sub> @ 100 ftc (Kohms)	Min R <sub>DAF</sub> (Kohms)
<b>NORPS-12</b> Plastic TO-18	Type 5 CdS	550	5.4			1
<b>NSL-19M51</b> Plastic TO-18	Type 5 CdS	550		.25	25	67
<b>NSL-5162</b> Ceramic TO-18	Type 5 CdS	550		100	3000	67
<b>NSL-6112</b> Ceramic TO-18	Type 6 CDS	690		2	170	1.3



# TO-8 Photocells

## Features

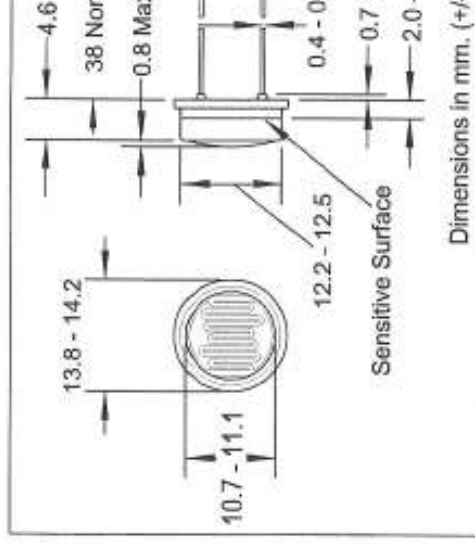
- Five Photoconductive Materials
- Tolerance:  $\pm 40\%$  @ 1 ftc,  $\pm 33\%$  @ 2 ftc

## Description

The Silonex TO-8 series of photoconductive provide up to eight standard resistance ranges in CdS or CdSe materials.

## Absolute Maximum Ratings

Operating & Storage Temperature     $-60^{\circ}\text{C}$  to  $+75^{\circ}\text{C}$   
 Power Dissipation @  $25^{\circ}\text{C}$  (1)        500 mW



API Part Number	Sensitive Material	Spectral Peak (nm)	R @ 1 ftc (kohms)	R @ 2 ftc (Kohms)	R <sub>TYP</sub> @ 100 ftc (Kohms)	Min R <sub>DARK</sub> (Kohms)
<b>NSL-4960</b>	Type 4 CdS	515	17		500	1000
<b>NSL-6910</b>	Type 6 CdS	690		.25	25	67
<b>NSL-7910</b>	Type 7 CdS	615		7.5	800	1500

# Applications

- Outdoor Light Sensing
  - Street Lights
  - Parking Lot Lights
  - Building Perimeter Lights
  - Outdoor Advertising Signs
  - Photosynthetic Monitoring
  - Solar Panels
  - Solar Tracking



# API Contacts

## East and Europe

**Mark Anderson**

[manderson@advancedphotonix.com](mailto:manderson@advancedphotonix.com)

978-948-2131 (office)

805-312-1179 (cell)

## Central N.A.

**Rick Madden**

[rmadden@advancedphotonix.com](mailto:rmadden@advancedphotonix.com)

469-287-2058 (office)

805-368-6714 (cell)

## West and

**Tim Bodden**

[tboddenhamer@advancedphotonix.com](mailto:tboddenhamer@advancedphotonix.com)

714-617-4300

805-377-1111

## Advanced Photonix, Inc.

1240 Avenida Acaso



Camarillo, CA 93012

[www.advancedphotonix.com](http://www.advancedphotonix.com)

1-805-987-0146

## Looking for pricing, stock, or lifecycle information?

Click below to explore more details on WIN SOURCE:

-  [View NSL-7910 on WIN SOURCE](#)
-  [Luna Optoelectronics Information](#)

## Optimize Your Supply Chain with WIN SOURCE Solutions

-  Global Sourcing Solution
-  Obsolete Management
-  Cost Control Management
-  Shortage Management
-  Alternative Solution
-  Excess Inventory Management