



**THE DATASHEET OF
LD6805K/22P,115**





LD6805 series

Low-dropout regulators, high PSRR, 150 mA

Rev. 2 — 25 June 2012

Product data sheet

1. Product profile

1.1 General description

The LD6805 series is a small-size Low DropOut regulator (LDO) family with ultra high Power Supply Rejection Ratio (PSRR) of 75 dB. The voltage drop is 250 mV at 150 mA current rating.

Operating voltages can range from 2.3 V to 5.5 V. The devices are available with fixed output voltages between 1.2 V to 3.6 V.

The LD6805K/xxH devices show a high-ohmic state at the output pin when set to disabled mode. The LD6805K/xxP devices contain a pull-down switching transistor to provide a low-ohmic output state (auto discharge function) in disabled mode.

The LD6805 series devices are available in a 1 × 1 mm DFN plastic package making them ideal for use in portable applications requiring component miniaturization. All devices are manufactured in monolithic silicon technology.

1.2 Features and benefits

- 150 mA output current rating
- 75 dB PSRR at 1 kHz
- Input voltage range 2.3 V to 5.5 V
- Fixed output voltage between 1.2 V to 3.6 V
- Dropout voltage 250 mV at 150 mA output rating
- Low quiescent current in shutdown mode (typical 0.1 μ A)
- 40 μ V RMS output noise voltage (typical value) at 10 Hz to 100 kHz
- Turn-on time 150 μ s
- LD6805K/xxH: high-ohmic (3-state) output state when disabled
- LD6805K/xxP: low-ohmic output state when disabled (auto discharge function)
- Integrated ESD protection up to 6 kV Human Body Model (HBM)
- DFN1010C-4 (SOT1194-1) plastic package with a size of 1 × 1 × 0.55 mm
- Pb-free, RoHS compliant and free of halogen and antimony (dark green compliant)

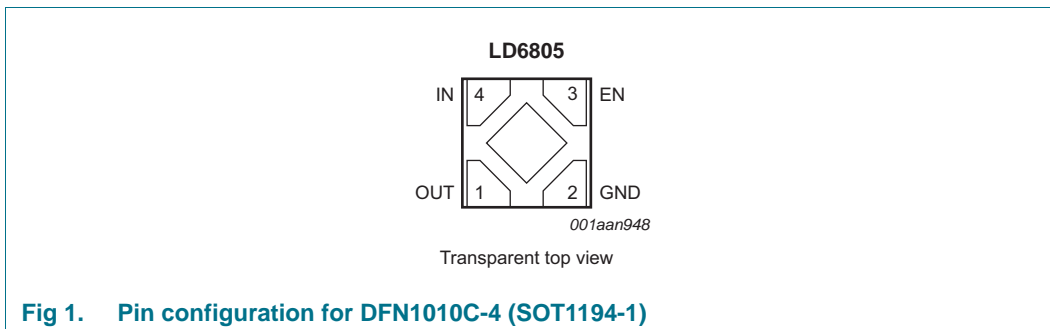
1.3 Applications

- Analog and digital interfaces requiring lower than standard supply voltages in mobile appliances such as smart phones, mobile phone handsets and cordless telephones. Other typical applications are digital still cameras, mobile internet devices, personal navigation devices and portable media players.



2. Pinning information

2.1 Pinning



2.2 Pin description

Table 1. Pin description for DFN1010C-4 (SOT1194-1)

Symbol	Pin	Description
OUT	1	regulator output voltage
GND	2	supply ground
EN	3	device enable input; active HIGH
IN	4	regulator input voltage
i.c.	TAB	internal connected ^[1]

[1] The TAB is GND level (it is placed on the reverse side of the IC). It is recommended to connect the TAB to GND. Leaving it unconnected is also allowed but it may result in lower thermal performance.

3. Ordering information

Table 2. Ordering information

Type number	Package		
	Name	Description	Version
LD6805 series	DFN1010C-4	plastic thermal enhanced ultra thin small outline package; no leads; 4 terminals; body 1 × 1 × 0.55 mm	SOT1194-1

3.1 Ordering options

Further information on output voltage is available on request; see [Section 20 “Contact information”](#).

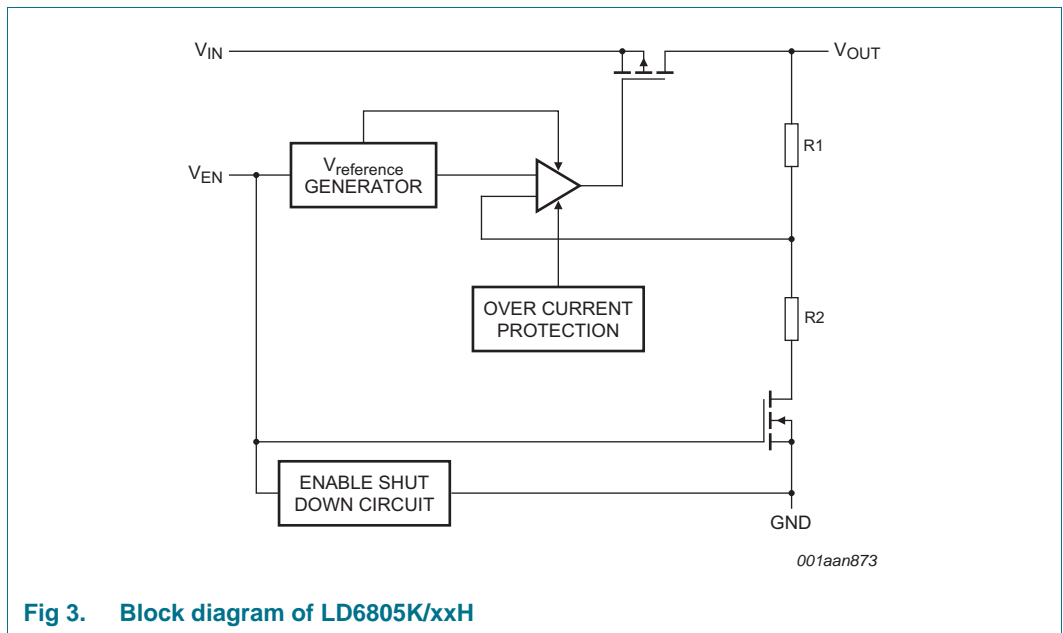
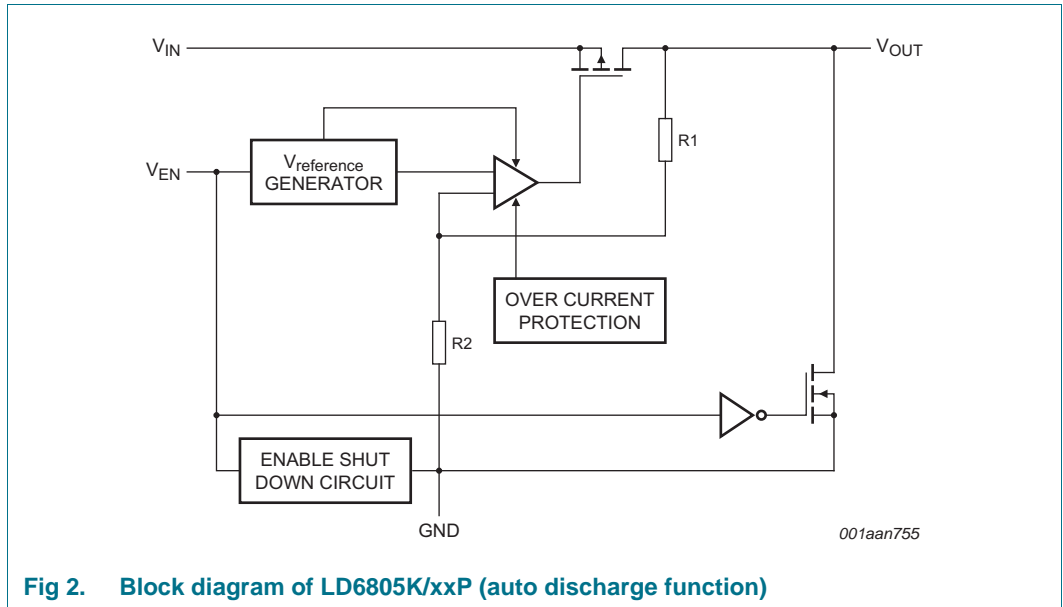
Table 3. Type number extension of high-ohmic output

Type number	Nominal output voltage	Type number	Nominal output voltage
LD6805K/12H	1.2 V	LD6805K/22H	2.2 V
LD6805K/13H	1.3 V	LD6805K/23H	2.3 V
LD6805K/14H	1.4 V	LD6805K/25H	2.5 V
LD6805K/15H	1.5 V	LD6805K/28H	2.8 V
LD6805K/16H	1.6 V	LD6805K/29H	2.9 V
LD6805K/18H	1.8 V	LD6805K/30H	3.0 V
LD6805K/185H	1.85 V	LD6805K/31H	3.1 V
LD6805K/20H	2.0 V	LD6805K/33H	3.3 V
LD6805K/21H	2.1 V	LD6805K/36H	3.6 V

Table 4. Type number extension of pull-down output

Type number	Nominal output voltage	Type number	Nominal output voltage
LD6805K/12P	1.2 V	LD6805K/23P	2.3 V
LD6805K/13P	1.3 V	LD6805K/25P	2.5 V
LD6805K/14P	1.4 V	LD6805K/28P	2.8 V
LD6805K/15P	1.5 V	LD6805K/29P	2.9 V
LD6805K/16P	1.6 V	LD6805K/30P	3.0 V
LD6805K/18P	1.8 V	LD6805K/31P	3.1 V
LD6805K/20P	2.0 V	LD6805K/33P	3.3 V
LD6805K/21P	2.1 V	LD6805K/36P	3.6 V
LD6805K/22P	2.2 V	-	-

4. Block diagram



5. Limiting values

Table 5. Limiting values

In accordance with the Absolute Maximum Rating System (IEC 60134). Voltages are referenced to GND (ground = 0 V).

Symbol	Parameter	Conditions	Min	Max	Unit
V _{IN}	voltage on pin IN	4 ms transient	-0.5	+6.0	V
P _{tot}	total power dissipation		[1] -	400	mW
T _{stg}	storage temperature		-55	+150	°C
T _j	junction temperature		-40	+125	°C
T _{amb}	ambient temperature		-40	+85	°C
V _{ESD}	electrostatic discharge voltage	human body model level 6	[2] -	±6	kV
		machine model class 3	[3] -	±400	V

- [1] The (absolute) maximum power dissipation depends on the junction temperature T_j. Higher power dissipation is allowed with lower ambient temperatures. The conditions to determine the specified values are T_{amb} = 25 °C and the use of a two layer PCB.
- [2] According to IEC 61340-3-1.
- [3] According to JESD22-A115C.

6. Recommended operating conditions

Table 6. Operating conditions

Voltages are referenced to GND (ground = 0 V).

Symbol	Parameter	Conditions	Min	Typ	Max	Unit
T _{amb}	ambient temperature		-40	-	+85	°C
T _j	junction temperature		-	-	+125	°C
Pin IN						
V _{IN}	voltage on pin IN		2.3	-	5.5	V
Pin EN						
V _{EN}	voltage on pin EN		0	-	V _{IN}	V
Pin OUT						
C _{L(ext)}	external load capacitance		[1] 0.7	1.0	-	μF

- [1] See [Section 10.1 "Output capacitor values"](#).

7. Thermal characteristics

Table 7. Thermal characteristics

Symbol	Parameter	Conditions	Typ	Unit
R _{th(j-a)}	thermal resistance from junction to ambient		[1][2] 250	K/W

- [1] The overall R_{th(j-a)} can vary depending on the board layout. To minimize the effective R_{th(j-a)}, all pins must have a solid connection to larger Cu layer areas for example to the power and ground layer. In multi-layer PCB applications, the second layer is used to create a large heat spreader area directly below the LDO. If this layer is either ground or power, it is connected with several vias to the top layer connecting to the device ground or supply. Avoid the use of solder-stop varnish under the chip.
- [2] Use the measurement data given for a rough estimation of the R_{th(j-a)} in your application. The actual R_{th(j-a)} value can vary in applications using different layer stacks and layouts.

8. Characteristics

Table 8. Electrical characteristics

At recommended input voltages and $T_{amb} = -40\text{ °C}$ to $+85\text{ °C}$; voltages are referenced to GND (ground = 0 V); unless otherwise specified.

Symbol	Parameter	Conditions	Min	Typ	Max	Unit
Output voltage						
V_{do}	dropout voltage	$I_{OUT} = 150\text{ mA}$; $V_{IN} < V_{O(nom)}$	[1] -	250	-	mV
ΔV_O	output voltage variation	$V_{OUT} < 1.8\text{ V}$; $I_{OUT} = 1\text{ mA}$				
		$T_{amb} = +25\text{ °C}$	-3	± 0.5	+3	%
		$-30\text{ °C} \leq T_{amb} \leq +85\text{ °C}$	-4	-	+4	%
		$V_{OUT} \geq 1.8\text{ V}$; $I_{OUT} = 1\text{ mA}$				
		$T_{amb} = +25\text{ °C}$	-2	± 0.5	+2	%
		$-30\text{ °C} \leq T_{amb} \leq +85\text{ °C}$	-3	-	+3	%
Line regulation error						
$\Delta V_O / (V_O \times \Delta V_I)$	relative output voltage variation with input voltage	$V_{IN} = (V_{O(nom)} + 0.5\text{ V})$ to 5.5 V	[1] -0.1	-	+0.1	%/V
Load regulation error						
$\Delta V_O / (V_O \times \Delta I_O)$	relative output voltage variation with output current	$1\text{ mA} \leq I_{OUT} \leq 150\text{ mA}$	-	0.0025	0.01	%/mA
Output current						
I_{OUT}	current on pin OUT		-	-	150	mA
I_{OM}	peak output current	$V_{IN} = (V_{O(nom)} + 0.5\text{ V})$ to 5.5 V	[1]			
		$V_{O(nom)} > 1.8\text{ V}$; $V_{OUT} = 0.95 \times V_{O(nom)}$	200	-	-	mA
		$V_{O(nom)} < 1.8\text{ V}$; $V_{OUT} = 0.9 \times V_{O(nom)}$	200	-	-	mA
I_{sc}	short-circuit current	pin OUT	-	300	-	mA
Regulator quiescent current						
I_q	quiescent current	$V_{EN} = 1.1\text{ V}$; $I_{OUT} = 0\text{ mA}$	-	35	-	μA
		$V_{EN} = 1.1\text{ V}$; $1\text{ mA} \leq I_{OUT} \leq 150\text{ mA}$	-	150	-	μA
		$V_{EN} \leq 0.4\text{ V}$	-	0.1	1	μA
Ripple rejection and output noise						
PSRR	power supply rejection ratio	$V_{IN} = V_{O(nom)} + 1.0\text{ V}$; $I_{OUT} = 50\text{ mA}$; $f_{ripple} = 1\text{ kHz}$	[1] -	-75	-	dB
$V_{n(o)(RMS)}$	RMS output noise voltage	$f_{ripple} = 10\text{ Hz}$ to 100 kHz ; $C_{L(ext)} = 1\text{ }\mu\text{F}$	-	40	-	μV
Enable input and timing						
V_{IL}	LOW-level input voltage	pin EN	0	-	0.4	V
V_{IH}	HIGH-level input voltage	pin EN	1.1	-	5.5	V
$t_{startup(reg)}$	regulator start-up time	$V_{IN} = 5.5\text{ V}$; $V_{OUT} = 0.95 \times V_{O(nom)}$; $I_{OUT} = 150\text{ mA}$; $C_{L(ext)} = 1\text{ }\mu\text{F}$	[1] -	150	-	μs

Table 8. Electrical characteristics ...continued

At recommended input voltages and $T_{amb} = -40\text{ }^{\circ}\text{C}$ to $+85\text{ }^{\circ}\text{C}$; voltages are referenced to GND (ground = 0 V); unless otherwise specified.

Symbol	Parameter	Conditions	Min	Typ	Max	Unit
LD6805K/xxP; auto discharge function						
$t_{sd(reg)}$	regulator shutdown time	$V_{IN} = 5.5\text{ V}$; $V_{OUT} = 0.05 \times V_{O(nom)}$; $C_{L(ext)} = 1\text{ }\mu\text{F}$	-	300	-	μs
R_{pd}	pull-down resistance		-	100	-	Ω

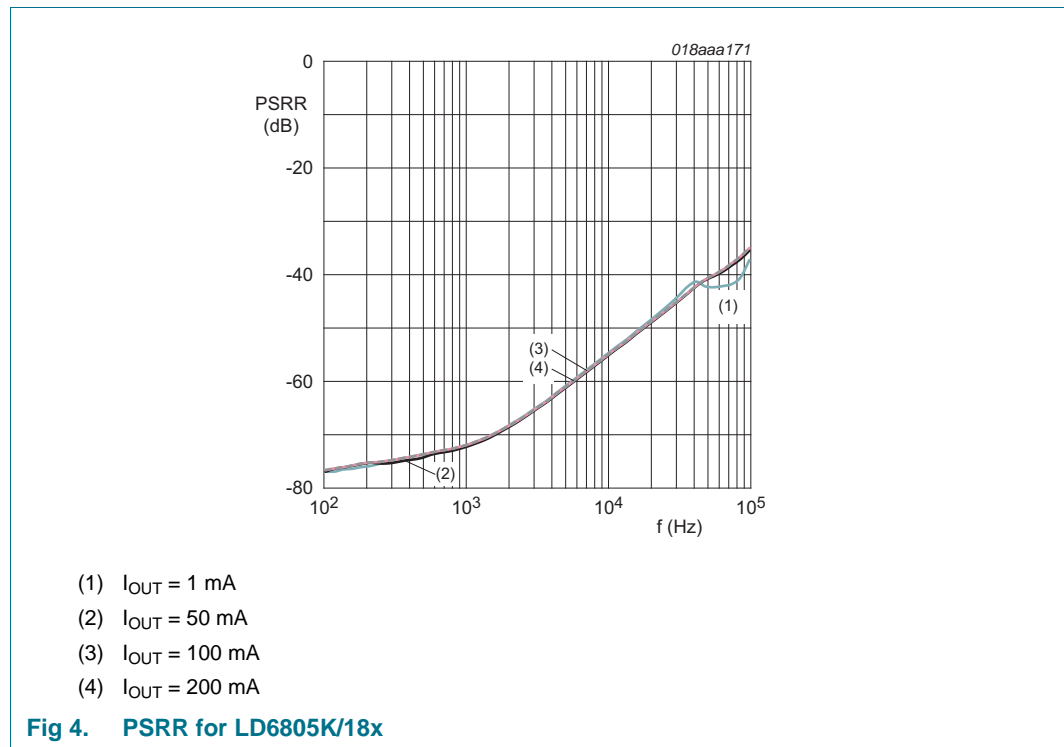
[1] $V_{O(nom)}$ = nominal output voltage (device specific).

9. Dynamic behavior

9.1 Power Supply Rejection Ratio (PSRR)

PSRR stands for the capability of the regulator to suppress unwanted signals on the input voltage like noise or ripples.

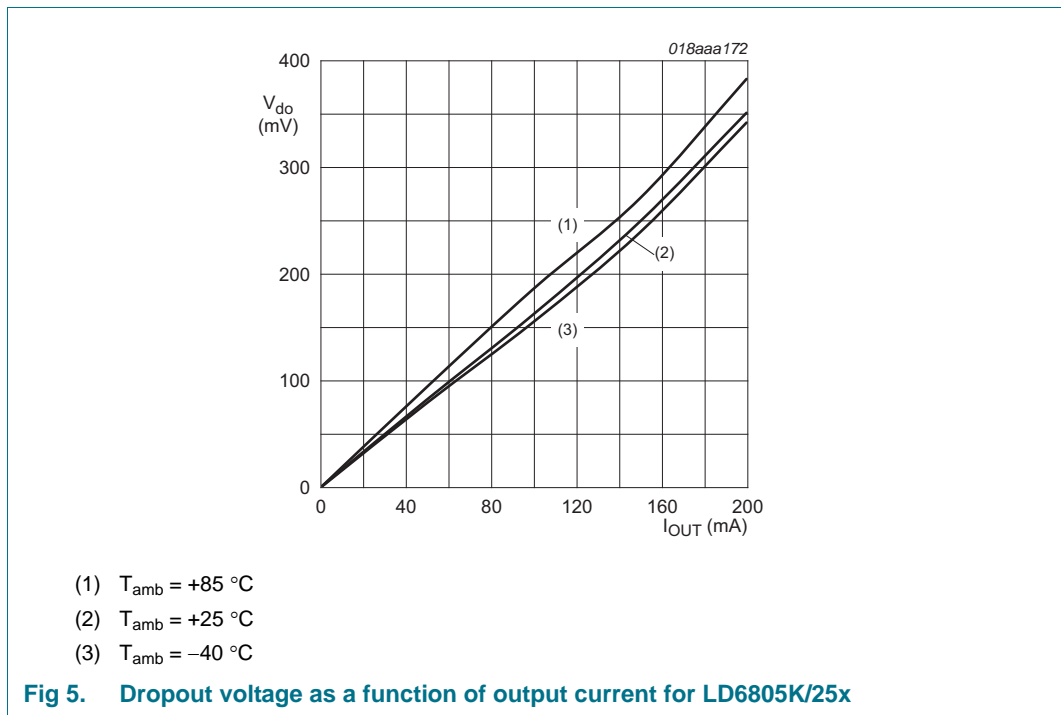
$$PSRR[dB] = 20\log \frac{V_{out(ripple)}}{V_{in(ripple)}} \text{ for all frequencies}$$



9.2 Dropout

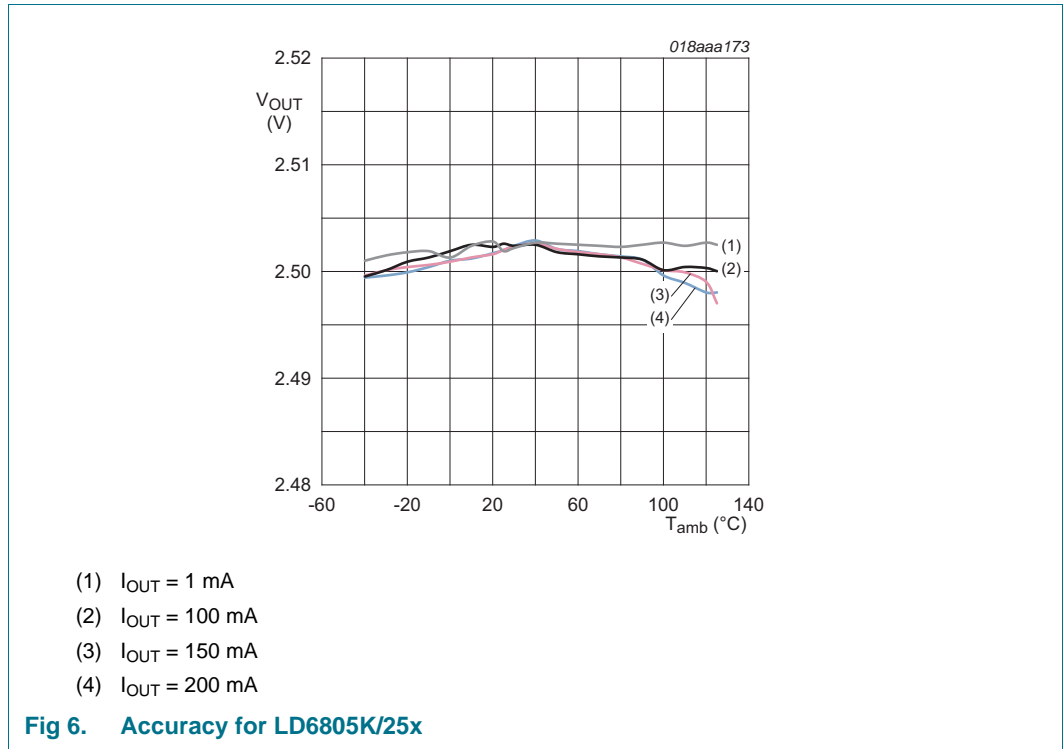
The dropout voltage is defined as the smallest input to output voltage difference at a specified load current when the regulator operates within its linear region. This means that the input voltage is below the nominal output voltage value and the pass transistor works as a plain resistor.

A small dropout voltage guarantees lower power consumption and efficiency maximization.



9.3 Accuracy

The LD6805 series guarantees high accuracy of the nominal output voltage.



10. Application information

10.1 Output capacitor values

The LD6805 series requires external capacitors at the output to guarantee a stable regulator behavior. Also an input capacitor is recommended to keep the input voltage stable. It is not allowed to under-run the specified minimum Equivalent Series Resistance (ESR).

The absolute value of the total capacitance attached to the output pin OUT influences the shutdown time ($t_{sd(reg)}$) of the LD6805 series.

Table 9. External load capacitor

Symbol	Parameter	Conditions	Min	Typ	Max	Unit
$C_{L(ext)}$	external load capacitance	[1]	-	1.0	-	μF
ESR	equivalent series resistance		5	-	500	$\text{m}\Omega$

[1] The minimum value of capacitance for stability and correct operation is 0.7 μF . The specified capacitor tolerance is $\pm 30\%$ or better over the temperature and operating conditions range. The recommended capacitor type is X7R to meet the full device temperature specification of $-40\text{ }^\circ\text{C}$ to $+125\text{ }^\circ\text{C}$.

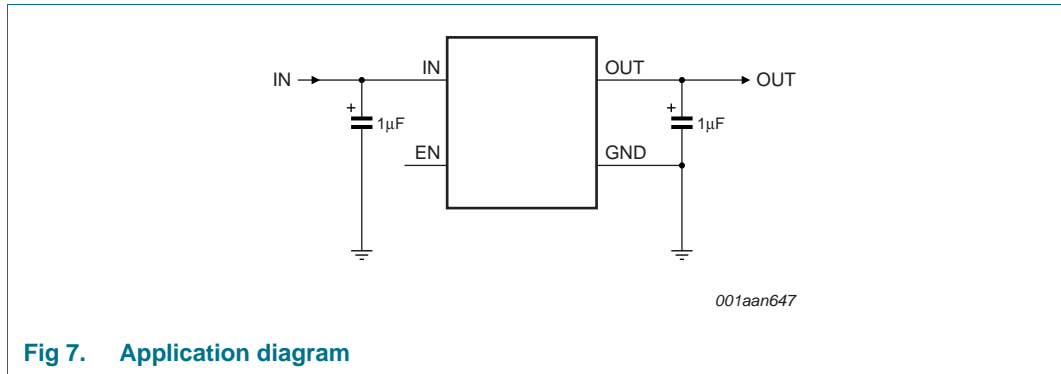


Fig 7. Application diagram

11. Test information

11.1 Quality information

This product has been qualified in accordance with *NX2-00001 NXP Semiconductors Quality and Reliability Specification* and is suitable for use in consumer applications.

12. Marking

Table 10. Marking of high-ohmic output

Type number	Voltage	Version code	Type number	Voltage	Version code
LD6805K/12H	1.2 V	AH	LD6805K/22H	2.2 V	KH
LD6805K/13H	1.3 V	BH	LD6805K/23H	2.3 V	LH
LD6805K/14H	1.4 V	CH	LD6805K/25H	2.5 V	NH
LD6805K/15H	1.5 V	DH	LD6805K/28H	2.8 V	QH
LD6805K/16H	1.6 V	EH	LD6805K/29H	2.9 V	RH
LD6805K/18H	1.8 V	GH	LD6805K/30H	3.0 V	SH
LD6805K/185H	1.85 V	5H	LD6805K/31H	3.1 V	TH
LD6805K/20H	2.0 V	IH	LD6805K/33H	3.3 V	VH
LD6805K/21H	2.1 V	JH	LD6805K/36H	3.6 V	YH

Table 11. Marking of pull-down output

Type number	Voltage	Version code	Type number	Voltage	Version code
LD6805K/12P	1.2 V	AP	LD6805K/23P	2.3 V	LP
LD6805K/13P	1.3 V	BP	LD6805K/25P	2.5 V	NP
LD6805K/14P	1.4 V	CP	LD6805K/28P	2.8 V	QP
LD6805K/15P	1.5 V	DP	LD6805K/29P	2.9 V	RP
LD6805K/16P	1.6 V	EP	LD6805K/30P	3.0 V	SP
LD6805K/18P	1.8 V	GP	LD6805K/31P	3.1 V	TP
LD6805K/20P	2.0 V	IP	LD6805K/33P	3.3 V	VP
LD6805K/21P	2.1 V	JP	LD6805K/36P	3.6 V	YP
LD6805K/22P	2.2 V	KP	-	-	-

13. Package outline

Plastic thermal enhanced ultra thin small outline package; no leads;
4 terminals; body 1 x 1 x 0.55 mm

SOT1194-1

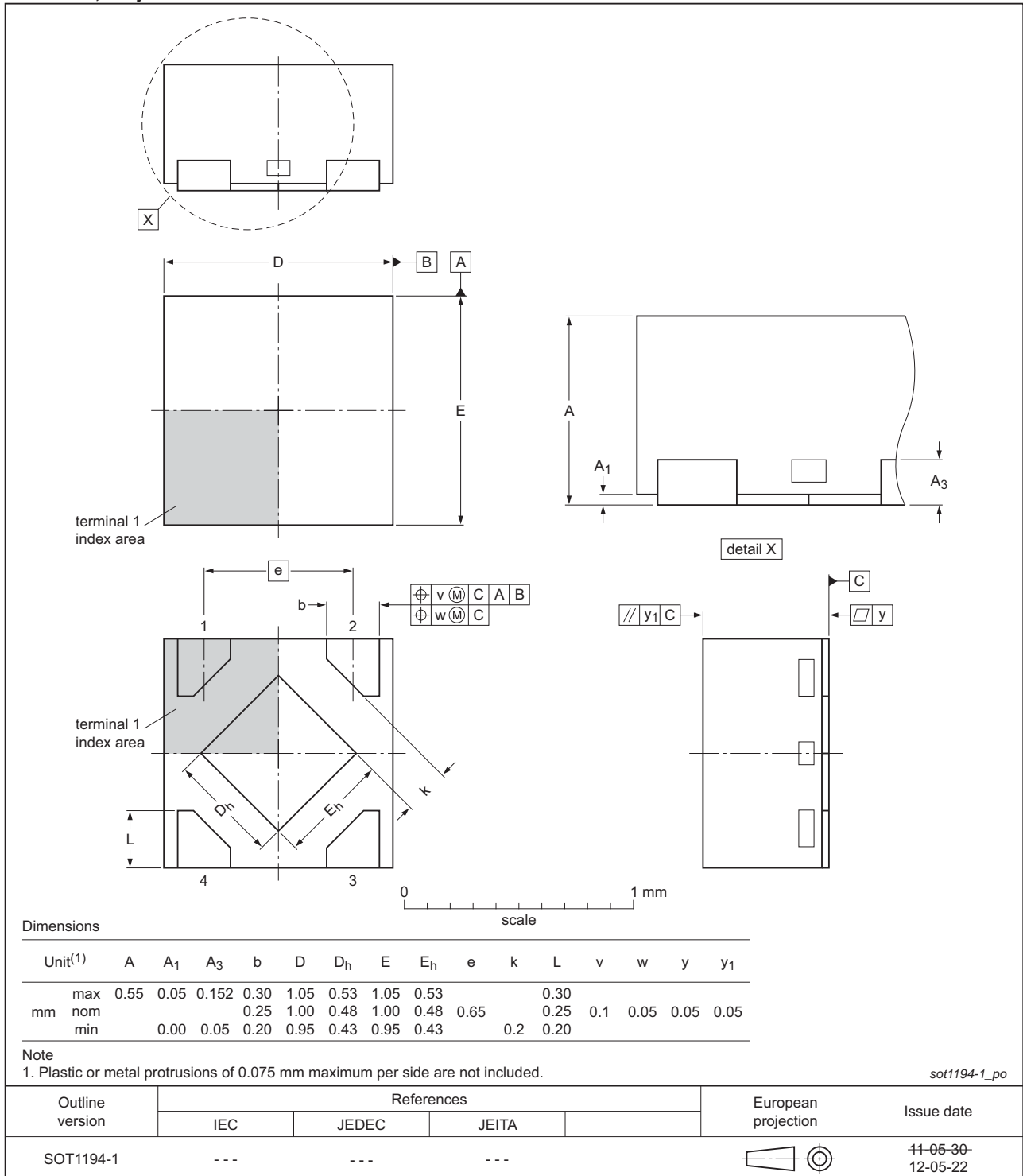
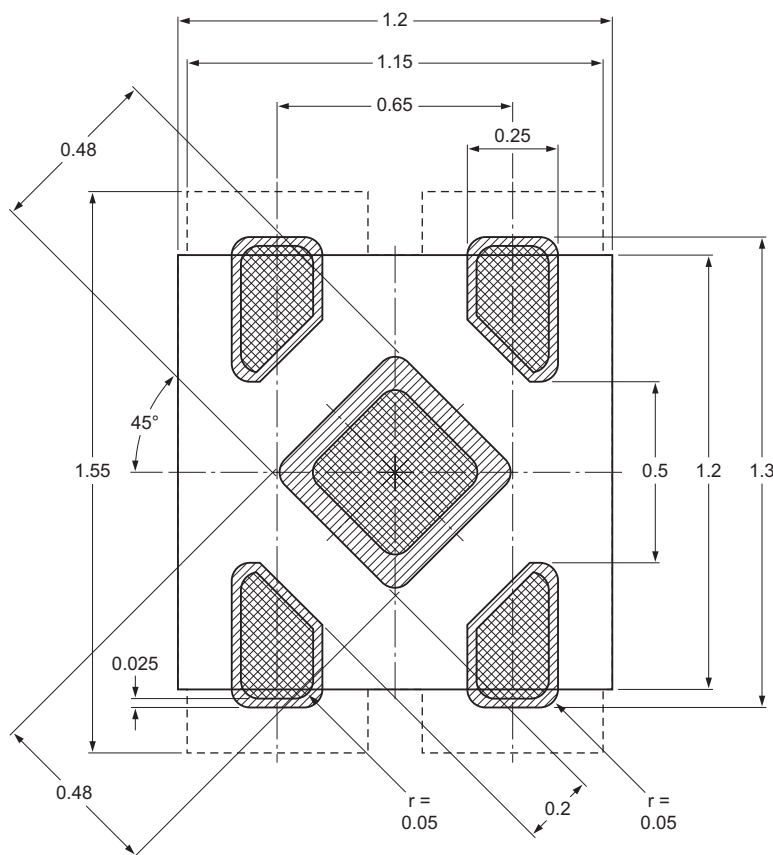






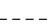
Fig 8. Package outline DFN1010C-4 (SOT1194-1)

14. Soldering

Footprint information for reflow soldering of HXSON4 package

SOT1194-1



-  solder land
 -  solder land plus solder paste
 -  solder paste deposit
 -  solder resist
 -  occupied area
- Dimensions in mm

Remark:
Stencil of 75 µm is recommended.

sot1194-1_fr

Fig 9. Soldering footprint DFN1010C-4 (SOT1194-1)

15. Soldering of SMD packages

This text provides a very brief insight into a complex technology. A more in-depth account of soldering ICs can be found in Application Note *AN10365 "Surface mount reflow soldering description"*.

15.1 Introduction to soldering

Soldering is one of the most common methods through which packages are attached to Printed Circuit Boards (PCBs), to form electrical circuits. The soldered joint provides both the mechanical and the electrical connection. There is no single soldering method that is ideal for all IC packages. Wave soldering is often preferred when through-hole and Surface Mount Devices (SMDs) are mixed on one printed wiring board; however, it is not suitable for fine pitch SMDs. Reflow soldering is ideal for the small pitches and high densities that come with increased miniaturization.

15.2 Wave and reflow soldering

Wave soldering is a joining technology in which the joints are made by solder coming from a standing wave of liquid solder. The wave soldering process is suitable for the following:

- Through-hole components
- Leaded or leadless SMDs, which are glued to the surface of the printed circuit board

Not all SMDs can be wave soldered. Packages with solder balls, and some leadless packages which have solder lands underneath the body, cannot be wave soldered. Also, leaded SMDs with leads having a pitch smaller than ~0.6 mm cannot be wave soldered, due to an increased probability of bridging.

The reflow soldering process involves applying solder paste to a board, followed by component placement and exposure to a temperature profile. Leaded packages, packages with solder balls, and leadless packages are all reflow solderable.

Key characteristics in both wave and reflow soldering are:

- Board specifications, including the board finish, solder masks and vias
- Package footprints, including solder thieves and orientation
- The moisture sensitivity level of the packages
- Package placement
- Inspection and repair
- Lead-free soldering versus SnPb soldering

15.3 Wave soldering

Key characteristics in wave soldering are:

- Process issues, such as application of adhesive and flux, clinching of leads, board transport, the solder wave parameters, and the time during which components are exposed to the wave
- Solder bath specifications, including temperature and impurities

15.4 Reflow soldering

Key characteristics in reflow soldering are:

- Lead-free versus SnPb soldering; note that a lead-free reflow process usually leads to higher minimum peak temperatures (see [Figure 10](#)) than a SnPb process, thus reducing the process window
- Solder paste printing issues including smearing, release, and adjusting the process window for a mix of large and small components on one board
- Reflow temperature profile; this profile includes preheat, reflow (in which the board is heated to the peak temperature) and cooling down. It is imperative that the peak temperature is high enough for the solder to make reliable solder joints (a solder paste characteristic). In addition, the peak temperature must be low enough that the packages and/or boards are not damaged. The peak temperature of the package depends on package thickness and volume and is classified in accordance with [Table 12](#) and [13](#)

Table 12. SnPb eutectic process (from J-STD-020C)

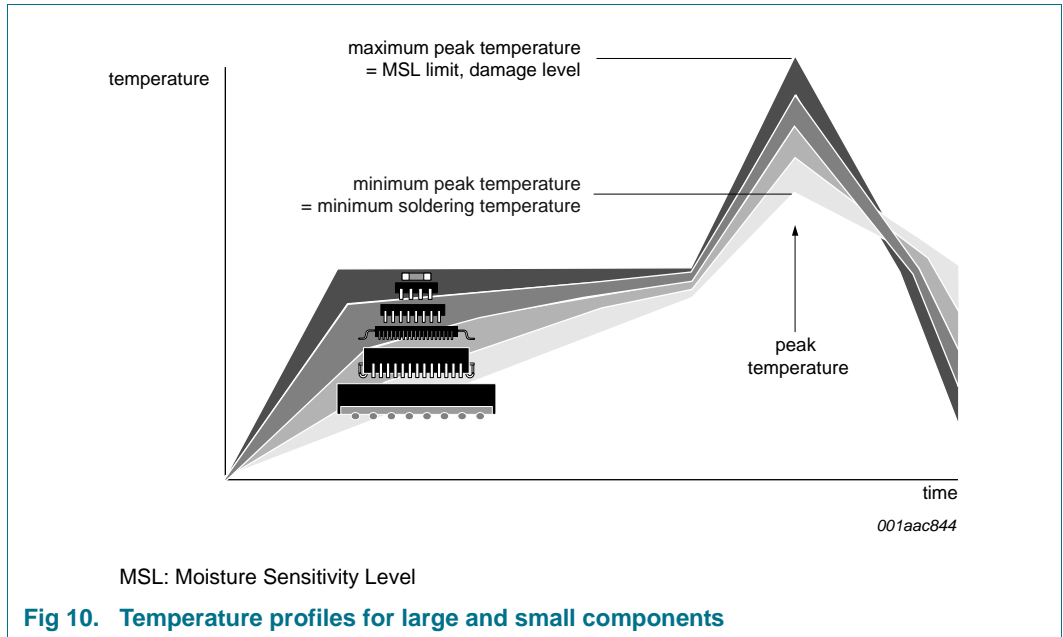
Package thickness (mm)	Package reflow temperature (°C)	
	Volume (mm ³)	
	< 350	≥ 350
< 2.5	235	220
≥ 2.5	220	220

Table 13. Lead-free process (from J-STD-020C)

Package thickness (mm)	Package reflow temperature (°C)		
	Volume (mm ³)		
	< 350	350 to 2000	> 2000
< 1.6	260	260	260
1.6 to 2.5	260	250	245
> 2.5	250	245	245

Moisture sensitivity precautions, as indicated on the packing, must be respected at all times.

Studies have shown that small packages reach higher temperatures during reflow soldering, see [Figure 10](#).



For further information on temperature profiles, refer to Application Note AN10365 “Surface mount reflow soldering description”.

16. Abbreviations

Table 14. Abbreviations

Acronym	Description
ESD	ElectroStatic Discharge
HBM	Human Body Model
LDO	Low DropOut
MM	Machine Model
OSP	Organic Solderability Preservation
PCB	Printed-Circuit Board
PSRR	Power Supply Rejection Ratio
RMS	Root Mean Square
RoHS	Restriction of Hazardous Substances

17. References

- [1] **IEC 60134** — Rating systems for electronic tubes and valves and analogous semiconductor devices
- [2] **IEC 61340-3-1** — Methods for simulation of electrostatic effects - Human body model (HBM) electrostatic discharge test waveforms
- [3] **JESD22-A115C** — Electrostatic discharge (ESD) Sensitivity Testing Machine Model (MM)
- [4] **NX2-00001** — NXP Semiconductors Quality and Reliability Specification
- [5] **AN10365** — Surface mount reflow soldering description

18. Revision history

Table 15. Revision history

Document ID	Release date	Data sheet status	Change notice	Supersedes
LD6805_SER v.2	20120625	Product data sheet	-	LD6805_SER v.1
Modifications:	<ul style="list-style-type: none">• Block diagrams updated• Minor text changes			
LD6805_SER v.1	20110922	Objective data sheet	-	-

19. Legal information

19.1 Data sheet status

Document status ^{[1][2]}	Product status ^[3]	Definition
Objective [short] data sheet	Development	This document contains data from the objective specification for product development.
Preliminary [short] data sheet	Qualification	This document contains data from the preliminary specification.
Product [short] data sheet	Production	This document contains the product specification.

[1] Please consult the most recently issued document before initiating or completing a design.

[2] The term 'short data sheet' is explained in section "Definitions".

[3] The product status of device(s) described in this document may have changed since this document was published and may differ in case of multiple devices. The latest product status information is available on the Internet at URL <http://www.nxp.com>.

19.2 Definitions

Draft — The document is a draft version only. The content is still under internal review and subject to formal approval, which may result in modifications or additions. NXP Semiconductors does not give any representations or warranties as to the accuracy or completeness of information included herein and shall have no liability for the consequences of use of such information.

Short data sheet — A short data sheet is an extract from a full data sheet with the same product type number(s) and title. A short data sheet is intended for quick reference only and should not be relied upon to contain detailed and full information. For detailed and full information see the relevant full data sheet, which is available on request via the local NXP Semiconductors sales office. In case of any inconsistency or conflict with the short data sheet, the full data sheet shall prevail.

Product specification — The information and data provided in a Product data sheet shall define the specification of the product as agreed between NXP Semiconductors and its customer, unless NXP Semiconductors and customer have explicitly agreed otherwise in writing. In no event however, shall an agreement be valid in which the NXP Semiconductors product is deemed to offer functions and qualities beyond those described in the Product data sheet.

19.3 Disclaimers

Limited warranty and liability — Information in this document is believed to be accurate and reliable. However, NXP Semiconductors does not give any representations or warranties, expressed or implied, as to the accuracy or completeness of such information and shall have no liability for the consequences of use of such information. NXP Semiconductors takes no responsibility for the content in this document if provided by an information source outside of NXP Semiconductors.

In no event shall NXP Semiconductors be liable for any indirect, incidental, punitive, special or consequential damages (including - without limitation - lost profits, lost savings, business interruption, costs related to the removal or replacement of any products or rework charges) whether or not such damages are based on tort (including negligence), warranty, breach of contract or any other legal theory.

Notwithstanding any damages that customer might incur for any reason whatsoever, NXP Semiconductors' aggregate and cumulative liability towards customer for the products described herein shall be limited in accordance with the *Terms and conditions of commercial sale* of NXP Semiconductors.

Right to make changes — NXP Semiconductors reserves the right to make changes to information published in this document, including without limitation specifications and product descriptions, at any time and without notice. This document supersedes and replaces all information supplied prior to the publication hereof.

Suitability for use — NXP Semiconductors products are not designed, authorized or warranted to be suitable for use in life support, life-critical or safety-critical systems or equipment, nor in applications where failure or malfunction of an NXP Semiconductors product can reasonably be expected to result in personal injury, death or severe property or environmental damage. NXP Semiconductors and its suppliers accept no liability for inclusion and/or use of NXP Semiconductors products in such equipment or applications and therefore such inclusion and/or use is at the customer's own risk.

Applications — Applications that are described herein for any of these products are for illustrative purposes only. NXP Semiconductors makes no representation or warranty that such applications will be suitable for the specified use without further testing or modification.

Customers are responsible for the design and operation of their applications and products using NXP Semiconductors products, and NXP Semiconductors accepts no liability for any assistance with applications or customer product design. It is customer's sole responsibility to determine whether the NXP Semiconductors product is suitable and fit for the customer's applications and products planned, as well as for the planned application and use of customer's third party customer(s). Customers should provide appropriate design and operating safeguards to minimize the risks associated with their applications and products.

NXP Semiconductors does not accept any liability related to any default, damage, costs or problem which is based on any weakness or default in the customer's applications or products, or the application or use by customer's third party customer(s). Customer is responsible for doing all necessary testing for the customer's applications and products using NXP Semiconductors products in order to avoid a default of the applications and the products or of the application or use by customer's third party customer(s). NXP does not accept any liability in this respect.

Limiting values — Stress above one or more limiting values (as defined in the Absolute Maximum Ratings System of IEC 60134) will cause permanent damage to the device. Limiting values are stress ratings only and (proper) operation of the device at these or any other conditions above those given in the Recommended operating conditions section (if present) or the Characteristics sections of this document is not warranted. Constant or repeated exposure to limiting values will permanently and irreversibly affect the quality and reliability of the device.

Terms and conditions of commercial sale — NXP Semiconductors products are sold subject to the general terms and conditions of commercial sale, as published at <http://www.nxp.com/profile/terms>, unless otherwise agreed in a valid written individual agreement. In case an individual agreement is concluded only the terms and conditions of the respective agreement shall apply. NXP Semiconductors hereby expressly objects to applying the customer's general terms and conditions with regard to the purchase of NXP Semiconductors products by customer.

No offer to sell or license — Nothing in this document may be interpreted or construed as an offer to sell products that is open for acceptance or the grant, conveyance or implication of any license under any copyrights, patents or other industrial or intellectual property rights.

Export control — This document as well as the item(s) described herein may be subject to export control regulations. Export might require a prior authorization from competent authorities.

Non-automotive qualified products — Unless this data sheet expressly states that this specific NXP Semiconductors product is automotive qualified, the product is not suitable for automotive use. It is neither qualified nor tested in accordance with automotive testing or application requirements. NXP Semiconductors accepts no liability for inclusion and/or use of non-automotive qualified products in automotive equipment or applications.

In the event that customer uses the product for design-in and use in automotive applications to automotive specifications and standards, customer (a) shall use the product without NXP Semiconductors' warranty of the product for such automotive applications, use and specifications, and (b) whenever customer uses the product for automotive applications beyond

NXP Semiconductors' specifications such use shall be solely at customer's own risk, and (c) customer fully indemnifies NXP Semiconductors for any liability, damages or failed product claims resulting from customer design and use of the product for automotive applications beyond NXP Semiconductors' standard warranty and NXP Semiconductors' product specifications.

Translations — A non-English (translated) version of a document is for reference only. The English version shall prevail in case of any discrepancy between the translated and English versions.

19.4 Trademarks

Notice: All referenced brands, product names, service names and trademarks are the property of their respective owners.

20. Contact information

For more information, please visit: <http://www.nxp.com>

For sales office addresses, please send an email to: salesaddresses@nxp.com

21. Contents

1 Product profile 1

1.1 General description 1

1.2 Features and benefits 1

1.3 Applications 1

2 Pinning information 2

2.1 Pinning 2

2.2 Pin description 2

3 Ordering information 2

3.1 Ordering options 3

4 Block diagram 4

5 Limiting values 5

6 Recommended operating conditions 5

7 Thermal characteristics 5

8 Characteristics 6

9 Dynamic behavior 7

9.1 Power Supply Rejection Ratio (PSRR) 7

9.2 Dropout 8

9.3 Accuracy 9

10 Application information 9

10.1 Output capacitor values 9

11 Test information 10

11.1 Quality information 10

12 Marking 10

13 Package outline 11

14 Soldering 12

15 Soldering of SMD packages 13

15.1 Introduction to soldering 13

15.2 Wave and reflow soldering 13

15.3 Wave soldering 13

15.4 Reflow soldering 14

16 Abbreviations 16

17 References 16

18 Revision history 17

19 Legal information 18

19.1 Data sheet status 18

19.2 Definitions 18

19.3 Disclaimers 18

19.4 Trademarks 19

20 Contact information 19

21 Contents 20

Please be aware that important notices concerning this document and the product(s) described herein, have been included in section 'Legal information'.



© NXP B.V. 2012. All rights reserved.

For more information, please visit: <http://www.nxp.com>
 For sales office addresses, please send an email to: salesaddresses@nxp.com

Date of release: 25 June 2012
 Document identifier: LD6805_SER

Looking for pricing, stock, or lifecycle information?

Click below to explore more details on WIN SOURCE:

-  [View LD6805K/22P,115 on WIN SOURCE](#)
-  [NXP / Nexperia Information](#)

Optimize Your Supply Chain with WIN SOURCE Solutions

-  Global Sourcing Solution
-  Obsolete Management
-  Cost Control Management
-  Shortage Management
-  Alternative Solution
-  Excess Inventory Management