



**THE DATASHEET OF  
LT1614CMS8#TRPBF**



## FEATURES

- Better Regulation Than a Charge Pump
- 0.1Ω Effective Output Impedance
- -5V at 200mA from a 5V Input
- 600kHz Fixed Frequency Operation
- Operates with  $V_{IN}$  as Low as 1V
- 1mA Quiescent Current
- Low Shutdown Current: 10μA
- Low-Battery Detector
- Low  $V_{CESAT}$  Switch: 295mV at 500mA

## APPLICATIONS

- MR Head Bias
- LCD Bias
- GaAs FET Bias
- Positive-to-Negative Conversion

## DESCRIPTION

The LT<sup>®</sup>1614 is a fixed frequency, inverting mode switching regulator that operates from an input voltage as low as 1V. Utilizing a low noise topology, the LT1614 can generate a negative output down to -24V from a 1V to 5V input. Fixed frequency switching ensures a clean output free from low frequency noise. The device contains a low-battery detector with a 200mV reference and shuts down to less than 10μA. No load quiescent current of the LT1614 is 1mA and the internal NPN power switch handles a 500mA current with a voltage drop of just 295mV.

High frequency switching enables the use of small inductors and capacitors. Ceramic capacitors can be used in many applications, eliminating the need for bulky tantalum types.

The LT1614 is available in 8-lead MSOP or SO packages.

LT, LTC and LT are registered trademarks of Linear Technology Corporation.

## TYPICAL APPLICATION

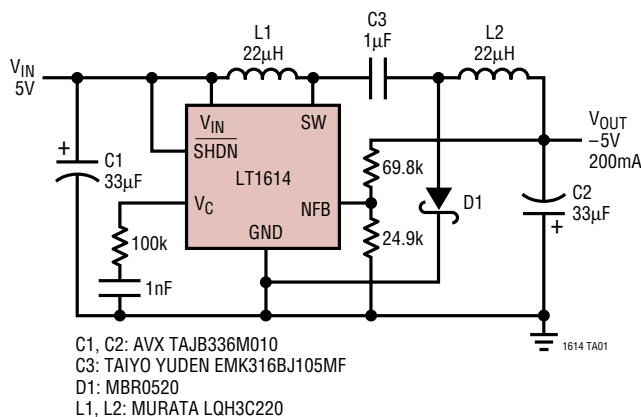
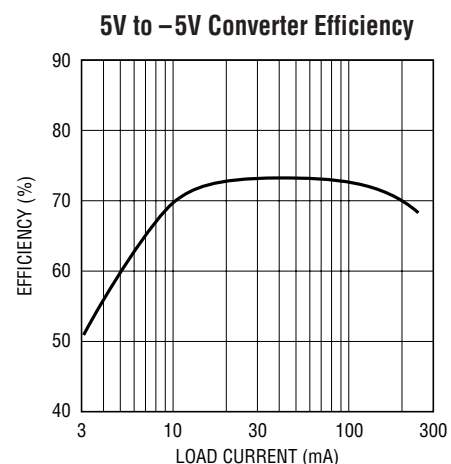


Figure 1. 5V to -5V/200mA Converter



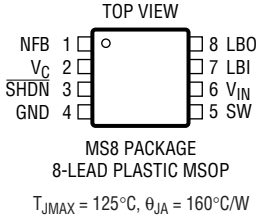
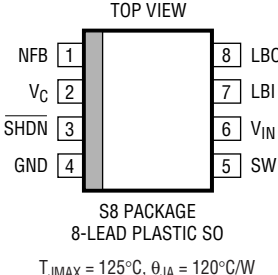
1614 TA02

# LT1614

## ABSOLUTE MAXIMUM RATINGS (Note 1)

|  |                           |  |                |
|--|---------------------------|--|----------------|
| $V_{IN}$ , $\overline{SHDN}$ , LBO Voltage ..... | 12V                       | Operating Temperature Range                |                |
| SW Voltage .....                                 | -0.4V to 30V              | LT1614C .....                              | 0°C to 70°C    |
| NFB Voltage .....                                | -3V                       | LT1614I .....                              | -40°C to 85°C  |
| $V_C$ Voltage .....                              | 2V                        | Extended Commercial                        |                |
| LBI Voltage .....                                | $0V \leq V_{LBI} \leq 1V$ | Temperature Range (Note 2) .....           | -40°C to 85°C  |
| Current into FB Pin .....                        | $\pm 1mA$                 | Storage Temperature Range .....            | -65°C to 150°C |
| Junction Temperature .....                       | 125°C                     | Lead Temperature (Soldering, 10 sec) ..... | 300°C          |

## PACKAGE/ORDER INFORMATION

|   |                          |   |                        |
|---|--------------------------|---|------------------------|
|  <p>MS8 PACKAGE<br/>8-LEAD PLASTIC MSOP<br/><math>T_{JMAX} = 125^{\circ}C, \theta_{JA} = 160^{\circ}C/W</math></p> | ORDER PART NUMBER        |  <p>S8 PACKAGE<br/>8-LEAD PLASTIC SO<br/><math>T_{JMAX} = 125^{\circ}C, \theta_{JA} = 120^{\circ}C/W</math></p> | ORDER PART NUMBER      |
|   | LT1614CMS8<br>LT1614IMS8 |   | LT1614CS8<br>LT1614IS8 |
|   | MS8 PART MARKING         |   | S8 PART MARKING        |
|   | LTID<br>LTJB             |   | 1614<br>1614I          |

Consult factory for Military grade parts.

## ELECTRICAL CHARACTERISTICS

The ● denotes the specifications which apply over the full operating temperature range, otherwise specifications are at  $T_A = 25^{\circ}C$ . Commercial Grade 0°C to 70°C.  $V_{IN} = 1.5V$ ,  $V_{\overline{SHDN}} = V_{IN}$  unless otherwise noted.

| PARAMETER                     | CONDITIONS                 | MIN     | TYP   | MAX   | UNITS      |
|-------------------------------|----------------------------|---------|-------|-------|------------|
| Quiescent Current             | $V_{\overline{SHDN}} = 0V$ |         | 1     | 2     | mA         |
|                               |                            |         | 5     | 10    | $\mu A$    |
| Feedback Voltage              |                            | ● -1.21 | -1.24 | -1.27 | V          |
| NFB Pin Bias Current (Note 3) | $V_{NFB} = -1.24V$         | ● -2.5  | -4.5  | -7    | $\mu A$    |
| Reference Line Regulation     | $1V \leq V_{IN} \leq 2V$   |         | 0.6   | 1.1   | %/V        |
|                               | $2V \leq V_{IN} \leq 6V$   |         | 0.3   | 0.8   | %/V        |
| Minimum Input Voltage         |                            |         | 0.92  | 1     | V          |
| Maximum Input Voltage         |                            | ●       |       | 6     | V          |
| Error Amp Transconductance    | $\Delta I = 5\mu A$        |         | 16    |       | $\mu mhos$ |
| Error Amp Voltage Gain        |                            |         | 100   |       | V/V        |
| Switching Frequency           |                            | ● 500   | 600   | 750   | kHz        |
| Maximum Duty Cycle            |                            | ● 73    | 80    |       | %          |
|                               |                            | 70      | 80    |       | %          |
| Switch Current Limit (Note 4) |                            | 0.75    | 1.2   |       | A          |

**ELECTRICAL CHARACTERISTICS** The ● denotes the specifications which apply over the full operating temperature range, otherwise specifications are at  $T_A = 25^\circ\text{C}$ . Commercial Grade  $0^\circ\text{C}$  to  $70^\circ\text{C}$ .  $V_{IN} = 1.5\text{V}$ ,  $V_{SHDN} = V_{IN}$  unless otherwise noted.

| PARAMETER                       | CONDITIONS   | MIN          | TYP      | MAX        | UNITS                          |
|---------------------------------|--|--------------|----------|------------|--------------------------------|
| Switch $V_{CESAT}$              | $I_{SW} = 500\text{mA}$ ( $25^\circ\text{C}$ , $0^\circ\text{C}$ )<br>$I_{SW} = 500\text{mA}$ ( $70^\circ\text{C}$ ) |              | 295      | 350<br>400 | mV<br>mV                       |
| Shutdown Pin Current            | $V_{SHDN} = V_{IN}$<br>$V_{SHDN} = 0\text{V}$  |              | 10<br>-5 | 20<br>-10  | $\mu\text{A}$<br>$\mu\text{A}$ |
| LBI Threshold Voltage           |  | ● 190<br>185 | 200      | 210<br>215 | mV<br>mV                       |
| LBO Output Low                  | $I_{SINK} = 10\mu\text{A}$   |              | 0.1      | 0.25       | V                              |
| LBO Leakage Current             | $V_{LBI} = 250\text{mV}$ , $V_{LBO} = 5\text{V}$   |              | 0.01     | 0.1        | $\mu\text{A}$                  |
| LBI Input Bias Current (Note 5) | $V_{LBI} = 150\text{mV}$   |              | 10       | 50         | nA                             |
| Low-Battery Detector Gain       | $1\text{M}\Omega$ Load   |              | 1000     |            | V/V                            |
| Switch Leakage Current          | $V_{SW} = 5\text{V}$   |              | 0.01     | 3          | $\mu\text{A}$                  |

**Industrial Grade  $-40^\circ\text{C}$  to  $85^\circ\text{C}$ .  $V_{IN} = 1.5\text{V}$ ,  $V_{SHDN} = V_{IN}$  unless otherwise noted.**

| PARAMETER                       | CONDITIONS  | MIN     | TYP        | MAX         | UNITS                          |
|---------------------------------|---|---------|------------|-------------|--------------------------------|
| Quiescent Current               | $V_{SHDN} = 0\text{V}$  |         | 1<br>5     | 2<br>10     | mA<br>$\mu\text{A}$            |
| Feedback Voltage                |   | ● -1.21 | -1.24      | -1.27       | V                              |
| NFB Pin Bias Current (Note 3)   | $V_{NFB} = -1.24\text{V}$   | ● -2    | -4.5       | -7.5        | $\mu\text{A}$                  |
| Reference Line Regulation       | $1\text{V} \leq V_{IN} \leq 2\text{V}$<br>$2\text{V} \leq V_{IN} \leq 6\text{V}$                  |         | 0.6<br>0.3 | 1.1<br>0.8  | %/V<br>%/V                     |
| Minimum Input Voltage           | $-40^\circ\text{C}$<br>$85^\circ\text{C}$   |         | 1.1<br>0.8 | 1.25<br>1.0 | V<br>V                         |
| Maximum Input Voltage           |   | ●       |            | 6           | V                              |
| Error Amp Transconductance      | $\Delta I = 5\mu\text{A}$   |         | 16         |             | $\mu\text{mhos}$               |
| Error Amp Voltage Gain          |   |         | 100        |             | V/V                            |
| Switching Frequency             |   | ● 500   | 600        | 750         | kHz                            |
| Maximum Duty Cycle              |   | ● 70    | 80         |             | %                              |
| Switch Current Limit (Note 4)   |   | 0.75    | 1.2        |             | A                              |
| Switch $V_{CESAT}$              | $I_{SW} = 500\text{mA}$ ( $-40^\circ\text{C}$ )<br>$I_{SW} = 500\text{mA}$ ( $85^\circ\text{C}$ ) |         | 250<br>330 | 350<br>400  | mV<br>mV                       |
| Shutdown Pin Current            | $V_{SHDN} = V_{IN}$<br>$V_{SHDN} = 0\text{V}$   |         | 10<br>-5   | 20<br>-10   | $\mu\text{A}$<br>$\mu\text{A}$ |
| LBI Threshold Voltage           |   | ● 180   | 200        | 220         | mV                             |
| LBO Output Low                  | $I_{SINK} = 10\mu\text{A}$  |         | 0.1        | 0.25        | V                              |
| LBO Leakage Current             | $V_{LBI} = 250\text{mV}$ , $V_{LBO} = 5\text{V}$  |         | 0.1        | 0.3         | $\mu\text{A}$                  |
| LBI Input Bias Current (Note 5) | $V_{LBI} = 150\text{mV}$  |         | 5          | 30          | nA                             |
| Low-Battery Detector Gain       | $1\text{M}\Omega$ Load  |         | 1000       |             | V/V                            |
| Switch Leakage Current          | $V_{SW} = 5\text{V}$  |         | 0.01       | 3           | $\mu\text{A}$                  |

**Note 1:** Absolute Maximum Ratings are those values beyond which the life of a device may be impaired.

**Note 2:** The LT1614C is guaranteed to meet specified performance from  $0^\circ\text{C}$  to  $70^\circ\text{C}$  and is designed, characterized and expected to meet these extended temperature limits, but is not tested at  $-40^\circ\text{C}$  and  $85^\circ\text{C}$ . The LT1614I is guaranteed to meet the extended temperature limits.

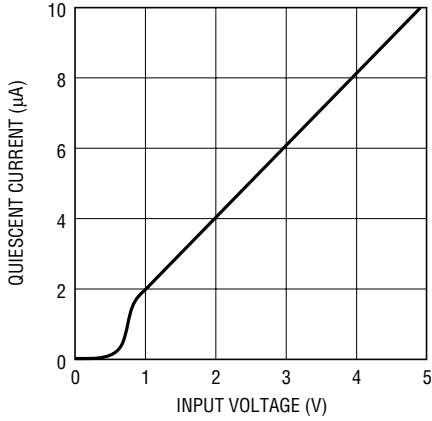
**Note 3:** Bias current flows out of NFB pin.

**Note 4:** Switch current limit guaranteed by design and/or correlation to static tests. Duty cycle affects current limit due to ramp generator.

**Note 5:** Bias current flows out of LBI pin.

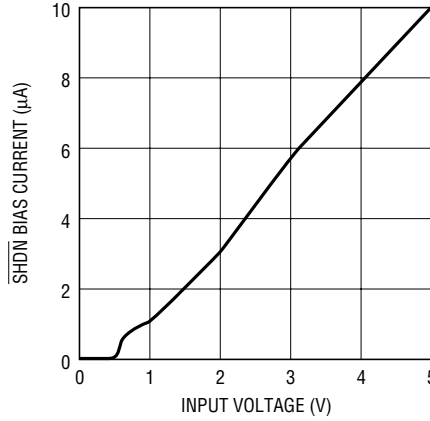
# TYPICAL PERFORMANCE CHARACTERISTICS

Quiescent Current in Shutdown



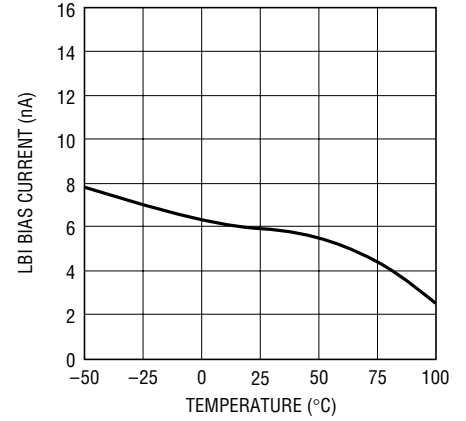
1614 G01

Shutdown Pin Bias Current vs Input Voltage



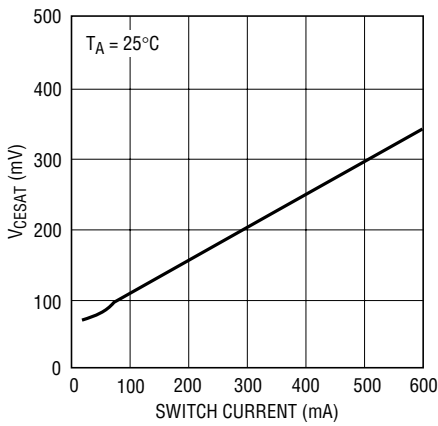
1614 G02

LBI Bias Current vs Temperature



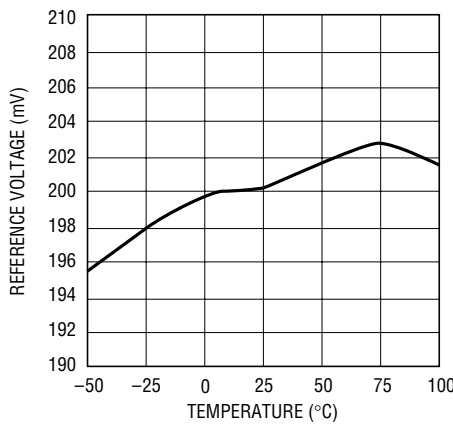
1614 G03

Switch  $V_{CESAT}$  vs Current



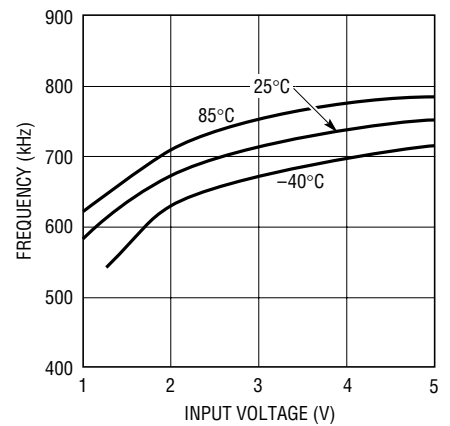
1614 G04

LBI Reference vs Temperature



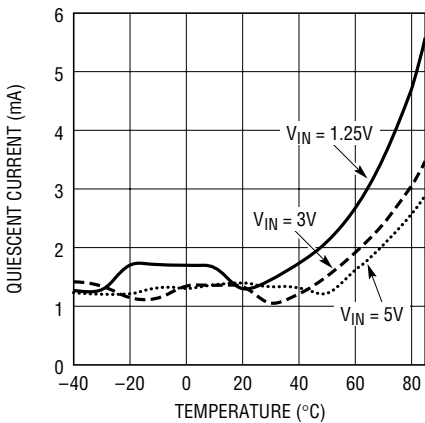
1614 G05

Oscillator Frequency vs Input Voltage



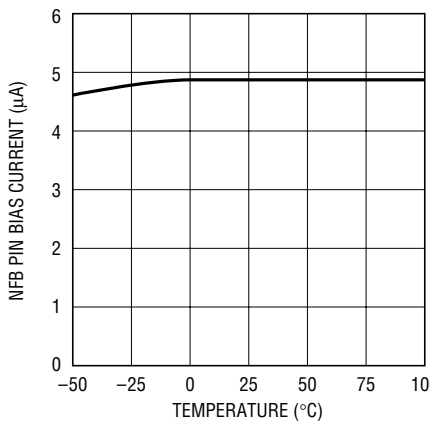
1614 G06

Quiescent Current vs Temperature\*



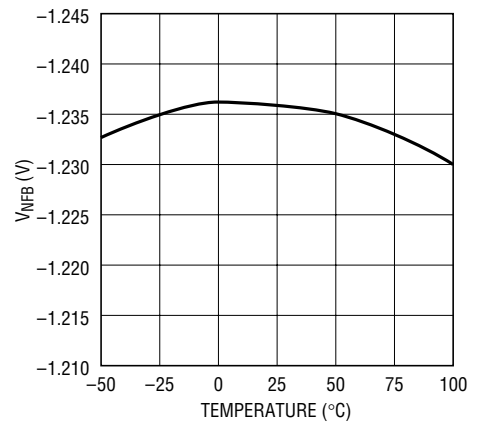
1614 G07

NFB Pin Bias Current vs Temperature



1614 G08

$V_{NFB}$  vs Temperature



1614 G09

\*Includes diode leakage

## PIN FUNCTIONS

**NFB (Pin 1):** Negative Feedback Pin. Reference voltage is  $-1.24V$ . Connect resistive divider tap here. The suggested value for R2 is 24.9k. Set R1 and R2 according to:

$$R1 = \frac{|V_{OUT}| - 1.24}{\frac{1.24}{R2} + (4.5 \cdot 10^{-6})}$$

**V<sub>C</sub> (Pin 2):** Compensation Pin for Error Amplifier. Connect a series RC from this pin to ground. Typical values are 100kΩ and 1nF. Minimize trace area at V<sub>C</sub>.

**SHDN (Pin 3):** Shutdown. Ground this pin to turn off switcher. Must be tied to V<sub>IN</sub> (or higher voltage) to enable switcher. Do not float the SHDN pin.

**GND (Pin 4):** Ground. Connect directly to local ground plane.

**SW (Pin 5):** Switch Pin. Minimize trace area at this pin to keep EMI down.

**V<sub>IN</sub> (Pin 6):** Supply Pin. Must have 1μF ceramic bypass capacitor right at the pin, connected directly to ground.

**LBI (Pin 7):** Low-Battery Detector Input. 200mV reference. Voltage on LBI must stay between ground and 700mV. Float this pin if not used.

**LBO (Pin 8):** Low-Battery Detector Output. Open collector, can sink 10μA. A 1MΩ pull-up is recommended. Float this pin if not used. The low-battery detector is disabled when SHDN is low. LBO is high-Z in this state.

## BLOCK DIAGRAM

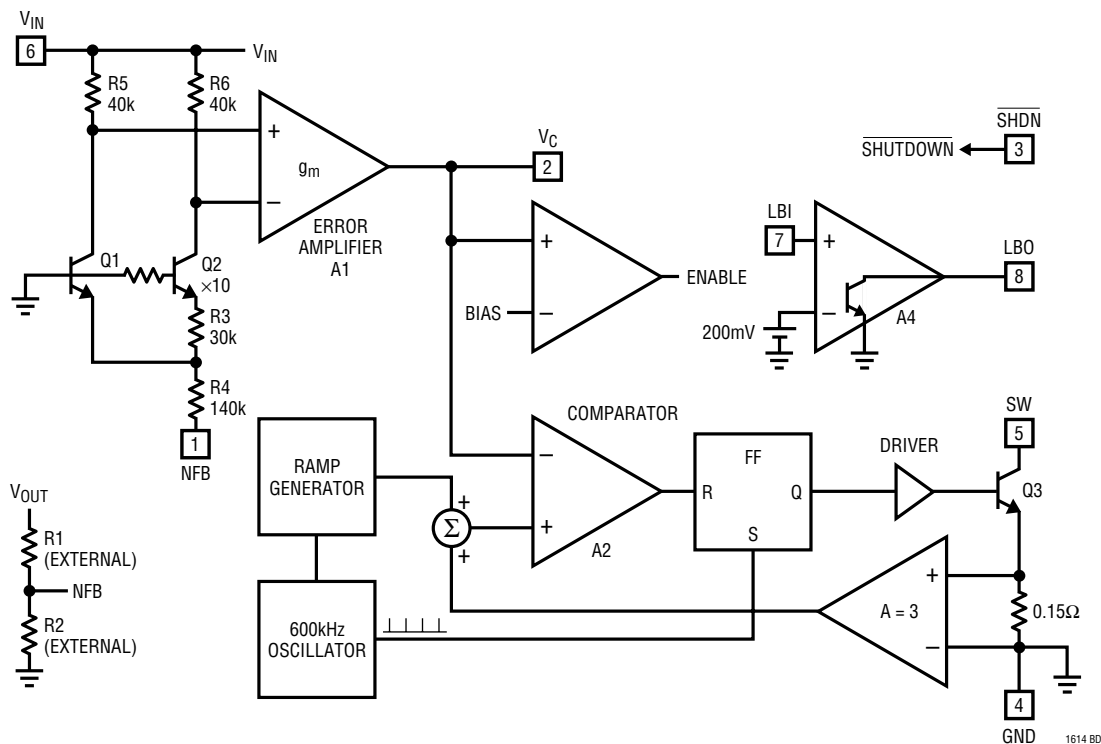


Figure 2. Block Diagram

## OPERATION

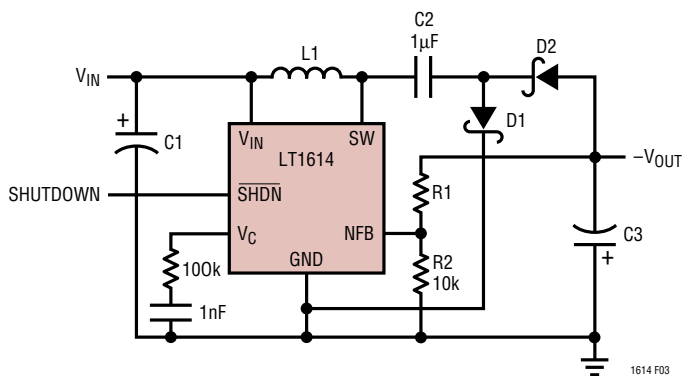
The LT1614 combines a current mode, fixed frequency PWM architecture with a  $-1.23\text{V}$  reference to directly regulate negative outputs. Operation can be best understood by referring to the block diagram of Figure 2. Q1 and Q2 form a bandgap reference core whose loop is closed around the output of the converter. The driven reference point is the lower end of resistor R4, which normally sits at a voltage of  $-1.23\text{V}$ . As the load current changes, the NFB pin voltage also changes slightly, driving the output of  $g_m$  amplifier A1. Switch current is regulated directly on a cycle-to-cycle basis by A1's output. The flip-flop is set at the beginning of each cycle, turning on the switch. When the summation of a signal representing switch current and a ramp generator (introduced to avoid subharmonic oscillations at duty factors greater than 50%) exceeds the  $V_C$  signal, comparator A2 changes stage, resetting the flip-flop and turning off the switch. Output voltage decreases (the magnitude increases) as switch current is increased. The output, attenuated by external resistor divider R1 and R2, appears at the NFB pin, closing the overall loop. Frequency compensation is provided externally by a series RC connected from the  $V_C$  pin to ground. Typical values are  $100\text{k}$  and  $1\text{nF}$ . Transient response can be tailored by adjustment of these values.

As load current is decreased, the switch turns on for a shorter period each cycle. If the load current is further decreased, the converter will skip cycles to maintain output voltage regulation.

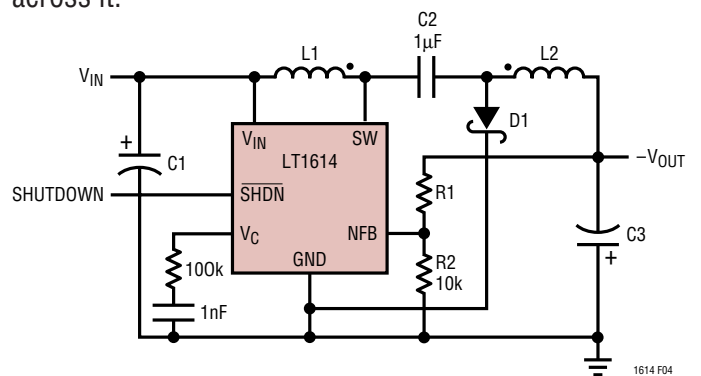
The LT1614 can work in either of two topologies. The simpler topology appends a capacitive level shift to a boost converter, generating a negative output voltage, which is directly regulated. The circuit schematic is detailed in Figure 3. Only one inductor is required, and the two diodes can be in a single SOT-23 package. Output noise is the same as in a boost converter, because current is delivered to the output only during the time when the LT1614's internal switch is on.

If D2 is replaced by an inductor, as shown in Figure 4, a higher performance solution results. This converter topology was developed by Professor S. Cuk of the California Institute of Technology in the 1970s. A low ripple voltage results with this topology due to inductor L2 in series with the output. Abrupt changes in output capacitor current are eliminated because the output inductor delivers current to the output during both the off-time and the on-time of the LT1614 switch. With proper layout and high quality output capacitors, output ripple can be as low as  $1\text{mV}_{\text{P-P}}$ .

The operation of Cuk's topology is shown in Figures 5 and 6. During the first switching phase, the LT1614's switch, represented by Q1, is on. There are two current loops in operation. The first loop begins at input capacitor C1, flows through L1, Q1 and back to C1. The second loop flows from output capacitor C3, through L2, C2, Q1 and back to C3. The output current from  $R_{\text{LOAD}}$  is supplied by L2 and C3. The voltage at node SW is  $V_{\text{CESAT}}$  and at node SWX the voltage is  $-(V_{\text{IN}} + |V_{\text{OUT}}|)$ . Q1 must conduct both L1 and L2 current. C2 functions as a voltage level shifter, with an approximately constant voltage of  $(V_{\text{IN}} + |V_{\text{OUT}}|)$  across it.



**Figure 3. Direct Regulation of Negative Output Using Boost Converter with Charge Pump**



**Figure 4. L2 Replaces D2 to Make Low Output Ripple Inverting Topology. Coupled or Uncoupled Inductors Can Be Used. Follow Phasing If Coupled for Best Results**

## OPERATION

When Q1 turns off during the second phase of switching, the SWX node voltage abruptly increases to  $(V_{IN} + |V_{OUT}|)$ . The SW node voltage increases to  $V_D$  (about 350mV). Now current in the first loop, beginning at C1, flows through L1, C2, D1 and back to C1. Current in the second loop flows from C3 through L2, D1 and back to C3. Load current continues to be supplied by L2 and C3.

An important layout issue arises due to the chopped nature of the currents flowing in Q1 and D1. If they are both tied directly to the ground plane before being combined, switching noise will be introduced into the ground plane. It is almost impossible to get rid of this noise, once present in the ground plane. The solution is to tie D1's cathode to the ground pin of the LT1614 before the combined cur-

rents are dumped into the ground plane as drawn in Figures 4, 5 and 6. This single layout technique can virtually eliminate high frequency "spike" noise so often present on switching regulator outputs.

Output ripple voltage appears as a triangular waveform riding on  $V_{OUT}$ . Ripple magnitude equals the ripple current of L2 multiplied by the equivalent series resistance (ESR) of output capacitor C3. Increasing the inductance of L1 and L2 lowers the ripple current, which leads to lower output voltage ripple. Decreasing the ESR of C3, by using ceramic or other low ESR type capacitors, lowers output ripple voltage. Output ripple voltage can be reduced to arbitrarily low levels by using large value inductors and low ESR, high value capacitors.

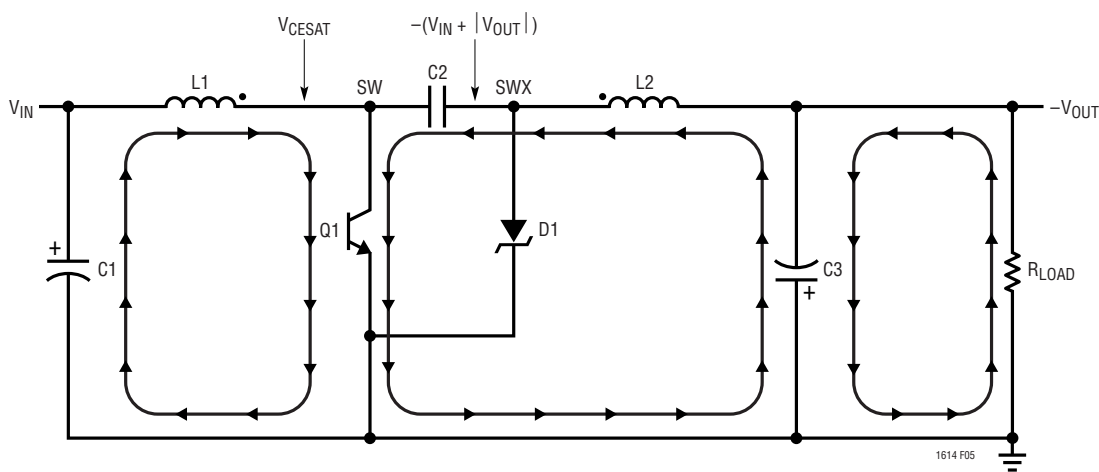


Figure 5. Switch-On Phase of Inverting Converter. L1 and L2 Current Have Positive  $di/dt$

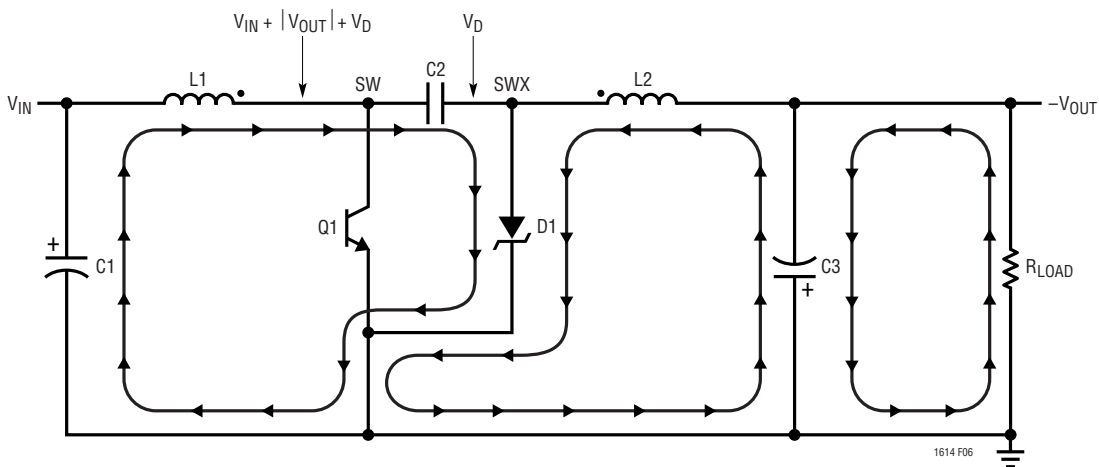


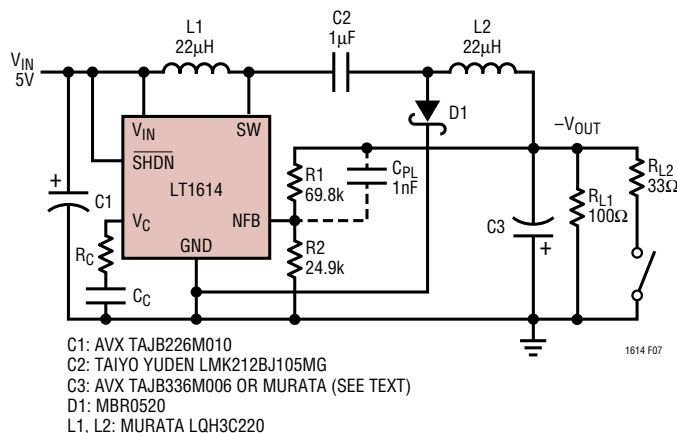
Figure 6. Switch-Off Phase of Inverting Converter. L1 and L2 Current Have Negative  $di/dt$

## OPERATION

### Transient Response

The inverting architecture of the LT1614 can generate a very low ripple output voltage. Recently available high value ceramic capacitors can be used successfully in LT1614 designs. The addition of a phase lead capacitor,  $C_{PL}$ , reduces output perturbations due to load steps when lower value ceramic capacitors are used and connected in parallel with feedback resistor R1. Figure 7 shows an LT1614 inverting converter with resistor loads  $R_{L1}$  and  $R_{L2}$ .  $R_{L1}$  is connected across the output, while  $R_{L2}$  is switched in externally via a pulse generator. Output voltage waveforms are pictured in subsequent figures, illustrating the performance of output capacitor type.

Figure 8 shows the output voltage with a 50mA to 200mA load step, using an AVX TAJ “B” case 33 $\mu$ F tantalum capacitor at the output. Output perturbation is approximately 250mV as the load changes from 50mA to 200mA. Steady-state ripple voltage is 40mV<sub>P-P</sub>, due to L1’s ripple current and C3’s ESR. Figure 9 pictures the output voltage and switch pin voltage at 500ns per division. Note the absence of high frequency spikes at the output. This is easily repeatable with proper layout, described in the next section.



**Figure 7. Switching  $R_{L2}$  Provides 50mA to 200mA Load Step for LT1614 5V to -5V Converter**

In Figure 10, output capacitor C3 is replaced by a ceramic unit. These large value capacitors have ESR of 2m $\Omega$  or less and result in very low output ripple. A 1nF capacitor,  $C_{PL}$ , connected across R1 reduces output perturbation due to load step. This keeps the output voltage within 5% of steady-state value. Figure 11 pictures the output and switch nodes at 500ns per division. Output ripple is about 5mV<sub>P-P</sub>. Again, good layout is essential to achieve this low noise performance.

### Layout

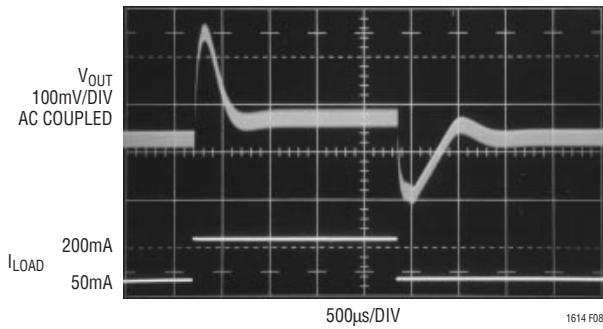
The LT1614 switches current at high speed, mandating careful attention to layout for best performance. *You will not get advertised performance with careless layout.* Figure 12 shows recommended component placement. Follow this closely in your printed circuit layout. The cut ground copper at D1’s cathode is essential to obtain the low noise achieved in Figures 10 and 11’s oscillographs. Input bypass capacitor C1 should be placed close to the LT1614 as shown. The load should connect directly to output capacitor C2 for best load regulation. You can tie the local ground into the system ground plane at C3’s ground terminal.

## COMPONENT SELECTION

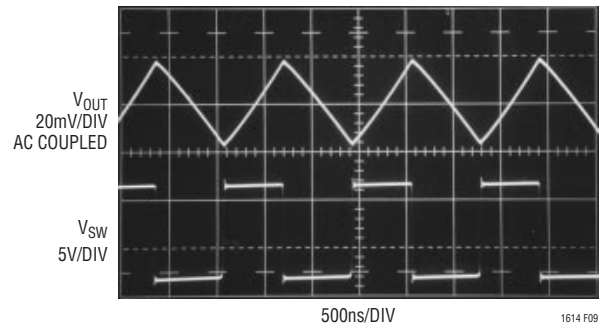
### Inductors

Each of the two inductors used with the LT1614 should have a saturation current rating (where inductance is approximately 70% of zero current inductance) of approximately 0.4A or greater. If the device is used in “charge pump” mode, where there is only one inductor, then its rating should be 0.75A or greater. DCR of the inductors should be 0.4 $\Omega$  or less. 22 $\mu$ H inductors are called out in the applications schematics because these Murata units are physically small and inexpensive. Increasing the inductance will lower ripple current, increasing available output current. A coupled inductor of 33 $\mu$ H, such as Coiltronics CTX33-2, will provide 290mA at -5V from a 5V input. Inductance can be reduced if operating from a supply voltage below 3V. Table 1 lists several inductors that will work with the LT1614, although this is not an exhaustive list. There are many magnetics vendors whose components are suitable.

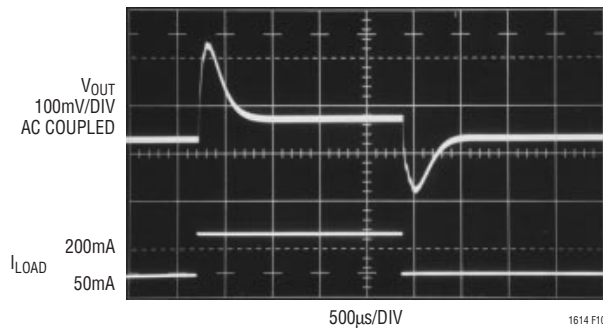
# OPERATION



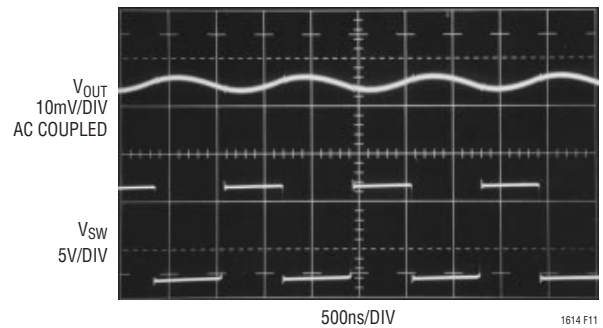
**Figure 8. Load Step Response of LT1614 with 33µF Tantalum Output Capacitor**



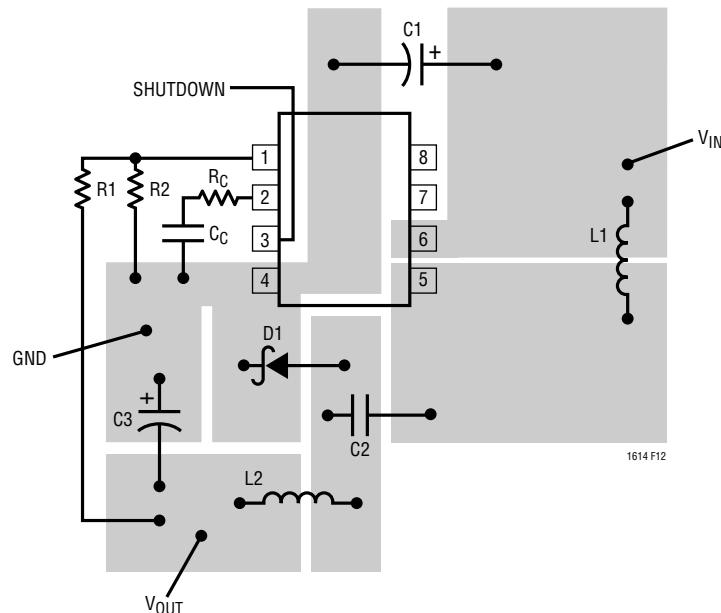
**Figure 9. 33µF “B” Case Tantalum Capacitor Has ESR Resulting in 40mVp-p Voltage Ripple at Output with 200mA Load**



**Figure 10. Replacing C3 with 22µF Ceramic Capacitor Lowers Output Voltage Ripple. 1nF Phase-Lead Capacitor in Parallel with R1 Lowers Transient Excursion**



**Figure 11. 22µF Ceramic Capacitor at Output Reduces Output Ripple Voltage**



**Figure 12. Suggested Component Placement. Note: Cut in Ground Copper at D1’s Cathode**

## OPERATION

### Capacitors

As described previously, ceramic capacitors can be used with the LT1614. For lower cost applications, small tantalum units can be used. A value of 22 $\mu$ F is acceptable, although larger capacitance values can be used. ESR is the most important parameter in selecting an output capacitor. The “flying” capacitor (C2 in the schematic figures) should be a 1 $\mu$ F ceramic type. An X5R or X7R dielectric should be used to avoid capacitance decreasing severely with applied voltage. The input bypass capacitor is less

critical, and either tantalum or ceramic can be used with little trade-off in circuit performance. Some capacitor types appropriate for use with the LT1614 are listed in Table 2.

### Diodes

A Schottky diode is recommended for use with the LT1614. The Motorola MBR0520 is a very good choice. Where the input to output voltage differential exceeds 20V, use the MBR0530 ( a 30V diode).

**Table 1. Inductor Vendors**

| VENDOR      | PHONE          | URL                 | PART                    | COMMENT                          |
|-------------|----------------|---------------------|-------------------------|----------------------------------|
| Sumida      | (847) 956-0666 | www.sumida.com      | CLS62-22022<br>CD43-470 | 22 $\mu$ H Coupled<br>47 $\mu$ H |
| Murata      | (404) 436-1300 | www.murata.com      | LQH3C-220               | 22 $\mu$ H, 2mm Height           |
| Coiltronics | (407) 241-7876 | www.coiltronics.com | CTX20-1                 | 20 $\mu$ H Coupled, Low DCR      |

**Table 2. Capacitor Vendors**

| VENDOR      | PHONE          | URL             | PART                          | COMMENT        |
|-------------|----------------|-----------------|-------------------------------|----------------|
| Taiyo Yuden | (408) 573-4150 | www.t-yuden.com | Ceramic Caps                  | X5R Dielectric |
| AVX         | (803) 448-9411 | www.avxcorp.com | Ceramic Caps<br>Tantalum Caps |                |
| Murata      | (404) 436-1300 | www.murata.com  | Ceramic Caps                  |                |

## APPLICATIONS INFORMATION

### Shutdown Pin

The LT1614 has a Shutdown pin ( $\overline{\text{SHDN}}$ ) that must be grounded to shut the device down or tied to a voltage equal or greater than  $V_{\text{IN}}$  to operate. The shutdown circuit is shown in Figure 13.

Note that allowing  $\overline{\text{SHDN}}$  to float turns on both the start-up current (Q2) and the shutdown current (Q3) for  $V_{\text{IN}} > 2V_{\text{BE}}$ . The LT1614 doesn't know what to do in this situation and behaves erratically.  $\overline{\text{SHDN}}$  voltage above  $V_{\text{IN}}$  is allowed. This merely reverse-biases Q3's base emitter junction, a benign condition. The low-battery detector is disabled when SHDN is low.

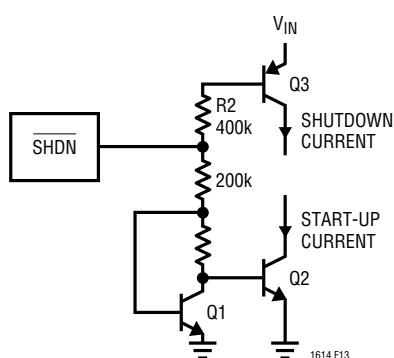


Figure 13. Shutdown Circuit

### Low-Battery Detector

The LT1614's low-battery detector is a simple PNP input gain stage with an open collector NPN output. The negative input of the gain stage is tied internally to a 200mV reference. The positive input is the LBI pin. Arrangement as a low-battery detector is straightforward. Figure 14 details hookup. R1 and R2 need only be low enough in value so that the bias current of the LBI pin doesn't cause large errors. For R2, 100k is adequate. The 200mV reference can also be accessed as shown in Figure 15. The low-battery detect is not operative when the device is shut down.

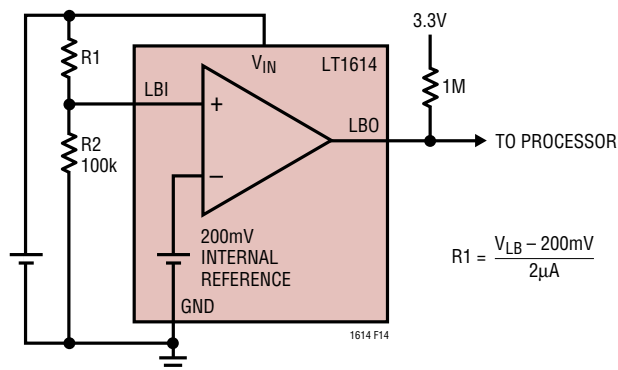


Figure 14. Setting Low-Battery Detector Trip Point

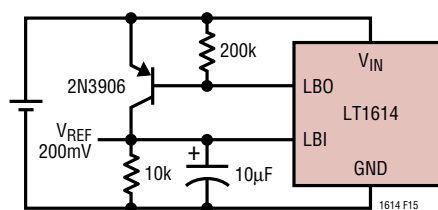


Figure 15. Accessing 200mV Reference

### Coupled Inductors

The applications shown in this data sheet use two uncoupled inductors because the Murata units specified are small and inexpensive. This topology can also be used with a coupled inductor as shown in Figure 16. Be sure to get the phasing right.

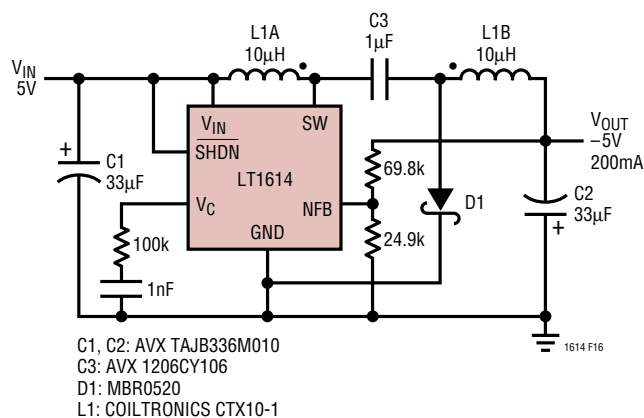
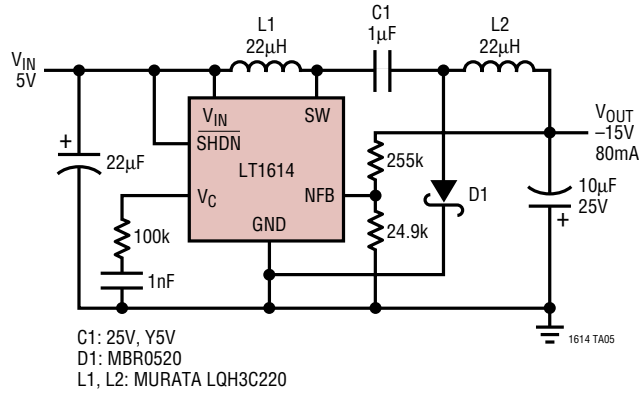


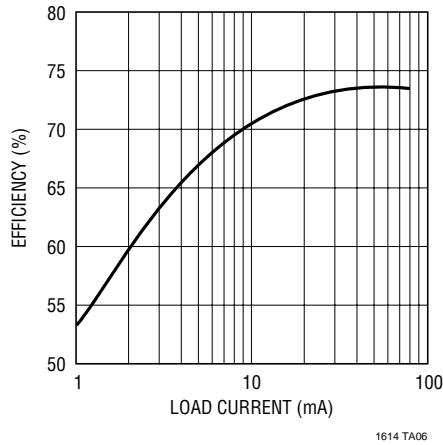
Figure 16. 5V to -5V Converter with Coupled Inductor

**TYPICAL APPLICATIONS**

**5V to -15V/80mA DC/DC Converter**

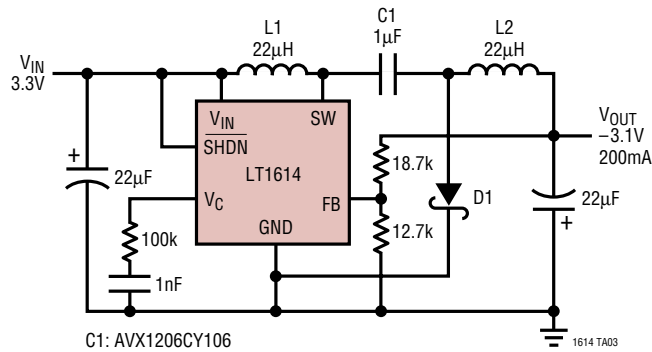


**5V to -15V Converter Efficiency**



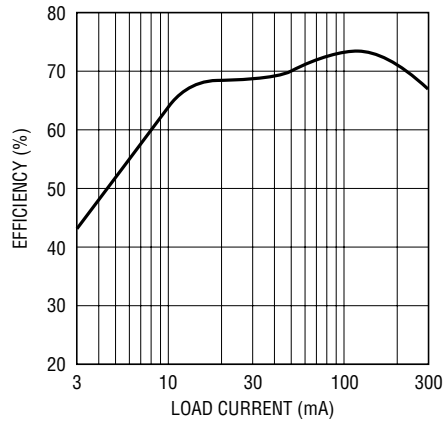
TYPICAL APPLICATIONS

3.3V to -3.1V/200mA DC/DC Converter



C1: AVX1206CY106  
 D1: MBR0520  
 L1, L2: MURATA LQH3C220

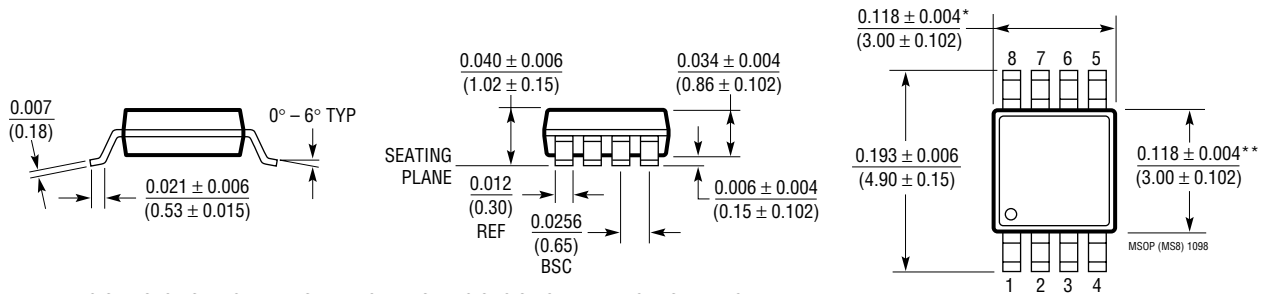
3.3V to -3.1V Converter Efficiency



1614 TA04

**PACKAGE DESCRIPTION** Dimensions in inches (millimeters) unless otherwise noted.

**MS8 Package**  
**8-Lead Plastic MSOP**  
 (LTC DWG # 05-08-1660)

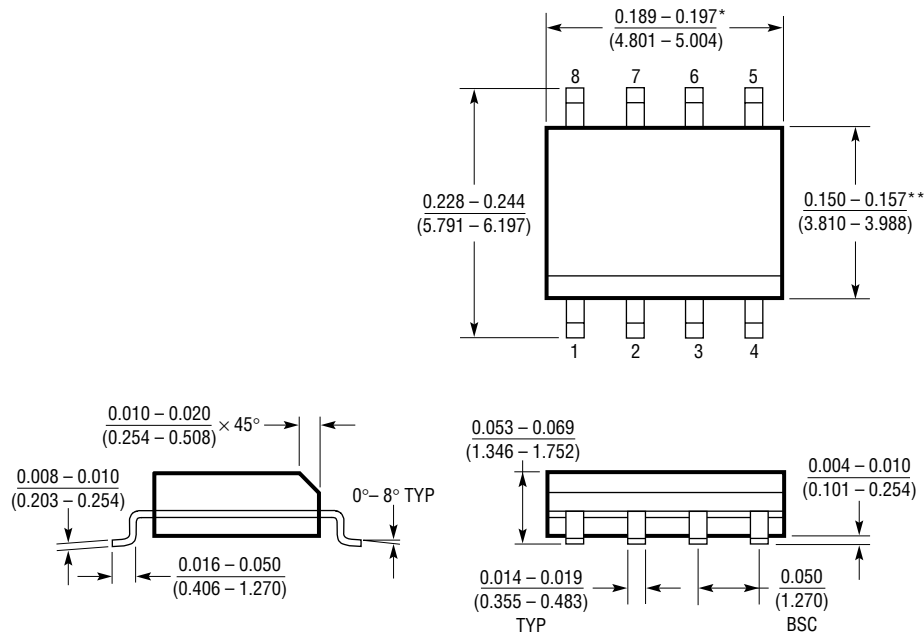


\* DIMENSION DOES NOT INCLUDE MOLD FLASH, PROTRUSIONS OR GATE BURRS. MOLD FLASH, PROTRUSIONS OR GATE BURRS SHALL NOT EXCEED  $0.006^*$  ( $0.152$ mm) PER SIDE

\*\* DIMENSION DOES NOT INCLUDE INTERLEAD FLASH OR PROTRUSIONS. INTERLEAD FLASH OR PROTRUSIONS SHALL NOT EXCEED  $0.006^*$  ( $0.152$ mm) PER SIDE

**PACKAGE DESCRIPTION** Dimensions in inches (millimeters) unless otherwise noted.

**S8 Package**  
**8-Lead Plastic Small Outline (Narrow 0.150)**  
 (LTC DWG # 05-08-1610)

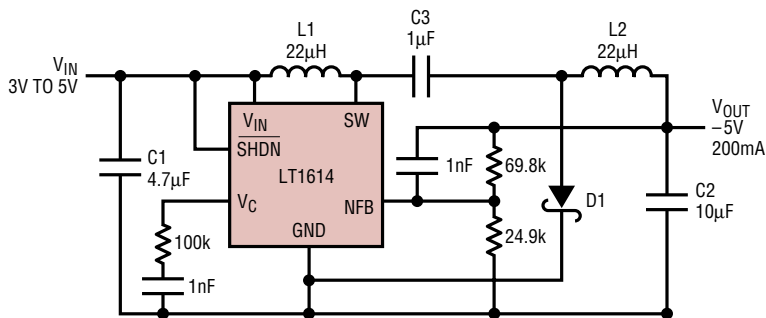


\*DIMENSION DOES NOT INCLUDE MOLD FLASH. MOLD FLASH SHALL NOT EXCEED 0.006" (0.152mm) PER SIDE  
 \*\*DIMENSION DOES NOT INCLUDE INTERLEAD FLASH. INTERLEAD FLASH SHALL NOT EXCEED 0.010" (0.254mm) PER SIDE

S08 1298

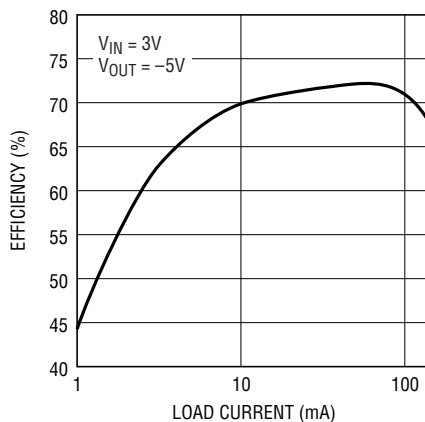
## TYPICAL APPLICATIONS

### 5V to -5V Converter Uses All Ceramic Capacitors



- C1: TAIYO YUDEN LMK316BJ475ML
- C2: TAIYO YUDEN JMK316BJ106ML
- C3: TAIYO YUDEN EMK316BJ105MF
- D1: MOTOROLA MBR0520
- L1, L2: MURATA LQH3C220 OR SUMIDA CD43-220

### Efficiency vs Load Current



1614 TA08

## RELATED PARTS

| PART NUMBER | DESCRIPTION   | COMMENTS   |
|-------------|---|--|
| LTC®1174    | High Efficiency Step-Down and Inverting DC/DC Converter       | Selectable I <sub>PEAK</sub> = 300mA or 600mA                |
| LT1307      | Single Cell Micropower 600kHz PWM DC/DC Converter             | 3.3V at 75mA from 1 Cell, MSOP Package                       |
| LT1308      | Single Cell High Current Micropower 600kHz Boost Converter    | 5V at 1A from a Single Li-Ion Cell, SO-8 Package             |
| LT1316      | Micropower Boost DC/DC Converter                              | Programmable Peak Current Limit, MSOP Package                |
| LT1317      | Micropower 600kHz PWM DC/DC Converter                         | 2 Cells to 3.3V at 200mA, MSOP Package                       |
| LTC1474     | Low Quiescent Current High Efficiency DC/DC Converter         | I <sub>Q</sub> = 10µA, Programmable Peak Current Limit, MSOP |
| LT1610      | 1.7MHz Single Cell Micropower DC/DC Converter                 | 5V at 200mA from 3.3V, MSOP Package                          |
| LT1611      | Inverting 1.4MHz Switching Regulator in 5-Lead SOT-23         | -5V at 150mA from 5V Input, Tiny SOT-23 Package              |
| LT1613      | 1.4MHz Switching Regulator in 5-Lead SOT-23                   | 5V at 200mA from 3.3V Input, Tiny SOT-23 Package             |
| LT1615      | Micropower Constant Off-Time DC/DC Converter in 5-Lead SOT-23 | 20V at 12mA from 2.5V, Tiny SOT-23 Package                   |
| LT1617      | Micropower Inverting DC/DC Converter in 5-Lead SOT-23         | -15V at 12mA from 2.5V, Tiny SOT-23 Package                  |
| LT1930      | 1.2MHz Boost DC/DC Converter in 5-Lead SOT-23                 | 5V at 480mA from 3.3V Input, V <sub>OUT</sub> Up to 34V      |
| LT1931      | 1.2MHz Inverting DC/DC Converter in 5-Lead SOT-23             | -5V at 350mA from 5V Input, 1mV <sub>P-P</sub> Output Ripple |

## Looking for pricing, stock, or lifecycle information?

Click below to explore more details on WIN SOURCE:

 [View LT1614CMS8#TRPBF on WIN SOURCE](#)

 [Linear Technology](#) Information

## Optimize Your Supply Chain with WIN SOURCE Solutions

-  Global Sourcing Solution
-  Obsolete Management
-  Cost Control Management
-  Shortage Management
-  Alternative Solution
-  Excess Inventory Management