



**THE DATASHEET OF  
LT3460EDC-1#TRMPBF**



# 1.3 MHz/650kHz Step-Up DC/DC Converter in SC70, ThinSOT and DFN

## FEATURES

- **1.3MHz (LT3460) Switching Frequency**
- **650kHz (LT3460-1) Switching Frequency**
- **High Output Voltage: Up to 36V**
- **300mA Integrated Switch (LT3460)**
- **180mA Integrated Switch (LT3460-1)**
- **Wide Input Range: 2.5V to 16V**
- **Uses Small Surface Mount Components**
- **Low Shutdown Current: <math><1\mu\text{A}</math>**
- **Low Profile (1mm) SC70 (LT3460 and LT3460-1), SOT-23 (ThinSOT™) (LT3460) and 2mm × 2mm DFN (LT3460-1) Packages**

## APPLICATIONS

- Digital Cameras
- CCD Bias Supply
- XDSL Power Supply
- TFT-LCD Bias Supply
- Local 5V or 12V Supply
- Medical Diagnostic Equipment
- Battery Backup

## DESCRIPTION

The LT<sup>®</sup>3460/LT3460-1 are general purpose step-up DC/DC converters. The LT3460/LT3460-1 switch at 1.3MHz/650kHz, allowing the use of tiny, low cost and low height capacitors and inductors. The constant frequency results in low, predictable output noise that is easy to filter.

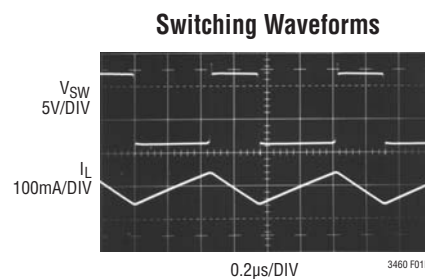
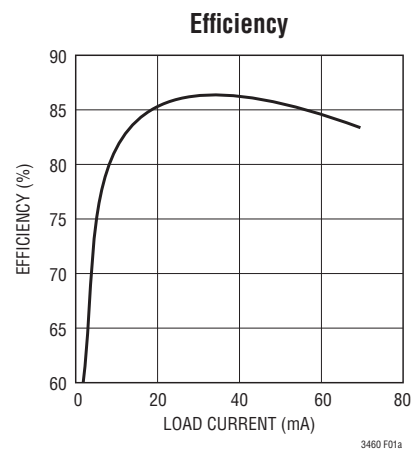
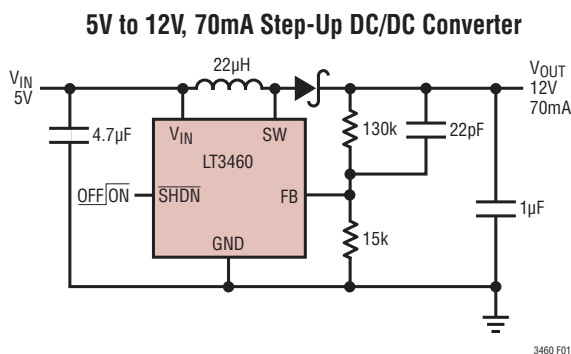
The high voltage switches in the LT3460/LT3460-1 are rated at 38V, making the device ideal for boost converters up to 36V. The LT3460 can generate 12V at up to 70mA from a 5V supply.

The low 1mA quiescent current and 650kHz switching frequency of LT3460-1 make it ideal for lower current applications.

The LT3460 is available in SC70 and SOT-23 packages. The LT3460-1 is available in SC70 and 2mm × 2mm DFN packages.

LT, LT, LTC and LTM are registered trademarks of Linear Technology Corporation. ThinSOT is a trademark of Linear Technology Corporation. All other trademarks are the property of their respective owners.

## TYPICAL APPLICATION

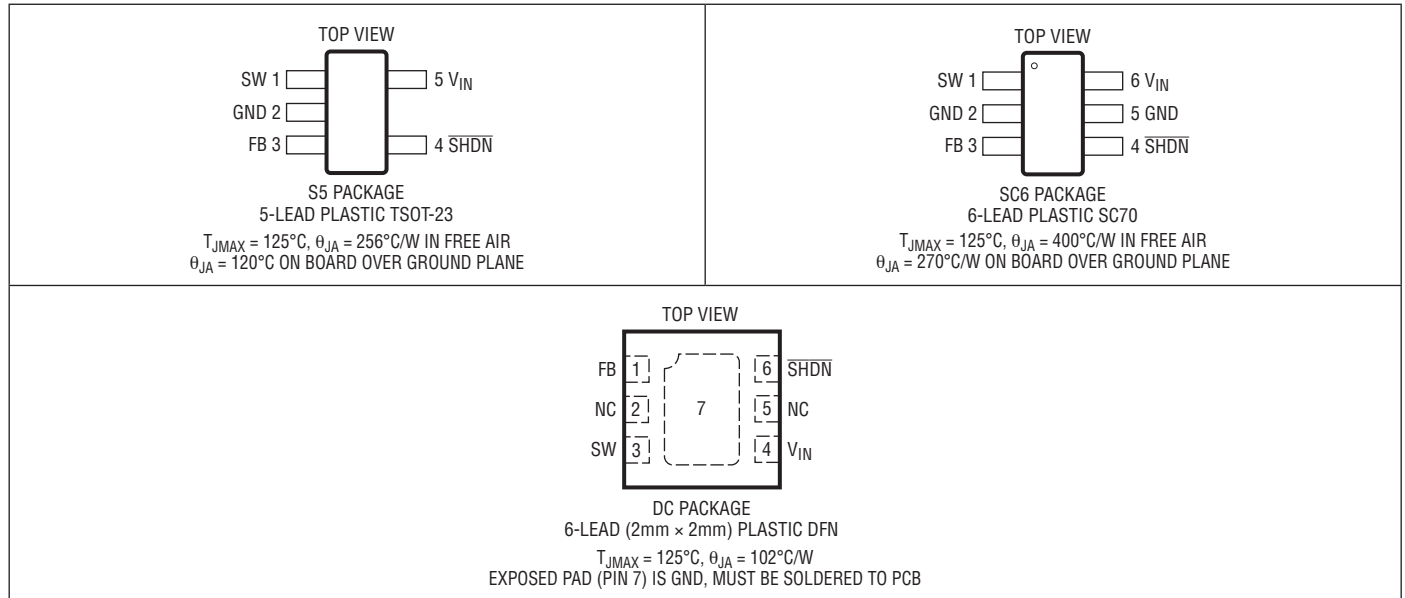


# LT3460/LT3460-1

## ABSOLUTE MAXIMUM RATINGS (Note 1)

Input Voltage ( $V_{IN}$ ) .....	16V	Operating Ambient	
SW Voltage .....	38V	Temperature Range (Note 2) .....	-40°C to 85°C
FB Voltage .....	5V	Maximum Junction Temperature .....	125°C
SHDN Voltage .....	16V	Storage Temperature Range .....	-65°C to 150°C
		Lead Temperature (Soldering, 10 sec) .....	300°C

## PIN CONFIGURATION



## ORDER INFORMATION

LEAD FREE FINISH	TAPE AND REEL	PART MARKING	PACKAGE DESCRIPTION	TEMPERATURE RANGE
LT3460ES5#PBF	LT3460ES5#TRPBF	LTB1	5-Lead Plastic TSOT-23	-40°C to 85°C
LT3460ESC6#PBF	LT3460ESC6#TRPBF	LAAF	6-Lead Plastic SC70	-40°C to 85°C
LT3460ESC6-1#PBF	LT3460ESC6-1#TRPBF	LDJV	6-Lead Plastic SC70	-40°C to 85°C
LT3460EDC-1#PBF	LT3460EDC-1#TRPBF	LDNB	6-Lead (2mm x 2mm) Plastic DFN	-40°C to 85°C

Consult LTC Marketing for parts specified with wider operating temperature ranges.  
Consult LTC Marketing for information on non-standard lead based finish parts.

For more information on lead free part marking, go to: <http://www.linear.com/leadfree/>  
For more information on tape and reel specifications, go to: <http://www.linear.com/tapeandreel/>

## ELECTRICAL CHARACTERISTICS

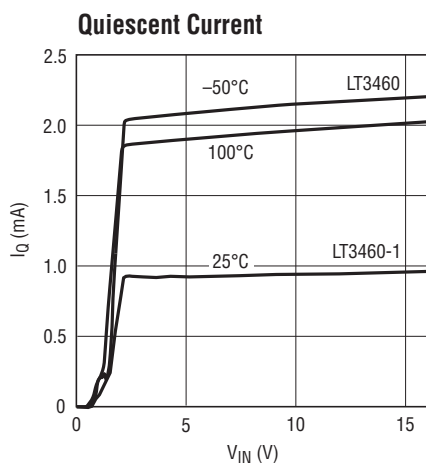
The ● denotes the specifications which apply over the full operating temperature range, otherwise specifications are at  $T_A = 25^\circ\text{C}$ ,  $V_{IN} = 3\text{V}$ ,  $V_{\overline{\text{SHDN}}} = 3\text{V}$ , unless otherwise noted.

PARAMETER	CONDITIONS	LT3460			LT3460-1			UNITS
		MIN	TYP	MAX	MIN	TYP	MAX	
Minimum Operating Voltage		2.5			2.5			V
Maximum Operating Voltage				16			16	V
Feedback Voltage		1.235	1.255	1.275	1.235	1.255	1.275	V
		1.225		1.280	1.225		1.280	V
Feedback Line Regulation	$2.5\text{V} < V_{IN} < 16\text{V}$		0.015			0.015		%/V
FB Pin Bias Current		● 5	25	80	0	25	80	nA
Supply Current			2.0	3.0		1.0	1.5	mA
	$\overline{\text{SHDN}} = 0\text{V}$		0.1	0.5		0.1	0.5	$\mu\text{A}$
Switching Frequency		1.0	1.3	1.7	0.35	0.65	1.0	MHz
Maximum Duty Cycle		85	90		80	90		%
Switch Current Limit		300	420	600	180	260	380	mA
Switch $V_{\text{CESAT}}$	$I_{\text{SW}} = 250\text{mA}$ (LT3460), $I_{\text{SW}} = 100\text{mA}$ (LT3460-1)		320	450		220	350	mV
Switch Leakage Current	$V_{\text{SW}} = 5\text{V}$		0.01	1		0.01	1	$\mu\text{A}$
$\overline{\text{SHDN}}$ Voltage High		1.5			1.5			V
$\overline{\text{SHDN}}$ Voltage Low				0.4			0.4	V
$\overline{\text{SHDN}}$ Pin Bias Current			40			15		$\mu\text{A}$

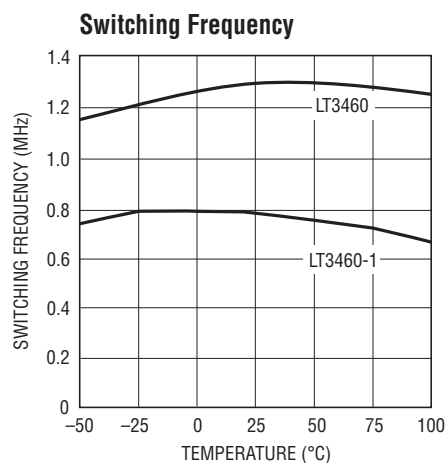
**Note 1:** Stresses beyond those listed under Absolute Maximum Ratings may cause permanent damage to the device. Exposure to any Absolute Maximum Rating condition for extended periods may affect device reliability and lifetime.

**Note 2:** The LT3460E/LT3460-1E is guaranteed to meet specifications from  $0^\circ\text{C}$  to  $70^\circ\text{C}$ . Specifications over the  $-40^\circ\text{C}$  to  $85^\circ\text{C}$  operating temperature range are assured by design, characterization and correlation with statistical process controls.

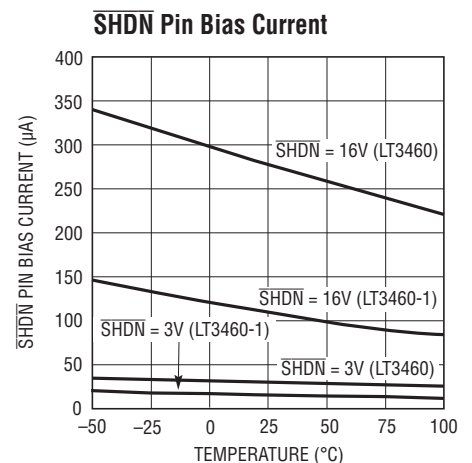
## TYPICAL PERFORMANCE CHARACTERISTICS



3460 G01

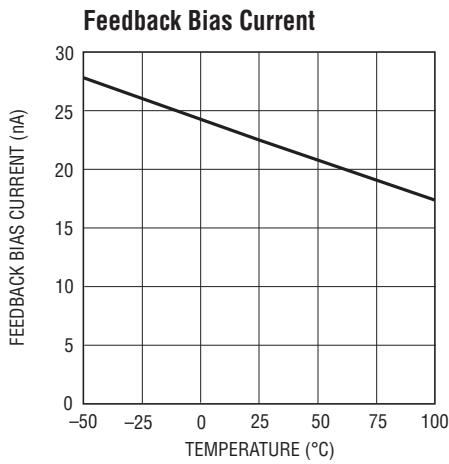


3460 G02

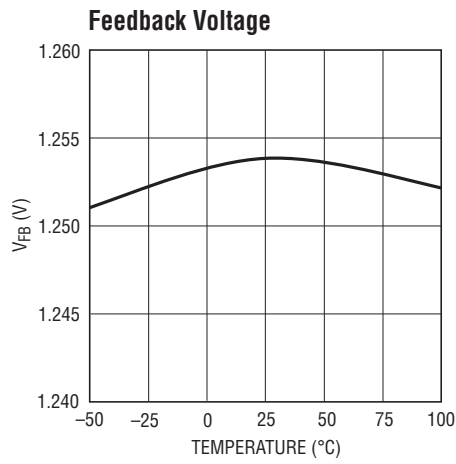


3460 G03

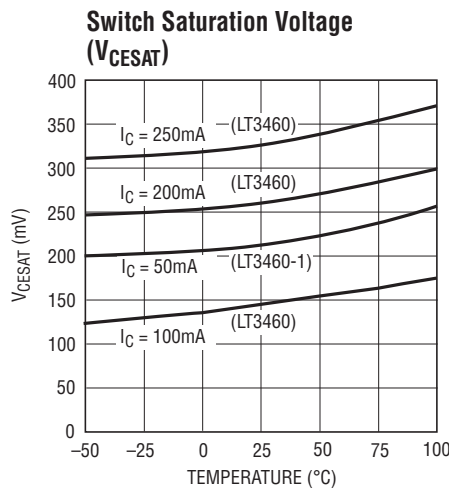
## TYPICAL PERFORMANCE CHARACTERISTICS



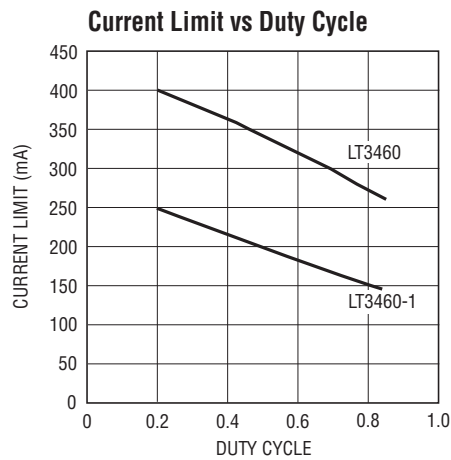
3460 G04



3460 G05



3460 G06



3460 G07

## PIN FUNCTIONS (ThinSOT/SC70/DFN Packages)

**SW (Pin 1/Pin 1/Pin 3):** Switch Pin. Connect inductor/diode here. Minimize trace at this pin to reduce EMI.

**GND (Pin 2/Pins 2 and 5/Exposed Pad Pin 7):** Ground Pin. Tie directly to local ground plane.

**FB (Pin 3/Pin 3/Pin 1):** Feedback Pin. Reference voltage is 1.255V. Connect resistor divider tap here. Minimize trace area at FB. Set  $V_{OUT}$  according to  $V_{OUT} = 1.255V (1 + R1/R2)$ .

**SHDN (Pin 4/Pin 4/Pin 6):** Shutdown Pin. Tie to 1.5V or higher to enable device; 0.4V or less to disable device. Also functions as soft-start. Use RC filter (47k, 47nF typ) as shown in Figure 1.

**V<sub>IN</sub> (Pin 5/Pin 6/Pin 4):** Input Supply Pin. Must be locally bypassed.

**NC (NA/NA/Pins 2, 5):** No-Connects. These pins are not connected to internal circuitry. They should be tied to ground to improve thermal and electrical performance.

## BLOCK DIAGRAM

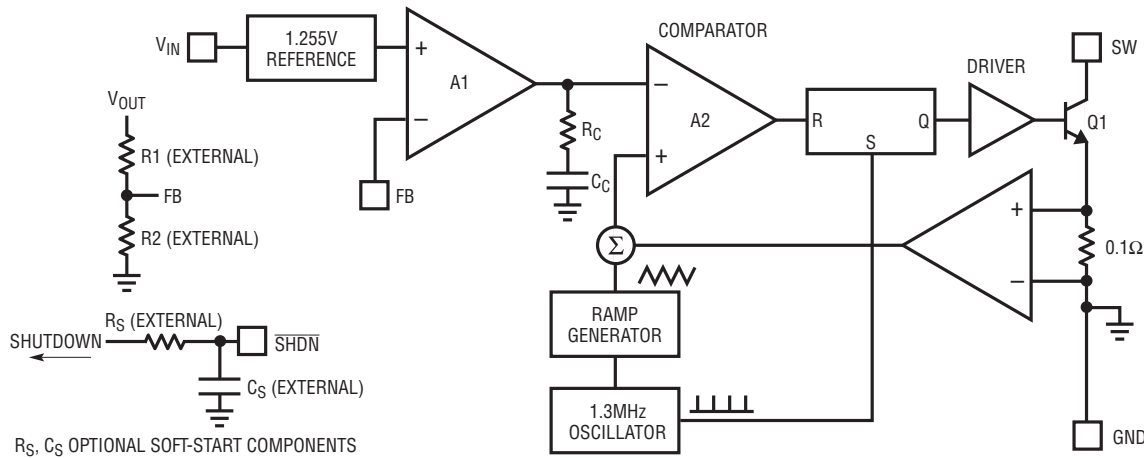


Figure 1. Block Diagram, LT3460

## OPERATION

The LT3460/LT3460-1 uses a constant frequency, current mode control scheme to provide excellent line and load regulation. Operation can be best understood by referring to the block diagram in Figure 1. At the start of each oscillator cycle, the SR latch is set, which turns on the power switch Q1. A voltage proportional to the switch current is added to a stabilizing ramp and the resulting sum is fed into the positive terminal of the PWM comparator A2. When this voltage exceeds the level at the negative input of A2, the SR latch is reset turning off the power switch. The level at the negative input of A2 is set by the error amplifier A1, and is simply an amplified version of the difference between the feedback voltage and the reference voltage of 1.255V. In this manner, the error amplifier sets the correct peak current level to keep the output in regulation. If the error amplifier's output increases, more current is delivered to the output; if it decreases, less current is delivered.

### Feedback Loop Compensation

The LT3460/LT3460-1 has an internal feedback compensation network as shown in Figure 1 ( $R_C$  and  $C_C$ ). However, because the small signal characteristics of a boost converter change with operation conditions, the internal compensation network cannot satisfy all applications. A properly designed external feed forward capacitor from  $V_{OUT}$  to

FB ( $C_F$  in Figure 2) will correct the loop compensation for most applications.

The LT3460/LT3460-1 uses peak current mode control. The current feedback makes the inductor very similar to a current source in the medium frequency range. The power stage transfer function in the medium frequency range can be approximated as:

$$G_{P(s)} = \frac{K1}{s \cdot C2},$$

where  $C2$  is the output capacitance, and  $K1$  is a constant based on the operating point of the converter. In continuous current mode,  $K1$  increases as the duty cycle decreases.

The internal compensation network  $R_C$ ,  $C_C$  can be approximated as follows in medium frequency range:

$$G_{C(s)} = K2 \cdot \frac{s \cdot R_C \cdot C_C + 1}{s \cdot C_C}$$

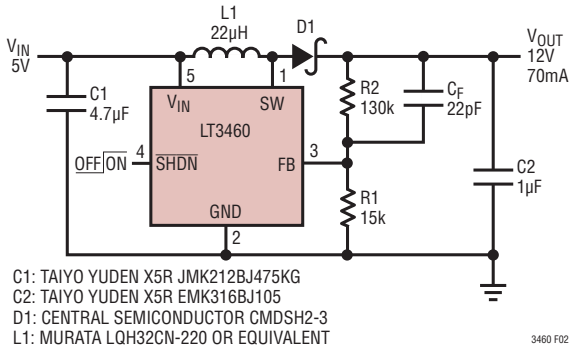
The zero

$$f_z = \frac{1}{2 \cdot \pi \cdot R_C \cdot C_C}$$

is about 70kHz.

3460 BD

## OPERATION



**Figure 2. 5V to 12V Step-Up Converter**

The feedback loop gain  $T(s) = K3 \cdot G_P(s) \cdot G_C(s)$ . If it crosses over 0dB far before  $f_z$ , the phase margin will be small. Figure 3 is the Bode plot of the feedback loop gain measured from the converter shown in Figure 2 without the feedforward capacitor  $C_F$ . The result agrees with the previous discussion: Phase margin of about  $20^\circ$  is insufficient.

In order to improve the phase margin, a feed-forward capacitor  $C_F$  in Figure 2 can be used.

Without the feed-forward capacitor, the transfer function from  $V_{OUT}$  to FB is:

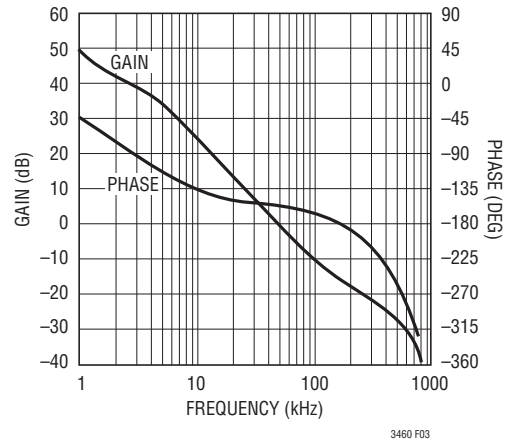
$$\frac{FB}{V_{OUT}} = \frac{R1}{R1+R2}$$

With the feed-forward capacitor  $C_F$ , the transfer function becomes:

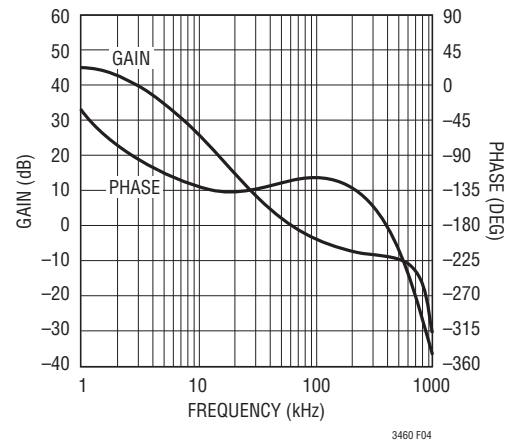
$$\frac{FB}{V_{OUT}} = \frac{R1}{R1+R2} \cdot \frac{s \cdot R2 \cdot C_F + 1}{s \cdot \frac{R1 \cdot R2}{R1+R2} \cdot C_F + 1}$$

The feed-forward capacitor  $C_F$  generates a zero and a pole. The zero always appears before the pole. The frequency distance between the zero and the pole is determined only by the ratio between  $V_{OUT}$  and FB. To give maximum phase margin,  $C_F$  should be chosen so that the midpoint frequency between the zero and the pole is at the cross over frequency.

With  $C_F = 20pF$ , the feedback loop Bode plot is reshaped as shown in Figure 4. The phase margin is about  $60^\circ$ .



**Figure 3**



**Figure 4**

The feed-forward capacitor increases the gain at high frequency. The feedback loop therefore needs to have enough attenuation at the switching frequency to reject the switching noise. Additional internal compensation components have taken this into consideration.

For most of the applications of LT3460/LT3460-1, the output capacitor ESR zero is at very high frequency and can be ignored. If a low frequency ESR zero exists, for example, when a high-ESR Tantalum capacitor is used at the output, the phase margin may be enough even without a feed-forward capacitor. In these cases, the feed-forward capacitor should not be added because it may cause the feedback loop to not have enough attenuation at the switching frequency.

# OPERATION

## Layout Hints

The high speed operation of the LT3460/LT3460-1 demands careful attention to board layout. You will not get advertised performance with careless layout. Figure 5 shows the recommended component placement.

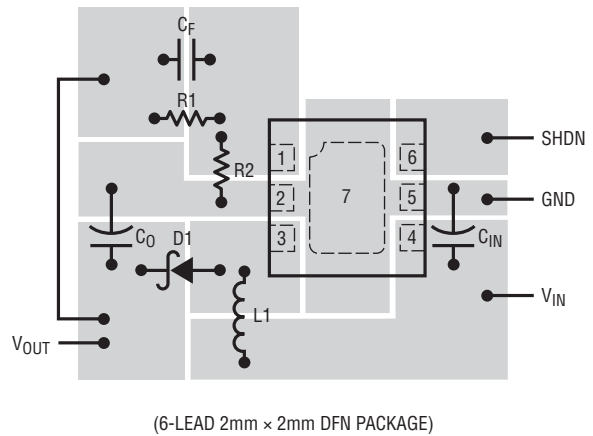
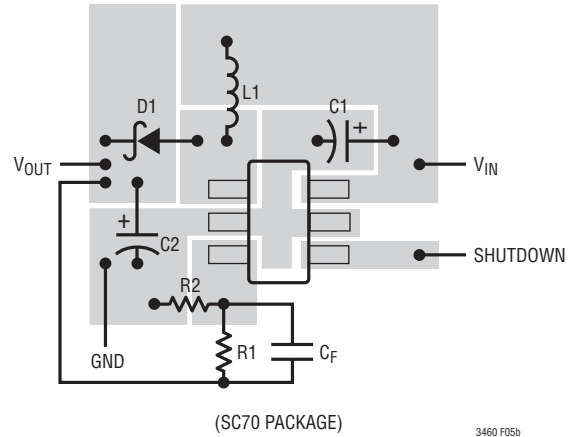
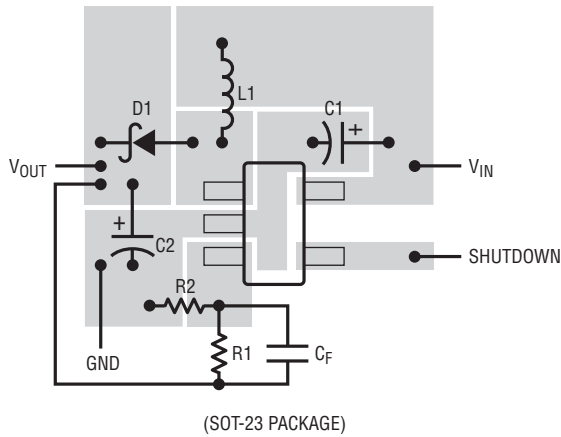
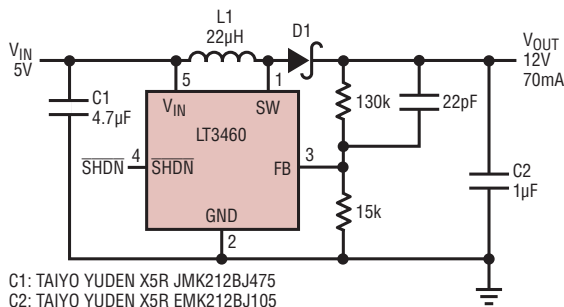


Figure 5

# TYPICAL APPLICATIONS

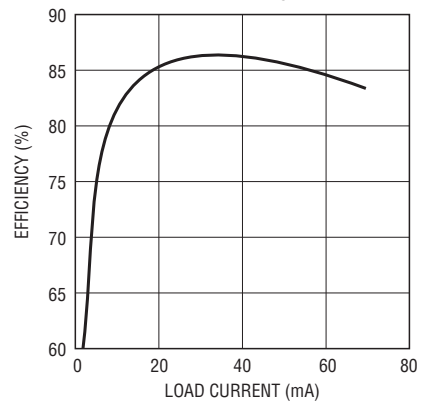
## 5V to 12V Step-Up Converter



- C1: TAIYO YUDEN X5R JMK212BJ475
- C2: TAIYO YUDEN X5R EMK212BJ105
- D1: CENTRAL SEMICONDUCTOR CMDSH2-3
- L1: MURATA LQH32CN-220 OR EQUIVALENT

3460 TA01

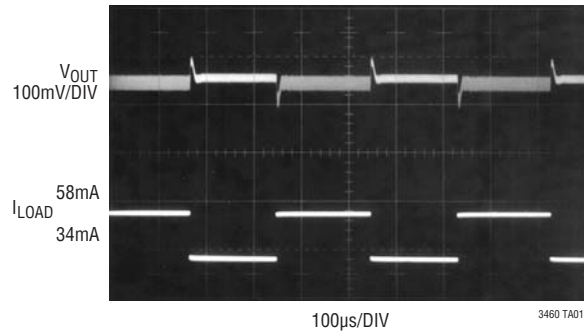
## Efficiency



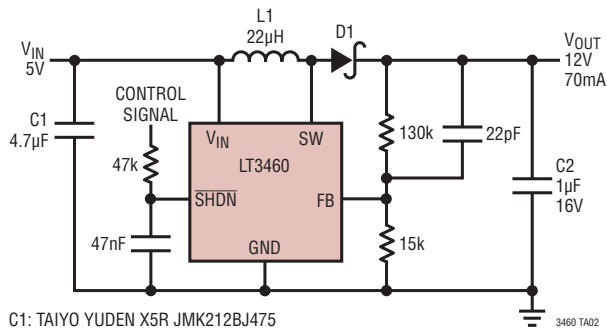
3460 TA01a

## TYPICAL APPLICATIONS

### Load Step Response

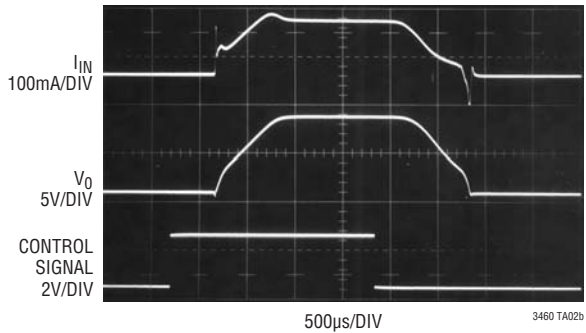


### 5V to 12V with Soft-Start Circuit

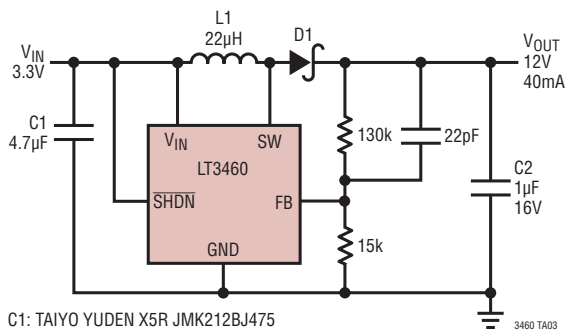


C1: TAIYO YUDEN X5R JMK212BJ475  
 C2: TAIYO YUDEN X5R EMK212BJ105  
 D1: CENTRAL SEMICONDUCTOR CMDSH2-3  
 L1: MURATA LQH32CN-220 OR EQUIVALENT

### Input Current and Output Voltage

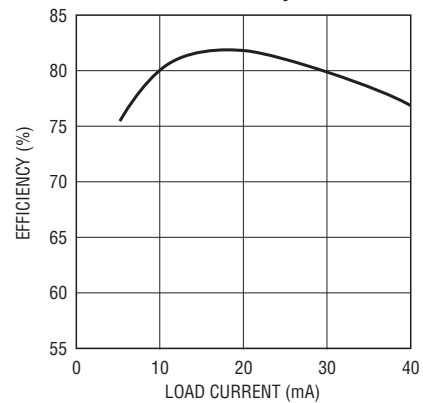


### 5V to 12V Step-Up Converter



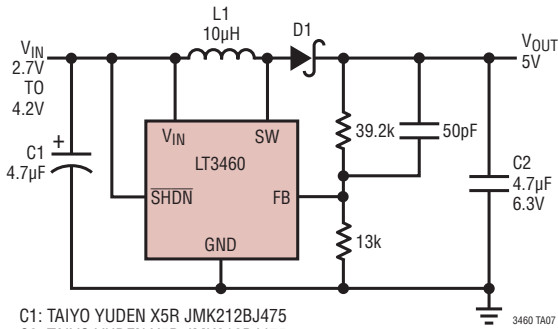
C1: TAIYO YUDEN X5R JMK212BJ475  
 C2: TAIYO YUDEN X5R EMK212BJ105  
 D1: CENTRAL SEMICONDUCTOR CMDSH2-3  
 L1: MURATA LQH32CN-220 OR EQUIVALENT

### Efficiency



# TYPICAL APPLICATIONS

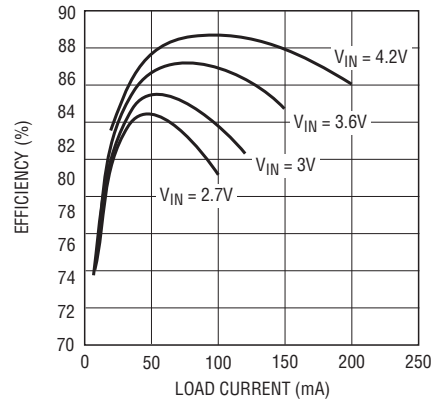
## 5V to 12V Step-Up Converter



- C1: TAIYO YUDEN X5R JMK212BJ475
- C2: TAIYO YUDEN X5R JMK212BJ475
- D1: PHILIPS PMEG2010
- L1: MURATA LQH32CN-100 OR EQUIVALENT

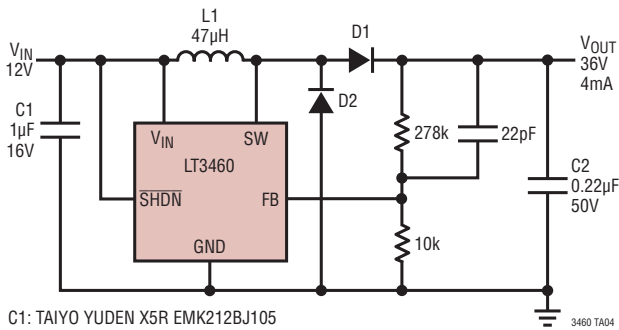
3460 TA07

## Efficiency



3460 TA07a

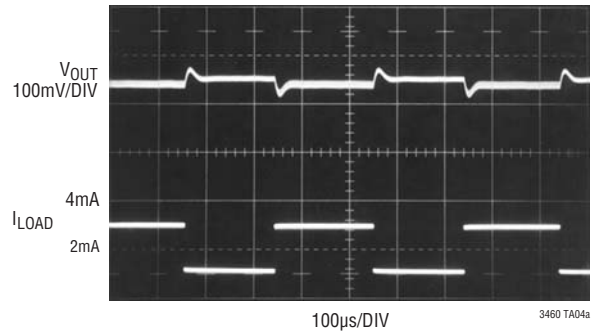
## 12V to 36V Step-Up Converter



- C1: TAIYO YUDEN X5R EMK212BJ105
- C2: TAIYO YUDEN X7R UMK212BJ224
- D1, D2: CENTRAL SEMICONDUCTOR CMOD4448
- L1: TAIYO YUDEN LB2012

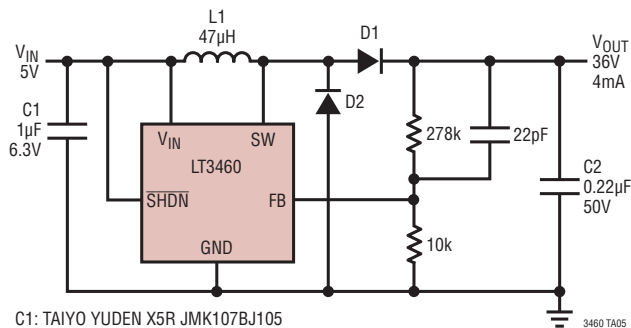
3460 TA04

## Load Step Response



3460 TA04a

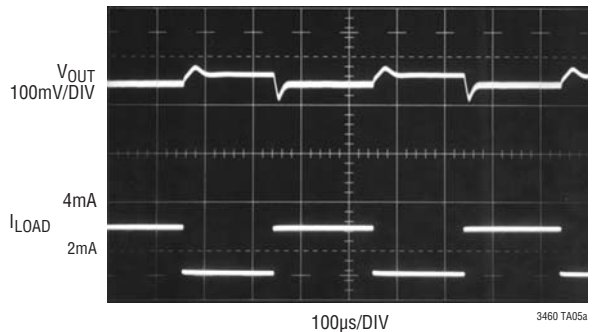
## 5V to 36V Step-Up Converter



- C1: TAIYO YUDEN X5R JMK107BJ105
- C2: TAIYO YUDEN X7R UMK212BJ224
- D1, D2: CENTRAL SEMICONDUCTOR CMOD4448
- L1: TAIYO YUDEN LB2012

3460 TA05

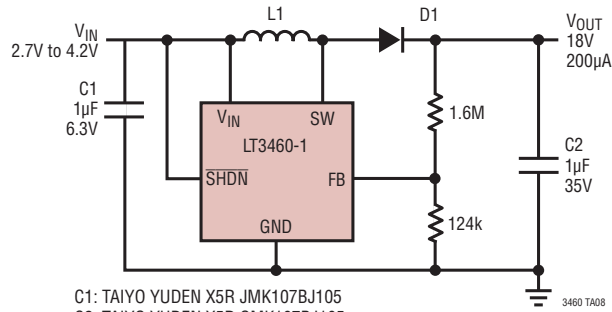
## Load Step Response



3460 TA05a

## APPLICATIONS INFORMATION

### Li-Ion to 18V Step-Up Converter

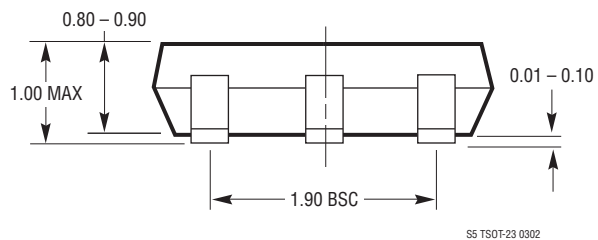
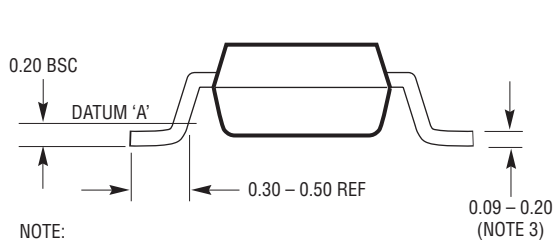
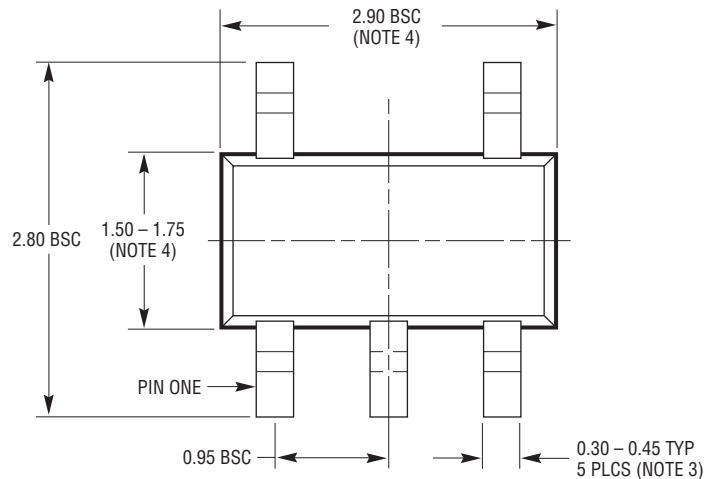
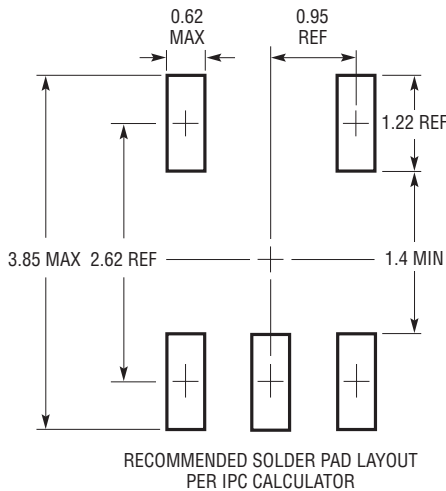


C1: TAIYO YUDEN X5R JMK107BJ105  
 C2: TAIYO YUDEN X5R GMK107BJ105  
 D1, D2: CENTRAL SEMICONDUCTOR CMDSH-3  
 L1: MURATA LQH31CN-220

## PACKAGE DESCRIPTION

### S5 Package 5-Lead Plastic TSOT-23

(Reference LTC DWG # 05-08-1635)



- NOTE:
1. DIMENSIONS ARE IN MILLIMETERS
  2. DRAWING NOT TO SCALE
  3. DIMENSIONS ARE INCLUSIVE OF PLATING
  4. DIMENSIONS ARE EXCLUSIVE OF MOLD FLASH AND METAL BURR
  5. MOLD FLASH SHALL NOT EXCEED 0.254mm
  6. JEDEC PACKAGE REFERENCE IS MO-193

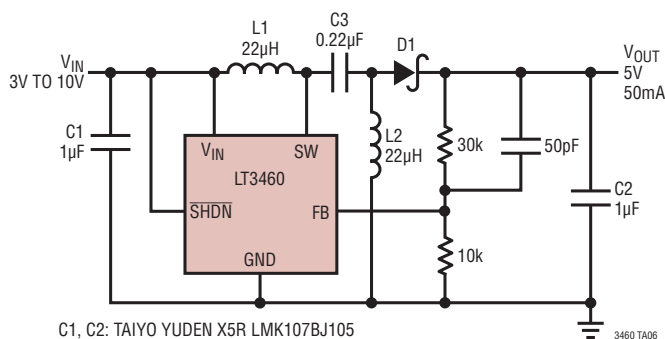
S5 TSOT-23 0302



# LT3460/LT3460-1

## TYPICAL APPLICATIONS

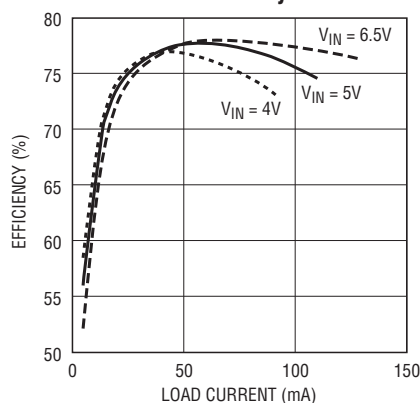
### 5V to 5V SEPIC



C1, C2: TAIYO YUDEN X5R LMK107BJ105  
 C3: TAIYO YUDEN X7R LMK107BJ224  
 D1: ON SEMICONDUCTOR MBR0520  
 L1, L2: MURATA LQH32CN-220 OR EQUIVALENT

3460 TA06

### Efficiency



3460 TA06a

## RELATED PARTS

PART NUMBER	DESCRIPTION	COMMENTS
LT1613	550mA ( $I_{SW}$ ), 1.4MHz, High Efficiency Step-Up DC/DC Converter	$V_{IN}$ : 0.9V to 10V, $V_{OUT(MAX)}$ = 34V, $I_Q$ = 3mA, $I_{SD}$ < 1µA, ThinSOT Package
LT1615/LT1615-1	300mA/80mA ( $I_{SW}$ ), Constant Off-Time, High Efficiency Step-Up DC/DC Converter	$V_{IN}$ : 1.2V to 15V, $V_{OUT(MAX)}$ = 34V, $I_Q$ = 20µA, $I_{SD}$ < 1µA, ThinSOT Package
LT1944/LT1944-1	Dual Output 350mA/100mA ( $I_{SW}$ ), Constant Off-Time, High Efficiency Step-Up DC/DC Converter	$V_{IN}$ : 1.2V to 15V, $V_{OUT(MAX)}$ = 34V, $I_Q$ = 20µA, $I_{SD}$ < 1µA, MS Package
LT1945	Dual Output, Pos/Neg, 350mA ( $I_{SW}$ ), Constant Off-Time, High Efficiency Step-Up DC/DC Converter	$V_{IN}$ : 1.2V to 15V, $V_{OUT(MAX)}$ = ±34V, $I_Q$ = 20µA, $I_{SD}$ < 1µA, MS Package
LT1961	1.5A ( $I_{SW}$ ), 1.25MHz, High Efficiency Step-Up DC/DC Converter	$V_{IN}$ : 3V to 25V, $V_{OUT(MAX)}$ = 35V, $I_Q$ = 0.9mA, $I_{SD}$ < 6µA, MS8E Package
LTC3400/LTC3400B	600mA ( $I_{SW}$ ), 1.2MHz, Synchronous Step-Up DC/DC Converter	$V_{IN}$ : 0.85V to 5V, $V_{OUT(MAX)}$ = 5V, $I_Q$ = 19µA/300µA, $I_{SD}$ < 1µA, ThinSOT Package
LTC3401/LTC3402	1A/2A ( $I_{SW}$ ), 3MHz, Synchronous Step-Up DC/DC Converter	$V_{IN}$ : 0.5V to 5V, $V_{OUT(MAX)}$ = 6V, $I_Q$ = 38µA, $I_{SD}$ < 1µA, MS Package
LT3461/LT3461A	0.3A ( $I_{SW}$ ), 1.3MHz/3MHz, High Efficiency Step-Up DC/DC Converter with Integrated Schottky	$V_{IN}$ : 2.5V to 16V, $V_{OUT(MAX)}$ = 38V, $I_Q$ = 2.8mA, $I_{SD}$ < 1µA, SC70, ThinSOT Packages
LT3464	0.08A ( $I_{SW}$ ), High Efficiency Step-Up DC/DC Converter with Integrated Schottky, Output Disconnect	$V_{IN}$ : 2.3V to 10V, $V_{OUT(MAX)}$ = 34V, $I_Q$ = 25µA, $I_{SD}$ < 1µA, ThinSOT Package
LT3465/LT3465A	Constant Current, 1.2MHz/2.7MHz, High Efficiency White LED Boost Regulator with Integrated Schottky Diode	$V_{IN}$ : 2.7V to 16V, $V_{OUT(MAX)}$ = 30V, $I_Q$ = 1.9mA, $I_{SD}$ < 1µA, ThinSOT Package

3460fb

## Looking for pricing, stock, or lifecycle information?

Click below to explore more details on WIN SOURCE:

- ⊖ [View LT3460EDC-1#TRMPBF on WIN SOURCE](#)
- ⊖ [Linear Technology Information](#)

## Optimize Your Supply Chain with WIN SOURCE Solutions

- ✓ Global Sourcing Solution
- ✓ Obsolete Management
- ✓ Cost Control Management
- ✓ Shortage Management
- ✓ Alternative Solution
- ✓ Excess Inventory Management