



## Dual Output PolyPhase Step-Down DC/DC Controller with Digital Power System Management

### FEATURES

- **PMBus/I<sup>2</sup>C Compliant Serial Interface**
  - Telemetry Read Back includes  $V_{IN}$ ,  $I_{IN}$ ,  $V_{OUT}$ ,  $I_{OUT}$ , Temperature and Faults
  - Programmable Voltage, Current Limit, Digital Soft-Start/Stop, Sequencing, Margining, OV/UV and Frequency Synchronization (250kHz to 1MHz)
- $\pm 0.5\%$  Output Voltage Accuracy Over Temperature
- Integrated 16-Bit ADC
- Internal EEPROM with ECC and Fault Logging
- Integrated Powerful N-Channel MOSFET Gate Drivers

### Power Conversion

- Wide  $V_{IN}$  Range: 4.5V to 24V
- $V_{OUT}$  Range: 0.5V to 5.4V (4V on  $V_{OUT0}$ )
- Analog Current Mode Control Loop
- Supports Power-Up Into Pre-Biased Load
- Accurate PolyPhase<sup>®</sup> Current Sharing for Up to 6 Phases
- Available in a 40-Pin (6mm × 6mm) QFN Package

### APPLICATIONS

- High Current Distributed Power Systems
- Telecom, Datacom and Storage Systems
- Intelligent Energy Efficient Power Regulation

### DESCRIPTION

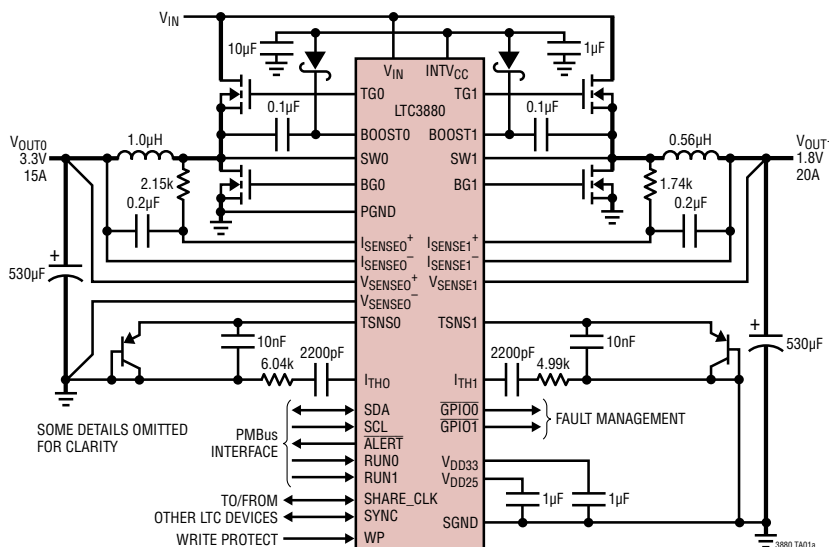
The **LTC<sup>®</sup>3880/LTC3880-1** are dual, PolyPhase DC/DC synchronous step-down switching regulator controllers with an I<sup>2</sup>C-based **PMBus compliant serial interface**. The controllers use a constant frequency, current mode architecture that is supported by **LTpowerPlay<sup>™</sup>** software development tool with graphical user interface (GUI).

Switching frequency, output voltage, and device address can be programmed using external configuration resistors. Parameters can be set via the digital interface or stored in EEPROM. Voltage, current, internal/external temperature and fault status can be read back through the bus interface. The LTC3880 incorporates a 5V linear regulator while the LTC3880-1 uses an external 5V supply for minimum power loss. See comparison to LTC3887 below.

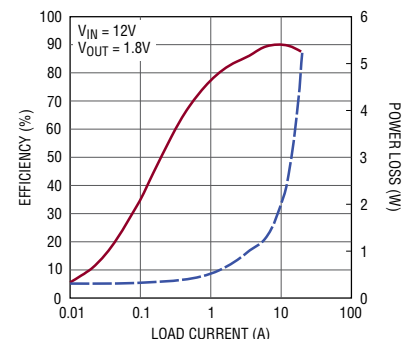
	<b>V<sub>OUT</sub> Start-Up Time</b>	<b>Max V<sub>OUT0/1</sub></b>	<b>Fast ADC Mode for 1 Parameter</b>
LTC3887/LTC3887-1	35ms	5.5V/5.5V	Yes
LTC3880/LTC3880-1	120ms	4V/5.4V	No

LT, LT, LTC, LTM, PolyPhase, Burst Mode,  $\mu$ Module, Linear Technology and the Linear logo are registered trademarks and No R<sub>SENSE</sub> and LTpowerPlay are trademarks of Analog Devices, Inc. All other trademarks are the property of their respective owners. Protected by U.S. Patents including 5481178, 5705919, 5929620, 6144194, 6177787, 6580258, 5408150, 7420359. Licensed under U.S. Patent 7000125 and other related patents worldwide.

### TYPICAL APPLICATION



**Efficiency and Power Loss vs Load Current**



## TABLE OF CONTENTS

<b>Features</b> .....	<b>1</b>	Responses to Timing Faults.....	27
<b>Applications</b> .....	<b>1</b>	Responses to $V_{IN}$ OV Faults.....	27
<b>Typical Application</b> .....	<b>1</b>	Responses to OT/UT Faults.....	27
<b>Description</b> .....	<b>1</b>	Overtemperature Fault Response—Internal .....	27
<b>Table of Contents</b> .....	<b>2</b>	Overtemperature and Undertemperature	
<b>Absolute Maximum Ratings</b> .....	<b>4</b>	Fault Response—Externals .....	27
<b>Pin Configuration</b> .....	<b>4</b>	Responses to External Faults .....	27
<b>Order Information</b> .....	<b>4</b>	Bus Timeout Failure .....	28
<b>Electrical Characteristics</b> .....	<b>5</b>	Similarity Between PMBus, SMBus and I <sup>2</sup> C	
<b>Typical Performance Characteristics</b> .....	<b>10</b>	2-Wire Interface.....	28
<b>Pin Functions</b> .....	<b>13</b>	PMBus Serial Digital Interface .....	28
<b>Block Diagram</b> .....	<b>15</b>	<b>PMBus Command Summary</b> .....	<b>32</b>
<b>Operation</b> .....	<b>16</b>	PMBus Commands.....	32
Overview.....	16	*Data Format .....	37
Main Control Loop .....	16	<b>Applications Information</b> .....	<b>38</b>
EEPROM .....	17	Current Limit Programming .....	38
Power Up and Initialization .....	18	I <sub>SENSE</sub> <sup>+</sup> and I <sub>SENSE</sub> <sup>-</sup> Pins.....	38
Soft-Start.....	18	Low Value Resistor Current Sensing.....	39
Sequencing .....	19	Inductor DCR Current Sensing.....	40
Voltage-Based Sequencing .....	19	Slope Compensation and Inductor Peak Current ...	41
Shutdown .....	19	Inductor Value Calculation .....	41
Light Load Current Operation .....	20	Inductor Core Selection .....	42
Switching Frequency and Phase .....	20	Power MOSFET and Schottky Diode (Optional)	
Output Voltage Sensing .....	21	Selection.....	42
Current Sensing.....	21	Variable Delay Time, Soft-Start and Output Voltage	
Load Sharing .....	22	Ramping .....	43
External/Internal Temperature Sense.....	22	Digital Servo Mode .....	44
RCONFIG (Resistor Configuration) Pins.....	23	Soft Off (Sequenced Off) .....	44
Fault Detection and Handling .....	23	INTV <sub>CC</sub> Regulator.....	45
Internal Memory with CRC and ECC .....	24	Topside MOSFET Driver Supply (C <sub>B</sub> , D <sub>B</sub> ) .....	46
Serial Interface .....	25	Undervoltage Lockout.....	46
Communication Failure .....	25	C <sub>IN</sub> and C <sub>OUT</sub> Selection .....	46
Device Addressing .....	25	Fault Conditions.....	47
Responses to V <sub>OUT</sub> and I <sub>OUT</sub> Faults .....	26	Open-Drain Pins .....	48
Output Overvoltage Fault Response .....	26	Phase-Locked Loop and Frequency	
Output Undervoltage Response .....	26	Synchronization.....	48
Peak Output Overcurrent Fault Response .....	26	Minimum On-Time Considerations.....	49

## TABLE OF CONTENTS

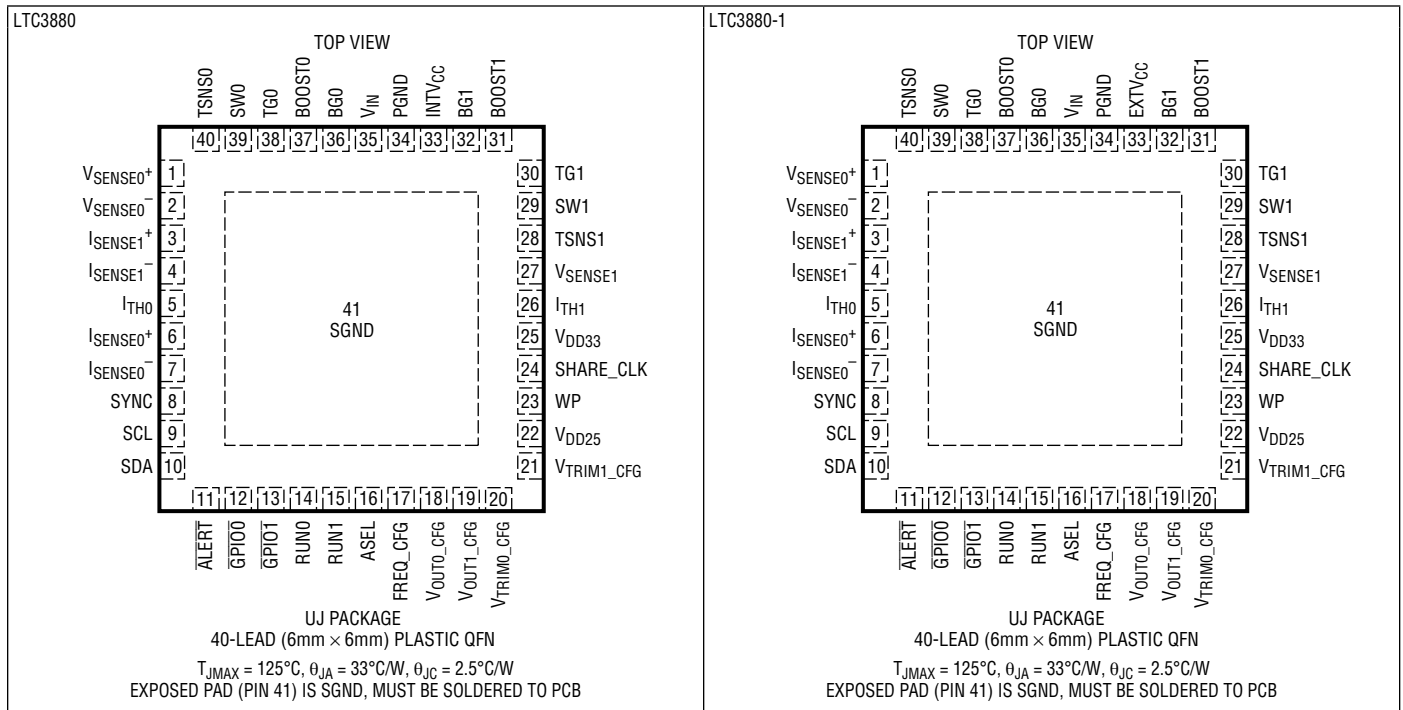
RCONFIG (External Resistor Configuration Pins).....	49	Temperature.....	76
Voltage Selection.....	49	External Temperature Calibration.....	76
Frequency and Phase Selection Using RCONFIG .....	50	External Temperature Limits.....	77
Address Selection Using RCONFIG.....	51	Timing .....	78
Efficiency Considerations .....	52	Timing—On Sequence/Ramp.....	78
Checking Transient Response.....	53	Timing—Off Sequence/Ramp .....	79
PC Board Layout Checklist .....	54	Precondition for Restart .....	79
PC Board Layout Debugging.....	56	Fault Response .....	80
Design Example.....	57	Fault Responses All Faults.....	80
Connecting the USB to the I <sup>2</sup> C/SMBus/PMBus Controller to the LTC3880 In System.....	59	Fault Responses Input Voltage .....	80
LTpowerPlay: An Interactive GUI for Digital Power .....	60	Fault Responses Output Voltage.....	81
PMBus Communication and Command Processing.....	61	Fault Responses Output Current.....	84
<b>PMBus Command Details .....</b>	<b>63</b>	Fault Responses IC Temperature .....	85
Addressing and Write Protect.....	63	Fault Responses External Temperature.....	86
General Configuration Registers .....	65	Fault Sharing.....	87
On/Off/Margin .....	66	Fault Sharing Propagation .....	87
PWM Config .....	68	Fault Sharing Response.....	88
Voltage.....	70	Scratchpad .....	89
Input Voltage and Limits.....	70	Identification.....	90
Output Voltage and Limits .....	71	Fault Warning and Status.....	91
Current.....	74	Telemetry.....	98
Input Current Calibration .....	74	NVM Memory Commands .....	101
Output Current Calibration .....	74	Store/Restore .....	101
Input Current.....	74	Fault Log Operation .....	102
Output Current.....	75	Fault Logging.....	102
		Block Memory Write/Read.....	107
		<b>Typical Applications .....</b>	<b>109</b>
		<b>Package Description .....</b>	<b>114</b>
		<b>Revision History .....</b>	<b>115</b>
		<b>Typical Application .....</b>	<b>116</b>
		<b>Related Parts .....</b>	<b>116</b>

# LTC3880/LTC3880-1

## ABSOLUTE MAXIMUM RATINGS (Note 1)

$V_{IN}$ Voltage.....	-0.3V to 28V	FREQ_CFG, $V_{OUTn\_CFG}$ , $V_{TRIMn\_CFG}$ ,
Topside Driver Voltages		ASEL, $V_{DD25}$ .....
BOOST1, BOOST0.....	-0.3V to 34V	$V_{DD33}$ , GPIO0, GPIO1, TSNS0, TSNS1, $V_{SENSE0^-}$ ,
Switch Voltage (SW1, SW0).....	-5V to 28V	SHARE_CLK, WP, SYNC, ITH $n$ .....
EXTV <sub>CC</sub> , INTV <sub>CC</sub> , (BOOST1 – SW1),		INTV <sub>CC</sub> Peak Output Current.....
(BOOST0 – SW0).....	-0.3V to 6V	Operating Junction Temperature Range
$V_{SENSE0^+}$ , $V_{SENSE1}$ , $I_{SENSE0n}$ , $I_{SENSE1n}$ .....	-0.3V to 6V	(Note 2).....
RUN0, RUN1, SDA, SCL, ALERT.....	-0.3V to 5.5V	Storage Temperature Range.....
		*See Derating EEPROM Retention at Temperature in Applications Information section for junction temperatures in excess of 125°C.

## PIN CONFIGURATION



## ORDER INFORMATION <http://www.linear.com/product/LTC3880#orderinfo>

LEAD FREE FINISH	TAPE AND REEL	PART MARKING*	PACKAGE DESCRIPTION	JUNCTION TEMPERATURE RANGE
LTC3880EUJ#PBF	LTC3880EUJ#TRPBF	LTC3880UJ	40-Lead (6mm × 6mm) Plastic QFN	-40°C to 105°C
LTC3880IUJ#PBF	LTC3880IUJ#TRPBF	LTC3880UJ	40-Lead (6mm × 6mm) Plastic QFN	-40°C to 125°C
LTC3880EUJ-1#PBF	LTC3880EUJ-1#TRPBF	LTC3880UJ-1	40-Lead (6mm × 6mm) Plastic QFN	-40°C to 105°C
LTC3880IUJ-1#PBF	LTC3880IUJ-1#TRPBF	LTC3880UJ-1	40-Lead (6mm × 6mm) Plastic QFN	-40°C to 125°C

Consult LTC Marketing for parts specified with wider operating temperature ranges. \*The temperature grade is identified by a label on the shipping container.

For more information on lead free part marking, go to: <http://www.linear.com/leadfree/>

For more information on tape and reel specifications, go to: <http://www.linear.com/tapeandree/>. Some packages are available in 500 unit reels through designated sales channels with #TRMPBF suffix.

3880fg

**ELECTRICAL CHARACTERISTICS** The ● denotes the specifications which apply over the specified operating junction temperature range, otherwise specifications are at  $T_A = 25^\circ\text{C}$ . (Note 2)  $V_{IN} = 12\text{V}$ ,  $V_{RUN0,1} = 3.3\text{V}$ ,  $f_{SYNC} = 500\text{kHz}$  (externally driven) unless otherwise specified.

SYMBOL	PARAMETER	CONDITIONS		MIN	TYP	MAX	UNITS
<b>Input Voltage</b>							
$V_{IN}$	Input Voltage Range	(Note 12)	●	4.5		24	V
$I_Q$	Input Voltage Supply Current Normal Operation	(Note 14) $V_{RUN0,1} = 3.3\text{V}$ , No Caps on TG and BG $V_{RUN0,1} = 0\text{V}$			25 20		mA mA
$V_{UVLO}$	Undervoltage Lockout Threshold when $V_{IN} > 4.3\text{V}$	$V_{INTVCC}/V_{EXTVCC}$ Falling $V_{INTVCC}/V_{EXTVCC}$ Rising			3.7 3.95		V V
$t_{INIT}$	Initialization Time	Time from $V_{IN}$ Applied Until the TON_DELAY Timer Starts			120		ms
<b>Control Loop</b>							
$V_{OUT1R0}$	Full-Scale Voltage Range 0 Set Point Accuracy (0.6V to 5V) Resolution LSB Step Size	$V_{OUT\_COMMAND}(1) = 5.500\text{V}$ (Note 9)	● ●	5.4 -0.5		5.6 0.5	V % Bits mV
$V_{OUT1R1}$	Full-Scale Voltage Range 1 Set Point Accuracy (0.6V to 2.5V) Resolution LSB Step Size	$V_{OUT\_COMMAND}(1) = 2.75\text{V}$ (Note 9)	● ●	2.7 -0.5		2.8 0.5	V % Bits mV
$V_{OUT0R0}$	Full-Scale Voltage Range 0 Set Point Accuracy (0.6V to 4.096V) Resolution LSB Step Size	$V_{OUT\_COMMAND}(0) = 4.095\text{V}$ (Note 9)	● ●	4.0 -0.5		4.2 0.5	V % Bits mV
$V_{OUT0R1}$	Full-Scale Voltage Range 1 Set Point Accuracy (0.6V to 2.5V) Resolution LSB Step Size	$V_{OUT\_COMMAND}(0) = 2.75\text{V}$ (Note 9)	● ●	2.7 -0.5		2.8 0.5	V % Bits mV
$V_{LINEREG}$	Line Regulation	$6\text{V} < V_{IN} < 24\text{V}$	●			$\pm 0.02$	%/V
$V_{LOADREG}$	Load Regulation	$\Delta V_{ITH} = 1.35\text{V} - 0.7\text{V}$ $\Delta V_{ITH} = 1.35\text{V} - 2.0\text{V}$	● ●		0.01 -0.01	0.1 -0.1	% %
$g_{m0,1}$	Error Amplifier $g_m$	$I_{TH0,1} = 1.22\text{V}$			3		mmho
$I_{SENSE0,1}$	Input Current	$V_{SENSE} = 5.5\text{V}$	●		$\pm 1$	$\pm 3$	$\mu\text{A}$
$V_{SENSEIN0}$	$V_{SENSE}$ Input Resistance to Ground	$0\text{V} \leq V_{PIN} \leq 5.5\text{V}$			41		$\text{k}\Omega$
$V_{SENSEIN1}$	$V_{SENSE}$ Input Resistance to Ground	$0\text{V} \leq V_{PIN} \leq 5.5\text{V}$			37		$\text{k}\Omega$
$V_{IILIMIT}$	Resolution				3		bits
	$V_{IILIMMAX}$	Hi Range Lo Range	● ●	68 44	75 50	82 56	mV mV
	$V_{IILIMMIN}$	Hi Range Lo Range			37.5 25		mV mV
<b>Gate Drivers</b>							
TG0,1 $t_r$ $t_f$	TG Transition Time: Rise Time Fall Time	(Note 4) $C_{LOAD} = 3300\text{pF}$ $C_{LOAD} = 3300\text{pF}$			30 30		ns ns
BG0,1 $t_r$ $t_f$	BG Transition Time: Rise Time Fall Time	(Note 4) $C_{LOAD} = 3300\text{pF}$ $C_{LOAD} = 3300\text{pF}$			30 30		ns ns
TG/BG $t_{1D}$	Top Gate Off to Bottom Gate On Delay Time	(Note 4) $C_{LOAD} = 3300\text{pF}$ Each Driver			30		ns
BG/TG $t_{2D}$	Bottom Gate Off to Top Gate On Delay Time	(Note 4) $C_{LOAD} = 3300\text{pF}$ Each Driver			30		ns
$t_{ON(MIN)}$	Minimum On-Time				90		ns

# LTC3880/LTC3880-1

**ELECTRICAL CHARACTERISTICS** The ● denotes the specifications which apply over the specified operating junction temperature range, otherwise specifications are at  $T_A = 25^\circ\text{C}$ . (Note 2)  $V_{IN} = 12\text{V}$ ,  $V_{RUN0,1} = 3.3\text{V}$ ,  $f_{SYNC} = 500\text{kHz}$  (externally driven) unless otherwise specified.

SYMBOL	PARAMETER	CONDITIONS	MIN	TYP	MAX	UNITS
<b>OV/UV Output Voltage Supervisor Channel 0</b>						
N	Resolution			8		Bits
$V_{0RANGE0}$	Voltage Monitoring Range	Range Value = 0	1		4.096	V
$V_{0RANGE1}$	Voltage Monitoring Range	Range Value = 1	0.5		2.7	V
$V_{0OUSTP0}$	Threshold Programming Step	Range Value = 0		22		mV
$V_{0OUSTP1}$	Threshold Programming Step	Range Value = 1		11		mV
$V_{0THACC0}$	Threshold Accuracy $2\text{V} < V_{OUT0} < 4\text{V}$	Range Value = 0	●		$\pm 2$	%
$V_{0THACC1}$	Threshold Accuracy $1\text{V} < V_{OUT0} < 2.5\text{V}$	Range Value = 1	●		$\pm 2$	%
$t_{PROPOV0}$	OV Comparator to $\overline{\text{GPIO}}$ Low Time	$V_{OD} = 10\%$ of Threshold			35	$\mu\text{s}$
$t_{PROPUV0}$	UV Comparator to $\overline{\text{GPIO}}$ Low Time	$V_{OD} = 10\%$ of Threshold			100	$\mu\text{s}$

<b>OV/UV Output Voltage Supervisor Channel 1</b>						
N	Resolution			8		bits
$V_{1RANGE0}$	Voltage Range	Range Value = 0	1		5.5	V
$V_{1RANGE1}$	Voltage Range	Range Value = 1	0.5		2.7	V
$V_{1OUSTP0}$	Step Size	Range Value = 0		22		mV
$V_{1OUSTP1}$	Step Size	Range Value = 1		11		mV
$V_{1THACC0}$	Threshold Accuracy $2\text{V} < V_{OUT1} < 5\text{V}$	Range Value = 0	●		$\pm 2$	%
$V_{1THACC1}$	Threshold Accuracy $1\text{V} < V_{OUT1} < 2.5\text{V}$	Range Value = 1	●		$\pm 2$	%
$t_{PROPOV1}$	OV Comparator to $\overline{\text{GPIO}}$ Low Time	$V_{OD} = 10\%$ of Threshold			35	$\mu\text{s}$
$t_{PROPUV1}$	UV Comparator to $\overline{\text{GPIO}}$ Low Time	$V_{OD} = 10\%$ of Threshold			100	$\mu\text{s}$

<b><math>V_{IN}</math> Voltage Supervisor</b>						
N	Resolution			8		bits
$V_{INRANGE}$	Full-Scale Voltage		4.5		20	V
$V_{INSTP}$	Step Size			82		mV
$V_{INTHACC}$	Threshold Accuracy $9.0\text{V} < V_{IN} < 20\text{V}$		●		$\pm 2.5$	%
$V_{INTHACCM}$	Threshold Accuracy $4.5\text{V} < V_{IN} \leq 9\text{V}$		●		$\pm 5$	%
$t_{PROPVIN}$	Comparator Response Time ( $V_{IN\_ON}$ and $V_{IN\_OFF}$ )	$V_{OD} = 10\%$ of Threshold			100	$\mu\text{s}$

<b>Output Voltage Readback</b>						
N	Resolution LSB Step Size			16 244		Bits $\mu\text{V}$
$V_{OFS}$	Full-Scale Voltage	(Note 10) $V_{RUNn} = 0\text{V}$ (Note 8)		8		V
$V_{OUT\_TUE}$	Total Unadjusted Error	(Note 8) $V_{OUTn} > 0.6\text{V}$	●		0.5	%
$V_{OS}$	Zero-Code Offset Voltage				$\pm 500$	$\mu\text{V}$
$t_{CONVERT}$	Conversion Time	(Note 6)		90		ms

**ELECTRICAL CHARACTERISTICS** The ● denotes the specifications which apply over the specified operating junction temperature range, otherwise specifications are at  $T_A = 25^\circ\text{C}$ . (Note 2)  $V_{IN} = 12\text{V}$ ,  $V_{RUN0,1} = 3.3\text{V}$ ,  $f_{SYNC} = 500\text{kHz}$  (externally driven) unless otherwise specified.

SYMBOL	PARAMETER	CONDITIONS	MIN	TYP	MAX	UNITS	
<b><math>V_{IN}</math> Voltage Readback</b>							
N	Resolution	(Note 5)		10		Bits	
$V_{IFS}$	Full-Scale Voltage	(Note 11)		38.91		V	
$V_{IN\_TUE}$	Total Unadjusted Error	$V_{IN} > 4.5\text{V}$ (Note 8)	●		0.5 2	% %	
$t_{CONVERT}$	Conversion Time	(Note 6)		90		ms	
<b>Output Current Readback</b>							
N	Resolution LSB Step Size	(Note 5) $0\text{V} \leq  V_{ISENSE^+} - V_{ISENSE^-}  < 16\text{mV}$ $16\text{mV} \leq  V_{ISENSE^+} - V_{ISENSE^-}  < 32\text{mV}$ $32\text{mV} \leq  V_{ISENSE^+} - V_{ISENSE^-}  < 63.9\text{mV}$ $63.9\text{mV} \leq  V_{ISENSE^+} - V_{ISENSE^-}  < 127.9\text{mV}$		10 15.625 31.25 62.5 125		Bits $\mu\text{V}$ $\mu\text{V}$ $\mu\text{V}$ $\mu\text{V}$	
$I_{FS}$	Full-Scale Current	(Note 7) $R_{ISENSE} = 1\text{m}\Omega$		$\pm 128$		A	
$I_{OUT\_TUE}$	Total Unadjusted Error	(Note 8) $V_{ISENSE} > 6\text{mV}$ (Note 15)	●		$\pm 1$	%	
$V_{OS}$	Zero-Code Offset Voltage				$\pm 28$	$\mu\text{V}$	
$t_{CONVERT}$	Conversion Time	(Note 6)		90		ms	
<b>Input Current and Duty Cycle Readback</b>							
D_RES	Resolution			10		Bits	
D_TUE	Total Unadjusted Error	16.3% Duty Cycle		-3	3	%	
$t_{CONVERT}$	Update Rate	(Note 6)		90		ms	
<b>Temperature Readback (<math>T_0</math>, <math>T_1</math>, <math>T_2</math>)</b>							
$T_{RES\_T}$	Resolution			0.25		$^\circ\text{C}$	
$T_{0,1\_TUE}$	External TSNS TUE	$\Delta V_{TSNS} = 72\text{mV}$ (Note 8)	●		$\pm 3$	$^\circ\text{C}$	
$T_{2\_TUE}$	Internal TSNS TUE	$V_{RUN0,1} = 0.0\text{V}$ , $f_{SYNC} = 0\text{kHz}$ (Note 8)		$\pm 1$		$^\circ\text{C}$	
$t_{CONVERT\_T}$	Update Rate	(Note 6)		90		ms	
<b>INTV<sub>CC</sub> Regulator</b>							
$V_{INTVCC}$	Internal $V_{CC}$ Voltage No Load (LTC3880)	$6\text{V} < V_{IN} < 24\text{V}$		4.8	5	5.2	V
$V_{LDO\_INT}$	INTV <sub>CC</sub> Load Regulation (LTC3880)	$I_{CC} = 0\text{mA}$ to $50\text{mA}$		0.5	$\pm 2$	%	
<b>V<sub>DD33</sub> Regulator</b>							
$V_{DD33}$	Internal $V_{DD33}$ Voltage	$4.5\text{V} < V_{INTVCC}/V_{EXTVCC}$		3.2	3.3	3.40	V
$I_{LIM}(V_{DD33})$	$V_{DD33}$ Current Limit	$V_{DD33} = \text{GND}$		70		mA	
$V_{DD33\_OV}$	$V_{DD33}$ Overvoltage Threshold			3.5		V	
$V_{DD33\_UV}$	$V_{DD33}$ Undervoltage Threshold			3.1		V	
<b>V<sub>DD25</sub> Regulator</b>							
$V_{DD25}$	Internal $V_{DD25}$ Voltage			2.25	2.5	2.75	V
$I_{LIM}(V_{DD25})$	$V_{DD25}$ Current Limit	$V_{DD25} = \text{GND}$		50		mA	

# LTC3880/LTC3880-1

**ELECTRICAL CHARACTERISTICS** The ● denotes the specifications which apply over the specified operating junction temperature range, otherwise specifications are at  $T_A = 25^\circ\text{C}$ . (Note 2)  $V_{IN} = 12\text{V}$ ,  $V_{RUN0,1} = 3.3\text{V}$ ,  $f_{SYNC} = 500\text{kHz}$  (externally driven) unless otherwise specified.

SYMBOL	PARAMETER	CONDITIONS	MIN	TYP	MAX	UNITS
<b>Oscillator and Phase-Locked Loop</b>						
$f_{OSC}$	Oscillator Frequency Accuracy	$250\text{kHz} < f_{SYNC} < 1\text{MHz}$ Measured Falling Edge-to-Falling Edge of SYNC with SWITCH_FREQUENCY = 250.0 and 1000.0	●		$\pm 7.5$	%
$V_{TH,SYNC}$	SYNC Input Threshold	$V_{CLKIN}$ Falling $V_{CLKIN}$ Rising		1 1.5		V V
$V_{OL,SYNC}$	SYNC Low Output Voltage	$I_{LOAD} = 3\text{mA}$	●	0.2	0.4	V
$I_{LEAK,SYNC}$	SYNC Leakage Current in Slave Mode	$0\text{V} \leq V_{PIN} \leq 3.6\text{V}$			$\pm 5$	$\mu\text{A}$
$\theta_{SYNC-\theta 0}$	SYNC to Ch0 Phase Relationship Based on the Falling Edge of Sync and Rising Edge of TGO	MFR_PWM_CONFIG_LTC3880[2:0] = 0, 2, 3 MFR_PWM_CONFIG_LTC3880[2:0] = 5 MFR_PWM_CONFIG_LTC3880[2:0] = 1 MFR_PWM_CONFIG_LTC3880[2:0] = 4, 6		0 60 90 120		Deg Deg Deg Deg
$\theta_{SYNC-\theta 1}$	SYNC to Ch1 Phase Relationship Based on the Falling Edge of Sync and Rising Edge of TG1	MFR_PWM_CONFIG_LTC3880[2:0] = 3 MFR_PWM_CONFIG_LTC3880[2:0] = 0 MFR_PWM_CONFIG_LTC3880[2:0] = 2, 4, 5 MFR_PWM_CONFIG_LTC3880[2:0] = 1 MFR_PWM_CONFIG_LTC3880[2:0] = 6		120 180 240 270 300		Deg Deg Deg Deg Deg
<b>EEPROM Characteristics</b>						
Endurance	(Note 13)	$0^\circ\text{C} < T_J < 85^\circ\text{C}$ During EEPROM Write Operations	●	10,000		Cycles
Retention	(Note 13)	$T_J < T_{JMAX}$	●	10		Years
Mass_Write	Mass Write Operation Time	STORE_USER_ALL, $0^\circ\text{C} < T_J < 85^\circ\text{C}$ During EEPROM Write Operations	●	440	4100	ms
<b>Digital Inputs SCL, SDA, RUN0, RUN1, GPIO0, GPIO1</b>						
$V_{IH}$	Input High Threshold Voltage	SCL, SDA, RUN0, RUN1, $\overline{\text{GPIO0}}$ , $\overline{\text{GPIO1}}$	●		2.0	V
$V_{IL}$	Input Low Threshold Voltage	SCL, SDA, RUN0, RUN1, $\overline{\text{GPIO0}}$ , $\overline{\text{GPIO1}}$	●	1.4		V
$V_{HYST}$	Input Hysteresis	SCL, SDA		0.08		V
$C_{PIN}$	Input Capacitance				10	pF
<b>Digital Input WP</b>						
$I_{PUWP}$	Input Pull-Up Current	WP		10		$\mu\text{A}$
<b>Open-Drain Outputs SCL, SDA, GPIO0, GPIO1, ALERT, RUN0, RUN1, SHARE_CLK</b>						
$V_{OL}$	Output Low Voltage	$I_{SINK} = 3\text{mA}$	●		0.4	V
<b>Digital Inputs SHARE_CLK, WP</b>						
$V_{IH}$	Input High Threshold Voltage		●	1.5	1.8	V
$V_{IL}$	Input Low Threshold Voltage		●	0.6	1	V
<b>Leakage Current SDA, SCL, ALERT, RUN0, RUN1</b>						
$I_{OL}$	Input Leakage Current	$0\text{V} \leq V_{PIN} \leq 5.5\text{V}$	●		$\pm 5$	$\mu\text{A}$
<b>Leakage Current GPIO0, GPIO1</b>						
$I_{GL}$	Input Leakage Current	$0\text{V} \leq V_{PIN} < 3.6\text{V}$	●		$\pm 2$	$\mu\text{A}$

## ELECTRICAL CHARACTERISTICS

The ● denotes the specifications which apply over the specified operating junction temperature range, otherwise specifications are at  $T_A = 25^\circ\text{C}$ . (Note 2)  $V_{IN} = 12\text{V}$ ,  $V_{RUN0,1} = 3.3\text{V}$ ,  $f_{SYNC} = 500\text{kHz}$  (externally driven) unless otherwise specified.

SYMBOL	PARAMETER	CONDITIONS	MIN	TYP	MAX	UNITS
<b>Digital Filtering of GPIO0, GPIO1</b>						
$t_{FLTG}$	Input Digital Filtering GPIO			3		$\mu\text{s}$
<b>Digital Filtering of RUN0, RUN1</b>						
$t_{FLTG}$	Input Digital Filtering RUN			10		$\mu\text{s}$
<b>PMBus Interface Timing Characteristics</b>						
$f_{SMB}$	Serial Bus Operating Frequency		●	10	400	kHz
$t_{BUF}$	Bus Free Time Between Stop and Start		●	1.3		$\mu\text{s}$
$t_{HD,STA}$	Hold time After Repeated Start Condition. After this Period, the First Clock is Generated		●	0.6		$\mu\text{s}$
$t_{SU,STA}$	Repeated Start Condition Setup Time		●	0.6		$\mu\text{s}$
$t_{SU,STO}$	Stop Condition Setup Time		●	0.6		$\mu\text{s}$
$t_{HD,DAT}$	Data Hold Time Receiving Data Transmitting Data		● ●	0 0.3	0.9	$\mu\text{s}$ $\mu\text{s}$
$t_{SU,DAT}$	Data Setup Time Receiving Data		●	0.1		$\mu\text{s}$
$t_{TIMEOUT\_SMB}$	Stuck PMBus Timer Non-Block Reads Stuck PMBus Timer Block Reads	Measured from the Last PMBus Start Event		32 150		ms ms
$t_{LOW}$	Serial Clock Low Period		●	1.3	10000	$\mu\text{s}$
$t_{HIGH}$	Serial Clock High Period		●	0.6		$\mu\text{s}$

**Note 1:** Stresses beyond those listed under Absolute Maximum Ratings may cause permanent damage to the device. Exposure to any Absolute Maximum Rating condition for extended periods may affect device reliability and lifetime.

**Note 2:** The LTC3880/LTC3880-1 are tested under pulsed load conditions such that  $T_J \approx T_A$ . The LTC3880E/LTC3880E-1 are guaranteed to meet performance specifications from  $0^\circ\text{C}$  to  $85^\circ\text{C}$ . Specifications over the  $-40^\circ\text{C}$  to  $105^\circ\text{C}$  operating junction temperature range are assured by design, characterization and correlation with statistical process controls. The LTC3880I/LTC3880I-1 are guaranteed over the full  $-40^\circ\text{C}$  to  $125^\circ\text{C}$  operating junction temperature range.  $T_J$  is calculated from the ambient temperature  $T_A$  and power dissipation  $P_D$  according to the following formula:

$$T_J = T_A + (P_D \cdot \theta_{JA})$$

The maximum ambient temperature consistent with these specifications is determined by specific operating conditions in conjunction with board layout, the rated package thermal impedance and other environmental factors.

**Note 3:** All currents into device pins are positive; all currents out of device pins are negative. All voltages are referenced to ground unless otherwise specified.

**Note 4:** Rise and fall times are measured using 10% and 90% levels. Delay times are measured using 50% levels.

**Note 5:** The data format in PMBus is 5 bits exponent (signed) and 11 bits mantissa (signed). This limits the output resolution to 10 bits though the internal ADC is 16 bits and the calculations use 32-bit words.

**Note 6:** The data conversion is done in round robin fashion. All inputs signals are continuously converted for a typical latency of 90ms.

**Note 7:** The  $I_{OUT\_CAL\_GAIN} = 1.0\text{m}\Omega$  and  $MFR\_I_{OUT\_CAL\_GAIN\_TC} = 0.0$ . Value as read from  $READ\_I_{OUT}$  in amperes.

**Note 8:** Part tested with PWM disabled. Evaluation in application demonstrates capability.  $TUE (\%) = \text{ADC Gain Error} (\%) + 100 \cdot [\text{Zero Code Offset} + \text{ADC Linearity Error}] / \text{Actual Value}$ .

**Note 9:** All  $V_{OUT}$  commands assume the ADC is used to auto-zero the output to achieve the stated accuracy. LTC3880 is tested in a feedback loop that servos  $V_{OUT}$  to a specified value.

**Note 10:** The maximum  $V_{OUT}$  voltage is 5.5V.

**Note 11:** The maximum  $V_{IN}$  voltage is 28V.

**Note 12:** When  $V_{IN} < 6\text{V}$ ,  $INTV_{CC}$  must be tied to  $V_{IN}$ .

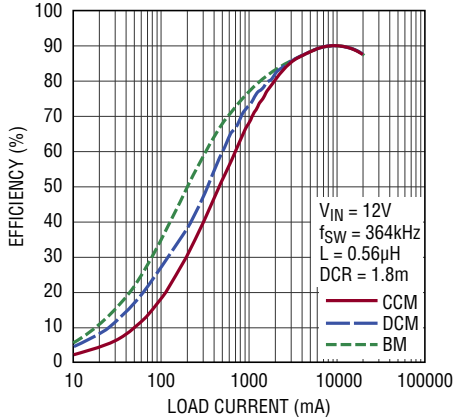
**Note 13:** EEPROM endurance and retention are guaranteed by design, characterization and correlation with statistical process controls. The minimum retention specification applies for devices whose EEPROM has been cycled less than the minimum endurance specification. The  $RESTORE\_USER\_ALL$  command (NVM read) is valid over the entire operating junction temperature range.

**Note 14:** The LTC3880-1 quiescent current ( $I_Q$ ) equals the  $I_Q$  of  $V_{IN}$  plus the  $I_Q$  of  $EXTV_{CC}$ .

**Note 15:** Guaranteed with a common mode voltage ( $V_{OUT}$ ) between 0V and 5.5V.

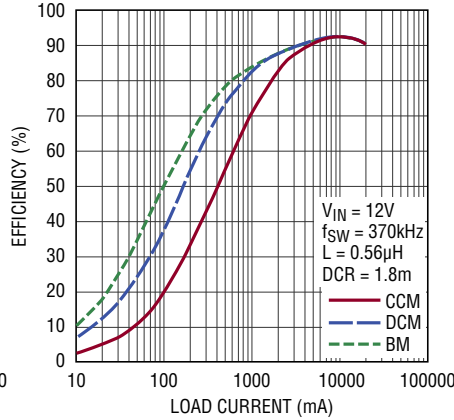
## TYPICAL PERFORMANCE CHARACTERISTICS

**Efficiency vs Load Current,  
 $V_{OUT} = 1.8V$  (LTC3880)**



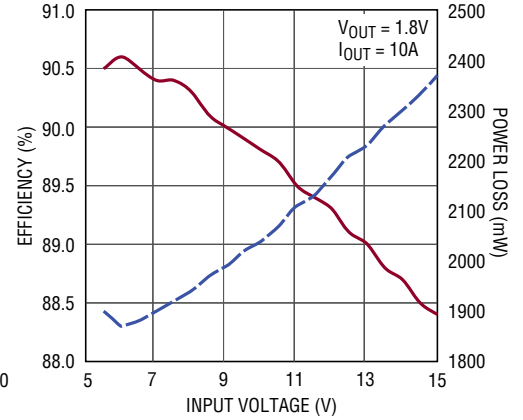
3880 G01

**Efficiency vs Load Current,  
 $V_{OUT} = 3.3V$  (LTC3880)**



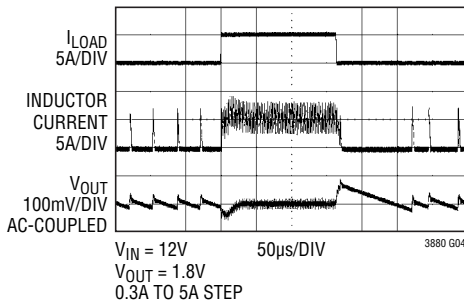
3880 G02

**Efficiency and Power Loss  
vs Input Voltage (LTC3880)**



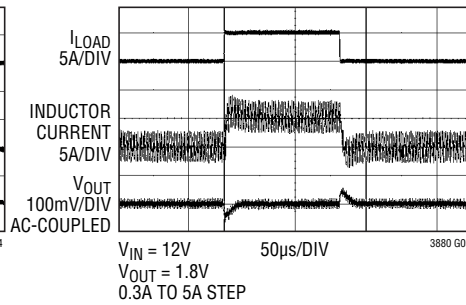
3880 G03

**Load Step  
(Burst Mode Operation)**



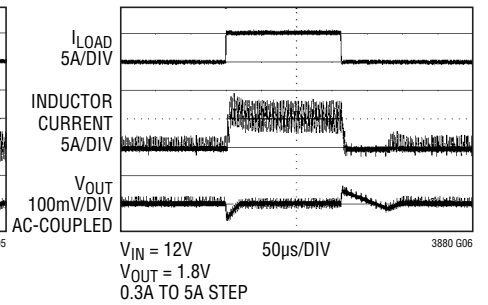
3880 G04

**Load Step  
(Forced Continuous Mode)**



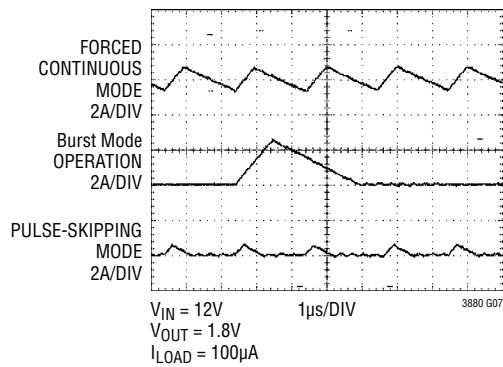
3880 G05

**Load Step  
(Pulse-Skipping Mode)**



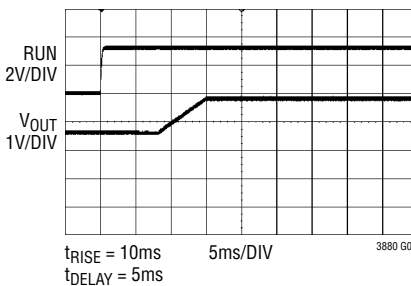
3880 G06

**Inductor Current at Light Load**



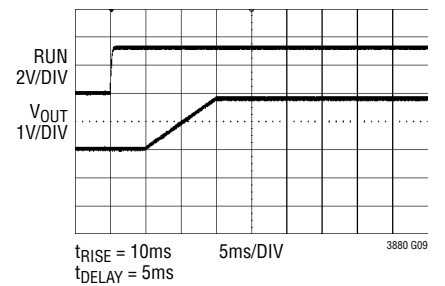
3880 G07

**Start-Up into a Pre-Biased Load**



3880 G08

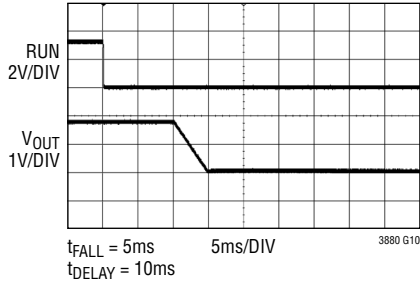
**Soft-Start Ramp**



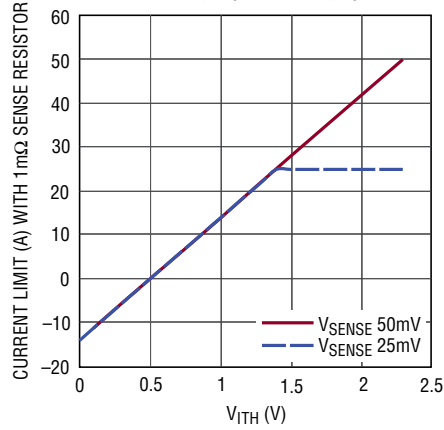
3880 G09

# TYPICAL PERFORMANCE CHARACTERISTICS

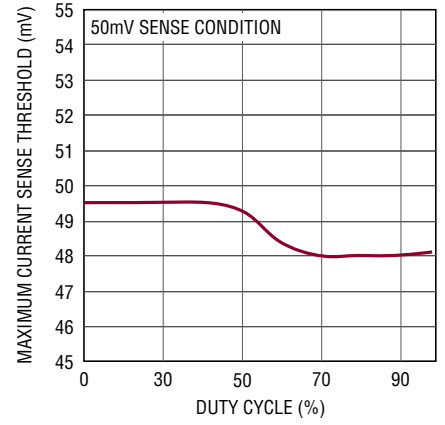
**Soft-Off Ramp**



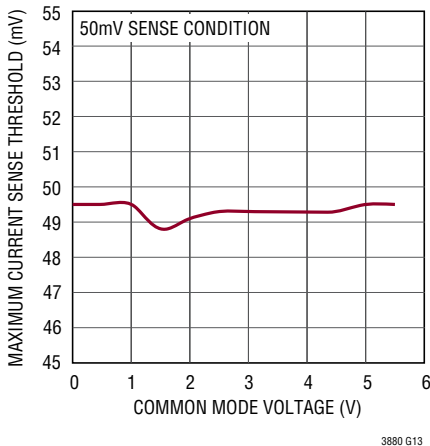
**Current Sense Threshold vs  $I_{TH}$  Voltage (Low Range)**



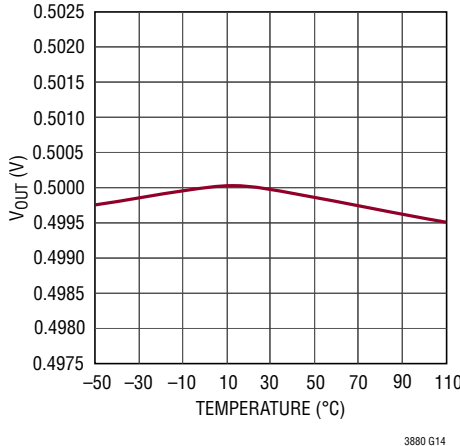
**Maximum Current Sense Threshold vs Duty Cycle,  $V_{OUT} = 0V$**



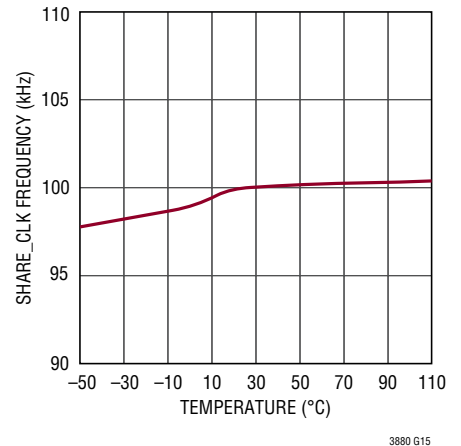
**Maximum Current Sense Threshold vs Common Mode Voltage**



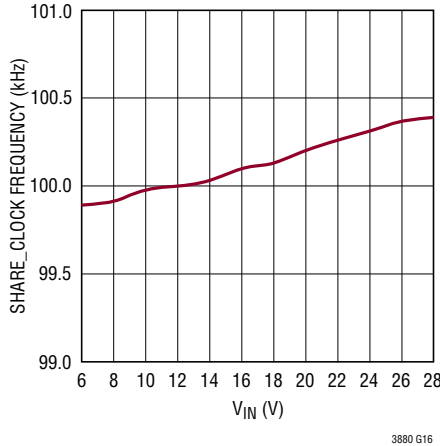
**Regulated Output vs Temperature**



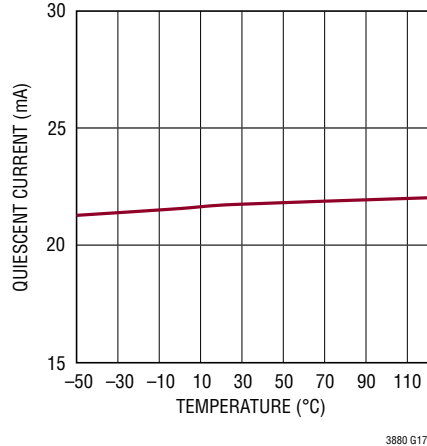
**SHARE\_CLK Frequency vs Temperature**



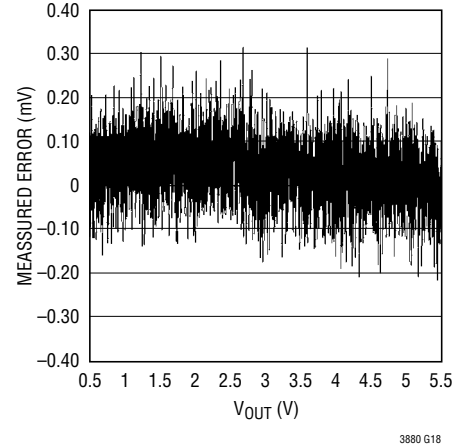
**SHARE-CLK Frequency vs  $V_{IN}$**



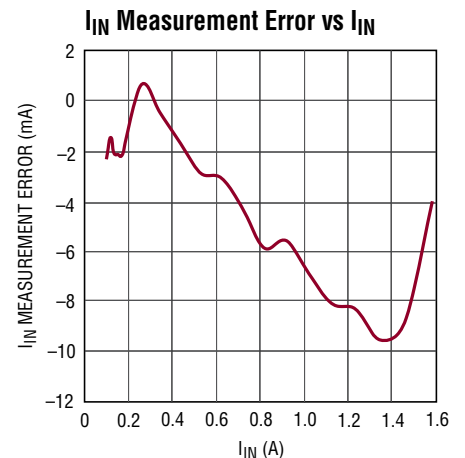
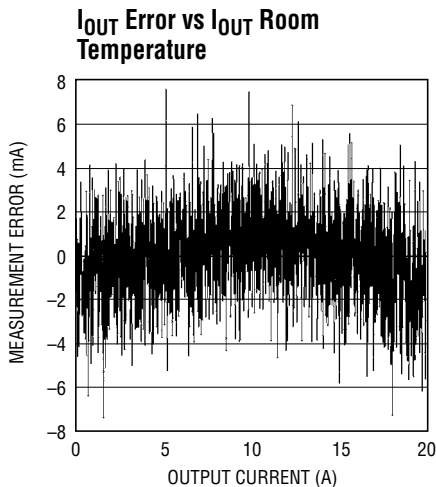
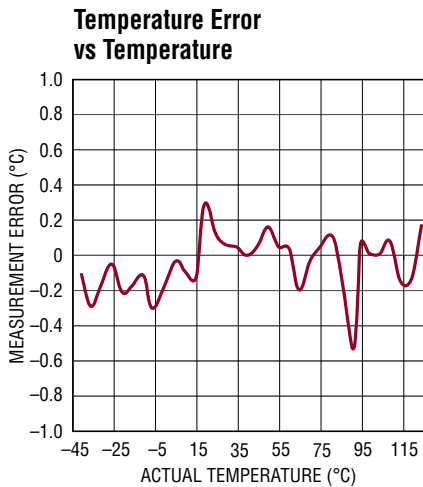
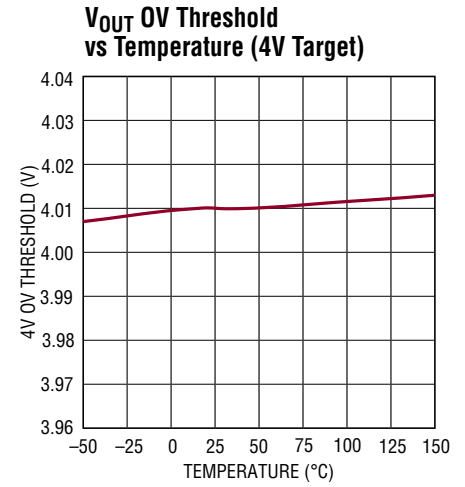
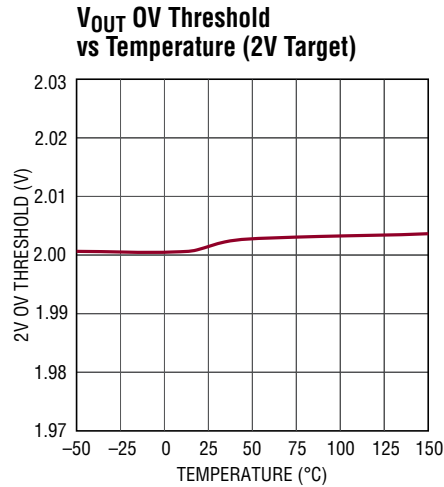
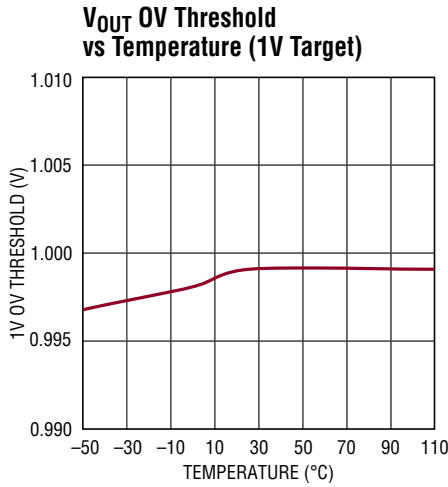
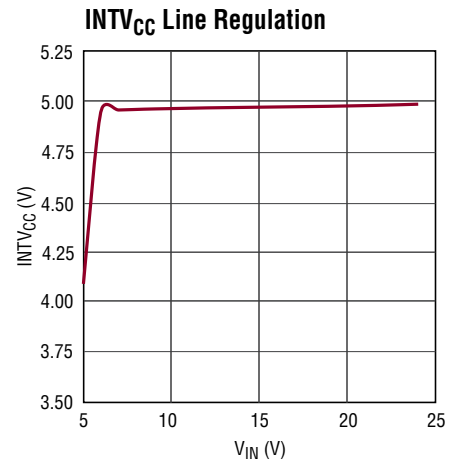
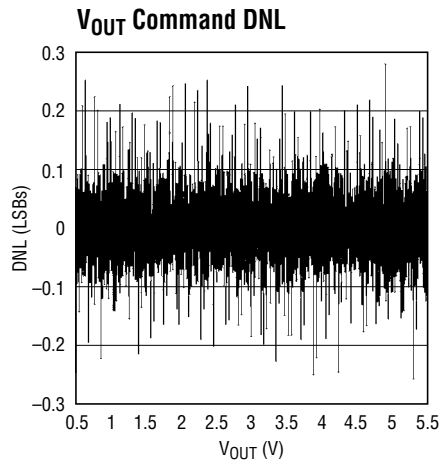
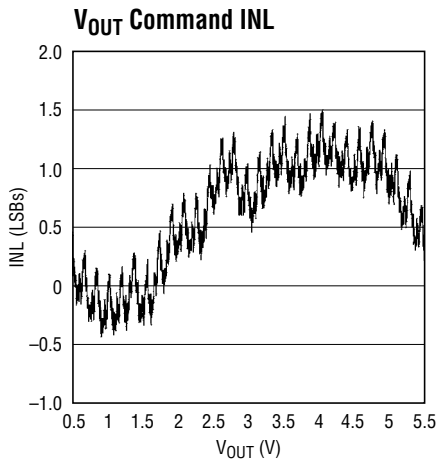
**Quiescent Current vs Temperature**



**$V_{OUT}$  Measurement vs  $V_{OUT}$**

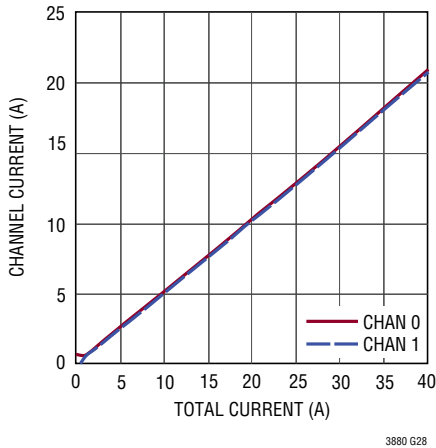


## TYPICAL PERFORMANCE CHARACTERISTICS

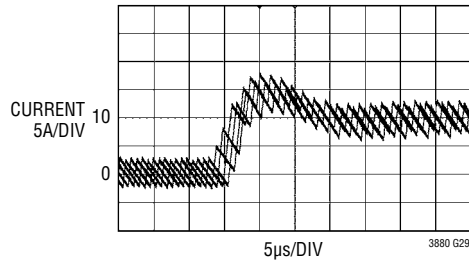


## TYPICAL PERFORMANCE CHARACTERISTICS

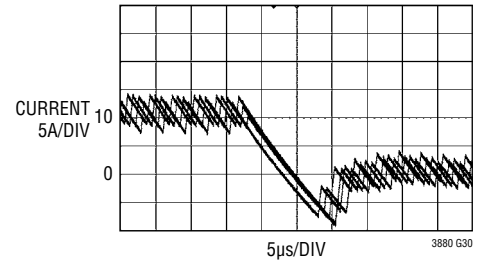
DC Output Current Matching in a 2-Phase System (LTC3880)



Dynamic Current Sharing During a Load Transient in a 4-Phase System



Dynamic Current Sharing During a Load Transient in a 4-Phase System



## PIN FUNCTIONS

**V<sub>SENSE0+</sub> (Pin 1):** Channel 0 Positive Voltage Sense Input.

**V<sub>SENSE0-</sub> (Pin 2):** Channel 0 Negative Voltage Sense Input.

**I<sub>TH0</sub>/I<sub>TH1</sub> (Pin 5/Pin 26):** Current Control Threshold and Error Amplifier Compensation Nodes. Each associated channel's current comparator tripping threshold increases with its I<sub>TH</sub> voltage.

**I<sub>SENSE0+</sub>/I<sub>SENSE1+</sub> (Pins 6/Pin 3):** Current Sense Comparator Inputs. The (+) inputs to the current comparators are normally connected to DCR sensing networks or current sensing resistors.

**I<sub>SENSE0-</sub>/I<sub>SENSE1-</sub> (Pin 7/Pin 4):** Current Sense Comparator Inputs. The (-) inputs are connected to the low side of the current sense element.

**SYNC (Pin 8):** External Clock Synchronization Input and Open-Drain Output Pin. If an external clock is present at this pin, the switching frequency will be synchronized to the external clock. If clock master mode is enabled, this pin will pull low at the switching frequency with a 500ns pulse to ground. A resistor pull up to 3.3V is required in the application if the LTC3880 is the master.

**SCL (Pin 9):** Serial Bus Clock Input. Open-drain output, can hold the output low if clock stretching is enabled. A pull-up resistor to 3.3V is required in the application.

**SDA (Pin 10):** Serial Bus Data Input and Output. A pull-up resistor to 3.3V is required in the application.

**ALERT (Pin 11):** Open-Drain Digital Output. Connect the SMBALERT signal to this pin. A pull-up resistor to 3.3V is required in the application.

**GPI00/GPI01 (Pin 12/Pin 13):** Digital Programmable General Purpose Inputs and Outputs. Open-drain output. A pull-up resistor to 3.3V is required in the application.

**RUN0/RUN1 (Pin 14/Pin 15):** Enable Run Input. Logic high on these pins enables the controller. Open-drain output holds the pin low until the LTC3880 is out of reset. A pull-up resistor to 3.3V is required in the application.

**ASEL (Pin 16):** Serial Bus Address Configuration Input. Connect a  $\pm 1\%$  resistor divider between the chip V<sub>DD25</sub> ASEL and SGND in order to select the 4LSBs of the serial bus interface address. A resistor divider on ASEL is recommended if there are more than 1 LTC3880 on the same board to assure the user can independently program each IC. If the pin is left open, the IC will use the value programmed in the NVM. Minimize capacitance when the pin is open to assure accurate detection of the pin state.

## PIN FUNCTIONS

**FREQ\_CFG (Pin 17):** Frequency or Phase Set/Select Pin. Connect a  $\pm 1\%$  resistor divider between the chip  $V_{DD25}$  FREQ\_CFG and SGND in order to select switching frequency or phase. If the pin is left open, the IC will use the value programmed in the NVM. Minimize capacitance when the pin is open to assure accurate detection of the pin state.

**$V_{OUT0\_CFG}/V_{OUT1\_CFG}$  (Pin 18/Pin 19):** Output Voltage Select Pin. Connect a  $\pm 1\%$  resistor divider between the chip  $V_{DD25}$   $V_{OUTn\_CFG}$  and SGND in order to select output voltage. This voltage can be adjusted with the  $V_{TRIMn\_CFG}$  pins. If the pin is left open, the IC will use the value programmed in the NVM. Minimize capacitance when the pin is open to assure accurate detection of the pin state.

**$V_{TRIM0\_CFG}/V_{TRIM1\_CFG}$  (Pin 20/Pin 21):** Voltage Trim Select Pin. Connect a  $\pm 1\%$  resistor divider between the chip  $V_{DD25}$   $V_{TRIMn\_CFG}$  and SGND in order to adjust the output voltage set point. The  $V_{TRIMn\_CFG}$  settings in conjunction with the  $V_{OUTn\_CFG}$  setting adjusts the voltage set point. If the pin is left open, the IC will either not modify the  $V_{OUTn\_CFG}$  setting or use NVM. Minimize capacitance when the pin is open to assure accurate detection of the pin state.

**$V_{DD25}$  (Pin 22):** Internally Generated 2.5V power Supply Output Pin. Bypass this pin to SGND with a low ESR  $1\mu\text{F}$  capacitor. Do not load this pin with external current except for the  $\pm 1\%$  resistor dividers required for the configuration pins.

**WP (Pin 23):** Write Protect Pin Active High. An internal  $10\mu\text{A}$  current source pulls the pin to  $V_{DD33}$ . If WP is high, the PMBus writes are restricted.

**SHARE\_CLK (Pin 24):** Share Clock, Bidirectional Open-Drain Clock Sharing Pin. Nominally 100kHz. Used to synchronize the timing between multiple LTC3880s. Tie all SHARE\_CLK pins together. All LTC3880s will synchronize to the fastest clock. A pull-up resistor to 3.3V is required.

**$V_{DD33}$  (Pin 25):** Internally Generated 3.3V Power Supply Output Pin. Bypass this pin to SGND with a low ESR  $1\mu\text{F}$  capacitor. Do not load this pin with external current except for the pull-up resistors required for  $\overline{\text{GPIO}n}$ , SCLK, SYNC and possibly RUN $n$ , ALERT, SDA and SCL.

**$V_{SENSE1}$  (Pin 27):** Channel 1 Voltage Sense Input. This input voltage is referenced to the SGND pin.

**INTV<sub>CC</sub> (Pin 33):** LTC3880: Internal Regulator 5V Output. The control circuits are powered from this voltage. Decouple this pin to PGND with a minimum of  $4.7\mu\text{F}$  low ESR tantalum or ceramic capacitor.

**EXTV<sub>CC</sub> (Pin 33):** LTC3880-1: External Regulator 5V input. The control circuits are powered from this voltage. Decouple this pin to PGND with a minimum of  $4.7\mu\text{F}$  low ESR tantalum or ceramic capacitor.

**PGND (Pin 34):** Power Ground Pin. Connect this pin closely to the sources of the bottom N-channel MOSFETs, the (-) terminal of  $C_{VCC}$  and the (-) terminal of  $C_{IN}$ .

**$V_{IN}$  (Pin 35):** LTC3880: Main Input Supply. Decouple this pin to PGND with a capacitor ( $0.1\mu\text{F}$  to  $1\mu\text{F}$ ). For applications where the main input power is 5V, tie the  $V_{IN}$  and INTV<sub>CC</sub> pins together. LTC3880-1: Input Voltage Sense. Should be connected to the external power MOSFET supply.

**BG0/BG1 (Pin 36/Pin 32):** Bottom Gate Driver Outputs. These pins drive the gates of the bottom N-Channel MOSFETs between PGND and INTV<sub>CC</sub>.

**BOOST0/BOOST1 (Pin 37/Pin 31):** Boosted Floating Driver Supplies. The (+) terminal of the bootstrap capacitors connect to these pins. These pins swing from a diode voltage drop below INTV<sub>CC</sub> up to  $V_{IN} + \text{INTV}_{CC}$ .

**TG0/TG1 (Pin 38/Pin 30):** Top Gate Driver Outputs. These are the outputs of floating drivers with a voltage swing equal to INTV<sub>CC</sub> superimposed on the switch node voltages.

**SW0/SW1 (Pin 39/Pin 29):** Switch Node Connections to Inductors. Voltage swings at the pins are from a Schottky diode (external) voltage drop below ground to  $V_{IN}$ .

**TSNS0/TSNS1 (Pin 40/Pin 28):** Channel 0,1 External Diode Temperature Sense. Connect to the anode of a diode connected PNP transistor and star connect the cathode to SGND in order to sense remote temperature. If external temperature sense elements are not installed, short pin to ground and set the UT\_FAULT\_LIMIT to  $-275^\circ\text{C}$ , IOUT\_CAL\_GAIN\_TC set to zero and the UT\_FAULT\_RESPONSE to ignore.

**SGND (Exposed Pad Pin 41):** Signal Ground. All small-signal and compensation components should connect to this ground, which in turn connects to PGND at one point.

**BLOCK DIAGRAM** (One of two channels (CH0) shown)

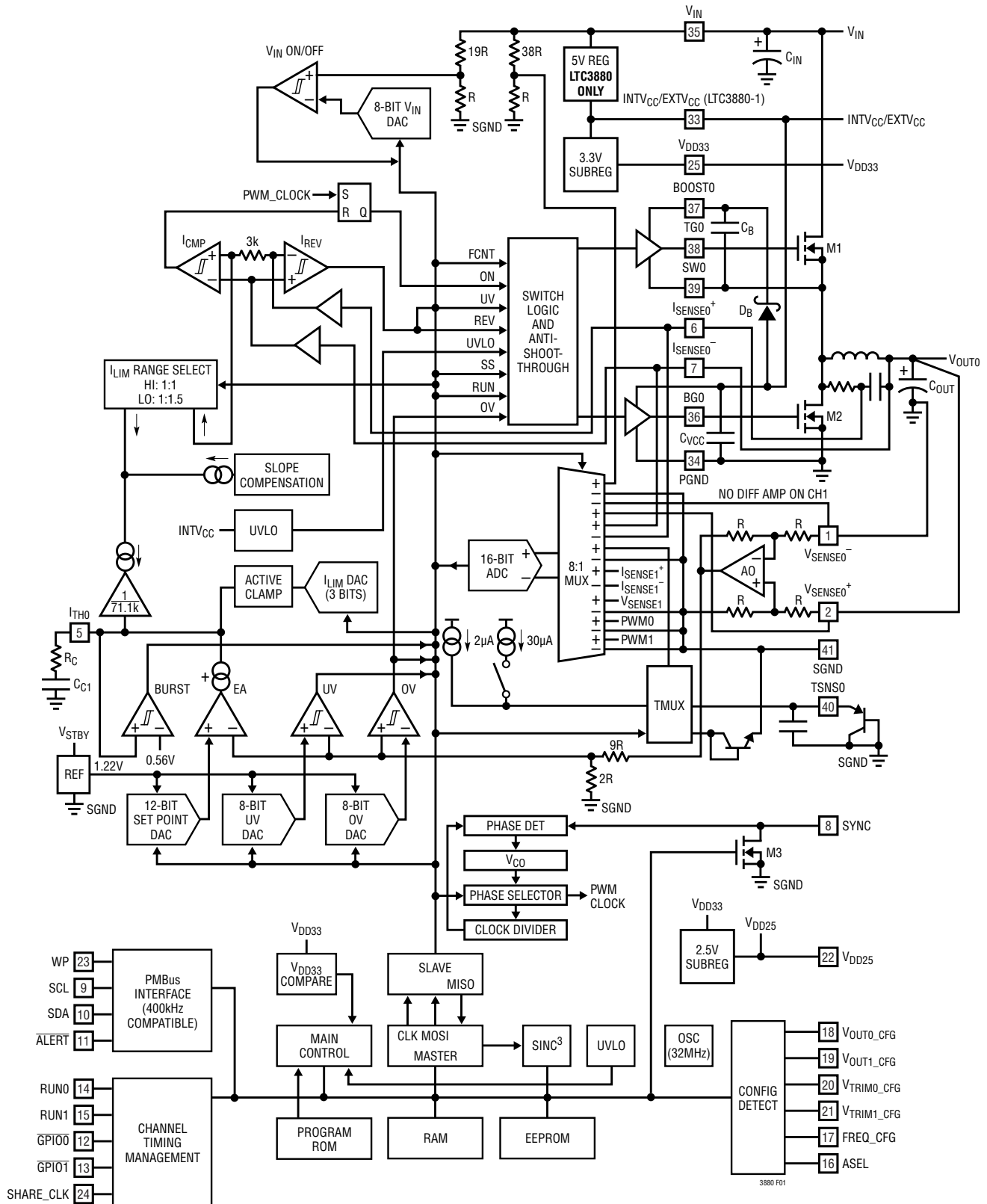


Figure 1. Block Diagram

## OPERATION

### OVERVIEW

The LTC3880 is a dual channel/dual phase, constant frequency, analog current mode controller for DC/DC step-down applications with a digital interface. The LTC3880 digital interface is compatible with PMBus which supports bus speeds of up to 400kHz. A typical application circuit is shown on the first page of this data sheet.

Major features include:

- Programmable Output Voltage
- Programmable Input Voltage Comparator
- Programmable Current Limit
- Programmable Switching Frequency
- Programmable OV and UV Comparators
- Programmable On and Off Delay Times
- Programmable Output Rise/Fall Times
- Phase-Locked Loop for Synchronous, Polyphase Operation (2, 3, 4 or 6 Phases)
- Input and Output Voltage/Current, Temperature and Duty Cycle Telemetry
- Fully Differential Load Sense
- Integrated Gate Drivers
- Non-Volatile Configuration Memory with ECC
- Optional External Configuration Resistors for Key Operating Parameters
- Optional Time-Base Interconnect for Synchronization Between Multiple Controllers
- Fault Logging
- WP Pin to Protect Internal Configuration
- Standalone Operation After User Factory Configuration
- PMBus, 400kHz Compliant Interface

The PMBus interface provides access to important power management data during system operation including:

- Internal Controller Temperature
- External System Temperature via Optional Diode Sense Elements

- Average Output Current
- Average PWM Duty Cycle
- Average Output Voltage
- Average Input Voltage
- Average Input Current
- Configurable, Latched and Unlatched Individual Fault and Warning Status

Individual channels are accessed through the PMBus using the PAGE command, i.e., PAGE 0 or 1.

Fault reporting and shutdown behavior are fully configurable. Two individual  $\overline{\text{GPIO}}$  outputs are provided ( $\overline{\text{GPIO0}}$ ,  $\overline{\text{GPIO1}}$ ), both of which can be masked independently. A dedicated pin for  $\overline{\text{ALERT}}$  is provided. The shutdown operation also allows all faults to be individually masked and can be operated in either unlatched (hiccup) or latched modes.

Individual status commands enable fault reporting over the serial bus to identify the specific fault event. Fault or warning detection includes the following:

- Output Undervoltage/Overvoltage
- Input Undervoltage/Overvoltage
- Input and Output Overcurrent
- Internal Overtemperature
- External Overtemperature
- Communication, Memory or Logic (CML) Fault

### MAIN CONTROL LOOP

The LTC3880 is a constant frequency, current mode step-down controller containing two channels operating with various user-defined relative phasing. During normal operation each top MOSFET is turned on when the clock for that channel sets the RS latch, and turned off when the main current comparator,  $I_{\text{CMP}}$ , resets the RS latch. The peak inductor current at which  $I_{\text{CMP}}$  resets the RS latch is controlled by the voltage on the  $I_{\text{TH}}$  pin which is the output of each error amplifier, EA. The EA negative terminal is equal to the  $V_{\text{SENSE}}$  voltage divided by 5.5 (2.75 if range = 1). The positive terminal of the EA is

## OPERATION

connected to the output of a 12-bit DAC with values ranging from 0V to 1.024V. The output voltage, through feedback of the EA, will be regulated to 5.5 times the DAC output (2.75 times if range = 1). The DAC value is calculated by the part to synthesize the users desired output voltage. The output voltage is programmed by the user either with the resistor configuration pins detailed in Tables 12 and 13 or by the  $V_{OUT}$  command (either from NVM or by PMBus command). Refer to the PMBus command section of the data sheet or the PMBus specification for more details. The output voltage can be modified by the user at any time with a PMBus  $V_{OUT\_COMMAND}$ . This command will typically have a latency less than 10ms. The user is encouraged to reference the PMBus Power System Management Protocol Specification to understand how to program the LTC3880. This specification can be found at <http://www.pmbus.org/specs.html>.

Continuing the basic operation description, the current mode controller will turn off the top gate when the peak current is reached. If the load current increases,  $V_{SENSE}$  will slightly droop with respect to the DAC reference. This causes the  $I_{TH}$  voltage to increase until the average inductor current matches the new load current. After the top MOSFET has turned off, the bottom MOSFET is turned on. In continuous conduction mode, the bottom MOSFET stays on until the end of the switching cycle.

## EEPROM

The LTC3880 contains internal EEPROM with Error Correction Coding (ECC) or NVM (nonvolatile memory) to store configuration settings and fault log information. EEPROM endurance retention and mass write operation time are specified in the Electrical Characteristics and Absolute Maximum Ratings sections. Write operations above  $T_J = 85^\circ\text{C}$  are possible although the Electrical Characteristics are not guaranteed and the EEPROM will be degraded. Read operations performed at temperatures between  $85^\circ\text{C}$  and  $125^\circ\text{C}$  will not degrade the EEPROM. Writing to the EEPROM above  $85^\circ\text{C}$  will result in a degradation of retention characteristics. The fault logging function, which is useful in debugging system problems that may occur at high temperatures, only writes to fault log EEPROM

locations. If occasional writes to these registers occur above  $85^\circ\text{C}$ , the slight degradation in the data retention characteristics of the fault log will not take away from the usefulness of the function.

It is recommended that the EEPROM not be written when the die temperature is greater than  $85^\circ\text{C}$ . If the die temperature exceeds  $130^\circ\text{C}$ , the LTC3880 will disable all EEPROM write operations. All EEPROM write operations will be re-enabled when the die temperature drops below  $125^\circ\text{C}$ . (The controller will also disable when the die temperature exceeds the internal overtemperature fault limit  $160^\circ\text{C}$  with a  $10^\circ\text{C}$  hysteresis)

The degradation in EEPROM retention for temperatures  $>125^\circ\text{C}$  can be approximated by calculating the dimensionless acceleration factor using the following equation:

$$AF = e^{\left[ \left( \frac{E_a}{k} \right) \cdot \left( \frac{1}{T_{USE} + 273} - \frac{1}{T_{STRESS} + 273} \right) \right]}$$

where:

AF = acceleration factor

$E_a$  = activation energy = 1.4eV

$K = 8.617 \cdot 10^{-5}$  eV/ $^\circ\text{C}$

$T_{USE} = 125^\circ\text{C}$  specified junction temperature

$T_{STRESS}$  = actual junction temperature in  $^\circ\text{C}$

Example: Calculate the effect on retention when operating at a junction temperature of  $135^\circ\text{C}$  for 10 hours.

$$T_{STRESS} = 130^\circ\text{C}$$

$$T_{USE} = 125^\circ\text{C}$$

$$AF = e^{[(1.4/8.617 \cdot 10^{-5}) \cdot (1/398 - 1/403)]} = 1.66$$

The equivalent operating time at  $125^\circ\text{C} = 16.6$  hours.

Thus the overall retention of the EEPROM was degraded by 16.6 hours as a result of operating at a junction temperature of  $130^\circ\text{C}$  for 10 hours. The effect of the overstress is negligible when compared to the overall EEPROM retention rating of 87,600 hours at a maximum junction temperature of  $125^\circ\text{C}$ .

## OPERATION

### POWER UP AND INITIALIZATION

The LTC3880 is designed to provide standalone supply sequencing and controlled turn-on and turn-off operation. It operates from a single input supply (4.5V to 24V) while three on-chip linear regulators generate internal 2.5V, 3.3V and 5V. If  $V_{IN}$  is below 6V, the  $INTV_{CC}$  and  $V_{IN}$  pins must be tied together. The controller configuration is initialized by an internal threshold based UVLO where  $V_{IN}$  must be approximately 4V and the 5V, 3.3V and 2.5V linear regulators must be within approximately 20% of the regulated values. The LTC3880-1 does not have an internal 5V linear regulators. The  $EXTV_{CC}$  pin is driven by an external regulator to improve efficiency of the circuit and minimize power on the LTC3880. The  $EXTV_{CC}$  pin must exceed approximately 4V before the internal UVLO is exceeded. To minimize application power, the  $EXTV_{CC}$  pin can be supplied by a switching regulator.

During initialization, the external configuration resistors are identified and/or contents of the NVM are read into the controller's commands. The  $\overline{GPIO}n$  pins are in high impedance (Hi-Z) mode. The  $TGn$ ,  $BGn$  and  $RUNn$  pins are held low. The LTC3880 will use the contents of Tables 12 to 15 to determine the resistor defined parameters. See the Resistor Configuration section for more detail. The resistor configuration pins only control some of the preset values of the controller. The remaining values are programmed in NVM either at the factory or by the user.

If the configuration resistors are not inserted or if the ignore  $R_{CONFIG}$  bit is asserted (bit 6 of the  $MFR\_CONFIG\_ALL\_LTC3880$  configuration command), the LTC3880 will use only the contents of NVM to determine the DC/DC characteristics. The  $ASEL$  value read at power-up or reset is always respected unless the pin is open. The  $ASEL$  will use the MSB from NVM and the LSB from the detected threshold. See the Applications Information section for more detail.

After the part has initialized, an additional comparator monitors  $V_{IN}$ . The  $VIN\_ON$  threshold must be exceeded before the output power sequencing can begin. After  $V_{IN}$  is initially applied, the part will typically require 120ms to initialize and begin the  $TON\_DELAY$  timer. The readback of voltages and currents may require an additional 90ms.

### SOFT-START

The part must enter the run state prior to soft-start. The run pins are released by the LTC3880 after the part initializes and  $V_{IN}$  is greater than the  $VIN\_ON$  threshold. If multiple LTC3880s are used in an application, they all hold their respective run pins low until all devices initialize and  $V_{IN}$  exceeds the  $VIN\_ON$  threshold for every device. The  $SHARE\_CLK$  pin assures all the devices connected to the signal use the same time base. The  $SHARE\_CLK$  pin is held low until the part has initialized after  $V_{IN}$  is applied. The LTC3880 can be set to turn off (or remain off) if  $SHARE\_CLK$  is low (set bit 2 of  $MFR\_CHAN\_CONFIG\_LTC3880$  to a 1). This allows the user to assure synchronization across numerous LTC ICs even if the  $RUN$  pins can not be connected together due to board constraints. In general, if the user cares about synchronization between chips it is best to connect all the respective  $RUN$  pins together and to connect all the respective  $SHARE\_CLK$  pins together. This assures all chips begin sequencing at the same time and use the same time base.

After the  $RUN$  pin releases and prior to entering a constant output voltage regulation state, the LTC3880 performs a monotonic initial ramp or "soft-start". Soft-start is performed by actively regulating the load voltage while digitally ramping the target voltage from 0V to the commanded voltage set-point. Once the LTC3880 is commanded to turn on, (after power up and initialization) the controller waits for the user specified turn-on delay ( $TON\_DELAY$ ) prior to initiating this output voltage ramp. The rise time of the voltage ramp can be programmed using the  $TON\_RISE$  command to minimize inrush currents associated with the start-up voltage ramp. The soft-start feature is disabled by setting the value of  $TON\_RISE$  to any value less than 0.25ms. The LTC3880 PWM always uses discontinuous mode during the  $TON\_RISE$  operation. In discontinuous mode, the bottom gate is turned off as soon as reverse current is detected in the inductor. This will allow the regulator to start up into a pre-biased load. When the  $TON\_MAX\_FAULT\_LIMIT$  is reached, the part transitions to continuous mode or burst, if so programmed. If  $TON\_MAX\_FAULT\_LIMIT$  is set to zero, there is no time limit and the part transitions to the desired conduction mode after  $TON\_RISE$  completes and  $V_{OUT}$  has exceeded

## OPERATION

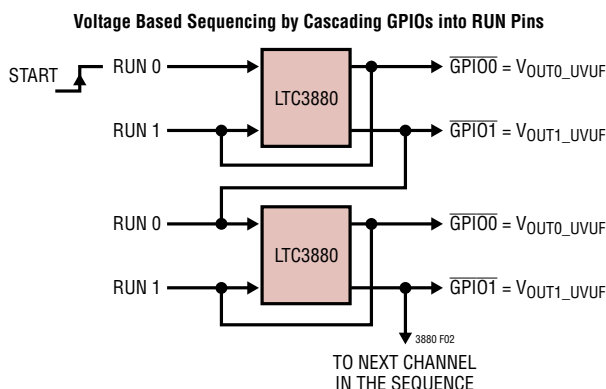
the VOUT\_UV\_FAULT\_LIMIT and IOUT\_OC is not present. Setting TON\_MAX\_FAULT\_LIMIT to a value of 0 is not recommended. This described method of start-up sequencing is time based.

## SEQUENCING

The default mode for sequencing the outputs on and off is time based. Each output is enabled after waiting TON\_DELAY amount of time following either a RUN pin going high, a PMBus command to turn on or the VIN rising above a preprogrammed voltage. Off sequencing is handled in a similar way. To assure proper sequencing, make sure all ICs connect the SHARE\_CLK pin together and RUN pins together. If the RUN pins can not be connected together for some reason, set bit 2 of MFR\_CHAN\_CONFIG\_LTC3880 to a 1. This bit requires the SHARE\_CLK pin to be clocking before the power supply output can start. When the RUN pin is pulled low, the LTC3880 will hold the pin low for the MFR\_RESTART\_DELAY. The minimum MFR\_RESTART\_DELAY is TOFF\_DELAY + TOFF\_FALL + 136ms. This delay assures proper sequencing of all rails. The LTC3880 calculates this delay internally and will not process a shorter delay. However, a longer commanded MFR\_RESTART\_DELAY will be used by the part. The maximum allowed value is 65.52 seconds.

## VOLTAGE-BASED SEQUENCING

The  $\overline{\text{GPIO}}_n$  pins can be asserted when the UV threshold is exceeded for each output. It is possible to feed the  $\overline{\text{GPIO}}$  pin from one output into the RUN pin of the next output



**Figure 2. Event (Voltage) Based Sequencing**

in the sequence. To use the  $\overline{\text{GPIO}}_n$  pin for voltage based sequencing, set bit 12 of the MFR\_GPIO $_n$ \_PROPAGATE command = 1. Bit 12 is the VOUT\_UVUF (PGOOD) which is the unfiltered VOUT\_UV comparator. Using the unfiltered VOUT\_UV fault limit is recommended because there is little appreciable time delay between the comparator crossing the UV threshold and the  $\overline{\text{GPIO}}$  pin releasing. This can be implemented across multiple LTC3880s. The VOUT\_UVUF (PGOOD) has a 70 $\mu$ s filter. If the VOUT voltage bounces around the UV threshold for a long period of time it is possible for the  $\overline{\text{GPIO}}$  output to toggle more than once. To minimize this problem, set the TON\_RISE time under 100ms. If a fault in the string of rails is detected, only the faulted rail and downstream rails will fault off. The rails in the string of devices in front of the faulted rail will remain on unless commanded off.

## SHUTDOWN

The LTC3880 supports two shutdown modes. The first mode is closed-loop shutdown response, with user-defined turn-off delay (TOFF\_DELAY) and ramp down rate (TOFF\_FALL). The controller will maintain the mode of operation for TOFF\_FALL. In discontinuous conduction mode, the controller will not draw current from the load and the fall time will be set by the output capacitance and load current.

The other shutdown mode occurs in response to a fault condition or loss of SHARE\_CLK (if bit 2 of MFR\_CHAN\_CONFIG\_LTC3880 is set to a 1) or VIN falling below the VIN\_OFF threshold or  $\overline{\text{GPIO}}$  pulled low externally (if the MFR\_GPIO\_RESPONSE is set to inhibit). Under these conditions the power stage is disabled in order to stop the transfer of energy to the load as quickly as possible. The shutdown state can be entered from the soft-start or active regulation states either through user intervention (deasserting RUN $_n$  or the PMBus OPERATION command) or in response to a detected fault or an external fault via the bidirectional  $\overline{\text{GPIO}}_n$  pins, or loss of SHARE\_CLK (if bit 2 of MFR\_CHAN\_CONFIG\_LTC3880 is set to a 1) or VIN falling below the VIN\_OFF threshold.

In hiccup mode, the controller responds to a fault by shutting down and entering the inactive state for a programmable delay time (MFR\_RETRY\_DELAY).

## OPERATION

This delay minimizes the duty cycle associated with autonomous retries if the fault that caused the shutdown disappears once the output is disabled. The retry delay time is determined by the longer of the MFR\_RETRY\_DELAY command or the time required for the regulated output to decay below 12.5% of the programmed value. If multiple outputs are controlled by the same GPIO pin, the decay time of the faulted output determines the retry delay. If the natural decay time of the output is too long, it is possible to remove the voltage requirement of the MFR\_RETRY\_DELAY command by asserting bit 0 of MFR\_CHAN\_CONFIG\_LTC3880. Alternatively, the controller can be configured so that it remains latched-off following a fault and clearing requires user intervention such as toggling RUN $n$  or commanding the part OFF then ON.

### LIGHT LOAD CURRENT OPERATION

The LTC3880 has three modes of operation including high efficiency Burst Mode operation, discontinuous conduction mode or forced continuous conduction mode. Mode selection is done using the MFR\_PWM\_MODE\_LTC3880 command (discontinuous conduction is always the start-up mode, forced continuous is the default running mode).

In Burst Mode operation the peak current in the inductor is set to approximately one-third of the maximum sense voltage even though the voltage on the I<sub>TH</sub> pin indicates a lower value. If the average inductor current is higher than the load current, the error amplifier, EA, will decrease the voltage on the I<sub>TH</sub> pin. When the I<sub>TH</sub> voltage drops below approximately 0.5V, the internal Burst Mode operation asserts and both external MOSFETs are turned off. In Burst Mode operation, the load current is supplied by the output capacitor. As the output voltage decreases, the EA output begins to rise. When the output voltage drops sufficiently, Burst Mode operation is deasserted, and the controller resumes normal operation by turning on the top external MOSFET on the next PWM cycle.

If a controller is enabled for Burst Mode operation, the inductor current is not allowed to reverse. The reverse current comparator, I<sub>REV</sub>, turns off the bottom gate external MOSFET just before the inductor current reaches zero,

preventing it from reversing and going negative. Thus, the controller can operate in discontinuous operation. In forced continuous operation, the inductor current is allowed to reverse at light loads or under large transient conditions. The peak inductor current is determined solely by the voltage on the I<sub>TH</sub> pin. In this mode, the efficiency at light loads is lower than in Burst Mode operation. However, continuous mode exhibits lower output ripple and less interference with audio circuitry. Forced continuous conduction mode may result in reverse inductor current, which can cause the input supply to boost. The VIN\_OV\_FAULT\_LIMIT can detect this and turn off the offending channel. However, this fault is based on an ADC read and can take up to 90ms to detect. If there is a concern about the input supply boosting, keep the part in discontinuous conduction or Burst Mode operation.

If the part is set to Burst Mode operation, as the inductor average current increases, the controller will automatically modify the operation from Burst Mode operation, to discontinuous mode to continuous mode.

### SWITCHING FREQUENCY AND PHASE

The switching frequency of the LTC3880's controller can be established with internal clock references or with an external time-base. The LTC3880 can be configured for an external clock input through the programmed value in NVM, a PMBus command or setting the R<sub>BOTTOM</sub> resistor of the FREQ\_CFG pin to 0Ω and the R<sub>TOP</sub> to open. The PMBus command FREQUENCY\_SWITCH is set to external clock. The MFR\_PWM\_CONFIG\_LTC3880 command determines the relative phasing. Using the RCONFIG input, channel 0 and channel 1 have a relative phasing of 0° and 180° with respect to the falling edge of SYNC. The master should be selected to be out of phase with the slave. Both RUN pins must be low or both channels commanded off before the FREQUENCY and MFR\_PWM\_CONFIG\_LTC3880 commands can be written to the LTC3880. The relative phasing of all devices in a PolyPhase rail should be optimally phased. The relative phasing of each rail is 360/n where n is the number of phases in the rail.

If the LTC3880 is configured as the oscillator output on SYNC, the switching frequency source can be selected with

## OPERATION

either external configuration resistors or through serial bus programming. The `FREQ_CFG` configuration resistor pin can be used to select the `FREQUENCY_SWITCH` and `MFR_PWM_CONFIG_LTC3880` values as outlined in Table 14. Otherwise, the `FREQUENCY_SWITCH` and `MFR_PWM_CONFIG_LTC3880` PMBus commands can be used to select PWM switching frequency and the PWM channel phase relationship. The phase and frequency relationships are completely independent of each other providing the numerous application options for the user. If the LTC3880 is configured to drive the `SYNC` pin using the programmed `FREQUENCY_SWITCH` command value, the `SYNC` pin will pull low at the desired clock rate with 500ns low pulse. Care must be taken in the application to assure the capacitance on `SYNC` is minimized to assure the pull-up resistor versus the capacitor load has a low enough time constant for the application. In addition, a phase-locked loop (PLL) is available to synchronize the internal oscillator to an external clock source that is connected to the `SYNC` pin. All phase relationships are between the falling edge of `SYNC` and the rising edge of the LTC3880 TG outputs. Multiple LTC3880s can be synchronized in order to realize PolyPhase arrays.

## OUTPUT VOLTAGE SENSING

The channel 0 differential amplifier allows remote, differential sensing of the load voltage with  $V_{SENSE0n}$  pins. The channel 1 sense pin ( $V_{SENSE1}$ ) is referenced to `SGND`. The telemetry ADC is fully differential and makes measurements of channels 0 and 1 output voltages at the  $V_{SENSE0n}$  and  $V_{SENSE1}/SGND$  pins, respectively. Due to head room limitations of the internal amplifier for  $V_{SENSE0}$ , the maximum allowed differential sense voltage is 4.096V.

## CURRENT SENSING

For DCR current sense applications, a resistor in series with a capacitor is placed across the inductor. In this configuration, the resistor is tied to the FET side of the inductor while the capacitor is tied to the load side of the inductor as shown in Figure 3. If the RC values are chosen such that the RC time constant matches the inductor time constant ( $L/DCR$ , where DCR is the inductor series resistance), the resultant voltage ( $V_{DCR}$ ) appearing across the capacitor will equal the voltage across the inductor series resistance and thus represent the current flowing through the inductor. The RC calculations are based on the room temperature DCR of the inductor.

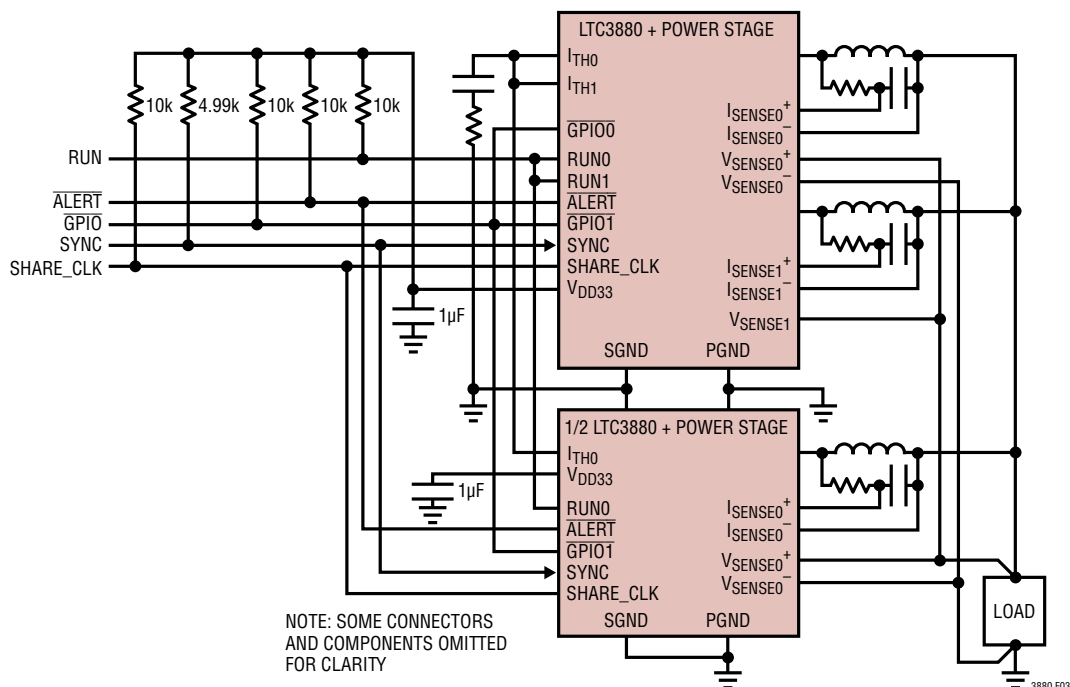


Figure 3. Load Sharing Connections for 3-Phase Operation

## OPERATION

The RC time constant should remain constant, as a function of temperature. This assures the transient response of the circuit is the same regardless of the temperature. The DCR of the inductor has a large temperature coefficient, approximately 3900ppm/°C. The temperature coefficient of the inductor must be written to the MFR\_IOUT\_CAL\_GAIN\_TC register. The external temperature is sensed near the inductor and used to modify the internal current limit circuit to maintain an essentially constant current limit with temperature. In this application, the  $I_{SENSE_n^+}$  pin is connected to the FET side of the capacitor while the  $I_{SENSE_n^-}$  pin is placed on the load side of the capacitor. The current sensed from the input is then given by the expression  $V_{DCR}/DCR$ .  $V_{DCR}$  is digitized by the LTC3880's telemetry ADC with an input range of  $\pm 128mV$ , a noise floor of  $7\mu V_{RMS}$ , and a peak-peak noise of approximately 46.5 $\mu V$ . The LTC3880 computes the inductor current using the DCR value stored in the IOUT\_CAL\_GAIN command and the temperature coefficient stored in command MFR\_IOUT\_CAL\_GAIN\_TC. The resulting current value is returned by the READ\_IOUT command.

## LOAD SHARING

Multiple LTC3880's can be arrayed in order to provide a balanced load-share solution by bussing the necessary pins. Figure 3 illustrates the shared connections required for load sharing.

The frequency must only be programmed on one of the LTC3880s. The other(s) must be programmed to External Clock.

## EXTERNAL/INTERNAL TEMPERATURE SENSE

External temperature can be best measured using a remote diode-connected PNP transistor such as the MMBT3906. The emitter should be connected to the TSNS $_n$  pin while the base and collector terminals of the PNP transistor should be returned to the LTC3880's SGND pin, preferably using a star connection. It is possible to connect the collector of the PNP to the source of the bottom MOSFET. This may optimize board layout allowing the PNP closer proximity to the power

FETs. The base of the PNP must still be tied to signal ground. For best noise immunity, the connections should be routed differentially and a 10nF capacitor should be placed in parallel with the diode connected PNP. Two different currents are applied to the diode (nominally 2 $\mu A$  and 32 $\mu A$ ) and the temperature is calculated from the  $\Delta V_{BE}$  measurement. The external transistor temperature is digitized by the telemetry ADC, and the value is returned by the PMBus READ\_TEMPERATURE\_1 (Ch $_n$ ) command.

The READ\_TEMPERATURE\_2 command returns the junction temperature of the LTC3880 using an on-chip diode. The slope of the external temperature sensor can be modified with the temperature slope coefficient stored in MFR\_TEMP\_1\_GAIN. Typical PNPs require temperature slope adjustments slightly less than 1. The MMBT3906 has a recommended value in this command of approximately MFR\_TEMP\_1\_GAIN = 0.991 based on the ideality factor of 1.01. Simply invert the ideality factor to calculate the MFR\_TEMP\_1\_GAIN. Different manufacturers and different lots may have different ideality factors. Consult with the manufacturer to set this value.

The offset of the external temperature sense can be adjusted by MFR\_TEMP\_1\_OFFSET. A value of 0 in this register sets the temperature offset to  $-273.15^{\circ}C$ .

If the PNP cannot be placed in direct contact with the inductor, the slope or offset can be increased to account for temperature mismatches. If the user is adjusting the slope, the intercept point is at absolute zero,  $-273.15^{\circ}C$ , so small adjustments in slope can change the apparent measured temperature significantly. Another way to artificially increase the slope of the temperature term is to increase the MFR\_IOUT\_CAL\_GAIN\_TC term. This will modify the temperature slope with respect to room temperature.

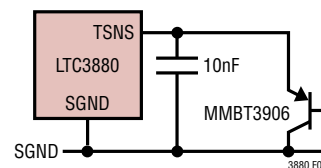


Figure 4. Temperature Sense Circuit

## OPERATION

### RCONFIG (RESISTOR CONFIGURATION) PINS

There are six input pins utilizing 1% resistor dividers between  $V_{DD25}$  and SGND to select key operating parameters. The pins are ASEL,  $FREQ\_CFG$ ,  $V_{OUT0\_CFG}$ ,  $V_{OUT1\_CFG}$ ,  $V_{TRIM0\_CFG}$  and  $V_{TRIM1\_CFG}$ . If pins are floated, the value stored in the corresponding NVM command is used. If bit 6 of the  $MFR\_CONFIG\_ALL\_LTC3880$  configuration command is asserted in NVM, the resistor inputs are ignored upon power-up except for ASEL which is always respected. The resistor configuration pins are only measured during a power-up reset or after an  $MFR\_RESET$  command is executed.

The  $V_{OUTn\_CFG}$  and  $V_{TRIMn}$  pin settings are described in Tables 12 and 13. These pins select the output voltages for the LTC3880's analog PWM controllers. If both pins are open, the  $VOUT\_COMMAND$  command is loaded from NVM to determine the output voltage.

The following parameters are set as a percentage of the output voltage if the RCONFIG pins are used to determined output voltage:

■ $VOUT\_OV\_FAULT\_LIMIT$ .....	+10%
■ $VOUT\_OV\_WARN$ .....	+7.5%
■ $VOUT\_MAX$ .....	+7.5%
■ $VOUT\_MARGIN\_HI$ .....	+5%
■ $POWER\_GOOD\_ON$ .....	-7%
■ $POWER\_GOOD\_OFF$ .....	-8%
■ $VOUT\_MARGIN\_LO$ .....	-5%
■ $VOUT\_UV\_WARN$ .....	-6.5%
■ $VOUT\_UV\_FAULT\_LIMIT$ .....	-7%

The  $FREQ\_CFG$  pin settings are described in Table 14. This pin selects the switching frequency and phase relationships between the two channels and SYNC pin. To synchronize to an external clock, the part must be put into external clock mode ( $FREQ\_CFG$  pin shorted to ground). If no external clock is supplied, the part will clock at the lowest free-running frequency of the internal PWM oscillator. This low clock rate will increase the ripple current of the inductor possibly producing undesirable operation. If the external SYNC signal is missing or misbehaving, a "PLL Lock Status" fault will be indicated in the  $STATUS\_MFR\_SPECIFIC$  command. If the user does not wish to see the  $PLL\_FAULT$  even if there is not a valid synchronization signal at power up, bit 3 of the  $MFR\_CONFIG\_ALL\_LTC3880$  command

must be asserted. If the SYNC pin is connected between multiple ICs only one of the ICs can be the oscillator, all other ICs must be configured to external clock.

The ASEL pin settings are described in Table 15. This pin selects the bottom 4 bits of the slave address for the LTC3880. The 3 most significant bits are retrieved from the NVM  $MFR\_ADDRESS$  command. If the pin is floating, the 7-bit value stored in NVM  $MFR\_ADDRESS$  command is used to determine the slave address. For more detail, refer to Table 15a.

Note: Per the PMBus specification, pin programmed parameters can be overridden by commands from the digital interface with the exception of ASEL which is always honored. Do not set any part address to 0x5A or 0x5B because these are global addresses and all parts will respond to them.

### FAULT DETECTION AND HANDLING

A variety of fault and warning reporting and handling mechanisms are available. Fault and warning detection capabilities include:

- Input OV/FAULT Protection and UV Warning
- Average Input OC Warn
- Output OV/UV Fault and Warn Protection
- Output OC Fault and Warn Protection
- Internal and External Overtemperature Fault Protection
- External Undertemperature Fault and Warn Protection
- CML Fault (Communication, Memory or Logic)
- External Fault Detection via the Bidirectional  $\overline{GPIO}n$  Pins.

In addition, the LTC3880 can map any combination of fault indicators to their respective  $\overline{GPIO}n$  pin using the propagate  $\overline{GPIO}n$  response commands,  $MFR\_GPIO\_PROPAGATE\_LTC3880$ . Typical usage of a  $\overline{GPIO}$  pin is as a driver for an external crowbar device, overtemperature alert, overvoltage alert or as an interrupt to cause a microcontroller to poll the fault commands. Alternatively, the  $\overline{GPIO}n$  pins can be used as inputs to detect external faults downstream of the controller that require an immediate response. The  $\overline{GPIO}0$  and/or

## OPERATION

$\overline{\text{GPIO1}}$  pins can also be configured as power good outputs (by asserting bit 12 of `MFR_GPIO_PROPAGATE_LTC3880`). Power good indicates the controller output is above the UV threshold. At power-up the pin will initially be three-state. Traditionally PGOOD also includes the OV threshold. Assert bit 0 of `MFR_GPIO_PROPAGATE_LTC3880` if this is desired. If it is necessary to have the desired polarity on the pin at power-up in this configuration, attach a Schottky diode between the RUN pin of the propagated power good signal and the  $\overline{\text{GPIO}}$  pin. The Cathode must be attached to RUN and the Anode to the  $\overline{\text{GPIO}}$  pin. If the  $\overline{\text{GPIO}}$  pin is set to a power good status, the `MFR_GPIO_RESPONSE` must be ignore otherwise there is a latched off condition with the controller.

As described in the Soft-Start section, it is possible to control start-up through concatenated events. If  $\overline{\text{GPIO}n}$  is used to drive the RUN pin of another controller, the unfiltered `VOUT_UV` fault limit (PGOOD) should be mapped to the  $\overline{\text{GPIO}}$  pin.

Any fault or warning event will cause the  $\overline{\text{ALERT}}$  pin to assert low. The pin will remain asserted low until the `CLEAR_FAULTS` command is issued, the fault bit is written to a 1 or bias power is cycled or a `MFR_RESET` command is issued. Channel specific faults are cleared if the RUN pins are toggled OFF/ON or the part is commanded OFF/ON via PMBus. If bit 0 of `MFR_CONFIG_ALL_LTC3880` is set to a 1, toggling the RUN pins OFF/ON clears all faults. The `MFR_GPIO_PROPAGATE_LTC3880` command determines if the  $\overline{\text{GPIO}}$  pins are pulled low when a fault is detected; however, the  $\overline{\text{ALERT}}$  pin is always pulled low if a fault or warning is detected and the status bits are updated.

Output and input fault event handling is controlled by the corresponding fault response byte as specified in Tables 5 to 9. Shutdown recovery from these types of faults can either be autonomous or latched. For autonomous recovery, the faults are not latched, so if the fault condition is not present after the retry interval has elapsed, a new soft-start is attempted. If the fault persists, the controller will continue to retry. The retry interval is specified by the `MFR_RETRY_DELAY` command and prevents damage to the regulator components by repetitive power cycling, assuming the fault condition itself is not immediately

destructive. The `MFR_RETRY_DELAY` must be greater than 120ms. It can not exceed 83.88 seconds.

Channel-to-channel fault dependencies can be created by connecting  $\overline{\text{GPIO}n}$  pins together. In the event of an internal fault, one or more of the channels is configured to pull the bussed  $\overline{\text{GPIO}n}$  pins low. The other channels are then configured to shut down when the  $\overline{\text{GPIO}n}$  pins are pulled low. For autonomous group retry, the faulted channel is configured to let go of the  $\overline{\text{GPIO}n}$  pin(s) after a retry interval, assuming the original fault has cleared. All the channels in the group then begin a soft-start sequence. If the fault response is `LATCH_OFF`, the  $\overline{\text{GPIO}}$  pin remains asserted low until either the RUN pin is toggled OFF/ON or the part is commanded OFF/ON. The toggling of the RUN either by the pin or OFF/ON command will clear faults associated with the channel. If it is desired to have all faults cleared when either RUN pin is toggled, set bit 0 of `MFR_CONFIG_ALL_LTC3880` to a 1.

The status of all faults and warnings is summarized in the `STATUS_WORD` and `STATUS_BYTE` commands.

Additional fault detection and handling capabilities are:

### Internal Memory with CRC and ECC

The LTC3880 contains internal EEPROM with error correction coding (ECC) to store user configuration settings and fault log information. EEPROM endurance and retention for user space and fault log pages are specified in the Absolute Maximum Ratings and Electrical Characteristics table.

The integrity of the NVM memory is checked with a CRC calculation each time its data is to be read, such as after a power-on reset. A CRC failure will prevent the controller from leaving the inactive state. If a CRC failure occurs, the `CML` bit is set in the `STATUS_BYTE` and `STATUS_WORD` commands, the appropriate bit is set in the `STATUS_MFR_SPECIFIC` command, and the  $\overline{\text{ALERT}}$  and RUN pins will be pulled low. At that point, the device will respond at special address 0x7C, which is only activated after an invalid CRC has been detected. The chip will also respond to global addresses 0x5A and 0x5B, but all LTC PSM chips will respond to these addresses so users must be careful when using global addresses. NVM repair can be attempted

## OPERATION

by writing the desired configuration to the controller and executing a STORE\_USER\_ALL command followed by a CLEAR\_FAULTS command. Contact the factory if EEPROM repair is unsuccessful.

See the Applications Information section or contact the factory for details on efficient in-system EEPROM programming, including bulk EEPROM programming, which the LTC3880 also supports.

## SERIAL INTERFACE

The LTC3880 serial interface is a PMBus compliant slave device and can operate at any frequency between 10kHz and 400kHz. The address is configurable using either the NVM or an external resistor divider. In addition the LTC3880 always responds to the global broadcast address of 0x5A (7 bit) or 0x5B (7 bit). Address 0x5A is not paged and is performed on both channels. 0x5B respects the page command. Because address 0x5A does not support page, it can not be used for any paged reading commands.

The serial interface supports the following protocols defined in the PMBus specifications: 1) send command, 2) write byte, 3) write word, 4) group, 5) read byte, 6) read word and 7) read block. All read operations will return a valid PEC if the PMBus master requests it. If the PEC\_REQUIRED bit is set in the MFR\_CONFIG\_ALL\_LTC3880 command, the PMBus write operations will not be acted upon until a valid PEC has been received by the LTC3880.

## Communication Failure

PEC write errors (if PEC\_REQUIRED is active), attempts to access unsupported commands, or writing invalid data to supported commands will result in a CML fault. The CML bit is set in the STATUS\_BYTE and STATUS\_WORD commands, the appropriate bit is set in the STATUS\_CML command, and the ALERT pin is pulled low.

## DEVICE ADDRESSING

The LTC3880 offers five different types of addressing over the PMBus interface, specifically: 1) global, 2) device, 3) channel, 4) rail addressing and 5) alert response address (ARA).

Global addressing provides a means of the PMBus master to address all LTC3880 devices on the bus. The LTC3880 global address is fixed 0x5A (7 bit) or 0xB4 (8 bit) and cannot be disabled. Commands sent to the global address act the same as if PAGE is set to a value of 0xFF. Commands sent are written to both channels simultaneously. Global command 0x5B (7 bit) or 0xB6 (8 bit) is paged and allows channel specific command of all LTC3880 devices on the bus.

Device addressing provides the standard means of the PMBus master communicating with a single instance of an LTC3880. The value of the device address is set by a combination of the ASEL configuration pin and the MFR\_ADDRESS command. When this addressing means is used, the PAGE command determines the channel being acted upon. Device addressing can be disabled by writing a value of 0x80 to the MFR\_ADDRESS.

Channel addressing provides a means for the PMBus master addressing a single channel of the LTC3880 without using the PAGE command. The value assigned to the paged MFR\_CHANNEL\_ADDRESS determines the specific channel the user wishes to act upon. Example: If MFR\_CHANNEL\_ADDRESS for page 0 is set to 0x57 and the MFR\_CHANNEL\_ADDRESS for page 1 is set to 0x54, the user can address channel 0 of the device by performing PMBus device commands using address 0x57 (7 bit). The user can address channel 1 of the device by performing PMBus device commands using address 0x54 (7 bit). This eliminates the user from first assigning the PAGE command and then the command to be acted upon.

Rail addressing provides a means for the PMBus master addressing a set of channels connected to the same output rail, simultaneously. This is similar to global addressing, however, the PMBus address can be dynamically assigned by using the MFR\_RAIL\_ADDRESS command. The MFR\_RAIL\_ADDRESS is paged, so channels can be independently assigned to a specific rail. It is recommended that rail addressing should be limited to command write operations.

All five means of PMBus addressing require the user to employ disciplined planning to avoid addressing conflicts.

## OPERATION

### RESPONSES TO $V_{OUT}$ AND $I_{OUT}$ FAULTS

$V_{OUT}$  OV and UV conditions are monitored by comparators. The OV and UV limits are set in three ways.

- As a Percentage of the  $V_{OUT}$  if Using the Resistor Configuration Pins
- In NVM if Either Programmed at the Factory or Through the GUI
- By PMBus Command

The  $I_{IN}$  and  $I_{OUT}$  overcurrent monitors are performed by ADC readings and calculations. Thus these values are based on average currents and can have a time latency of up to 90ms. The  $I_{OUT}$  calculation accounts for the sense resistor and the temperature coefficient of the resistor. The input current is equal to the sum of output current times the respective channel duty cycle plus the input offset current for each channel. If this calculated input current exceed the  $I_{IN\_OC\_WARN\_LIMIT}$  the  $\overline{ALERT}$  pin is pulled low and the  $I_{IN\_OC\_WARN}$  bit is asserted in the  $STATUS\_INPUT$  register.

The digital processor within the LTC3880 provides the ability to ignore the fault, shut down and latch off or shut down and retry indefinitely (hiccup). The retry interval is set in  $MFR\_RETRY\_DELAY$  and can be from 120ms to 83.88 seconds in 1ms increments. The shutdown for OV/UV and OC can be done immediately or after a user selectable deglitch time.

### Output Overvoltage Fault Response

A programmable overvoltage comparator (OV) guards against transient overshoots as well as long-term overvoltages at the output. In such cases, the top MOSFET is turned off and the bottom MOSFET is turned on until the overvoltage condition is cleared *regardless of the PMBus  $V_{OUT\_OV\_FAULT\_RESPONSE}$  command byte value*. This hardware level fault response delay is typically 2 $\mu$ s from the overvoltage condition to BG asserted high. Using the

$V_{OUT\_OV\_FAULT\_RESPONSE}$  command, the user can select any of the following behaviors:

- OV Pull-Down Only (OV cannot be ignored)
- Shut Down (Stop Switching) Immediately—Latch Off
- Shut Down Immediately—Retry Indefinitely at the Time Interval Specified in  $MFR\_RETRY\_DELAY$

Either the Latch Off or Retry fault responses can be deglitched in increments of (0-7) • 10 $\mu$ s. See Table 5.

### Output Undervoltage Response

The response to an undervoltage comparator output can be either:

- Ignore
- Shut Down Immediately—Latch Off
- Shut Down Immediately—Retry Indefinitely at the Time Interval Specified in  $MFR\_RETRY\_DELAY$

The UV responses can be deglitched. See Table 6.

### Peak Output Overcurrent Fault Response

Due to the current mode control algorithm, peak output current across the inductor is always limited on a cycle by cycle basis. The value of the peak current limit is specified in sense voltage in the EC table. The current limit circuit operates by limiting the  $I_{TH}$  maximum voltage. If DCR sensing is used, the  $I_{TH}$  maximum voltage has a temperature dependency directly proportional to the TC of the DCR of the inductor. The LTC3880 automatically monitors the external temperature sensors and modifies the maximum allowed  $I_{TH}$  to compensate for this term.

The overcurrent fault processing circuitry can execute the following behaviors:

- Current Limit Indefinitely
- Shut Down Immediately—Latch Off
- Shut Down Immediately—Retry Indefinitely at the Time Interval Specified in  $MFR\_RETRY\_DELAY$

## OPERATION

The overcurrent responses can be deglitched in increments of (0-7) • 16ms. See Table 7

### RESPONSES TO TIMING FAULTS

TON\_MAX\_FAULT\_LIMIT is the time allowed for V<sub>OUT</sub> to rise and settle at start-up. The TON\_MAX\_FAULT\_LIMIT condition is predicated upon detection of the VOUT\_UV\_FAULT\_LIMIT as the output is undergoing a SOFT\_START sequence. The TON\_MAX\_FAULT\_LIMIT time is started after TON\_DELAY has been reached and a SOFT\_START sequence is started. The resolution of the TON\_MAX\_FAULT\_LIMIT is 10μs. If the VOUT\_UV\_FAULT\_LIMIT is not reached within the TON\_MAX\_FAULT\_LIMIT time, the response of this fault is determined by the value of the TON\_MAX\_FAULT\_RESPONSE command value. This response may be one of the following:

- Ignore
- Shut Down (Stop Switching) Immediately—Latch Off
- Shut Down Immediately—Retry Indefinitely at the Time Interval Specified in MFR\_RETRY\_DELAY

This fault response is not deglitched. A value of 0 in TON\_MAX\_FAULT\_LIMIT means the fault is ignored. The TON\_MAX\_FAULT\_LIMIT should be set longer than the TON\_RISE time. It is recommended TON\_MAX\_FAULT\_LIMIT always be set to a non-zero value, otherwise the output may never come up and no flag will be set to the user.

See Table 9.

### RESPONSES TO V<sub>IN</sub> OV FAULTS

V<sub>IN</sub> overvoltage is measured with the MUX'd ADC; therefore, the response is naturally deglitched by the 90ms typical response time of the ADC. The fault responses are:

- Ignore
- Shut Down Immediately—Latch Off
- Shut Down Immediately—Retry Indefinitely at the Time Interval Specified in MFR\_RETRY\_DELAY

See Table 9.

### RESPONSES TO OT/UT FAULTS

#### Overtemperature Fault Response—Internal

An internal temperature sensor protects against NVM damage. Above 85°C, no writes to NVM are recommended. Above 130°C, the part disables the NVM and does not re-enable until the temperature has dropped to 120°C. Temperature is measured by the ADC. Internal temperature faults cannot be ignored. Internal temperature limits cannot be adjusted by the user.

See Table 9.

#### Overtemperature and Undertemperature Fault Response—Externals

Two external temperature sensors can be used to sense critical circuit elements like inductors and power MOSFETs. The OT\_FAULT\_RESPONSE and UT\_FAULT\_RESPONSE commands are used to determine the appropriate response to an overtemperature and undertemperature condition, respectively. If no external sense elements are used (not recommended) set the UT\_FAULT\_RESPONSE to ignore and set the UT\_FAULT\_LIMIT to -275°C.

The fault responses are:

- Ignore
- Shut Down Immediately—Latch Off
- Shut Down Immediately—Retry Indefinitely at the Time Interval Specified in MFR\_RETRY\_DELAY

See Table 9.

### RESPONSES TO EXTERNAL FAULTS

When either  $\overline{\text{GPIO}}_n$  pin is pulled low, the OTHER bit is set in the STATUS\_WORD command, the appropriate bit is set in the STATUS\_MFR\_SPECIFIC command, and the  $\overline{\text{ALERT}}$  pin is pulled low. Responses are not deglitched. Each channel can be configured to ignore or shut down then retry in response to its  $\overline{\text{GPIO}}_n$  pin going low by modifying the MFR\_GPIO\_RESPONSE command. To avoid the  $\overline{\text{ALERT}}$  pin asserting low when  $\overline{\text{GPIO}}$  is pulled low, assert bit 1 of MFR\_CHAN\_CONFIG\_LTC3880.

## OPERATION

### FAULT LOGGING

The LTC3880 has fault logging capability. Data is logged into memory in the order shown in Table 11. The data to be stored in the fault log is being continuously stored in internal volatile memory. When a fault event occurs, the recording into internal volatile memory is halted, the fault log information is available from the MFR\_FAULT\_LOG command, and the contents of the internal memory are copied into NVM. Fault logging is allowed at temperatures above 85°C; however, retention of 10 years is not guaranteed. When the die temperature exceeds 130°C the fault logging is delayed until the die temperature drops below 120°C. After the fault condition that created the fault log event has been removed, clear the fault before the fault log data is erased, or else the part will immediately issue another fault log.

When the LTC3880 powers-up, it checks the NVM for a valid fault log. If a valid fault log exists in NVM, the “Valid Fault Log” bit in the STATUS\_MFR\_SPECIFIC command will be set and an  $\overline{\text{ALERT}}$  event will be generated. Also, fault logging will be blocked until the LTC3880 has received a MFR\_FAULT\_LOG\_CLEAR command before fault logging will be re-enabled.

The information is stored in EEPROM in the event of any fault that disables the controller on either channel. An external  $\overline{\text{GPIO}}_n$  pulling low will not trigger a fault logging event.

### BUS TIMEOUT FAILURE

The LTC3880 implements a timeout feature to avoid hanging the serial interface. The data packet timer begins at the first START event before the device address write byte. Data packet information must be completed within 25ms or the LTC3880 will three-state the bus and ignore the given data packet. Data packet information includes the device address byte write, command byte, repeat start event (if a read operation), device address byte read (if a read operation), all data bytes and the PEC byte if applicable.

The LTC3880 allows longer PMBus timeouts for block read data packets. This timeout is proportional to the length of the block read. The additional block read timeout applies primarily to the MFR\_FAULT\_LOG command. In no circumstances will the timeout period be less than the  $t_{\text{TIMEOUT\_SMB}}$  specification of 32ms (typical).

The user is encouraged to use as high a clock rate as possible to maintain efficient data packet transfer between all devices sharing the serial bus interface. The LTC3880 supports the full PMBus frequency range from 10kHz to 400kHz.

### SIMILARITY BETWEEN PMBUS, SMBUS AND I<sup>2</sup>C 2-WIRE INTERFACE

The PMBus 2-wire interface is an incremental extension of the SMBus. SMBus is built upon I<sup>2</sup>C with some minor differences in timing, DC parameters and protocol. The PMBus/SMBus protocols are more robust than simple I<sup>2</sup>C byte commands because PMBus/SMBus provide time-outs to prevent bus hangs and optional packet error checking (PEC) to ensure data integrity. In general, a master device that can be configured for I<sup>2</sup>C communication can be used for PMBus communication with little or no change to hardware or firmware. Repeat start (restart) is not supported by all I<sup>2</sup>C controllers but is required for SMBus/PMBus reads. If a general purpose I<sup>2</sup>C controller is used, check that repeat start is supported.

For a description of the minor extensions and exceptions PMBus makes to SMBus, refer to PMBus Specification Part 1 Revision 1.1: Paragraph 5: Transport.

For a description of the differences between SMBus and I<sup>2</sup>C, refer to System Management Bus (SMBus) Specification Version 2.0: Appendix B—Differences Between SMBus and I<sup>2</sup>C.

## OPERATION

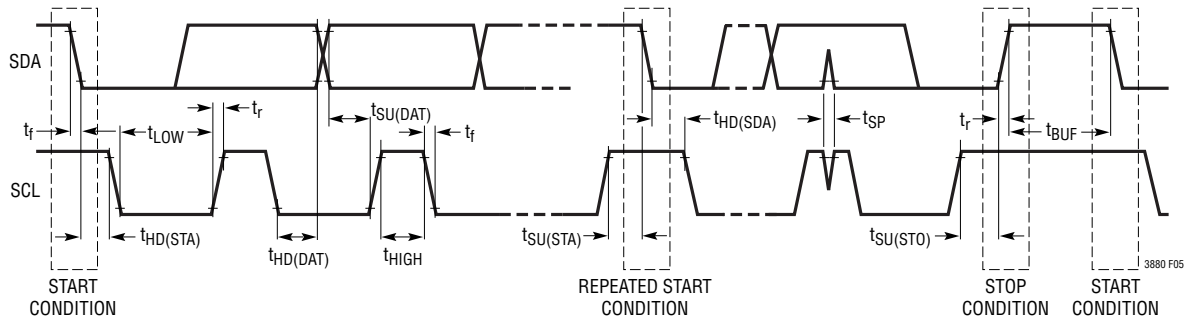


Figure 5. Timing Diagram

### PMBUS SERIAL DIGITAL INTERFACE

The LTC3880 communicates with a host (master) using the standard PMBus serial bus interface. The Timing Diagram, Figure 5, shows the timing relationship of the signals on the bus. The two bus lines, SDA and SCL, must be high when the bus is not in use. External pull-up resistors or current sources are required on these lines.

The LTC3880 is a slave device. The master can communicate with the LTC3880 using the following formats:

- Master transmitter, slave receiver
- Master receiver, slave transmitter

The following PMBus protocols are supported:

- Write Byte, Write Word, Send Byte
- Read Byte, Read Word, Block Read
- Alert Response Address

Figures 7-16 illustrate the aforementioned PMBus protocols. All transactions support PEC (parity error check) and GCP (group command protocol). The Block Read supports 255 bytes of returned data. For this reason, the PMBus timeout may be extended when reading the fault log.

Figure 6 is a key to the protocol diagrams in this section. PEC is optional.

A value shown below a field in the following figures is a mandatory value for that field.

The data formats implemented by PMBus are:

- Master transmitter transmits to slave receiver. The transfer direction in this case is not changed.
- Master reads slave immediately after the first byte. At the moment of the first acknowledgment (provided by the slave receiver) the master transmitter becomes a master receiver and the slave receiver becomes a slave transmitter.
- Combined format. During a change of direction within a transfer, the master repeats both a start condition and the slave address but with the  $R/\overline{W}$  bit reversed. In this case, the master receiver terminates the transfer by generating a NACK on the last byte of the transfer and a STOP condition.

Examples of these formats are shown in Figures 7-16.

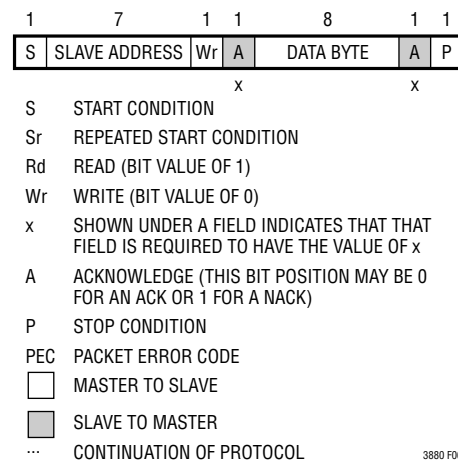
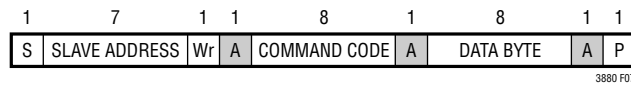


Figure 6. PMBus Packet Protocol Diagram Element Key

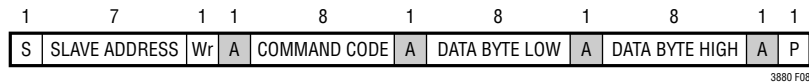
## OPERATION

**Table 1. Data Format Terminology**

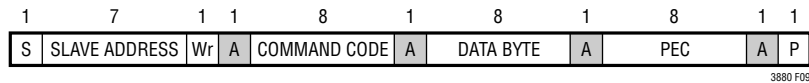
PMBus TERMINOLOGY	MEANING	TERMINOLOGY FOR: SPECS, GUI, APPLICATION NOTES	ABBREVIATIONS FOR SUMMARY COMMAND TABLE	FOR MORE DETAIL REFER TO THE DATA FORMAT SECTION OF TABLE 2
Linear	Linear	Linear_5s_11s	L11	Page 35
Linear (for Voltage Related Commands)	Linear	Linear_16u	L16	Page 35
Direct	Direct-Manufacturer Customized	DirectMfr	CF	Page 35
Hex		Hex	I16	
ASCII		ASCII	ASC	
	Register Fields	Reg	Reg	



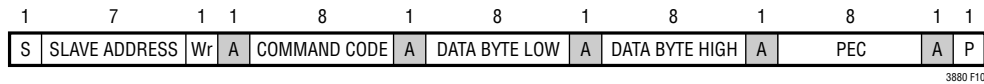
**Figure 7. Write Byte Protocol**



**Figure 8. Write Word Protocol**



**Figure 9. Write Byte Protocol with PEC**



**Figure 10. Write Word Protocol with PEC**

# OPERATION

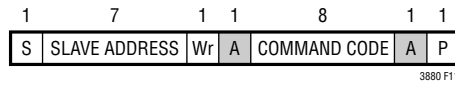


Figure 11. Send Byte Protocol

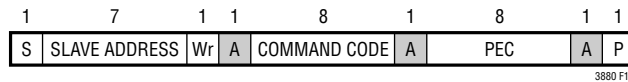


Figure 12. Send Byte Protocol with PEC

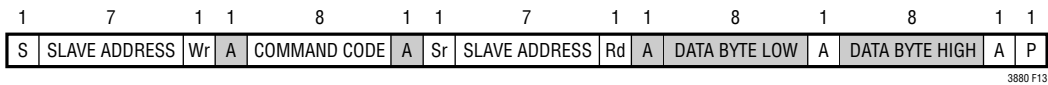


Figure 13. Read Word Protocol

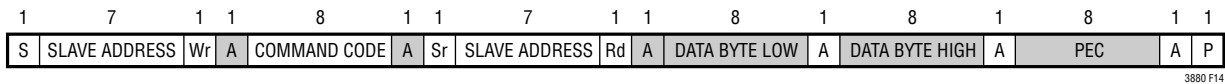


Figure 14. Read Word Protocol with PEC

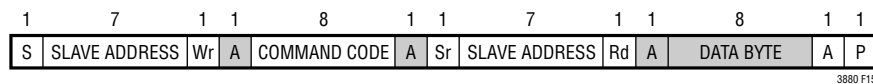


Figure 15. Read Byte Protocol

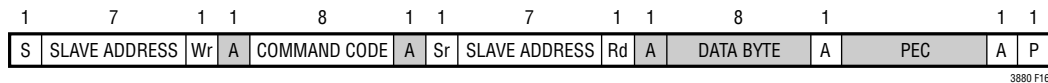


Figure 16. Read Byte Protocol with PEC

Refer to Figure 6 for a legend.

Handshaking features are included to ensure robust system communication. Please refer to the PMBus Communication and Command Processing subsection of the Applications Information section for further details.

## PMBus COMMAND SUMMARY

### PMBUS COMMANDS

The following tables list supported PMBus commands and manufacturer specific commands. A complete description of these commands can be found in the “PMBus Power System Mgt Protocol Specification – Part II – Revision 1.1”. Users are encouraged to reference this specification. Exceptions or manufacturer specific implementations are listed below in Table 2. Floating point values listed in the “DEFAULT VALUE” column are either Linear 16-bit Signed (PMBus Section 8.3.1) or Linear\_5s\_11s (PMBus Section 7.1) format, whichever is appropriate for the command. All commands from 0xD0 through 0xFF not listed in this table are implicitly reserved by the manufacturer. Users should avoid blind writes within this range of commands to avoid undesired operation of the part. All commands from 0x00 through 0xCF not listed in this table are

implicitly not supported by the manufacturer. Attempting to access non-supported or reserved commands may result in a CML command fault event. All output voltage settings and measurements are based on the VOUT\_MODE setting of 0x14. This translates to an exponent of  $2^{-12}$ .

If PMBus commands are received faster than they are being processed, the part may become too busy to handle new commands. In these circumstances the part follows the protocols defined in the PMBus Specification v1.1, Part II, Section 10.8.7, to communicate that it is busy. The part includes handshaking features to eliminate busy errors and simplify error handling software while ensuring robust communication and system behavior. Please refer to the subsection titled PMBus Communication and Command Processing in the Applications Information section for further details.

**Table 2. Summary (Note: The Data Format abbreviations are detailed at the end of this table.)**

COMMAND NAME	CMD CODE	DESCRIPTION	TYPE	PAGED	DATA FORMAT	UNITS	NVM	DEFAULT VALUE	PAGE
PAGE	0x00	Channel or page currently selected for any command that supports paging.	R/W Byte	N	Reg			0x00	<a href="#">63</a>
OPERATION	0x01	Operating mode control. On/off, margin high and margin low.	R/W Byte	Y	Reg		Y	0x80	<a href="#">67</a>
ON_OFF_CONFIG	0x02	RUN pin and PMBus bus on/off command configuration.	R/W Byte	Y	Reg		Y	0x1E	<a href="#">66</a>
CLEAR_FAULTS	0x03	Clear any fault bits that have been set.	Send Byte	N				NA	<a href="#">91</a>
WRITE_PROTECT	0x10	Level of protection provided by the device against accidental changes.	R/W Byte	N	Reg		Y	0x00	<a href="#">63</a>
STORE_USER_ALL	0x15	Store user operating memory to EEPROM.	Send Byte	N				NA	<a href="#">101</a>
RESTORE_USER_ALL	0x16	Restore user operating memory from EEPROM.	Send Byte	N				NA	<a href="#">101</a>
CAPABILITY	0x19	Summary of PMBus optional communication protocols supported by this device.	R Byte	N	Reg			0xB0	<a href="#">90</a>
VOUT_MODE	0x20	Output voltage format and exponent ( $2^{-12}$ ).	R Byte	Y	Reg			$2^{-12}$ 0x14	<a href="#">71</a>
VOUT_COMMAND	0x21	Nominal output voltage set point.	R/W Word	Y	L16	V	Y	1.0 0x1000	<a href="#">72</a>
VOUT_MAX	0x24	Upper limit on the commanded output voltage including VOUT_MARGIN_HIGH.	R/W Word	Y	L16	V	Y	4.096 ch0 0x4189 5.5 ch1 0x5800	<a href="#">71</a>
VOUT_MARGIN_HIGH	0x25	Margin high output voltage set point. Must be greater than VOUT_COMMAND.	R/W Word	Y	L16	V	Y	1.05 0x10CD	<a href="#">72</a>
VOUT_MARGIN_LOW	0x26	Margin low output voltage set point. Must be less than VOUT_COMMAND.	R/W Word	Y	L16	V	Y	0.95 0x0F33	<a href="#">72</a>
VOUT_TRANSITION_RATE	0x27	Rate the output changes when VOUT commanded to a new value.	R/W Word	Y	L11	V/ms	Y	0.25 AA00	<a href="#">78</a>

## PMBus COMMAND SUMMARY

COMMAND NAME	CMD CODE	DESCRIPTION	TYPE	PAGED	DATA FORMAT	UNITS	NVM	DEFAULT VALUE	PAGE
FREQUENCY_SWITCH	0x33	Switching frequency of the controller.	R/W Word	N	L11	kHz	Y	350 0xFABC	<a href="#">69</a>
VIN_ON	0x35	Input voltage at which the unit should start power conversion.	R/W Word	N	L11	V	Y	6.5 0xCB40	<a href="#">70</a>
VIN_OFF	0x36	Input voltage at which the unit should stop power conversion.	R/W Word	N	L11	V	Y	6.0 0xCB00	<a href="#">70</a>
IOUT_CAL_GAIN	0x38	The ratio of the voltage at the current sense pins to the sensed current. For devices using a fixed current sense resistor, it is the resistance value in mΩ.	R/W Word	Y	L11	mΩ	Y	1.8 0xBB9A	<a href="#">74</a>
VOUT_OV_FAULT_LIMIT	0x40	Output overvoltage fault limit.	R/W Word	Y	L16	V	Y	1.1 0x119A	<a href="#">71</a>
VOUT_OV_FAULT_RESPONSE	0x41	Action to be taken by the device when an output overvoltage fault is detected.	R/W Byte	Y	Reg		Y	0xB8	<a href="#">81</a>
VOUT_OV_WARN_LIMIT	0x42	Output overvoltage warning limit.	R/W Word	Y	L16	V	Y	1.075 0x1133	<a href="#">72</a>
VOUT_UV_WARN_LIMIT	0x43	Output undervoltage warning limit.	R/W Word	Y	L16	V	Y	0.925 0x0ECD	<a href="#">73</a>
VOUT_UV_FAULT_LIMIT	0x44	Output undervoltage fault limit.	R/W Word	Y	L16	V	Y	0.9 0x0E66	<a href="#">73</a>
VOUT_UV_FAULT_RESPONSE	0x45	Action to be taken by the device when an output undervoltage fault is detected.	R/W Byte	Y	Reg		Y	0xB8	<a href="#">82</a>
IOUT_OC_FAULT_LIMIT	0x46	Output overcurrent fault limit.	R/W Word	Y	L11	A	Y	29.75 0xDBB8	<a href="#">75</a>
IOUT_OC_FAULT_RESPONSE	0x47	Action to be taken by the device when an output overcurrent fault is detected.	R/W Byte	Y	Reg		Y	0x00	<a href="#">84</a>
IOUT_OC_WARN_LIMIT	0x4A	Output overcurrent warning limit.	R/W Word	Y	L11	A	Y	20.0 0xDA80	<a href="#">76</a>
OT_FAULT_LIMIT	0x4F	External overtemperature fault limit.	R/W Word	Y	L11	C	Y	100.0 0xEB20	<a href="#">77</a>
OT_FAULT_RESPONSE	0x50	Action to be taken by the device when an external overtemperature fault is detected,	R/W Byte	Y	Reg		Y	0xB8	<a href="#">86</a>
OT_WARN_LIMIT	0x51	External overtemperature warning limit.	R/W Word	Y	L11	C	Y	85.0 0xEAA8	<a href="#">77</a>
UT_FAULT_LIMIT	0x53	External undertemperature fault limit.	R/W Word	Y	L11	C	Y	-40.0 0xE580	<a href="#">77</a>
UT_FAULT_RESPONSE	0x54	Action to be taken by the device when an external undertemperature fault is detected.	R/W Byte	Y	Reg		Y	0xB8	<a href="#">86</a>
VIN_OV_FAULT_LIMIT	0x55	Input supply overvoltage fault limit.	R/W Word	N	L11	V	Y	15.5 0xD3E0	<a href="#">70</a>
VIN_OV_FAULT_RESPONSE	0x56	Action to be taken by the device when an input overvoltage fault is detected.	R/W Byte	Y	Reg		Y	0x80	<a href="#">80</a>
VIN_UV_WARN_LIMIT	0x58	Input supply undervoltage warning limit.	R/W Word	N	L11	V	Y	6.3 0xCB26	<a href="#">70</a>
IIN_OC_WARN_LIMIT	0x5D	Input supply overcurrent warning limit.	R/W Word	N	L11	A	Y	10.0 0xD280	<a href="#">75</a>
POWER_GOOD_ON	0x5E	Output voltage at or above which a power good should be asserted.	R/W Word	Y	L16	V	Y	0.93 0x0EE1	<a href="#">73</a>

## PMBus COMMAND SUMMARY

COMMAND NAME	CMD CODE	DESCRIPTION	TYPE	PAGED	DATA FORMAT	UNITS	NVM	DEFAULT VALUE	PAGE
POWER_GOOD_OFF	0x5F	Output voltage at or below which a power good should be de-asserted.	R/W Word	Y	L16	V	Y	0.92 0x0EB8	<a href="#">73</a>
TON_DELAY	0x60	Time from RUN and/or Operation on to output rail turn-on.	R/W Word	Y	L11	ms	Y	0.0 0x8000	<a href="#">78</a>
TON_RISE	0x61	Time from when the output starts to rise until the output voltage reaches the VOUT commanded value.	R/W Word	Y	L11	ms	Y	8.0 0xD200	<a href="#">78</a>
TON_MAX_FAULT_LIMIT	0x62	Maximum time from V <sub>OUT_EN</sub> on for VOUT to cross the VOUT_UV_FAULT_LIMIT.	R/W Word	Y	L11	ms	Y	10.00 0xD280	<a href="#">78</a>
TON_MAX_FAULT_RESPONSE	0x63	Action to be taken by the device when a TON_MAX_FAULT event is detected.	R/W Byte	Y	Reg		Y	0xB8	<a href="#">83</a>
TOFF_DELAY	0x64	Time from RUN and/or Operation off to the start of TOFF_FALL ramp.	R/W Word	Y	L11	ms	Y	0.0 0x8000	<a href="#">79</a>
TOFF_FALL	0x65	Time from when the output starts to fall until the output reaches zero volts.	R/W Word	Y	L11	ms	Y	8.00 0xD200	<a href="#">79</a>
TOFF_MAX_WARN_LIMIT	0x66	Maximum allowed time, after TOFF_FALL completed, for the unit to decay below 12.5%.	R/W Word	Y	L11	ms	Y	150 0xF258	<a href="#">79</a>
STATUS_BYTE	0x78	One byte summary of the unit's fault condition.	R/W Byte	Y	Reg			NA	<a href="#">92</a>
STATUS_WORD	0x79	Two byte summary of the unit's fault condition.	R/W Word	Y	Reg			NA	<a href="#">92</a>
STATUS_VOUT	0x7A	Output voltage fault and warning status.	R/W Byte	Y	Reg			NA	<a href="#">93</a>
STATUS_IOUT	0x7B	Output current fault and warning status.	R/W Byte	Y	Reg			NA	<a href="#">93</a>
STATUS_INPUT	0x7C	Input supply fault and warning status.	R/W Byte	N	Reg			NA	<a href="#">94</a>
STATUS_TEMPERATURE	0x7D	External temperature fault and warning status for READ_TEMPERATURE_1.	R/W Byte	Y	Reg			NA	<a href="#">94</a>
STATUS_CML	0x7E	Communication and memory fault and warning status.	R/W Byte	N	Reg			NA	<a href="#">95</a>
STATUS_MFR_SPECIFIC	0x80	Manufacturer specific fault and state information.	R/W Byte	Y	Reg			NA	<a href="#">95</a>
READ_VIN	0x88	Measured input supply voltage.	R Word	N	L11	V		NA	<a href="#">98</a>
READ_IIN	0x89	Measured input supply current.	R Word	N	L11	A		NA	<a href="#">99</a>
READ_VOUT	0x8B	Measured output voltage.	R Word	Y	L16	V		NA	<a href="#">99</a>
READ_IOUT	0x8C	Measured output current.	R Word	Y	L11	A		NA	<a href="#">99</a>
READ_TEMPERATURE_1	0x8D	External diode junction temperature. This is the value used for all temperature related processing, including IOUT_CAL_GAIN.	R Word	Y	L11	C		NA	<a href="#">99</a>
READ_TEMPERATURE_2	0x8E	Internal junction temperature. Does not affect any other registers.	R Word	N	L11	C		NA	<a href="#">99</a>
READ_DUTY_CYCLE	0x94	Duty cycle of the top gate control signal.	R Word	Y	L11	%		NA	<a href="#">100</a>
READ_POUT	0x96	Measured output power.	R Word	Y	L11	W		NA	<a href="#">100</a>
PMBUS_REVISION	0x98	PMBus revision supported by this device. Current revision is 1.1.	R Byte	N	Reg			0x11	<a href="#">90</a>
MFR_ID	0x99	The manufacturer ID of the LTC3880 in ASCII.	R String	N	ASC			LTC	<a href="#">90</a>
MFR_MODEL	0x9A	Manufacturer part number in ASCII.	R String	N	ASC			LTC3880	<a href="#">90</a>
MFR_SERIAL	0x9E	Serial number of this specific unit.	R Block	N	CF			NA	<a href="#">90</a>
MFR_VOUT_MAX	0xA5	Maximum allowed output voltage.	R Word	Y	L16	V		4.096 CH0 5.5 CH1	<a href="#">73</a>
USER_DATA_00	0xB0	OEM RESERVED. Typically used for part serialization.	R/W Word	N	Reg		Y	NA	<a href="#">89</a>

## PMBus COMMAND SUMMARY

COMMAND NAME	CMD CODE	DESCRIPTION	TYPE	PAGED	DATA FORMAT	UNITS	NVM	DEFAULT VALUE	PAGE
USER_DATA_01	0xB1	Manufacturer reserved for LTpowerPlay.	R/W Word	Y	Reg		Y	NA	<a href="#">89</a>
USER_DATA_02	0xB2	OEM RESERVED. Typically used for part serialization.	R/W Word	N	Reg		Y	NA	<a href="#">89</a>
USER_DATA_03	0xB3	A NVM word available for the user.	R/W Word	Y	Reg		Y	0x0000	<a href="#">89</a>
USER_DATA_04	0xB4	A NVM word available for the user.	R/W Word	N	Reg		Y	0x0000	<a href="#">89</a>
MFR_INFO	0xB6	Manufacturing specific information.	R Word	N	Reg			NA	<a href="#">98</a>
MFR_EE_UNLOCK	0xBD	Unlock user EEPROM for access by MFR_EE_ERASE and MFR_EE_DATA commands.	R/W Byte	N	Reg			NA	<a href="#">108</a>
MFR_EE_ERASE	0xBE	Initialize user EEPROM for bulk programming by MFR_EE_DATA.	R/W Byte	N	Reg			NA	<a href="#">108</a>
MFR_EE_DATA	0xBF	Data transferred to and from EEPROM using sequential PMBus word reads or writes. Supports bulk programming.	R/W Word	N	Reg			NA	<a href="#">108</a>
MFR_CHAN_CONFIG_LTC3880	0xD0	Configuration bits that are channel specific.	R/W Byte	Y	Reg		Y	0x1F	<a href="#">65</a>
MFR_CONFIG_ALL_LTC3880	0xD1	Configuration bits that are common to all pages.	R/W Byte	N	Reg		Y	0x09	<a href="#">65</a>
MFR_GPIO_PROPAGATE_LTC3880	0xD2	Configuration that determines which faults are propagated to the GPIO pins.	R/W Word	Y	Reg		Y	0x2993	<a href="#">87</a>
MFR_PWM_MODE_LTC3880	0xD4	Configuration for the PWM engine of each channel.	R/W Byte	Y	Reg		Y	0xC2	<a href="#">68</a>
MFR_GPIO_RESPONSE	0xD5	Action to be taken by the device when the GPIO pin is externally asserted low.	R/W Byte	Y	Reg		Y	0xC0	<a href="#">89</a>
MFR_OT_FAULT_RESPONSE	0xD6	Action to be taken by the device when an internal overtemperature fault is detected.	R Byte	N	Reg			0xC0	<a href="#">85</a>
MFR_IOUT_PEAK	0xD7	Report the maximum measured value of READ_IOUT since last MFR_CLEAR_PEAKS.	R Word	Y	L11	A		NA	<a href="#">100</a>
MFR_CHANNEL_ADDRESS	0xD8	Address to the PAGE activated channel.	R/W Byte	Y	Reg		Y	0x80	<a href="#">64</a>
MFR_RETRY_DELAY	0xDB	Retry interval during FAULT retry mode.	R/W Word	Y	L11	ms	Y	350 0xFABC	<a href="#">80</a>
MFR_RESTART_DELAY	0xDC	Minimum time the RUN pin is held low by the LTC3880.	R/W Word	Y	L11	ms	Y	500 0xFBE8	<a href="#">80</a>
MFR_VOUT_PEAK	0xDD	Maximum measured value of READ_VOUT since last MFR_CLEAR_PEAKS.	R Word	Y	L16	V		NA	<a href="#">100</a>
MFR_VIN_PEAK	0xDE	Maximum measured value of READ_VIN since last MFR_CLEAR_PEAKS.	R Word	N	L11	V		NA	<a href="#">100</a>
MFR_TEMPERATURE_1_PEAK	0xDF	Maximum measured value of external Temperature (READ_TEMPERATURE_1) since last MFR_CLEAR_PEAKS.	R Word	Y	L11	C		NA	<a href="#">100</a>
MFR_CLEAR_PEAKS	0xE3	Clears all peak values.	Send Byte	N				NA	<a href="#">91</a>
MFR_PADS	0xE5	Digital status of the I/O pads.	R Word	N	Reg			NA	<a href="#">97</a>
MFR_ADDRESS	0xE6	Sets the 7-bit I <sup>2</sup> C address byte.	R/W Byte	N	Reg		Y	0x4F	<a href="#">64</a>
MFR_SPECIAL_ID	0xE7	Manufacturer code representing the LTC3880	R Word	N	Reg			402x	<a href="#">90</a>
MFR_IIN_OFFSET	0xE9	Coefficient used to add to the input current to account for the IQ of the part.	R/W Word	Y	L11	A	Y	0.050 0X9333	<a href="#">74</a>

## PMBus COMMAND SUMMARY

COMMAND NAME	CMD CODE	DESCRIPTION	TYPE	PAGED	DATA FORMAT	UNITS	NVM	DEFAULT VALUE	PAGE
MFR_FAULT_LOG_STORE	0xEA	Command a transfer of the fault log from RAM to EEPROM. This causes the part to behave as if a channel has faulted off.	Send Byte	N				NA	<a href="#">103</a>
MFR_FAULT_LOG_CLEAR	0xEC	Initialize the EEPROM block reserved for fault logging and clear any previous fault logging locks.	Send Byte	N				NA	<a href="#">107</a>
MFR_READ_IIN	0xED	Measured input current per channel	R Word	Y	L11	A		NA	<a href="#">99</a>
MFR_FAULT_LOG	0xEE	Fault log data bytes. This sequentially retrieved data is used to assemble a complete fault log.	R Block	N	Reg		Y	NA	<a href="#">103</a>
MFR_COMMON	0xEF	Manufacturer status bits that are common across multiple LTC chips.	R Byte	N	Reg			NA	<a href="#">97</a>
MFR_COMPARE_USER_ALL	0xF0	Compares current command contents with NVM.	Send Byte	N				NA	<a href="#">101</a>
MFR_TEMPERATURE_2_PEAK	0xF4	Peak internal die temperature since last MFR_CLEAR_PEAKS.	R Word	N	L11	C		NA	<a href="#">100</a>
MFR_PWM_CONFIG_LTC3880	0xF5	Set numerous parameters for the DC/DC controller including phasing.	R/W Byte	N	Reg		Y	0x10	<a href="#">68</a>
MFR_IOUT_CAL_GAIN_TC	0xF6	Temperature coefficient of the current sensing element.	R/W Word	Y	CF		Y	3900 0x0F3C	<a href="#">74</a>
MFR_TEMP_1_GAIN	0xF8	Sets the slope of the external temperature sensor.	R/W Word	Y	CF		Y	1.0 0x4000	<a href="#">76</a>
MFR_TEMP_1_OFFSET	0xF9	Sets the offset of the external temperature sensor with respect to $-273.1^{\circ}\text{C}$	R/W Word	Y	L11	C	Y	0.0 0x8000	<a href="#">76</a>
MFR_RAIL_ADDRESS	0xFA	Common address for PolyPhase outputs to adjust common parameters.	R/W Byte	Y	Reg		Y	0x80	<a href="#">64</a>
MFR_RESET	0xFD	Commanded reset without requiring a power down.	Send Byte	N				NA	<a href="#">67</a>

**Note 1:** Commands indicated with Y indicate that these commands are stored and restored using the STORE\_USER\_ALL and RESTORE\_USER\_ALL commands, respectively.

**Note 2:** Commands with a default value of NA indicate “not applicable”. Commands with a default value of FS indicate “factory set on a per part basis”.

**Note 3:** The LTC3880 contains additional commands not listed in this table. Reading these commands is harmless to the operation of the IC; however, the contents and meaning of these commands can change without notice.

**Note 4:** Some of the unpublished commands are read-only and will generate a CML bit 6 fault if written.

**Note 5:** Writing to commands not published in this table is not permitted.

**Note 6:** The user should not assume compatibility of commands between different parts based upon command names. Always refer to the manufacturer’s data sheet for each part for a complete definition of a command’s function.

LTC has made every reasonable attempt to keep command functionality compatible between parts; however, differences may occur to address product requirements.

## PMBus COMMAND SUMMARY

### \*DATA FORMAT

L11	Linear_5s_11s	<p>PMBus data field b[15:0]  Value = <math>Y \cdot 2^N</math>  where <math>N = b[15:11]</math> is a 5-bit two's complement integer and <math>Y = b[10:0]</math> is an 11-bit two's complement integer  Example:  For <math>b[15:0] = 0x9807 = 'b10011\_000\_0000\_0111</math>  Value = <math>7 \cdot 2^{-13} = 854 \cdot 10^{-6}</math>  From "PMBus Spec Part II: Paragraph 7.1"</p>
L16	Linear_16u	<p>PMBus data field b[15:0]  Value = <math>Y \cdot 2^N</math>  where <math>Y = b[15:0]</math> is an unsigned integer and <math>N = Vout\_mode\_parameter</math> is a 5-bit two's complement exponent that is hardwired to <math>-12</math> decimal  Example:  For <math>b[15:0] = 0x4C00 = 'b0100\_1100\_0000\_0000</math>  Value = <math>19456 \cdot 2^{-12} = 4.75</math>  From "PMBus Spec Part II: Paragraph 8.2"</p>
Reg	Register	<p>PMBus data field b[15:0] or b[7:0].  Bit field meaning is defined in detailed PMBus Command Register Description.</p>
I16	Integer Word	<p>PMBus data field b[15:0]  Value = <math>Y</math>  where <math>Y = b[15:0]</math> is a 16 bit unsigned integer  Example:  For <math>b[15:0] = 0x9807 = 'b1001\_1000\_0000\_0111</math>  Value = 38919 (decimal)</p>
CF	Custom Format	<p>Value is defined in detailed PMBus Command Register Description.  This is often an unsigned or two's complement integer scaled by an MFR specific constant.</p>
ASC	ASCII Format	<p>A variable length string of text characters conforming to ISO/IEC 8859-1 standard.</p>

## APPLICATIONS INFORMATION

The Typical Application on the back page is a basic LTC3880 application circuit. The LTC3880 can be configured to use either DCR (inductor resistance) sensing or low value resistor sensing. The choice between the two current sensing schemes is largely a design trade-off between cost, power consumption and accuracy. DCR sensing is becoming popular because it saves expensive current sensing resistors and is more power efficient, especially in high current applications. The LTC3880 can nominally account for the temperature dependency of the DCR sensing element. The accuracy of the current reading and current limit are typically limited by the accuracy of the DCR resistor (accounted for in the IOUT\_CAL\_GAIN parameter of the LTC3880). Thus current sensing resistors provide the most accurate current sense and limiting for the application. Other external component selection is driven by the load requirement, and begins with the selection of  $R_{SENSE}$  (if  $R_{SENSE}$  is used) and inductor value. Next, the power MOSFETs are selected. Then the input and output capacitors are selected. Finally the current limit is selected. All of these components and ranges are required to be determined prior to calculating the external compensation components. The current limit range is required because the two ranges (25mV to 50mV vs 37.5mV to 70mV) have different EA gains set with bit 7 of the MFR\_PWM\_MODE\_LTC3880 command. The voltage RANGE bit also modifies the loop gain and impacts the compensation network set with bits 5, 6 of MFR\_PWM\_CONFIG\_LTC3880. All other programmable parameters do not affect the loop gain, allowing parameters to be modified without impact to the transient response to load.

### CURRENT LIMIT PROGRAMMING

The LTC3880 has two ranges of current limit programming and a total of eight levels within each range. Refer to the IOUT\_OC\_FAULT\_LIMIT section of the PMBus commands. Within each range the error amp gain is fixed, resulting in constant loop gain. The LTC3880 will account for the DCR of the inductor and automatically update the current limit as the inductor temperature changes. The temperature coefficient of the DCR is stored in the MFR\_IOUT\_TC register.

For the best current limit accuracy, use the 75mV setting. The 25mV setting will allow for the use of very low DCR

inductors or sense resistors, but at the expense of current limit accuracy. Keep in mind this operation is on a cycle-by-cycle basis and is only a function of the peak inductor current. The average inductor current is monitored by the ADC converter and can provide a warning if too much average output current is detected. The overcurrent fault is detected when the ITH voltage hits the maximum value. The digital processor within the LTC3880 provides the ability to either ignore the fault, shut down and latch off or shut down and retry indefinitely (hiccup). Refer to the overcurrent portion of the Operation section for more detail.

### I<sub>SENSE+</sub> AND I<sub>SENSE-</sub> PINS

The I<sub>SENSE+</sub> and I<sub>SENSE-</sub> pins are the inputs to the current comparators and the A/D. The common mode input voltage range of the current comparators is 0V to 5.5V. Both the SENSE pins are high impedance inputs with small base currents typically less than 1 $\mu$ A. When the I<sub>SENSE</sub> pins ramp up from 0V to 1.4V, the small base currents flow out of the SENSE pins. When the I<sub>SENSE</sub> pins are greater than 1.4V, the base currents flow into the I<sub>SENSE</sub> pins. The high impedance inputs to the current comparators allow accurate DCR sensing. Do not float these pins during normal operation.

Filter components mutual to the I<sub>SENSE</sub> lines should be placed close to the IC. The positive and negative traces should be routed differentially and Kelvin connected to the current sense element, see Figure 17. A non-Kelvin connection elsewhere can add parasitic inductance and capacitance to the current sense element, degrading the information at the sense terminals and making the programmed current limit unpredictable. In a PolyPhase system, poor placement of the sensing element will result in sub-optimal current sharing between power stages. If DCR sensing is used (Figure 18a), sense resistor R1 should be placed close to the switching node to prevent noise from

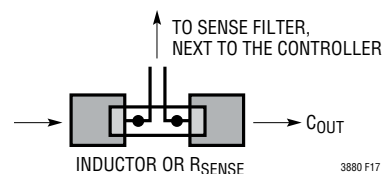


Figure 17. Optimal Sense Line Placement

## APPLICATIONS INFORMATION

coupling into sensitive small-signal nodes. The capacitor C1 should be placed close to the IC pins. This impedance difference can result in loss of accuracy in the current reading of the ADC. The current reading accuracy can be improved by matching the impedance of the two pins. To accomplish this add a series resistor between  $V_{OUT}$  and  $I_{SENSE}^-$  equal to R1. A capacitor of 1 $\mu$ F or greater should be placed in parallel with this resistor. If the peak voltage is <75mV at room temperature, R2 is not required.

### LOW VALUE RESISTOR CURRENT SENSING

A typical sensing circuit using a discrete resistor is shown in Figure 18b.  $R_{SENSE}$  is chosen based on the required output current.

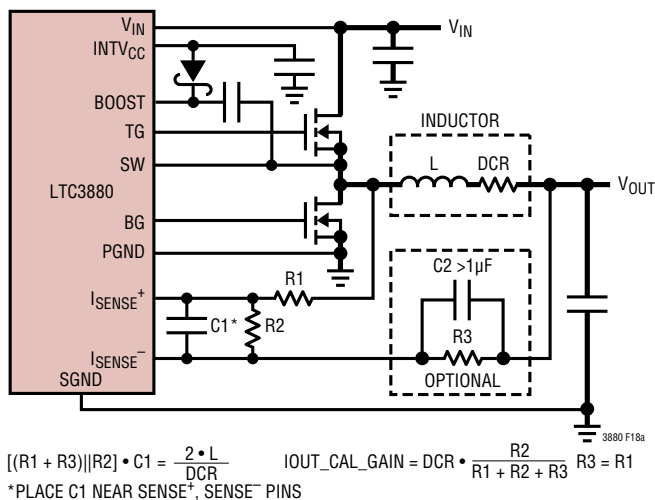


Figure 18a. Inductor DCR Current Sense Circuit

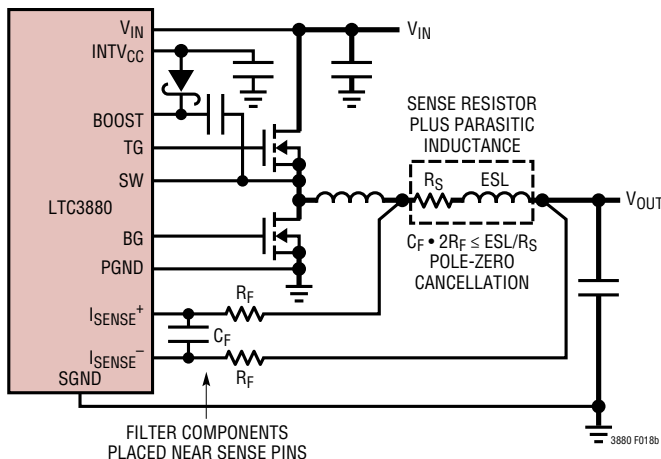


Figure 18b. Resistor Current Sense Circuit

The current comparator has a maximum threshold  $V_{SENSE(MAX)}$  determined by the  $I_{LIMIT}$  setting. The input common mode range of the current comparator is 0V to 5.5V (if  $V_{IN}$  is greater than 6V). The current comparator threshold sets the peak of the inductor current, yielding a maximum average output current  $I_{MAX}$  equal to the peak value less half the peak-to-peak ripple current  $\Delta I_L$ . To calculate the sense resistor value, use the equation:

$$R_{SENSE} = \frac{V_{SENSE(MAX)}}{I_{MAX} + \frac{\Delta I_L}{2}}$$

Due to possible PCB noise in the current sensing loop, the AC current sensing ripple of  $\Delta V_{SENSE} = \Delta I_L \cdot R_{SENSE}$  also needs to be checked in the design to get a good signal-to-noise ratio. In general, for a reasonably good PCB layout, a 15mV minimum  $\Delta V_{SENSE}$  voltage is recommended as a conservative number to start with, either for  $R_{SENSE}$  or DCR sensing applications.

For previous generation current mode controllers, the maximum sense voltage was high enough (e.g., 75mV for the LTC1628/LTC3728 family) that the voltage drop across the parasitic inductance of the sense resistor represented a relatively small error. In the new highest current density solutions; however, the value of the sense resistor can be less than 1m $\Omega$  and the peak sense voltage can be less than 20mV. In addition, inductor ripple currents greater than 50% with operation up to 1MHz are becoming more common. Under these conditions, the voltage drop across the sense resistor's parasitic inductance is no longer negligible. A typical sensing circuit using a discrete resistor is shown in Figure 18b. In previous generations of controllers, a small RC filter placed near the IC was commonly used to reduce the effects of the capacitive and inductive noise coupled in the sense traces on the PCB. A typical filter consists of two series 100 $\Omega$  resistors connected to a parallel 1000pF capacitor, resulting in a time constant of 200ns.

This same RC filter with minor modifications, can be used to extract the resistive component of the current sense signal in the presence of parasitic inductance. For example, Figure 19 illustrates the voltage waveform across a 2m $\Omega$  resistor with a 2010 footprint. The waveform is

## APPLICATIONS INFORMATION

the superposition of a purely resistive component and a purely inductive component. It was measured using two scope probes and waveform math to obtain a differential measurement. Based on additional measurements of the inductor ripple current and the on-time and off-time of the top switch, the value of the parasitic inductance was determined to be 0.5nH using the equation:

$$ESL = \frac{V_{ESL(STEP)} \cdot t_{ON} \cdot t_{OFF}}{\Delta I_L \cdot (t_{ON} + t_{OFF})} \quad (1)$$

If the RC time constant is chosen to be close to the parasitic inductance divided by the sense resistor ( $L/R$ ), the resultant waveform looks resistive, as shown in Figure 20. For applications using low maximum sense voltages, check the sense resistor manufacturer's data sheet for information about parasitic inductance. In the absence of data, measure the voltage drop directly across the sense resistor to extract the magnitude of the ESL step and use Equation 1 to determine the ESL. However, do not overfilter the signal. Keep the RC time constant less than or equal to the inductor time constant to maintain a sufficient ripple voltage on  $V_{RSENSE}$  for optimal operation of the current loop controller.

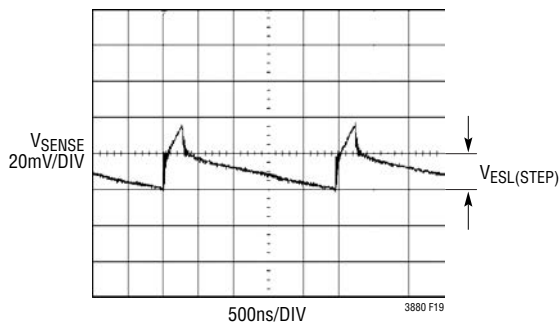


Figure 19. Voltage Measured Directly Across  $R_{SENSE}$

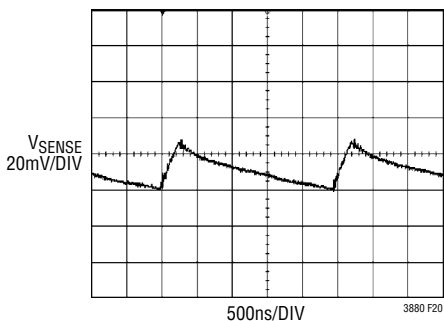


Figure 20. Voltage Measured After the  $R_{SENSE}$  Filter

## INDUCTOR DCR CURRENT SENSING

For applications requiring the highest possible efficiency at high load currents, the LTC3880 is capable of sensing the voltage drop across the inductor DCR, as shown in Figure 18a. The DCR of the inductor represents the small amount of DC winding resistance of the copper, which can be less than 1mΩ for today's low value, high current inductors. In a high current application requiring such an inductor, conduction loss through a sense resistor would cost a few points of efficiency compared to DCR sensing.

If the external  $(R1+R3)||R2 \cdot C1$  time constant is chosen to be exactly equal to the  $2 \cdot L/DCR$  time constant, assuming  $R1=R3$ , the voltage drop across the external capacitor is equal to the drop across the inductor DCR multiplied by  $R2/(R1+R2+R3)$ .  $R2$  scales the voltage across the sense terminals for applications where the DCR is greater than the target sense resistor value. The DCR value is entered as the  $IOUT\_CAL\_GAIN$  in mΩ unless  $R2$  is required. If  $R2$  is used,  $IOUT\_CAL\_GAIN = DCR \cdot R2/(R1+R2+R3)$ . If there is no need to attenuate the signal,  $R2$  can be removed. To properly dimension the external filter components, the DCR of the inductor must be known. It can be measured using a good RLC meter, but the DCR tolerance is not always the same and varies with temperature. Consult the manufacturers' data sheets for detailed information. The LTC3880 will account for temperature variation if the correct parameter is entered into the  $MFR\_IOUT\_CAL\_GAIN\_TC$  register. Typically the resistance has a 3900ppm/°C coefficient.

$C2$  can be optimized for a flat frequency response, assuming  $R1 = R3$  by the following equation

$$C2 = [2R1 \cdot R2 \cdot C1 - L/DCR \cdot (2R1+R2)]/R1^2$$

Using the inductor ripple current value from the inductor Value Calculation section, the target sense resistor value is:

$$R_{SENSE(EQUIV)} = \frac{V_{SENSE(MAX)}}{I_{MAX} + \frac{\Delta I_L}{2}}$$

To ensure that the application will deliver full load current over the full operating temperature range, be sure to pick the optimum  $I_{LIMIT}$  value accounting for errors in the DCR versus the  $MFR\_IOUT\_CAL\_GAIN$  parameter entered.

## APPLICATIONS INFORMATION

Next, determine the DCR of the inductor. Where provided, use the manufacturer's maximum value, usually given at 20°C. Increase this value to account for errors in the temperature sensing element of 3°C to 5°C and any additional errors associated with the proximity of the temperature sensor element to the inductor.

To scale the maximum inductor DCR to the desired sense resistor value, use the divider ratio:

$$RD = \frac{R_{\text{SENSE(EQUIV)}}}{\text{DCR}_{(\text{MAXERROR})} \text{ at } T_{\text{L(MAX)}}$$

C1 is usually selected to be in the range of 0.047μF to 4.7μF. This forces R1||R2 to be approximately 2k. This resistance minimizes errors caused by the SENSE pin leakage currents. Adding optional elements R3 and C2 shown in Figure 18a will minimize offset errors associated with these leakage currents.

The equivalent resistance (R1+R3)||R2 is scaled to the room temperature inductance and maximum DCR:

$$(R1 + R3) || R2 = \frac{2 \cdot L}{(\text{DCR at } 20^\circ\text{C}) \cdot C1}$$

The sense resistor values are:

$$R1 = R3; R1 = \frac{R1 || R2}{RD}; R2 = \frac{R1 \cdot RD}{1 - RD}$$

The maximum power loss in R1 is related to the duty cycle, and will occur in continuous mode at the maximum input voltage:

$$P_{\text{LOSS R1}} = \frac{(V_{\text{IN(MAX)}} - V_{\text{OUT}}) \cdot V_{\text{OUT}}}{R1}$$

Ensure that R1 has a power rating higher than this value. If high efficiency is necessary at light loads, consider this power loss when deciding whether to use DCR sensing or sense resistors. Light load power loss can be modestly higher with a DCR network than with a sense resistor due to the extra switching losses incurred through R1. However, DCR sensing eliminates a sense resistor, reducing conduction losses and provides higher efficiency at heavy loads. Peak efficiency is about the same with either method. Selecting Burst Mode operation or discontinuous

mode will improve the converter efficiency at light loads regardless of the current sensing method.

To maintain a good signal-to-noise ratio for the current sense signal, use a minimum  $\Delta V_{\text{SENSE}}$  of 10mV to 15mV. For a DCR sensing application, the actual ripple voltage will be determined by the equation:

$$\Delta V_{\text{SENSE}} = \frac{V_{\text{IN}} - V_{\text{OUT}}}{R1 \cdot C1} \cdot \frac{V_{\text{OUT}}}{V_{\text{IN}} \cdot f_{\text{OSC}}}$$

### SLOPE COMPENSATION AND INDUCTOR PEAK CURRENT

Slope compensation provides stability in constant frequency current mode architectures by preventing sub-harmonic oscillations at high duty cycles. This is accomplished internally by adding a compensation ramp to the inductor current signal at duty cycles in excess of 35%. The LTC3880 uses a patented current limit technique that counteracts the compensating ramp. This allows the maximum inductor peak current to remain unaffected throughout all duty cycles.

### INDUCTOR VALUE CALCULATION

Given the desired input and output voltages, the inductor value and operating frequency,  $f_{\text{OSC}}$ , directly determine the inductor peak-to-peak ripple current:

$$I_{\text{RIPPLE}} = \frac{V_{\text{OUT}} (V_{\text{IN}} - V_{\text{OUT}})}{V_{\text{IN}} \cdot f_{\text{OSC}} \cdot L}$$

Lower ripple current reduces core losses in the inductor, ESR losses in the output capacitors, and output voltage ripple. Thus, highest efficiency operation is obtained at the lowest frequency with a small ripple current. Achieving this, however, requires a large inductor.

A reasonable starting point is to choose a ripple current that is about 40% of  $I_{\text{OUT(MAX)}}$ . Note that the largest ripple current occurs at the highest input voltage. To guarantee that the ripple current does not exceed a specified maximum, the inductor should be chosen according to:

$$L \geq \frac{V_{\text{OUT}} (V_{\text{IN}} - V_{\text{OUT}})}{V_{\text{IN}} \cdot f_{\text{OSC}} \cdot I_{\text{RIPPLE}}}$$

## APPLICATIONS INFORMATION

### INDUCTOR CORE SELECTION

Once the inductor value is determined, the type of inductor must be selected. Core loss is independent of core size for a fixed inductor value, but it is very dependent on inductance. As the inductance increases, core losses go down. Unfortunately, increased inductance requires more turns of wire and therefore copper losses increase.

Ferrite designs have very low core loss and are preferred at high switching frequencies, so design goals can concentrate on copper loss and preventing saturation. Ferrite core materials saturate hard, which means that the inductance collapse abruptly when the peak design current is exceeded. This results in an abrupt increase in inductor ripple current and consequent output voltage ripple. Do not allow the core to saturate!

### POWER MOSFET AND SCHOTTKY DIODE (OPTIONAL) SELECTION

Two external power MOSFETs must be selected for each controller in the LTC3880: one N-channel MOSFET for the top (main) switch, and one N-channel MOSFET for the bottom (synchronous) switch.

The peak-to-peak drive levels are set by the  $V_{INTVCC}$  voltage. This voltage is typically 5V. Consequently, logic-level threshold MOSFETs must be used in most applications. The only exception is if low input voltage is expected ( $V_{IN} < 5V$ ); then, sub-logic level threshold MOSFETs ( $V_{GS(TH)} < 3V$ ) should be used. Pay close attention to the  $BV_{DSS}$  specification for the MOSFETs as well; most of the logic-level MOSFETs are limited to 30V or less.

Selection criteria for the power MOSFETs include the on-resistance,  $R_{DS(ON)}$ , Miller capacitance,  $C_{MILLER}$ , input voltage and maximum output current. Miller capacitance,  $C_{MILLER}$ , can be approximated from the gate charge curve usually provided on the MOSFET manufacturers' data sheet.  $C_{MILLER}$  is equal to the increase in gate charge along the horizontal axis while the curve is approximately flat divided by the specified change in  $V_{DS}$ . This result is then multiplied by the ratio of the application applied  $V_{DS}$  to the gate charge curve specified  $V_{DS}$ . When the IC is

operating in continuous mode the duty cycles for the top and bottom MOSFETs are given by:

$$\text{Main Switch Duty Cycle} = \frac{V_{OUT}}{V_{IN}}$$

$$\text{Synchronous Switch Duty Cycle} = \frac{V_{IN} - V_{OUT}}{V_{IN}}$$

The MOSFET power dissipations at maximum output current are given by:

$$P_{MAIN} = \frac{V_{OUT}}{V_{IN}} (I_{MAX})^2 (1 + \delta) R_{DS(ON)} + (V_{IN})^2 \left( \frac{I_{MAX}}{2} \right) (R_{DR}) (C_{MILLER}) \cdot \left[ \frac{1}{V_{INTVCC} - V_{TH(MIN)}} + \frac{1}{V_{TH(MIN)}} \right] \cdot f_{OSC}$$

$$P_{SYNC} = \frac{V_{IN} - V_{OUT}}{V_{IN}} (I_{MAX})^2 (1 + \delta) R_{DS(ON)}$$

where  $\delta$  is the temperature dependency of  $R_{DS(ON)}$  and  $R_{DR}$  (approximately  $2\Omega$ ) is the effective driver resistance at the MOSFET's Miller threshold voltage.  $V_{TH(MIN)}$  is the typical MOSFET minimum threshold voltage.

Both MOSFETs have  $I^2R$  losses while the topside N-channel equation includes an additional term for transition losses, which are highest at high input voltages. For  $V_{IN} < 20V$  the high current efficiency generally improves with larger MOSFETs, while for  $V_{IN} > 20V$  the transition losses rapidly increase to the point that the use of a higher  $R_{DS(ON)}$  device with lower  $C_{MILLER}$  actually provides higher efficiency. The synchronous MOSFET losses are greatest at high input voltage when the top switch duty factor is low or during a short-circuit when the synchronous switch is on close to 100% of the period.

The term  $(1 + \delta)$  is generally given for a MOSFET in the form of a normalized  $R_{DS(ON)}$  vs Temperature curve, but  $\delta = 0.005/^\circ\text{C}$  can be used as an approximation for low voltage MOSFETs.

## APPLICATIONS INFORMATION

The optional Schottky diodes conduct during the dead time between the conduction of the two power MOSFETs. These prevent the body diodes of the bottom MOSFETs from turning on, storing charge during the dead time and requiring a reverse recovery period that could cost as much as 3% in efficiency at high  $V_{IN}$ . A 1A to 3A Schottky is generally a good compromise for both regions of operation due to the relatively small average current. Larger diodes result in additional transition losses due to their larger junction capacitance.

### VARIABLE DELAY TIME, SOFT-START AND OUTPUT VOLTAGE RAMPING

The LTC3880 must enter the run state prior to soft-start. The RUN pins are released after the part initializes and  $V_{IN}$  is greater than the  $V_{IN\_ON}$  threshold. If multiple LTC3880s are used in an application, they should be configured to share the same RUN pins. They all hold their respective RUN pins low until all devices initialize and  $V_{IN}$  exceeds the  $V_{IN\_ON}$  threshold for all devices. The  $SHARE\_CLK$  pin assures all the devices connected to the signal use the same time base.

After the RUN pin releases, the controller waits for the user-specified turn-on delay ( $TON\_DELAY$ ) prior to initiating an output voltage ramp. Multiple LTC3880s and other LTC parts can be configured to start with variable delay times. To work correctly, all devices use the same timing clock ( $SHARE\_CLK$ ) and all devices must share the RUN pin. This allows the relative delay of all parts to be synchronized. The actual variation in the delay will be dependent on the highest clock rate of the devices connected to the  $SHARE\_CLK$  pin (all Linear Technology ICs are configured to allow the fastest  $SHARE\_CLK$  signal to control the timing of all devices). The  $SHARE\_CLK$  signal can be  $\pm 10\%$  in frequency, thus the actual time delays will have some variance.

Soft-start is performed by actively regulating the load voltage while digitally ramping the target voltage from 0V to the commanded voltage set point. The rise time of the voltage ramp can be programmed using the  $TON\_RISE$  command to minimize inrush currents associated with the start-up voltage ramp. The soft-start feature is disabled

by setting  $TON\_RISE$  to any value less than 0.250ms. The LTC3880 will perform the necessary math internally to assure the voltage ramp is controlled to the desired slope. However, the voltage slope can not be any faster than the fundamental limits of the power stage. The shorter  $TON\_RISE$  time is set, the more jagged the  $TON\_RISE$  ramp will appear. The number of steps in the ramp is equal to  $TON\_RISE/0.1ms$ .

The LTC3880 PWM will always use discontinuous mode during the  $TON\_RISE$  operation. In discontinuous mode, the bottom gate is turned off as soon as reverse current is detected in the inductor. This will allow the regulator to start up into a pre-biased load.

There is no tracking feature in the LTC3880; however, two outputs can be given the same  $TON\_RISE$  and  $TON\_DELAY$  times to effectively ramp up at the same time. Because the RUN pins are released at the same time and both units use the same time base, the outputs will track very closely. If the circuit is in a PolyPhase configuration, all timing parameters must be the same.

The described method of start-up sequencing is time based. For concatenated events it is possible to control the RUN pin based on the  $\overline{GPIO}$  pin of a different controller. The  $\overline{GPIO}$  pin can be configured to release when the output voltage of the converter is greater than the  $V_{OUT\_UV\_FAULT\_LIMIT}$ . It is recommended to use the unfiltered  $V_{OUT}$  UV fault limit because there is little appreciable time delay between the converter crossing the UV threshold and the  $\overline{GPIO}$  pin releasing. The unfiltered output can be enabled using the  $MFR\_GPIO\_PROPAGATE\_V_{OUT\_UVUF}$  (PGOOD) command. (Refer to the MFR section of the PMBus commands in this document). The unfiltered signal may have some glitching as the  $V_{OUT}$  signal transitions through the comparator threshold. A small internal digital filter of 70 $\mu s$  has been added to minimize this problem. To minimize the risk of  $\overline{GPIO}$  pins glitching, make the  $TON\_RISE$  times less than 100ms. If unwanted transitions still occur on  $\overline{GPIO}$ , place a capacitor to ground on the  $\overline{GPIO}$  pin to filter the waveform. The RC time-constant of the filter should be set sufficiently fast to assure no appreciable delay is incurred. A value of 300 $\mu s$  to 500 $\mu s$  will provide some additional filtering without significantly delaying the trigger event.

## APPLICATIONS INFORMATION

### DIGITAL SERVO MODE

For maximum accuracy in the regulated output voltage, enable the digital servo loop by asserting bit 6 of the MFR\_PWM\_MODE\_LTC3880 command. In digital servo mode, the LTC3880 will adjust the regulated output voltage based on the ADC voltage reading. Every 90ms the digital servo loop will step the LSB of the DAC (nominally 1.375mV or 0.6875mV depending on the voltage range bit) until the output is at the correct ADC reading. At power-up this mode engages after TON\_MAX\_FAULT\_LIMIT unless the limit is set to 0 (infinite). If the TON\_MAX\_FAULT\_LIMIT is set to 0 (infinite), the servo begins after TON\_RISE is complete and VOUT has exceeded the VOUT\_UV\_FAULT\_LIMIT and IOUT\_OC is not present. This same point in time is when the output changes from discontinuous to the programmed mode as indicated in MFR\_PWM\_MODE\_LTC3880 bits 0 and 1. Refer to Figure 21 for details on the VOUT waveform under time based sequencing.

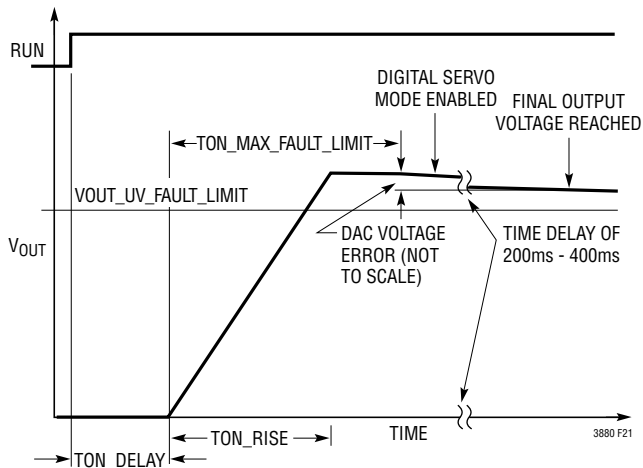


Figure 21. Timing Controlled V<sub>OUT</sub> Rise

If the TON\_MAX\_FAULT\_LIMIT is set to a value greater than 0 and the TON\_MAX\_FAULT\_RESPONSE is set to ignore 0x00, the servo begins:

1. After the TON\_RISE sequence is complete
2. After the TON\_MAX\_FAULT\_LIMIT time is reached; and
3. After the VOUT\_UV\_FAULT\_LIMIT has been exceeded or the IOUT\_OC\_FAULT\_LIMIT is no longer active.

If the TON\_MAX\_FAULT\_IMIT is set to a value greater than 0 and the TON\_MAX\_FAULT\_RESPONSE is not set to ignore 0x00, the servo begins:

1. After the TON\_RISE sequence is complete;
2. After the TON\_MAX\_FAULT\_LIMIT time has expired and both VOUT\_UV\_FAULT and IOUT\_OC\_FAULT are not present.

The maximum rise time is limited to 1.3 seconds.

In a PolyPhase configuration it is recommended only one of the control loops have the digital servo mode enabled. This will assure the various loops do not work against each other due to slight differences in the reference circuits.

### SOFT OFF (SEQUENCED OFF)

In addition to a controlled start-up, the LTC3880 also supports controlled turn-off. The TOFF\_DELAY and TOFF\_FALL functions are shown in Figure 22. TOFF\_FALL is processed when the RUN pin goes low or if the part is commanded off. If the part faults off or  $\overline{\text{GPIO}}$  is pulled low externally and the part is programmed to respond to this, the output will three-state rather than exhibiting a controlled ramp. The output will decay as a function of the load.

The output voltage will operate as shown in Figure 22 so long as the part is in forced continuous mode and the TOFF\_FALL time is sufficiently slow that the power stage can achieve the desired slope. The TOFF\_FALL time can only be met if the power stage and controller can sink

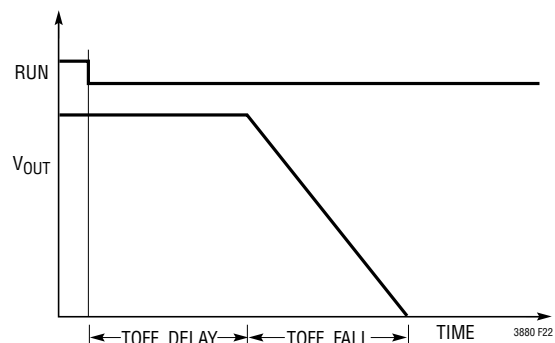


Figure 22. TOFF\_DELAY and TOFF\_FALL

## APPLICATIONS INFORMATION

sufficient current to assure the output is a zero volts by the end of the fall time interval. If the TOFF\_FALL time is set shorter than the time required to discharge the load capacitance, the output will not reach the desired zero volt state. At the end of TOFF\_FALL, the controller will cease to sink current and  $V_{OUT}$  will decay at the natural rate determined by the load impedance. If the controller is in discontinuous mode, the controller will not pull negative current and the output will be pulled low by the load, not the power stage. The maximum fall time is limited to 1.3 seconds. The shorter TOFF\_FALL time is set, the more jagged the TOFF\_FALL ramp will appear. The number of steps in the ramp is equal to TOFF\_FALL/0.1ms.

### INTV<sub>CC</sub> REGULATOR

The LTC3880 features an NPN linear regulator that supplies power to INTV<sub>CC</sub> from the  $V_{IN}$  supply. INTV<sub>CC</sub> powers the gate drivers,  $V_{DD33}$  and much of the LTC3880 internal circuitry. The linear regulator produces the voltage at the INTV<sub>CC</sub> pin to nominally 5V when  $V_{IN}$  is greater than 6.5V. The regulator can supply a peak current of 100mA and must be bypassed to ground with a minimum of 1 $\mu$ F ceramic capacitor or low ESR electrolytic capacitor. No matter what type of bulk capacitor is used, an additional 0.1 $\mu$ F ceramic capacitor placed directly adjacent to the INTV<sub>CC</sub> and PGND pins is highly recommended. Good bypassing is needed to supply the high transient currents required by the MOSFET gate drivers and to prevent interaction between the channels. The NPN linear regulator on the LTC3880-1 is not present and an external 5V supply is needed.

High input voltage application in which large MOSFETs are being driven at high frequencies may cause the maximum junction temperature rating for the LTC3880 to be exceeded. The INTV<sub>CC</sub> current, of which a large percentage is due to the gate charge current, may be supplied by either the internal 5V linear regulator or from an external 5V regulator on the LTC3880-1. If the LTC3880 is used with the internal regulator activated, the power through the IC is equal to  $V_{IN} \cdot I_{INTVCC}$ . The gate charge current is dependent on operating frequency as discussed in the Efficiency Considerations section. The junction temperature can be estimated by using the equations in Note 2 of

the Electrical Characteristics. For example, the LTC3880 INTV<sub>CC</sub> current is limited to less than 69mA from a 24V supply:

$$T_J = 70^\circ\text{C} + 69\text{mA} \cdot 24\text{V} \cdot 33^\circ\text{C/W} = 125^\circ\text{C}$$

To prevent the maximum junction temperature from being exceeded, a LTC3880-1 can be used. In the LTC3880-1, the INTV<sub>CC</sub> linear regulator is disabled and approximately 2mA of current is supplied internally from  $V_{IN}$ . Significant system efficiency and thermal gains can be realized by powering the EXT<sub>VCC</sub> pin from a switching 5V regulator. The  $V_{IN}$  current resulting from the gate driver and control circuitry will be scaled by a factor of:

$$\left( \frac{V_{EXTVCC}}{V_{IN}} \right) \left( \frac{1}{\text{Efficiency}} \right)$$

Tying the EXT<sub>VCC</sub> pin to a 5V supply (LTC3880-1 only) reduces the junction temperature in the previous example from 125°C to:

$$T_J = 70^\circ\text{C} + 69\text{mA} \cdot 5\text{V} \cdot 33^\circ\text{C/W} + 2\text{mA} \cdot 24\text{V} \cdot 33^\circ\text{C/W} = 83^\circ\text{C}$$

Do not tie INTV<sub>CC</sub> on the LTC3880 to an external supply because INTV<sub>CC</sub> will attempt to pull the external supply high and hit current limit, significantly increasing the die temperature.

For applications where  $V_{IN}$  is 5V, tie the  $V_{IN}$  and INTV<sub>CC</sub> pins together and tie the combined pins to the 5V input with a 1 $\Omega$  or 2.2 $\Omega$  resistor as shown in Figure 23. To minimize the voltage drop caused by the gate charge current a low ESR capacitor must be connected to the  $V_{IN}$ /INTV<sub>CC</sub> (EXT<sub>VCC</sub>) pins. This configuration will override the INTV<sub>CC</sub> (EXT<sub>VCC</sub>) linear regulator and will prevent INTV<sub>CC</sub> (EXT<sub>VCC</sub>) from dropping too low. Make sure the INTV<sub>CC</sub> (EXT<sub>VCC</sub>)

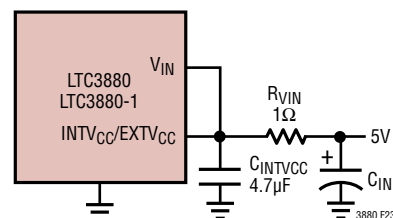


Figure 23. Setup for a 5V Input

## APPLICATIONS INFORMATION

voltage exceeds the  $R_{DS(ON)}$  test voltage for the MOSFETs which is typically 4.5V for logic level devices. The UVLO on  $INTV_{CC}$  ( $EXTV_{CC}$ ) is set to approximately 4V. Both a LTC3880 and LTC3880-1 are valid for this configuration.

### TOPSIDE MOSFET DRIVER SUPPLY ( $C_B$ , $D_B$ )

External bootstrap capacitors  $C_B$  connected to the BOOST pins supply the gate drive voltages for the topside MOSFETs. Capacitor  $C_B$  in the Block Diagram is charged through external diode  $D_B$  from  $INTV_{CC}$  when the SW pin is low. When one of the topside MOSFETs is to be turned on, the driver places the  $C_B$  voltage across the gate source of the desired MOSFET. This enhances the MOSFET and turns on the topside switch. The switch node voltage, SW, rises to  $V_{IN}$  and the BOOST pin follows. With the topside MOSFET on, the boost voltage is above the input supply:  $V_{BOOST} = V_{IN} + V_{INTV_{CC}}$ . The value of the boost capacitor  $C_B$  needs to be 100 times that of the total input capacitance of the topside MOSFET(s). The reverse breakdown of the external Schottky diode must be greater than  $V_{IN(MAX)}$ . When adjusting the gate drive level, the final arbiter is the total input current for the regulator. If a change is made and the input current decreases, then the efficiency has improved. If there is no change in input current, then there is no change in efficiency.

PWM jitter has been observed in some designs operating at higher  $V_{IN}/V_{OUT}$  ratios. This jitter does not substantially affect the circuit accuracy. Referring to Figure 24, PWM jitter can be removed by inserting a series resistor with a value of  $1\Omega$  to  $5\Omega$  between the cathode of the diode and the BOOST pin. A resistor case size of 0603 or larger is recommended to reduce ESL and achieve the best results.

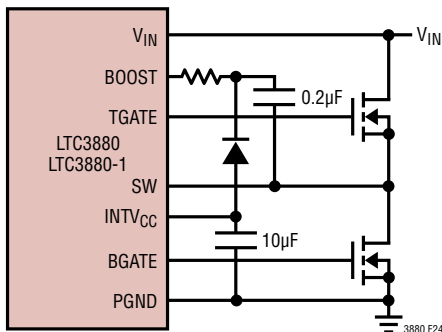


Figure 24. Boost Circuit to Minimize PWM Jitter

### UNDERVOLTAGE LOCKOUT

The LTC3880 is initialized by an internal threshold-based UVLO where  $V_{IN}$  must be approximately 4V and  $INTV_{CC}/EXTV_{CC}$ ,  $V_{DD33}$ ,  $V_{DD25}$  must be within approximately 20% of the regulated values. In addition,  $V_{DD33}$  must be within approximately 7% of the targeted value before the RUN and SHARE\_CLK pins are released. After the part has initialized, an additional comparator monitors  $V_{IN}$ . The  $V_{IN\_ON}$  threshold must be exceeded before the power sequencing can begin. When  $V_{IN}$  drops below the  $V_{IN\_OFF}$  threshold, the SHARE\_CLK pin will be pulled low and  $V_{IN}$  must increase above the  $V_{IN\_ON}$  threshold before the controller will restart. The normal start-up sequence will be allowed after the  $V_{IN\_ON}$  threshold is crossed.

It is possible to program the contents of the NVM in the application if the  $V_{DD33}$  supply is externally driven. This will activate the digital portion of the LTC3880 without engaging the high voltage sections. PMBus communications are valid in this supply configuration. If  $V_{IN}$  has not been applied to the LTC3880, bit 3 (NVM Not Initialized) in MFR\_COMMON will be asserted low. If this condition is detected, the part will only respond to addresses 5A and 5B. To initialize the part issue the following set of commands: global address 0x5B command 0xBD data 0x2B followed by global address 5B command 0xBD and data 0xC4. The part will now respond to the correct address. Configure the part as desired then issue a STORE\_USER\_ALL. When  $V_{IN}$  is applied a MFR\_RESET command must be issued to allow the PWM to be enabled and valid ADC conversions to be read.

### $C_{IN}$ AND $C_{OUT}$ SELECTION

The selection of  $C_{IN}$  is simplified by the 2-phase architecture and its impact on the worst-case RMS current drawn through the input network (battery/fuse/capacitor). It can be shown that the worst-case capacitor RMS current occurs when only one controller is operating. The controller with the highest  $(V_{OUT})(I_{OUT})$  product needs to be used in the formula below to determine the maximum RMS capacitor current requirement. Increasing the output current drawn from the other controller will actually decrease the input RMS ripple current from its maximum value. The out-of-phase technique typically reduces the input

## APPLICATIONS INFORMATION

capacitor's RMS ripple current by a factor of 30% to 70% when compared to a single phase power supply solution.

In continuous mode, the source current of the top MOSFET is a square wave of duty cycle  $(V_{OUT})/(V_{IN})$ . To prevent large voltage transients, a low ESR capacitor sized for the maximum RMS current of one channel must be used. The maximum RMS capacitor current is given by:

$$C_{IN} \text{ Required } I_{RMS} \approx \frac{I_{MAX}}{V_{IN}} \left[ (V_{OUT})(V_{IN} - V_{OUT}) \right]^{1/2}$$

This formula has a maximum at  $V_{IN} = 2V_{OUT}$ , where  $I_{RMS} = I_{OUT}/2$ . This simple worst-case condition is commonly used for design because even significant deviations do not offer much relief. Note that capacitor manufacturers' ripple current ratings are often based on only 2000 hours of life. This makes it advisable to further derate the capacitor, or to choose a capacitor rated at a higher temperature than required. Several capacitors may be paralleled to meet size or height requirements in the design. Due to the high operating frequency of the LTC3880, ceramic capacitors can also be used for  $C_{IN}$ . Always consult the manufacturer if there is any question.

The benefit of the LTC3880 2-phase operation can be calculated by using the equation above for the higher power controller and then calculating the loss that would have resulted if both controller channels switched on at the same time. The total RMS power lost is lower when both controllers are operating due to the reduced overlap of current pulses required through the input capacitor's ESR. This is why the input capacitor's requirement calculated above for the worst-case controller is adequate for the dual controller design. Also, the input protection fuse resistance, battery resistance, and PC board trace resistance losses are also reduced due to the reduced peak currents in a 2-phase system. The overall benefit of a multiphase design will only be fully realized when the source impedance of the power supply/battery is included in the efficiency testing. The sources of the top MOSFETs should be placed within 1cm of each other and share a common  $C_{IN}(s)$ . Separating the sources and  $C_{IN}$  may produce undesirable voltage and current resonances at  $V_{IN}$ .

A small (0.1µF to 1µF) bypass capacitor between the chip  $V_{IN}$  pin and ground, placed close to the LTC3880, is also

suggested. A 2.2Ω – 10Ω resistor placed between  $C_{IN}$  (C1) and the  $V_{IN}$  pin provides further isolation between the two channels.

The selection of  $C_{OUT}$  is driven by the effective series resistance (ESR). Typically, once the ESR requirement is satisfied, the capacitance is adequate for filtering. The output ripple ( $\Delta V_{OUT}$ ) is approximated by:

$$\Delta V_{OUT} \approx I_{RIPPLE} \left( ESR + \frac{1}{8fC_{OUT}} \right)$$

where  $f$  is the operating frequency,  $C_{OUT}$  is the output capacitance and  $I_{RIPPLE}$  is the ripple current in the inductor. The output ripple is highest at maximum input voltage since  $I_{RIPPLE}$  increases with input voltage.

## FAULT CONDITIONS

The LTC3880  $\overline{GPIO}n$  pins are configurable to indicate a variety of faults including OV/UV, OC, OT, timing faults, peak overcurrent faults. In addition the  $\overline{GPIO}n$  pins can be pulled low by external sources indicating a fault in some other portion of the system. The fault response is configurable and allow the following options:

- Ignore
- Shut Down Immediately—Latch Off
- Shut Down Immediately—Retry Indefinitely at the Time Interval Specified in MFR\_RETRY\_DELAY

Refer to the PMBus section of the data sheet and the PMBus specification for more details.

The OV response is automatic and virtually immediate. If an OV is detected, TG goes low and BG is asserted.

Fault logging is available on the LTC3880. The fault logging is configurable to automatically store data when a fault occurs that causes the unit to fault off. The header portion of the fault logging table contains peak values. It is possible to read these values at any time. This data will be useful while troubleshooting the fault.

If the LTC3880 internal temperature is in excess of 85°C, the write into the NVM is not recommended. The data will still be held in RAM, unless the 3.3V supply UVLO threshold is reached. If the die temperature exceeds 130°C all

## APPLICATIONS INFORMATION

NVM communication is disabled until the die temperature drops below 120°C.

### OPEN-DRAIN PINS

The LTC3880 has the following open-drain pins:

#### 3.3V Pins

1.  $\overline{\text{GPIO}}_n$
2. SYNC
3. SHARE\_CLK

#### 5V Pins (5V pins operate correctly when pulled to 3.3V.)

1.  $\text{RUN}_n$
2.  $\overline{\text{ALERT}}$
3. SCL
4. SDA

All the above pins have on-chip pull-down transistors that can sink 3mA at 0.4V. The low threshold on the pins is 1.4V; thus, plenty of margin on the digital signals with 3mA of current. For 3.3V pins, 3mA of current is a 1.1k resistor. Unless there are transient speed issues associated with the RC time constant of the resistor pull-up and parasitic capacitance to ground, a 10k resistor or larger is generally recommended.

For high speed signals such as the SDA, SCL and SYNC, a lower value resistor may be required. The RC time constant should be set to 1/3 to 1/5 the required rise time to avoid timing issues. For a 100pF load and a 400kHz PMBus communication rate, the rise time must be less than 300ns. The resistor pull-up on the SDA and SCL pins with the time constant set to 1/3 the rise time:

$$R_{\text{PULLUP}} = \frac{t_{\text{RISE}}}{3 \cdot 100\text{pF}} = 1\text{k}$$

The closest 1% resistor value is 1k. Be careful to minimize parasitic capacitance on the SDA and SCL pins to avoid communication problems. To estimate the loading capacitance, monitor the signal in question and measure how long it takes for the desired signal to reach approximately 63% of the output value. This is one time constant.

The SYNC pin has an on-chip pull-down transistor with the output held low for nominally 500ns. If the internal oscillator is set for 500kHz and the load is 100pF and a 3x time constant is required, the resistor calculation is as follows:

$$R_{\text{PULLUP}} = \frac{2\mu\text{s} - 500\text{ns}}{3 \cdot 100\text{pF}} = 5\text{k}$$

The closest 1% resistor is 4.99k.

If timing errors are occurring or if the SYNC frequency is not as fast as desired, monitor the waveform and determine if the RC time constant is too long for the application. If possible reduce the parasitic capacitance. If not reduce the pull up resistor sufficiently to assure proper timing. The SHARE\_CLK pull-up resistor has a similar equation with a period of 10μs and a pull-down time of 1μs. The RC time constant should be approximately 3μs or faster.

### PHASE-LOCKED LOOP AND FREQUENCY SYNCHRONIZATION

The LTC3880 has a phase-locked loop (PLL) comprised of an internal voltage-controlled oscillator (VCO) and a phase detector. The PLL is locked to the falling edge of the SYNC pin. The phase relationship between channel 0, channel 1 and the falling edge of SYNC is controlled by the lower 3 bits of the MFR\_PWM\_CONFIG\_LTC3880 command. For PolyPhase applications, it is recommended all the phases be spaced evenly. Thus for a 2-phase system the signals should be 180° out of phase and a 4-phase system should be spaced 90°.

The phase detector is an edge-sensitive digital type that provides a known phase shift between the external and internal oscillators. This type of phase detector does not exhibit false lock to harmonics of the external clock.

The output of the phase detector is a pair of complementary current sources that charge or discharge the internal filter network. The PLL lock range is guaranteed between 250kHz and 1MHz. Nominal parts will have a range beyond this; however, operation to a wider frequency range is not guaranteed.

## APPLICATIONS INFORMATION

The PLL has a lock detection circuit. If the PLL should lose lock during operation, bit 4 of the STATUS\_MFR\_SPECIFIC command is asserted and the  $\overline{\text{ALERT}}$  pin is pulled low. The fault can be cleared by writing a 1 to the bit. If the user does not wish to see the PLL\_FAULT, even if a synchronization clock is not available at power up, bit 3 of the MFR\_CONFIG\_ALL\_LTC3880 command must be asserted.

If the SYNC signal is not clocking in the application, the PLL will run at the lowest free running frequency of the VCO. This will be well below the intended PWM frequency of the application and may cause undesirable operation of the converter.

If the PWM signal appears to be running at too high a frequency, monitor the SYNC pin. Extra transitions on the falling edge will result in the PLL trying to lock on to noise versus the intended signal. Review routing of digital control signals and minimize crosstalk to the SYNC signal to avoid this problem. Multiple LTC3880s are required to share the SYNC pin in PolyPhase configurations, for other configurations it is optional. If the SYNC pin is shared between LTC3880s, only one LTC3880 can be programmed with a frequency output. All the other LTC3880s must be programmed to external clock.

### MINIMUM ON-TIME CONSIDERATIONS

Minimum on-time,  $t_{\text{ON(MIN)}}$ , is the smallest time duration that the LTC3880 is capable of turning on the top MOSFET. It is determined by internal timing delays and the gate charge required to turn on the top MOSFET. Low duty cycle applications may approach this minimum on-time limit and care should be taken to ensure that:

$$t_{\text{ON(MIN)}} < \frac{V_{\text{OUT}}}{V_{\text{IN}} \cdot f_{\text{OSC}}}$$

If the duty cycle falls below what can be accommodated by the minimum on-time, the controller will begin to skip cycles. The output voltage will continue to be regulated, but the ripple voltage and current will increase.

The minimum on-time for the LTC3880 is approximately 90ns, with reasonably good PCB layout, minimum 30%

inductor current ripple and at least 10mV – 15mV ripple on the current sense signal. The minimum on-time can be affected by PCB switching noise in the voltage and current loop. As the peak current sense voltage decreases, the minimum on-time gradually increases to 130ns. This is of particular concern in forced continuous applications with low ripple current at light loads. If the duty cycle drops below the minimum on-time limit in this situation, a significant amount of cycle skipping can occur with correspondingly larger current and voltage ripple.

### RCONFIG (EXTERNAL RESISTOR CONFIGURATION PINS)

The LTC3880 default NVM is programmed to respect the RCONFIG pins. If a user wishes the output voltage, PWM frequency and phasing and the address to be set without programming the part or purchasing specially programmed parts, the RCONFIG pins can be used to establish these parameters. The RCONFIG pins all require a resistor divider between the VDD25 and SGND of the LTC3880. The RCONFIG pins are only monitored at initial power up and during a reset so modifying their values perhaps using an A/D after the part is powered will have no effect. 1% resistors or better must be used to assure proper operation. Noisy clock signals should not be routed near these pins.

### Voltage Selection

When an output voltage is set using the RCONFIG pins on VOUT $_n$ \_CFG and VTRIM $_n$ \_CFG, the following parameters are set as a percentage of the output voltage:

- VOUT\_OV\_FAULT\_LIMIT +10%
- VOUT\_OV\_WARN +7.5%
- VOUT\_MAX +7.5%
- VOUT\_MARGIN\_HI +5%
- POWER\_GOOD\_ON -7%
- POWER\_GOOD\_OFF -8%
- VOUT\_MARGIN\_LO -5%
- VOUT\_UV\_WARN -6.5%
- VOUT\_UV\_FAULT\_LIMIT -7%

## APPLICATIONS INFORMATION

Refer to Tables 12 and 13 to set the output voltage using RCONFIG pins VOUT<sub>n</sub>\_CFG and VTRIM<sub>n</sub>\_CFG. R<sub>TOP</sub> is connected between VDD25 and the pin and R<sub>BOTTOM</sub> is connected between the pin and SGND. 1% resistors must be used to assure proper operation.

The output voltage set point is equal to:

$$V_{\text{SETPOINT}} = V_{\text{OUT}_n\text{\_CFG}} + V_{\text{TRIM}_n\text{\_CFG}}$$

For example, if the VOUT<sub>n</sub>\_CFG pin has R<sub>TOP</sub> equal to 24.9k and R<sub>BOTTOM</sub> equal to 4.32k, and VTRIM<sub>n</sub>\_CFG is set with R<sub>TOP</sub> not inserted and R<sub>BOTTOM</sub> equal to 0Ω:

$$V_{\text{SETPOINT}} = 1.1\text{V} - 0.099\text{V} \text{ or } 1.001\text{V}$$

If odd values of output voltage are required from 0.5V to 3.3V, use only the VOUT<sub>n</sub>\_CFG resistor divider, the V<sub>TRIM</sub> pin can be open or shorted to V<sub>DD25</sub>. If the output set point is 5V, the VOUT<sub>n</sub>\_CFG must have R<sub>TOP</sub> equal to 10k and R<sub>BOTTOM</sub> equal to 23.2k and VTRIM<sub>n</sub>\_CFG must have R<sub>TOP</sub> equal to 20k and R<sub>BOTTOM</sub> equal to 11k. If VOUT is 2.5 volts or lower, low range is used. The maximum voltage command on channel 0 is 4.096 volts including VOUT\_OV\_FAULT, VOUT\_OV\_WARN, VOUT\_MARGIN\_HI and VOUT.

**Table 12. VOUT<sub>n</sub>\_CFG**

R <sub>TOP</sub> (kΩ)	R <sub>BOTTOM</sub> (kΩ)	V <sub>OUT</sub> (V)
0 or Open	Open	NVM
10	23.2	See VTRIM
10	15.8	3.3
16.2	20.5	3.1
16.2	17.4	2.9
20	17.8	2.7
20	15	2.5
20	12.7	2.3
20	11	2.1
24.9	11.3	1.9
24.9	9.09	1.7
24.9	7.32	1.5
24.9	5.76	1.3
24.9	4.32	1.1
30.1	3.57	0.9
30.1	1.96	0.7
Open	0	0.5

**Table 13. VTRIM<sub>n</sub>\_CFG**

R <sub>TOP</sub> (kΩ)	R <sub>BOTTOM</sub> (kΩ)	V <sub>TRIM</sub> (mV) CHANGE TO V <sub>SET</sub> VOLTAGE	V <sub>OUT</sub> (V) IF V <sub>OUT</sub> HAS 10kΩ/23.3kΩ
0 or Open	Open	0	
10	23.2	99	
10	15.8	86.625	
16.2	20.5	74.25	
16.2	17.4	61.875	
20	17.8	49.5	
20	15	37.125	5.5
20	12.7	24.75	5.25
20	11	12.375	5
24.9	11.3	-12.375	4.75
24.9	9.09	-24.75	4.5
24.9	7.32	-37.125	4.25
24.9	5.76	-49.5	4
24.9	4.32	-61.875	3.75
30.1	3.57	-74.25	3.63
30.1	1.96	-86.625	3.5
Open	0	-99	3.46

### Frequency and Phase Selection Using RCONFIG

The frequency and phase commands are linked if they are set using the RCONFIG pins. If PMBus commands are used the two parameters are independent. The SYNC pins must be shared in PolyPhase configurations where multiple LTC3880s are used to produce the output. If the configuration is not PolyPhase the SYNC pins do not have to be shared. If the SYNC pins are shared between LTC3880s only one SYNC pin can be set as a frequency output, all other SYNC pins must be set to External Clock.

For example in a 4-phase configuration clocked at 425kHz, one of the LTC3880s must be set to the desired frequency and phase and the other LTC3880 must be set to External Clock. All phasing is with respect to the falling edge of SYNC.

## APPLICATIONS INFORMATION

**Table 14. FREQ\_CFG (Phase Based on Falling Edge of SYNC)**

R <sub>TOP</sub> (kΩ)	R <sub>BOTTOM</sub> (kΩ)	FREQUENCY (kHz)	θ <sub>SYNC TO θ<sub>0</sub></sub>	θ <sub>SYNC TO θ<sub>1</sub></sub>	DESCRIPTION
0 or Open	Open	NVM	NVM	NVM	NVM
10	23.2	250	0	180	2-Phase
10	15.8	250	120	240	3-Phase
16.2	20.5	250	90	270	4-Phase
16.2	17.4	425	0	180	2-Phase
20	17.8	425	120	240	3-Phase
20	15	425	90	270	4-Phase
20	12.7	500	0	180	2-Phase
20	11	500	120	240	3-Phase
24.9	11.3	500	90	270	4-Phase
24.9	9.09	575	0	180	2-Phase
24.9	7.32	575	120	240	3-Phase
24.9	5.76	575	90	270	4-Phase
24.9	4.32	650	0	180	2-Phase
30.1	3.57	650	120	240	3-Phase
30.1	1.96	650	90	270	4-Phase
Open	0	External Clock	0	180	2-Phase

LTC3880 Chip 1 set the frequency to 425kHz with 90° and 270° phase shift:

$$R_{TOP} = 20k\Omega \text{ and } R_{BOTTOM} = 15k\Omega$$

LTC3880 Chip 2 set the frequency to External Clock with 0° and 180° phase shift:

$$R_{TOP} = \text{open} \text{ and } R_{BOTTOM} = 0\Omega$$

Frequencies of 350kHz, 750kHz and 1000kHz can only be set using NVM programming. If a 6-phase configuration is desired, NVM programming will give optimal phasing. All other configurations in frequency and phasing can be achieved using the FREQ\_CFG pin.

### Address Selection Using RCONFIG

The LTC3880 address is selected using a combination of the address stored in NVM and the ASEL pin. The MSB of ASEL is the MSB in the NVM and the LSB is the ASEL value. This allows 16 different LTC3880s on a single board with one programmed address in NVM.

If the address stored in NVM is 0x4F, then the part address can be set from 0x40 to 0x4F using ASEL. (The standard default address is 0x4F). Do not set any part address to 0x5A or 0x5B because these are global addresses and all parts will respond to them.

To choose address 0x40 R<sub>TOP</sub> is open and R<sub>BOTTOM</sub> = 0Ω

To choose address 0x45 R<sub>TOP</sub> = 24.9k and R<sub>BOTTOM</sub> = 7.32k

To choose address 0x4E R<sub>TOP</sub> = 10.0k and R<sub>BOTTOM</sub> = 15.8k

## APPLICATIONS INFORMATION

Table 15. ASEL

R <sub>TOP</sub> (kΩ)	R <sub>BOTTOM</sub> (kΩ)	SLAVE ADDRESS	LSB HEX
0 or Open	Open	NVM	
10	23.2	xyz_1111	F
10	15.8	xyz_1110	E
16.2	20.5	xyz_1101	D
16.2	17.4	xyz_1100	C
20	17.8	xyz_1011	B
20	15	xyz_1010	A
20	12.7	xyz_1001	9
20	11	xyz_1000	8
24.9	11.3	xyz_0111	7
24.9	9.09	xyz_0110	6
24.9	7.32	xyz_0101	5
24.9	5.76	xyz_0100	4
24.9	4.32	xyz_0011	3
30.1	3.57	xyz_0010	2
30.1	1.96	xyz_0001	1
Open	0	xyz_0000	0

Table 15A<sup>1</sup>. LTC3880 MFR\_ADDRESS Command Examples Expressing Both 7- or 8-Bit Addressing

DESCRIPTION	HEX DEVICE ADDRESS		BIT								R/W
	7 BIT	8 BIT	7	6	5	4	3	2	1	0	
Rail <sup>4</sup>	0x5A	0xB4	0	1	0	1	1	0	1	0	0
Global <sup>4</sup>	0x5B	0xB6	0	1	0	1	1	0	1	1	0
Default	0x4F	0x9E	0	1	0	0	1	1	1	1	0
Example 1	0x60	0xC0	0	1	1	0	0	0	0	0	0
Example 2	0x61	0xC2	0	1	1	0	0	0	0	1	0
Disabled <sup>2,3,5</sup>			1	0	0	0	0	0	0	0	0

Note 1: This table can be applied to the MFR\_CHANNEL\_ADDRESS, and MFR\_RAIL\_ADDRESS commands as well as the MFR\_ADDRESS command.

Note 2: A disabled value in one command does not disable the device, nor does it disable the Global address.

Note 3: A disabled value in one command does not inhibit the device from responding to device addresses specified in other commands.

Note 4: It is not recommended to write the value 0x00, 0x0C (7 bit), or 0x5A or 0x5B (7 bit) to the MFR\_ADDRESS, MFR\_CHANNEL\_ADDRESS or the MFR\_RAIL\_ADDRESS commands.

Note 5: To disable the address enter 0x80 in the MFR\_ADDRESS command. The 0x80 is greater than the 7-bit address field, disabling the address.

## EFFICIENCY CONSIDERATIONS

The percent efficiency of a switching regulator is equal to the output power divided by the input power times 100%. It is often useful to analyze individual losses to determine what is limiting the efficiency and which change would produce the most improvement. Percent efficiency can be expressed as:

$$\% \text{Efficiency} = 100\% - (L1 + L2 + L3 + \dots)$$

where L1, L2, etc. are the individual losses as a percentage of input power.

Although all dissipative elements in the circuit produce losses, four main sources usually account for most of the losses in LTC3880 circuits: 1) IC  $V_{IN}$  current, 2) INTV<sub>CC</sub> regulator current, 3) I<sup>2</sup>R losses, 4) Topside MOSFET transition losses.

1. The  $V_{IN}$  current is the DC supply current given in the Electrical Characteristics table, which excludes MOSFET driver and control currents.  $V_{IN}$  current typically results in a small (<0.1%) loss.
2. INTV<sub>CC</sub> current is the sum of the MOSFET driver and control currents. The MOSFET driver current results from switching the gate capacitance of the power MOSFETs. Each time a MOSFET gate is switched from low to high to low again, a packet of charge dQ moves from INTV<sub>CC</sub> to ground. The resulting dQ/dt is a current out of INTV<sub>CC</sub> that is typically much larger than the control circuit current. In continuous mode,  $I_{GATECHG} = f(Q_T + Q_B)$ , where  $Q_T$  and  $Q_B$  are the gate charges of the topside and bottom side MOSFETs.

On the LTC3880-1, supplying EXT<sub>VCC</sub> from an output-derived source will scale the  $V_{IN}$  current required for the driver and control circuits by a factor of:

$$\left( \frac{V_{EXTVCC}}{V_{IN}} \right) \left( \frac{1}{\text{Efficiency}} \right)$$

For example, in a 20V to 5V application, 10mA of INTV<sub>CC</sub> current results in approximately 2.5mA of  $V_{IN}$  current. This reduces the mid-current loss from 10% or more (if the driver was powered directly from  $V_{IN}$ ) to only a few percent.

## APPLICATIONS INFORMATION

3.  $I^2R$  losses are predicted from the DC resistances of the fuse (if used), MOSFET, inductor, current sense resistor. In continuous mode, the average output current flows through L and  $R_{SENSE}$ , but is “chopped” between the topside MOSFET and the synchronous MOSFET. If the two MOSFETs have approximately the same  $R_{DS(ON)}$ , then the resistance of one MOSFET can simply be summed with the resistances of L and  $R_{SENSE}$  to obtain  $I^2R$  losses. For example, if each  $R_{DS(ON)} = 10m\Omega$ ,  $R_L = 10m\Omega$ ,  $R_{SENSE} = 5m\Omega$ , then the total resistance is  $25m\Omega$ . This results in losses ranging from 2% to 8% as the output current increases from 3A to 15A for a 5V output, or a 3% to 12% loss for a 3.3V output. Efficiency varies as the inverse square of  $V_{OUT}$  for the same external components and output power level. The combined effects of increasingly lower output voltages and higher currents required by high performance digital systems is not doubling but quadrupling the importance of loss terms in the switching regulator system!
4. Transition losses apply only to the topside MOSFET(s), and become significant only when operating at high input voltages (typically 15V or greater). Transition losses can be estimated from:

$$\text{Transition Loss} = (1.7) V_{IN}^2 I_{O(MAX)} C_{RSS} f$$

Other “hidden” losses such as copper trace and internal battery resistances can account for an additional 5% to 10% efficiency degradation in portable systems. It is very important to include these “system” level losses during the design phase. The internal battery and fuse resistance losses can be minimized by making sure that  $C_{IN}$  has adequate charge storage and very low ESR at the switching frequency. A 25W supply will typically require a minimum of  $20\mu F$  to  $40\mu F$  of capacitance having a maximum of  $20m\Omega$  to  $50m\Omega$  of ESR. The LTC3880 2-phase architecture typically halves this input capacitance requirement over competing solutions. Other losses including Schottky conduction losses during dead time and inductor core losses generally account for less than 2% total additional loss.

## CHECKING TRANSIENT RESPONSE

The regulator loop response can be checked by looking at the load current transient response. Switching regulators take several cycles to respond to a step in DC (resistive) load current. When a load step occurs,  $V_{OUT}$  shifts by an amount equal to  $\Delta I_{LOAD}$  (ESR), where ESR is the effective series resistance of  $C_{OUT}$ .  $\Delta I_{LOAD}$  also begins to charge or discharge  $C_{OUT}$  generating the feedback error signal that forces the regulator to adapt to the current change and return  $V_{OUT}$  to its steady-state value. During this recovery time  $V_{OUT}$  can be monitored for excessive overshoot or ringing, which would indicate a stability problem. The availability of the  $I_{TH}$  pin not only allows optimization of control loop behavior but also provides a DC-coupled and AC-filtered closed-loop response test point. The DC step, rise time and settling at this test point truly reflects the closed loop response. Assuming a predominantly second order system, phase margin and/or damping factor can be estimated using the percentage of overshoot seen at this pin. The bandwidth can also be estimated by examining the rise time at the pin. The  $I_{TH}$  external components shown in the Typical Application circuit will provide an adequate starting point for most applications. The only two programmable parameters that affect loop gain are the voltage range, bits 5 and 6 of the MFR\_PWM\_CONFIG\_LTC3880 command and the current range, bit 7 of the MFR\_PWM\_MODE\_LTC3880 command. Be sure to establish these settings prior to compensation calculation.

The  $I_{TH}$  series  $R_C$ - $C_C$  filter sets the dominant pole-zero loop compensation. The values can be modified slightly (from 0.5 to 2 times their suggested values) to optimize transient response once the final PC layout is done and the particular output capacitor type and value have been determined. The output capacitors need to be selected because the various types and values determine the loop gain and phase. An output current pulse of 20% to 80% of full-load current having a rise time of  $1\mu s$  to  $10\mu s$  will produce output voltage and  $I_{TH}$  pin waveforms that will give a sense of the overall loop stability without

## APPLICATIONS INFORMATION

breaking the feedback loop. Placing a power MOSFET with a resistor to ground directly across the output capacitor and driving the gate with an appropriate signal generator is a practical way to produce to a load step. The MOSFET +  $R_{\text{SERIES}}$  will produce output currents approximately equal to  $V_{\text{OUT}}/R_{\text{SERIES}}$ .  $R_{\text{SERIES}}$  values from  $0.1\Omega$  to  $2\Omega$  are valid depending on the current limit settings and the programmed output voltage. The initial output voltage step resulting from the step change in output current may not be within the bandwidth of the feedback loop, so this signal cannot be used to determine phase margin. This is why it is better to look at the  $I_{\text{TH}}$  pin signal which is in the feedback loop and is the filtered and compensated control loop response. The gain of the loop will be increased by increasing  $R_C$  and the bandwidth of the loop will be increased by decreasing  $C_C$ . If  $R_C$  is increased by the same factor that  $C_C$  is decreased, the zero frequency will be kept the same, thereby keeping the phase shift the same in the most critical frequency range of the feedback loop. The output voltage settling behavior is related to the stability of the closed-loop system and will demonstrate the actual overall supply performance.

A second, more severe transient is caused by switching in loads with large ( $>1\mu\text{F}$ ) supply bypass capacitors. The discharged bypass capacitors are effectively put in parallel with  $C_{\text{OUT}}$ , causing a rapid drop in  $V_{\text{OUT}}$ . No regulator can alter its delivery of current quickly enough to prevent this sudden step change in output voltage if the load switch resistance is low and it is driven quickly. If the ratio of  $C_{\text{LOAD}}$  to  $C_{\text{OUT}}$  is greater than 1:50, the switch rise time should be controlled so that the load rise time is limited to approximately  $25 \cdot C_{\text{LOAD}}$ . Thus a  $10\mu\text{F}$  capacitor would require a  $250\mu\text{s}$  rise time, limiting the charging current to about 200mA.

### PC BOARD LAYOUT CHECKLIST

When laying out the printed circuit board, the following checklist should be used to ensure proper operation of the IC. These items are also illustrated graphically in the layout diagram of Figure 25. Figure 26 illustrates the current waveforms present in the various branches of the 2-phase synchronous regulators operating in the continuous mode. Check the following in your layout:

1. Are the top N-channel MOSFETs M1 and M2 located within 1 cm of each other with a common drain connection at  $C_{\text{IN}}$ ? Do not attempt to split the input decoupling for the two channels as it can cause a large resonant loop.
2. Are the signal and power grounds kept separate? The combined IC signal ground pin and the ground return of  $C_{\text{INTVCC}}$  must return to the combined  $C_{\text{OUT}}(-)$  terminals. The  $I_{\text{TH}}$  traces should be as short as possible. The path formed by the top N-channel MOSFET, Schottky diode and the  $C_{\text{IN}}$  capacitor should have short leads and PC trace lengths. The output capacitor  $(-)$  terminals should be connected as close as possible to the  $(-)$  terminals of the input capacitor by placing the capacitors next to each other and away from the Schottky loop described above.
3. Does the LTC3880  $V_{\text{SENSE}}$  lines equal  $V_{\text{OUT}}$ ?  $V_{\text{OUT0}}$  is differential.  $V_{\text{OUT1}}$  should reference the SGND (Pin 41) to the Load 1 ground.
4. Are the  $I_{\text{SENSE}}^+$  and  $I_{\text{SENSE}}^-$  leads routed together with minimum PC trace spacing? The filter capacitor between  $I_{\text{SENSE}}^+$  and  $I_{\text{SENSE}}^-$  should be as close as possible to the IC. Ensure accurate current sensing with Kelvin connections at the sense resistor or inductor, whichever is used for current sensing.

APPLICATIONS INFORMATION

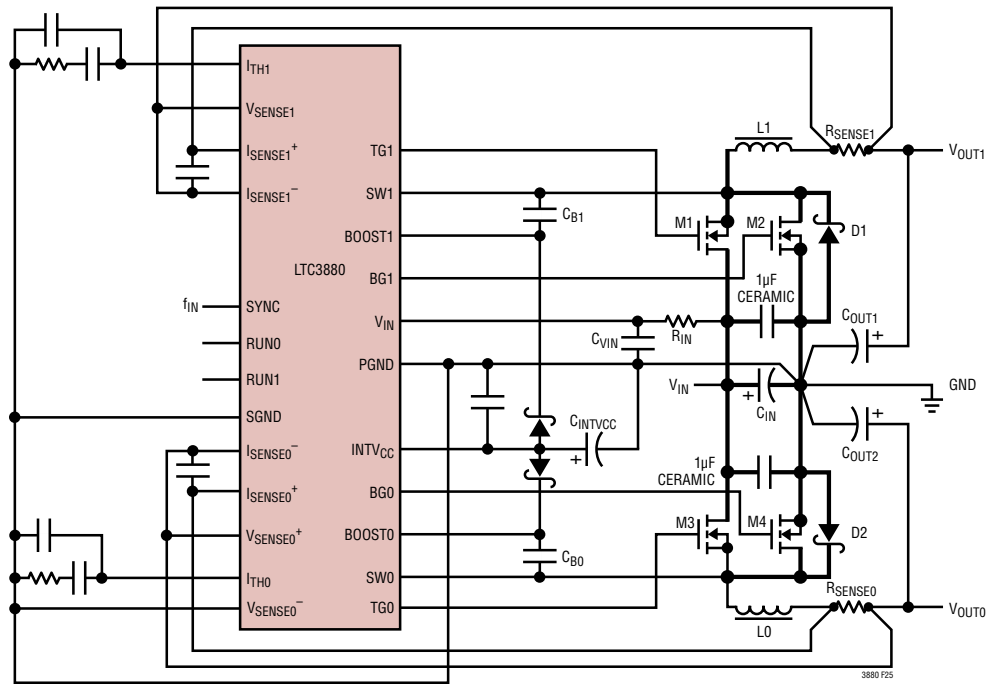


Figure 25. Recommended Printed Circuit Layout Diagram

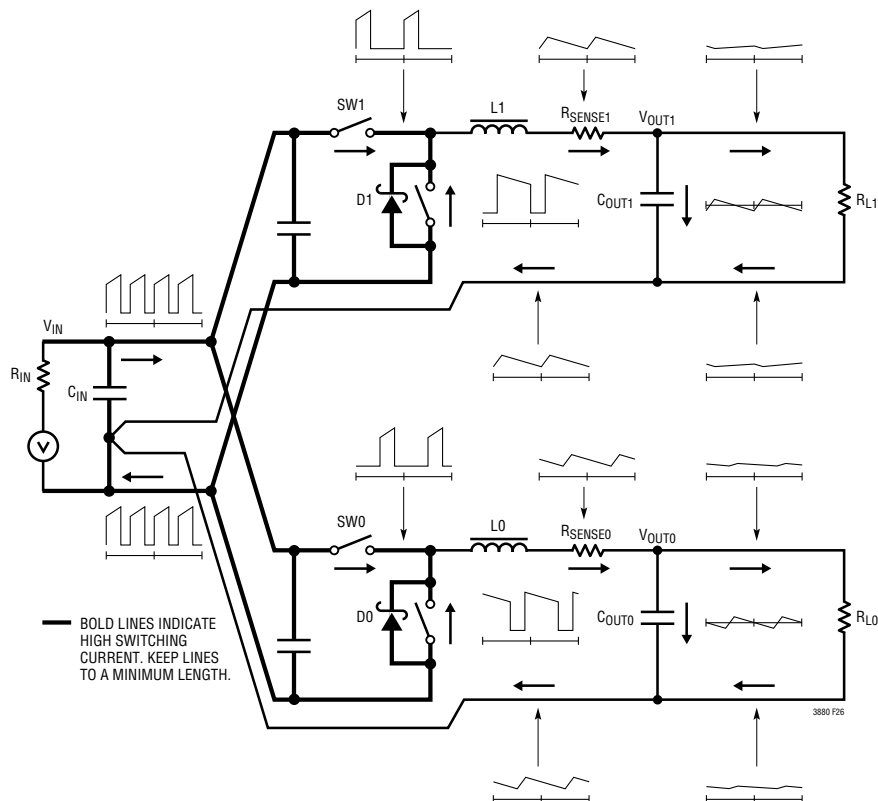


Figure 26. Branch Current Waveforms

## APPLICATIONS INFORMATION

- Is the  $INTV_{CC}$  decoupling capacitor connected close to the IC, between the  $INTV_{CC}$  and the power ground pins? This capacitor carries the MOSFET drivers current peaks. An additional  $1\mu\text{F}$  ceramic capacitor placed immediately next to the  $INTV_{CC}$  and PGND pins can help improve noise performance substantially.
- Keep the switching nodes (SW1, SW0), top gate nodes (TG1, TG0), and boost nodes (BOOST1, BOOST0) away from sensitive small-signal nodes, especially from the opposite channel's voltage and current sensing feedback pins. All of these nodes have very large and fast moving signals and therefore should be kept on the "output side" of the LTC3880 and occupy minimum PC trace area. If DCR sensing is used, place the top resistor (Figure 18a, R1) close to the switching node.
- Use a modified "star ground" technique: a low impedance, large copper area central grounding point on the same side of the PC board as the input and output capacitors with tie-ins for the bottom of the  $INTV_{CC}$  decoupling capacitor, the bottom of the voltage feedback resistive divider and the SGND pin of the IC.

### PC BOARD LAYOUT DEBUGGING

Start with one controller at a time. It is helpful to use a DC-50MHz current probe to monitor the current in the inductor while testing the circuit. Monitor the output switching node (SW pin) to synchronize the oscilloscope to the internal oscillator and probe the actual output voltage as well. Check for proper performance over the operating voltage and current range expected in the application. The frequency of operation should be maintained over the input voltage range down to dropout and until the output load drops below the low current operation threshold—typically 10% of the maximum designed current level in Burst Mode operation.

The duty cycle percentage should be maintained from cycle to cycle in a well-designed, low noise PCB implementation. Variation in the duty cycle at a subharmonic rate can suggest noise pickup at the current or voltage sensing inputs or inadequate loop compensation. Overcompensation of the loop can be used to tame a poor PC layout if regulator bandwidth optimization is not required. Only after each controller is checked for its individual performance should both controllers be turned on at the same time. A particularly difficult region of operation is when one controller channel is nearing its current comparator trip point when the other channel is turning on its top MOSFET. This occurs around 50% duty cycle on either channel due to the phasing of the internal clocks and may cause minor duty cycle jitter.

Reduce  $V_{IN}$  from its nominal level to verify operation of the regulator in dropout. Check the operation of the undervoltage lockout circuit by further lowering  $V_{IN}$  while monitoring the outputs to verify operation.

Investigate whether any problems exist only at higher output currents or only at higher input voltages. If problems coincide with high input voltages and low output currents, look for capacitive coupling between the BOOST, SW, TG, and possibly BG connections and the sensitive voltage and current pins. The capacitor placed across the current sensing pins needs to be placed immediately adjacent to the pins of the IC. This capacitor helps to minimize the effects of differential noise injection due to high frequency capacitive coupling. If problems are encountered with high current output loading at lower input voltages, look for inductive coupling between  $C_{IN}$ , Schottky and the top MOSFET components to the sensitive current and voltage sensing traces. In addition, investigate common ground path voltage pickup between these components and the SGND pin of the IC.

## APPLICATIONS INFORMATION

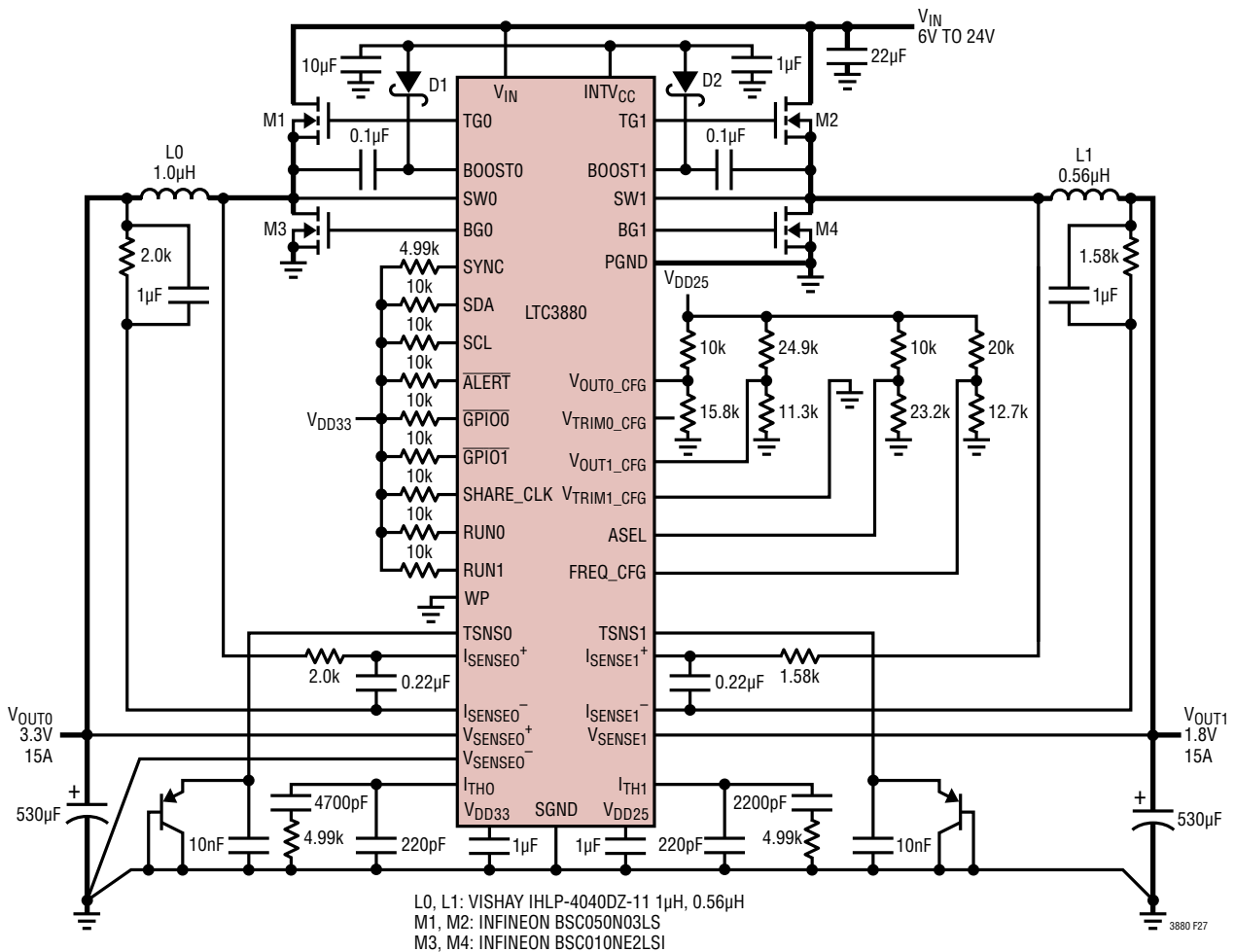


Figure 27. High Efficiency Dual 500kHz 3.3V/1.8V Step-Down Converter

## DESIGN EXAMPLE

As a design example for a two channel medium current regulator, assume  $V_{IN} = 12V$  nominal,  $V_{IN} = 20V$  maximum,  $V_{OUT0} = 3.3V$ ,  $V_{OUT1} = 1.8V$ ,  $I_{MAX0,1} = 15A$  and  $f = 500kHz$  (see Figure 27).

The regulated output is established by the  $V_{OUT\_COMMAND}$  stored in NVM or placing the following resistor divider between  $V_{DD25}$  the  $R_{CONFIG}$  pin and  $SGND$ :

1.  $V_{OUT0\_CFG}$ ,  $R_{TOP} = 10k$ ,  $R_{BOTTOM} = 15.8k$
2.  $V_{TRIM0\_CFG}$ , Open
3.  $V_{OUT1\_CFG}$ ,  $R_{TOP} = 24.9k$ ,  $R_{BOTTOM} = 11.3k$
4.  $V_{TRIM1\_CFG}$ ,  $R_{TOP} = \text{Open}$ ,  $R_{BOTTOM} = 0\Omega$

The frequency and phase are set by NVM or by setting the resistor divider between  $V_{DD25}$   $FREQ\_CFG$  and  $SGND$  with  $R_{TOP} = 20k$  and  $R_{BOTTOM} = 12.7k$ . The address is set to  $XF$  where  $X$  is the MSB stored in NVM.

## APPLICATIONS INFORMATION

The following parameters are set as a percentage of the output voltage if the resistor configuration pins are used to determined output voltage:

- VOUT\_OV\_FAULT\_LIMIT ..... +10%
- VOUT\_OV\_WARN ..... +7.5%
- VOUT\_MAX ..... +7.5%
- VOUT\_MARGIN\_HI ..... +5%
- POWER\_GOOD\_ON ..... -7%
- POWER\_GOOD\_OFF ..... -8%
- VOUT\_MARGIN\_LO ..... -5%
- VOUT\_UV\_WARN ..... -6.5%
- VOUT\_UV\_FAULT\_LIMIT ..... -7%

All other user defined parameters must be programmed into the NVM. The GUI can be utilized to quickly set up the part with the desired operating parameters.

The inductance values are based on a 35% maximum ripple current assumption (5.25A for each channel). The highest value of ripple current occurs at the maximum input voltage:

$$L = \frac{V_{OUT}}{f \cdot \Delta I_{L(MAX)}} \left[ 1 - \frac{V_{OUT}}{V_{IN(MAX)}} \right]$$

Channel 0 will require 1.05μH and channel 1 will require 0.624μH. The nearest standard values are 1μH and 0.68μH respectively. At the nominal input the ripple will be:

$$\Delta I_{L(NOM)} = \frac{V_{OUT}}{f \cdot L} \left[ 1 - \frac{V_{OUT}}{V_{IN(NOM)}} \right]$$

Channel 0 will have 4.79A (32%) ripple, and channel 1 will have 5.5A (30%) ripple. The peak inductor current will be the maximum DC value plus one-half the ripple current or 17.39A for channel 0 and 17.75A for channel 1. The minimum on time occurs on channel 1 at the maximum  $V_{IN}$ , and should not be less than 90ns:

$$t_{ON(MIN)} = \frac{V_{OUT}}{V_{IN(MAX)} \cdot f} = \frac{1.8V}{20V(500kHz)} = 180ns$$

The Vishay IHL4040DZ-11 1μH (2.3mΩ DCR<sub>TYP</sub> at 25°C) channel 0 and the Vishay IHL4040DZ-11 0.56μH (1.61mΩ DCR<sub>TYP</sub> at 25°C) channel 1 are chosen.

Assuming the temperature measurement of the inductor temperature is accurate and C1 is set to 0.2μF, R<sub>D</sub> is infinite and removed from the equations.

$$R_0 = \frac{L}{(DCR \text{ at } 25^\circ C) \cdot C_1} = \frac{1\mu H}{2.3m\Omega \cdot 0.22\mu F} = 2k$$

The maximum power loss in R<sub>0</sub> is related to the duty cycle, and will occur in continuous mode at the maximum input voltage:

$$P_{LOSSR_0} = \frac{(V_{IN(MAX)} - V_{OUT}) \cdot V_{OUT}}{R_1} = \frac{(20 - 3.3) \cdot 3.3}{2k} = 27.55mW$$

The respective values for channel 1 are R<sub>1</sub> = 2k, R<sub>2</sub> is open and P<sub>LOSSR<sub>1</sub></sub> = 20.73mW.

The current limit will be set 20% higher than the peak value to assure variation in components and noise in the system do not limit the average current.

$$V_{ILIMIT} = I_{PEAK} \cdot R_{DCR(MAX)} = 17.39A \cdot 2.5m\Omega = 43mV$$

The closest  $V_{ILIMIT}$  setting is 42.9mV or 46.4mV. The values are entered with the IOUT\_OC\_FAULT\_LIMIT command. Based on expected variation and measurement in the lab across the sense capacitor the user can determine the optimal setting. For channel 1 the  $V_{ILIMIT}$  value is 28.6mV. The closest value is 28.6mV.

The power dissipation on the top side MOSFET can be easily estimated. Choose a RENESAS RJK0305DPB topside MOSFET. R<sub>DS(ON)</sub> = 10mΩ, C<sub>MILLER</sub> = 75pF. At maximum input voltage with T estimated = 50°C and a bottom side MOSFET a RENESAS RJK0330DPB, R<sub>DS(ON)</sub> = 3mΩ:

$$P_{MAIN} = \frac{3.3V}{20V} \cdot (17.39)^2 \cdot \left[ 1 + (0.005)(50^\circ C - 25^\circ C) \right] \cdot 0.006\Omega + (20V)^2 (8.695A) \cdot \left( \frac{1}{5 - 2.3} + \frac{1}{2.3} \right) (75pF)(500kHz) = 0.386W$$

## APPLICATIONS INFORMATION

The loss in the bottom side MOSFET is:

$$P_{\text{SYNC}} = \frac{(20\text{V} - 3.3\text{V})}{20\text{V}} \cdot (17.39\text{A})^2 \cdot \left[ 1 + (0.005)(50^\circ\text{C} - 25^\circ\text{C}) \right] \cdot 0.001\Omega = 0.312\text{W}$$

Both MOSFETS have  $I^2R$  losses while the  $P_{\text{MAIN}}$  equation includes an additional term for transition losses, which are highest at high input voltages.

$C_{\text{IN}}$  is chosen for an RMS current rating of:

$$C_{\text{IN Required } I_{\text{RMS}}} = \frac{17.39}{20} \left[ (3.3) \cdot (20 - 3.3) \right]^{1/2} = 6.5\text{A}$$

at temperature assuming only channel 0 or 1 is on.  $C_{\text{OUT}}$  is chosen with an ESR of  $0.006\Omega$  for low output ripple. The output ripple in continuous mode will be highest at the maximum input voltage. The output voltage ripple due to ESR is

$$V_{\text{ORIPPLE}} = R(\Delta I_L) = 0.006\Omega \cdot 5.5\text{A} = 33\text{mV}.$$

### CONNECTING THE USB TO THE I<sup>2</sup>C/SMBus/PMBus CONTROLLER TO THE LTC3880 IN SYSTEM

The LTC USB to I<sup>2</sup>C/SMBus/PMBus controller can be interfaced to the LTC3880 on the user's board for programming, telemetry and system debug. The controller, when used in conjunction with LTpowerPlay, provides a powerful way to debug an entire power system. Faults are quickly diagnosed using telemetry, fault status registers and the fault log. The final configuration can be quickly developed and stored to the LTC3880 EEPROM.

Figure 28 illustrates the application schematic for powering, programming and communication with one or more LTC3880s via the LTC I<sup>2</sup>C/SMBus/PMBus controller regardless of whether or not system power is present. If system power is not present the dongle will power the LTC3880 through the  $V_{\text{DD33}}$  supply pin. To initialize the part when  $V_{\text{IN}}$  is not applied and the  $V_{\text{DD33}}$  pin is powered use global address 5B command 0xBD data 0x2B followed by address 5B command 0xBD data 0xC4. The part can now be communicated with, and the project file updated. To write the updated project file to the NVM issue a STORE\_USER\_ALL command. When  $V_{\text{IN}}$  is

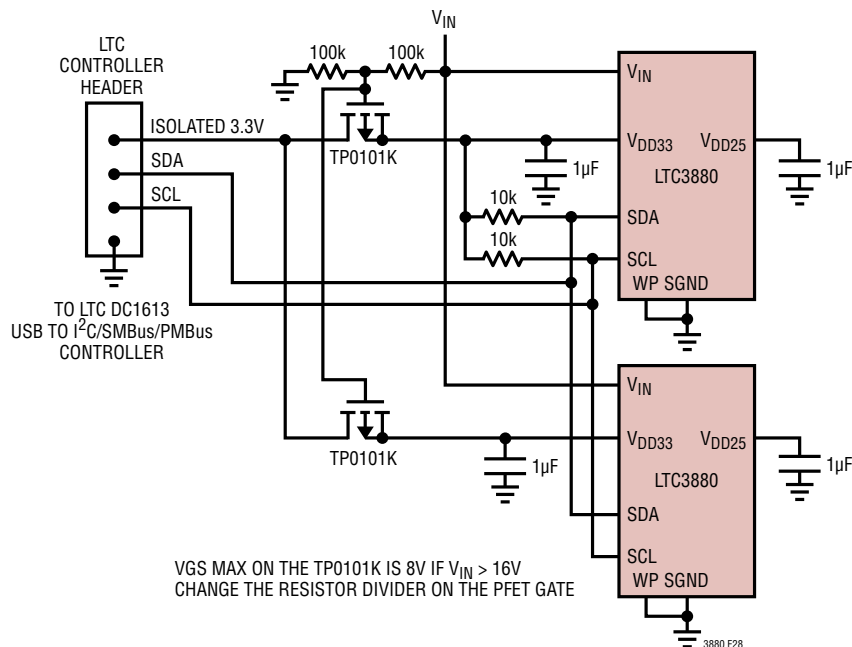


Figure 28. LTC Controller Connection

## APPLICATIONS INFORMATION

applied, a MFR\_RESET must be issued to allow the PWM to be enabled and valid ADCs to be read.

Because of the controllers limited current sourcing capability, only the LTC3880s, their associated pull-up resistors and the I<sup>2</sup>C pull-up resistors should be powered from the ORed 3.3V supply. In addition any device sharing the I<sup>2</sup>C bus connections with the LTC3880 should not have body diodes between the SDA/SCL pins and their respective V<sub>DD</sub> node because this will interfere with bus communication in the absence of system power. If VIN is applied the dongle will not supply the LTC3880s on the board. It is recommended the RUN pins be held low to avoid providing power to the load until the part is fully configured.

The LTC controller I<sup>2</sup>C connections are optoisolated from the PC USB. The 3.3V from the controller and the LTC3880 V<sub>DD33</sub> pin must be driven to each LTC3880 with a separate

PFET. If V<sub>IN</sub> is not applied, the V<sub>DD33</sub> pins can be in parallel because the on-chip LDO is off. The controller 3.3V current limit is 100mA but typical V<sub>DD33</sub> currents are under 15mA. The V<sub>DD33</sub> does back drive the INTV<sub>CC</sub>/EXTV<sub>CC</sub> pin. Normally this is not an issue if V<sub>IN</sub> is open.

## LTpowerPlay: AN INTERACTIVE GUI FOR DIGITAL POWER

LTpowerPlay is a powerful Windows-based development environment that supports Linear Technology digital power ICs including the LTC3880. The software supports a variety of different tasks. LTpowerPlay can be used to evaluate Linear Technology ICs by connecting to a demo board or the user application. LTpowerPlay can also be used in an offline mode (with no hardware present) in order to build multiple IC configuration files that can be

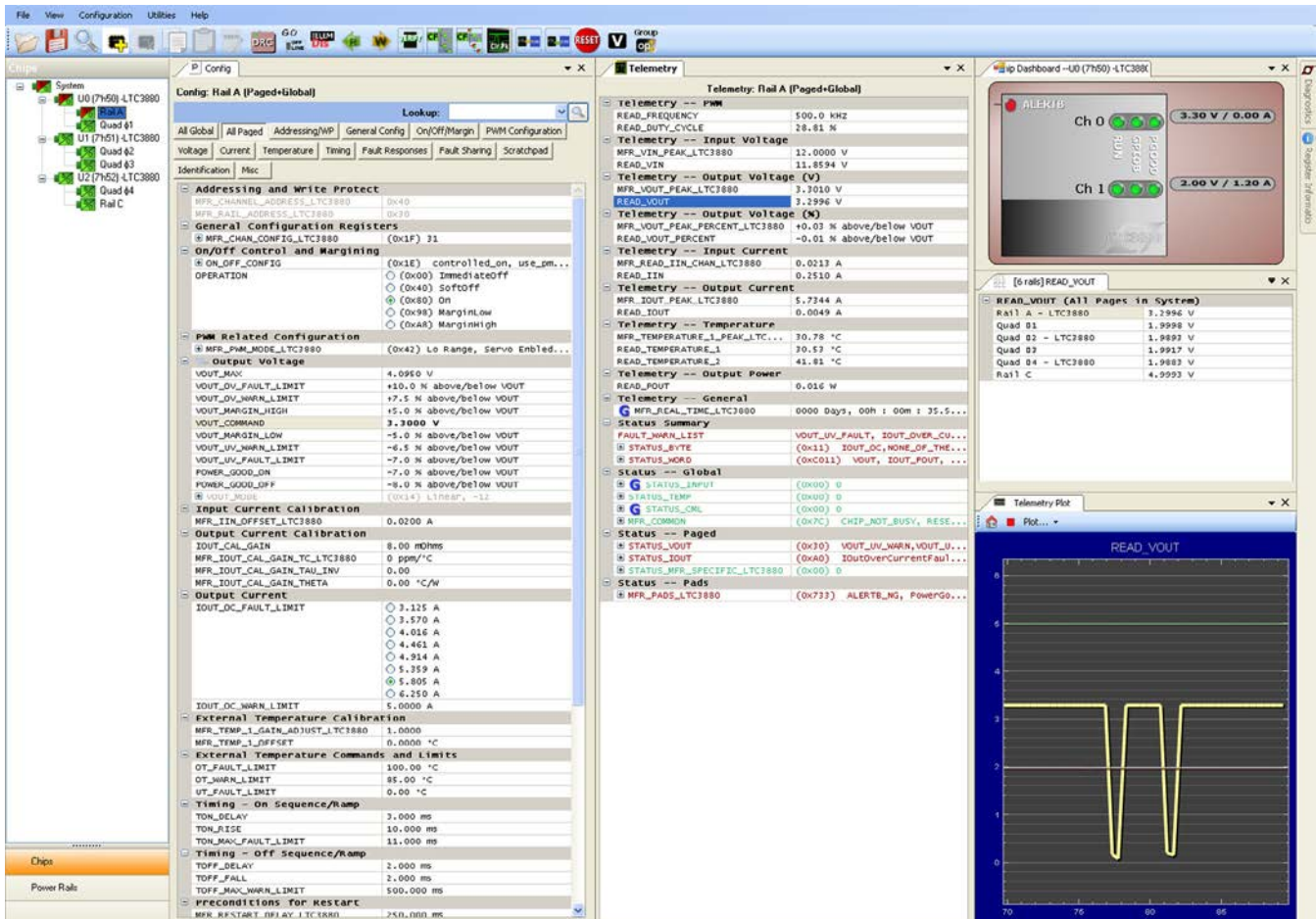


Figure 29

## APPLICATIONS INFORMATION

saved and re-loaded at a later time. LTpowerPlay provides unprecedented diagnostic and debug features. It becomes a valuable diagnostic tool during board bring-up to program or tweak the power system or to diagnose power issues when bring up rails. LTpowerPlay utilizes Linear Technology's USB-to-I<sup>2</sup>C/SMBus/PMBus controller to communication with one of the many potential targets including the DC1590B-A/B demo board, the DC1709A socketed programming board, or a customer target system. The software also provides an automatic update feature to keep the revisions current with the latest set of device drivers and documentation. A great deal of context sensitive help is available with LTpowerPlay along with several tutorial demos. Complete information is available at <http://www.linear.com/ltpowerplay>.

### PMBus COMMUNICATION AND COMMAND PROCESSING

The LTC3880/LTC3880-1 have a one deep buffer to hold the last data written for each supported command prior to processing as shown in Figure 30; Write Command Data Processing. When the part receives a new command from the bus, it copies the data into the Write Command Data Buffer, indicates to the internal processor that this command data needs to be fetched, and converts the command to its internal format so that it can be executed.

Two distinct parallel blocks manage command buffering and command processing (fetch, convert, and execute) to ensure the last data written to any command is never lost. Command data buffering handles incoming PMBus writes by storing the command data to the Write Command Data Buffer and marking these commands for future

processing. The internal processor runs in parallel and handles the sometimes slower task of fetching, converting and executing commands marked for processing.

Some computationally intensive commands (e.g., timing parameters, temperatures, voltages and currents) have internal processor execution times that may be long relative to PMBus timing. If the part is busy processing a command, and new command(s) arrive, execution may be delayed or processed in a different order than received. The part indicates when internal calculations are in process via bit 5 of MFR\_COMMON ('calculations not pending'). When the part is busy calculating, bit 5 is cleared. When this bit is set, the part is ready for another command. An example polling loop is provided in Figure 30 which ensures that commands are processed in order while simplifying error handling routines.

When the part receives a new command while it is busy, it will communicate this condition using standard PMBus protocol. Depending on part configuration it may either NACK the command or return all ones (0xFF) for reads. It may also generate a BUSY fault and ALERT notification, or stretch the SCL clock low. For more information refer to PMBus Specification v1.1, Part II, Section 10.8.7 and SMBus v2.0 section 4.3.3. Clock stretching can be enabled by asserting bit 1 of MFR\_CONFIG\_ALL\_LTC3880. Clock stretching will only occur if enabled and the bus communication speed exceeds 100kHz.

PMBus busy protocols are well accepted standards, but can make writing system level software somewhat complex. The part provides three 'hand shaking' status bits which reduce complexity while enabling robust system level communication.

The three hand shaking status bits are in the MFR\_COMMON register. When the part is busy executing an internal operation, it will clear bit 6 of MFR\_COMMON ('chip not busy'). When the part is busy specifically because it is in a transitional VOUT state (margining hi/lo, power off/on, moving to a new output voltage set point, etc.) it will clear bit 4 of MFR\_COMMON ('output not in transition'). When internal calculations are in process, the part will clear bit 5 of MFR\_COMMON ('calculations not pending'). These three status bits can be polled with a PMBus read byte of the MFR\_COMMON register until all

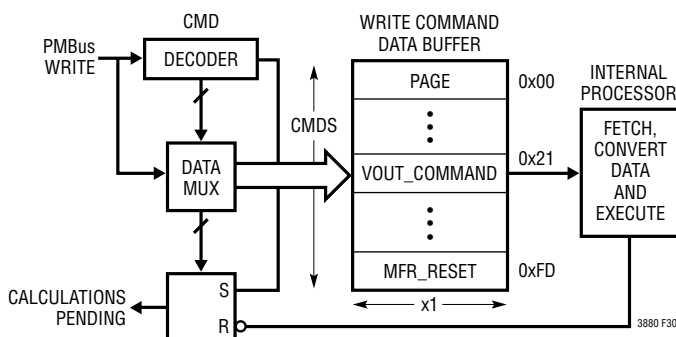


Figure 30. Write Command Data Processing

3880fg

## APPLICATIONS INFORMATION

three bits are set. A command immediately following the status bits being set will be accepted without NACKing or generating a BUSY fault/ $\overline{\text{ALERT}}$  notification. The part can NACK commands for other reasons, however, as required by the PMBus spec (for instance, an invalid command or data). An example of a robust command write algorithm for the VOUT\_COMMAND register is provided in Figure 31.

```
// wait until bits 6, 5, and 4 of MFR_COMMON are all set
do
{
    mfrCommonValue = PMBUS_READ_BYTE(0xEF);
    partReady = (mfrCommonValue & 0x68) == 0x68;
}while(!partReady)

// now the part is ready to receive the next command
PMBUS_WRITE_WORD(0x21, 0x2000); //write VOUT_COMMAND to 2V
```

**Figure 31. Example of a Command Write of VOUT\_COMMAND**

It is recommended that all command writes (write byte, write word, etc.) be preceded with a polling loop to avoid the extra complexity of dealing with busy behavior and unwanted ALERTB notification. A simple way to achieve this is to create a SAFE\_WRITE\_BYTE() and SAFE\_WRITE\_

WORD() subroutine. The above polling mechanism allows your software to remain clean and simple while robustly communicating with the part. For a detailed discussion of these topics and other special cases please refer to the application note section located at [www.linear.com/designtools/app\\_notes](http://www.linear.com/designtools/app_notes).

When communicating using bus speeds at or below 100kHz, the polling mechanism shown here provides a simple solution that ensures robust communication without clock stretching. At bus speeds in excess of 100kHz, it is strongly recommended that the part be configured to enable clock stretching. This requires a PMBus master that supports clock stretching. System software that detects and properly recovers from the standard PMBus NACK/BUSY faults as described in the PMBus Specification v1.1, Part II, Section 10.8.7 is required to communicate above 100kHz without clock stretching.

## PMBus COMMAND DETAILS

### ADDRESSING AND WRITE PROTECT

COMMAND NAME	CMD CODE	DESCRIPTION	TYPE	PAGED	DATA FORMAT	UNITS	NVM	DEFAULT VALUE
PAGE	0x00	Channel or page currently selected for any command that supports paging.	R/W Byte	N	Reg			0x00
WRITE_PROTECT	0x10	Level of protection provided by the device against accidental changes.	R/W Byte	N	Reg		Y	0x00
MFR_ADDRESS	0xE6	Sets the 7-bit I <sup>2</sup> C address byte.	R/W Byte	N	Reg		Y	0x4F
MFR_CHANNEL_ADDRESS	0xD8	Address to the PAGE activated channel	R/W Byte	Y	Reg		Y	0x80
MFR_RAIL_ADDRESS	0xFA	Common address for PolyPhase outputs to adjust common parameters.	R/W Byte	Y	Reg		Y	0x80

### PAGE

The page command provides the ability to configure, control and monitor both outputs through only one physical address. Each PAGE contains the Operating Memory for each output.

Pages 0x00 and 0x01 correspond to channel 0 and channel 1, respectively, in this device.

Setting the page to 0xFF means that the commands are to be applied to both outputs. Performing READ commands with PAGE set to 0xFF will return the same value as PAGE 0. When PAGE is set to 0xFF there are no restrictions on R/W commands.

This command has one data byte.

### WRITE\_PROTECT

The WRITE\_PROTECT command is used to control writing to the LTC3880 device. This command does not indicate the status of the WP pin which is defined in the MFR\_COMMON command. The WP pin takes precedence over the value of this command unless the WRITE\_PROTECT command is more stringent.

BYTE	MEANING
0x80	Disable all writes except to the WRITE_PROTECT, PAGE_MFR_EE_UNLOCK and STORE_USER_ALL command
0x40	Disable all writes except to the WRITE_PROTECT, PAGE, MFR_EE_UNLOCK, MFR_CLEAR_PEAKS, STORE_USER_ALL, OPERATION and CLEAR_FAULTS command. Individual fault bits can be cleared by writing a 1 to the respective bits in the STATUS registers.
0x20	Disable all writes except to the WRITE_PROTECT, OPERATION, MFR_EE_UNLOCK, MFR_CLEAR_PEAKS, CLEAR_FAULTS, PAGE, ON_OFF_CONFIG, VOUT_COMMAND and STORE_USER_ALL. Individual fault bits can be cleared by writing a 1 to the respective bits in the STATUS registers.
0x10	Reserved, must be 0
0x08	Reserved, must be 0
0x04	Reserved, must be 0
0x02	Reserved, must be 0
0x01	Reserved, must be 0

Enable writes to all commands when WRITE\_PROTECT is set to 0x00.

This command has one data byte.

## **PMBus COMMAND DETAILS**

If WP pin is high, PAGE, OPERATION, MFR\_CLEAR\_PEAKS, MFR\_EE\_UNLOCK and CLEAR\_FAULTS commands are supported. Individual fault bits can be cleared by writing a 1 to the respective bits in the STATUS registers.

### ***MFR\_ADDRESS***

The MFR\_ADDRESS command byte sets the 7 bits of the PMBus slave address for this device.

Setting this command to a value of 0x80 disables device addressing. The GLOBAL device address, 0x5A and 0x5B, cannot be deactivated. If RCONFIG is set to ignore, the ASEL pin is still used to determine the LSB of the channel address. If the ASEL pin is open, the LTC3880 will use the address value stored in NVM.

This command has one data byte.

### ***MFR\_CHANNEL\_ADDRESS***

The MFR\_CHANNEL\_ADDRESS command enables direct device address access to the PAGE activated channel. The value of this command should be unique on the PMBus and should not be the same as another channel or device.

If this command is not set to 0x80, a status condition specific to this channel will result in the Alert Response Address (ARA) value to be equal to the value of the MFR\_CHANNEL\_ADDRESS command.

Setting this command to a value of 0x80 disables channel device addressing for the channel.

This command has one data byte.

### ***MFR\_RAIL\_ADDRESS***

The MFR\_RAIL\_ADDRESS command enables direct device address access to the PAGE activated channel. The value of this command should be common to all devices attached to a single power supply rail.

The user should only perform command writes to this address. If a read is performed from this address and the rail devices do not respond with EXACTLY the same value, the LTC3880 will detect bus contention and set a CML communications fault.

Setting this command to a value of 0x80 disables rail device addressing for the channel.

This command has one data byte.

## PMBus COMMAND DETAILS

### GENERAL CONFIGURATION REGISTERS

COMMAND NAME	CMD CODE	DESCRIPTION	TYPE	PAGED	DATA FORMAT	UNITS	NVM	DEFAULT VALUE
MFR_CHAN_CONFIG_LTC3880	0xD0	Configuration bits that are channel specific.	R/W Byte	Y	Reg		Y	0x1F
MFR_CONFIG_ALL_LTC3880	0xD1	Configuration bits that are common to all pages.	R/W Byte	N	Reg		Y	0x09

#### ***MFR\_CHAN\_CONFIG\_LTC3880***

General purpose configuration command common to multiple LTC products.

BIT	MEANING
7	Reserved
6	Reserved
5	Reserved
4	Disable RUN Low. When asserted the RUN pin is not pulsed low if commanded OFF
3	Short Cycle. When asserted the output will immediate off if commanded ON while waiting for TOFF_DELAY or TOFF_FALL. TOFF_MIN of 120mS is honored then the part will command ON.
2	SHARE_CLOCK control, if SHARE_CLOCK is held low, the output is disabled
1	No GPIO ALERT, ALERT is not pulled low if GPIO is pulled low externally. Assert this bit if either POWER_GOOD or VOUT_UVUF (PGOOD) is propagated on GPIO
0	Disables the VOUT decay value requirement for MFR_RETRY_TIME processing. When this bit is set to a 0, the output must decay to less than 12.5% of the programmed value for any action that turns off the rail including a fault, an OFF/ON command, or a toggle of RUN from high to low to high.

This command has one data byte.

#### ***MFR\_CONFIG\_ALL\_LTC3880***

General purpose configuration command common to multiple LTC products

BIT	MEANING
7	Enable Fault Logging
6	Ignore Resistor Configuration Pins
5	Reserved, set to 1
4	Reserved
3	Mask PLL Unlock Fault
2	PMBus command writes require a valid Packet Error Checking, PEC, byte to be accepted.*
1	Enable the use of PMBus clock stretching
0	Enables a low to high transition on either RUN pin to issue a CLEAR_FAULTS command

\*PMBus command writes that have a valid PEC byte are always processed. PMBus command writes that have an invalid PEC byte are not processed and set a CML status fault.

This command has one data byte.

## PMBus COMMAND DETAILS

### ON/OFF/MARGIN

COMMAND NAME	CMD CODE	DESCRIPTION	TYPE	PAGED	DATA FORMAT	UNITS	NVM	DEFAULT VALUE
ON_OFF_CONFIG	0x02	RUN pin and PMBus bus on/off command configuration.	R/W Byte	Y	Reg		Y	0x1E
OPERATION	0x01	Operating mode control. On/off, margin high and margin low.	R/W Byte	Y	Reg		Y	0x80
MFR_RESET	0xFD	Commanded reset without requiring a power-down.	Send Byte	N				NA

### ON\_OFF\_CONFIG

The ON\_OFF\_CONFIG command configures the combination of RUN $n$  pin input and serial bus commands needed to turn the unit on and off. This includes how the unit responds when power is applied.

**Table 3. Supported Values:**

VALUE	MEANING
0x1F	OPERATION value and RUN $n$ pin must both command the device to start/run. Device executes immediate off when commanded off.
0x1E	OPERATION value and RUN $n$ pin must both command the device to start/run. Device uses TOFF_command values when commanded off.
0x17	RUN $n$ pin control with immediate off when commanded off. OPERATION on/off control ignored.
0x19	RUN $n$ pin control using TOFF_command values when commanded off. OPERATION on/off control ignored.

Note: A high on the RUN pin is always required to start power conversion. Power conversion will always stop with a low on RUN.

Programming an unsupported ON\_OFF\_CONFIG value will generate a CML fault and the command will be ignored.

This command has one data byte.

## PMBus COMMAND DETAILS

### OPERATION

The OPERATION command is used to turn the unit on and off in conjunction with the input from the RUN $n$  pins. It is also used to cause the unit to set the output voltage to the upper or lower MARGIN VOLTAGEs. The unit stays in the commanded operating mode until a subsequent OPERATION command or change in the state of the RUN $n$  pin instructs the device to change to another mode. If the part is stored in the MARGIN\_LOW/HIGH state, the next RESET or POWER\_ON cycle will ramp to that state. If the OPERATION command is modified, for example ON is changed to MARGIN\_LOW, the output will move at a fixed slope set by the VOUT\_TRANSITION\_RATE.

Margin High (Ignore Faults) and Margin Low (Ignore Faults) operations are not supported by the LTC3880.

The part defaults to the ON state.

This command has one data byte.

**Table 4. OPERATION Command Detail Register OPERATION Data Contents When On\_Off\_Config\_Use\_PMBus Enables Operation\_Control**

SYMBOL	Action	Value
<b>BITS</b>		
<b>FUNCTION</b>	Turn off immediately	0x00
	Turn on	0x80
	Margin Low	0x98
	Margin High	0xA8
	Sequence off	0x40

**OPERATION Data Contents When On\_Off\_Config is Configured Such That OPERATION Command Is Not Used to Command Channel On or Off**

SYMBOL	Action	Value
<b>BITS</b>		
<b>FUNCTION</b>	Output at Nominal	0x80
	Margin Low	0x98
	Margin High	0xA8

Note: Attempts to write a reserved value will cause a CML fault.

### MFR\_RESET

This command provides a means by which the user can perform a reset of the LTC3880.

This write-only command has no data bytes.

## PMBus COMMAND DETAILS

### PWM CONFIG

COMMAND NAME	CMD CODE	DESCRIPTION	TYPE	PAGED	DATA FORMAT	UNITS	NVM	DEFAULT VALUE
MFR_PWM_MODE_LTC3880	0xD4	Configuration for the PWM engine of each channel	R/W Byte	Y	Reg		Y	0xC2
MFR_PWM_CONFIG_LTC3880	0xF5	Set numerous parameters for the DC/DC controller including phasing.	R/W Byte	N	Reg		Y	0x10
FREQUENCY_SWITCH	0x33	Switching frequency of the controller	R/W Word	N	L11	kHz	Y	350 0xFABC

#### ***MFR\_PWM\_MODE\_LTC3880***

The MFR\_PWM\_MODE\_LTC3880 command allows the user to program the PWM controller to use Burst Mode operation, discontinuous (pulse-skipping mode), or forced continuous conduction mode.

BIT	MEANING
7	Use High Range of I <sub>LIMIT</sub> 0 – Low Current Range 1 – High Current Range
6	Enable Servo Mode
5	Reserved
4	Reserved
3	Reserved
2	Reserved
Bit[1:0]	Mode
00b	Discontinuous
01b	Burst Mode Operation
10b	Forced Continuous

Whenever the channel is ramping on, the PWM mode will be discontinuous, regardless of the value of this command.

Bit [7] of this command determines if the part is in high range or low range of the IOUT\_OC\_FAULT\_LIMIT command. Changing this bit value changes the PWM loop gain and compensation. Changing this bit value whenever an output is active may have detrimental system results.

Bit [6] The LTC3880 will not servo while the part is OFF, ramping on or ramping off. When set to a one, the output servo is enabled. The output set point DAC will be slowly adjusted to minimize the difference between the READ\_VOUT\_ADC and the VOUT\_COMMAND (or the appropriate margined value).

This command has one data byte.

#### ***MFR\_PWM\_CONFIG\_LTC3880***

The MFR\_PWM\_CONFIG\_LTC3880 command sets the switching frequency phase offset with respect to the falling edge of the SYNC signal. The part must be in the OFF state to process this command. Either the RUN pins must be low or the part must be commanded off. If the part is in the RUN state and this command is written, the command will be ignored and a BUSY fault will be asserted. Bits 5 and 6 of this command affect the loop gain of the respective channels which may require modifications to the external compensation network.

## PMBus COMMAND DETAILS

BIT	MEANING	
7	Reserved, set to 0.	
6	If $V_{OUT0}$ RANGE = 1, the maximum output voltage for V0 is 2.75V. If RANGE = 0, the maximum output voltage for V0 is 4.096V.	
5	If $V_{OUT1}$ RANGE = 1, the maximum output voltage for V1 is 2.75V. If RANGE = 0, the maximum output voltage for V1 is 5.5V.	
4	Share Clock Enable : If this bit is 1, the SHARE_CLK pin will not be released until $V_{IN} > VIN\_ON$ . The SHARE_CLK pin will be pulled low when $V_{IN} < VIN\_OFF$ . If this bit is 0, the SHARE_CLK pin will not be pulled low when $V_{IN} < VIN\_OFF$ except for the initial application of VIN.	
3	Reserved	
BIT [2:0]	CHANNEL 0 (DEGREES)	CHANNEL 1 (DEGREES)
000b	0	180
001b	90	270
010b	0	240
011b	0	120
100b	120	240
101b	60	240
110b	120	300

This command has one data byte.

### FREQUENCY\_SWITCH

The FREQUENCY\_SWITCH command sets the switching frequency, in kHz, of a PMBus device.

Supported Frequencies:

VALUE [15:0]	RESULTING FREQUENCY (TYP)
0x0000	External Oscillator
0xF3E8	250kHz
0xFABC	350kHz
0xFB52	425kHz
0xFBE8	500kHz
0x023F	575kHz
0x028A	650kHz
0x02EE	750kHz
0x03E8	1000kHz

The part must be in the OFF state to process this command. Either the RUN pins must be low or the part must be commanded off. If the part is in the RUN state and this command is written, the command will be ignored and a BUSY fault will be asserted. When the part is commanded off and the frequency is changed, a PLL\_UNLOCK status may be detected as the PLL locks onto the new frequency.

This command has two data bytes and is formatted in Linear\_5s\_11s format.

**PMBus COMMAND DETAILS****VOLTAGE****Input Voltage and Limits**

COMMAND NAME	CMD CODE	DESCRIPTION	TYPE	PAGED	DATA FORMAT	UNITS	NVM	DEFAULT VALUE
VIN_OV_FAULT_LIMIT	0x55	Input supply overvoltage fault limit.	R/W Word	N	L11	V	Y	15.5 0xD3E0
VIN_UV_WARN_LIMIT	0x58	Input supply undervoltage warning limit.	R/W Word	N	L11	V	Y	6.3 0xCB26
VIN_ON	0x35	Input voltage at which the unit should start power conversion.	R/W Word	N	L11	V	Y	6.5 0xCB40
VIN_OFF	0x36	Input voltage at which the unit should stop power conversion.	R/W Word	N	L11	V	Y	6.0 0xCB00

***VIN\_OV\_FAULT\_LIMIT***

The VIN\_OV\_FAULT\_LIMIT command sets the value of the measured input voltage, in volts, that causes an input overvoltage fault. The fault is detected with the A/D converter resulting in latency up to 90ms.

This command has two data bytes and is formatted in Linear\_5s\_11s format.

***VIN\_UV\_WARN\_LIMIT***

The VIN\_UV\_WARN\_LIMIT command sets the value of the input voltage that causes an input undervoltage warning. The warning is detected with the A/D converter resulting in latency up to 90ms.

This command has two data bytes and is formatted in Linear\_5s\_11s format.

***VIN\_ON***

The VIN\_ON command sets the input voltage, in volts, at which the unit should start power conversion.

This command has two data bytes and is formatted in Linear\_5s\_11s format.

***VIN\_OFF***

The VIN\_OFF command sets the input voltage, in volts, at which the unit should stop power conversion.

This command has two data bytes and is formatted in Linear\_5s\_11s format.

## PMBus COMMAND DETAILS

### Output Voltage and Limits

COMMAND NAME	CMD CODE	DESCRIPTION	TYPE	PAGED	DATA FORMAT	UNITS	NVM	DEFAULT VALUE
VOUT_MODE	0x20	Output voltage format and exponent ( $2^{-12}$ ).	R Byte	Y	Reg			$2^{-2}$ 0x14
VOUT_MAX	0x24	Upper limit on the commanded output voltage including VOUT_MARGIN_HIGH.	R/W Word	Y	L16	V	Y	4.096 Ch0 0x4189 5.5 Ch1 0x5800
VOUT_OV_FAULT_LIMIT	0x40	Output overvoltage fault limit.	R/W Word	Y	L16	V	Y	1.1 0x119A
VOUT_OV_WARN_LIMIT	0x42	Output overvoltage warning limit.	R/W Word	Y	L16	V	Y	1.075 0x1133
VOUT_MARGIN_HIGH	0x25	Margin high output voltage set point. Must be greater than VOUT_COMMAND.	R/W Word	Y	L16	V	Y	1.05 0x10CD
VOUT_COMMAND	0x21	Nominal output voltage set point.	R/W Word	Y	L16	V	Y	1.0 0x1000
VOUT_MARGIN_LOW	0x26	Margin low output voltage set point. Must be less than VOUT_COMMAND.	R/W Word	Y	L16	V	Y	0.95 0x0F33
VOUT_UV_WARN_LIMIT	0x43	Output undervoltage warning limit.	R/W Word	Y	L16	V	Y	0.925 0x0ECD
VOUT_UV_FAULT_LIMIT	0x44	Output undervoltage fault limit.	R/W Word	Y	L16	V	Y	0.9 0x0E66
POWER_GOOD_ON	0x5E	Output voltage at or above which a power good should be asserted.	R/W Word	Y	L16	V	Y	0.93 0x0EE1
POWER_GOOD_OFF	0x5F	Output voltage at or below which a power good should be de-asserted.	R/W Word	Y	L16	V	Y	0.92 0x0EB8
MFR_VOUT_MAX	0xA5	Maximum allowed voltage command including VOUT_OV_FAULT_LIMIT.	R Word	Y	L16	V		4.096 Ch0 5.5 Ch1

#### ***VOUT\_MODE***

The data byte for VOUT\_MODE command, used for commanding and reading output voltage, consists of a 3-bit mode (only linear format is supported) and a 5-bit parameter representing the exponent used in output voltage Read/Write commands.

This read-only command has one data byte

#### ***VOUT\_MAX***

The VOUT\_MAX command sets an upper limit on the output voltage, including VOUT\_MARGIN\_HIGH, the unit can command regardless of any other commands or combinations.

This command has two data bytes and is formatted in Linear\_16u format.

#### ***VOUT\_OV\_FAULT\_LIMIT***

The VOUT\_OV\_FAULT\_LIMIT command sets the value of the output voltage measured at the sense pins, in volts, which causes an output overvoltage fault.

If the VOUT\_OV\_FAULT\_LIMIT is modified and the switcher is active, allow 10ms after the command is modified to assure the new value is being honored. The part indicates if it is busy making a calculation. Monitor bits 5 and 6 of

## PMBus COMMAND DETAILS

MFR\_COMMON. Either bit is low if the part is busy. If this wait time is not met, and the VOUT\_COMMAND is modified above the old overvoltage limit, an OV condition might temporarily be detected resulting in undesirable behavior and possible damage to the switcher.

If VOUT\_OV\_FAULT\_RESPONSE is set to OV\_PULLDOWN, the  $\overline{\text{GPIO}}$  pin will not assert if VOUT\_OV\_FAULT is propagated. The LTC3880 will pull the TG low and assert the BG bit as soon as the overvoltage condition is detected.

This command has two data bytes and is formatted in Linear\_16u format.

### ***VOUT\_OV\_WARN\_LIMIT***

The VOUT\_OV\_WARN\_LIMIT command sets the value of the output voltage measured at the sense pins, in volts, which causes an output voltage high warning. The READ\_VOUT value will be used to determine if this limit has been exceeded.

In response to the VOUT\_OV\_WARN\_LIMIT being exceeded, the device:

- Sets the NONE\_OF\_THE\_ABOVE bit in the STATUS\_BYTE
- Sets the VOUT bit in the STATUS\_WORD
- Sets the VOUT Overvoltage Warning bit in the STATUS\_VOUT command
- Notifies the host by asserting  $\overline{\text{ALERT}}$  pin

This condition is detected by the ADC so the response time may be up to 90ms.

This command has two data bytes and is formatted in Linear\_16u format.

### ***VOUT\_MARGIN\_HIGH***

The VOUT\_MARGIN\_HIGH command loads the unit with the voltage to which the output is to be changed, in volts, when the OPERATION command is set to “Margin High”. The value must be greater than VOUT\_COMMAND.

This command will not be acted on during TON\_RISE and TOFF\_FALL output sequencing. The VOUT\_TRANSITION\_RATE will be used if this command is modified while the output is active and in a steady-state condition.

This command has two data bytes and is formatted in Linear\_16u format.

### ***VOUT\_COMMAND***

The VOUT\_COMMAND consists of two bytes and is used to set the output voltage, in volts.

This command will not be acted on during TON\_RISE and TOFF\_FALL output sequencing. The VOUT\_TRANSITION\_RATE will be used if this command is modified while the output is active and in a steady-state condition.

This command has two data bytes and is formatted in Linear\_16u format.

### ***VOUT\_MARGIN\_LOW***

The VOUT\_MARGIN\_LOW command loads the unit with the voltage to which the output is to be changed, in volts, when the OPERATION command is set to “Margin Low”. The value must be less than VOUT\_COMMAND.

This command will not be acted on during TON\_RISE and TOFF\_FALL output sequencing. The VOUT\_TRANSITION\_RATE will be used if this command is modified while the output is active and in a steady-state condition.

This command has two data bytes and is formatted in Linear\_16u format.

## PMBus COMMAND DETAILS

### ***VOUT\_UV\_WARN\_LIMIT***

The VOUT\_UV\_WARN\_LIMIT command reads the value of the output voltage measured at the sense pins, in volts, which causes an output voltage low warning.

In response to the VOUT\_UV\_WARN\_LIMIT being exceeded, the device:

- Sets the NONE\_OF\_THE\_ABOVE bit in the STATUS\_BYTE
- Sets the VOUT bit in the STATUS\_WORD
- Sets the VOUT Undervoltage Warning bit in the STATUS\_VOUT command
- Notifies the host by asserting  $\overline{\text{ALERT}}$  pin

This condition is detected by the ADC so the response time may be up to 90ms.

This command has two data bytes and is formatted in Linear\_16u format.

### ***VOUT\_UV\_FAULT\_LIMIT***

The VOUT\_UV\_FAULT\_LIMIT command reads the value of the output voltage measured at the sense pins, in volts, which causes an output undervoltage fault.

This command has two data bytes and is formatted in Linear\_16u format.

### ***POWER\_GOOD\_ON***

The POWER\_GOOD\_ON command sets the output voltage at which the POWER\_GOOD signal should be asserted. POWER\_GOOD\_ON is detected with an A/D read resulting in latency of up to 90ms.

This command has two data bytes and is formatted in Linear\_16u format.

### ***POWER\_GOOD\_OFF***

The POWER\_GOOD\_OFF command sets the output voltage at which the POWER\_GOOD signal should be negated. POWER\_GOOD\_OFF is detected with an A/D read resulting in latency of up to 90ms. At initial power up the output of this pin will be high even though the state should be low. If the proper state at power-up is required, place a Schottky diode between RUN and  $\overline{\text{GPIO}}$ . The Anode must be tied to  $\overline{\text{GPIO}}$  and the Cathode to RUN.

The POWER\_GOOD\_ON status is masked from initiating an  $\overline{\text{ALERT}}$ . The POWER\_GOOD status bit in the STATUS\_WORD command is always reflective of VOUT wrt. the POWER\_GOOD threshold.

This command has two data bytes and is formatted in Linear\_16u format.

### ***MFR\_VOUT\_MAX***

The MFR\_VOUT\_MAX command is the maximum output voltage in volts for each channel including VOUT\_OV\_FAULT\_LIMIT. If the output voltages are set to high range (Bits 5 and 6 of MFR\_PWM\_CONFIG\_LTC3880 set to a 0) MFR\_VOUT\_MAX for channel 0 is 4.096V and MFR\_VOUT\_MAX for channel 1 is 5.5V. If the output voltages are set to low range (Bits 5 and 6 of MFR\_PWM\_CONFIG\_LTC3880 set to a 1) the MFR\_VOUT\_MAX for both channels is 2.75V. Entering VOUT\_COMMAND values greater than this will result in a CML fault and the output voltage setting will be clamped to the maximum level.

This read-only command has 2 data bytes and is formatted in Linear\_16u format.

**PMBus COMMAND DETAILS****CURRENT****Input Current Calibration**

COMMAND NAME	CMD CODE	DESCRIPTION	TYPE	PAGED	DATA FORMAT	UNITS	NVM	DEFAULT VALUE
MFR_IIN_OFFSET	0xE9	Coefficient used to add to the input current to account for the IQ of the part.	R/W Word	Y	L11	A	Y	0.050 0x9333

***MFR\_IIN\_OFFSET***

The MFR\_IIN\_OFFSET command allows the user to set an input current representing the quiescent current of each channel. For accurate results at low output current, the part should be in continuous conduction mode.

This command has 2 data bytes and is formatted in Linear\_5s\_11s format.

**Output Current Calibration**

COMMAND NAME	CMD CODE	DESCRIPTION	TYPE	PAGED	DATA FORMAT	UNITS	NVM	DEFAULT VALUE
IOUT_CAL_GAIN	0x38	The ratio of the voltage at the current sense pins to the sensed current. For devices using a fixed current sense resistor, it is the resistance value in mΩ.	R/W Word	Y	L11	mΩ	Y	1.8 0xBB9A
MFR_IOUT_CAL_GAIN_TC	0xF6	Temperature coefficient of the current sensing element.	R/W Word	Y	CF		Y	3900 0x0F3C

***IOUT\_CAL\_GAIN***

The IOUT\_CAL\_GAIN command is used to set the resistance value of the current sense resistor in milliohms. (see also MFR\_IOUT\_CAL\_GAIN\_TC).

This command has two data bytes and is formatted in Linear\_5s\_11s format.

***MFR\_IOUT\_CAL\_GAIN\_TC***

The MFR\_IOUT\_CAL\_GAIN\_TC command allows the user to program the temperature coefficient of the IOUT\_CAL\_GAIN sense resistor or inductor DCR in ppm/°C.

This command has two data bytes and is formatted in 16-bit 2's complement integer ppm.  $N = -32768$  to  $32767 \cdot 10^{-6}$ . Nominal temperature is 27°C. The IOUT\_CAL\_GAIN is multiplied by:

$$[1.0 + \text{MFR\_IOUT\_CAL\_GAIN\_TC} \cdot (\text{READ\_TEMPERATURE\_1-27})]. \text{ DCR sensing will have a typical value of 3900.}$$

The IOUT\_CAL\_GAIN and MFR\_IOUT\_CAL\_GAIN\_TC impact all current parameters including: READ\_IOUT, READ\_IIN, IOUT\_OC\_FAULT\_LIMIT and IOUT\_OC\_WARN\_LIMIT.

**Input Current**

COMMAND NAME	CMD CODE	DESCRIPTION	TYPE	PAGED	DATA FORMAT	UNITS	NVM	DEFAULT VALUE
IIN_OC_WARN_LIMIT	0x5D	Input overcurrent warning limit.	R/W Word	N	L11	A	Y	10.0 0xD280

## PMBus COMMAND DETAILS

### IIN\_OC\_WARN\_LIMIT

The IIN\_OC\_WARN\_LIMIT command sets the value of the input current, in amperes, that causes a warning indicating the input current is high. The READ\_IIN value will be used to determine if this limit has been exceeded.

In response to the IIN\_OC\_WARN\_LIMIT being exceeded, the device:

- Sets the OTHER bit in the STATUS\_BYTE
- Sets the INPUT bit in the upper byte of the STATUS\_WORD
- Sets the IIN Overcurrent Warning bit in the STATUS\_INPUT command, and
- Notifies the host by asserting  $\overline{\text{ALERT}}$  pin

This condition is detected by the ADC so the response time may be up to 90ms.

This command has two data bytes and is formatted in Linear\_5s\_11s format.

### Output Current

COMMAND NAME	CMD CODE	DESCRIPTION	TYPE	PAGED	DATA FORMAT	UNITS	NVM	DEFAULT VALUE
IOUT_OC_FAULT_LIMIT	0x46	Output overcurrent fault limit.	R/W Word	Y	L11	A	Y	29.75 0xDBB8
IOUT_OC_WARN_LIMIT	0x4A	Output overcurrent warning limit.	R/W Word	Y	L11	A	Y	20.0 0xDA80

### IOUT\_OC\_FAULT\_LIMIT

The IOUT\_OC\_FAULT\_LIMIT command sets the value of the peak output current limit, in amperes. When the controller is in current limit, the overcurrent detector will indicate an overcurrent fault condition. The programmed overcurrent fault limit value is rounded up to the nearest one of the following set of discrete values:

25mV/IOUT_CAL_GAIN	Low Range (1.5x Nominal Loop Gain) MFR_PWM_MODE_LTC3880 [7]=0
28.6mV/IOUT_CAL_GAIN	
32.1mV/IOUT_CAL_GAIN	
35.7mV/IOUT_CAL_GAIN	
39.3mV/IOUT_CAL_GAIN	
42.9mV/IOUT_CAL_GAIN	
46.4mV/IOUT_CAL_GAIN	
50mV/IOUT_CAL_GAIN	High Range (Nominal Loop Gain) MFR_PWM_MODE_LTC3880 [7]=1
37.5mV/IOUT_CAL_GAIN	
42.9mV/IOUT_CAL_GAIN	
48.2mV/IOUT_CAL_GAIN	
53.6mV/IOUT_CAL_GAIN	
58.9mV/IOUT_CAL_GAIN	
64.3mV/IOUT_CAL_GAIN	
69.6mV/IOUT_CAL_GAIN	
75mV/IOUT_CAL_GAIN	

Note: This is the peak of the current waveform. The READ\_IOUT command returns the average current. The peak output

## PMBus COMMAND DETAILS

current limits are adjusted with temperature based on the MFR\_IOUT\_CAL\_GAIN\_TC using the equation:

$$IOUT\_OC\_FAULT\_LIMIT = IOUT\_CAL\_GAIN \cdot (1 + MFR\_IOUT\_CAL\_GAIN\_TC \cdot (READ\_TEMPERATURE\_1 - 27.0)).$$

The LTpowerPlay GUI automatically convert the voltages to currents.

The I<sub>OUT</sub> range is set with bit 7 of the MFR\_PWM\_MODE\_LTC3880 command.

The IOUT\_OC\_FAULT\_LIMIT is ignored during TON\_RISE and TOFF\_FALL.

This command has two data bytes and is formatted in Linear\_5s\_11s format.

### IOUT\_OC\_WARN\_LIMIT

This command sets the value of the output current that causes an output overcurrent warning in amperes. The READ\_IOUT value will be used to determine if this limit has been exceeded.

In response to the IOUT\_OC\_WARN\_LIMIT being exceeded, the device:

- Sets the NONE\_OF\_THE\_ABOVE bit in the STATUS\_BYTE
- Sets the IOUT bit in the STATUS\_WORD
- Sets the IOUT Overcurrent Warning bit in the STATUS\_IOUT command, and
- Notifies the host by asserting  $\overline{ALERT}$  pin

This condition is detected by the ADC so the response time may be up to 90ms.

The IOUT\_OC\_FAULT\_LIMIT is ignored during TON\_RISE and TOFF\_FALL.

This command has two data bytes and is formatted in Linear\_5s\_11s format

## TEMPERATURE

### External Temperature Calibration

COMMAND NAME	CMD CODE	DESCRIPTION	TYPE	PAGED	DATA FORMAT	UNITS	NVM	DEFAULT VALUE
MFR_TEMP_1_GAIN	0xF8	Sets the slope of the external temperature sensor.	R/W Word	Y	CF		Y	1 0x4000
MFR_TEMP_1_OFFSET	0xF9	Sets the offset of the external temperature sensor with respect to -273.1°C.	R/W Word	Y	L11	C	Y	0 0x8000

### MFR\_TEMP\_1\_GAIN

The MFR\_TEMP\_1\_GAIN command will modify the slope of the external temperature sensor to account for non-idealities in the element and errors associated with the remote sensing of the temperature in the inductor.

This command has two data bytes and is formatted in 16-bit 2's complement integer. N = 8192 to 32767. The effective adjustment is  $N \cdot 2^{-14}$ . The nominal value is 1.

### MFR\_TEMP\_1\_OFFSET

The MFR\_TEMP\_1\_OFFSET command will modify the offset of the external temperature sensor to account for non-idealities in the element and errors associated with the remote sensing of the temperature in the inductor.

## PMBus COMMAND DETAILS

This command has two data bytes and is formatted in Linear\_5s\_11s format. The part starts the calculation with a value of  $-273.15$  so the default adjustment value is zero.

### External Temperature Limits

COMMAND NAME	CMD CODE	DESCRIPTION	TYPE	PAGED	DATA FORMAT	UNITS	NVM	DEFAULT VALUE
OT_FAULT_LIMIT	0x4F	External overtemperature fault limit.	R/W Word	Y	L11	C	Y	100.0 0xEB20
OT_WARN_LIMIT	0x51	External overtemperature warning limit.	R/W Word	Y	L11	C	Y	85.0 0xEAA8
UT_FAULT_LIMIT	0x53	External undertemperature fault limit.	R/W Word	Y	L11	C	Y	$-40.0$ 0xE580

#### ***OT\_FAULT\_LIMIT***

The OT\_FAULT\_LIMIT command sets the value of the external sense temperature, in degrees Celsius, which causes an overtemperature fault. The READ\_TEMPERATURE\_1 value will be used to determine if this limit has been exceeded.

This condition is detected by the ADC so the response time may be up to 90ms.

This command has two data bytes and is formatted in Linear\_5s\_11s format.

#### ***OT\_WARN\_LIMIT***

The OT\_WARN\_LIMIT command sets the value of the external sense temperature, in degrees Celsius, which causes an overtemperature warning. The READ\_TEMPERATURE\_1 value will be used to determine if this limit has been exceeded.

In response to the OT\_WARN\_LIMIT being exceeded, the device:

- Sets the TEMPERATURE bit in the STATUS\_BYTE
- Sets the Overtemperature Warning bit in the STATUS\_TEMPERATURE command, and
- Notifies the host by asserting  $\overline{\text{ALERT}}$  pin.

This condition is detected by the ADC so the response time may be up to 90ms.

This command has two data bytes and is formatted in Linear\_5s\_11s format.

#### ***UT\_FAULT\_LIMIT***

The UT\_FAULT\_LIMIT command sets the value of the external sense temperature, in degrees Celsius, which causes an undertemperature fault. The READ\_TEMPERATURE\_1 value will be used to determine if this limit has been exceeded.

Note: If the temp sensors are not installed, the UT\_FAULT\_LIMIT can be set to  $-275^{\circ}\text{C}$  and UT\_FAULT\_LIMIT response set to ignore to avoid  $\overline{\text{ALERT}}$  being asserted.

This condition is detected by the ADC so the response time may be up to 90ms.

Values of greater than 0.1V/ms and less than or equal to 1V/ms are recommended. If a transition rate out of this range is desired, contact the factory for more information.

This command has two data bytes and is formatted in Linear\_5s\_11s format.

**PMBus COMMAND DETAILS****TIMING****Timing—On Sequence/Ramp**

COMMAND NAME	CMD CODE	DESCRIPTION	TYPE	PAGED	DATA FORMAT	UNITS	NVM	DEFAULT VALUE
TON_DELAY	0x60	Time from RUN and/or Operation on to output rail turn-on.	R/W Word	Y	L11	ms	Y	0.0 0x8000
TON_RISE	0x61	Time from when the output starts to rise until the output voltage reaches the VOUT commanded value.	R/W Word	Y	L11	ms	Y	8.0 0xD200
TON_MAX_FAULT_LIMIT	0x62	Maximum time from V <sub>OUT_EN</sub> on for VOUT to cross the VOUT_UV_FAULT_LIMIT.	R/W Word	Y	L11	ms	Y	10.0 0xD280
VOUT_TRANSITION_RATE	0x27	Rate the output changes when VOUT commanded to a new value.	R/W Word	Y	L11	V/ms	Y	0.25 0xAA00

**TON\_DELAY**

The TON\_DELAY command sets the time, in milliseconds, from when a start condition is received until the output voltage starts to rise. Values from 0ms to 83 seconds are valid.

This command has two data bytes and is formatted in Linear\_5s\_11s format.

**TON\_RISE**

The TON\_RISE command sets the time, in milliseconds, from the time the output starts to rise to the time the output enters the regulation band. Values from 0 to 1.3 seconds are valid. The part will be in discontinuous mode during TON\_RISE events. If TON\_RISE is less than 0.25ms, the LTC3880 digital slope will be bypassed. The output voltage transition will be controlled by the analog performance of the PWM switcher. The maximum allowed slope is 4V/ms.

This command has two data bytes and is formatted in Linear\_5s\_11s format.

**TON\_MAX\_FAULT\_LIMIT**

The TON\_MAX\_FAULT\_LIMIT command sets the value, in milliseconds, on how long the unit can attempt to power up the output without reaching the output undervoltage fault limit.

A data value of 0ms means that there is no limit and that the unit can attempt to bring up the output voltage indefinitely. The maximum limit is 83 seconds.

This command has two data bytes and is formatted in Linear\_5s\_11s format.

**VOUT\_TRANSITION\_RATE**

When a PMBus device receives either a VOUT\_COMMAND or OPERATION (Margin High, Margin Low) that causes the output voltage to change this command set the rate in V/ms at which the output voltage changes. This commanded rate of change does not apply when the unit is commanded on or off.

Values of greater than 0.1V/ms are recommended.

This command has two data bytes and is formatted in Linear\_5s\_11s format.

## PMBus COMMAND DETAILS

### Timing—Off Sequence/Ramp

COMMAND NAME	CMD CODE	DESCRIPTION	TYPE	PAGED	DATA FORMAT	UNITS	NVM	DEFAULT VALUE
TOFF_DELAY	0x64	Time from RUN and/or Operation off to the start of TOFF_FALL ramp.	R/W Word	Y	L11	ms	Y	0.0 0x8000
TOFF_FALL	0x65	Time from when the output starts to fall until the output reaches zero volts.	R/W Word	Y	L11	ms	Y	8.0 0xD200
TOFF_MAX_WARN_LIMIT	0x66	Maximum allowed time, after TOFF_FALL completed, for the unit to decay below 12.5%.	R/W Word	Y	L11	ms	Y	150 0xF258

#### **TOFF\_DELAY**

The TOFF\_DELAY command sets the time, in milliseconds, from when a stop condition is received until the output voltage starts to fall. Values from 0 to 83 seconds are valid.

This command is excluded from fault events.

This command has two data bytes and is formatted in Linear\_5s\_11s format.

#### **TOFF\_FALL**

The TOFF\_FALL command sets the time, in milliseconds, from the end of the turn-off delay time until the output voltage is commanded to zero. It is the ramp time of the  $V_{OUT}$  DAC. When the  $V_{OUT}$  DAC is zero, the part will three-state.

The part will maintain the mode of operation programmed. For defined TOFF\_FALL times, the user should set the part to continuous conduction mode. Loading the max value indicates the part will ramp down at the slowest possible rate. The minimum supported fall time is 0.25ms. A value less than 0.25ms will result in a 0.25ms ramp. The maximum fall time is 1.3 seconds. The maximum allowed slope is 4V/ms.

In discontinuous conduction mode, the controller will not draw current from the load and the fall time will be set by the output capacitance and load current.

This command has two data bytes and is formatted in Linear\_5s\_11s format.

#### **TOFF\_MAX\_WARN\_LIMIT**

The TOFF\_MAX\_WARN\_LIMIT command sets the value, in milliseconds, on how long the unit can attempt to turn off the output until a warning is asserted. The output is considered off when the  $V_{OUT}$  voltage is less than 12.5% of the programmed VOUT\_COMMAND value. The calculation begins after TOFF\_FALL is complete. TOFF\_MAX\_WARN is not enabled in VOUT\_DECAY is disabled.

A data value of 0ms means that there is no limit and that the unit can attempt to turn off the output voltage indefinitely. Other than 0, values from 120ms to 524 seconds are valid.

This command has two data bytes and is formatted in Linear\_5s\_11s format.

### Precondition for Restart

COMMAND NAME	CMD CODE	DESCRIPTION	TYPE	PAGED	DATA FORMAT	UNITS	NVM	DEFAULT VALUE
MFR_RESTART_DELAY	0xDC	Delay from actual RUN active edge to virtual RUN active edge.	R/W Word	Y	L11	ms	Y	500 0xFBE8

## PMBus COMMAND DETAILS

### *MFR\_RESTART\_DELAY*

This command specifies the minimum RUN off time in milliseconds. This device will pull the RUN pin low for this length of time once a falling edge of RUN has been detected. The minimum recommended value is 136ms.

Note: The restart delay is different than the retry delay. The restart delay pulls run low for the specified time, after which a standard start-up sequence is initiated. The minimum restart delay should be equal to TOFF\_DELAY + TOFF\_FALL + 136ms. Valid values are from 136ms to 65.52 seconds in 16ms increments. To assure a minimum off time, set the MFR\_RESTART\_DELAY 16ms longer than the desired time. The output rail can be off longer than the MFR\_RESTART\_DELAY after the RUN pin is pulled high if the output decay bit 1 is enabled in MFR\_CHAN\_CONFIG\_LTC3880 and the output takes a long time to decay below 12.5% of the programmed value.

This command has two data bytes and is formatted in Linear\_5s\_11s format.

## FAULT RESPONSE

### Fault Responses All Faults

COMMAND NAME	CMD CODE	DESCRIPTION	TYPE	PAGED	DATA FORMAT	UNITS	NVM	DEFAULT VALUE
MFR_RETRY_DELAY	0xDB	Retry interval during FAULT retry mode.	R/W Word	Y	L11	ms	Y	350 0xFABC

### *MFR\_RETRY\_DELAY*

This command sets the time in milliseconds between restarts if the fault response is to retry the controller at specified intervals. This command value is used for all fault responses that require retry. The retry time starts once the fault has been detected by the offending channel. Valid values are from 120ms to 83.88 seconds in 10 $\mu$ s increments.

Note: The retry delay time is determined by the longer of the MFR\_RETRY\_DELAY command or the time required for the regulated output to decay below 12.5% of the programmed value. If the natural decay time of the output is too long, it is possible to remove the voltage requirement of the MFR\_RETRY\_DELAY command by asserting bit 0 of MFR\_CHAN\_CONFIG\_LTC3880.

This command has two data bytes and is formatted in Linear\_5s\_11s format.

### Fault Responses Input Voltage

COMMAND NAME	CMD CODE	DESCRIPTION	TYPE	PAGED	DATA FORMAT	UNITS	NVM	DEFAULT VALUE
VIN_OV_FAULT_RESPONSE	0x56	Action to be taken by the device when an input supply overvoltage fault is detected.	R/W Byte	Y	Reg		Y	0x80

### *VIN\_OV\_FAULT\_RESPONSE*

The VIN\_OV\_FAULT\_RESPONSE command instructs the device on what action to take in response to an input overvoltage fault. The data byte is in the format given in Table 9.

The device also:

- Sets the NONE\_OF\_THE\_ABOVE bit in the STATUS\_BYTE
- Set the INPUT bit in the upper byte of the STATUS\_WORD

## PMBus COMMAND DETAILS

- Sets the VIN Overvoltage Fault bit in the STATUS\_INPUT command, and
- Notifies the host by asserting  $\overline{\text{ALERT}}$  pin

This command has one data byte.

### Fault Responses Output Voltage

COMMAND NAME	CMD CODE	DESCRIPTION	TYPE	PAGED	DATA FORMAT	UNITS	NVM	DEFAULT VALUE
VOUT_OV_FAULT_RESPONSE	0x41	Action to be taken by the device when an output overvoltage fault is detected.	R/W Byte	Y	Reg		Y	0xB8
VOUT_UV_FAULT_RESPONSE	0x45	Action to be taken by the device when an output undervoltage fault is detected.	R/W Byte	Y	Reg		Y	0xB8
TON_MAX_FAULT_RESPONSE	0x63	Action to be taken by the device when a TON_MAX_FAULT event is detected.	R/W Byte	Y	Reg		Y	0xB8

### VOUT\_OV\_FAULT\_RESPONSE

The VOUT\_OV\_FAULT\_RESPONSE command instructs the device on what action to take in response to an output overvoltage fault. The data byte is in the format given in Table 5.

The device also:

- Sets the VOUT\_OV bit in the STATUS\_BYTE
- Sets the VOUT bit in the STATUS\_WORD
- Sets the VOUT Overvoltage Fault bit in the STATUS\_VOUT command
- Notifies the host by asserting  $\overline{\text{ALERT}}$  pin

The only value recognized for this command are:

0x80—The device shuts down (disables the output) and the unit does not attempt to retry. The output remains disabled until the fault is cleared (PMBus, Part II, Section 10.7).

0xB8—The device shuts down (disables the output) and device attempts retry continuously, without limitation, until it is commanded OFF (by the RUN pin or OPERATION command or both), bias power is removed, or another fault condition causes the unit to shut down.

0x4n The device shuts down and the unit does not attempt to retry. The output remains disabled until the part is commanded OFF then ON or the RUN pin is asserted low then high or RESET through the command or removal of VIN. The OV fault must remain active for a period of  $n \cdot 10\mu\text{s}$ , where  $n$  is a value from 0 to 7.

0x78+n The device shuts down and the unit attempts to retry continuously until either the fault condition is cleared or the part is commanded OFF then ON or the RUN pin is asserted low then high or RESET through the command or removal of VIN. The OV fault must remain active for a period of  $n \cdot 10\mu\text{s}$ , where  $n$  is a value from 0 to 7.

Any other value will result in a CML fault and the write will be ignored.

This command has one data byte.

## PMBus COMMAND DETAILS

Table 5. VOUT\_OV\_FAULT\_RESPONSE Data Byte Contents

BITS	DESCRIPTION	VALUE	MEANING
7:6	Response For all values of bits [7:6], the LTC3880: <ul style="list-style-type: none"> <li>• Sets the corresponding fault bit in the status commands and</li> <li>• Notifies the host by asserting <math>\overline{\text{ALERT}}</math> pin</li> </ul> The fault bit, once set, is cleared only when one or more of the following events occurs: <ul style="list-style-type: none"> <li>• The device receives a CLEAR_FAULTS command.</li> <li>• The output is commanded through the RUN<math>n</math> pin, the OPERATION command, or the combined action of the RUN<math>n</math> pin and OPERATION command, to turn off and then to turn back on, or</li> <li>• Bias power is removed and reapplied to the LTC3880.</li> </ul>	00	Part performs OV pull down only (i.e., turns off the top MOSFET and turns on lower MOSFET while $V_{\text{OUT}}$ is > VOUT_OV_FAULT)
		01	The PMBus device continues operation for the delay time specified by bits [2:0] and the delay time unit specified for that particular fault. If the fault condition is still present at the end of the delay time, the unit responds as programmed in the Retry Setting (bits [5:3]).
		10	The device shuts down immediately (disables the output) and responds according to the retry setting in bits [5:3].
		11	Not supported. Writing this value will generate a CML fault.
5:3	Retry Setting	000-110	The unit does not attempt to restart. The output remains disabled until the fault is cleared until the device is commanded OFF bias power is removed.
		111	The PMBus device attempts to restart continuously, without limitation, until it is commanded OFF (by the RUN $n$ pin or OPERATION command or both), bias power is removed, or another fault condition causes the unit to shut down without retry. Note: The retry interval is set by the MFR_RETRY_DELAY command.
2:0	Delay Time	XXX	The delay time in 10 $\mu$ s increments. This delay time determines how long the controller continues operating after a fault is detected. Only valid for deglitched off state

### VOUT\_UV\_FAULT\_RESPONSE

The VOUT\_UV\_FAULT\_RESPONSE command instructs the device on what action to take in response to an output undervoltage fault. The data byte is in the format given in Table 6.

The device also:

- Sets the VOUT bit in the STATUS\_WORD
- Sets the VOUT undervoltage fault bit in the STATUS\_VOUT command
- Notifies the host by asserting  $\overline{\text{ALERT}}$  pin

The UV fault and warn are masked until the following criteria are achieved:

- 1) The TON\_MAX\_FAULT\_LIMIT has been reached
- 2) The TON\_DELAY sequence has completed
- 3) The TON\_RISE sequence has completed
- 4) The VOUT\_UV\_FAULT\_LIMIT threshold has been reached
- 5) The IOUT\_OC\_FAULT\_LIMIT is not present

The UV fault and warn are masked whenever the channel is not active.

The UV fault and warn are masked during TON\_RISE and TOFF\_FALL sequencing.

This command has one data byte.

## PMBus COMMAND DETAILS

Table 6. VOUT\_UV\_FAULT\_RESPONSE Data Byte Contents

BITS	DESCRIPTION	VALUE	MEANING
7:6	Response For all values of bits [7:6], the LTC3880: <ul style="list-style-type: none"> <li>• Sets the corresponding fault bit in the status commands and</li> <li>• Notifies the host by asserting <math>\overline{\text{ALERT}}</math> pin</li> </ul> The fault bit, once set, is cleared only when one or more of the following events occurs: <ul style="list-style-type: none"> <li>• The device receives a CLEAR_FAULTS command</li> <li>• The output is commanded through the RUN<math>n</math> pin, the OPERATION command, or the combined action of the RUN<math>n</math> pin and OPERATION command, to turn off and then to turn back on, or</li> <li>• Bias power is removed and reapplied to the LTC3880</li> </ul>	00	The PMBus device continues operation without interruption. (Ignores the fault functionally)
		01	The PMBus device continues operation for the delay time specified by bits [2:0] and the delay time unit specified for that particular fault. If the fault condition is still present at the end of the delay time, the unit responds as programmed in the Retry Setting (bits [5:3]).
		10	The device shuts down (disables the output) and responds according to the retry setting in bits [5:3].
		11	Not supported. Writing this value will generate a CML fault.
5:3	Retry Setting	000-110	The unit does not attempt to restart. The output remains disabled until the fault is cleared until the device is commanded OFF bias power is removed.
		111	The PMBus device attempts to restart continuously, without limitation, until it is commanded OFF (by the RUN $n$ pin or OPERATION command or both), bias power is removed, or another fault condition causes the unit to shut down without retry. Note: The retry interval is set by the MFR_RETRY_DELAY command.
2:0	Delay Time	XXX	The delay time in 10 $\mu$ s increments. This delay time determines how long the controller continues operating after a fault is detected. Only valid for deglitched off state.

### TON\_MAX\_FAULT\_RESPONSE

The TON\_MAX\_FAULT\_RESPONSE command instructs the device on what action to take in response to a TON\_MAX fault. The data byte is in the format given in Table 9.

The device also:

- Sets the NONE\_OF\_THE\_ABOVE bit in the STATUS\_BYTE
- Sets the VOUT bit in the STATUS\_WORD
- Sets the TON\_MAX\_FAULT bit in the STATUS\_VOUT command, and
- Notifies the host by asserting  $\overline{\text{ALERT}}$  pin
- A value of 0 disables the TON\_MAX\_FAULT\_RESPONSE. It is not recommended to use 0.

This command has one data byte.

## PMBus COMMAND DETAILS

### Fault Responses Output Current

COMMAND NAME	CMD CODE	DESCRIPTION	TYPE	PAGED	DATA FORMAT	UNITS	NVM	DEFAULT VALUE
IOUT_OC_FAULT_RESPONSE	0x47	Action to be taken by the device when an output overcurrent fault is detected.	R/W Byte	Y	Reg		Y	0x00

### IOUT\_OC\_FAULT\_RESPONSE

The IOUT\_OC\_FAULT\_RESPONSE command instructs the device on what action to take in response to an output overcurrent fault. The data byte is in the format given in Table 7.

The device also:

- Sets the IOUT\_OC bit in the STATUS\_BYTE
- Sets the IOUT bit in the STATUS\_WORD
- Sets the IOUT Overcurrent Fault bit in the STATUS\_IOUT command, and
- Notifies the host by asserting  $\overline{\text{ALERT}}$  pin

This command has one data byte.

**Table 7. IOUT\_OC\_FAULT\_RESPONSE Data Byte Contents**

BITS	DESCRIPTION	VALUE	MEANING
7:6	Response For all values of bits [7:6], the LTC3880: <ul style="list-style-type: none"> <li>• Sets the corresponding fault bit in the status commands and</li> <li>• Notifies the host by asserting <math>\overline{\text{ALERT}}</math> pin</li> </ul> The fault bit, once set, is cleared only when one or more of the following events occurs: <ul style="list-style-type: none"> <li>• The device receives a CLEAR_FAULTS command</li> <li>• The output is commanded through the RUN<math>n</math> pin, the OPERATION command, or the combined action of the RUN<math>n</math> pin and OPERATION command, to turn off and then to turn back on, or</li> <li>• Bias power is removed and reapplied to the LTC3880.</li> </ul>	00	The LTC3880 continues to operate indefinitely while maintaining the output current at the value set by IOUT_OC_FAULT_LIMIT without regard to the output voltage (known as constant-current or brick-wall limiting).
		01	Not supported.
		10	The LTC3880 continues to operate, maintaining the output current at the value set by IOUT_OC_FAULT_LIMIT without regard to the output voltage, for the delay time set by bits [2:0]. If the device is still operating in current limit at the end of the delay time, the device responds as programmed by the Retry Setting in bits [5:3].
		11	The LTC3880 shuts down immediately and responds as programmed by the Retry Setting in bits [5:3].
5:3	Retry Setting	000-110	The unit does not attempt to restart. The output remains disabled until the fault is cleared by cycling the RUN $n$ pin or removing bias power.
		111	The device attempts to restart continuously, without limitation, until it is commanded OFF (by the RUN $n$ pin or OPERATION command or both), bias power is removed, or another fault condition causes the unit to shut down. Note: The retry interval is set by the MFR_RETRY_DELAY command.
2:0	Delay Time	XXX	The number of delay time units in 16ms increments. This delay time is used to determine the amount of time a unit is to continue operating after a fault is detected before shutting down. Only valid for deglitched off state.

## PMBus COMMAND DETAILS

### Fault Responses IC Temperature

COMMAND NAME	CMD CODE	DESCRIPTION	TYPE	PAGED	DATA FORMAT	UNITS	NVM	DEFAULT VALUE
MFR_OT_FAULT_RESPONSE	0xD6	Action to be taken by the device when an internal overtemperature fault is detected	R Byte	N	Reg			0xC0

#### ***MFR\_OT\_FAULT\_RESPONSE***

The MFR\_OT\_FAULT\_RESPONSE command byte instructs the device on what action to take in response to an internal overtemperature fault. The data byte is in the format given in Table 8.

The LTC3880 also:

- Sets the MFR bit in the STATUS\_WORD, and
- Sets the Overtemperature Fault bit in the STATUS\_MFR\_SPECIFIC command
- Notifies the host by asserting  $\overline{\text{ALERT}}$  pin

This command has one data byte.

**Table 8. Data Byte Contents MFR\_OT\_FAULT\_RESPONSE**

BITS	DESCRIPTION	VALUE	MEANING
7:6	Response For all values of bits [7:6], the LTC3880: <ul style="list-style-type: none"> <li>• Sets the corresponding fault bit in the status commands and</li> <li>• Notifies the host by asserting <math>\overline{\text{ALERT}}</math> pin</li> </ul> The fault bit, once set, is cleared only when one or more of the following events occurs: <ul style="list-style-type: none"> <li>• The device receives a CLEAR_FAULTS command</li> <li>• The output is commanded through the RUN<math>n</math> pin, the OPERATION command, or the combined action of the RUN<math>n</math> pin and OPERATION command, to turn off and then to turn back on, or</li> <li>• Bias power is removed and reapplied to the LTC3880</li> </ul>	00	Not supported. Writing this value will generate a CML fault.
		01	Not supported. Writing this value will generate a CML fault
		10	The device shuts down immediately (disables the output) and responds according to the retry setting in bits [5:3].
		11	The device's output is disabled while the fault is present. Operation resumes and the output is enabled when the fault condition no longer exists.
5:3	Retry Setting	000	The unit does not attempt to restart. The output remains disabled until the fault is cleared.
		001-111	Not supported. Writing this value will generate CML fault.
2:0	Delay Time	XXX	Not supported. Value ignored

## PMBus COMMAND DETAILS

### Fault Responses External Temperature

COMMAND NAME	CMD CODE	DESCRIPTION	TYPE	PAGED	DATA FORMAT	UNITS	NVM	DEFAULT VALUE
OT_FAULT_RESPONSE	0x50	Action to be taken by the device when an external overtemperature fault is detected,	R/W Byte	Y	Reg		Y	0xB8
UT_FAULT_RESPONSE	0x54	Action to be taken by the device when an external undertemperature fault is detected.	R/W Byte	Y	Reg		Y	0xB8

#### ***OT\_FAULT\_RESPONSE***

The OT\_FAULT\_RESPONSE command instructs the device on what action to take in response to an external overtemperature fault on the external temp sensors. The data byte is in the format given in Table 9.

The device also:

- Sets the TEMPERATURE bit in the STATUS\_BYTE
- Sets the Overtemperature Fault bit in the STATUS\_TEMPERATURE command, and
- Notifies the host by asserting  $\overline{\text{ALERT}}$  pin

This condition is detected by the ADC so the response time may be up to 90ms.

This command has one data byte.

#### ***UT\_FAULT\_RESPONSE***

The UT\_FAULT\_RESPONSE command instructs the device on what action to take in response to an external undertemperature fault on the external temp sensors. The data byte is in the format given in Table 9.

The device also:

- Sets the TEMPERATURE bit in the STATUS\_BYTE
- Sets the Undertemperature Fault bit in the STATUS\_TEMPERATURE command, and
- Notifies the host by asserting  $\overline{\text{ALERT}}$  pin

This condition is detected by the ADC so the response time may be up to 90ms.

This command has one data byte.

## PMBus COMMAND DETAILS

**Table 9. Data Byte Contents: TON\_MAX\_FAULT\_RESPONSE, VIN\_OV\_FAULT\_RESPONSE, OT\_FAULT\_RESPONSE, UT\_FAULT\_RESPONSE**

BITS	DESCRIPTION	VALUE	MEANING
7:6	Response For all values of bits [7:6], the LTC3880: <ul style="list-style-type: none"> <li>• Sets the corresponding fault bit in the status commands, and</li> <li>• Notifies the host by asserting <math>\overline{\text{ALERT}}</math> pin</li> </ul> The fault bit, once set, is cleared only when one or more of the following events occurs: <ul style="list-style-type: none"> <li>• The device receives a CLEAR_FAULTS command</li> <li>• The output is commanded through the RUN<math>n</math> pin, the OPERATION command, or the combined action of the RUN<math>n</math> pin and OPERATION command, to turn off and then to turn back on, or</li> <li>• Bias power is removed and reapplied to the LTC3880</li> </ul>	00	The PMBus device continues operation without interruption.
		01	Not supported. Writing this value will generate a CML fault.
		10	The device shuts down immediately (disables the output) and responds according to the retry setting in bits [5:3].
		11	Not supported. Writing this value will generate a CML fault.
5:3	Retry Setting	000-110	The unit does not attempt to restart. The output remains disabled until the fault is cleared until the device is commanded OFF bias power is removed.
		111	The PMBus device attempts to restart continuously, without limitation, until it is commanded OFF (by the RUN $n$ pin or OPERATION command or both), bias power is removed, or another fault condition causes the unit to shut down without retry. Note: The retry interval is set by the MFR_RETRY_DELAY command.
2:0	Delay Time	XXX	Not supported. Values ignored

## FAULT SHARING

### Fault Sharing Propagation

COMMAND NAME	CMD CODE	DESCRIPTION	TYPE	PAGED	DATA FORMAT	UNITS	NVM	DEFAULT VALUE
MFR_GPIO_PROPAGATE_LTC3880	0xD2	Configuration that determines which faults are propagated to the GPIO pins.	R/W Word	Y	Reg		Y	0x2993

### ***MFR\_GPIO\_PROPAGATE\_LTC3880***

The MFR\_GPIO\_PROPAGATE\_LTC3880 command enables the faults that can cause the  $\overline{\text{GPIO}}_n$  pin to assert low. The command is formatted as shown in Table 10. Faults can only be propagated to the  $\overline{\text{GPIO}}$  if they are programmed to respond to faults.

This command has two data bytes.

**Table 10:  $\overline{\text{GPIO}}_n$  Propagate Fault Configuration**

The  $\overline{\text{GPIO}}_0$  and  $\overline{\text{GPIO}}_1$  pins are designed to provide electrical notification of selected events to the user. Some of these events are common to both output channels. Others are specific to an output channel. They can also be used to share faults between channels.

BIT(S)	SYMBOL	OPERATION
B[15]	VOOUT disabled while not decayed.	This is used in a PolyPhase configuration when bit 0 of the MFR_CHAN_CONFIG_LTC3880 is a zero. If the channel is turned off, by toggling the RUN pin or commanding the part OFF, and then the RUN is reasserted or the part is commanded back on before the output has decayed, VOOUT will not restart until the 12.5% decay is honored. The GPIO pin is asserted during this condition if bit 15 is asserted.

## PMBus COMMAND DETAILS

BIT(S)	SYMBOL	OPERATION
b[14]	Mfr_gpio_propagate_short_CMD_cycle	0: No action 1: Asserts low if commanded off then on before the output has sequenced off. Re-asserts high 120ms after sequence off.
b[13]	Mfr_gpio_propagate_ton_max_fault	0: No action if a TON_MAX_FAULT fault is asserted 1: Associated output will be asserted low if a TON_MAX_FAULT fault is asserted $\overline{\text{GPIO0}}$ is associated with page 0 TON_MAX_FAULT faults $\overline{\text{GPIO1}}$ is associated with page 1 TON_MAX_FAULT faults
b[12]	Mfr_gpio0_propagate_vout_uvuf, Mfr_gpio1_propagate_vout_uvuf	Unfiltered VOUT_UV_FAULT_LIMIT (PGOOD) comparator output $\overline{\text{GPIO0}}$ is associated with channel 0 $\overline{\text{GPIO1}}$ is associated with channel 1
b[11]	Mfr_gpio0_propagate_int_ot, Mfr_gpio1_propagate_int_ot	0: No action if the MFR_OT_FAULT_LIMIT fault is asserted 1: Associated output will be asserted low if the MFR_OT_FAULT_LIMIT fault is asserted
b[10]	Reserved	Always set to 0
b[9]	Reserved	Always set to 0
b[8]	Mfr_gpio0_propagate_ut, Mfr_gpio1_propagate_ut	0: No action if the UT_FAULT_LIMIT fault is asserted 1: Associated output will be asserted low if the UT_FAULT_LIMIT fault is asserted $\overline{\text{GPIO0}}$ is associated with page 0 UT faults $\overline{\text{GPIO1}}$ is associated with page 1 UT faults
b[7]	Mfr_gpio0_propagate_ot, Mfr_gpio1_propagate_ot	0: No action if the OT_FAULT_LIMIT fault is asserted 1: Associated output will be asserted low if the OT_FAULT_LIMIT fault is asserted $\overline{\text{GPIO0}}$ is associated with page 0 OT faults $\overline{\text{GPIO1}}$ is associated with page 1 OT faults
b[6]	Reserved	
b[5]	Reserved	
b[4]	Mfr_gpio0_propagate_input_ov, Mfr_gpio1_propagate_input_ov	0: No action if the VIN_OV_FAULT_LIMIT fault is asserted 1: Associated output will be asserted low if the VIN_OV_FAULT_LIMIT fault is asserted
b[3]	Reserved	
b[2]	Mfr_gpio0_propagate_iout_oc, Mfr_gpio1_propagate_iout_oc	0: No action if the IOUT_OC_FAULT_LIMIT fault is asserted 1: Associated output will be asserted low if the IOUT_OC_FAULT_LIMIT fault is asserted $\overline{\text{GPIO0}}$ is associated with page 0 OC faults $\overline{\text{GPIO1}}$ is associated with page 1 OC faults
b[1]	Mfr_gpio0_propagate_vout_uv, Mfr_gpio1_propagate_vout_uv	0: No action if the VOUT_UV_FAULT_LIMIT fault is asserted 1: Associated output will be asserted low if the VOUT_UV_FAULT_LIMIT fault is asserted $\overline{\text{GPIO0}}$ is associated with page 0 UV faults $\overline{\text{GPIO1}}$ is associated with page 1 UV faults
b[0]	Mfr_gpio0_propagate_vout_ov, Mfr_gpio1_propagate_vout_ov	0: No action if the VOUT_OV_FAULT_LIMIT fault is asserted 1: Associated output will be asserted low if the VOUT_OV_FAULT_LIMIT fault is asserted $\overline{\text{GPIO0}}$ is associated with page 0 OV faults $\overline{\text{GPIO1}}$ is associated with page 1 OV faults

**Note 1:** The PWRGD status is designed as an indicator and not to be used for power supply sequencing.

## PMBus COMMAND DETAILS

### Fault Sharing Response

COMMAND NAME	CMD CODE	DESCRIPTION	TYPE	PAGED	DATA FORMAT	UNITS	NVM	DEFAULT VALUE
MFR_GPIO_RESPONSE	0xD5	Action to be taken by the device when the $\overline{\text{GPIO}}$ pin is asserted low.	R/W Byte	Y	Reg		Y	0xC0

### ***MFR\_GPIO\_RESPONSE***

This command determines the controller's response to the  $\overline{\text{GPIO}}_n$  pin being pulled low by an external source.

VALUE	MEANING
0xC0	GPIO_INHIBIT The LTC3880 will three-state the output in response to the $\overline{\text{GPIO}}$ pin pulled low.
0x00	GPIO_IGNORE The LTC3880 continues operation without interruption.

The device also:

- Sets the NONE\_OF\_THE\_ABOVE bit in the STATUS\_BYTE
- Sets the MFR bit in the STATUS\_WORD
- Sets the GPIOB bit in the STATUS\_MFR\_SPECIFIC command, and
- Notifies the host by asserting  $\overline{\text{ALERT}}$  pin. The  $\overline{\text{ALERT}}$  pin pulled low can be disabled by setting bit[1] of MFR\_CHAN\_CFG\_LTC3880.

This command has one data byte.

### SCRATCHPAD

COMMAND NAME	CMD CODE	DESCRIPTION	TYPE	PAGED	DATA FORMAT	UNITS	NVM	DEFAULT VALUE
USER_DATA_00	0xB0	OEM reserved. Typically used for part serialization.	R/W Word	N	Reg		Y	NA
USER_DATA_01	0xB1	Manufacturer reserved for LTpowerPlay.	R/W Word	Y	Reg		Y	NA
USER_DATA_02	0xB2	OEM reserved. Typically used for part serialization.	R/W Word	N	Reg		Y	NA
USER_DATA_03	0xB3	A NVM word available for the user.	R/W Word	Y	Reg		Y	0x0000
USER_DATA_04	0xB4	A NVM word available for the user.	R/W Word	N	Reg		Y	0x0000

### ***USER\_DATA\_00*** through ***USER\_DATA\_04***

These commands are non-volatile memory locations for customer storage. The customer has the option to write any value to the USER\_DATA\_nn at any time. However, the LTpowerPlay software and contract manufacturers use some of these commands for inventory control. Modifying the reserved USER\_DATA\_nn commands may lead to undesirable inventory control and incompatibility with these products.

These commands have 2 data bytes and are in register format.

## PMBus COMMAND DETAILS

### IDENTIFICATION

COMMAND NAME	CMD CODE	DESCRIPTION	TYPE	PAGED	DATA FORMAT	UNITS	NVM	DEFAULT VALUE
PMBUS_REVISION	0x98	PMBus revision supported by this device. Current revision is 1.1.	R Byte	N	Reg			0x11
CAPABILITY	0x19	Summary of PMBus optional communication protocols supported by this device.	R Byte	N	Reg			0xB0
MFR_ID	0x99	The manufacturer ID of the LTC3880 in ASCII.	R String	N	ASC			LTC
MFR_MODEL	0x9A	Manufacturer part number in ASCII.	R String	N	ASC			LTC3880
MFR_SERIAL	0x9E	Serial number of this specific unit in ASCII.	R Block	N	CF			NA
MFR_SPECIAL_ID	0xE7	Manufacturer code representing the LTC3880.	R Word	N	Reg			402x

#### ***PMBus\_REVISION***

The PMBUS\_REVISION command indicates the revision of the PMBus to which the device is compliant. The LTC3880 is PMBus Version 1.1 compliant in both Part I and Part II.

This read-only command has one data byte.

#### ***CAPABILITY***

This command provides a way for a host system to determine some key capabilities of a PMBus device.

The LTC3880 supports packet error checking, 400kHz bus speeds, and  $\overline{\text{ALERT}}$  pin.

This read-only command has one data byte.

#### ***MFR\_ID***

The MFR\_ID command indicates the manufacturer ID of the LTC3880 using ASCII characters.

This read-only command is in block format.

#### ***MFR\_MODEL***

The MFR\_MODEL command indicates the manufacturer's part number of the LTC3880 using ASCII characters.

This read-only command is in block format.

#### ***MFR\_SERIAL***

The MFR\_SERIAL command contains up to 9 bytes of custom formatted data used to uniquely identify the LTC3880 configuration.

This read-only command is in block format.

#### ***MFR\_SPECIAL\_ID***

The 16-bit word representing the part name. 0x402 denotes the part is an LTC3880, X is adjustable by the manufacturer.

This read-only command has 2 data bytes.

## PMBus COMMAND DETAILS

### FAULT WARNING AND STATUS

COMMAND NAME	CMD CODE	DESCRIPTION	TYPE	PAGED	FORMAT	UNITS	NVM	DEFAULT VALUE
CLEAR_FAULTS	0x03	Clear any fault bits that have been set.	Send Byte	N				NA
MFR_CLEAR_PEAKE	0xE3	Clears all peaks values.	Send Byte	N				NA
STATUS_BYTE	0x78	One byte summary of the unit's fault condition.	R/W Byte	Y	Reg			NA
STATUS_WORD	0x79	Two byte summary of the unit's fault condition.	R/W Word	Y	Reg			NA
STATUS_VOUT	0x7A	Output voltage fault and warning status.	R/W Byte	Y	Reg			NA
STATUS_IOUT	0x7B	Output current fault and warning status.	R/W Byte	Y	Reg			NA
STATUS_INPUT	0x7C	Input supply fault and warning status.	R/W Byte	N	Reg			NA
STATUS_TEMPERATURE	0x7D	External temperature fault and warning status for READ_TEMPERATURE_1.	R/W Byte	Y	Reg			NA
STATUS_CML	0x7E	Communication and memory fault and warning status.	R/W Byte	N	Reg			NA
STATUS_MFR_SPECIFIC	0x80	Manufacturer specific fault and state information.	R/W Byte	Y	Reg			NA
MFR_PADS	0xE5	Digital status of the I/O pads.	R Word	N	Reg			NA
MFR_COMMON	0xEF	Manufacturer status bits that are common across multiple LTC chips.	R Byte	N	Reg			NA
MFR_INFO	0xB6	Manufacturing specific information	R Byte	N	Reg			NA

#### **CLEAR\_FAULTS**

The CLEAR\_FAULTS command is used to clear any fault bits that have been set. This command clears all bits in all status commands simultaneously. At the same time, the device negates (clears, releases) its  $\overline{\text{ALERT}}$  pin signal output if the device is asserting the  $\overline{\text{ALERT}}$  pin signal.

The CLEAR\_FAULTS does not cause a unit that has latched off for a fault condition to restart. Units that have shut down for a fault condition are restarted when:

- The output is commanded through the RUN pin, the OPERATION command, or the combined action of the RUN pin and OPERATION command, to turn off and then to turn back on, or
- MFR\_RESET command is issued.
- Bias power is removed and reapplied to the integrated circuit

If the fault is still present when the bit is cleared, the fault bit will remain set and the host notified by asserting the  $\overline{\text{ALERT}}$  pin pin low. CLEAR\_FAULTS can take up to 10 $\mu$ s to process. If a fault occurs within that time frame it may be cleared before the status register is set.

This write-only command has no data bytes.

#### **MFR\_CLEAR\_PEAKE**

The MFR\_CLEAR\_PEAKE command clears the MFR\_\*\_PEAK data values. A reset will initiate this command.

This write-only command has no data bytes.

## PMBus COMMAND DETAILS

### STATUS\_BYTE

The STATUS\_BYTE command returns a one-byte summary of the most critical faults.

#### STATUS\_BYTE Message Contents:

BIT	STATUS BIT NAME	MEANING
7*	BUSY	A fault was declared because the LTC3880 was unable to respond.
6	OFF	This bit is set if the channel is not providing power to its output, regardless of the reason, including simply not being enabled.
5	VOUT_OV	An output overvoltage fault has occurred.
4	IOUT_OC	An output overcurrent fault has occurred.
3	VIN_UV	Not supported (LTC3880 returns 0).
2	TEMPERATURE	A temperature fault or warning has occurred.
1	CML	A communications, memory or logic fault has occurred.
0*	NONE OF THE ABOVE	A fault Not listed in bits[7:1] has occurred.

Any supported fault bit in this command will initiate an  $\overline{\text{ALERT}}$  event.

This command has one data byte.

### STATUS\_WORD

The STATUS\_WORD command returns a two-byte summary of the channel's fault condition. The low byte of the STATUS\_WORD is typically the same as the STATUS\_BYTE command: However, if a fault occurs at the exact right time, the read value can have a bit set in the lower byte with no corresponding bits set in the upper byte. An immediate second read of STATUS\_WORD will have the corresponding bits in the upper byte set.

#### STATUS\_WORD High Byte Message Contents:

BIT	STATUS BIT NAME	MEANING
15	V <sub>OUT</sub>	An output voltage fault or warning has occurred.
14	I <sub>OUT</sub>	An output current fault or warning has occurred.
13	INPUT	An input voltage fault or warning has occurred.
12	MFR_SPECIFIC	A fault or warning specific to the LTC3880 has occurred.
11	POWER_GOOD#	The POWER_GOOD state is false if this bit is set.
10	FANS	Not supported (LTC3880 returns 0).
9	OTHER	Not supported (LTC3880 returns 0).
8	UNKNOWN	Not supported (LTC3880 returns 0).

Any supported fault bit in this command will initiate an  $\overline{\text{ALERT}}$  event.

This command has two data bytes.

## PMBus COMMAND DETAILS

### STATUS\_VOUT

The STATUS\_VOUT commands returns one byte of  $V_{OUT}$  status information.

#### STATUS\_VOUT Message Contents:

BIT	MEANING
7	$V_{OUT}$ overvoltage fault.
6	$V_{OUT}$ overvoltage warning.
5	$V_{OUT}$ undervoltage warning.
4	$V_{OUT}$ undervoltage fault.
3	VOUT_MAX warning.
2	TON_MAX fault.
1	TOFF_MAX warning.
0	Not supported by the LTC3880 (returns 0).

ALERT can be asserted if any of bits[7:1] are set. These may be cleared by writing a 1 to their bit position in STATUS\_VOUT, in lieu of a CLEAR\_FAULTS command.

This command has one data byte.

### STATUS\_IOUT

The STATUS\_IOUT commands returns one byte of  $I_{OUT}$  status information.

#### STATUS\_IOUT Message Contents:

BIT	MEANING
7	$I_{OUT}$ overcurrent fault.
6	Not supported (LTC3880 returns 0).
5	$I_{OUT}$ overcurrent warning.
4:0	Not supported (LTC3880 returns 0).

ALERT can be asserted if any supported bits are set. Any supported bit may be cleared by writing a 1 to that bit position in STATUS\_IOUT, in lieu of a CLEAR\_FAULTS command.

This command has one data byte.

## PMBus COMMAND DETAILS

### STATUS\_INPUT

The STATUS\_INPUT commands returns one byte of  $V_{IN}$  (VINSNS) status information.

#### STATUS\_INPUT Message Contents:

BIT	MEANING
7	$V_{IN}$ overvoltage fault.
6	Not supported (LTC3880 returns 0).
5	$V_{IN}$ undervoltage warning.
4	Not supported (LTC3880 returns 0).
3	Unit off for insufficient $V_{IN}$ .
2	Not supported (LTC3880 returns 0).
1	Input over current warning.
0	Not supported (LTC3880 returns 0)

$\overline{\text{ALERT}}$  can be asserted if bit 7 is set. Bit 7 may be cleared by writing it to a 1, in lieu of a CLEAR\_FAULTS command.

This command has one data byte.

### STATUS\_TEMPERATURE

The STATUS\_TEMPERATURE commands returns one byte of sensed external temperature status information.

#### STATUS\_TEMPERATURE Message Contents:

BIT	MEANING
7	External overtemperature fault.
6	External overtemperature warning.
5	Not supported (LTC3880 returns 0).
4	External undertemperature fault.
3:0	Not supported (LTC3880 returns 0).

$\overline{\text{ALERT}}$  can be asserted if any supported bits are set. Any supported bit may be cleared by writing a 1 to that bit position in STATUS\_TEMPERATURE, in lieu of a CLEAR\_FAULTS command.

This command has one data byte.

## PMBus COMMAND DETAILS

### STATUS\_CML

The STATUS\_CML commands returns one byte of status information on received commands, internal memory and logic.

#### STATUS\_CML Message Contents:

BIT	MEANING
7	Invalid or unsupported command received.
6	Invalid or unsupported data received.
5	Packet error check failed.
4	Memory fault detected.
3	Processor fault detected.
2	Reserved (LTC3880 returns 0).
1	Other communication fault.
0	Other memory or logic fault.

$\overline{\text{ALERT}}$  can be asserted if any supported bits are set. Any supported bit may be cleared by writing a 1 to that bit position in STATUS\_CML, in lieu of a CLEAR\_FAULTS command.

This command has one data byte.

### STATUS\_MFR\_SPECIFIC

The STATUS\_MFR\_SPECIFIC commands returns one byte with the manufacturer specific status information.

Each channel has a copy of the same information. Only bit 0 is page specific.

The format for this byte is:

BIT	MEANING
7	Internal Temperature Fault Limit Exceeded.
6	Internal Temperature Warn Limit Exceeded.
5	NVM CRC Fault.
4	PLL is Unlocked
3	Fault Log Present
2	V <sub>DD33</sub> UV or OV Fault
0	GPIO Pin Asserted Low by External Device (paged)

If any of these bits are set, the MFR bit in the STATUS\_WORD will be set.

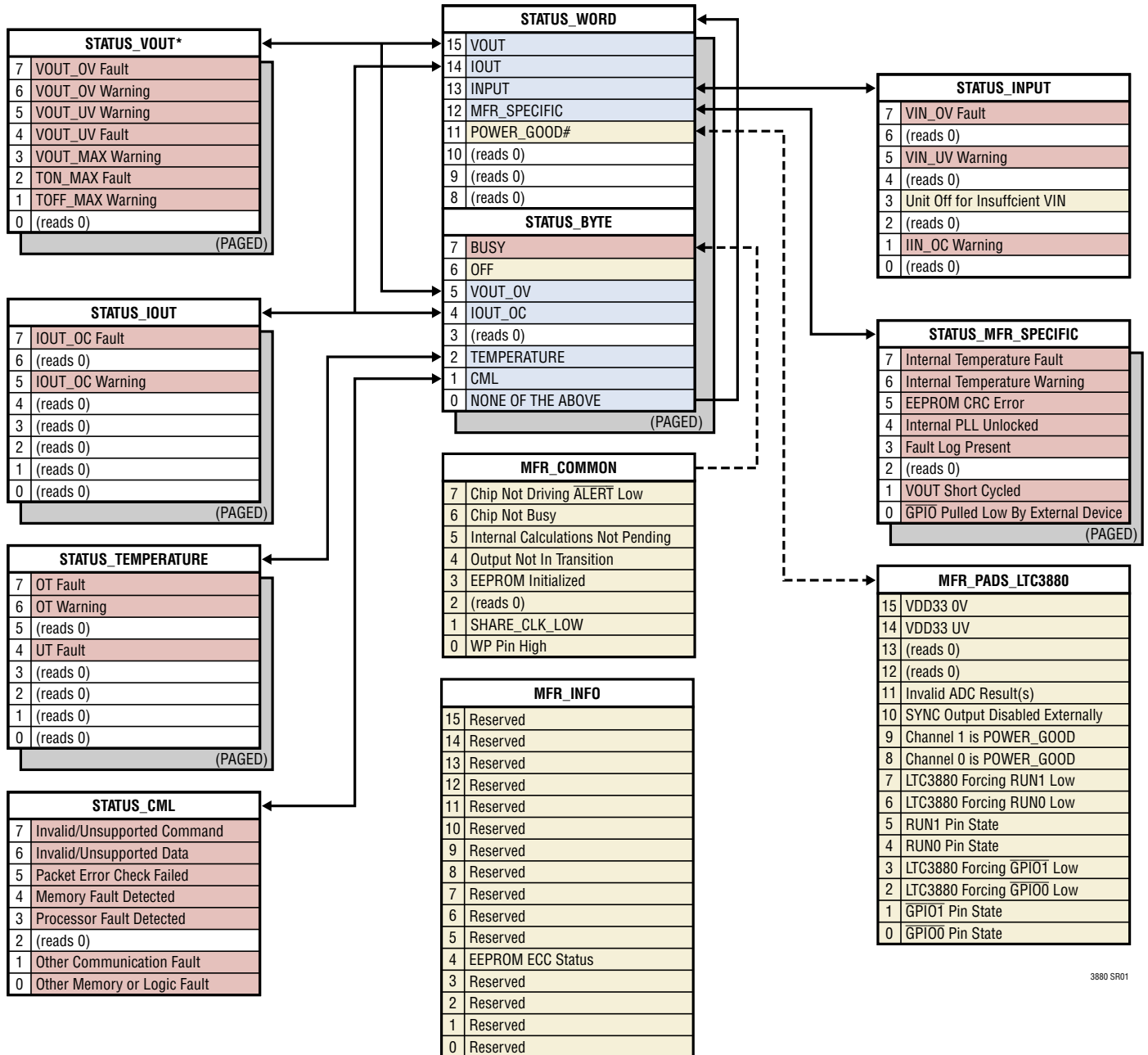
The user is permitted to write a 1 to any bit in this command to clear a specific fault. This permits the user to clear status by means other than using the CLEAR\_FAULTS command. Exception: The fault log present bit can only be cleared by issuing the MFR\_FAULT\_LOG\_CLEAR command.

Any supported fault bit in this command will initiate an  $\overline{\text{ALERT}}$  event.

This command has one data byte.

## PMBus COMMAND DETAILS

### Summary of the Status Registers



3880 SR01

DESCRIPTION	MASKABLE	GENERATES ALERT	BIT CLEARABLE
General Fault or Warning Event	Yes	Yes	Yes
Dynamic	No	No	No
Status Derived from Other Bits	No	Not Directly	No

## PMBus COMMAND DETAILS

### MFR\_PADS

This command provides the user a means of directly reading the digital status of the I/O pins of the device. The bit assignments of this command are as follows:

BIT	ASSIGNED DIGITAL PIN
15	V <sub>DD33</sub> OV Fault
14	V <sub>DD33</sub> UV Fault
13	Reserved
12	Reserved
11	ADC Values Invalid, Occurs During Start-Up
10	Device Driving $\overline{\text{ALERT}}$ Low
9	PowerGood1
8	PowerGood0
7	Device Driving RUN1 Low
6	Device Driving RUN0 Low
5	RUN1
4	RUN0
3	Device Driving $\overline{\text{GPIO1}}$ Low
2	Device Driving $\overline{\text{GPIO0}}$ Low
1	$\overline{\text{GPIO1}}$
0	$\overline{\text{GPIO0}}$

A 1 indicates the condition is true.

This read-only command has two data bytes.

### MFR\_COMMON

The MFR\_COMMON command contains bits that are common to all LTC digital power and telemetry products.

BIT	MEANING
7	CHIP NOT DRIVING ALERT LOW
6	CHIP NOT BUSY
5	CALCULATIONS NOT PENDING
4	OUTPUT NOT IN TRANSITION
3	NVM Initialized
2	Reserved
1	SHARE_CLK Timeout
0	WP Pin Status

This read-only command has one data byte.

## PMBus COMMAND DETAILS

### MFR\_INFO

The MFR\_INFO command contains additional status bits that are LTC3880-specific and may be common to multiple LTC PSM products.

#### MFR\_INFO Data Contents:

BIT	MEANING
15:6	Reserved.
5	EEPROM ECC status. 0: Corrections made in the EEPROM user space. 1: No corrections made in the EEPROM user space.
4:0	Reserved

EEPROM ECC status is updated after each RESTORE\_USER\_ALL or RESET command, a power-on reset or an EEPROM bulk read operation. This read-only command has two data bytes.

### TELEMETRY

COMMAND NAME	CMD CODE	DESCRIPTION	TYPE	PAGED	FORMAT	UNITS	NVM	DEFAULT VALUE
READ_VIN	0x88	Measured input supply voltage.	R Word	N	L11	V		NA
READ_VOUT	0x8B	Measured output voltage.	R Word	Y	L16	V		NA
READ_IIN	0x89	Calculated input supply current.	R Word	N	L11	A		NA
MFR_READ_IIN	0xED	Calculated input current per channel.	R Word	Y	L11	A		NA
READ_IOUT	0x8C	Measured output current.	R Word	Y	L11	A		NA
READ_TEMPERATURE_1	0x8D	External diode junction temperature. This is the value used for all temperature related processing, including IOUT_CAL_GAIN.	R Word	Y	L11	C		NA
READ_TEMPERATURE_2	0x8E	Internal junction temperature. Does not affect any other registers.	R Word	N	L11	C		NA
READ_DUTY_CYCLE	0x94	Duty cycle of the top gate control signal.	R Word	Y	L11	%		NA
READ_POUT	0x96	Calculated output power.	R Word	Y	L11	W		NA
MFR_VOUT_PEAK	0xDD	Maximum measured value of READ_VOUT since last MFR_CLEAR_PEAKS.	R Word	Y	L16	V		NA
MFR_VIN_PEAK	0xDE	Maximum measured value of READ_VIN since last MFR_CLEAR_PEAKS.	R Word	N	L11	V		NA
MFR_TEMPERATURE_1_PEAK	0xDF	Maximum measured value of external Temperature (READ_TEMPERATURE_1) since last MFR_CLEAR_PEAKS.	R Word	Y	L11	C		NA
MFR_TEMPERATURE_2_PEAK	0xF4	Maximum measured value of external Temperature (READ_TEMPERATURE_2) since last MFR_CLEAR_PEAKS.	R Word	N	L11	C		NA
MFR_IOUT_PEAK	0xD7	Report the maximum measured value of READ_IOUT since last MFR_CLEAR_PEAKS.	R Word	Y	L11	A		NA

### READ\_VIN

The READ\_VIN command returns the measured input voltage, in volts.

This read-only command has two data bytes and is formatted in Linear\_5s\_11s format.

## PMBus COMMAND DETAILS

### **READ\_VOUT**

The READ\_VOUT command returns the measured output voltage in the same format as set by the VOUT\_MODE command.

This read-only command has two data bytes and is formatted in Linear\_16u format.

### **READ\_IIN**

The READ\_IIN command returns the input current in Amperes. Note: Input current is calculated from READ\_IOUT current and the READ\_DUTY\_CYCLE value from both outputs plus the MFR\_IIN\_OFFSET. For accurate values at low currents the part must be in continuous conduction mode. The greatest source of error if DCR sensing is used, is the accuracy of the inductor parasitic DC resistance (DCR) at room temperature IOUT\_CAL\_GAIN.

$$\text{READ\_IIN} = \text{MFR\_READ\_IIN\_PAGE0} + \text{MFR\_READ\_IIN\_PAGE1}$$

This read-only command has two data bytes and is formatted in Linear\_5s\_11s format.

### **MFR\_READ\_IIN**

The MFR\_READ\_IIN command is a paged reading of the input current that applies the paged MFR\_IIN\_OFFSET parameter. This calculation is similar to READ\_IIN except the paged values are used.

$$\text{MFR\_READ\_IIN} = \text{MFR\_IIN\_OFFSET} + (\text{IOUT} \cdot \text{DUTYCYCLE})$$

This command has 2 data bytes and is formatted in Linear\_5s\_11s format.

### **READ\_IOUT**

The READ\_IOUT command returns the average output current in amperes. The IOUT value is a function of:

- a) the differential voltage measured across the I<sub>SENSE</sub> pins
- b) the IOUT\_CAL\_GAIN value
- c) the MFR\_IOUT\_CAL\_GAIN\_TC value, and
- d) READ\_TEMPERATURE\_1 value
- e) The MFR\_TEMP\_1\_GAIN and the MFR\_TEMP\_1\_OFFSET

This read-only command has two data bytes and is formatted in Linear\_5s\_11s format.

### **READ\_TEMPERATURE\_1**

The READ\_TEMPERATURE\_1 command returns the temperature, in degrees Celsius, of the external sense element.

This read-only command has two data bytes and is formatted in Linear\_5s\_11s format.

### **READ\_TEMPERATURE\_2**

The READ\_TEMPERATURE\_2 command returns the temperature, in degrees Celsius, of the internal sense element.

This read-only command has two data bytes and is formatted in Linear\_5s\_11s format.

## **PMBus COMMAND DETAILS**

### ***READ\_DUTY\_CYCLE***

The READ\_DUTY\_CYCLE command returns the duty cycle of controller, in percent.

This read-only command has two data bytes and is formatted in Linear\_5s\_11s format.

### ***READ\_POUT***

The READ\_POUT command is a paged reading of the DC/DC converter output power in Watts. The POUT is calculated based on the most recent correlated output voltage and current readings.

This command has 2 data bytes and is formatted in Linear\_5s\_11s format.

### ***MFR\_VOUT\_PEAK***

The MFR\_VOUT\_PEAK command reports the highest voltage, in volts, reported by the READ\_VOUT measurement.

This command is cleared using the MFR\_CLEAR\_PEAKS command.

This read-only command has two data bytes and is formatted in Linear\_16u format.

### ***MFR\_VIN\_PEAK***

The MFR\_VIN\_PEAK command reports the highest voltage, in volts, reported by the READ\_VIN measurement.

This command is cleared using the MFR\_CLEAR\_PEAKS command.

This read-only command has two data bytes and is formatted in Linear\_5s\_11s format.

### ***MFR\_TEMPERATURE\_1\_PEAK***

The MFR\_TEMPERATURE\_1\_PEAK command reports the highest temperature, in degrees Celsius, reported by the READ\_TEMPERATURE\_1 measurement.

This command is cleared using the MFR\_CLEAR\_PEAKS command.

This read-only command has two data bytes and is formatted in Linear\_5s\_11s format.

### ***MFR\_TEMPERATURE\_2\_PEAK***

The MFR\_TEMPERATURE\_2\_PEAK command reports the highest temperature, in degrees Celsius, reported by the READ\_TEMPERATURE\_2 measurement.

This command is cleared using the MFR\_CLEAR\_PEAKS command.

This read-only command has two data bytes and is formatted in Linear\_5s\_11s format.

### ***MFR\_IOUT\_PEAK***

The MFR\_IOUT\_PEAK command reports the highest current, in amperes, reported by the READ\_IOUT measurement.

This command is cleared using the MFR\_CLEAR\_PEAKS command.

This read-only command has two data bytes and is formatted in Linear\_5s\_11s format.

## PMBus COMMAND DETAILS

### NVM MEMORY COMMANDS

#### Store/Restore

COMMAND NAME	CMD CODE	DESCRIPTION	TYPE	PAGED	FORMAT	UNITS	NVM	DEFAULT VALUE
STORE_USER_ALL	0x15	Store user operating memory to EEPROM.	Send Byte	N				NA
RESTORE_USER_ALL	0x16	Restore user operating memory from EEPROM.	Send Byte	N				NA
MFR_COMPARE_USER_ALL	0xF0	Compares current command contents with NVM.	Send Byte	N				NA

#### ***STORE\_USER\_ALL***

The STORE\_USER\_ALL command instructs the PMBus device to copy the non-volatile user contents of the Operating Memory to the matching locations in the non-volatile User NVM memory.

Executing this command if the die temperature exceeds 85°C is not recommended and the data retention of 10 years cannot be guaranteed. If the die temperature exceeds 130°C, the STORE\_USER\_ALL command is disabled. The command is re-enabled when the IC temperature drops below 125°C.

Communication with the LTC3880 and programming of the NVM can be initiated when VDD33 is available and VIN is not applied. To enable the part in this state, using global address 0x5B write 0x2B followed by 0xC4. The part can now be communicated with, and the project file updated. To write the updated project file to the NVM issue a STORE\_USER\_ALL command. When VIN is applied, a MFR\_RESET must be issued to allow the PWM to be enabled and valid ADCs to be read.

This write-only command has no data bytes.

#### ***RESTORE\_USER\_ALL***

The RESTORE\_USER\_ALL command instructs the PMBus device to copy the contents of the non-volatile User memory to the matching locations in the Operating Memory. The values in the Operating Memory are overwritten by the value retrieved from the User commands. When a RESTORE\_USER\_ALL command is issued, the RUN pins and SHARE\_CLK pin are asserted low until the restore is complete. The RUN pins and SHARE\_CLK pin are then released. The run pins are held low for the MFR\_RESTART\_DELAY. The RESTORE\_USER\_ALL command will place the value of all commands stored in NVM into the RAM ignoring the pin-strapped resistor configuration pins including ASEL. The MFR\_RESET command is recommended to be used instead of RESTORE\_USER\_ALL because the MFR\_RESET command always honors the ASEL pins and will honor the pin-strapped RCONFIG pins if the part is programmed to respect them.

RESTORE\_USER\_ALL. RESTORE\_USER\_ALL commands are disabled if the die exceeds 130°C and are not re-enabled until the die temperature drops below 125°C.

This write-only command has no data bytes.

#### ***MFR\_COMPARE\_USER\_ALL***

The MFR\_COMPARE\_USER\_ALL command instructs the PMBus device to compare current command contents with what is stored in non-volatile memory. If the compare operation detects differences, a CML bit 0 fault will be generated.

This write-only command has no data bytes.

## PMBus COMMAND DETAILS

### Fault Log Operation

A conceptual diagram of the fault log is shown in Figure 32. The fault log provides telemetry recording capability to the LTC3880. During normal operation, the contents of the status registers, the output voltage readings, temperature readings as well as peak values of these quantities are stored in a continuously updated buffer in RAM. You can think of the operation as being similar to a strip chart recorder. When a fault occurs, the contents are written into EEPROM for nonvolatile storage. The EEPROM fault log is then locked. The part can be powered down with the fault log available for reading at a later time. As a consequence of adding ECC, the area in the EEPROM available for fault log is reduced. When reading the fault log from RAM, all 6 events of cyclical data remain. However, when the fault log is read from EEPROM (after a reset), the last 2 events are lost. The read length of 147 bytes remains the same, but the fifth and sixth events are a repeat of the fourth event.

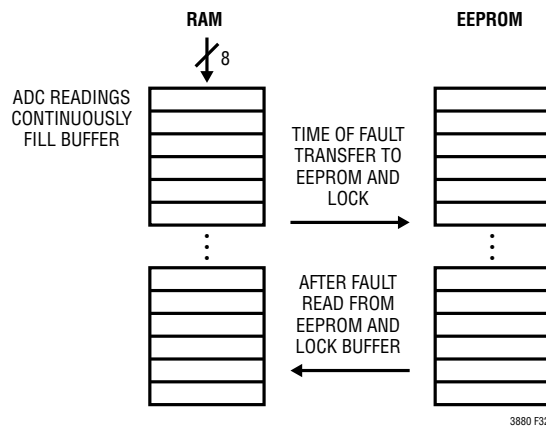


Figure 32. Fault Log Conceptual Diagram

### Fault Logging

COMMAND NAME	CMD CODE	DESCRIPTION	TYPE	PAGED	DATA FORMAT	UNITS	NVM	DEFAULT VALUE
MFR_FAULT_LOG	0xEE	Fault log data bytes. This sequentially retrieved data is used to assemble a complete fault log.	R Block	N	CF		Y	NA
MFR_FAULT_LOG_STORE	0xEA	Command a transfer of the fault log from RAM to EEPROM. This causes the part to behave as if a channel has faulted off.	Send Byte	N				NA
MFR_FAULT_LOG_CLEAR	0xEC	Initialize the EEPROM block reserved for fault logging and clear any previous fault logging locks.	Send Byte	N				NA

## **PMBus COMMAND DETAILS**

### ***MFR\_FAULT\_LOG***

The MFR\_FAULT\_LOG command allows the user to read the contents of the FAULT\_LOG after the first fault occurrence since the last MFR\_FAULT\_LOG\_CLEAR command was last written. The contents of this command are stored in non-volatile memory, and are cleared by the MFR\_FAULT\_LOG\_CLEAR command. The length and content of this command are listed in Table 11. If the user accesses the MFR\_FAULT\_LOG command and no fault log is present, the command will return a data length of 0. If a fault log is present, the MFR\_FAULT\_LOG will always return a block of data 147 bytes long. If a fault occurs within the first second of applying power, some of the earlier pages in the fault log may not contain valid data.

NOTE: The approximate transfer time for this command is 3.4ms using a 400kHz clock.

This read-only command is in block format.

### ***MFR\_FAULT\_LOG\_STORE***

The MFR\_FAULT\_LOG\_STORE command forces the fault log operation to be written to NVM just as if a fault event occurred. This command will generate a MFR\_SPECIFIC fault if the “Enable Fault Logging” bit is set in the MFR\_CONFIG\_ALL\_LTC3880 command.

If the die temperature exceeds 130°C, the MFR\_FAULT\_LOG\_STORE command is disabled until the IC temperature drops below 125°C.

Up-Time Counter is in the Fault Log header. The counter is the time since the last reset in 200µs increments. This is a 48-bit binary counter.

This write-only command has no data bytes.

## PMBus COMMAND DETAILS

**Table 11. Fault Logging**

This table outlines the format of the block data from a read block data of the MFR\_FAULT\_LOG command.

<b>Data Format Definitions</b>				LIN 11 = PMBus = Rev 1.1, Part 2, section 7.1
				LIN 16 = PMBus Rev 1.1, Part 2, section 8. Mantissa portion only
				BYTE = 8 bits interpreted per definition of this command
<b>DATA</b>	<b>BITS</b>	<b>DATA FORMAT</b>	<b>BYTE NUM</b>	<b>BLOCK READ COMMAND</b>
Block Length		BYTE	147	The MFR_FAULT_LOG command is a fixed length of 147 bytes The block length will be zero if a data log event has not been captured
<b>HEADER INFORMATION</b>				
Position_Fault		BYTE	0	Indicates the fault that caused the fault log to be activated.
MFR_REAL_TIME	[7:0]	BYTE	1	48-bit binary counter. The value is the time since the last reset in 200µs increments.
	[15:8]	BYTE	2	
	[23:16]	BYTE	3	
	[31:24]	BYTE	4	
	[39:32]	BYTE	5	
	[47:40]	BYTE	6	
MFR_VOUT_PEAK (PAGE 0)	[15:8]	LIN 16	7	Peak READ_VOUT page 0 since last MFR_CLEAR_PEAKS.
	[7:0]	LIN 16	8	
MFR_VOUT_PEAK (PAGE 1)	[15:8]	LIN 16	9	Peak READ_VOUT page 1 since last MFR_CLEAR_PEAKS.
	[7:0]	LIN 16	10	
MFR_IOUT_PEAK (PAGE 0)	[15:8]	LIN 11	11	Peak READ_IOUT page 0 since last MFR_CLEAR_PEAKS.
	[7:0]	LIN 11	12	
MFR_IOUT_PEAK (PAGE 1)	[15:8]	LIN 11	13	Peak READ_IOUT page 1 since last MFR_CLEAR_PEAKS.
	[7:0]	LIN 11	14	
MFR_VIN_PEAK	[15:8]	LIN 11	15	Peak READ_VIN since last MFR_CLEAR_PEAKS.
	[7:0]	LIN 11	16	
READ_TEMPERATURE_1 (PAGE 0)	[15:8]	LIN 11	17	External temperature sensor 0 during last event
	[7:0]	LIN 11	18	
READ_TEMPERATURE_1 (PAGE 1)	[15:8]	LIN 11	19	External temperature sensor 1 during last event
	[7:0]	LIN 11	20	
READ_TEMPERATURE_2	[15:8]	LIN 11	21	Internal temperature sensor during last event
	[7:0]	LIN 11	22	
MFR_TEMPERATURE1_PEAK (PAGE 0)	[15:8]	LIN 11	23	Peak READ_TEMPERATURE_1 page 0 since MFR_CLEAR_PEAKS.
	[7:0]	LIN 11	24	
MFR_TEMPERATURE1_PEAK (PAGE 1)	[15:8]	LIN 11	25	Peak READ_TEMPERATURE_1 page 1 since MFR_CLEAR_PEAKS.
	[7:0]	LIN 11	26	

## PMBus COMMAND DETAILS

### CYCLICAL DATA

<b>EVENT n</b> (Data at Which Fault Occurred; Most Recent Data)				Event “n” represents one complete cycle of ADC reads through the MUX at time of fault. Example: If the fault occurs when the ADC is processing step 15, it will continue to take readings through step 25 and then store the header and all 6 event pages to EEPROM
READ_VOUT (PAGE 0)	[15:8]	LIN 16	27	
	[7:0]	LIN 16	28	
READ_VOUT (PAGE 1)	[15:8]	LIN 16	29	
	[7:0]	LIN 16	30	
READ_IOUT (PAGE 0)	[15:8]	LIN 11	31	
	[7:0]	LIN 11	32	
READ_IOUT (PAGE 1)	[15:8]	LIN 11	33	
	[7:0]	LIN 11	34	
READ_VIN	[15:8]	LIN 11	35	
	[7:0]	LIN 11	36	
READ_IIN	[15:8]	LIN 11	37	
	[7:0]	LIN 11	38	
STATUS_VOUT (PAGE 0)		BYTE	39	
STATUS_VOUT (PAGE 1)		BYTE	40	
STATUS_WORD (PAGE 0)	[15:8]	WORD	41	
	[7:0]	WORD	42	
STATUS_WORD (PAGE 1)	[15:8]	WORD	43	
	[7:0]	WORD	44	
STATUS_MFR_SPECIFIC (PAGE 0)		BYTE	45	
STATUS_MFR_SPECIFIC (PAGE 1)		BYTE	46	
<b>EVENT n-1</b> (Data Measured Before Fault Was Detected)				
READ_VOUT (PAGE 0)	[15:8]	LIN 16	47	
	[7:0]	LIN 16	48	
READ_VOUT (PAGE 1)	[15:8]	LIN 16	49	
	[7:0]	LIN 16	50	
READ_IOUT (PAGE 0)	[15:8]	LIN 11	51	
	[7:0]	LIN 11	52	
READ_IOUT (PAGE 1)	[15:8]	LIN 11	53	
	[7:0]	LIN 11	54	
READ_VIN	[15:8]	LIN 11	55	
	[7:0]	LIN 11	56	
READ_IIN	[15:8]	LIN 11	57	
	[7:0]	LIN 11	58	
STATUS_VOUT (PAGE 0)		BYTE	59	
STATUS_VOUT (PAGE 1)		BYTE	60	
STATUS_WORD (PAGE 0)	[15:8]	WORD	61	
	[7:0]	WORD	62	
STATUS_WORD (PAGE 1)	[15:8]	WORD	63	
	[7:0]	WORD	64	
STATUS_MFR_SPECIFIC (PAGE 0)		BYTE	65	
STATUS_MFR_SPECIFIC (PAGE 1)		BYTE	66	
*				
*				
*				

**PMBus COMMAND DETAILS**

EVENT n-5			
(Oldest Recorded Data)			
READ_VOUT (PAGE 0)	[15:8]	LIN 16	127
	[7:0]	LIN 16	128
READ_VOUT (PAGE 1)	[15:8]	LIN 16	129
	[7:0]	LIN 16	130
READ_IOUT (PAGE 0)	[15:8]	LIN 11	131
	[7:0]	LIN 11	132
READ_IOUT (PAGE 1)	[15:8]	LIN 11	133
	[7:0]	LIN 11	134
READ_VIN	[15:8]	LIN 11	135
	[7:0]	LIN 11	136
READ_IIN	[15:8]	LIN 11	137
	[7:0]	LIN 11	138
STATUS_VOUT (PAGE 0)		BYTE	139
STATUS_VOUT (PAGE 1)		BYTE	140
STATUS_WORD (PAGE 0)	[15:8]	WORD	141
	[7:0]	WORD	142
STATUS_WORD (PAGE 1)	[15:8]	WORD	143
	[7:0]	WORD	144
STATUS_MFR_SPECIFIC (PAGE 0)		BYTE	145
STATUS_MFR_SPECIFIC (PAGE 1)		BYTE	146

## PMBus COMMAND DETAILS

**Table 11a: Explanation of Position\_Fault Values**

POSITION_FAULT VALUE	SOURCE OF FAULT LOG
0xFF	MFR_FAULT_LOG_STORE
0x00	TON_MAX_FAULT Channel 0
0x01	VOUT_OV_FAULT Channel 0
0x02	VOUT_UV_FAULT Channel 0
0x03	IOUT_OC_FAULT Channel 0
0x05	OT_FAULT Channel 0
0x06	UT_FAULT Channel 0
0x07	VIN_OV_FAULT Channel 0
0x0A	MFR_OT_FAULT Channel 0
0x10	TON_MAX_FAULT Channel 1
0x11	VOUT_OV_FAULT Channel 1
0x12	VOUT_UV_FAULT Channel 1
0x13	IOUT_OC_FAULT Channel 1
0x15	OT_FAULT Channel 1
0x16	UT_FAULT Channel 1
0x17	VIN_OV_FAULT Channel 1
0x1A	MFR_OT_FAULT Channel 1

### ***MFR\_FAULT\_LOG\_CLEAR***

The MFR\_FAULT\_LOG\_CLEAR command will erase the fault log file stored values. It will also clear bit 3 in the STATUS\_MFR\_SPECIFIC command. After a clear is issued, the status can take up to 8ms to clear.

This write-only command is send bytes.

### **Block Memory Write/Read**

COMMAND NAME	CMD CODE	DESCRIPTION	TYPE	PAGED	DATA FORMAT	UNITS	NVM	DEFAULT VALUE
MFR_EE_UNLOCK	0xBD	Unlock user EEPROM for access by MFR_EE_ERASE and MFR_EE_DATA commands.	R/W Byte	N	Reg			NA
MFR_EE_ERASE	0xBE	Initialize user EEPROM for bulk programming by MFR_EE_DATA.	R/W Byte	N	Reg			NA
MFR_EE_DATA	0xBF	Data transferred to and from EEPROM using sequential PMBus word reads or writes. Supports bulk programming.	R/W Word	N	Reg			NA

All the NVM commands are disabled if the die temperature exceeds 130°C. NVM commands are re-enabled when the die temperature drops below 125°C.

## **PMBus COMMAND DETAILS**

### ***MFR\_EE\_UNLOCK***

Multiple writes to MFR\_EE\_UNLOCK with the appropriate unlock keys are used to enable MFR\_EE\_ERASE and MFR\_EE\_DATA access and configure PEC.

Communication with the LTC3880 and programming of the NVM can be initiated when VDD33 is applied and VIN is not. To enable the part in this state, use global address 0x5B command 0xBD data 0x2B followed by address 0x5B command 0xBD data 0xC4. When VIN is applied, a MFR\_RESET must be issued to allow the PWM to be enabled and valid ADCs to be read.

Writing 0x2B followed by 0xD4 clears PEC, resets the EEPROM address pointer and unlocks the part for EEPROM erase and data command writes.

Writing 0x2B followed by 0xD5 sets the PEC, resets the EEPROM address pointer and unlocks the part for EEPROM erase and data command writes.

Writing 0x2B followed by 0x91 and 0xE4 clears PEC, resets the EEPROM address pointer and unlocks the part for EEPROM data reads of all locations.

Writing 0x2B followed by 0x91 and 0xE5 sets PEC, resets the EEPROM address pointer and unlocks the part for EEPROM data reads of all locations.

### ***MFR\_EE\_ERASE***

A single write after the appropriate unlock key erases the EEPROM allowing subsequent data writes. This register may be read to indicate if an EEPROM access is in progress.

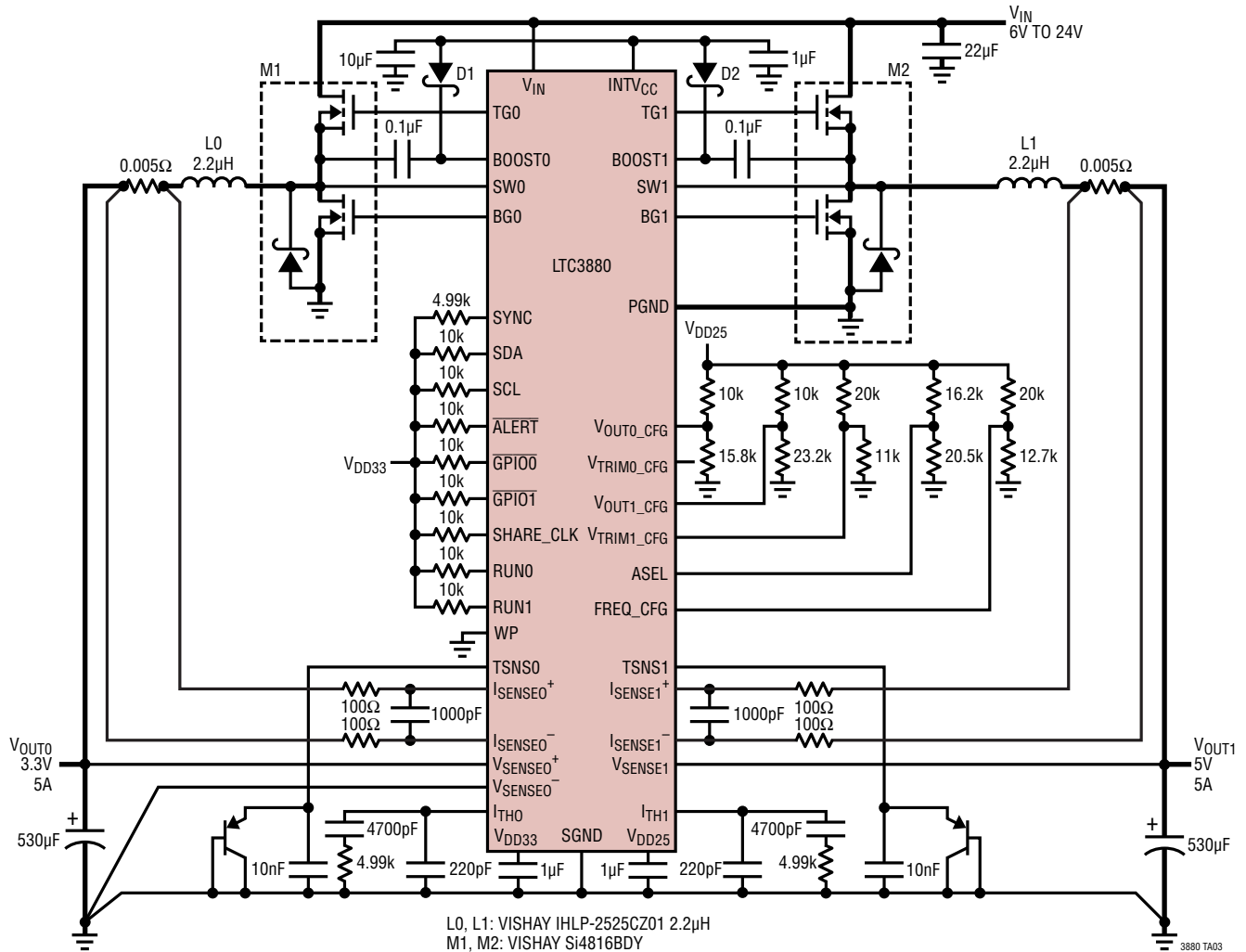
A value of 0x2B will erase the EEPROM. If the part is busy writing or erasing the EEPROM a non-zero value will be returned.

### ***MFR\_EE\_DATA***

Sequential writes or reads perform block loads or restores from the EEPROM. Successive MFR\_EE\_DATA word writes will enter the EEPROM until it is full. Extra writes will lock the part. The first write is to the lowest address. The first read returns the 16 bit EEPROM packing revision ID. The second read returns the number of 16 bit words available. Subsequent reads return EEPROM data starting with the lowest address.

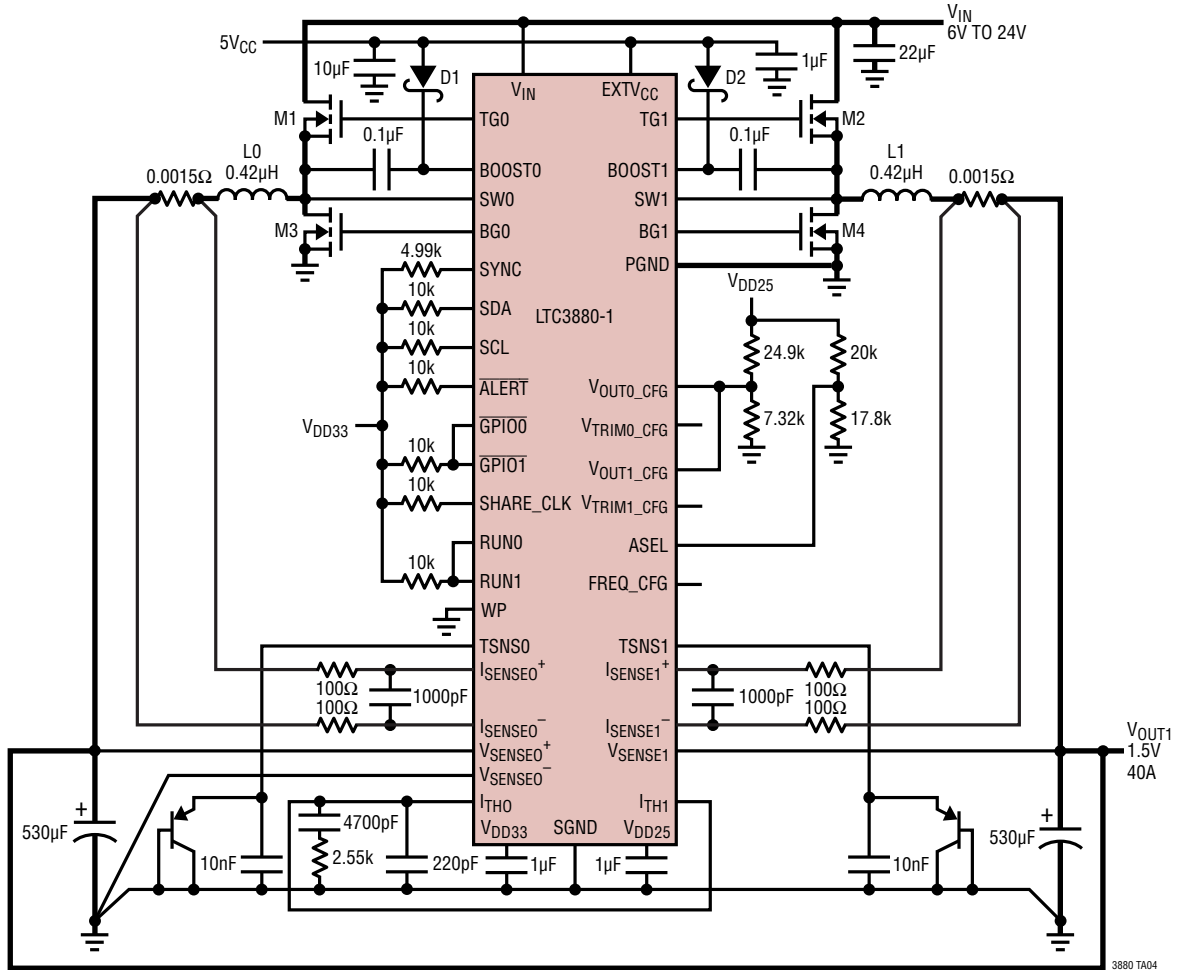
# TYPICAL APPLICATIONS

## High Efficiency Dual 500kHz 5V/3.3V Step-Down Converter with Sense Resistors



## TYPICAL APPLICATIONS

High Efficiency 350kHz 2-Phase 1.5V Dual Step-Down Converter with External  $V_{CC}$  and Sense Resistors

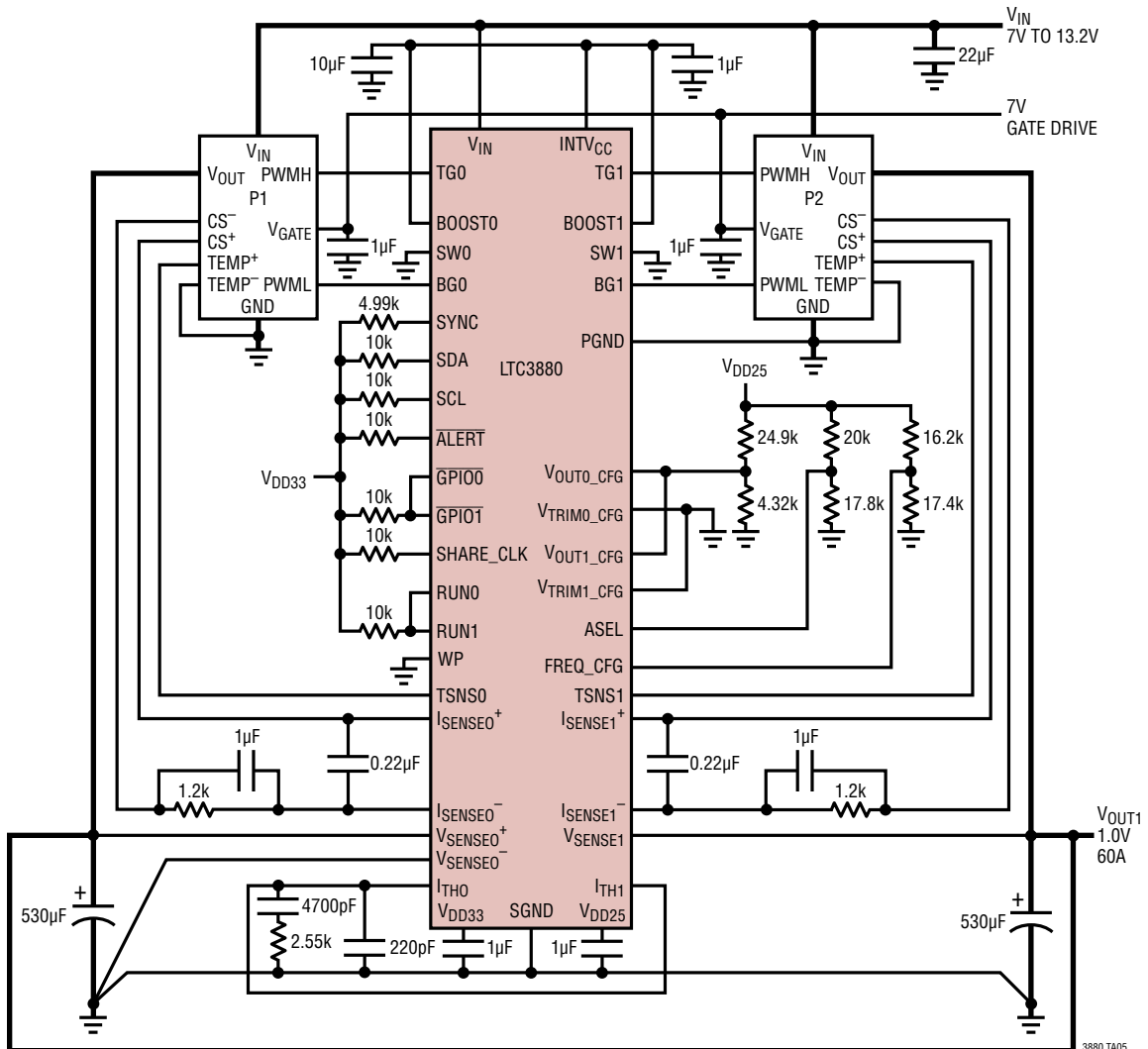


L0, L1: VITEC 59PR9875 0.42µH  
M1, M2: INFINEON BSC050N03LS  
M3, M4: INFINEON BSC010NE2LSI

3880 TA04

# TYPICAL APPLICATIONS

## High Efficiency 425kHz 1V Step-Down Dual Phase Converter with Power Blocks

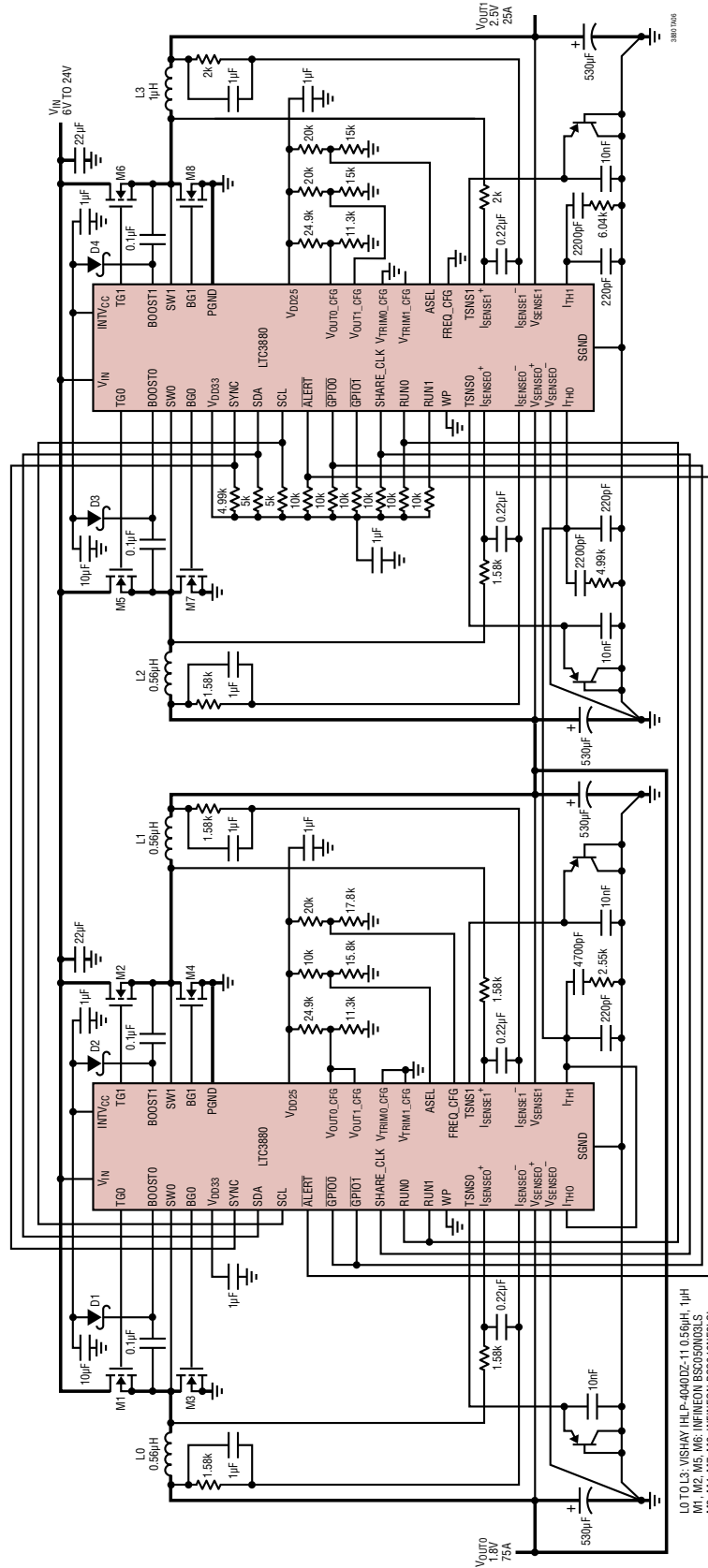


P1, P2: VRA001-4C3G ACBEL POWER BLOCK

3880 TA05

## TYPICAL APPLICATIONS

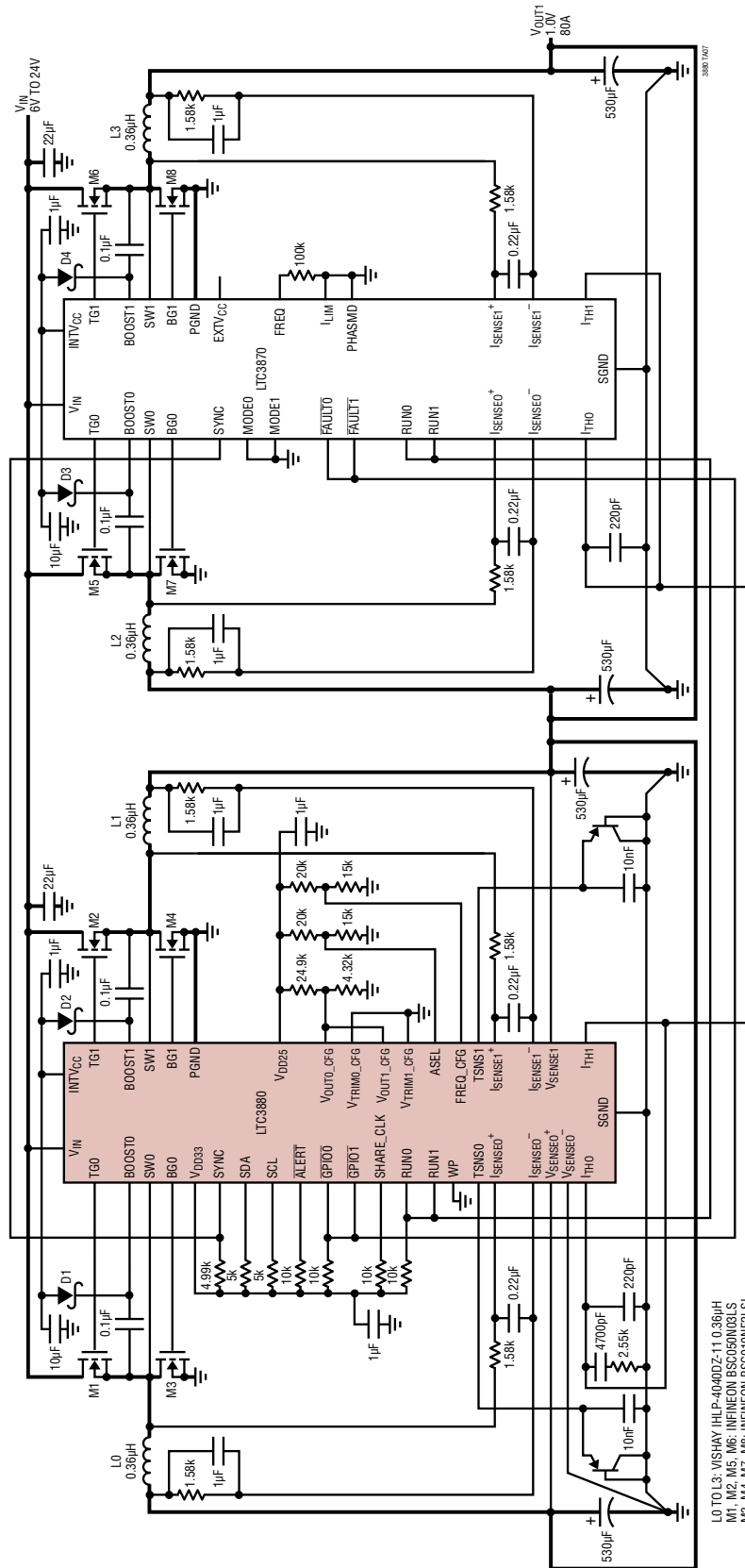
High Efficiency 425kHz 3-Phase 1.8V and 1-Phase 2.5V Step-Down Converter



L0 TO L3: VISHAY IHI P-4040Z-11 0.56µH, 1µH  
 M1, M2, M5, M6: INFINEON BSC050M03LS  
 M3, M4, M7, M8: INFINEON BSC010M2LS1

TYPICAL APPLICATIONS

High Efficiency 425kHz 4-Phase 1.0V Step-Down 1V Converter with an LTC3880 and LTC3870 PSM Slave

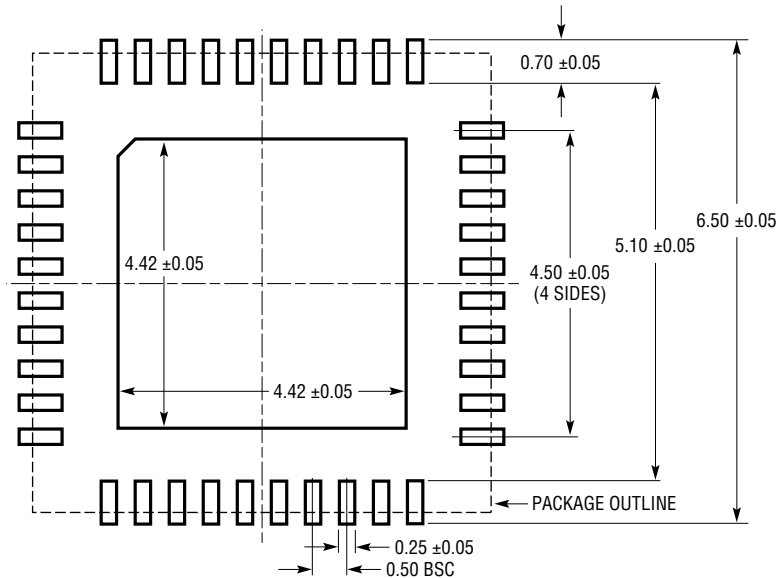


L0 TO L3: WISHAY (HLP-4040DZ-11 0.36uH)  
 M1, M2, M5, M6: INFINEON BSC050N03LS  
 M3, M4, M7, M8: INFINEON BSC010N02LS

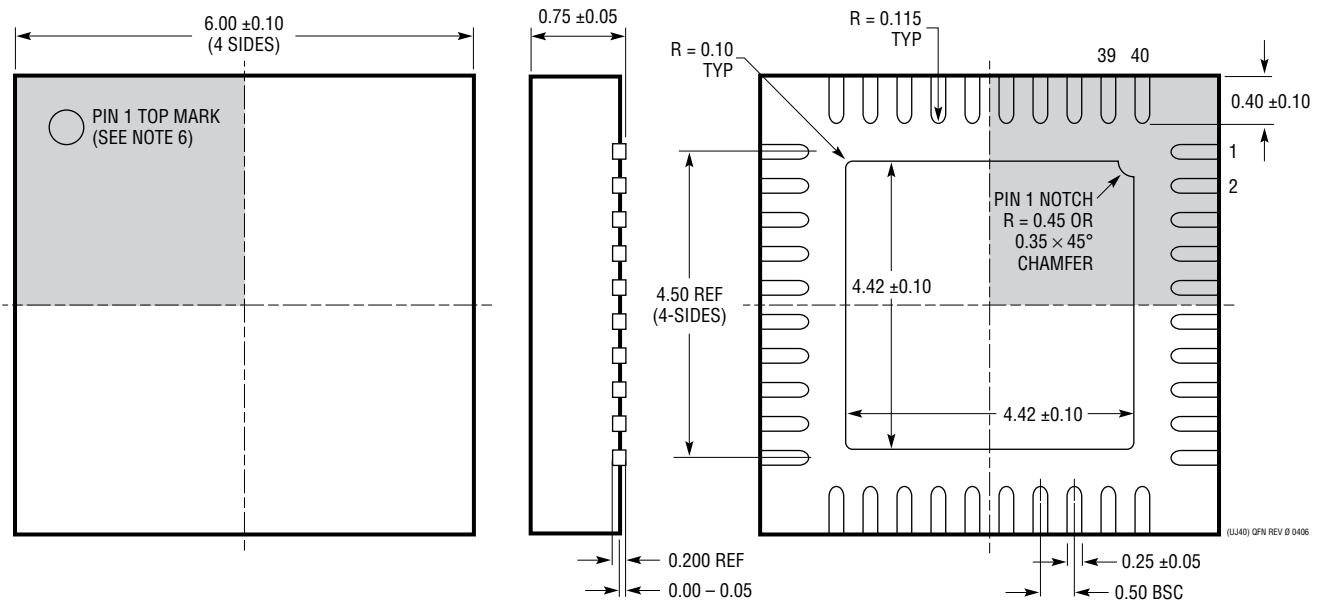
## PACKAGE DESCRIPTION

Please refer to <http://www.linear.com/product/LTC3880#packaging> for the most recent package drawings.

**UJ Package**  
**40-Lead Plastic QFN (6mm × 6mm)**  
 (Reference LTC DWG # 05-08-1728 Rev 0)



RECOMMENDED SOLDER PAD PITCH AND DIMENSIONS  
 APPLY SOLDER MASK TO AREAS THAT ARE NOT SOLDERED



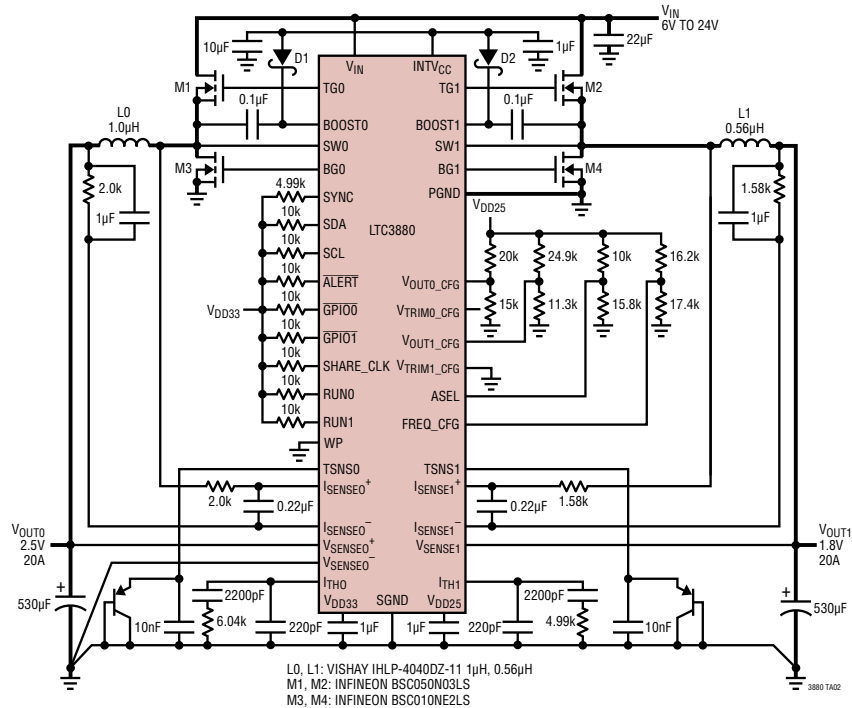
- NOTE:
1. DRAWING IS A JEDEC PACKAGE OUTLINE VARIATION OF (WJJD-2)
  2. DRAWING NOT TO SCALE
  3. ALL DIMENSIONS ARE IN MILLIMETERS
  4. DIMENSIONS OF EXPOSED PAD ON BOTTOM OF PACKAGE DO NOT INCLUDE MOLD FLASH. MOLD FLASH, IF PRESENT, SHALL NOT EXCEED 0.20mm ON ANY SIDE, IF PRESENT
  5. EXPOSED PAD SHALL BE SOLDER PLATED
  6. SHADED AREA IS ONLY A REFERENCE FOR PIN 1 LOCATION ON THE TOP AND BOTTOM OF PACKAGE

**REVISION HISTORY**

REV	DATE	DESCRIPTION	PAGE NUMBER
A	10/11	Added I-grade, all sections updated	1-112
B	11/13	Amended upper limit of $I_{SENSE0/1}$	5
		Amended parametric errors and typical values	6
		Amended Pin Function errors	13
		Amended 2nd left paragraph under Operation	17
		Amended 3rd left paragraph under Operation	23
		Amended commands on Table 2	31
		Amended formula on Figure 18a	38
		Amended component on Figure 27	56
		Amended Scratchpad table	88
		Amended Identification table	89
		Amended PMBus Command Details table	100
		Amended components on Typical Application page	106
C	05/14	Added Initialization Time	5
		Reduced readback time	Throughout
		Edit equations	40, 57, 58
		Changed schematic MOSFET part numbers	56, 106, 108, 109
		Edit VOUT_MAX description	31
		Edit MFR_VOUT_MAX description	33
		Added STATUS Message content	90, 91, 92, 93
D	12/14	Added (PGOOD) after VOUT_UVUF	19, 24, 43, 65, 88
E	7/16	Added LTC3880-1 to $V_{IN}$ pin description	14
		Added LTC3887/LTC3887-1 comparison table	1
F	9/16	Widened storage temperature range	4
G	04/17	Added ECC	1, 16, 17, 24
		Reduced initialization	5
		Reduced conversion time	6

## TYPICAL APPLICATION

### High Efficiency Dual 425kHz 2.5V/1.8V Step-Down Converter



## RELATED PARTS

PART NUMBER	DESCRIPTION	COMMENTS
<a href="#">LTM4676A</a>	Dual 13A or Single 26A Step-Down DC/DC µModule Regulator with Digital Power System Management	$V_{IN}$ Up to 26.5V; $0.5V \leq V_{OUT} (\pm 0.5\%) \leq 5.4V$ , $\pm 2\%$ $I_{OUT}$ ADC Accuracy, Fault Logging, I <sup>2</sup> C/PMBus Interface, 16mm × 16mm × 5mm, BGA Package
<a href="#">LTM4675</a>	Dual 9A or Single 18A Step-Down DC/DC µModule Regulator with Digital Power System Management	$4.5V \leq V_{IN} \leq 17V$ ; $0.5V \leq V_{OUT} \leq 5.5V$ , $\pm 0.5\%$ $V_{OUT}$ Accuracy I <sup>2</sup> C/PMBus Interface, 11.9mm × 16mm × 3.5mm, BGA Package
<a href="#">LTM4677</a>	Dual 18A or Single 36A µModule Regulator with Digital Power System Management	$4.5V \leq V_{IN} \leq 16V$ ; $0.5V \leq V_{OUT} (\pm 0.5\%) \leq 1.8V$ , I <sup>2</sup> C/PMBus Interface, 16mm × 16mm × 5mm, BGA Package
<a href="#">LTC3870/LTC3870-1</a>	Dual Output Multiphase Step-Down Slave Controller	$V_{IN}$ Up to 60V, $0.5V \leq V_{OUT} \leq 14V$ , Very High Output Current, Accurate Current Sharing, Current Mode Applications
<a href="#">LTC3884</a>	Dual Output MultiPhase Step-Down Controller with Sub MilliOhm DCR Sensing Current Mode Control and Digital Power System Management	$4.5V \leq V_{IN} \leq 38V$ , $0.5V \leq V_{OUT} (\pm 0.5\%) \leq 5.5V$ , I <sup>2</sup> C/PMBus Interface, Programmable Analog Loop Compensation, Input Current Sense
<a href="#">LTC3887</a>	Dual Output Multiphase Step-Down DC/DC Controller with Digital Power System Management	$V_{IN}$ Up to 24V, $0.5V \leq V_{OUT0,1} \leq 5.5V$ , 70ms Start-Up, Analog Control Loop, I <sup>2</sup> C/PMBus Interface with EEPROM and 16-Bit ADC
<a href="#">LTC3886</a>	60V Dual Output Step-Down Controller with Digital Power System Management	$4.5V \leq V_{IN} \leq 60V$ , $0.5V \leq V_{OUT0,1} (\pm 0.5\%) \leq 13.8V$ , I <sup>2</sup> C/PMBus Interface, Input Current Sense
<a href="#">LTC3883/LTC3883-1</a>	Single Phase Step-Down DC/DC Controller with Digital Power System Management	$V_{IN}$ Up to 24V, $0.5V \leq V_{OUT} \leq 5.5V$ , Input Current Sense Amplifier, I <sup>2</sup> C/PMBus Interface with EEPROM and 16-Bit ADC
<a href="#">LTC3882/LTC3882-1</a>	Dual Output Multiphase Step-Down DC/DC Voltage Mode Controller with Digital Power System Management	$V_{IN}$ Up to 38V, $0.5V \leq V_{OUT1,2} \leq 5.25V$ , $\pm 0.5\%$ , $V_{OUT}$ Accuracy I <sup>2</sup> C/PMBus Interface with EEPROM and 16-Bit ADC
<a href="#">LTC3815</a>	6A Monolithic Synchronous DC/DC Step-Down Converter with Digital Power System Management	$2.25V \leq V_{IN} \leq 5.5V$ , $0.4V \leq V_{OUT} \leq 0.72 V_{IN}$ , Programmable $V_{OUT}$ Range $\pm 25\%$ with 0.1% Resolution, Up to 3MHz Operation with 13-Bit ADC
<a href="#">LTC3874</a>	Multiphase Step-Down Synchronous Slave Controller for Sub-MilliOhm DCR Sensing	$4.5V \leq V_{IN} \leq 38V$ , $V_{OUT}$ up to 5.5V, Very High Output Current, Accurate Current Sharing, Current Mode Applications

This product has a license from PowerOne, Inc. related to digital power technology as set forth in U.S. Patent 7000125 and other related patents owned by PowerOne, Inc. This license does not extend to standalone power supply products.

3880fg

## Looking for pricing, stock, or lifecycle information?

Click below to explore more details on WIN SOURCE:

 [View DC2088A on WIN SOURCE](#)

 [Linear Technology](#) Information

## Optimize Your Supply Chain with WIN SOURCE Solutions

-  Global Sourcing Solution
-  Obsolete Management
-  Cost Control Management
-  Shortage Management
-  Alternative Solution
-  Excess Inventory Management