



**THE DATASHEET OF
LTC490IS8#TRPBF**



FEATURES

- Low Power: $I_{CC} = 300\mu\text{A}$ Typical
- Designed for RS485 or RS422 Applications
- Single 5V Supply
- -7V to 12V Bus Common Mode Range
Permits $\pm 7\text{V}$ Ground Difference Between Devices on the Bus
- Thermal Shutdown Protection
- Power-Up/-Down Glitch-Free Driver Outputs Permit Live Insertion or Removal of Package
- Driver Maintains High Impedance with the Power Off
- Combined Impedance of a Driver Output and Receiver Allows up to 32 Transceivers on the Bus
- 70mV Typical Input Hysteresis
- 28ns Typical Driver Propagation Delays with 5ns Skew for 2.5MB Operation
- Pin Compatible with the SN75179
- Available in 8-Lead PDIP and SO Packages

APPLICATIONS

- Low Power RS485/RS422 Transceiver
- Level Translator

DESCRIPTION

The LTC[®]490 is a low power differential bus/line transceiver designed for multipoint data transmission standard RS485 applications with extended common mode range (12V to -7V). It also meets the requirements of RS422.

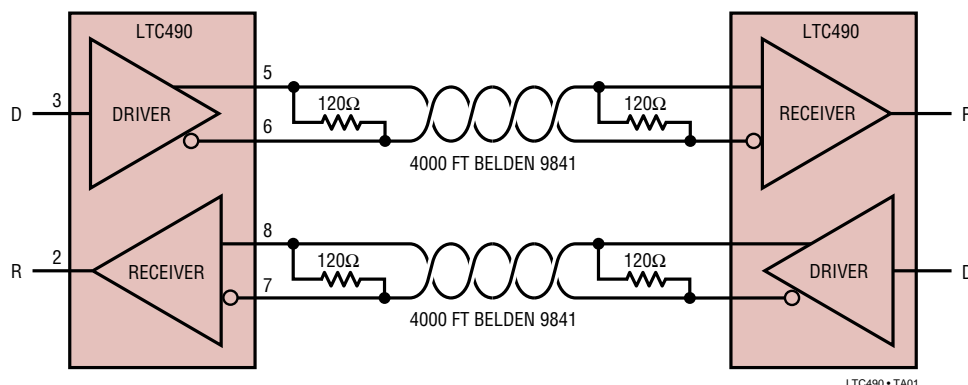
The CMOS design offers significant power savings over its bipolar counterpart without sacrificing ruggedness against overload or ESD damage.

Excessive power dissipation caused by bus contention or faults is prevented by a thermal shutdown circuit which forces the driver outputs into a high impedance state. The receiver has a fail safe feature which guarantees a high output state when the inputs are left open.

Both AC and DC specifications are guaranteed from 0°C to 70°C and 4.75V to 5.25V supply voltage range.

LT, LTC and LT are registered trademarks of Linear Technology Corporation.

TYPICAL APPLICATION

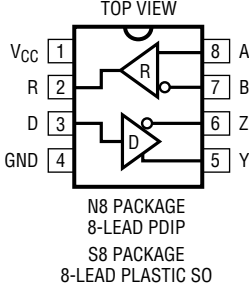


ABSOLUTE MAXIMUM RATINGS

(Note 1)

| | |
|--------------------------------------|--------------------------|
| Supply Voltage (V_{CC}) | 12V |
| Driver Input Currents | -25mA to 25mA |
| Driver Input Voltages | -0.5V to $V_{CC} + 0.5V$ |
| Driver Output Voltages | $\pm 14V$ |
| Receiver Input Voltages | $\pm 14V$ |
| Receiver Output Voltages | -0.5V to $V_{CC} + 0.5V$ |
| Operating Temperature Range | |
| LTC490C | 0°C to 70°C |
| LTC490I | -40°C to 85°C |
| Storage Temperature Range | -65°C to 150°C |
| Lead Temperature (Soldering, 10 sec) | 300°C |

PACKAGE/ORDER INFORMATION

| | |
|--|--|
|  <p>N8 PACKAGE 8-LEAD PDIP S8 PACKAGE 8-LEAD PLASTIC SO</p> <p>$T_{JMAX} = 125^{\circ}C, \theta_{JA} = 100^{\circ}C/W$ (N8) $T_{JMAX} = 150^{\circ}C, \theta_{JA} = 150^{\circ}C/W$ (S8)</p> | ORDER PART NUMBER |
| | LTC490CN8 LTC490CS8 LTC490IN8 LTC490IS8 |
| | S8 PART MARKING |
| | 490 490I |

Consult LTC Marketing for parts specified with wider operating temperature ranges.

DC ELECTRICAL CHARACTERISTICS

The ● denotes the specifications which apply over the full operating temperature range, otherwise specifications are at $T_A = 25^{\circ}C$. $V_{CC} = 5V \pm 5\%$

| SYMBOL | PARAMETER | CONDITIONS | MIN | TYP | MAX | UNITS | |
|-------------------|---|--|----------------|---------|-----------|------------|----|
| V_{OD1} | Differential Driver Output Voltage (Unloaded) | $I_O = 0$ | ● | | 5 | V | |
| V_{OD2} | Differential Driver Output Voltage (with Load) | $R = 50\Omega$ (RS422) | ● | 2 | | V | |
| | | $R = 27\Omega$ (RS485) (Figure 1) | ● | 1.5 | 5 | V | |
| ΔV_{OD} | Change in Magnitude of Driver Differential Output Voltage for Complementary Output States | $R = 27\Omega$ or $R = 50\Omega$ (Figure 1) | ● | | 0.2 | V | |
| V_{OC} | Driver Common Mode Output Voltage | $R = 27\Omega$ or $R = 50\Omega$ (Figure 1) | ● | | 3 | V | |
| $\Delta V_{OC} $ | Change in Magnitude of Driver Common Mode Output Voltage for Complementary Output States | $R = 27\Omega$ or $R = 50\Omega$ (Figure 1) | ● | | 0.2 | V | |
| V_{IH} | Input High Voltage (D) | | ● | 2.0 | | V | |
| V_{IL} | Input Low Voltage (D) | | ● | | 0.8 | V | |
| I_{IN1} | Input Current (D) | | ● | | ± 2 | μA | |
| I_{IN2} | Input Current (A, B) | $V_{CC} = 0V$ or $5.25V$ | $V_{IN} = 12V$ | ● | | 1 | mA |
| | | | $V_{IN} = -7V$ | ● | | -0.8 | mA |
| V_{TH} | Differential Input Threshold Voltage for Receiver | $-7V \leq V_{CM} \leq 12V$ | ● | -0.2 | 0.2 | V | |
| ΔV_{TH} | Receiver Input Hysteresis | $V_{CM} = 0V$ | ● | 70 | | mV | |
| V_{OH} | Receiver Output High Voltage | $I_O = -4mA, V_{ID} = 0.2V$ | ● | 3.5 | | V | |
| V_{OL} | Receiver Output Low Voltage | $I_O = 4mA, V_{ID} = -0.2V$ | ● | | 0.4 | V | |
| I_{OZR} | Three-State Output Current at Receiver | $V_{CC} = \text{Max } 0.4V \leq V_O \leq 2.4V$ | ● | | ± 1 | μA | |
| I_{CC} | Supply Current | No Load; $D = GND$ or V_{CC} | ● | 300 | 500 | μA | |
| R_{IN} | Receiver Input Resistance | $-7V \leq V_O \leq 12V$ | ● | 12 | | k Ω | |
| I_{OSD1} | Driver Short-Circuit Current, $V_{OUT} = \text{High}$ | $V_O = -7V$ | ● | 100 | 250 | mA | |
| I_{OSD2} | Driver Short-Circuit Current, $V_{OUT} = \text{Low}$ | $V_O = 12V$ | ● | 100 | 250 | mA | |
| I_{OSR} | Receiver Short-Circuit Current | $0V \leq V_O \leq V_{CC}$ | ● | 7 | 85 | mA | |
| I_{OZ} | Driver Three-State Output Current | $V_O = -7V$ to $12V$ | ● | ± 2 | ± 200 | μA | |

SWITCHING CHARACTERISTICS

The ● denotes the specifications which apply over the full operating temperature range, otherwise specifications are at $T_A = 25^\circ\text{C}$. $V_{CC} = 5V \pm 5\%$

| SYMBOL | PARAMETER | CONDITIONS | | MIN | TYP | MAX | UNITS |
|------------|--|---|---|-----|-----|-----|-------|
| t_{PLH} | Driver Input to Output | $R_{DIFF} = 54\Omega$, $C_{L1} = C_{L2} = 100\text{pF}$ (Figures 2, 3) | ● | 10 | 30 | 50 | ns |
| t_{PHL} | Driver Input to Output | $R_{DIFF} = 54\Omega$, $C_{L1} = C_{L2} = 100\text{pF}$ (Figures 2, 3) | ● | 10 | 30 | 50 | ns |
| t_{SKEW} | Driver Output to Output | $R_{DIFF} = 54\Omega$, $C_{L1} = C_{L2} = 100\text{pF}$ (Figures 2, 3) | ● | | 5 | | ns |
| t_r, t_f | Driver Rise or Fall Time | $R_{DIFF} = 54\Omega$, $C_{L1} = C_{L2} = 100\text{pF}$ (Figures 2, 3) | ● | 5 | 5 | 25 | ns |
| t_{PLH} | Receiver Input to Output | $R_{DIFF} = 54\Omega$, $C_{L1} = C_{L2} = 100\text{pF}$ (Figures 2, 4) | ● | 40 | 70 | 150 | ns |
| t_{PHL} | Receiver Input to Output | $R_{DIFF} = 54\Omega$, $C_{L1} = C_{L2} = 100\text{pF}$ (Figures 2, 4) | ● | 40 | 70 | 150 | ns |
| t_{SKD} | $ t_{PLH} - t_{PHL} $ Differential Receiver Skew | $R_{DIFF} = 54\Omega$, $C_{L1} = C_{L2} = 100\text{pF}$ (Figures 2, 4) | ● | | 13 | | ns |

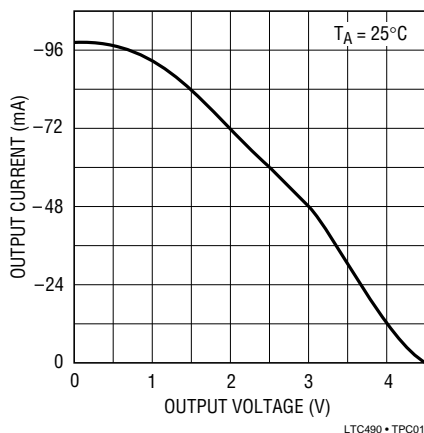
Note 1: Absolute maximum ratings are those beyond which the safety of the device cannot be guaranteed.

Note 3: All typicals are given for $V_{CC} = 5V$ and Temperature = 25°C .

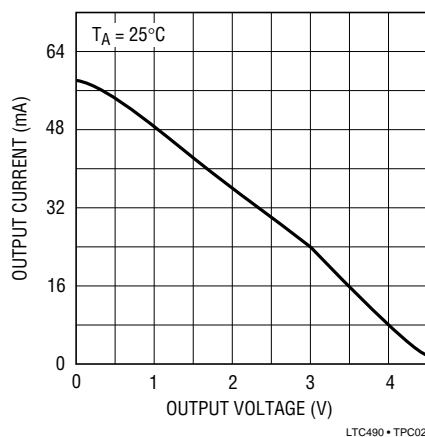
Note 2: All currents into device pins are positive; all currents out of device pins are negative. All voltages are referenced to device ground unless otherwise specified.

TYPICAL PERFORMANCE CHARACTERISTICS

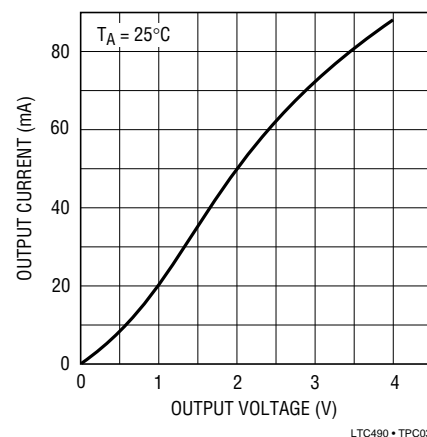
Driver Output High Voltage vs Output Current



Driver Differential Output Voltage vs Output Current

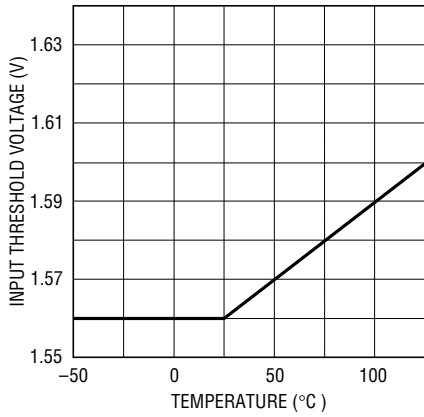


Driver Output Low Voltage vs Output Current



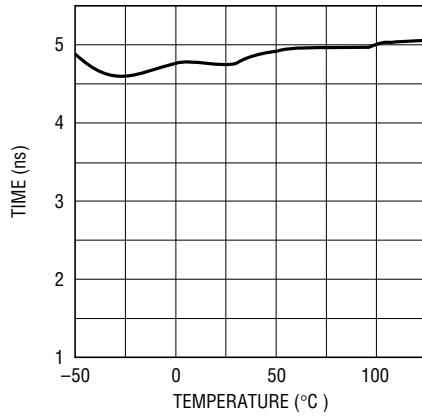
TYPICAL PERFORMANCE CHARACTERISTICS

TTL Input Threshold vs Temperature



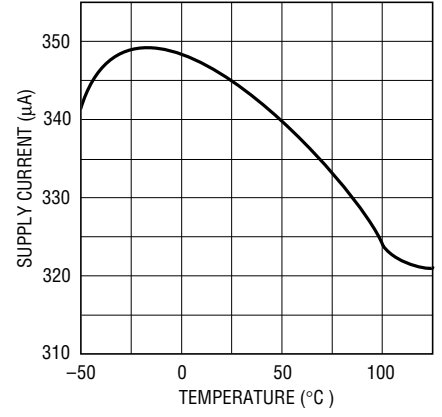
LTC490 • TPC04

Driver Skew vs Temperature



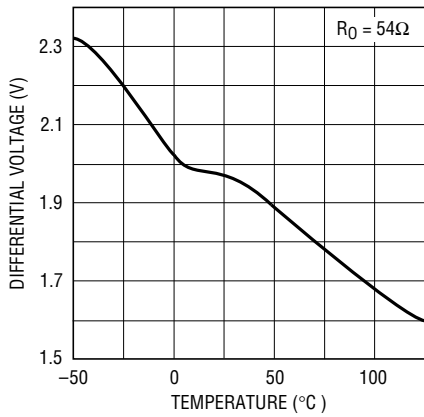
LTC490 • TPC05

Supply Current vs Temperature



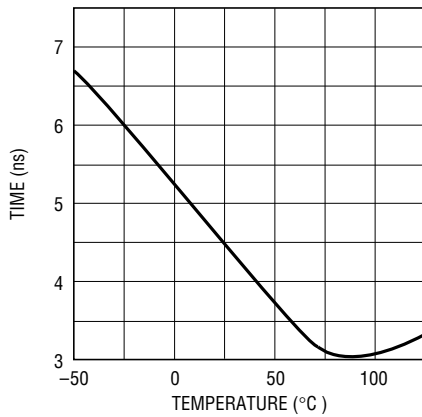
LTC490 • TPC06

Driver Differential Output Voltage vs Temperature



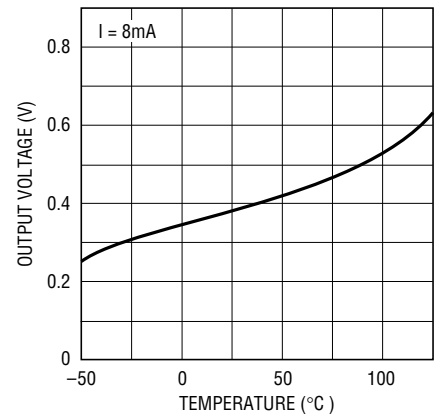
LTC490 • TPC07

Receiver $|t_{PLH} - t_{PHL}|$ vs Temperature



LTC490 • TPC08

Receiver Output Low Voltage vs Temperature



LTC490 • TPC09

PIN FUNCTIONS

V_{CC} (Pin 1): Positive Supply; $4.75V \leq V_{CC} \leq 5.25V$.

R (Pin 2): Receiver Output. If $A > B$ by 200mV, R will be high. If $A < B$ by 200mV, then R will be low.

D (Pin 3): Driver Input. A low on D forces the driver outputs Y low and Z high. A high on D will force Y high and Z low.

GND (Pin 4): Ground Connection.

Y (Pin 5): Driver Output.

Z (Pin 6): Driver Output.

B (Pin 7): Receiver Input.

A (Pin 8): Receiver Input.

TEST CIRCUITS

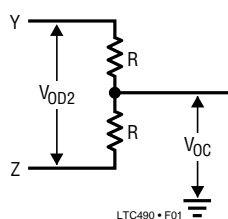


Figure 1. Driver DC Test Load

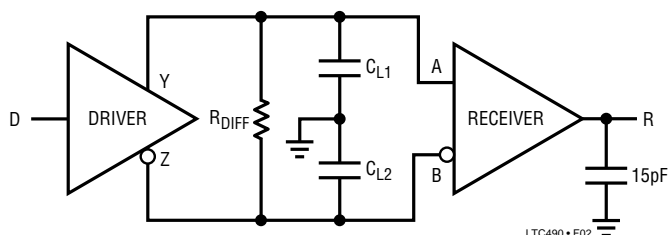


Figure 2. Driver/Receiver Timing Test Circuit

SWITCHING TIME WAVEFORMS

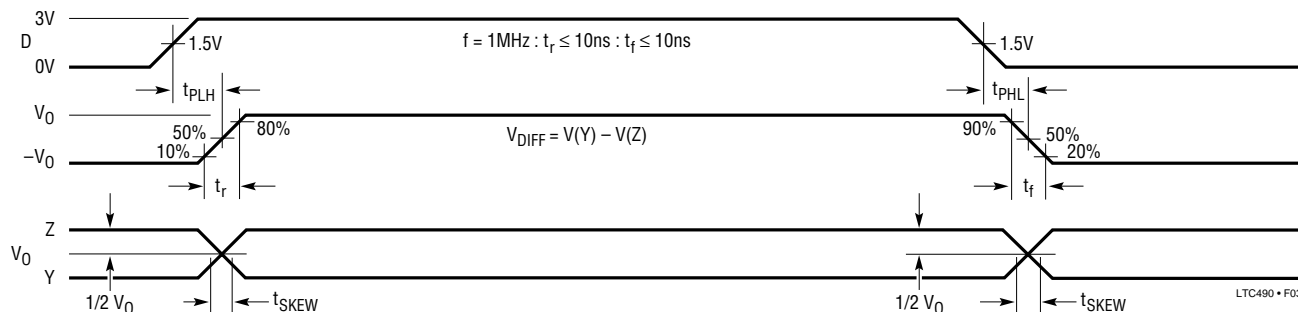


Figure 3. Driver Propagation Delays

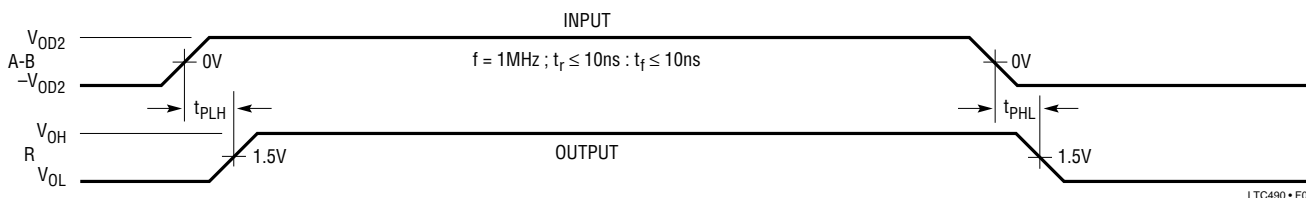


Figure 4. Receiver Propagation Delays

APPLICATIONS INFORMATION

Typical Application

A typical connection of the LTC490 is shown in Figure 5. Two twisted-pair wires connect two driver/receiver pairs for full duplex data transmission. Note that the driver and receiver outputs are always enabled. If the outputs must be disabled, use the LTC491.

There are no restrictions on where the chips are connected, and it isn't necessary to have the chips connected at the ends of the wire. However, the wires must be terminated only at the ends with a resistor equal to their characteristic impedance, typically 120Ω. Because only one driver can be connected on the bus, the cable can be terminated only at the receiving end. The optional shields around the twisted pair help reduce unwanted noise, and are connected to GND at one end.

The LTC490 can also be used as a line repeater as shown in Figure 6. If the cable length is longer than 4000 feet, the LTC490 is inserted in the middle of the cable with the receiver output connected back to the driver input.

Thermal Shutdown

The LTC490 has a thermal shutdown feature which protects the part from excessive power dissipation. If the outputs of the driver are accidentally shorted to a power supply or low impedance, source, up to 250mA can flow

through the part. The thermal shutdown circuit disables the driver outputs when the internal temperature reaches 150°C and turns them back on when the temperature cools to 130°C. If the outputs of two or more LTC490 drivers are shorted directly, the driver outputs can not supply enough current to activate the thermal shutdown. Thus, the thermal shutdown circuit will not prevent contention faults when two drivers are active on the bus at the same time.

Cables and Data Rate

The transmission line of choice for RS485 applications is a twisted pair. There are coaxial cables (twinaxial) made for this purpose that contain straight pairs, but these are

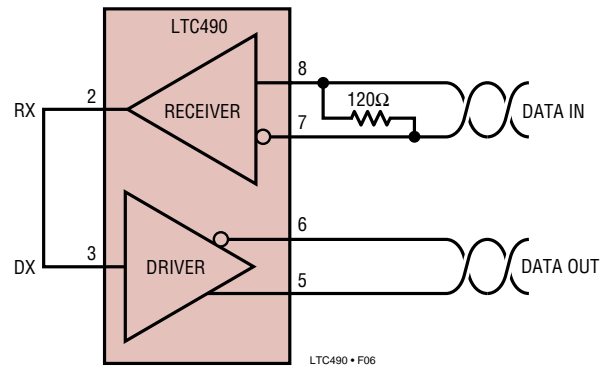


Figure 6. Line Repeater

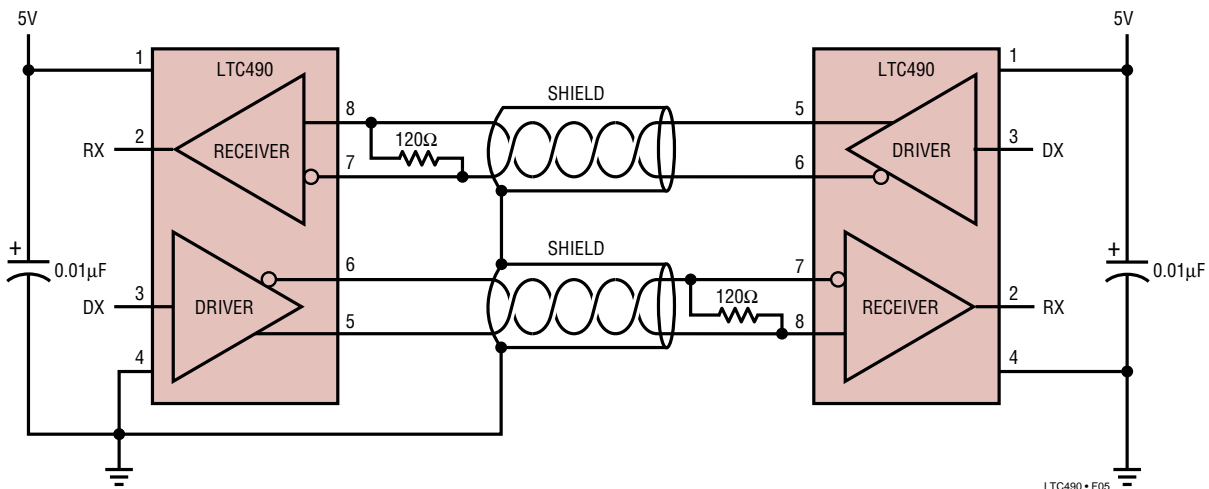


Figure 5. Typical Connection

APPLICATIONS INFORMATION

less flexible, more bulky, and more costly than twisted pairs. Many cable manufacturers offer a broad range of 120Ω cables designed for RS485 applications.

Losses in a transmission line are a complex combination of DC conductor loss, AC losses (skin effect), leakage and AC losses in the dielectric. In good polyethylene cables such as the Belden 9841, the conductor losses and dielectric losses are of the same order of magnitude, leading to relatively low overall loss (Figure 7).

When using low loss cables, Figure 8 can be used as a guideline for choosing the maximum line length for a given data rate. With lower quality PVC cables, the dielectric loss factor can be 1000 times worse. PVC twisted pairs have

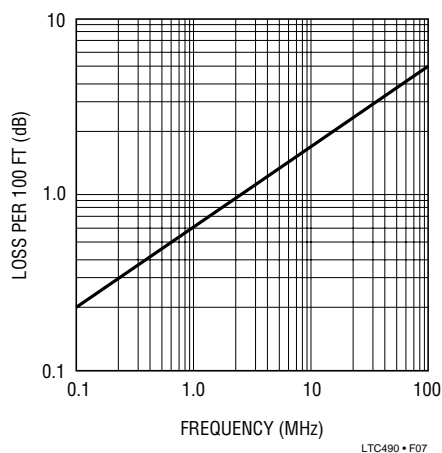


Figure 7. Attenuation vs Frequency for Belden 9841

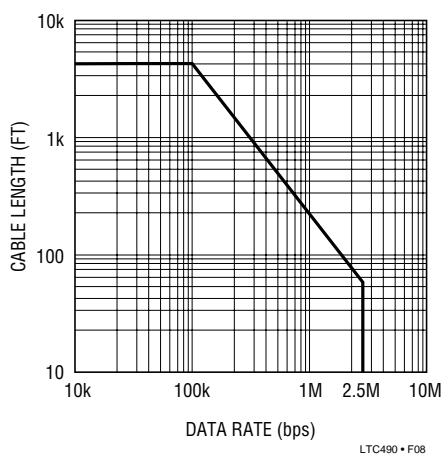


Figure 8. RS485 Cable Length Specification. Applies for 24 Gauge, Polyethylene Dielectric Twisted Pair

terrible losses at high data rates (>100kbs), and greatly reduce the maximum cable length. At low data rates however, they are acceptable and much more economical.

Cable Termination

The proper termination of the cable is very important. If the cable is not terminated with its characteristic impedance, distorted waveforms will result. In severe cases, distorted (false) data and nulls will occur.

A quick look at the output of the driver will tell how well the cable is terminated. It is best to look at a driver connected to the end of the cable, since this eliminates the possibility of getting reflections from two directions. Simply look at the driver output while transmitting square wave data. If the cable is terminated properly, the waveform will look like a square wave (Figure 9). If the cable is loaded excessively (47Ω), the signal initially sees the surge impedance of the cable and jumps to an initial amplitude. The signal travels down the cable and is reflected back out of phase because of the misterminalion. When the reflected signal returns to the driver, the amplitude will be lowered. The width of the pedestal is equal to twice the electrical length of the cable (about 1.5ns/foot). If the

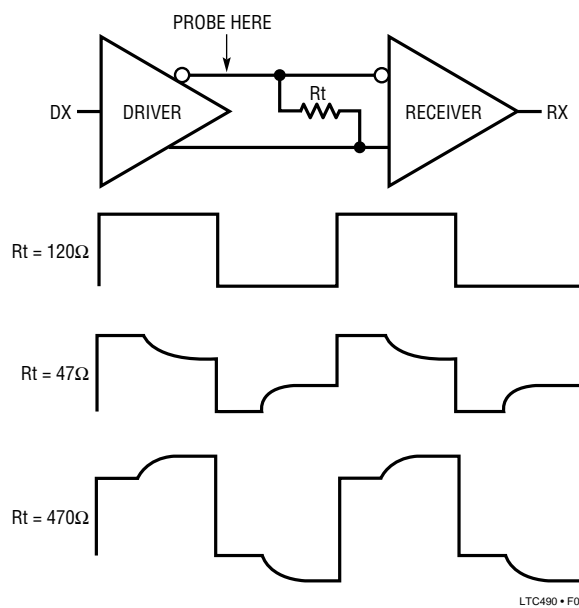


Figure 9. Termination Effects

APPLICATIONS INFORMATION

cable is lightly loaded (470Ω), the signal reflects in phase and increases the amplitude at the driver output. An input frequency of 30kHz is adequate for tests out to 4000 feet of cable.

AC Cable Termination

Cable termination resistors are necessary to prevent unwanted reflections, but they consume power. The typical differential output voltage of the driver is 2V when the cable is terminated with two 120Ω resistors, causing 33mA of DC current to flow in the cable when no data is being sent. This DC current is about 60 times greater than the supply current of the LTC490. One way to eliminate the unwanted current is by AC coupling the termination resistors as shown in Figure 10.

The coupling capacitor must allow high frequency energy to flow to the termination, but block DC and low frequencies. The dividing line between high and low frequency depends on the length of the cable. The coupling capacitor must pass frequencies above the point where the line represents an electrical one-tenth wavelength. The value of the coupling capacitor should therefore be set at 16.3pF per foot of cable length for 120Ω cables.

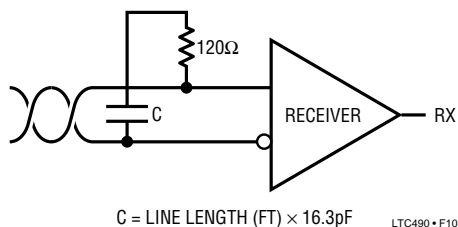


Figure 10. AC Coupled Termination

With the coupling capacitors in place, power is consumed only on the signal edges, and not when the driver output is idling at a 1 or 0 state. A 100nF capacitor is adequate for lines up to 4000 feet in length. Be aware that the power savings start to decrease once the data rate surpasses $1/(120\Omega \times C)$.

Fault Protection

All of LTC's RS485 products are protected against ESD transients up to 2kV using the human body model (100pF, 1.5k Ω). However, some applications need more protection. The best protection method is to connect a bidirectional TransZorb[®] from each line side pin to ground (Figure 11). A TransZorb is a silicon transient voltage suppressor that has exceptional surge handling capabilities, fast response time, and low series resistance. They are available from General Instruments, GSI and come in a variety of breakdown voltages and prices. Be sure to pick a breakdown voltage higher than the common mode voltage required for your application (typically 12V). Also, don't forget to check how much the added parasitic capacitance will load down the bus.

TransZorb is a registered trademark of General Instruments, GSI

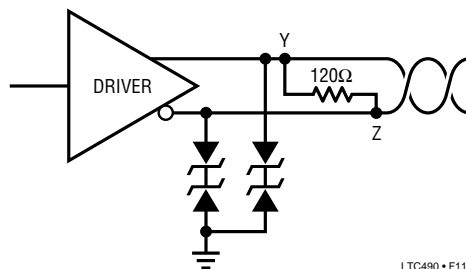
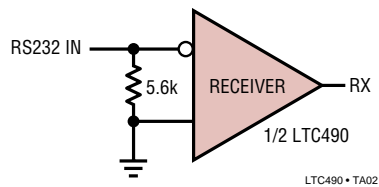


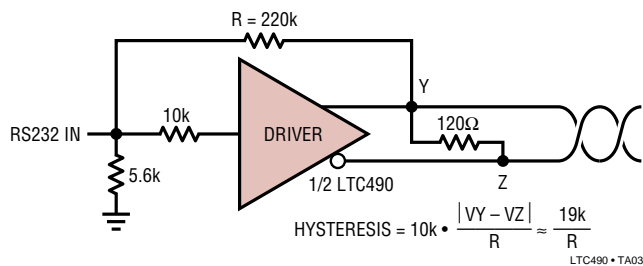
Figure 11. ESD Protection with TransZorbs

TYPICAL APPLICATIONS

RS232 Receiver

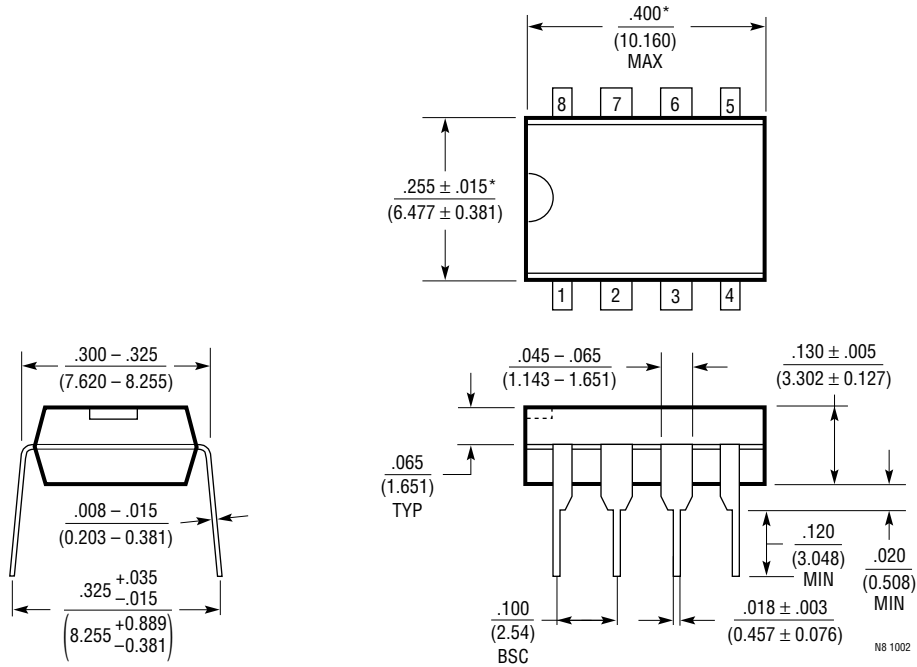


RS232 to RS485 Level Transistor with Hysteresis



PACKAGE DESCRIPTION

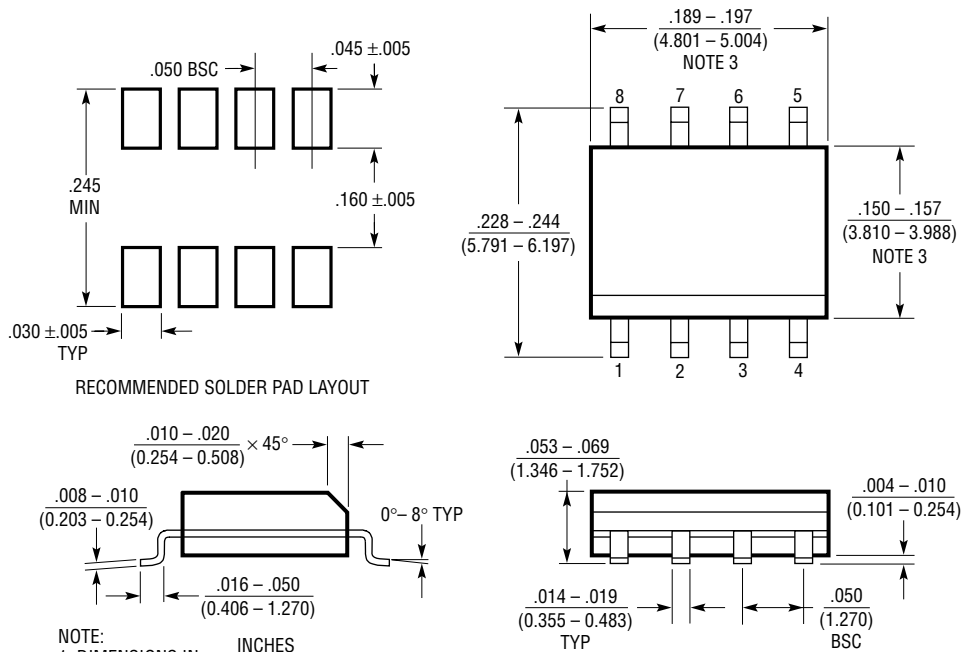
N8 Package
8-Lead PDIP (Narrow .300 Inch)
 (Reference LTC DWG # 05-08-1510)



NOTE:
 1. DIMENSIONS ARE $\frac{\text{INCHES}}{\text{MILLIMETERS}}$
 *THESE DIMENSIONS DO NOT INCLUDE MOLD FLASH OR PROTRUSIONS.
 MOLD FLASH OR PROTRUSIONS SHALL NOT EXCEED .010 INCH (0.254mm)

PACKAGE DESCRIPTION

S8 Package 8-Lead Plastic Small Outline (Narrow .150 Inch) (Reference LTC DWG # 05-08-1610)



- NOTE:
 1. DIMENSIONS IN $\frac{\text{INCHES}}{\text{(MILLIMETERS)}}$
 2. DRAWING NOT TO SCALE
 3. THESE DIMENSIONS DO NOT INCLUDE MOLD FLASH OR PROTRUSIONS.
 MOLD FLASH OR PROTRUSIONS SHALL NOT EXCEED .006" (0.15mm)

S08 0303

RELATED PARTS

| PART NUMBER | DESCRIPTION | COMMENTS |
|-----------------|--|--|
| LTC486/LTC487 | Low Power Quad RS485 Drivers | 110 μ A Supply Current |
| LTC488/LTC489 | Low Power Quad RS485 Receivers | 7mA Supply Current |
| LTC1480 | 3.3V Supply RS485 Transceiver | Lower Supply Voltage |
| LTC1481 | Low Power RS485 Transceiver with Shutdown | Lowest Power |
| LTC1482 | RS485 Transceiver with Carrier Detect | \pm 15kV ESD, Fail-Safe |
| LTC1483 | Low Power, Low EMI RS485 Transceiver | Slew Rate Limited Driver Outputs, Lowest Power |
| LTC1484 | RS485 Transceiver with Fail-Safe | \pm 15kV ESD, MSOP Package |
| LTC1485 | 10Mbps RS485 Transceiver | High Speed |
| LTC1518/LTC1519 | 52Mbps Quad RS485 Receivers | Higher Speed, LTC488/LTC489 Pin-Compatible |
| LTC1520 | LVDS-Compatible Quad Receiver | 100mV Threshold, Low Channel-to-Channel Skew |
| LTC1535 | 2500V Isolated RS485 Transceiver | Full-Duplex, Self-Powered Using External Transformer |
| LTC1685 | 52Mbps RS485 Transceiver | Industry-Standard Pinout, 500ps Propagation Delay Skew |
| LTC1686/LTC1687 | 52Mbps Full-Duplex RS485 Transceiver | LTC490/LTC491 Pin Compatible |
| LTC1688/LTC1689 | 100Mbps Quad RS485 Drivers | Highest Speed, LTC486/LTC487 Pin Compatible |
| LTC1690 | Full-Duplex RS485 Transceiver with Fail-Safe | \pm 15kV ESD, LTC490 Pin Compatible |
| LT1785/LTC1785A | \pm 60V Protected RS485 Transceivers | \pm 15kV ESD, Fail-Safe (LT1785A) |
| LT1791/LTC1791A | \pm 60V Protected Full-Duplex RS485 Transceivers | \pm 15kV ESD, Fail-Safe (LT1791A), LTC491 Pin Compatible |

Looking for pricing, stock, or lifecycle information?

Click below to explore more details on WIN SOURCE:

 [View LTC490IS8#TRPBF on WIN SOURCE](#)

 [Linear Technology](#) Information

Optimize Your Supply Chain with WIN SOURCE Solutions

-  Global Sourcing Solution
-  Obsolete Management
-  Cost Control Management
-  Shortage Management
-  Alternative Solution
-  Excess Inventory Management