

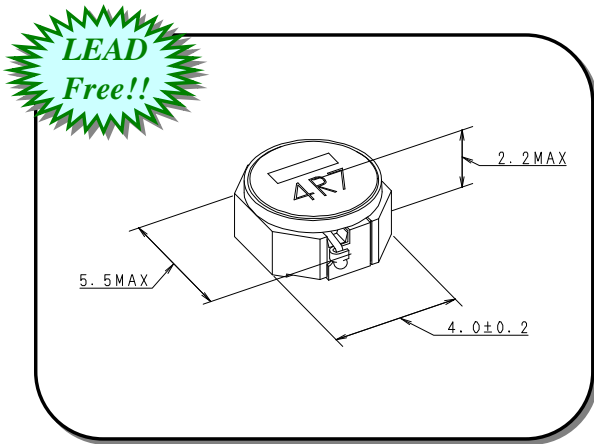


**THE DATASHEET OF
LTF4022T-1R2N-D**



LTF 4022-D Series SMD Power Inductor

Component Image Fig



Unit:mm

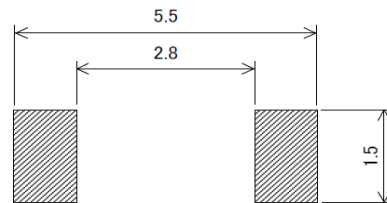
Feature

- a) Miniature Size :
Mount Area : 4.0mm x 4.0mm
Low Profile : 2.2mm Max. Height
- b) Generic use for portable DC/DC Converter Line.
- c) Low Profile as a 2.2mm Height.
- d) High Rated DC Current.
- e) This Product is not used any of the LEAD Materials.
- f) Ferrite shielded component.
- g) Automatic Mounting in Tape & Reel Package.
- h) Qualified acc. AEC-Q200

Applications :

Automotive

Recommended Land Pattern



Electrical Specification

TDK Identification	Inductance[μ H]		Test Freq. (MHz)	DC Resistance[ohm]		Rated DC Current[A]	
		Tol. (%)		Spec. (max.)	(Typ.)	Idc 1 (max.)	Idc 2 (Typ.)
LTF4022T- 1R2N-D	1.2	+/-30%	1	0.028	0.023	2.8	3.3
LTF4022T- 1R8N-D	1.8	+/-30%	1	0.034	0.028	2.4	3.0
LTF4022T- 2R2N-D	2.2	+/-30%	1	0.041	0.036	2.0	2.6
LTF4022T- 3R3N-D	3.3	+/-30%	1	0.064	0.056	1.6	2.1
LTF4022T- 4R7N-D	4.7	+/-30%	1	0.090	0.077	1.3	1.8
LTF4022T- 5R6N-D	5.6	+/-30%	1	0.11	0.093	1.2	1.6
LTF4022T- 6R8N-D	6.8	+/-30%	1	0.14	0.11	1.1	1.5
LTF4022T- 100M-D	10	+/-20%	1	0.19	0.16	0.95	1.2
LTF4022T- 150M-D	15	+/-20%	1	0.26	0.22	0.76	1.0
LTF4022T- 220M-D	22	+/-20%	1	0.37	0.32	0.66	0.88
LTF4022T- 330M-D	33	+/-20%	1	0.56	0.48	0.52	0.72
LTF4022T- 470M-D	47	+/-20%	1	0.76	0.66	0.46	0.59
LTF4022T- 560M-D	56	+/-20%	1	0.87	0.75	0.41	0.56



Note) Idc 1 : Depend on the Inductance Saturation. (-30% Reduction from Nominal L Value)

Idc 2 : Depend on the Self Temperature Rise (40 deg.C Typ.)

Operating Temperature Range : -40deg. C ~ +150deg.C (including Self Temp. Rise)

Looking for pricing, stock, or lifecycle information?

Click below to explore more details on WIN SOURCE:

-  [View LTF4022T-1R2N-D on WIN SOURCE](#)
-  [TDK Corporation Information](#)

Optimize Your Supply Chain with WIN SOURCE Solutions

-  Global Sourcing Solution
-  Obsolete Management
-  Cost Control Management
-  Shortage Management
-  Alternative Solution
-  Excess Inventory Management