



**THE DATASHEET OF
M29W128GL70N6F TR**



Parallel NOR Flash Embedded Memory

M29W128GH, M29W128GL

Features

- Supply voltage
 - $V_{CC} = 2.7\text{--}3.6\text{V}$ (program, erase, read)
 - $V_{CCQ} = 1.65\text{--}3.6\text{V}$ (I/O buffers)
 - $V_{PPH} = 12\text{V}$ for fast program (optional)
 - Asynchronous random/page read
 - Page size: 8 words or 16 bytes
 - Page access: 25, 30ns
 - Random access: 60ns¹, 70, 80ns
 - Fast program commands: 32-word (64-byte) write buffer
 - Enhanced buffered program commands: 256-word
 - Program time
 - 16 μs per byte/word TYP
 - Chip program time: 5s with V_{PPH} and 8s without V_{PPH}
 - Memory organization
 - Uniform blocks: 128 main blocks, 128-Kbytes or 64-Kwords each
 - Program/erase controller
 - Embedded byte/word program algorithms
 - Program/erase suspend and resume capability
 - Read from any block during a PROGRAM SUSPEND operation
 - Read or program another block during an ERASE SUSPEND operation
 - Unlock bypass, block erase, chip erase, write to buffer, enhanced buffer program commands
 - Fast buffered/batch programming
 - Fast block/chip erase
 - $V_{PP}/WP\#$ pin protection
 - Protects first or last block regardless of block protection settings
 - Software protection
 - Volatile protection
 - Nonvolatile protection
 - Password protection
 - Extended memory block
 - 128-word (256-byte) memory block for permanent, secure identification
 - Common flash interface
 - 64-bit security code
 - Low power consumption: Standby and automatic mode
 - Minimum 100,00 PROGRAM/ERASE cycles per block
 - RoHS compliant packages
 - 56-pin TSOP (N) 14mm x 20mm
 - 64-ball TBGA (ZA) 10mm x 13mm
 - 64-ball FBGA (ZS) 11mm x 13mm
 - Electronic signature
 - Manufacturer code: 0020h
 - M29W128GH uniform, last block protected by $V_{PP}/WP\#$: 227Eh + 2221h + 2201h
 - M29W128GL uniform, first block protected by $V_{PP}/WP\#$: 227Eh + 2221h + 2200h
 - Automotive device grade temperature
 - -40°C to $+125^{\circ}\text{C}$ (automotive grade certified)
- Note: 1. The 60ns device is available upon customer request.

Part Numbering Information

Available with extended memory block prelocked by Micron. Devices are shipped from the factory with memory content bits erased to 1. For available options, such as packages or high/low protection, or for further information, contact your Micron sales representative. Part numbers can be verified at www.micron.com. Feature and specification comparison by device type is available at www.micron.com/products. Contact the factory for devices not found.

Table 1: Part Number Information

Part Number Category	Category Details	Notes
Device type	M29	
Operating voltage	$W = V_{CC} = 2.7\text{--}3.6\text{V}$	
Device function	128GH = 128Mb (x8/x16) page, uniform block Flash memory, highest block protected by $V_{PP}/WP\#$	
	128GL = 128Mb (x8/x16) page, uniform block Flash memory, lowest block protected by $V_{PP}/WP\#$	
Speed	70 = 70ns	1
	60 = 60ns	1, 2
	7A = 70ns	1, 3
Package	N = 56-pin TSOP, 14mm x 20mm	
	ZA = 64-ball TBGA, 10mm x 13mm, 1mm pitch	
	ZS = 64-ball Fortified BGA, 11mm x 13mm, 1mm pitch	
Temperature range	1 = 0 to 70°C	
	6 = -40°C to +85°C (IT)	
	3 = -40°C to +125°C (IT)	
Shipping options	E = RoHS-compliant package, standard packing	
	F = RoHS-compliant package, tape and reel packing	

- Notes:
1. 80ns if $V_{CCQ} = 1.65\text{V}$ to V_{CC} .
 2. The 60ns device is available upon customer request.
 3. Automotive qualified, available only with option 6. Qualified and characterized according to AEC Q100 and Q003 or equivalent; advanced screening according to AEC Q001 and Q002 or equivalent.



Contents

Important Notes and Warnings	7
General Description	7
Signal Assignments	9
Signal Descriptions	11
Memory Organization	12
Uniform Block Memory Map – 128Mb Density	12
Bus Operations	13
Read	13
Write	13
Standby and Automatic Standby	13
Output Disable	14
Reset	14
Status Register	15
Lock Register	20
Standard Command Definitions – Address-Data Cycles	23
READ Operations	25
READ/RESET Command	25
READ CFI Command	25
AUTO SELECT Operations	26
AUTO SELECT Command	26
Bypass Operations	29
UNLOCK BYPASS Command	29
UNLOCK BYPASS RESET Command	29
Program Operations	30
PROGRAM Command	30
UNLOCK BYPASS PROGRAM Command	30
WRITE TO BUFFER PROGRAM Command	30
UNLOCK BYPASS WRITE TO BUFFER PROGRAM Command	33
WRITE TO BUFFER PROGRAM CONFIRM Command	33
BUFFERED PROGRAM ABORT AND RESET Command	33
PROGRAM SUSPEND Command	33
PROGRAM RESUME Command	34
ENHANCED BUFFERED PROGRAM Command	34
UNLOCK BYPASS ENHANCED BUFFERED PROGRAM Command	35
ENHANCED BUFFERED PROGRAM CONFIRM Command	35
Erase Operations	38
CHIP ERASE Command	38
UNLOCK BYPASS CHIP ERASE Command	38
BLOCK ERASE Command	38
UNLOCK BYPASS BLOCK ERASE Command	39
ERASE SUSPEND Command	39
ERASE RESUME Command	40
Block Protection Command Definitions – Address-Data Cycles	41
Protection Operations	44
LOCK REGISTER Commands	44
PASSWORD PROTECTION Commands	44
NONVOLATILE PROTECTION Commands	44
NONVOLATILE PROTECTION BIT LOCK BIT Commands	46
VOLATILE PROTECTION Commands	46
EXTENDED MEMORY BLOCK Commands	46



128Mb 3V Embedded Parallel NOR Flash Features

EXIT PROTECTION Command	47
Device Protection	48
Hardware Protection	48
Software Protection	48
Volatile Protection Mode	49
Nonvolatile Protection Mode	49
Password Protection Mode	50
Common Flash Interface	51
Power-Up and Reset Characteristics	55
Absolute Ratings and Operating Conditions	58
DC Characteristics	60
Read AC Characteristics	62
Write AC Characteristics	65
Accelerated Program, Data Polling/Toggle AC Characteristics	72
Program/Erase Characteristics	74
Package Dimensions	75
Revision History	78
Rev. C – 05/18	78
Rev. B – 05/15	78
Rev. A – 07/13	78

List of Figures

Figure 1: 128 Logic Diagram	8
Figure 2: 56-Pin TSOP (Top View)	9
Figure 3: 64-Ball Fortified BGA and 64-Ball TBGA	10
Figure 4: Data Polling Flowchart	17
Figure 5: Toggle Bit Flowchart	18
Figure 6: Status Register Polling Flowchart	19
Figure 7: Lock Register Program Flowchart	21
Figure 8: WRITE TO BUFFER PROGRAM Flowchart	32
Figure 9: ENHANCED BUFFERED PROGRAM Flowchart	36
Figure 10: Program/Erase Nonvolatile Protection Bit Algorithm	45
Figure 11: Software Protection Scheme	50
Figure 12: Power-Up Timing	55
Figure 13: Reset AC Timing – No PROGRAM/ERASE Operation in Progress	56
Figure 14: Reset AC Timing During PROGRAM/ERASE Operation	57
Figure 15: AC Measurement Load Circuit	59
Figure 16: AC Measurement I/O Waveform	59
Figure 17: Random Read AC Timing (8-Bit Mode)	63
Figure 18: Random Read AC Timing (16-Bit Mode)	63
Figure 19: BYTE Transition AC Timing	64
Figure 20: Page Read AC Timing (16-Bit Mode)	64
Figure 21: WE#-Controlled Program AC Timing (8-Bit Mode)	66
Figure 22: WE#-Controlled Program AC Timing (16-Bit Mode)	67
Figure 23: CE#-Controlled Program AC Timing (8-Bit Mode)	69
Figure 24: CE#-Controlled Program AC Timing (16-Bit Mode)	70
Figure 25: Chip/Block Erase AC Timing (8-Bit Mode)	71
Figure 26: Accelerated Program AC Timing	72
Figure 27: Data Polling AC Timing	73
Figure 28: Toggle/Alternative Toggle Bit Polling AC Timing (8-Bit Mode)	73
Figure 29: 56-Pin TSOP – 14mm x 20mm	75
Figure 30: 64-Ball TBGA – 10mm x 13mm	76
Figure 31: 64-Ball FBGA – 11mm x 13mm	77

List of Tables

Table 1: Part Number Information	2
Table 2: Signal Descriptions	11
Table 3: x8 and x16 Blocks[127:0]	12
Table 4: Bus Operations	13
Table 5: Status Register Bit Definitions	15
Table 6: Operations and Corresponding Bit Settings	16
Table 7: Lock Register Bit Definitions	20
Table 8: Block Protection Status	20
Table 9: Standard Command Definitions – Address-Data Cycles, 8-Bit and 16-Bit	23
Table 10: Read Electronic Signature	26
Table 11: Block Protection	28
Table 12: Block Protection Command Definitions – Address-Data Cycles, 8-Bit and 16-Bit	41
Table 13: Extended Memory Block Address and Data	46
Table 14: V _{pp} /WP# Functions	48
Table 15: Query Structure Overview	51
Table 16: CFI Query Identification String	51
Table 17: CFI Query System Interface Information	52
Table 18: Device Geometry Definition	52
Table 19: Primary Algorithm-Specific Extended Query Table	53
Table 20: Security Code Area	54
Table 21: Power-Up Wait Timing Specifications	55
Table 22: Reset AC Characteristics	56
Table 23: Absolute Maximum/Minimum Ratings	58
Table 24: Operating and AC Measurement Conditions	58
Table 25: Input/Output Capacitance	59
Table 26: DC Current Characteristics	60
Table 27: DC Voltage Characteristics	61
Table 28: Read AC Characteristics	62
Table 29: WE#-Controlled Write AC Characteristics	65
Table 30: CE#-Controlled Write AC Characteristics	68
Table 31: Accelerated Program and Data Polling/Data Toggle AC Characteristics	72
Table 32: Program/Erase Characteristics	74

Important Notes and Warnings

Micron Technology, Inc. ("Micron") reserves the right to make changes to information published in this document, including without limitation specifications and product descriptions. This document supersedes and replaces all information supplied prior to the publication hereof. You may not rely on any information set forth in this document if you obtain the product described herein from any unauthorized distributor or other source not authorized by Micron.

Automotive Applications. Products are not designed or intended for use in automotive applications unless specifically designated by Micron as automotive-grade by their respective data sheets. Distributor and customer/distributor shall assume the sole risk and liability for and shall indemnify and hold Micron harmless against all claims, costs, damages, and expenses and reasonable attorneys' fees arising out of, directly or indirectly, any claim of product liability, personal injury, death, or property damage resulting directly or indirectly from any use of non-automotive-grade products in automotive applications. Customer/distributor shall ensure that the terms and conditions of sale between customer/distributor and any customer of distributor/customer (1) state that Micron products are not designed or intended for use in automotive applications unless specifically designated by Micron as automotive-grade by their respective data sheets and (2) require such customer of distributor/customer to indemnify and hold Micron harmless against all claims, costs, damages, and expenses and reasonable attorneys' fees arising out of, directly or indirectly, any claim of product liability, personal injury, death, or property damage resulting from any use of non-automotive-grade products in automotive applications.

Critical Applications. Products are not authorized for use in applications in which failure of the Micron component could result, directly or indirectly in death, personal injury, or severe property or environmental damage ("Critical Applications"). Customer must protect against death, personal injury, and severe property and environmental damage by incorporating safety design measures into customer's applications to ensure that failure of the Micron component will not result in such harms. Should customer or distributor purchase, use, or sell any Micron component for any critical application, customer and distributor shall indemnify and hold harmless Micron and its subsidiaries, subcontractors, and affiliates and the directors, officers, and employees of each against all claims, costs, damages, and expenses and reasonable attorneys' fees arising out of, directly or indirectly, any claim of product liability, personal injury, or death arising in any way out of such critical application, whether or not Micron or its subsidiaries, subcontractors, or affiliates were negligent in the design, manufacture, or warning of the Micron product.

Customer Responsibility. Customers are responsible for the design, manufacture, and operation of their systems, applications, and products using Micron products. ALL SEMICONDUCTOR PRODUCTS HAVE INHERENT FAILURE RATES AND LIMITED USEFUL LIVES. IT IS THE CUSTOMER'S SOLE RESPONSIBILITY TO DETERMINE WHETHER THE MICRON PRODUCT IS SUITABLE AND FIT FOR THE CUSTOMER'S SYSTEM, APPLICATION, OR PRODUCT. Customers must ensure that adequate design, manufacturing, and operating safeguards are included in customer's applications and products to eliminate the risk that personal injury, death, or severe property or environmental damages will result from failure of any semiconductor component.

Limited Warranty. In no event shall Micron be liable for any indirect, incidental, punitive, special or consequential damages (including without limitation lost profits, lost savings, business interruption, costs related to the removal or replacement of any products or rework charges) whether or not such damages are based on tort, warranty, breach of contract or other legal theory, unless explicitly stated in a written agreement executed by Micron's duly authorized representative.

General Description

The M29W is an asynchronous, uniform block, parallel NOR Flash memory device manufactured on 90nm single-level cell (SLC) technology. READ, ERASE, and PROGRAM operations are performed using a single low-voltage supply. Upon power-up, the device defaults to read array mode.

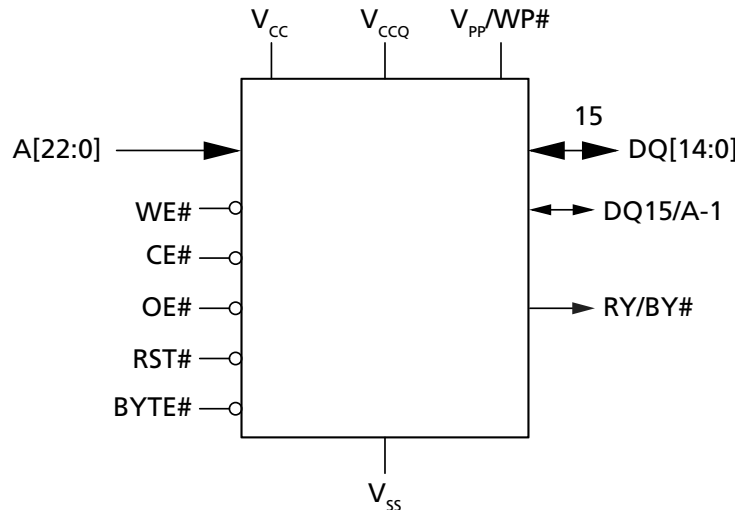
The main memory array is divided into uniform blocks that can be erased independently so that valid data can be preserved while old data is purged. PROGRAM and ERASE commands are written to the command interface of the memory. An on-chip program/erase controller simplifies the process of programming or erasing the memory by taking care of all special operations required to update the memory contents. The end of a PROGRAM or ERASE operation can be detected and any error condition can be identified. The command set required to control the device is consistent with JEDEC standards.

CE#, OE#, and WE# control the bus operation of the device and enable a simple connection to most microprocessors, often without additional logic.

The M29W supports asynchronous random read and page read from all blocks of the array. It features a write to buffer program capability that improves throughput by programming a buffer of 32 words in one command sequence. Also, in x16 mode, the enhanced buffered program capability improves throughput by programming 256 words in one command sequence. The device $V_{PP}/WP\#$ signal enables faster programming.

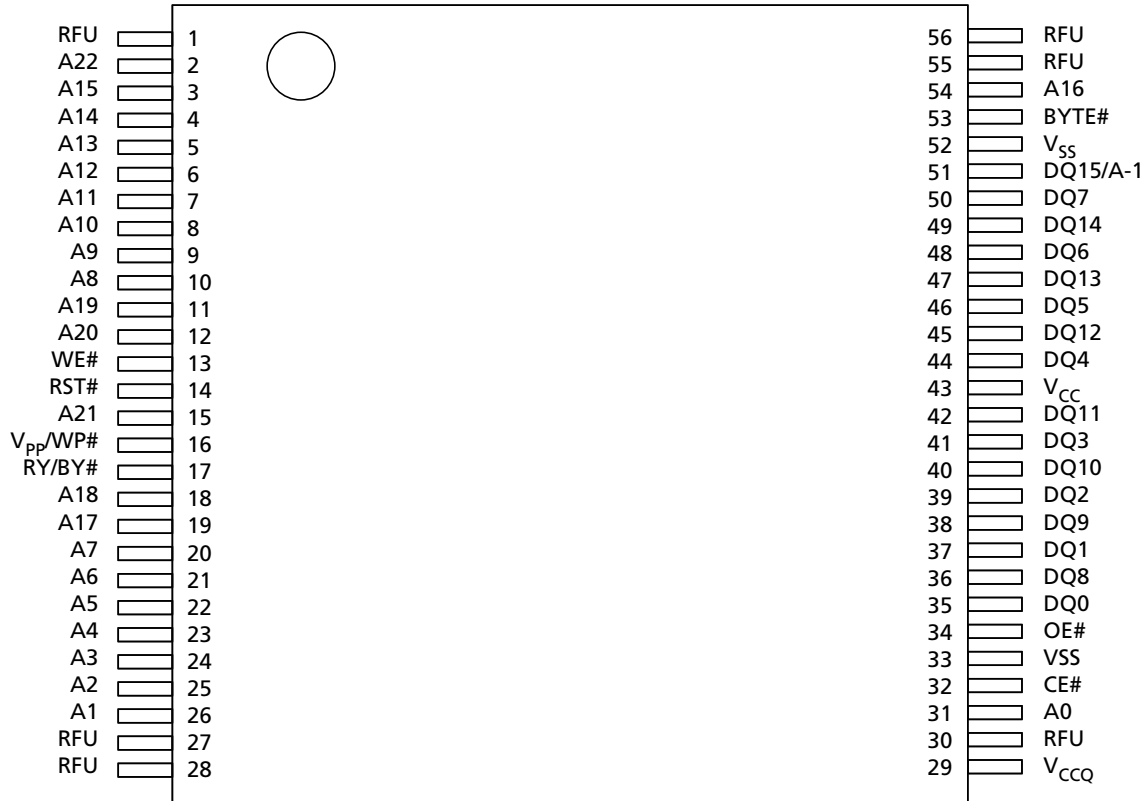
The device contains a 128-word (x16) and 256-byte (x8) extended memory block. The user can program this additional space and then protect it to permanently secure the contents. The device also features different levels of hardware and software protection to secure blocks from unwanted modification.

Figure 1: 128 Logic Diagram



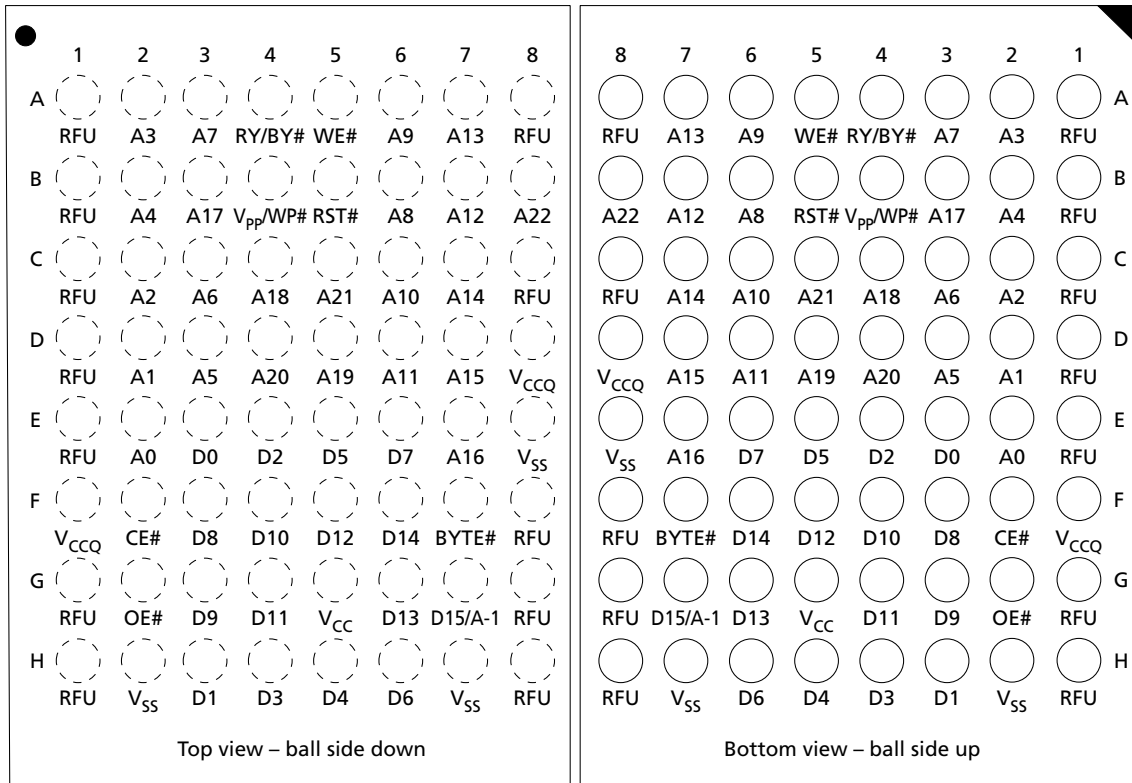
Signal Assignments

Figure 2: 56-Pin TSOP (Top View)



- Notes:
1. A22 = A[*MAX*].
 2. A-1 is the least significant address bit in x8 mode.

Figure 3: 64-Ball Fortified BGA and 64-Ball TBGA



- Notes: 1. A[22] = A[MAX].
 2. A-1 is the least significant address bit in x8 mode.

Signal Descriptions

The signal description table below is a comprehensive list of signals for this device family. All signals listed may not be supported on this device. See Signal Assignments for information specific to this device.

Table 2: Signal Descriptions

Name	Type	Description
A[MAX:0]	Input	Address: Selects the cells in the array to access during READ operations. During WRITE operations, they control the commands sent to the command interface of the program/erase controller.
CE#	Input	Chip enable: Activates the device, enabling READ and WRITE operations to be performed. When CE# is HIGH, the device goes to standby and data outputs are at HIGH-Z.
OE#	Input	Output enable: Controls the bus READ operation.
WE#	Input	Write enable: Controls the bus WRITE operation of the command interface.
V _{pp} /WP#	Input	V_{pp}/Write Protect: Provides WRITE PROTECT function and V _{ppH} function. These functions protect the lowest or highest block and enable the device to enter unlock bypass mode, respectively. (Refer to Hardware Protection and Bypass Operations for details.)
BYTE#	Input	Byte/word organization select: Switches between x8 and x16 bus modes. When BYTE# is LOW, the device is in x8 mode; when HIGH, the device is in x16 mode.
RST#	Input	Reset: Applies a hardware reset to the device, which is achieved by holding RST# LOW for at least ^t PLPX. After RST# goes HIGH, the device is ready for READ and WRITE operations (after ^t PHL or ^t RHEL, whichever occurs last). See RESET AC Specifications for more details.
DQ[7:0]	I/O	Data I/O: Outputs the data stored at the selected address during a READ operation. During WRITE operations, they represent the commands sent to the command interface of the internal state machine.
DQ[14:8]	I/O	Data I/O: Outputs the data stored at the selected address during a READ operation when BYTE# is HIGH. When BYTE# is LOW, these pins are not used and are High-Z. During WRITE operations, these bits are not used. When reading the status register, these bits should be ignored.
DQ15/A-1	I/O	Data I/O or address input: When the device operates in x16 bus mode, this pin behaves as data I/O, together with DQ[14:8]. When the device operates in x8 bus mode, this pin behaves as the least significant bit of the address. Except where stated explicitly otherwise, DQ15 = data I/O (x16 mode); A-1 = address input (x8 mode).
RY/BY#	Output	Ready busy: Open-drain output that can be used to identify when the device is performing a PROGRAM or ERASE operation. During PROGRAM or ERASE operations, RY/BY# is LOW, and is High-Z during read mode, auto select mode, and erase suspend mode. After a hardware reset, READ and WRITE operations cannot begin until RY/BY# goes High-Z (see RESET AC Specifications for more details). The use of an open-drain output enables the RY/BY# pins from several devices to be connected to a single pull-up resistor to V _{CCQ} . A low value will then indicate that one (or more) of the devices is (are) busy. A 10K Ohm or bigger resistor is recommended as pull-up resistor to achieve 0.1V V _{OL} .

Table 2: Signal Descriptions (Continued)

Name	Type	Description
V _{CC}	Supply	<p>Supply voltage: Provides the power supply for READ, PROGRAM, and ERASE operations. The command interface is disabled when V_{CC} ≤ V_{LKO}. This prevents WRITE operations from accidentally damaging the data during power-up, power-down, and power surges. If the program/erase controller is programming or erasing during this time, then the operation aborts and the contents being altered will be invalid.</p> <p>A 0.1µF capacitor should be connected between V_{CC} and V_{SS} to decouple the current surges from the power supply. The PCB track widths must be sufficient to carry the currents required during PROGRAM and ERASE operations (see DC Characteristics).</p>
V _{CCQ}	Supply	I/O supply voltage: Provides the power supply to the I/O pins and enables all outputs to be powered independently from V _{CC} .
V _{SS}	Supply	Ground: All V _{SS} pins must be connected to the system ground.
RFU	–	Reserved for future use: RFUs should be not connected.

Memory Organization

Uniform Block Memory Map – 128Mb Density

Table 3: x8 and x16 Blocks[127:0]

Block	Block Size	Address Range (x8)		Block Size	Address Range (x16)	
		Start	End		Start	End
127	128KB	0FE 0000h	0FF FFFFh	64KW	07F 0000h	07F FFFFh
⋮		⋮	⋮		⋮	⋮
63		07E 0000h	07F FFFFh		03F 0000h	03F FFFFh
⋮		⋮	⋮		⋮	⋮
0		000 0000h	001 FFFFh		000 0000h	000 FFFFh

Note: 1. The main memory array is divided into 128KB or 64KW uniform blocks.

Bus Operations

Table 4: Bus Operations

Notes 1 and 2 apply to entire table

Operation	CE#	OE#	WE#	RST#	V _{pp} /WP#	8-Bit Mode			16-Bit Mode	
						A[MAX:0], DQ15/A-1	DQ[14:8]	DQ[7:0]	A[MAX:0]	DQ15/A-1, DQ[14:0]
READ	L	L	H	H	X	Cell address	High-Z	Data output	Cell address	Data output
WRITE	L	H	L	H	X ³	Command address	High-Z	Data input ⁴	Command address	Data input ⁴
STANDBY	H	X	X	H	X	X	High-Z	High-Z	X	High-Z
OUTPUT DISABLE	L	H	H	H	X	X	High-Z	High-Z	X	High-Z
RESET	X	X	X	L	X	X	High-Z	High-Z	X	High-Z

- Notes:
1. Typical glitches of less than 5ns on CE#, WE#, and RST# are ignored by the device and do not affect bus operations.
 2. H = Logic level HIGH (V_{IH}); L = Logic level LOW (V_{IL}); X = HIGH or LOW.
 3. If WP# is LOW, then the highest or the lowest block remains protected, depending on line item.
 4. Data input is required when issuing a command sequence or when performing data polling or block protection.

Read

Bus READ operations read from the memory cells, registers, or CFI space. To accelerate the READ operation, the memory array can be read in page mode where data is internally read and stored in a page buffer.

The page size is 8 words (16 bytes) and is addressed by address inputs A[2:0] in x16 bus mode and A[2:0] plus DQ15/A-1 in x8 bus mode. The extended memory blocks and CFI area do not support page read mode.

A valid READ operation requires setting the appropriate address on the address inputs, taking CE# and OE# LOW, and holding WE# HIGH. Data I/O signals output the value.

Write

Bus WRITE operations write to the command interface. A valid WRITE operation requires setting the appropriate address on the address inputs. These are latched by the command interface on the falling edge of CE# or WE#, whichever occurs last. Values on data I/O signals are latched by the command interface on the rising edge of CE# or WE#, whichever occurs first. OE# must remain HIGH during the entire operation.

Standby and Automatic Standby

When the device is in read mode, driving CE# HIGH places the device in standby mode and drives data I/Os to High-Z. Supply current is reduced to standby (I_{CC2}) by holding CE# within V_{CC} ±0.3V.

During PROGRAM or ERASE operations, the device continues to use the program/erase supply current (I_{CC3}) until the operation completes.

Automatic standby enables low power consumption during read mode. When CMOS levels ($V_{CC} \pm 0.3V$) drive the bus, and following a READ operation and a period of inactivity specified in DC Characteristics, the memory enters automatic standby as internal supply current is reduced to I_{CC2} . Data I/O signals still output data if a READ operation is in progress. Depending on load circuits connected with data bus, V_{CCQ} can have a null consumption when the memory enters automatic standby.

Output Disable

Data I/Os are High-Z when OE# is HIGH.

Reset

During reset mode, the device is deselected, and outputs are High-Z. The device is in reset mode when RST# is LOW. Power consumption is reduced to standby level independently from CE#, OE#, or WE# inputs.

Status Register

Table 5: Status Register Bit Definitions

Note 1 applies to entire table

Bit	Name	Settings	Description	Notes
DQ7	Data polling bit	0 or 1, depending on operations	Monitors whether the program/erase controller has successfully completed its operation, or has responded to an ERASE SUSPEND operation.	2, 3, 4
DQ6	Toggle bit	Toggles: 0 to 1; 1 to 0; and so on	Monitors whether the program/erase controller has successfully completed its operations, or has responded to an ERASE SUSPEND operation. During a PROGRAM/ERASE operation, DQ6 toggles from 0 to 1, 1 to 0, and so on, with each successive READ operation from any address.	3, 4, 5
DQ5	Error bit	0 = Success 1 = Failure	Identifies errors detected by the program/erase controller. DQ5 is set to 1 when a PROGRAM, BLOCK ERASE, or CHIP ERASE operation fails to write the correct data to the memory.	4, 6
DQ3	Erase timer bit	0 = Erase not in progress 1 = Erase in progress	Identifies the start of program/erase controller operation during a BLOCK ERASE command. Before the program/erase controller starts, this bit set to 0, and additional blocks to be erased can be written to the command interface.	4
DQ2	Alternative toggle bit	Toggles: 0 to 1; 1 to 0; and so on	Monitors the program/erase controller during ERASE operations. During CHIP ERASE, BLOCK ERASE, and ERASE SUSPEND operations, DQ2 toggles from 0 to 1, 1 to 0, and so on, with each successive READ operation from addresses within the blocks being erased.	3, 4
DQ1	Buffered program abort bit	1 = Abort	Indicates a BUFFER PROGRAM operation abort. The BUFFERED PROGRAM ABORT and RESET command must be issued to return the device to read mode (see WRITE TO BUFFER PROGRAM command).	

- Notes:
1. The status register can be read during PROGRAM, ERASE, or ERASE SUSPEND operations; the READ operation outputs data on DQ[7:0].
 2. For a PROGRAM operation in progress, DQ7 outputs the complement of the bit being programmed. For a READ operation from the address previously programmed successfully, DQ7 outputs existing DQ7 data. For a READ operation from addresses with blocks to be erased while an ERASE SUSPEND operation is in progress, DQ7 outputs 0; upon successful completion of the ERASE SUSPEND operation, DQ7 outputs 1. For an ERASE operation in progress, DQ7 outputs 0; upon either operation's successful completion, DQ7 outputs 1.
 3. After successful completion of a PROGRAM or ERASE operation, the device returns to read mode.
 4. During erase suspend mode, READ operations to addresses within blocks not being erased output memory array data as if in read mode. A protected block is treated the same as a block not being erased. See the Toggle Flowchart for more information.
 5. During erase suspend mode, DQ6 toggles when addressing a cell within a block being erased. The toggling stops when the program/erase controller has suspended the ERASE operation. See the Toggle Flowchart for more information.
 6. When DQ5 is set to 1, a READ/RESET command must be issued before any subsequent command.

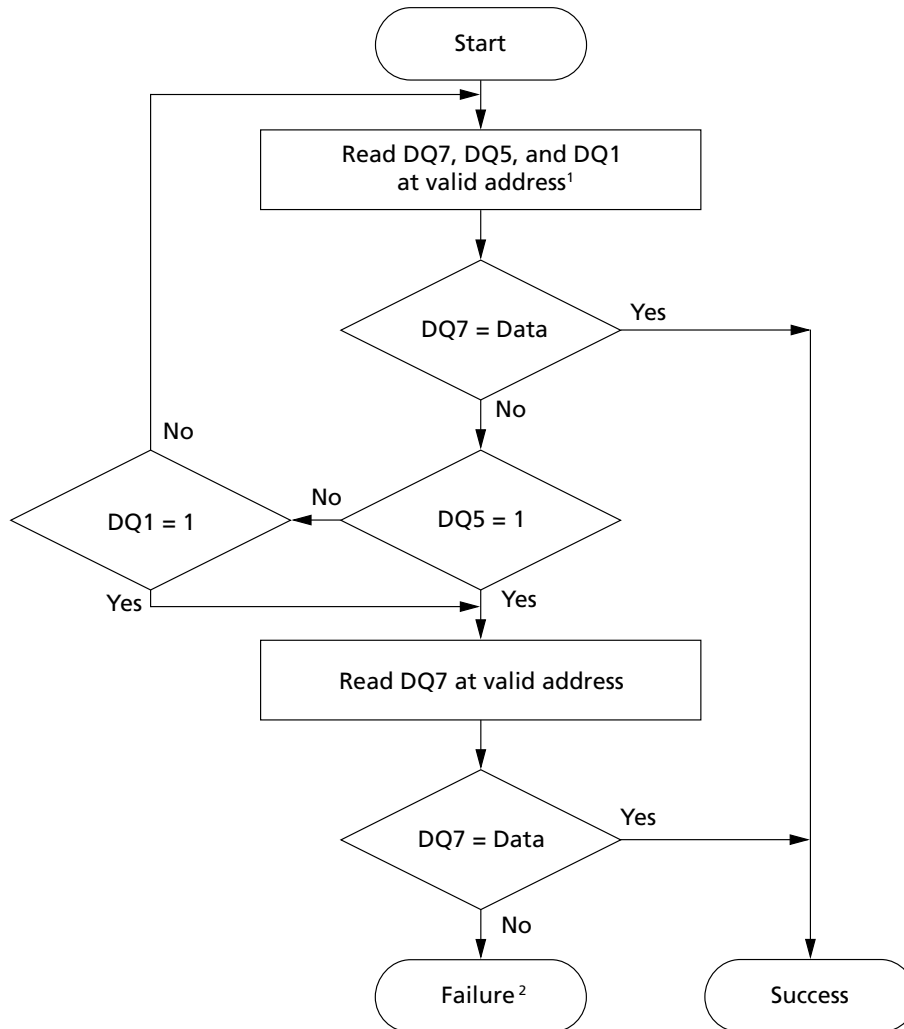
Table 6: Operations and Corresponding Bit Settings

Note 1 applies to entire table

Operation	Address	DQ7	DQ6	DQ5	DQ3	DQ2	DQ1	RY/BY#	Notes
PROGRAM	Any address	DQ7#	Toggle	0	–	No toggle	0	0	2
PROGRAM during ERASE SUSPEND	Any address	DQ7#	Toggle	0	–	–	–	0	
BUFFERED PROGRAM ABORT	Any address	DQ7#	Toggle	0	–	–	1	0	2
PROGRAM error	Any address	DQ7#	Toggle	1	–	–	–	High-Z	
CHIP ERASE	Any address	0	Toggle	0	1	Toggle	–	0	
BLOCK ERASE before time-out	Erasing block	0	Toggle	0	0	Toggle	–	0	
	Non-erasing block	0	Toggle	0	0	No toggle	–	0	
BLOCK ERASE	Erasing block	0	Toggle	0	1	Toggle	–	0	
	Non-erasing block	0	Toggle	0	1	No toggle	–	0	
ERASE SUSPEND	Erasing block	1	No toggle	0	–	Toggle	–	High-Z	
	Non-erasing block	Outputs memory array data as if in read mode					–	High-Z	
BLOCK ERASE error	Good block address	0	Toggle	1	1	No toggle	–	High-Z	
	Faulty block address	0	Toggle	1	1	Toggle	–	High-Z	

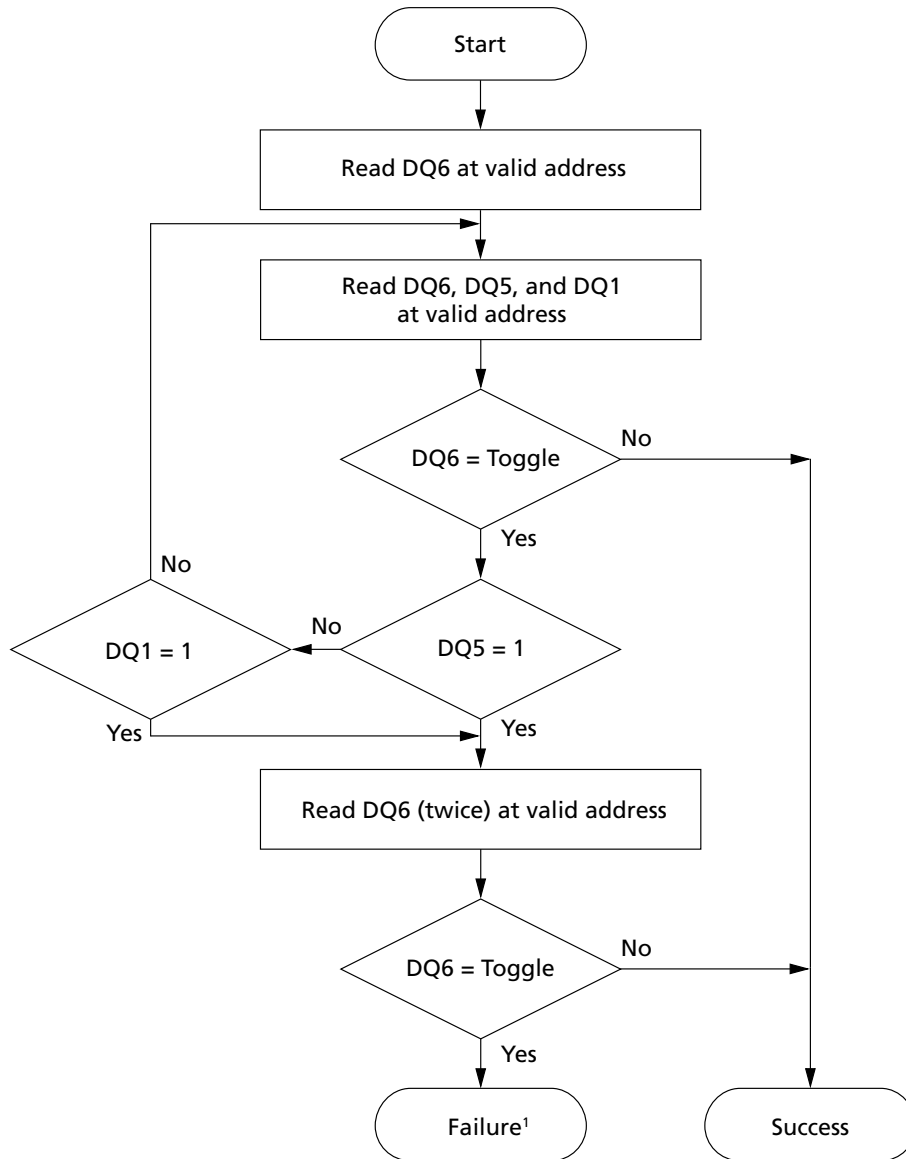
- Notes: 1. Unspecified data bits should be ignored.
2. DQ7# for buffer program is related to the last address location loaded.

Figure 4: Data Polling Flowchart



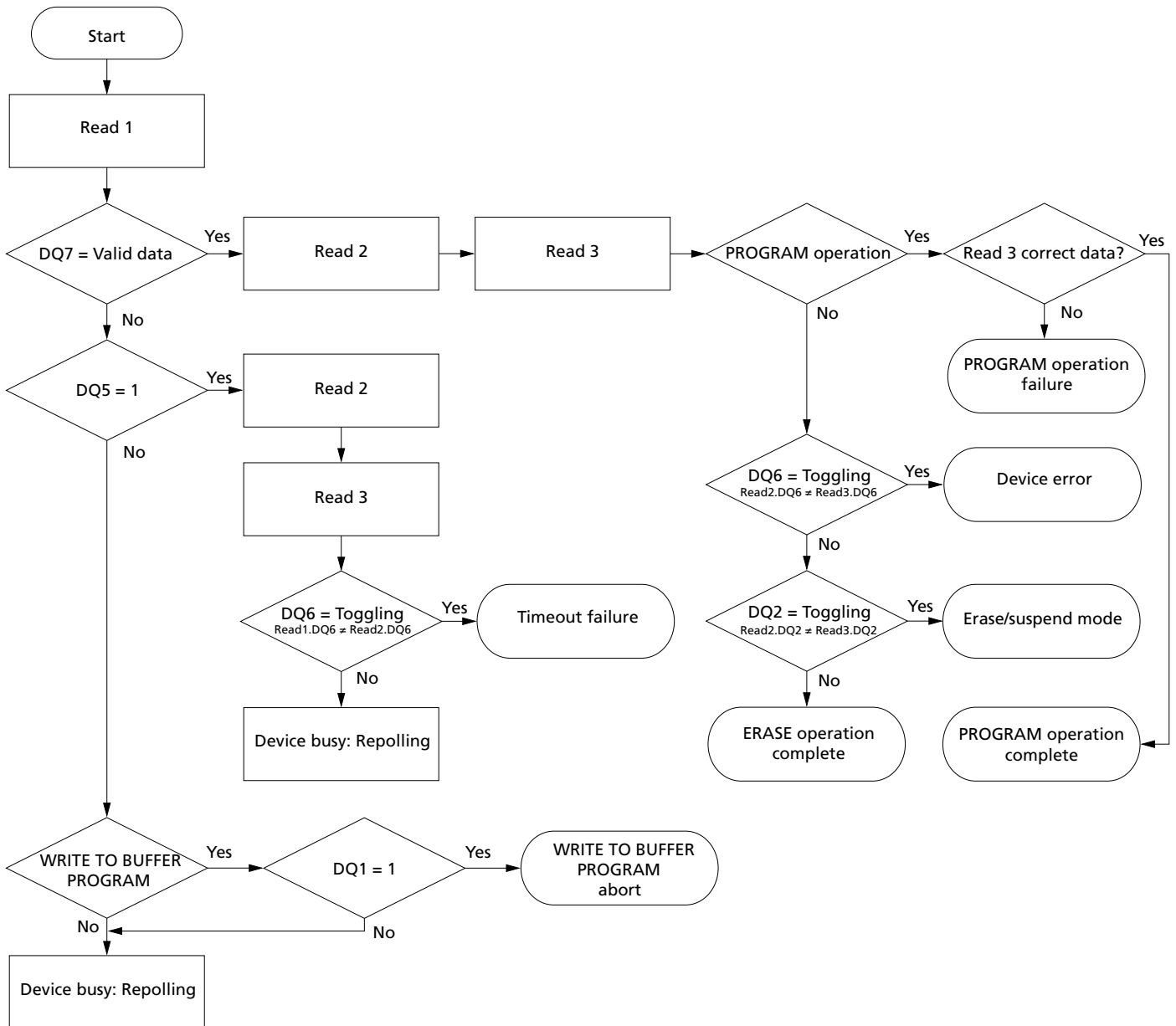
- Notes:
1. Valid address is the address being programmed or an address within the block being erased.
 2. Failure results: DQ5 = 1 indicates an operation error; DQ1 = 1 indicates a WRITE TO BUFFER PROGRAM ABORT operation.

Figure 5: Toggle Bit Flowchart



Note: 1. Failure results: DQ5 = 1 indicates an operation error; DQ1 = 1 indicates a WRITE TO BUFFER PROGRAM ABORT operation.

Figure 6: Status Register Polling Flowchart



Lock Register

Table 7: Lock Register Bit Definitions

Note 1 applies to entire table

Bit	Name	Settings	Description	Notes
DQ2	Password protection mode lock bit	0 = Password protection mode enabled 1 = Password protection mode disabled (Default)	Places the device permanently in password protection mode.	2
DQ1	Nonvolatile protection mode lock bit	0 = Nonvolatile protection mode enabled with password protection mode permanently disabled 1 = Nonvolatile protection mode enabled (Default)	Places the device in nonvolatile protection mode with password protection mode permanently disabled. When shipped from the factory, the device will operate in nonvolatile protection mode, and the memory blocks are unprotected.	2
DQ0	Extended memory block protection bit	0 = Protected 1 = Unprotected (Default)	If the device is shipped with the extended memory block unlocked, the block can be protected by setting this bit to 0. The extended memory block protection status can be read in auto select mode by issuing an AUTO SELECT command.	

- Notes:
1. The lock register is a 16-bit, one-time programmable register. DQ[15:3] are reserved and are set to a default value of 1.
 2. The password protection mode lock bit and nonvolatile protection mode lock bit cannot both be programmed to 0. Any attempt to program one while the other is programmed causes the operation to abort, and the device returns to read mode. The device is shipped from the factory with the default setting.

Table 8: Block Protection Status

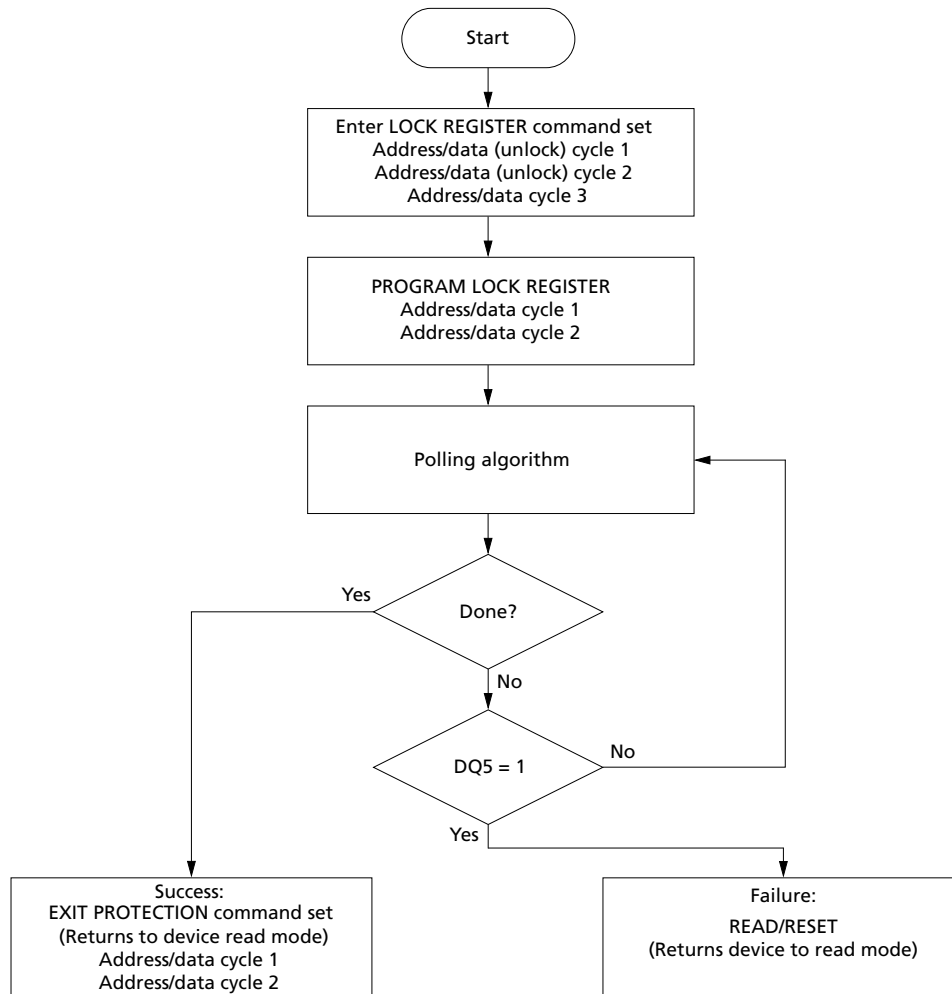
Nonvolatile Protection Bit Lock Bit ¹	Nonvolatile Protection Bit ²	Volatile Protection Bit ³	Block Protection Status	Block Protection Status
1	1	1	00h	Block unprotected; nonvolatile protection bit changeable.
1	1	0	01h	Block protected by volatile protection bit; nonvolatile protection bit changeable.
1	0	1	01h	Block protected by nonvolatile protection bit; nonvolatile protection bit changeable.
1	0	0	01h	Block protected by nonvolatile protection bit and volatile protection bit; nonvolatile protection bit changeable.
0	1	1	00h	Block unprotected; nonvolatile protection bit unchangeable.
0	1	0	01h	Block protected by volatile protection bit; nonvolatile protection bit unchangeable.
0	0	1	01h	Block protected by nonvolatile protection bit; nonvolatile protection bit unchangeable.

Table 8: Block Protection Status (Continued)

Nonvolatile Protection Bit Lock Bit ¹	Nonvolatile Protection Bit ²	Volatile Protection Bit ³	Block Protection Status	Block Protection Status
0	0	0	01h	Block protected by nonvolatile protection bit and volatile protection bit; nonvolatile protection bit unchangeable.

- Notes:
1. Nonvolatile protection bit lock bit: when cleared to 1, all nonvolatile protection bits are unlocked; when set to 0, all nonvolatile protection bits are locked.
 2. Block nonvolatile protection bit: when cleared to 1, the block is unprotected; when set to 0, the block is protected.
 3. Block volatile protection bit: when cleared to 1, the block is unprotected; when set to 0, the block is protected.

Figure 7: Lock Register Program Flowchart



- Notes: 1. Each lock register bit can be programmed only once.

2. See the Block Protection Command Definitions table for address-data cycle details.



Standard Command Definitions – Address-Data Cycles

Table 9: Standard Command Definitions – Address-Data Cycles, 8-Bit and 16-Bit

Note 1 applies to entire table

Command and Code/Subcode	Bus Size	Address and Data Cycles												Notes
		1st		2nd		3rd		4th		5th		6th		
		A	D	A	D	A	D	A	D	A	D	A	D	
READ and AUTO SELECT Operations														
READ/RESET (F0h)	x8	X	F0											
		AAA	AA	555	55	X	F0							
	x16	X	F0											
		555	AA	2AA	55	X	F0							
READ CFI (98h)	x8	AA	98											
	x16	55												
AUTO SELECT (90h)	x8	AAA	AA	555	55	AAA	90	Note 2	Note 2					2, 3, 4
	x16	555		2AA		555								
BYPASS Operations														
UNLOCK BYPASS (20h)	x8	AAA	AA	555	55	AAA	20							
	x16	555		2AA		555								
UNLOCK BYPASS RESET (90h/00h)	x8	X	90	X	00									
	x16													
PROGRAM Operations														
PROGRAM (A0h)	x8	AAA	AA	555	55	AAA	A0	PA	PD					
	x16	555		2AA		555								
UNLOCK BYPASS PROGRAM (A0h)	x8	X	A0	PA	PD									5
	x16													
WRITE TO BUFFER PROGRAM (25h)	x8	AAA	AA	555	55	BAd	25	BAd	N	PA	PD			6, 7, 8
	x16	555		2AA										
UNLOCK BYPASS WRITE TO BUFFER PROGRAM (25h)	x8	BAd	25	BAd	N	PA	PD							5
	x16													
WRITE TO BUFFER PROGRAM CONFIRM (29h)	x8	BAd	29											
	x16													
BUFFERED PROGRAM ABORT and RESET (F0h)	x8	AAA	AA	555	55	AAA	F0							
	x16	555		2AA		555								
ENHANCED BUFFERED PROGRAM (33h)	x8	NA												9
	x16	555	AA	2AA	55	555	33	BAd (00)	Data					
UNLOCK BYPASS ENHANCED BUFFERED PROGRAM (33h)	x8	NA												10
	x16	BAd	33	BAd (00)	Data	BAd (01)	Data							



128Mb 3V Embedded Parallel NOR Flash Standard Command Definitions – Address-Data Cycles

Table 9: Standard Command Definitions – Address-Data Cycles, 8-Bit and 16-Bit (Continued)

Note 1 applies to entire table

Command and Code/Subcode	Bus Size	Address and Data Cycles												Notes
		1st		2nd		3rd		4th		5th		6th		
		A	D	A	D	A	D	A	D	A	D	A	D	
ENHANCED BUFFERED PROGRAM CONFIRM (29h)	x8	NA												
	x16	BAd (00)	29	Gray shading										
ENHANCED BUFFERED PROGRAM ABORT (F0h)	x8	NA												
	x16	555	AA	2AA	55	555	F0	Gray shading						
PROGRAM SUSPEND (B0h)	x8	X	B0	Gray shading										
	x16			Gray shading										
PROGRAM RESUME (30h)	x8	X	30	Gray shading										
	x16			Gray shading										
ERASE Operations														
CHIP ERASE (80/10h)	x8	AAA	AA	555	55	AAA	80	AAA	AA	555	55	AAA	10	
	x16	555		2AA		555		555		2AA		555		
UNLOCK BYPASS CHIP ERASE (80/10h)	x8	X	80	X	10	Gray shading								5
	x16					Gray shading								
BLOCK ERASE (80/30h)	x8	AAA	AA	555	55	AAA	80	AAA	AA	555	55	BAd	30	11
	x16	555		2AA		555		555		2AA				
UNLOCK BYPASS BLOCK ERASE (80/30h)	x8	X	80	BAd	30	Gray shading								5
	x16					Gray shading								
ERASE SUSPEND (B0h)	x8	X	B0	Gray shading										
	x16			Gray shading										
ERASE RESUME (30h)	x8	X	30	Gray shading										
	x16			Gray shading										

- Notes:
1. A = Address; D = Data; X = "Don't Care"; BAd = Any address in the block; N = Number of bytes to be programmed; PA = Program address; PD = Program data; Gray shading = Not applicable. All values in the table are hexadecimal. Some commands require both a command code and subcode.
 2. These cells represent READ cycles (versus WRITE cycles for the others).
 3. AUTO SELECT enables the device to read the manufacturer code, device code, block protection status, and extended memory block protection indicator.
 4. AUTO SELECT addresses and data are specified in the Electronic Signature table and the Extended Memory Block Protection table.
 5. For any UNLOCK BYPASS ERASE/PROGRAM command, the first two UNLOCK cycles are unnecessary.
 6. BAd must be the same as the address loaded during the WRITE TO BUFFER PROGRAM 3rd and 4th cycles.
 7. WRITE TO BUFFER PROGRAM operation: maximum cycles = 68(x8) and 36 (x16). UNLOCK BYPASS WRITE TO BUFFER PROGRAM operation: maximum cycles = 66 (x8), 34 (x16).

WRITE TO BUFFER PROGRAM operation: $N + 1$ = bytes to be programmed; maximum buffer size = 64 bytes (x8) and 32 words (x16).

8. For x8, A[$MAX:5$] address pins should remain unchanged while A[4:0] and A-1 pins are used to select a byte within the $N + 1$ byte page. For x16, A[$MAX:5$] address pins should remain unchanged while A[4:0] pins are used to select a word within the $N + 1$ word page.
9. The following is content for address-data cycles 258 through 259: BAd (FE) - Data; BAd (FF) - Data.
10. The following is content for address-data cycles 256 through 257: BAd (FE) - Data; BAd (FF) - Data.
11. BLOCK ERASE address cycles can extend beyond six address-data cycles, depending on the number of blocks to erase.

READ Operations

READ/RESET Command

The READ/RESET (F0h) command returns the device to read mode and resets the errors in the status register. One or three bus WRITE operations can be used to issue the READ/RESET command.

To return the device to read mode, this command can be issued between bus WRITE cycles before the start of a PROGRAM or ERASE operation. If the READ/RESET command is issued during the timeout of a BLOCK ERASE operation, the device requires up to 10 μ s to abort, during which time no valid data can be read.

READ CFI Command

The READ CFI (98h) command puts the device in read CFI mode and is valid only when the device is in read array or auto select mode. One bus WRITE cycle is required to issue the command.

Once in read CFI mode, bus READ operations will output data from the CFI memory area. A READ/RESET command must be issued to return the device to the previous mode (read array or auto select). A second READ/RESET command is required to put the device in read array mode from auto select mode.

AUTO SELECT Operations

AUTO SELECT Command

At power-up or after a hardware reset, the device is in read mode. It can then be put in auto select mode by issuing an AUTO SELECT (90h) command or by applying V_{ID} to A9. Auto select mode enables the following device information to be read:

- Electronic signature, which includes manufacturer and device code information, as shown in the Electronic Signature table.
- Block protection, which includes the block protection status and extended memory block protection indicator, as shown in the Block Protection table.

Electronic signature or block protection information is read by executing a READ operation with control signals and addresses set, as shown in the Read Electronic Signature table or the Block Protection table, respectively.

Auto select mode can be used by the programming equipment to automatically match a device with the application code to be programmed.

Three consecutive bus WRITE operations are required to issue an AUTO SELECT command. The device remains in auto select mode until a READ/RESET or READ CFI command is issued.

The device cannot enter auto select mode when a PROGRAM or ERASE operation is in progress (RY/BY# LOW). However, auto select mode can be entered if the PROGRAM or ERASE operation has been suspended by issuing a PROGRAM SUSPEND or ERASE SUSPEND command.

To enter auto select mode by applying V_{ID} to A9, see the Read Electronic Signature table and the Block Protection table.

Auto select mode is exited by performing a reset. The device returns to read mode unless it entered auto select mode after an ERASE SUSPEND or PROGRAM SUSPEND command, in which case it returns to erase or program suspend mode.

Table 10: Read Electronic Signature

Note 1 applies to entire table

Signal	READ Cycle				Notes
	Manufacturer Code	Device Code 1	Device Code 3	Device Code 3	
CE#	L	L	L	L	
OE#	L	L	L	L	
WE#	H	H	H	H	
Address Input, 8-Bit and 16-Bit					
A[MAX:10]	X	X	X	X	
A9	V_{ID}	V_{ID}	V_{ID}	V_{ID}	2
A8	X	X	X	X	
A[7:5]	L	L	L	L	
A4	X	X	X	X	
A[3:1]	L	L	H	H	

Table 10: Read Electronic Signature (Continued)

Note 1 applies to entire table

Signal	READ Cycle				Notes
	Manufacturer Code	Device Code 1	Device Code 3	Device Code 3	
A0	L	H	L	H	
Address Input, 8-Bit Only					
DQ[15]/A-1	X	X	X	X	
Data I/O, 8-Bit Only					
DQ[14:8]	X	X	X	X	
DQ[7:0]	20h	7Eh	21h	XX	
Data I/O, 16-Bit Only					
DQ[15]/A-1, and DQ[14:0]	0020h	227Eh	2221h	XXXX	

- Notes:
1. H = Logic level HIGH (V_{IH}); L = Logic level LOW (V_{IL}); X = HIGH or LOW.
 2. When using the AUTO SELECT command to enter auto select mode, applying V_{ID} to A9 is not required. A9 can be either V_{IL} or V_{IH} .
 3. XX = 01h for M29W128GH and 00h for M29W128GL.
 4. XXXX = 2201h for M29W128GH and 2200h for M29W128GL.

Table 11: Block Protection

Note 1 applies to entire table

Signal	READ Cycle			Notes
	Extended Memory Block Verify Indicator (GL)	Extended Memory Block Verify Indicator (GH)	Block Protection Status Indicator	
CE#	L	L	L	
OE#	L	L	L	
WE#	H	H	H	
Address Input, 8-Bit and 16-Bit				
A[MAX:16]	X	X	Block base address	
A[15:10]	X	X	X	
A9	V _{ID}	V _{ID}	V _{ID}	2
A8	X	X	X	
A[7:5]	L	L	L	
A4	X	X	X	
A[3:2]	L	L	L	
A1	H	H	H	
A0	H	H	L	
Address Input, 8-Bit Only				
DQ[15]/A-1	X	X	X	
Data I/O, 8-Bit Only				
DQ[14:8]	X	X	X	
DQ[7:0]	89h	99h	01h	3, 5
	09h	19h	00h	4, 6
Data I/O, 16-Bit Only				
DQ[15]/A-1, and DQ[14:0]	0089h	0099h	0001h	3, 5
	0009h	0019h	0000h	4, 6

- Notes:
1. Read cycle output to DQ7 = Extended memory block protection indicator; GH = High block protection; GL = Low block protection; BPS = Block protection status; H = Logic level HIGH (V_{IH}); L = Logic level LOW (V_{IL}); X = HIGH or LOW.
 2. When using the AUTO SELECT command to enter auto select mode, applying V_{ID} to A9 is not required. A9 can be either V_{IL} or V_{IH}.
 3. Extended memory blocks are Micron-protected (permanent).
 4. Extended memory blocks are customer-lockable.
 5. Block protection status = protected: 01h (in x8 mode) is output on DQ[7:0].
 6. Block protection status = unprotected: 00h (in x8 mode) is output on DQ[7:0].

Bypass Operations

UNLOCK BYPASS Command

The UNLOCK BYPASS (20h) command is used to place the device in unlock bypass mode. Three bus WRITE operations are required to issue the UNLOCK BYPASS command.

When the device enters unlock bypass mode, the two initial UNLOCK cycles required for a standard PROGRAM or ERASE operation are not needed, thus enabling faster total program or erase time.

The UNLOCK BYPASS command is used in conjunction with UNLOCK BYPASS PROGRAM or UNLOCK BYPASS ERASE commands to program or erase the device faster than with standard PROGRAM or ERASE commands. Using these commands can save considerable time when the cycle time to the device is long. When in unlock bypass mode, only the following commands are valid:

- The UNLOCK BYPASS PROGRAM command can be issued to program addresses within the device.
- The UNLOCK BYPASS BLOCK ERASE command can then be issued to erase one or more memory blocks.
- The UNLOCK BYPASS CHIP ERASE command can be issued to erase the whole memory array.
- The UNLOCK BYPASS WRITE TO BUFFER PROGRAM and UNLOCK BYPASS ENHANCED WRITE TO BUFFER PROGRAM commands can be issued to speed up the programming operation.
- The UNLOCK BYPASS RESET command can be issued to return the device to read mode.

In unlock bypass mode, the device can be read as if in read mode.

In addition to the UNLOCK BYPASS command, when $V_{PP}/WP\#$ is raised to V_{PPH} , the device automatically enters unlock bypass mode. When $V_{PP}/WP\#$ returns to V_{IH} or V_{IL} , the device is no longer in unlock bypass mode, and normal operation resumes. The transitions from V_{IH} to V_{PPH} and from V_{PPH} to V_{IH} must be slower than t_{VHVPP} . (See the Accelerated Program, Data Polling/Toggle AC Characteristics.)

Note: Micron recommends entering and exiting unlock bypass mode using the ENTER UNLOCK BYPASS and UNLOCK BYPASS RESET commands rather than raising $V_{PP}/WP\#$ to V_{PPH} . $V_{PP}/WP\#$ should never be raised to V_{PPH} from any mode except read mode; otherwise, the device may be left in an indeterminate state. $V_{PP}/WP\#$ should not remain at V_{PPH} for than 80 hours cumulative.

UNLOCK BYPASS RESET Command

The UNLOCK BYPASS RESET (90/00h) command is used to return to read/reset mode from unlock bypass mode. Two bus WRITE operations are required to issue the UNLOCK BYPASS RESET command. The READ/RESET command does not exit from unlock bypass mode.

Program Operations

PROGRAM Command

The PROGRAM (A0h) command can be used to program a value to one address in the memory array. The command requires four bus WRITE operations, and the final WRITE operation latches the address and data in the internal state machine and starts the program/erase controller. After programming has started, bus READ operations output the status register content.

Programming can be suspended and then resumed by issuing a PROGRAM SUSPEND command and a PROGRAM RESUME command, respectively.

If the address falls in a protected block, the PROGRAM command is ignored, and the data remains unchanged. The status register is not read, and no error condition is given.

After the PROGRAM operation has completed, the device returns to read mode, unless an error has occurred. When an error occurs, bus READ operations to the device continue to output the status register. A READ/RESET command must be issued to reset the error condition and return the device to read mode.

The PROGRAM command cannot change a bit set to 0 back to 1, and an attempt to do so is masked during a PROGRAM operation. Instead, an ERASE command must be used to set all bits in one memory block or in the entire memory from 0 to 1.

The PROGRAM operation is aborted by performing a reset or by powering-down the device. In this case, data integrity cannot be ensured, and it is recommended that the words or bytes that were aborted be reprogrammed.

UNLOCK BYPASS PROGRAM Command

When the device is in unlock bypass mode, the UNLOCK BYPASS PROGRAM (A0h) command can be used to program one address in the memory array. The command requires two bus WRITE operations instead of four required by a standard PROGRAM command; the final WRITE operation latches the address and data and starts the program/erase controller (The standard PROGRAM command requires four bus WRITE operations). The PROGRAM operation using the UNLOCK BYPASS PROGRAM command behaves identically to the PROGRAM operation using the PROGRAM command. The operation cannot be aborted. A bus READ operation to the memory outputs the status register.

WRITE TO BUFFER PROGRAM Command

The WRITE TO BUFFER PROGRAM (25h) command makes use of the 32-word program buffer to speed up programming. A maximum of 32 words can be loaded into the program buffer. The WRITE TO BUFFER PROGRAM command dramatically reduces system programming time compared to the standard non-buffered PROGRAM command.

When issuing a WRITE TO BUFFER PROGRAM command, $V_{PP}/WP\#$ can be either held HIGH or raised to V_{PPH} . Also, it can be held LOW if the block is not the lowest or highest block, depending on the part number. The following successive steps are required to issue the WRITE TO BUFFER PROGRAM command:

First, two UNLOCK cycles are issued. Next, a third bus WRITE cycle sets up the WRITE TO BUFFER PROGRAM command. The set-up code can be addressed to any location

within the targeted block. Then, a fourth bus WRITE cycle sets up the number of words/bytes to be programmed. Value n is written to the same block address, where $n + 1$ is the number of words/bytes to be programmed. Value $n + 1$ must not exceed the size of the program buffer, or the operation will abort. A fifth cycle loads the first address and data to be programmed. Last, n bus WRITE cycles load the address and data for each word/byte into the program buffer. Addresses must lie within the range from *the start address + 1* to *the start address + (n - 1)*.

Optimum programming performance and lower power usage are achieved by aligning the starting address at the beginning of a 32-word boundary. Any buffer size smaller than 32 words is allowed within a 32-word boundary, while all addresses used in the operation must lie within the 32-word boundary. In addition, any crossing boundary buffer program will result in a program abort.

To program the content of the program buffer, this command must be followed by a WRITE TO BUFFER PROGRAM CONFIRM command.

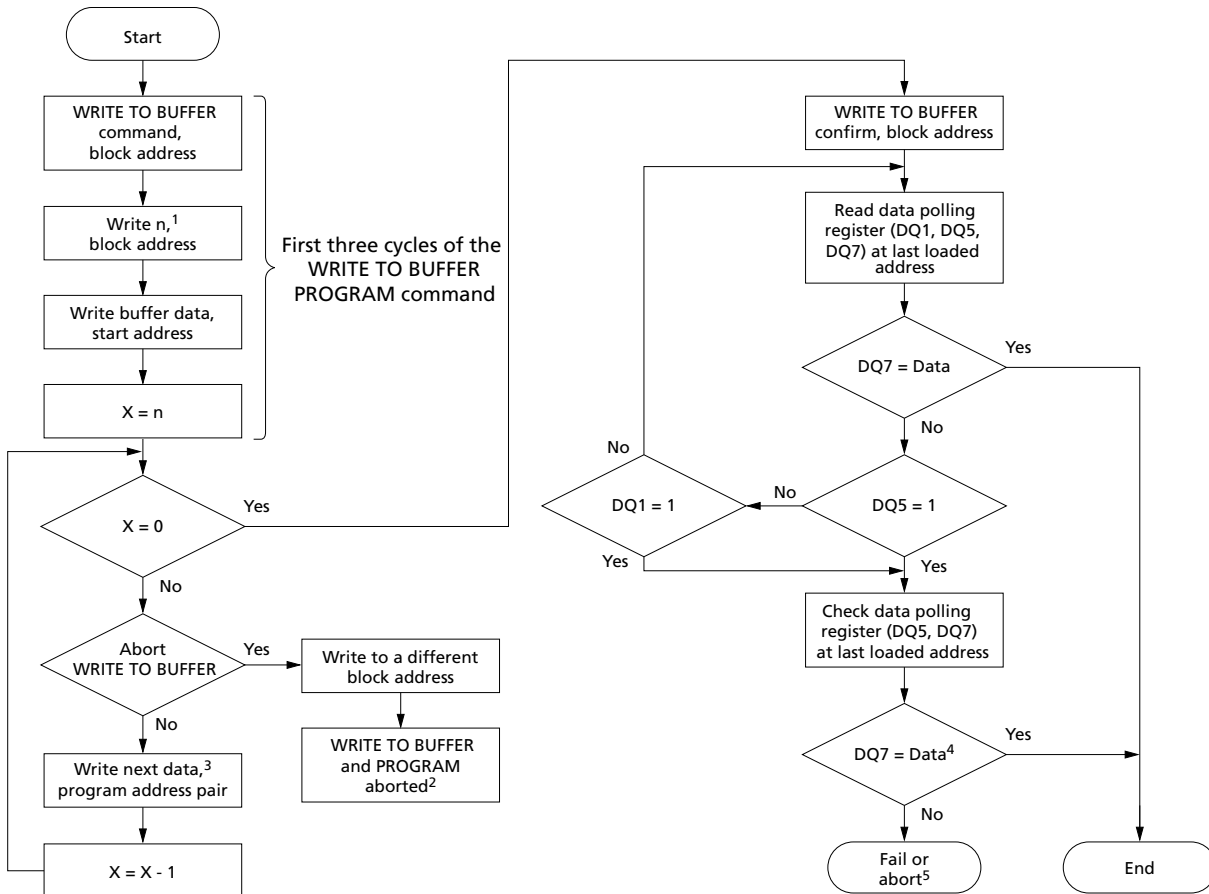
If an address is written several times during a WRITE TO BUFFER PROGRAM operation, the address/data counter will be decremented at each data load operation, and the data will be programmed to the last word loaded into the buffer.

Invalid address combinations or the incorrect sequence of bus WRITE cycles will abort the WRITE TO BUFFER PROGRAM command.

The status register bits DQ1, DQ5, DQ6, DQ7 can be used to monitor the device status during a WRITE TO BUFFER PROGRAM operation.

The WRITE BUFFER PROGRAM command should not be used to change a bit set to 0 back to 1, and an attempt to do so is masked during the operation. Rather than the WRITE BUFFER PROGRAM command, the ERASE command should be used to set memory bits from 0 to 1.

Figure 8: WRITE TO BUFFER PROGRAM Flowchart



- Notes:
1. $n + 1$ is the number of addresses to be programmed.
 2. The BUFFERED PROGRAM ABORT and RESET command must be issued to return the device to read mode.
 3. When the block address is specified, any address in the selected block address space is acceptable. However, when loading program buffer address with data, all addresses must fall within the selected program buffer page.
 4. DQ7 must be checked because DQ5 and DQ7 may change simultaneously.
 5. If this flowchart location is reached because $DQ5 = 1$, then the WRITE TO BUFFER PROGRAM command failed. If this flowchart location is reached because $DQ1 = 1$, then the WRITE TO BUFFER PROGRAM command aborted. In both cases, the appropriate RESET command must be issued to return the device to read mode: A RESET command if the operation failed; a WRITE TO BUFFER PROGRAM ABORT AND RESET command if the operation aborted.
 6. See the Standard Command Definitions – Address-Data Cycles, 8-Bit and 16-Bit table for details about the WRITE TO BUFFER PROGRAM command sequence.

UNLOCK BYPASS WRITE TO BUFFER PROGRAM Command

When the device is in unlock bypass mode, the UNLOCK BYPASS WRITE TO BUFFER (25h) command can be used to program the device in fast program mode. The command requires two bus WRITE operations fewer than the standard WRITE TO BUFFER PROGRAM command.

The UNLOCK BYPASS WRITE TO BUFFER PROGRAM command behaves the same way as the WRITE TO BUFFER PROGRAM command: the operation cannot be aborted, and a bus READ operation to the memory outputs the status register.

The WRITE TO BUFFER PROGRAM CONFIRM command is used to confirm an UNLOCK BYPASS WRITE TO BUFFER PROGRAM command and to program the $n + 1$ words/bytes loaded in the program buffer by this command.

WRITE TO BUFFER PROGRAM CONFIRM Command

The WRITE TO BUFFER PROGRAM CONFIRM (29h) command is used to confirm a WRITE TO BUFFER PROGRAM command and to program the $n + 1$ words/bytes loaded in the program buffer by this command.

BUFFERED PROGRAM ABORT AND RESET Command

A BUFFERED PROGRAM ABORT AND RESET (F0h) command must be issued to abort the WRITE TO BUFFER PROGRAM and ENHANCED BUFFERED PROGRAM operations and reset the device in read mode. The buffer programming sequence can be aborted in the following ways:

- Load a value that is greater than the page buffer size during the number of locations to program in the WRITE TO BUFFER PROGRAM command.
- Write to an address in a different block than the one specified during the WRITE BUFFER LOAD command.
- Write an address/data pair to a different write buffer page than the one selected by the starting address during the program buffer data loading stage of the operation.
- Write data other than the CONFIRM command after the specified number of data load cycles.

The abort condition is indicated by $DQ1 = 1$, $DQ7 = DQ7\#$ (for the last address location loaded), $DQ6 = \text{toggle}$, and $DQ5 = 0$ (all of which are status register bits). A BUFFERED PROGRAM ABORT and RESET command sequence must be written to reset the device for the next operation.

Note: The full three-cycle BUFFERED PROGRAM ABORT and RESET command sequence is required when using buffer programming features in unlock bypass mode.

PROGRAM SUSPEND Command

The PROGRAM SUSPEND (B0h) command can be used to interrupt a program operation so that data can be read from any block. When the PROGRAM SUSPEND command is issued during a program operation, the device suspends the operation within the program suspend latency time and updates the status register bits.

After the program operation has been suspended, data can be read from any address. However, data is invalid when read from an address where a program operation has been suspended.

The PROGRAM SUSPEND command may also be issued during a PROGRAM operation while an erase is suspended. In this case, data may be read from any address not in erase suspend or program suspend mode. To read from the extended memory block area (one-time programmable area), the ENTER/EXIT EXTENDED MEMORY BLOCK command sequences must be issued.

The system may also issue the AUTO SELECT command sequence when the device is in program suspend mode. The system can read as many auto select codes as required. When the device exits auto select mode, the device reverts to program suspend mode and is ready for another valid operation.

The PROGRAM SUSPEND operation is aborted by performing a device reset or power-down. In this case, data integrity cannot be ensured, and it is recommended that the words or bytes that were aborted be reprogrammed.

PROGRAM RESUME Command

The PROGRAM RESUME (30h) command must be issued to exit a program suspend mode and resume a PROGRAM operation. The controller can use DQ7 or DQ6 status bits to determine the status of the PROGRAM operation. After a PROGRAM RESUME command is issued, subsequent PROGRAM RESUME commands are ignored. Another PROGRAM SUSPEND command can be issued after the device has resumed programming.

ENHANCED BUFFERED PROGRAM Command

The ENHANCED BUFFERED PROGRAM command (x16 only) makes use of a 256-word write buffer to speed up programming. Each write buffer has the same A22-A8 addresses. This command dramatically reduces system programming time compared to both the standard non-buffered PROGRAM command and the WRITE TO BUFFER command.

When issuing the ENHANCED BUFFERED PROGRAM command, the V_{PP}/WP pin can be held HIGH or raised to V_{PPH} (see Program/Erase Characteristics). The following successive steps are required to issue the ENHANCED BUFFERED PROGRAM command:

The ENHANCED BUFFERED PROGRAM command begins with two unlock cycles, followed by one bus write cycle that sets up the command. The setup code can be addressed to any location within the targeted block. Next, another bus write cycle loads the first address and data to be programmed. There a total of 256 address and data loading cycles. To program the content of the write buffer, the ENHANCED BUFFERED PROGRAM command must be followed by an ENHANCED BUFFERED PROGRAM CONFIRM command. The command ends with an internal enhanced buffered program confirm cycle.

Address/data cycles must be loaded in an increasing address order, from $A[7:0] = 00000000$ to $A[7:0] = 11111111$ until all 256 words are loaded. Invalid address combinations or the incorrect sequence of bus WRITE cycles will abort the WRITE TO BUFFER PROGRAM command.

The status register bits DQ1, DQ5, DQ6, DQ7 can be used to monitor the device status during a WRITE TO BUFFER PROGRAM operation.

An external 12V supply can be used to improve programming efficiency.

When reprogramming data in a portion of memory already programmed (changing programmed data from '0' to '1') operation failure can be detected by a logical OR between the previous and the current value.

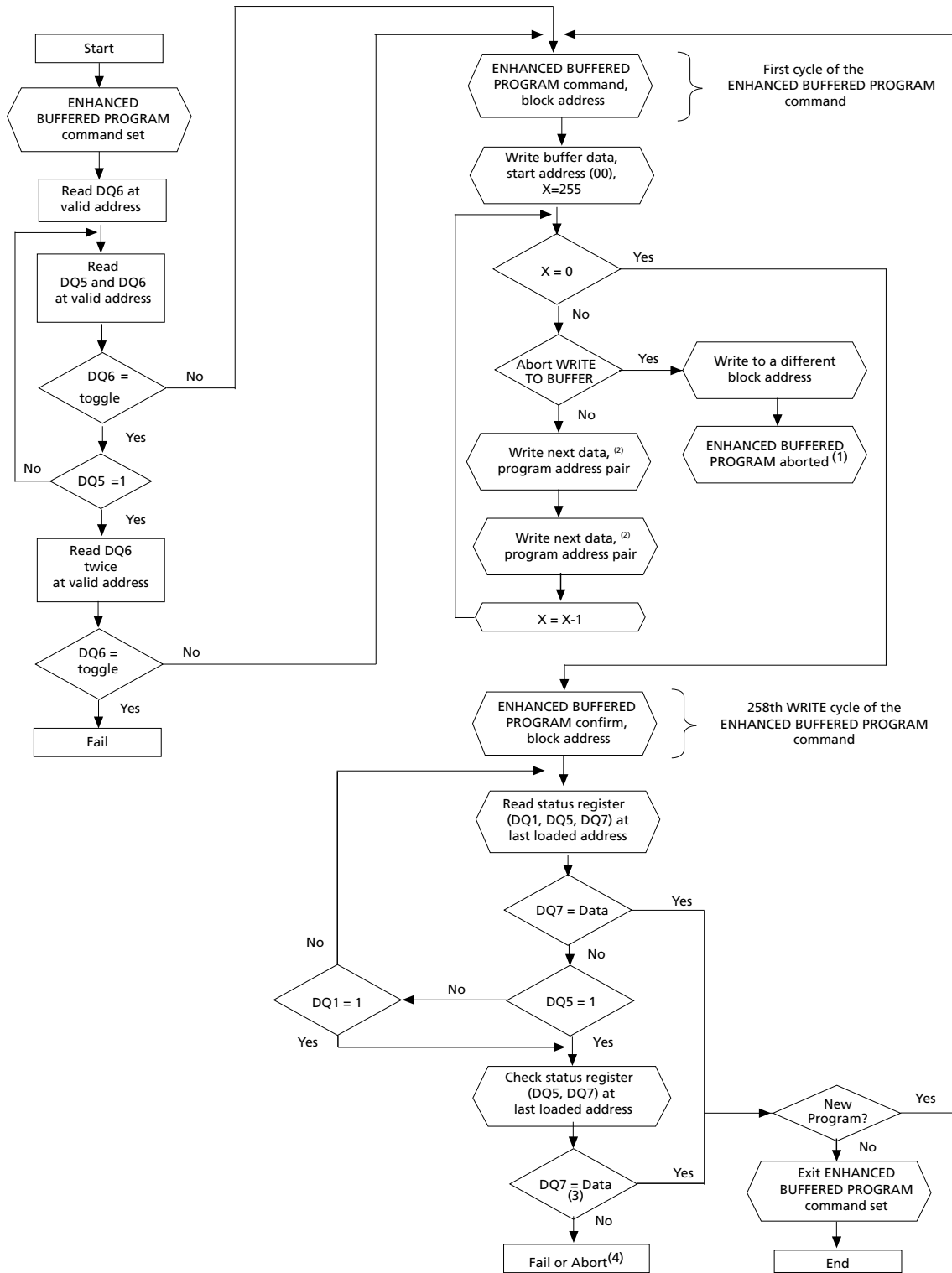
UNLOCK BYPASS ENHANCED BUFFERED PROGRAM Command

The UNLOCK BYPASS ENHANCED BUFFERED PROGRAM command can be used to program the memory in fast program mode. The command requires two less address/data loading cycles than the standard ENHANCED BUFFERED PROGRAM command. Otherwise, the two operations behave identically. The operation cannot be aborted and a READ operation to the memory outputs the status register. The ENHANCED BUFFERED PROGRAM CONFIRM command confirms the command and programs the 256 words loaded in the buffer.

ENHANCED BUFFERED PROGRAM CONFIRM Command

The ENHANCED BUFFERED PROGRAM CONFIRM command is used to confirm the two ENHANCED BUFFERED PROGRAM CONFIRM commands and to program the 256 words loaded in the buffer.

Figure 9: ENHANCED BUFFERED PROGRAM Flowchart



Notes: 1. The BUFFERED PROGRAM ABORT AND RESET command must be issued to return the device to read mode.

2. When the block address is specified, all addresses in the selected block address space must be issued starting from 00h. Furthermore, when loading the write buffer address with data, data program addresses must be consecutive.
3. DQ7 must be checked since DQ5 and DQ7 may change simultaneously.
4. If this flowchart location is reached because DQ5 = 1, then the ENHANCED WRITE TO BUFFER PROGRAM command failed. If this flowchart location is reached because DQ1 = 1, then the ENHANCED WRITE TO BUFFER PROGRAM command aborted. In both cases, the appropriate RESET command must be issued to return the device to read mode: A RESET command if the operation failed; a WRITE TO BUFFER PROGRAM ABORT AND RESET command if the operation aborted.

Erase Operations

CHIP ERASE Command

The CHIP ERASE (80/10h) command erases the entire chip. Six bus WRITE operations are required to issue the command and start the program/erase controller.

Protected blocks are not erased. If all blocks are protected, the CHIP ERASE operation appears to start, but will terminate within approximately 100µs, leaving the data unchanged. No error is reported when protected blocks are not erased.

During the CHIP ERASE operation, the device ignores all other commands, including ERASE SUSPEND. It is not possible to abort the operation. All bus READ operations during CHIP ERASE output the status register on the data I/Os. (See the Status Register section for more details.)

After the CHIP ERASE operation completes, the device returns to read mode, unless an error has occurred. If an error occurs, the device will continue to output the status register. A READ/RESET command must be issued to reset the error condition and return to read mode.

The CHIP ERASE command sets all of the bits in unprotected blocks of the device to 1. All previous data is lost.

The operation is aborted by performing a reset or by powering-down the device. In this case, data integrity cannot be ensured, and the entire chip should be erased again.

UNLOCK BYPASS CHIP ERASE Command

When the device is in unlock bypass mode, the UNLOCK BYPASS CHIP ERASE (80/10h) command can be used to erase all memory blocks at one time. The command requires only two bus WRITE operations instead of six using the standard CHIP ERASE command. The final bus WRITE operation starts the program/erase controller.

The UNLOCK BYPASS CHIP ERASE command behaves the same way as the CHIP ERASE command: the operation cannot be aborted, and a bus READ operation to the memory outputs the status register.

BLOCK ERASE Command

The BLOCK ERASE (80/30h) command erases a list of one or more blocks. It sets all of the bits in the unprotected selected blocks to 1. All previous data in the selected blocks is lost.

Six bus WRITE operations are required to select the first block in the list. Each additional block in the list can be selected by repeating the sixth bus WRITE operation using the address of the additional block. After the command sequence is written, a block erase timeout occurs. During the timeout period, additional block addresses and BLOCK ERASE commands can be written. After the program/erase controller has started, it is not possible to select any more blocks. Each additional block must therefore be selected within the timeout period of the last block. The timeout timer restarts when an additional block is selected. After the sixth bus WRITE operation, a bus READ operation outputs the status register. (See the WE#-Controlled Program waveforms for details on how to identify if the program/erase controller has started the BLOCK ERASE operation.)

After the BLOCK ERASE operation completes, the device returns to read mode, unless an error has occurred. If an error occurs, bus READ operations will continue to output the status register. A READ/RESET command must be issued to reset the error condition and return to read mode.

If any selected blocks are protected, they are ignored, and all the other selected blocks are erased. If all the selected blocks are protected, the BLOCK ERASE operation appears to start, but will terminate within approximately 100µs, leaving the data unchanged. No error condition is given when protected blocks are not erased.

During the BLOCK ERASE operation, the device ignores all commands except the ERASE SUSPEND command and the READ/RESET command, which is accepted only during the timeout period. The operation is aborted by performing a reset or powering-down the device. In this case, data integrity cannot be ensured, and the aborted blocks should be erased again.

UNLOCK BYPASS BLOCK ERASE Command

When the device is in unlock bypass mode, the UNLOCK BYPASS BLOCK ERASE (80/30h) command can be used to erase one or more memory blocks at a time. The command requires two bus WRITE operations instead of six using the standard BLOCK ERASE command. The final bus WRITE operation latches the address of the block and starts the program/erase controller.

To erase multiple blocks (after the first two bus WRITE operations have selected the first block in the list), each additional block in the list can be selected by repeating the second bus WRITE operation using the address of the additional block.

The UNLOCK BYPASS BLOCK ERASE command behaves the same way as the BLOCK ERASE command: the operation cannot be aborted, and a bus READ operation to the memory outputs the status register. (See the BLOCK ERASE Command section for details.)

ERASE SUSPEND Command

The ERASE SUSPEND (B0h) command temporarily suspends a BLOCK ERASE operation. One bus WRITE operation is required to issue the command. The block address is "Don't Care."

The program/erase controller suspends the ERASE operation within the erase suspend latency time of the ERASE SUSPEND command being issued. However, when the ERASE SUSPEND command is written during the block erase timeout, the device immediately terminates the timeout period and suspends the ERASE operation. After the program/erase controller has stopped, the device operates in read mode, and the erase is suspended.

During an ERASE SUSPEND operation, it is possible to read and execute PROGRAM operations or WRITE TO BUFFER PROGRAM operations in blocks that are not suspended. Both READ and PROGRAM operations behave normally on these blocks. Reading from blocks that are suspended will output the status register. If any attempt is made to program in a protected block or in the suspended block, the PROGRAM command is ignored, and the data remains unchanged. In this case, the status register is not read, and no error condition is given.

It is also possible to issue AUTO SELECT and UNLOCK BYPASS commands during an ERASE SUSPEND operation. The READ/RESET command must be issued to return the device to read array mode before the RESUME command will be accepted.

During an ERASE SUSPEND operation, a bus READ operation to the extended memory block will output the extended memory block data. After the device enters extended memory block mode, the EXIT EXTENDED MEMORY BLOCK command must be issued before the ERASE operation can be resumed.

An ERASE SUSPEND command is ignored if it is written during a CHIP ERASE operation.

If the ERASE SUSPEND operation is aborted by performing a device reset or power-down, data integrity cannot be ensured, and the suspended blocks should be erased again.

ERASE RESUME Command

The ERASE RESUME (30h) command restarts the program/erase controller after an ERASE SUSPEND operation.

The device must be in read array mode before the RESUME command will be accepted. An erase can be suspended and resumed more than once.



Block Protection Command Definitions – Address-Data Cycles

Table 12: Block Protection Command Definitions – Address-Data Cycles, 8-Bit and 16-Bit

Notes 1 and 2 apply to entire table

Command and Code/Subcode	Bus Size	Address and Data Cycles											Notes
		1st		2nd		3rd		4th		...	nth		
		A	D	A	D	A	D	A	D		A	D	
LOCK REGISTER Commands													
ENTER LOCK REGISTER COMMAND SET (40h)	x8	AAA	AA	555	55	AAA	40						3
	x16	555	AA	2AA	55	555							
PROGRAM LOCK REGISTER (A0h)	x8	X	A0	X	Data						5		
	x16												
READ LOCK REGISTER	x8	X	Data								4, 5, 6		
	x16												
PASSWORD PROTECTION Commands													
ENTER PASSWORD PROTECTION COMMAND SET (60h)	x8	AAA	AA	555	55	AAA	60						3
	x16	555	AA	2AA	55	555							
PROGRAM PASSWORD (A0h)	x8	X	A0	PWAn	PWDn						7		
	x16												
READ PASSWORD	x8	00	PWD0	01	PWD1	02	PWD2	03	PWD3	...	07	PWD7	4, 6, 8, 9
	x16	00	PWD0	01	PWD1	02	PWD2	03	PWD3				
UNLOCK PASSWORD (25h/03)	x8	00	25	00	03	00	PWD0	01	PWD1	...	00	29	8, 10
	x16												
NONVOLATILE PROTECTION Commands													
ENTER NONVOLATILE PROTECTION COMMAND SET (C0h)	x8	AAA	AA	555	55	AAA	C0						3
	x16	555	AA	2AA	55	555							
PROGRAM NONVOLATILE PROTECTION BIT (A0h)	x8	X	A0	BAd	00								
	x16												
READ NONVOLATILE PROTECTION BIT STATUS	x8	BAd	READ(0)								4, 6, 11		
	x16												
CLEAR ALL NONVOLATILE PROTECTION BITS (80/30h)	x8	X	80	00	30						12		
	x16												
NONVOLATILE PROTECTION BIT LOCK BIT Commands													
ENTER NONVOLATILE PROTECTION BIT LOCK BIT COMMAND SET (50h)	x8	AAA	AA	555	55	AAA	50						3
	x16	555	AA	2AA	55	555							
PROGRAM NONVOLATILE PROTECTION BIT LOCK BIT (A0h)	x8	X	A0	X	00						11		
	x16												



128Mb 3V Embedded Parallel NOR Flash Block Protection Command Definitions – Address-Data Cycles

Table 12: Block Protection Command Definitions – Address-Data Cycles, 8-Bit and 16-Bit (Continued)

Notes 1 and 2 apply to entire table

Command and Code/Subcode	Bus Size	Address and Data Cycles											Notes
		1st		2nd		3rd		4th		...	nth		
		A	D	A	D	A	D	A	D		A	D	
READ NONVOLATILE PROTECTION BIT LOCK BIT STATUS	x8	X	READ(0)									4, 6, 11	
	x16												
VOLATILE PROTECTION Commands													
ENTER VOLATILE PROTECTION COMMAND SET (E0h)	x8	AAA	AA	555	55	AAA	E0					3	
	x16	555	AA	2AA	55	555							
PROGRAM VOLATILE PROTECTION BIT (A0h)	x8	X	A0	BAd	00								
	x16												
READ VOLATILE PROTECTION BIT STATUS	x8	BAd	READ(0)								4, 6, 11		
	x16												
CLEAR VOLATILE PROTECTION BIT (A0h)	x8	X	A0	BAd	01								
	x16												
EXTENDED MEMORY BLOCK Commands													
ENTER EXTENDED MEMORY BLOCK (88h)	x8	AAA	AA	555	55	AAA	88					3	
	x16	555	AA	2AA	55	555							
EXIT EXTENDED MEMORY BLOCK (90/00h)	x8	AAA	AA	555	55	AAA	90	X	00				
	x16	555	AA	2AA	55	555							
EXIT PROTECTION Commands													
EXIT PROTECTION COMMAND SET (90/00h)	x8	X	90	X	00						3		
	x16												

- Notes:
- Key: A = Address and D = Data; X = "Don't Care;" BAd = any address in the block; PWDn = password bytes 0 to 7; PWA_n = password address, n = 0 to 7; Gray = not applicable. All values in the table are hexadecimal.
 - DQ[15:8] are "Don't Care" during UNLOCK and COMMAND cycles. A[_{MAX}:16] are "Don't Care" during UNLOCK and COMMAND cycles, unless an address is required.
 - The ENTER command sequence must be issued prior to any operation. It disables READ and WRITE operations from and to block 0. READ and WRITE operations from and to any other block are allowed. Also, when an ENTER COMMAND SET command is issued, an EXIT PROTECTION COMMAND SET command must be issued to return the device to READ mode.
 - READ REGISTER/PASSWORD commands have no command code; CE# and OE# are driven LOW and data is read according to a specified address.
 - Data = Lock register content.
 - All address cycles shown for this command are READ cycles.
 - Only one portion of the password can be programmed or read by each PROGRAM PASSWORD command.
 - Each portion of the password can be entered or read in any order as long as the entire 64-bit password is entered or read.

9. For the x8 READ PASSWORD command, the n th (and final) address cycle equals the 8th address cycle. From the 5th to the 8th address cycle, the values for each address and data pair continue the pattern shown in the table as follows: for x8, address and data = 04 and PWD4; 05 and PWD5; 06 and PWD6; 07 and PWD7.
10. For the x8 UNLOCK PASSWORD command, the n th (and final) address cycle equals the 11th address cycle. From the 5th to the 10th address cycle, the values for each address and data pair continue the pattern shown in the table as follows: address and data = 02 and PWD2; 03 and PWD3; 04 and PWD4; 05 and PWD5; 06 and PWD6; 07 and PWD7.

For the x16 UNLOCK PASSWORD command, the n th (and final) address cycle equals the 7th address cycle. For the 5th and 6th address cycles, the values for the address and data pair continue the pattern shown in the table as follows: address and data = 02 and PWD2; 03 and PWD3.

11. Both nonvolatile and volatile protection bit settings are as follows: Protected state = 00; Unprotected state = 01.
12. The CLEAR ALL NONVOLATILE PROTECTION BITS command programs all nonvolatile protection bits before erasure. This prevents over-erasure of previously cleared nonvolatile protection bits.

Protection Operations

Blocks can be protected individually against accidental PROGRAM, ERASE, or READ operations on both 8-bit and 16-bit configurations. The block protection scheme is shown in the Software Protection Scheme figure. Memory block and extended memory block protection is configured through the lock register.

LOCK REGISTER Commands

The ENTER LOCK REGISTER COMMAND SET (40h) command enables execution of all READ or PROGRAM LOCK REGISTER commands. PROGRAM LOCK REGISTER (A0h) configures the lock register, and READ LOCK REGISTER reads/confirms programmed data.

PASSWORD PROTECTION Commands

The ENTER PASSWORD PROTECTION COMMAND SET (60h) command enables execution of password protection commands. PROGRAM PASSWORD (A0h) programs the 64-bit password used in the password protection mode. To program the 64-bit password in 8-bit mode, the complete command sequence must be entered eight times at eight consecutive addresses selected by A[1:0] plus DQ15/A-1; in 16-bit mode, the command sequence must be entered four times at four consecutive addresses selected by A[1:0]. By default, all password bits are set to 1. The password can be checked by issuing a READ PASSWORD command.

READ PASSWORD verifies the password used in password protection mode. To verify the 64-bit password in 8-bit mode, the complete command sequence must be entered eight times at eight consecutive addresses selected by A[1:0] plus DQ15/A-1. In 16-bit mode, the command sequence must be entered four times at four consecutive addresses selected by A[1:0]. If the password mode lock bit is programmed, and a user attempts to read the password, the device outputs FFh.

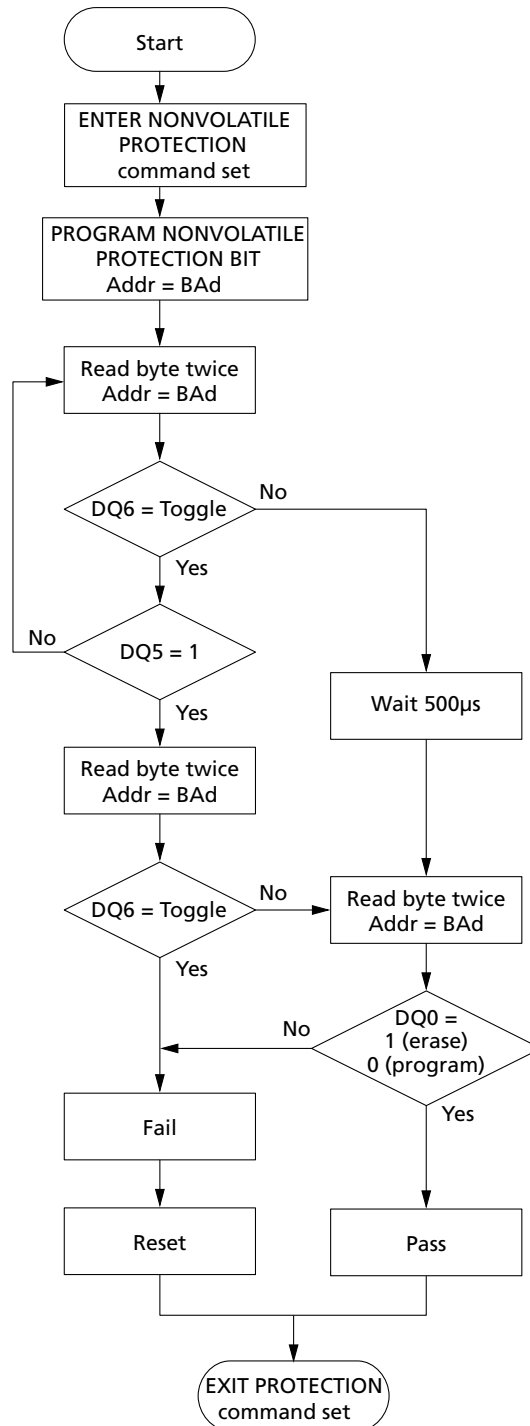
UNLOCK PASSWORD (25/03h) clears the nonvolatile protection bit lock bit, allowing the nonvolatile protection bits to be modified. UNLOCK PASSWORD must be issued with the correct password and requires a 1 μ s delay between successive UNLOCK PASSWORD commands. The delay helps prevent password intruders from trying all possible 64-bit combinations. If the delay does not occur, the latest command is ignored. After a valid 64-bit password is entered, approximately 1 μ s is required to unlock the device.

NONVOLATILE PROTECTION Commands

The ENTER NONVOLATILE PROTECTION COMMAND SET (C0h) command enables nonvolatile protection mode commands to be issued to the device. A block can be protected from PROGRAM or ERASE operations using a PROGRAM NONVOLATILE PROTECTION BIT (A0h) command, along with the block address. This command sets the nonvolatile protection bit to 0 for a given block.

The status of a nonvolatile protection bit for a given block or group of blocks can be read using a READ NONVOLATILE MODIFY PROTECTION BIT command, along with the block address. The nonvolatile protection bits are erased simultaneously using a CLEAR ALL NONVOLATILE PROTECTION BITS (80/30h) command. No specific block address is required. If the nonvolatile protection bit lock bit is set to 0, the command fails.

Figure 10: Program/Erase Nonvolatile Protection Bit Algorithm



NONVOLATILE PROTECTION BIT LOCK BIT Commands

After the ENTER NONVOLATILE PROTECTION BIT LOCK BIT COMMAND SET (50h) command has been issued, the commands that allow the nonvolatile protection bit lock bit to be set can be issued to the device.

The PROGRAM NONVOLATILE PROTECTION BIT LOCK BIT (A0h) command is used to set the nonvolatile protection bit lock bit to 0, thus locking the nonvolatile protection bits and preventing them from being modified.

The READ NONVOLATILE PROTECTION BIT LOCK BIT STATUS command is used to read the status of the nonvolatile protection bit lock bit.

VOLATILE PROTECTION Commands

After the ENTER VOLATILE PROTECTION COMMAND SET (E0h) command has been issued, commands related to the volatile protection mode can be issued to the device.

The PROGRAM VOLATILE PROTECTION BIT (A0h) command individually sets a volatile protection bit to 0 for a given block. If the nonvolatile protection bit for the same block is set, the block is locked regardless of the value of the volatile protection bit. (See the Block Protection Status table.)

The status of a volatile protection bit for a given block can be read by issuing a READ VOLATILE PROTECTION BIT STATUS command along with the block address.

The CLEAR VOLATILE PROTECTION BIT (A0h) command individually clears (sets to 1) the volatile protection bit for a given block. If the nonvolatile protection bit for the same block is set, the block is locked regardless of the value of the volatile protection bit. (See the Block Protection Status table.)

EXTENDED MEMORY BLOCK Commands

The device has one extra 128-word extended memory block that can be accessed only by the ENTER EXTENDED MEMORY BLOCK (88h) command. The extended memory block is 128 words (x16) or 256 bytes (x8). It is used as a security block to provide a permanent 128-bit security identification number or to store additional information. The device can be shipped with the extended memory block prelocked permanently by Micron, including the 128-bit security identification number. Or, the device can be shipped with the extended memory block unlocked, enabling customers to permanently program and lock it. (See Lock Register, the AUTO SELECT command, and the Block Protection table.)

Table 13: Extended Memory Block Address and Data

Address		Data	
x8	x16	Micron-Prelocked	Customer-Lockable
000000h–0000FFh	000000h–00007Fh	Secure ID number	Determined by customer

After the ENTER EXTENDED MEMORY BLOCK command has been issued, the device enters the extended memory block mode. All bus READ or PROGRAM operations are conducted on the extended memory block, and the extended memory block is addressed using the addresses occupied by block 0 in the other operating modes. (See the Memory Map table.)

In extended memory block mode, ERASE, CHIP ERASE, ERASE SUSPEND, and ERASE RESUME commands are not allowed. The extended memory block cannot be erased, and each bit of the extended memory block can only be programmed once.

The extended memory block is protected from further modification by programming lock register bit 0. Once invoked, this protection cannot be undone.

The device remains in extended memory block mode until the EXIT EXTENDED MEMORY BLOCK (90/00h) command is issued, which returns the device to read mode, or until power is removed from the device. After a power-up sequence or hardware reset, the device will revert to reading memory blocks in the main array.

EXIT PROTECTION Command

The EXIT PROTECTION COMMAND SET (90/00h) command is used to exit the lock register, password protection, nonvolatile protection, volatile protection, and nonvolatile protection bit lock bit command set modes and return the device to read mode.

Device Protection

Hardware Protection

The $V_{PP}/WP\#$ function provides a hardware method of protecting the highest or lowest block. When $V_{PP}/WP\#$ is LOW, PROGRAM and ERASE operations on either of these blocks is ignored to provide protection. When $V_{PP}/WP\#$ is HIGH, the device reverts to the previous protection status for the highest or lowest block. PROGRAM and ERASE operations can modify the data in this block unless the block is protected using block protection.

When $V_{PP}/WP\#$ protect is raised to V_{PPH} , the device automatically enters the unlock bypass mode, and command execution time is faster. This must never be done from any mode except read mode; otherwise, the device might be left in an indeterminate state.

A 0.1 μ F capacitor should be connected between $V_{PP}/WP\#$ and the V_{SS} ground pin to decouple the current surges from the power supply. The PCB track widths must be sufficient to carry the currents required during unlock bypass program.

When $V_{PP}/WP\#$ returns to HIGH or LOW, normal operation resumes. When operations execute in unlock bypass mode, the device draws I_{PP} from the pin to supply the programming circuits. Transitions from HIGH to V_{PPH} and from V_{PPH} to LOW must be slower than t_{VHVPP} .

Note: Micron highly recommends driving $V_{PP}/WP\#$ HIGH or LOW. If a system needs to float $V_{PP}/WP\#$, without a pull-up/pull-down resistor and no capacitor, then an internal pull-up resistor is enabled.

Table 14: $V_{PP}/WP\#$ Functions

$V_{PP}/WP\#$ Settings	Function
V_{IL}	Highest (29WxxxGH) or lowest (29WxxxGL) block is protected.
V_{IH}	Highest or lowest block is unprotected unless software protection is activated.
V_{PPH}	Unlock bypass mode supplies current necessary to speed up PROGRAM execution time.

Software Protection

Software protection includes volatile, nonvolatile, and password protection as well as password access. The device is shipped with all blocks unprotected. On first use, the device defaults to the nonvolatile protection mode but can be activated in either the nonvolatile protection or password protection mode.

The desired protection mode is activated by setting either the nonvolatile protection mode lock bit or the password protection mode lock bit of the lock register. (See the Lock Register section.) Both bits are one-time-programmable and nonvolatile; therefore, after the protection mode has been activated, it cannot be changed, and the device is set permanently to operate in the selected protection mode. It is recommended that the desired software protection mode be activated when first programming the device.

For the lowest and highest blocks, a higher level of block protection can be achieved by locking the blocks using nonvolatile protection mode and holding $V_{PP}/WP\#$ LOW.

Blocks with volatile protection and nonvolatile protection can coexist within the memory array. If the user attempts to program or erase a protected block, the device ignores the command and returns to read mode.

The block protection status can be read by performing a read electronic signature or by issuing an AUTO SELECT command. (See the Block Protection table.)

Refer to the Block Protection Status table and the Software Protection Scheme figure for details on the block protection scheme. Refer to the Protection Operations section for a description of the command sets.

Volatile Protection Mode

Volatile protection enables the software application to protect blocks against inadvertent change and can be disabled when changes are needed. Volatile protection bits are unique for each block and can be individually modified. Volatile protection bits control the protection scheme only for unprotected blocks whose nonvolatile protection bits are cleared to 1. Issuing a PROGRAM VOLATILE PROTECTION BIT or CLEAR VOLATILE PROTECTION BIT command sets to 0 or clears to 1 the volatile protection bits and places the associated blocks in the protected (0) or unprotected (1) state, respectively. The volatile protection bit can be set or cleared as often as needed.

When the device is first shipped, or after a power-up or hardware reset, the volatile protection bits default to 1 (unprotected).

Nonvolatile Protection Mode

A nonvolatile protection bit is assigned to each block. Each of these bits can be set for protection individually by issuing a PROGRAM NONVOLATILE PROTECTION BIT command. Also, each device has one global volatile bit called the nonvolatile protection bit lock bit; it can be set to protect all nonvolatile protection bits at once. This global bit must be set to 0 only after all nonvolatile protection bits are configured to the desired settings. When set to 0, the nonvolatile protection bit lock bit prevents changes to the state of the nonvolatile protection bits. When cleared to 1, the nonvolatile protection bits can be set and cleared using the PROGRAM NONVOLATILE PROTECTION BIT and CLEAR ALL NONVOLATILE PROTECTION BITS commands, respectively.

No software command unlocks the nonvolatile protection bit lock bit unless the device is in password protection mode; in nonvolatile protection mode, the nonvolatile protection bit lock bit can be cleared only by taking the device through a hardware reset or power-up.

Nonvolatile protection bits cannot be cleared individually; they must be cleared all at once using a CLEAR ALL NONVOLATILE PROTECTION BITS command. They will remain set through a hardware reset or a power-down/power-up sequence.

If one of the nonvolatile protection bits needs to be cleared (unprotected), additional steps are required. First, the nonvolatile protection bit lock bit must be cleared to 1, using either a power-cycle or hardware reset. Then, the nonvolatile protection bits can be changed to reflect the desired settings. Finally, the nonvolatile protection bit lock bit must be set to 0 to lock the nonvolatile protection bits. The device now will operate normally.

To achieve the best protection, the PROGRAM NONVOLATILE PROTECTION LOCK BIT command should be executed early in the boot code, and the boot code should be protected by holding $V_{pp}/WP\#$ LOW.

Nonvolatile protection bits and volatile protection bits have the same function when $V_{PP}/WP\#$ is HIGH or when $V_{PP}/WP\#$ is at the voltage for program acceleration (V_{PPH}).

Password Protection Mode

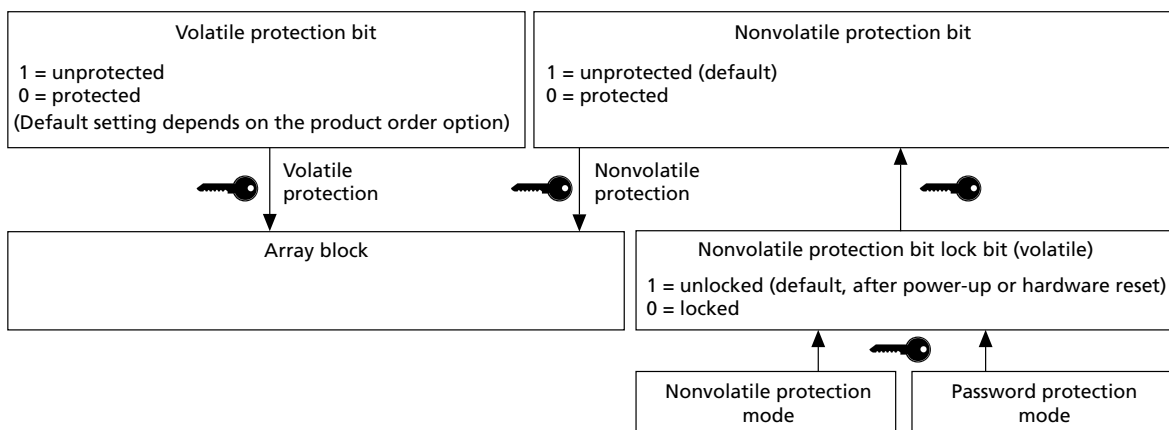
Password protection mode provides a higher level of security than the nonvolatile protection mode by requiring a 64-bit password to unlock the nonvolatile protection bit lock bit. In addition to this password requirement, the nonvolatile protection bit lock bit is set to 0 after power-up and reset to maintain the device in password protection mode.

Executing the UNLOCK PASSWORD command by entering the correct password clears the nonvolatile protection bit lock bit, enabling the block nonvolatile protection bits to be modified. If the password provided is incorrect, the nonvolatile protection bit lock bit remains locked, and the state of the nonvolatile protection bits cannot be modified.

To place the device in password protection mode, the following two steps are required: First, before activating the password protection mode, a 64-bit password must be set and the setting verified. Password verification is allowed only before the password protection mode is activated. Next, password protection mode is activated by programming the password protection mode lock bit to 0. This operation is irreversible. After the bit is programmed, it cannot be erased, the device remains permanently in password protection mode, and the 64-bit password can be neither retrieved nor reprogrammed. In addition, all commands to the address where the password is stored are disabled.

Note: There is no means to verify the password after password protection mode is enabled. If the password is lost after enabling the password protection mode, there is no way to clear the nonvolatile protection bit lock bit.

Figure 11: Software Protection Scheme



- Notes:
1. Volatile protection bits are programmed and cleared individually. Nonvolatile protection bits are programmed individually and cleared collectively.
 2. Once programmed to 0, the nonvolatile protection bit lock bit can be reset to 1 only by taking the device through a power-up or hardware reset.

Common Flash Interface

The common Flash interface (CFI) is a JEDEC-approved, standardized data structure that can be read from the Flash memory device. It allows a system's software to query the device to determine various electrical and timing parameters, density information, and functions supported by the memory. The system can interface easily with the device, enabling the software to upgrade itself when necessary.

When the READ CFI command is issued, the device enters CFI query mode and the data structure is read from memory. The following tables show the addresses (A-1, A[7:0]) used to retrieve the data. The query data is always presented on the lowest order data outputs (DQ[7:0]), and the other data outputs (DQ[15:8]) are set to 0.

Table 15: Query Structure Overview

Note 1 applies to the entire table

Address		Subsection Name	Description
x16	x8		
10h	20h	CFI query identification string	Command set ID and algorithm data offset
1Bh	36h	System interface information	Device timing and voltage information
27h	4Eh	Device geometry definition	Flash device layout
40h	80h	Primary algorithm-specific extended query table	Additional information specific to the primary algorithm (optional)
61h	C2h	Security code area	64-bit unique device number

Note: 1. Query data are always presented on the lowest order data outputs (DQ[7:0]). DQ[15:8] are set to 0.

Table 16: CFI Query Identification String

Note 1 applies to the entire table

Address		Data	Description	Value
x16	x8			
10h	20h	0051h	Query unique ASCII string "QRY"	"Q"
11h	22h	0052h		"R"
12h	24h	0059h		"Y"
13h	26h	0002h	Primary algorithm command set and control interface ID code 16-bit ID code defining a specific algorithm	Spansion compatible
14h	28h	0000h		
15h	2Ah	0040h	Address for primary algorithm extended query table (see the Primary Algorithm-Specific Extended Query Table)	P = 40h
16h	2Ch	0000h		
17h	2Eh	0000h	Alternate vendor command set and control interface ID code second vendor-specified algorithm supported	-
18h	30h	0000h		
19h	32h	0000h	Address for alternate algorithm extended query table	-
1Ah	34h	0000h		

Note: 1. Query data are always presented on the lowest order data outputs (DQ[7:0]). DQ[15:8] are set to 0.

Table 17: CFI Query System Interface Information

Note 1 applies to the entire table

Address		Data	Description	Value
x16	x8			
1Bh	36h	0027h	V _{CC} logic supply minimum program/erase voltage Bits[7:4] BCD value in volts Bits[3:0] BCD value in 100mV	2.7V
1Ch	38h	0036h	V _{CC} logic supply maximum program/erase voltage Bits[7:4] BCD value in volts Bits[3:0] BCD value in 100mV	3.6V
1Dh	3Ah	00B5h	V _{PPH} (programming) supply minimum program/erase voltage Bits[7:4] hex value in volts Bits[3:0] BCD value in 100mV	11.5V
1Eh	3Ch	00C5h	V _{PPH} (programming) supply maximum program/erase voltage Bits[7:4] hex value in volts Bits[3:0] BCD value in 100mV	12.5V
1Fh	3Eh	0004h	Typical timeout for single byte/word program = 2 ⁿ μs	16μs
20h	40h	0004h	Typical timeout for maximum size buffer program = 2 ⁿ μs	16μs
21h	42h	0009h	Typical timeout per individual block erase = 2 ⁿ ms	0.5s
22h	44h	0010h	Typical timeout for full chip erase = 2 ⁿ ms	40s
23h	46h	0004h	Maximum timeout for byte/word program = 2 ⁿ times typical	200μs
24h	48h	0004h	Maximum timeout for buffer program = 2 ⁿ times typical	200μs
25h	4Ah	0003h	Maximum timeout per individual block erase = 2 ⁿ times typical	2.3s
26h	4Ch	0004h	Maximum timeout for chip erase = 2 ⁿ times typical	400s

Note: 1. The values in this table are valid for both packages.

Table 18: Device Geometry Definition

Address		Data	Description	Value
x16	x8			
27h	4Eh	0018h	Device size = 2 ⁿ in number of bytes	16MB
28h	50h	0002h	Flash device interface code description	x8, x16 asynchronous
29h	52h	0000h		
2Ah	54h	0006h	Maximum number of bytes in multi-byte program or page = 2 ⁿ	64B
2Bh	56h	0000h		
2Ch	58h	0001h	Number of erase block regions. It specifies the number of regions containing contiguous erase blocks of the same size.	1
2Dh	5Ah	007Fh	Erase block region 1 information	128 block
2Eh	5Ch	0000h	Number of identical-size erase blocks = 007Fh + 1	
2Fh	5Eh	0000h	Erase block region 1 information	128KB
30h	60h	0002h	Block size in region 1 = 0200h × 256 bytes	

Table 18: Device Geometry Definition (Continued)

Address		Data	Description	Value
x16	x8			
31h	62h	0000h	Erase block region 2 information	0
32h	64h	0000h		
33h	66h	0000h		
34h	68h	0000h		
35h	6Ah	0000h	Erase block region 3 information	0
36h	6Ch	0000h		
37h	6Eh	0000h		
38h	70h	0000h		
39h	72h	0000h	Erase block region 4 information	0
3Ah	74h	0000h		
3Bh	76h	0000h		
3Ch	78h	0000h		

Table 19: Primary Algorithm-Specific Extended Query Table

Note 1 applies to the entire table

Address		Data	Description	Value
x16	x8			
40h	80h	0050h	Primary algorithm extended query table unique ASCII string "PRI"	"P"
41h	82h	0052h		"R"
42h	84h	0049h		"I"
43h	86h	0031h	Major version number, ASCII	"1"
44h	88h	0033h	Minor version number, ASCII	"3"
45h	8Ah	000Dh	Address sensitive unlock (bits[1:0]): 00 = Required 01 = Not required Silicon revision number (bits[7:2])	Yes 90nm
46h	8Ch	0002h	Erase suspend: 00 = Not supported 01 = Read only 02 = Read and write	2
47h	8Eh	0001h	Block protection: 00 = Not supported x = Number of blocks per group	1
48h	90h	0000h	Temporary block unprotect: 00 = Not supported 01 = Supported	00
49h	92h	0008h	Block protect/unprotect: 06 = M29W128GH/M29W128GL	06
4Ah	94h	0000h	Simultaneous operations: Not supported	–

Table 19: Primary Algorithm-Specific Extended Query Table (Continued)

Note 1 applies to the entire table

Address		Data	Description	Value
x16	x8			
48h	96h	0000h	Burst mode: 00 = Not supported 01 = Supported	00
4Ch	98h	0002h	Page mode: 00 = Not supported 02 = 8-word page	02
4Dh	9Ah	00B5h	V _{PPH} supply minimum program/erase voltage: Bits[7:4] hex value in volts Bits[3:0] BCD value in 100mV	11.5V
4Eh	9Ch	00C5h	V _{PPH} supply maximum program/erase voltage: Bits[7:4] hex value in volts Bits[3:0] BCD value in 100mV	12.5V
4Fh	9Eh	00xxh	Top/bottom boot block flag: xx = 04h: M29W128GL, first block protected by V _{PP} /W _P # xx = 05h: M29W128GH, last block protected by V _{PP} /W _P #	Uniform + V _{PP} /W _P # protect- ing highest or lowest block
50h	A0h	0001h	Program suspend: 00 = Not supported 01 = Supported	01

Note: 1. The values in this table are valid for both packages.

Table 20: Security Code Area

Address		Data	Description
x16	x8		
61h	C3h, C2h	XXXX	64-bit unique device number
62h	C5h, C4h	XXXX	
63h	C7h, C6h	XXXX	
64h	C9h, C8h	XXXX	

Power-Up and Reset Characteristics

Table 21: Power-Up Wait Timing Specifications

Parameter	Symbol	70ns or 60ns ¹	80ns	Unit	Notes
		Min	Min		
V _{CC} HIGH to CE# LOW	t _{VCH_{EL}}	55		μs	2
V _{CCQ} HIGH to CE# LOW	t _{VCQ_{HEL}}	55		μs	2
V _{CC} HIGH to WE# LOW	t _{VCH_{WL}}	500		μs	
V _{CCQ} HIGH to WE# LOW	t _{VCQ_{HWL}}	500		μs	

- Notes: 1. Only available upon customer request.
2. V_{CC} and V_{CCQ} ramps must be synchronized during power-up.

Figure 12: Power-Up Timing

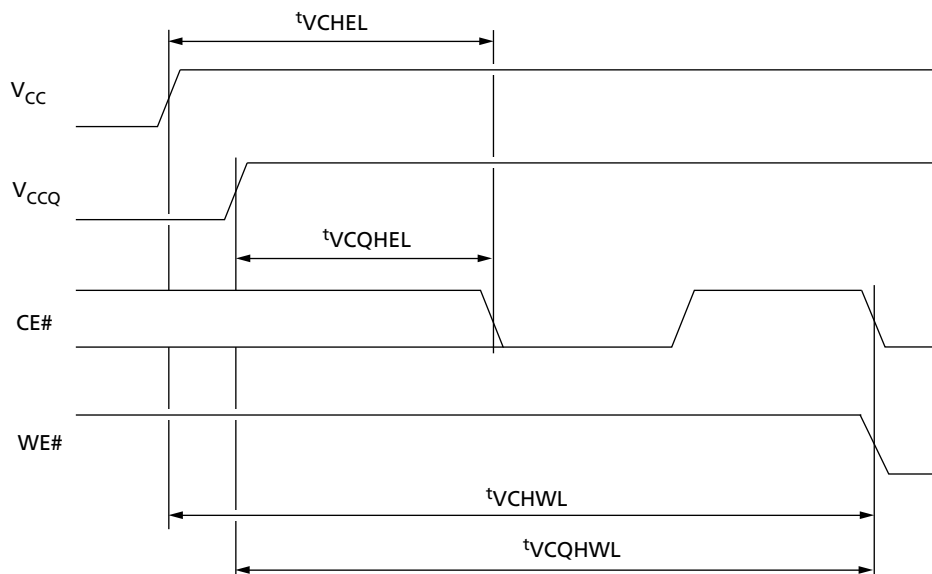


Table 22: Reset AC Characteristics

Condition/Parameter	Symbol		60ns ¹ , 70ns, 80ns		Unit	Notes
	Legacy	JEDEC	Min	Max		
RST# LOW to read mode during program or erase	t ^{READY}	t ^{PLRH}	–	50	μs	2
RST# pulse width	t ^{RP}	t ^{PLPH}	10	–	μs	
RST# HIGH to WE# LOW, CE# LOW, OE# LOW	t ^{RH}	t ^{PHEL} , t ^{PHGL} , t ^{PHWL}	50	–	ns	2
RST# LOW to standby mode during read mode	t ^{RPD}	–	10	–	μs	
RST# LOW to standby mode during program or erase			50	–	μs	
RB# HIGH to WE# LOW, CE# LOW, OE# LOW	t ^{RB}	t ^{RHEL} , t ^{RHGL} , t ^{RHWL}	0	–	ns	2

- Notes: 1. Only available upon customer request.
2. Sampled only; not 100% tested.

Figure 13: Reset AC Timing – No PROGRAM/ERASE Operation in Progress

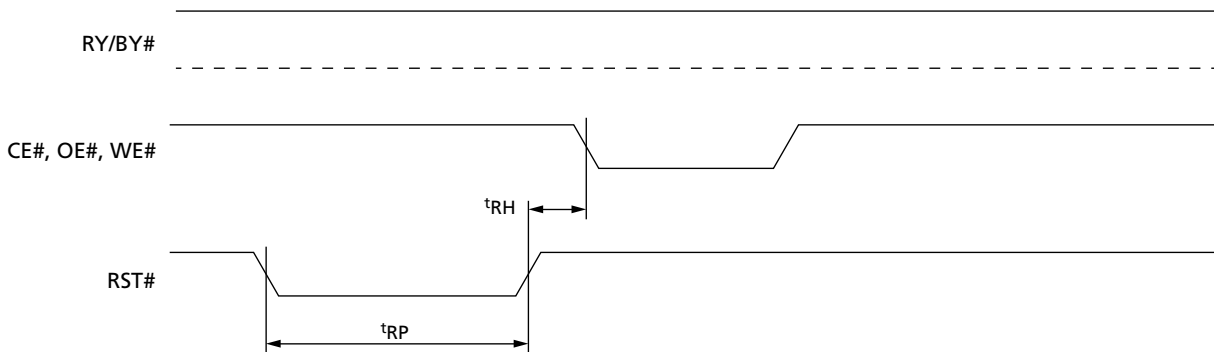
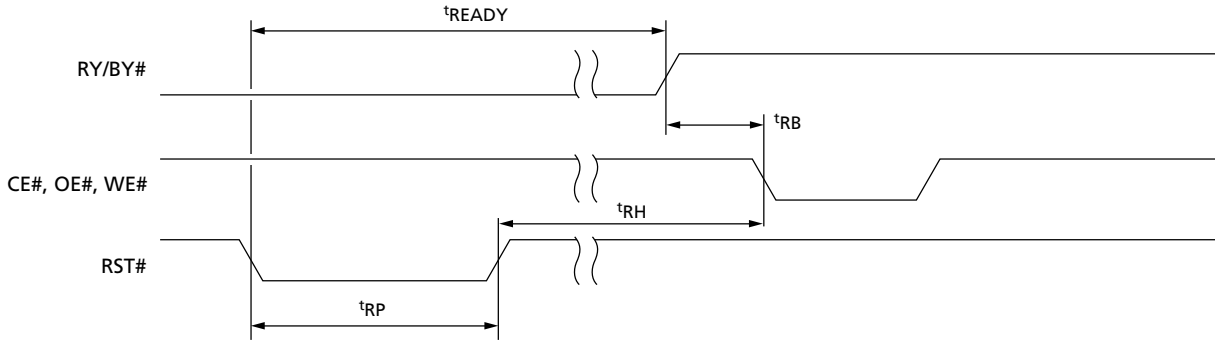


Figure 14: Reset AC Timing During PROGRAM/ERASE Operation



Absolute Ratings and Operating Conditions

Stresses greater than those listed may cause permanent damage to the device. This is a stress rating only, and functional operation of the device at these or any other conditions outside those indicated in the operational sections of this specification is not implied. Exposure to absolute maximum rating conditions for extended periods may adversely affect reliability.

Table 23: Absolute Maximum/Minimum Ratings

Parameter	Symbol	Min	Max	Unit	Notes
Temperature under bias	T_{BIAS}	-50	125	°C	
Storage temperature	T_{STG}	-65	150	°C	
Input/output voltage	V_{IO}	-0.6	$V_{CC} + 0.6$	V	1, 2
Supply voltage	V_{CC}	-0.6	4	V	
Input/output supply voltage	V_{CCQ}	-0.6	4	V	
Identification voltage	V_{ID}	-0.6	13.5	V	
Program voltage	V_{PPH}	-0.6	13.5	V	3

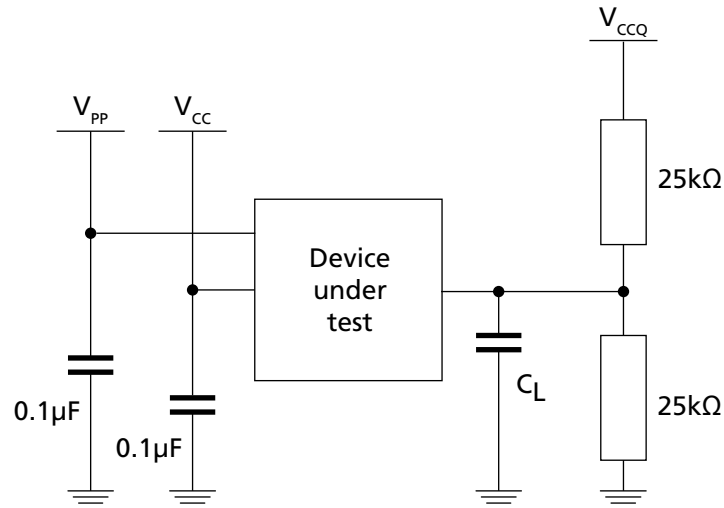
- Notes:
1. Minimum voltage may undershoot to -2V during transition and for less than 20ns during transitions.
 2. Maximum voltage may overshoot to $V_{CC} + 2V$ during transition and for less than 20ns during transitions.
 3. V_{PPH} must not remain at 12V for more than a total of 80 hours.

Table 24: Operating and AC Measurement Conditions

Parameter	Symbol	70ns or 60ns ¹		80ns		Unit
		Min	Max	Min	Max	
Supply voltage	V_{CC}	2.7	3.6	2.7	3.6	V
Input/output supply voltage	V_{CCQ}	2.7	3.6	1.65	3.6	V
Ambient operating temperature (range 1)	T_{A1}	0	70	0	70	°C
Ambient operating temperature (range 3)	T_{A3}	-40	125	-40	125	°C
Ambient operating temperature (range 6)	T_{A6}	-40	85	-40	85	°C
Load capacitance	C_L	30		30		pF
Input rise and fall times	-	-	10	-	10	ns
Input pulse voltages	-	0 to V_{CCQ}		0 to V_{CCQ}		V
Input/output timing reference voltages	-	$V_{CCQ}/2$		$V_{CCQ}/2$		V

- Note: 1. Only available upon customer request.

Figure 15: AC Measurement Load Circuit



Note: 1. C_L includes jig capacitance.

Figure 16: AC Measurement I/O Waveform

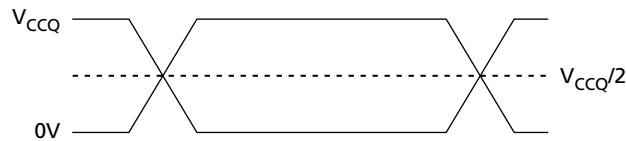


Table 25: Input/Output Capacitance

Sampled only, not 100% tested.

Parameter	Symbol	Test Condition	Min	Max	Unit
Input capacitance	C_{IN}	$V_{IN} = 0\text{V}$	–	6	pF
Output capacitance	C_{OUT}	$V_{OUT} = 0\text{V}$	–	12	pF

DC Characteristics

Table 26: DC Current Characteristics

Parameter	Symbol	Conditions	Min	Typ	Max	Unit	Notes	
Input leakage current	I_{LI}	$0V \leq V_{IN} \leq V_{CC}$	-	-	± 1	μA	1	
Output leakage current	I_{LO}	$0V \leq V_{OUT} \leq V_{CC}$	-	-	± 1	μA		
V_{CC} read current	Random read	I_{CC1} $CE\# = V_{IL}, OE\# = V_{IH},$ $f = 6 \text{ MHz}$	-	-	10	mA		
	Page read		$CE\# = V_{IL}, OE\# = V_{IH},$ $f = 10 \text{ MHz}$	-	-	15		mA
V_{CC} standby current	Grade 6	I_{CC2} $CE\# = V_{CCQ} \pm 0.2V$	-	-	100	μA	2	
	Grade 3		-	-	200	μA	2	
V_{CC} program/erase current		I_{CC3} Program/ erase controller active	$V_{PP}/WP\# = V_{IL}$ or V_{IH}	-	-	20	mA	3
			$V_{PP}/WP\# = V_{PPH}$	-	-	20	mA	
V_{PP} program current (program)	Read or standby Standby	I_{PP1}	$V_{PP}/WP\# \leq V_{CC}$		-	1	5	μA
	Reset	I_{PP2}	$RST\# = V_{SS} \pm 0.2V$		-	1	5	μA
	PROGRAM operation ongoing	I_{PP3}	$V_{PP}/WP\# = 12V \pm 5\%$		-	1	10	mA
			$V_{PP}/WP\# = V_{CC}$		-	1	5	μA
V_{PP} program current (erase)	ERASE operation ongoing	I_{PP4}	$V_{PP}/WP\# = 12V \pm 5\%$		-	3	10	mA
			$V_{PP}/WP\# = V_{CC}$		-	1	5	μA

- Notes:
1. The maximum input leakage current is $\pm 5\mu A$ on the $V_{PP}/WP\#$ pin.
 2. When the bus is inactive for $t_{AVQV} + 30\text{ns}$ or more, the memory enters automatic standby.
 3. Sampled only; not 100% tested.

Table 27: DC Voltage Characteristics

Parameter	Symbol	Conditions	Min	Typ	Max	Unit	Notes
Input LOW voltage	V_{IL}	$V_{CC} \geq 2.7V$	-0.5	-	$0.3V_{CCQ}$	V	
Input HIGH voltage	V_{IH}	$V_{CC} \geq 2.7V$	$0.7V_{CCQ}$	-	$V_{CCQ} + 0.4$	V	
Output LOW voltage	V_{OL}	$I_{OL} = 100\mu A,$ $V_{CC} = V_{CC,min},$ $V_{CCQ} = V_{CCQ,min}$	-	-	$0.15V_{CCQ}$	V	
Output HIGH voltage	V_{OH}	$I_{OH} = 100\mu A,$ $V_{CC} = V_{CC,min},$ $V_{CCQ} = V_{CCQ,min}$	$0.85V_{CCQ}$	-	-	V	
Identification voltage	V_{ID}	-	11.5	-	12.5	V	
Voltage for $V_{PP}/WP\#$ program acceleration	V_{PPH}	-	11.4	-	12.6	V	
Program/erase lockout supply voltage	V_{LKO}	-	1.8	-	2.5	V	1

Note: 1. Sampled only; not 100% tested.

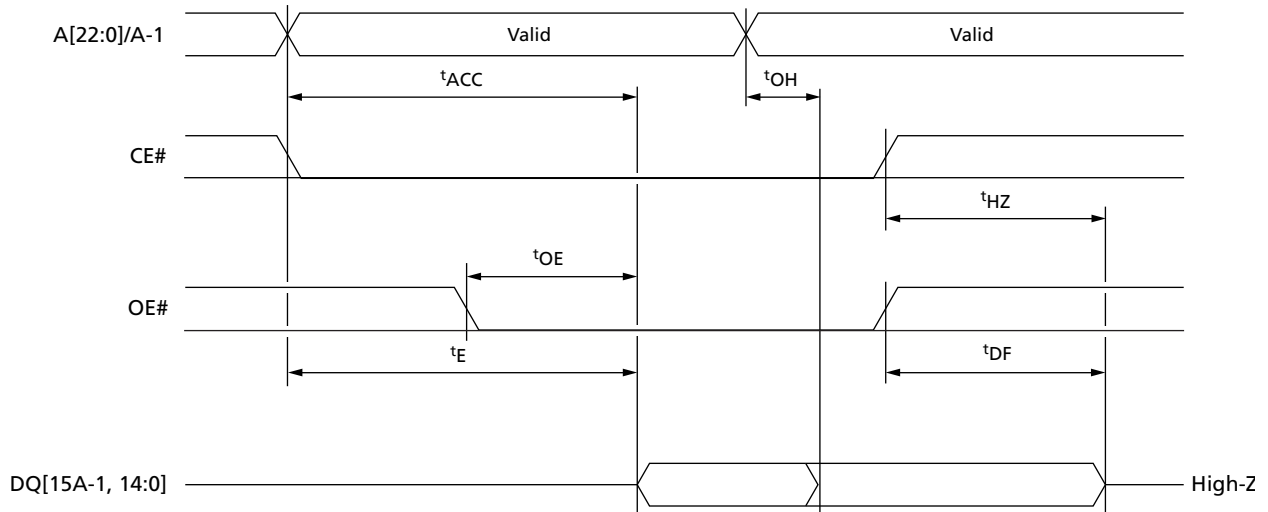
Read AC Characteristics

Table 28: Read AC Characteristics

Parameter	Symbol		Condition	60ns ¹ V _{CCQ} = V _{CC}		70ns V _{CCQ} = V _{CC}		80ns V _{CCQ} = 1.65V to V _{CC}		Unit	Notes
	Legacy	JEDEC		Min	Max	Min	Max	Min	Max		
	Address valid to next address valid	^t RC		^t AVAV	CE# = V _{IL} , OE# = V _{IL}	60	–	70	–		
Address valid to output valid	^t ACC	^t AVQV	CE# = V _{IL} , OE# = V _{IL}	–	60	–	70	–	80	ns	
Address valid to output valid (page)	^t PAGE	^t AVQV1	CE# = V _{IL} , OE# = V _{IL}	–	25	–	25	–	30	ns	
CE# LOW to output transition	^t LZ	^t ELQX	OE# = V _{IL}	0	–	0	–	0	–	ns	2
CE# LOW to output valid	^t E	^t ELQV	OE# = V _{IL}	–	60	–	70	–	80	ns	
OE# LOW to output transition	^t OLZ	^t GLQX	CE# = V _{IL}	0	–	0	–	0	–	ns	2
OE# LOW to output valid	^t OE	^t GLQV	CE# = V _{IL}	–	25	–	25	–	30	ns	
CE# HIGH to output High-Z	^t HZ	^t EHQZ	OE# = V _{IL}	–	20	–	20	–	30	ns	2
OE# HIGH to output High-Z	^t DF	^t GHQZ	CE# = V _{IL}	–	20	–	20	–	20	ns	2
CE#, OE#, or address transition to output transition	^t OH	^t EHQX, ^t GHQX, ^t AXQX	–	0	–	0	–	0	–	ns	
CE# to BYTE# LOW	^t ELFL	^t ELBL	–	–	5	–	5	–	5	ns	
CE# to BYTE# HIGH	^t ELFH	^t ELBH	–	–	5	–	5	–	5	ns	
BYTE# LOW to output High-Z	^t FLQZ	^t BLQZ	–	–	25	–	25	–	25	ns	
BYTE# HIGH to output valid	^t FHQV	^t BHQV	–	–	30	–	30	–	30	ns	

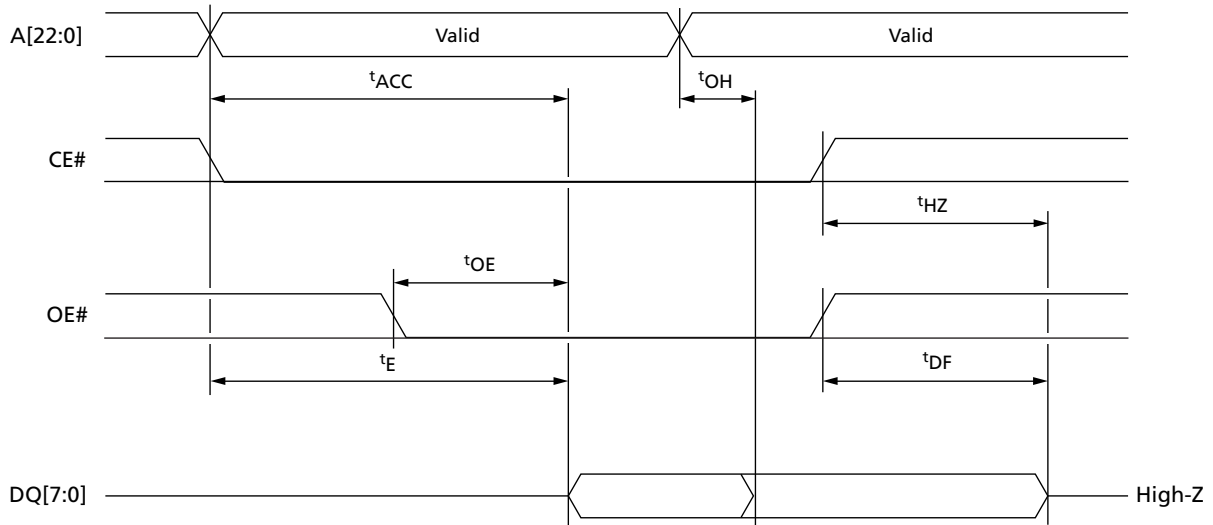
- Notes: 1. Only available upon customer request.
2. Sampled only; not 100% tested.

Figure 17: Random Read AC Timing (8-Bit Mode)



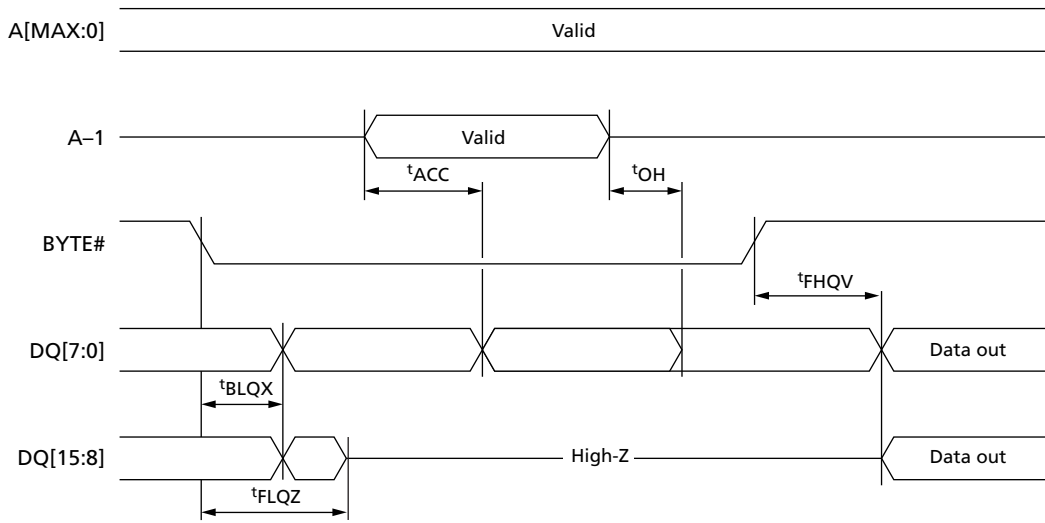
Note: 1. BYTE# = V_{IL}

Figure 18: Random Read AC Timing (16-Bit Mode)



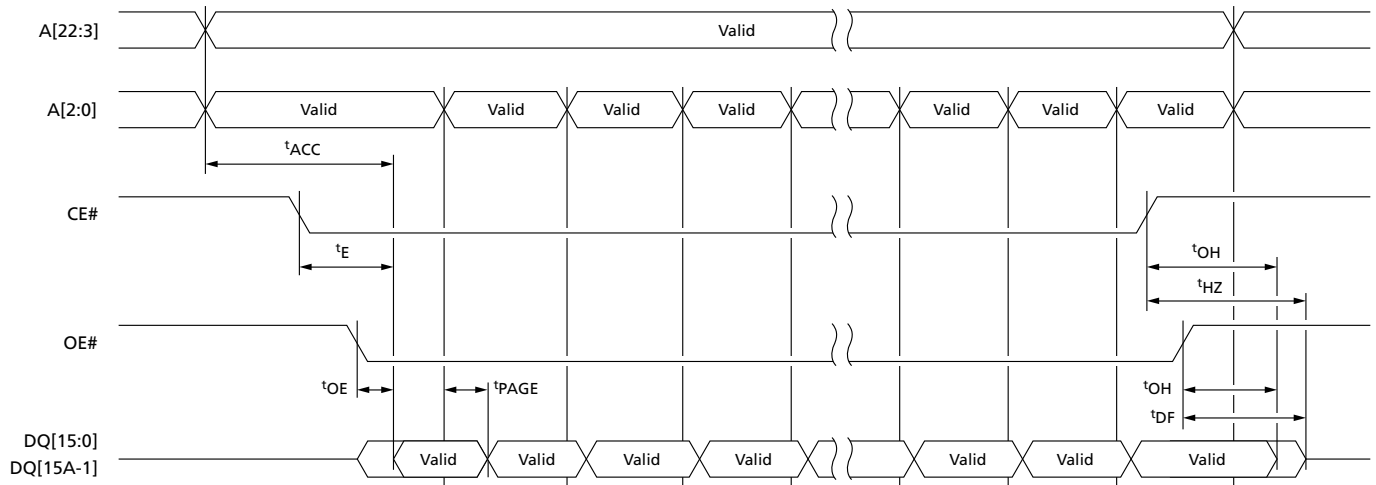
Note: 1. BYTE# = V_{IH}

Figure 19: BYTE Transition AC Timing



Note: 1. CE# and OE# = V_{IL}

Figure 20: Page Read AC Timing (16-Bit Mode)



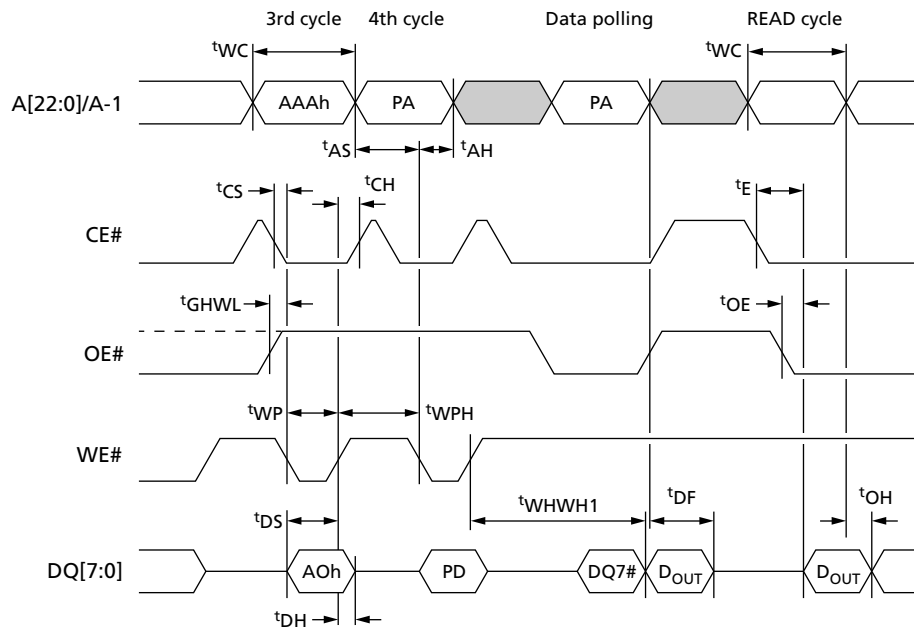
Write AC Characteristics

Table 29: WE#-Controlled Write AC Characteristics

Parameter	Symbol		60ns ¹ V _{CCQ} = V _{CC}		70ns V _{CCQ} = V _{CC}		80ns V _{CCQ} = 1.65V to V _{CC}		Unit	Notes
	Legacy	JEDEC	Min	Max	Min	Max	Min	Max		
Address valid to next address valid	t ^{WC}	t ^{AVAV}	65	–	70	–	80	–	ns	
CE# LOW to WE# LOW	t ^{CS}	t ^{ELWL}	0	–	0	–	0	–	ns	
WE# LOW to WE# HIGH	t ^{WP}	t ^{WLWH}	35	–	35	–	35	–	ns	
Input valid to WE# HIGH	t ^{DS}	t ^{DVWH}	45	–	45	–	45	–	ns	2
WE# HIGH to input transition	t ^{DH}	t ^{WHDX}	0	–	0	–	0	–	ns	
WE# HIGH to CE# HIGH	t ^{CH}	t ^{WHEH}	0	–	0	–	0	–	ns	
WE# HIGH to WE# LOW	t ^{WPH}	t ^{WHWL}	30	–	30	–	30	–	ns	
Address valid to WE# LOW	t ^{AS}	t ^{AVWL}	0	–	0	–	0	–	ns	
WE# LOW to address transition	t ^{AH}	t ^{WLAX}	45	–	45	–	45	–	ns	
OE# HIGH to WE# LOW	–	t ^{GHWL}	0	–	0	–	0	–	ns	
WE# HIGH to OE# LOW	t ^{OEH}	t ^{WHGL}	0	–	0	–	0	–	ns	
Program/erase valid to RY/BY# LOW	t ^{BUSY}	t ^{WHRL}	–	30	–	30	–	30	ns	2
V _{CC} HIGH to CE# LOW	t ^{VCS}	t ^{VCHEL}	50	–	50	–	50	–	μs	

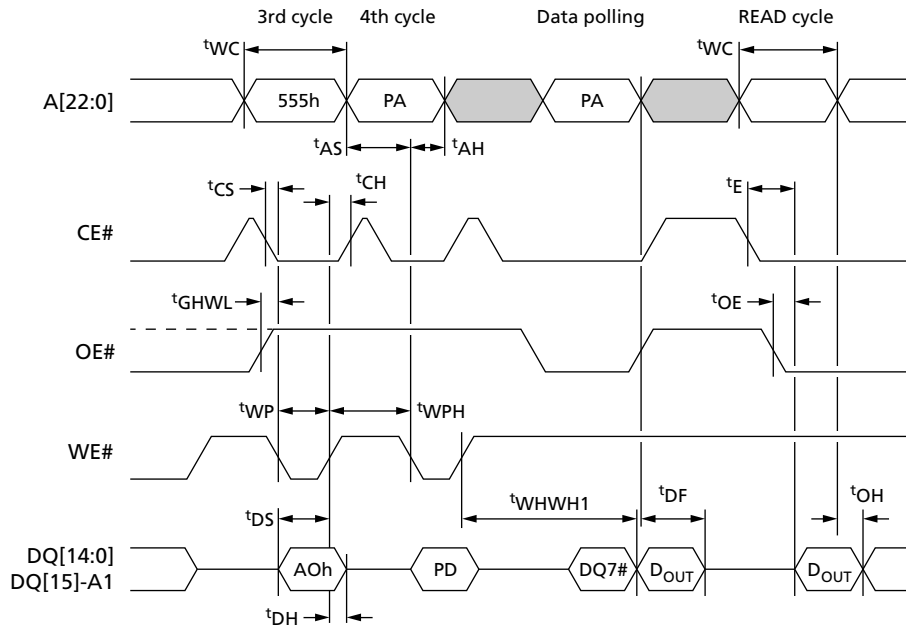
- Notes: 1. Only available upon customer request.
2. Sampled only; not 100% tested.

Figure 21: WE#-Controlled Program AC Timing (8-Bit Mode)



- Notes:
1. Only the third and fourth cycles of the PROGRAM command are represented. The PROGRAM command is followed by checking of the status register data polling bit and by a READ operation that outputs the data (D_{OUT}) programmed by the previous PROGRAM command.
 2. PA is the address of the memory location to be programmed. PD is the data to be programmed.
 3. DQ7 is the complement of the data bit being programmed to DQ7 (See Data Polling Bit [DQ7]).
 4. See the following tables for timing details: Read AC Characteristics, WE#-Controlled Write AC Characteristics, and CE#-Controlled Write AC Characteristics.

Figure 22: WE#-Controlled Program AC Timing (16-Bit Mode)



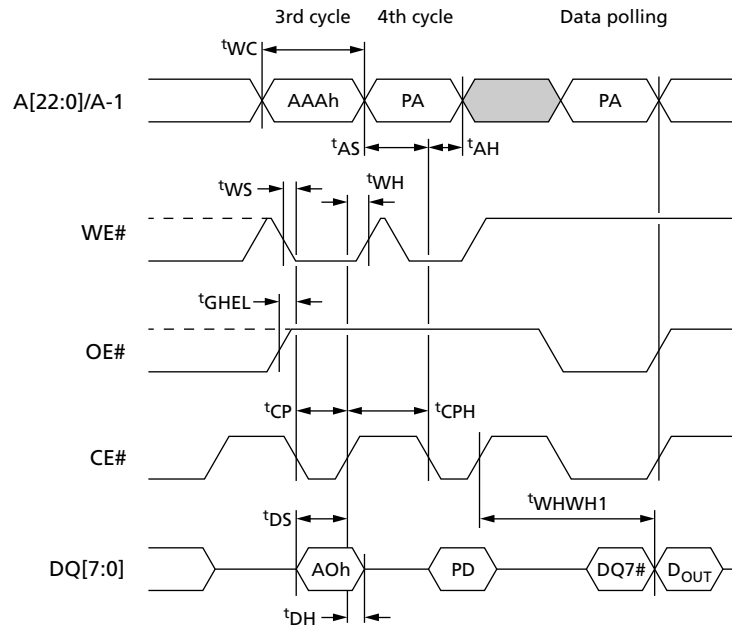
- Notes:
1. Only the third and fourth cycles of the PROGRAM command are represented. The PROGRAM command is followed by checking of the status register data polling bit and by a READ operation that outputs the data (D_{OUT}) programmed by the previous PROGRAM command.
 2. PA is the address of the memory location to be programmed. PD is the data to be programmed.
 3. DQ7 is the complement of the data bit being programmed to DQ7 (See Data Polling Bit [DQ7]).
 4. See the following tables for timing details: Read AC Characteristics, WE#-Controlled Write AC Characteristics, and CE#-Controlled Write AC Characteristics.

Table 30: CE#-Controlled Write AC Characteristics

Parameter	Symbol		60ns ¹ V _{CCQ} = V _{CC}		70ns V _{CCQ} = V _{CC}		80ns V _{CCQ} = 1.65V to V _{CC}		Unit
	Legacy	JEDEC	Min	Max	Min	Max	Min	Max	
Address valid to next address valid	t ^{WC}	t ^{AVAV}	65	–	70	–	80	–	ns
WE# LOW to CE# LOW	t ^{WS}	t ^{WLEL}	0	–	0	–	0	–	ns
CE# LOW to CE# HIGH	t ^{CP}	t ^{ELEH}	35	–	35	–	35	–	ns
Input valid to CE# HIGH	t ^{DS}	t ^{DVEH}	45	–	45	–	45	–	ns
CE# HIGH to input transition	t ^{DH}	t ^{EHDX}	0	–	0	–	0	–	ns
CE# HIGH to WE# HIGH	t ^{WH}	t ^{EHWH}	0	–	0	–	0	–	ns
CE# HIGH to CE# LOW	t ^{CPH}	t ^{EHEL}	30	–	30	–	30	–	ns
Address valid to CE# LOW	t ^{AS}	t ^{AVEL}	0	–	0	–	0	–	ns
CE# LOW to address transition	t ^{AH}	t ^{ELAX}	45	–	45	–	45	–	ns
OE# HIGH to CE# LOW	–	t ^{GHEL}	0	–	0	–	0	–	ns

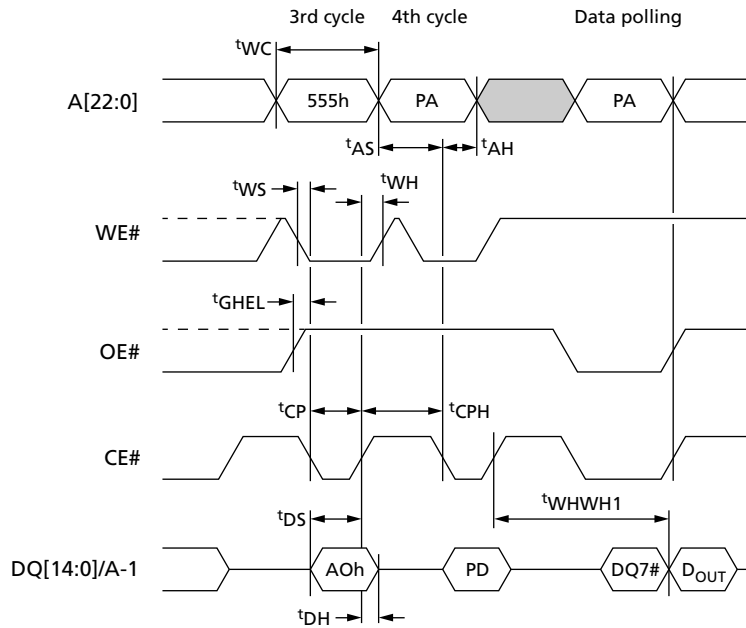
Note: 1. Only available upon customer request.

Figure 23: CE#-Controlled Program AC Timing (8-Bit Mode)



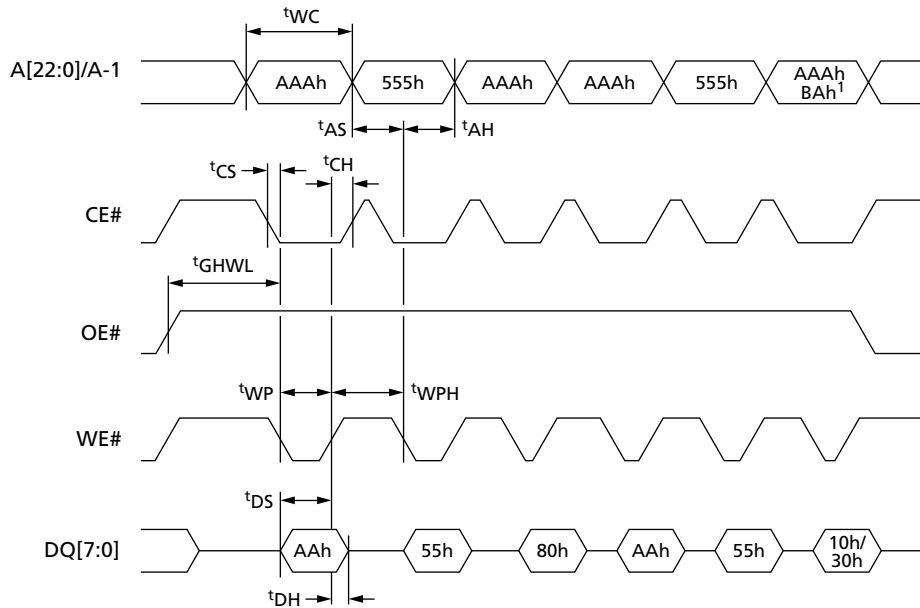
- Notes:
1. Only the third and fourth cycles of the PROGRAM command are represented. The PROGRAM command is followed by checking of the status register data polling bit.
 2. PA is the address of the memory location to be programmed. PD is the data to be programmed.
 3. DQ7 is the complement of the data bit being programmed to DQ7 (See Data Polling Bit [DQ7]).
 4. See the following tables for timing details: Read AC Characteristics, WE#-Controlled Write AC Characteristics, and CE#-Controlled Write AC Characteristics.

Figure 24: CE#-Controlled Program AC Timing (16-Bit Mode)



- Notes:
1. Only the third and fourth cycles of the PROGRAM command are represented. The PROGRAM command is followed by checking of the status register data polling bit.
 2. PA is the address of the memory location to be programmed. PD is the data to be programmed.
 3. DQ7 is the complement of the data bit being programmed to DQ7 (See Data Polling Bit [DQ7]).
 4. See the following tables for timing details: Read AC Characteristics, WE#-Controlled Write AC Characteristics, and CE#-Controlled Write AC Characteristics.

Figure 25: Chip/Block Erase AC Timing (8-Bit Mode)



- Notes:
1. For a CHIP ERASE command, addresses and data are AAAh and 10h, respectively, while they are BAh and 30h for a BLOCK ERASE command.
 2. BAh is the block address.
 3. See the following tables for timing details: Read AC Characteristics, WE#-Controlled Write AC Characteristics, and CE#-Controlled Write AC Characteristics.

Accelerated Program, Data Polling/Toggle AC Characteristics

Table 31: Accelerated Program and Data Polling/Data Toggle AC Characteristics

Parameter	Symbol		60ns ¹ , 70ns, 80ns		Unit
	Legacy	JEDEC	Min	Max	
V _{pp} /WP# rising or falling time	–	^t VHVPP	250	–	ns
Address setup time to OE# LOW during toggle bit polling	^t ASO	^t AXGL	10	–	ns
Address hold time from OE# during toggle bit polling	^t AHT	^t GHAX, ^t EHAX	10	–	ns
CE# HIGH during toggle bit polling	^t EPH	^t EHEL2	10	–	ns
Output hold time during data and toggle bit polling	^t OEH	^t WHGL2, ^t GHGL2	20	–	ns
Program/erase valid to RY/BY# LOW	^t BUSY	^t WHRL	–	30	ns

Note: 1. Only available upon customer request.

Figure 26: Accelerated Program AC Timing

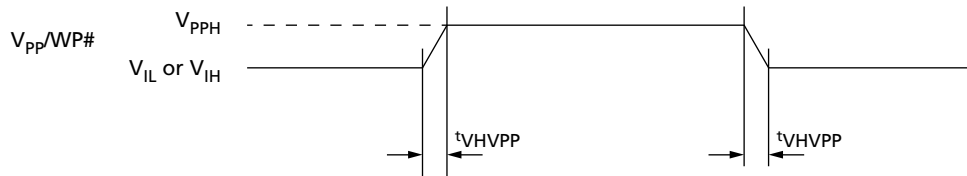
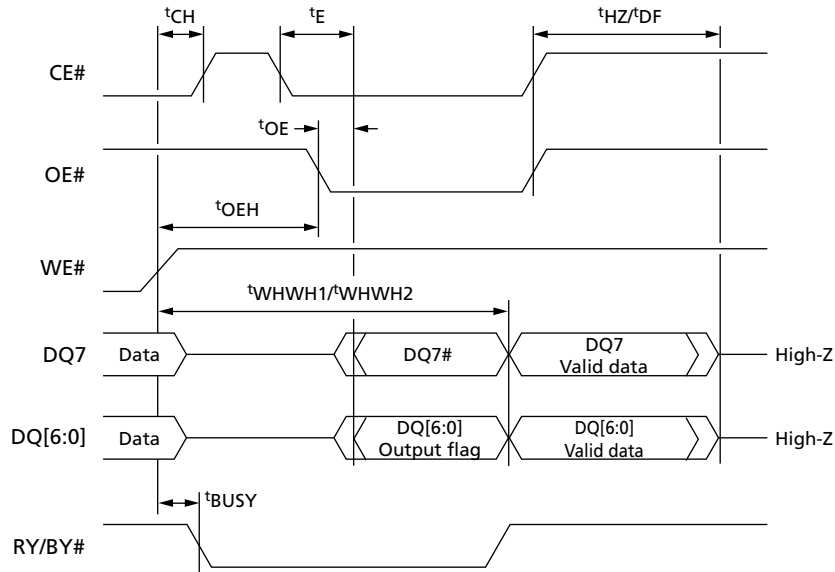
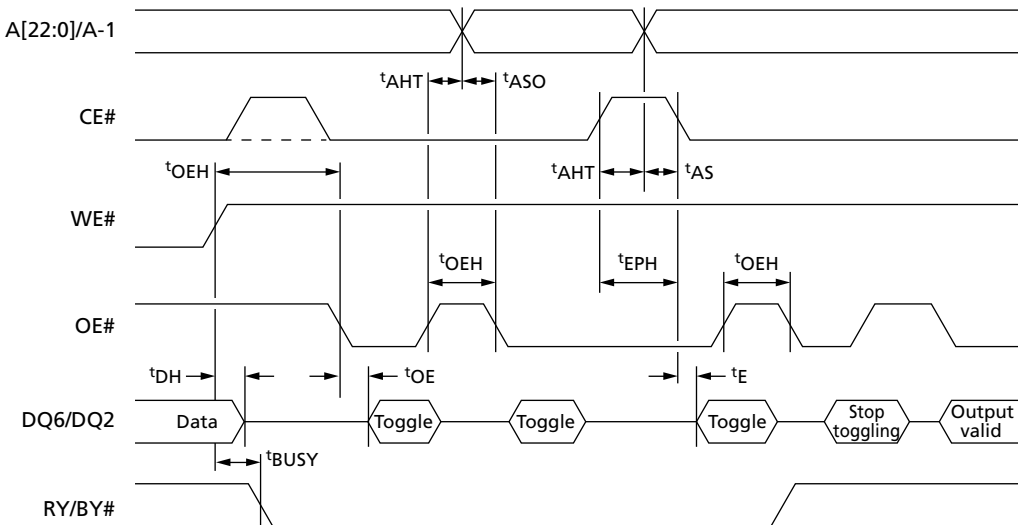


Figure 27: Data Polling AC Timing



- Notes: 1. DQ7 returns a valid data bit when the PROGRAM or ERASE command has completed.
2. See the following tables for timing details: Read AC Characteristics, Accelerated Program and Data Polling/Data Toggle AC Characteristics.

Figure 28: Toggle/Alternative Toggle Bit Polling AC Timing (8-Bit Mode)



- Notes: 1. DQ6 stops toggling when the PROGRAM or ERASE command has completed. DQ2 stops toggling when the CHIP ERASE or BLOCK ERASE command has completed.
2. See the following tables for timing details: Read AC Characteristics, Accelerated Program and Data Polling/Data Toggle AC Characteristics.

Program/Erase Characteristics

Table 32: Program/Erase Characteristics

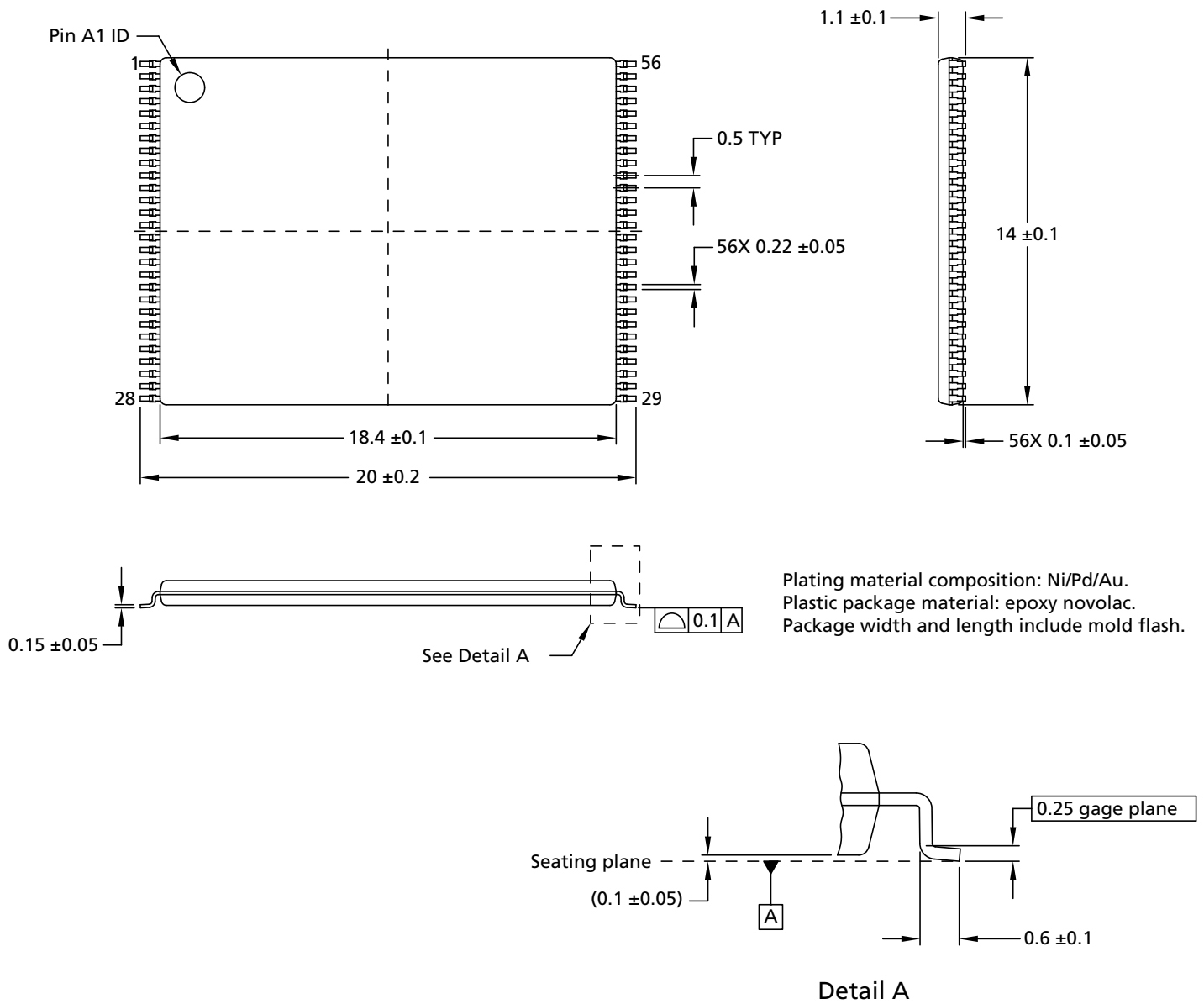
Notes 1 and 2 apply to the entire table

Parameter		Min	Typ	Max	Unit	Notes
Chip erase		–	40	400	s	3
Block erase (128KB)		–	0.5	2	s	4
Erase suspend latency time		–	25	45	μs	
Block erase timeout		50	–	–	μs	
Byte program	Single-byte program	–	16	200	μs	3
	Write to buffer program (64 bytes at a time)	$V_{pp}/WP\# = V_{ppH}$	–	51	200	μs
$V_{pp}/WP\# = V_{IH}$		–	78	200	μs	3
Word program	Single-word program	–	16	200	μs	3
	Write to buffer program (32 words at a time)	$V_{pp}/WP\# = V_{ppH}$	–	51	200	μs
$V_{pp}/WP\# = V_{IH}$		–	78	200	μs	3
Chip program (byte by byte)		–	270	800	s	3
Chip program (word by word)		–	135	400	s	3
Chip program (write to buffer program)		–	20	200	s	3, 5
Chip program (write to buffer program with $V_{pp}/WP\# = V_{ppH}$)		–	13	50	s	3, 5
Chip program (enhanced buffered program)		–	8	40	s	5
Chip program (enhanced buffered program with $V_{pp}/WP\# = V_{ppH}$)		–	5	25	s	5
Program suspend latency time		–	5	15	μs	
PROGRAM/ERASE cycles (per block)		100,000	–	–	cycles	
Data retention		20	–	–	years	

- Notes:
1. Typical values measured at room temperature and nominal voltages and for not cycled devices.
 2. Sampled, but not 100% tested.
 3. Maximum value measured at worst case conditions for both temperature and V_{CC} after 100,000 PROGRAM/ERASE cycles.
 4. Block erase polling cycle time (see Data polling AC waveforms figure).
 5. Intrinsic program timing, that means without the time required to execute the bus cycles to load the PROGRAM commands.

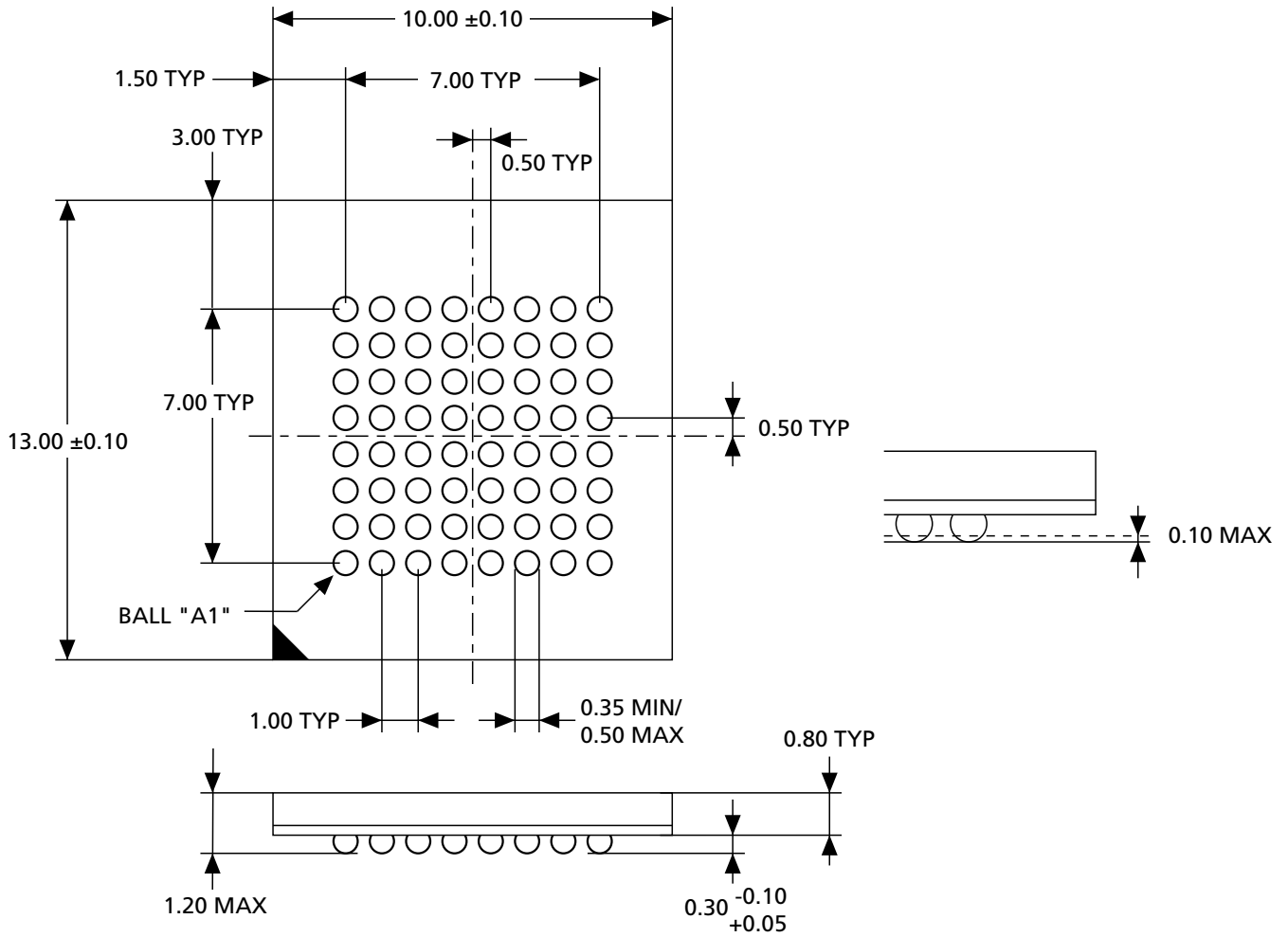
Package Dimensions

Figure 29: 56-Pin TSOP – 14mm x 20mm



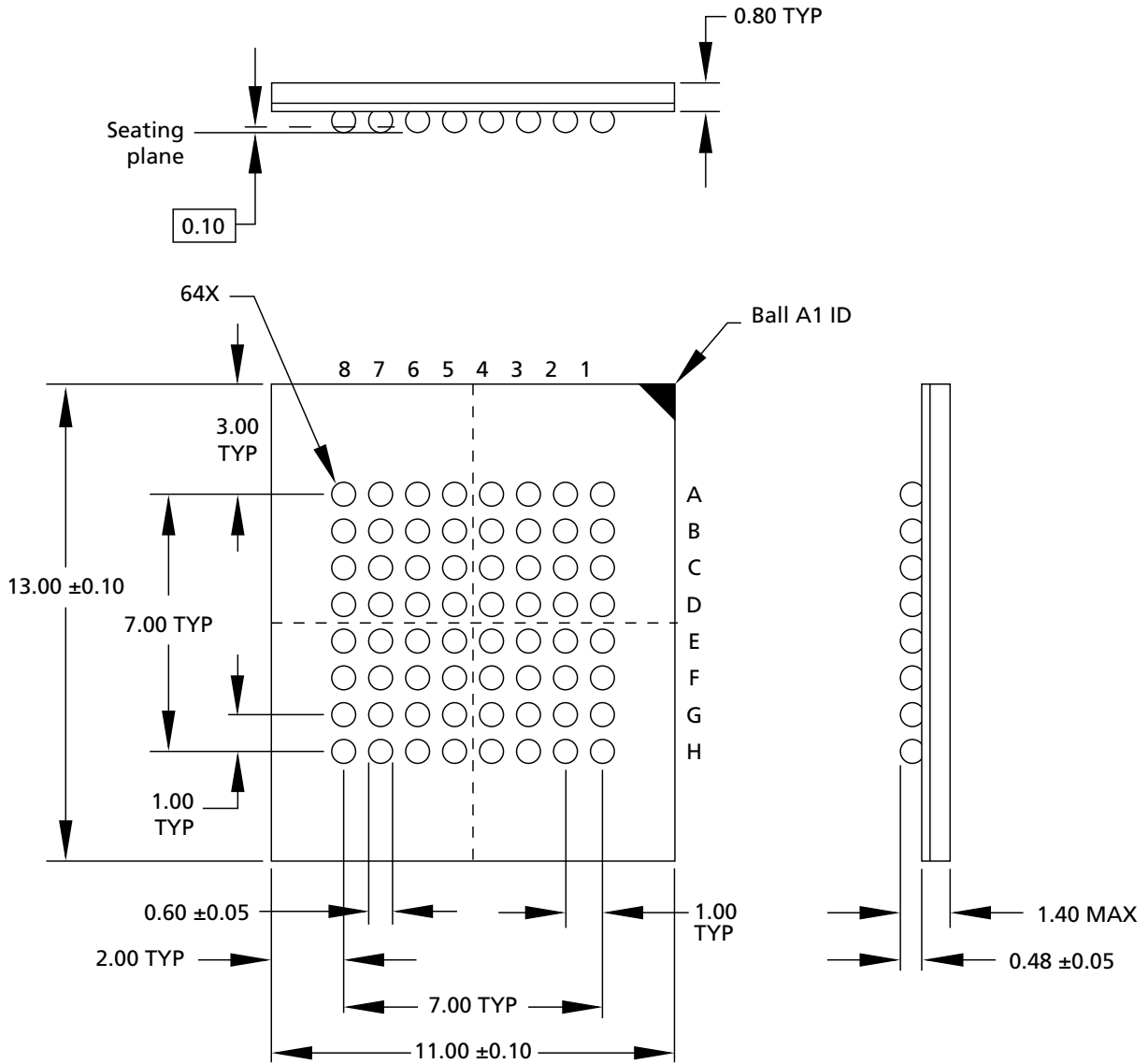
- Notes:
1. All dimensions are in millimeters.
 2. For the lead width value of 0.22 ± 0.05 , there is also a legacy value of 0.15 ± 0.05 .

Figure 30: 64-Ball TBGA – 10mm x 13mm



Note: 1. All dimensions are in millimeters.

Figure 31: 64-Ball FBGA – 11mm x 13mm



Note: 1. All dimensions are in millimeters.

Revision History

Rev. C – 05/18

- Added Important Notes and Warnings section for further clarification aligning to industry standards

Rev. B – 05/15

- Updated TSOP package

Rev. A – 07/13

- Initial Micron brand release

8000 S. Federal Way, P.O. Box 6, Boise, ID 83707-0006, Tel: 208-368-4000
www.micron.com/products/support Sales inquiries: 800-932-4992
Micron and the Micron logo are trademarks of Micron Technology, Inc.
All other trademarks are the property of their respective owners.

This data sheet contains minimum and maximum limits specified over the power supply and temperature range set forth herein. Although considered final, these specifications are subject to change, as further product development and data characterization sometimes occur.

Looking for pricing, stock, or lifecycle information?

Click below to explore more details on WIN SOURCE:

- ⊖ [View M29W128GL70N6F TR on WIN SOURCE](#)
- ⊖ [Micron Technology Inc. Information](#)

Optimize Your Supply Chain with WIN SOURCE Solutions

- ✓ Global Sourcing Solution
- ✓ Obsolete Management
- ✓ Cost Control Management
- ✓ Shortage Management
- ✓ Alternative Solution
- ✓ Excess Inventory Management