

120V_{IN}, 150 mA, Ultra-Low I_Q, High PSRR, Automotive Linear Regulator

Features

- AEC-Q100 Qualified
- Wide Input Voltage Range: 6V to 120V DC
- Ultra-Low Quiescent Current: 8 μ A
- 150 mA Guaranteed Output Current
- Adjustable Output from 1.23V to 5.5V
- Stable with Ceramic Capacitors
- Ultra-High PSRR (75 dB at 10 kHz)
- Ultra-High Line Rejection (Load Dump)
- High Output Accuracy:
 - \pm 3% Initial Accuracy
- Thermal Shutdown and Current Limit Protection
- Thermally Efficient, 8-Lead ePad SOIC Package

Applications

- Automotive
- Industrial
- Remote Keyless Entry
- Telecom
- Offline Power Supplies

Package Type

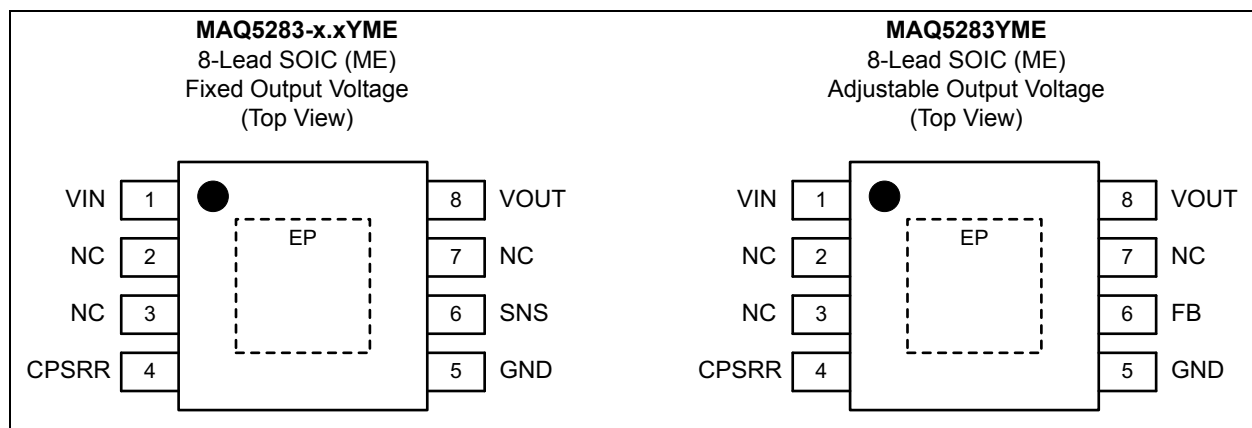
General Description

The MAQ5283 high-performance linear regulator offers a very wide input operating voltage range, up to 120V DC, and supplies an output current of up to 150 mA.

The MAQ5283 is ideal for high input voltage applications, such as automotive, industrial, and telecom, because it offers \pm 3% initial accuracy, extremely high power supply rejection ratio (75 dB at 10 kHz) and an ultra-low quiescent current of 8 μ A. The MAQ5283 is optimized for high-voltage line transients, making it ideal for harsh environment applications.

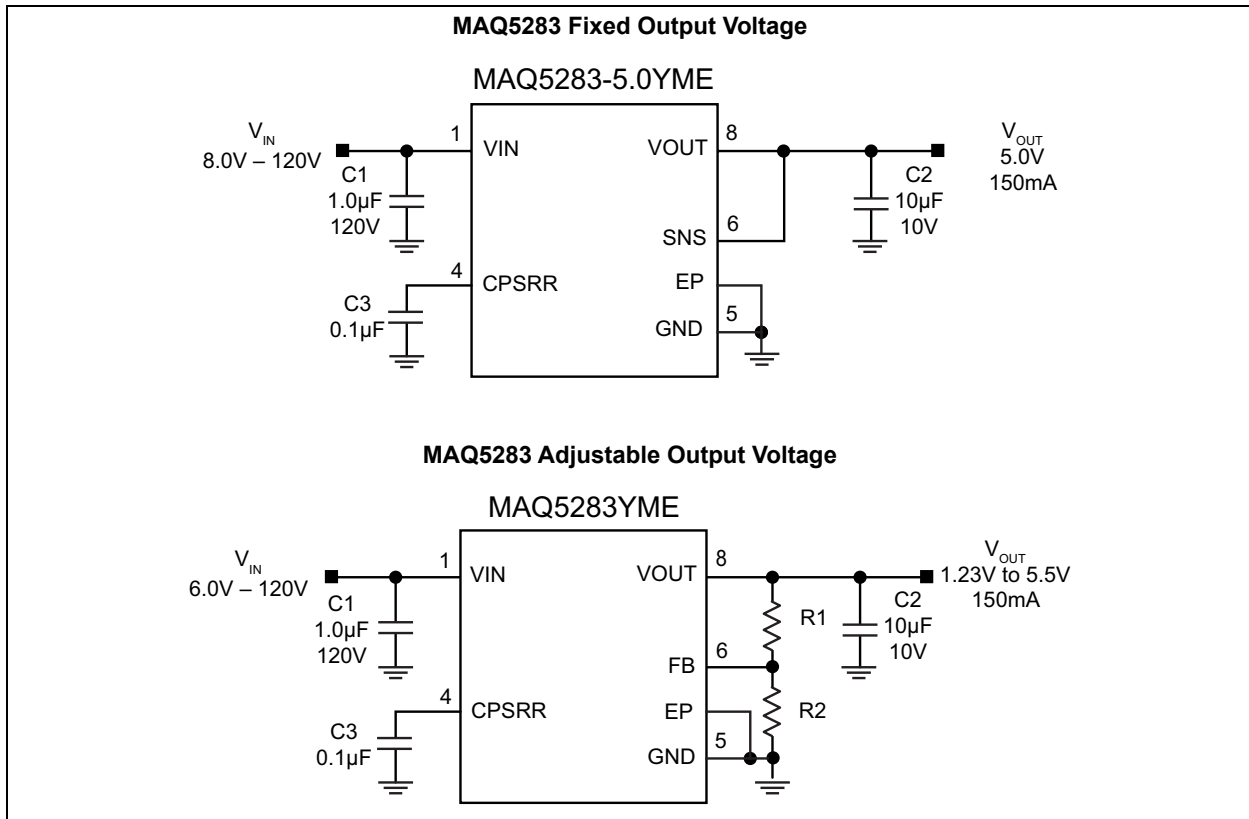
The MAQ5283 is offered in both fixed output voltage (3.3V or 5.0V) and adjustable output voltage (1.23V to 5.5V) options.

The MAQ5283 operates over a -40°C to $+125^{\circ}\text{C}$ temperature range and is available in a lead-free, RoHS-compliant, ePad SOIC-8 package.

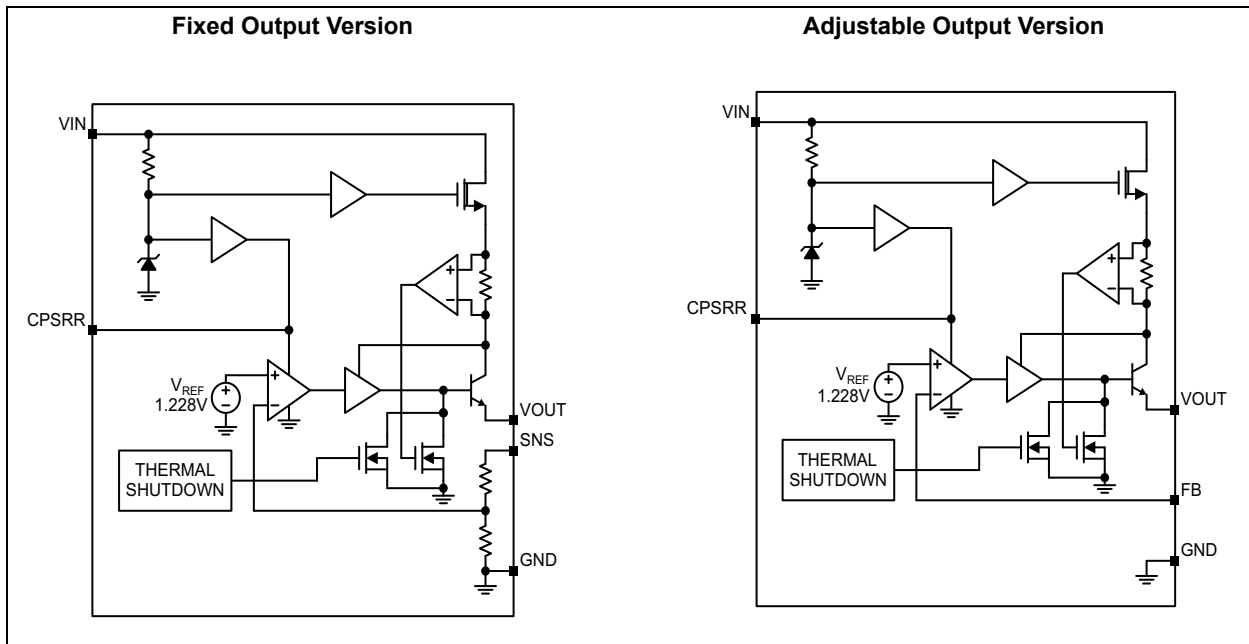


MAQ5283

Typical Application Circuits



Functional Block Diagrams



1.0 ELECTRICAL CHARACTERISTICS

Absolute Maximum Ratings †

V_{IN} to GND	-0.3V to +125V
V_{CPSRR} to GND	-0.3 to +14V
V_{FB} , V_{SNS} , V_{OUT} to GND	-0.3V to +6V
ESD Ratings (Note 1)	
HBM	2 kV
MM	200V

Operating Ratings ††

V_{IN}	+6V to +120V
V_{OUT} Adjust Range	+1.23V to +5.5V
Power Dissipation (P_D)	Internally Limited (Note 2)

† **Notice:** Exceeding an absolute maximum rating may damage the device.

†† **Notice:** The device is not guaranteed to function outside its operating rating.

Note 1: Device is ESD sensitive; use proper handling precautions. Human body model, 1.5 k Ω in series with 100 pF.

2: The maximum allowable power dissipation at any T_A (ambient temperature) is $P_{D(MAX)} = (T_{J(MAX)} - T_A)/\theta_{JA}$. Exceeding the maximum allowable power dissipation results in excessive die temperature and causes the regulator to enter thermal shutdown.

ELECTRICAL CHARACTERISTICS

Electrical Characteristics: $V_{IN} = 12V$, $C_{IN} = 1.0 \mu F$, $C_{PSRR} = 0.1 \mu F$, $C_{OUT} = 10 \mu F$, $I_{OUT} = 100 \mu A$, $T_J = +25^\circ C$, **bold** values indicate $-40^\circ C \leq T_J \leq +125^\circ C$, unless noted. [Note 1](#)

Parameter	Sym.	Min.	Typ.	Max.	Units	Conditions
Power Supply Input						
Input Voltage Range	V_{IN}	6	—	120	V	—
Quiescent Supply Current	I_Q	—	8	14	μA	$I_{OUT} = 0$
Output Voltage						
Output Voltage Accuracy		-5	—	5	%	Variation from nominal V_{OUT} , $100 \mu A \leq I_{OUT} \leq 150 mA$
Line Regulation		-0.5	0.04	0.5	%	$V_{IN} = 10V$ to $120V$
Feedback Input (Adjustable)						
FB Voltage	V_{FB}	1.167	1.228	1.289	V	$100 \mu A \leq I_{OUT} \leq 150 mA$
FB Current	I_{FB}	—	3.2	—	nA	—
Current Limit						
Current Limit	I_{LIM}	180	300	500	mA	$V_{OUT} = 0V$
Ripple Rejection						
Power Supply Rejection Ratio	PSRR	—	70	—	dB	$I_{OUT} = 50 mA$, $100 Hz \leq f \leq 1 kHz$
		—	75	—		$I_{OUT} = 50 mA$, $1 kHz < f \leq 30 kHz$
		—	65	—		$I_{OUT} = 50 mA$, $30 kHz < f \leq 100 kHz$
Power Dropout Voltage						
Dropout Voltage	V_{DO}	—	1.8	2.8	V	$I_{OUT} = 150 mA$

Note 1: Specification for packaged product only.

MAQ5283

ELECTRICAL CHARACTERISTICS (CONTINUED)

Electrical Characteristics: $V_{IN} = 12V$, $C_{IN} = 1.0 \mu F$, $C_{PSRR} = 0.1 \mu F$, $C_{OUT} = 10 \mu F$, $I_{OUT} = 100 \mu A$, $T_J = +25^\circ C$, **bold** values indicate $-40^\circ C \leq T_J \leq +125^\circ C$, unless noted. [Note 1](#)

Parameter	Sym.	Min.	Typ.	Max.	Units	Conditions
Thermal Protection						
Thermal Shutdown Temperature	T_{SHDN}	—	155	—	$^\circ C$	T_J rising
Thermal Shutdown Hysteresis		—	15	—	$^\circ C$	—

Note 1: Specification for packaged product only.

TEMPERATURE SPECIFICATIONS

Parameters	Sym.	Min.	Typ.	Max.	Units	Conditions
Temperature Ranges						
Junction Temperature Range	T_J	-40	—	+125	$^\circ C$	—
Storage Temperature Range	T_S	-65	—	+150	$^\circ C$	—
Lead Temperature	—	—	260	—	$^\circ C$	Soldering, 10 sec.
Package Thermal Resistances						
Thermal Resistance, 8-Lead ePad SOIC	θ_{JA}	—	41	—	$^\circ C/W$	—

Note 1: The maximum allowable power dissipation is a function of ambient temperature, the maximum allowable junction temperature and the thermal resistance from junction to air (i.e., T_A , T_J , θ_{JA}). Exceeding the maximum allowable power dissipation will cause the device operating junction temperature to exceed the maximum +125 $^\circ C$ rating. Sustained junction temperatures above +125 $^\circ C$ can impact the device reliability.

2.0 TYPICAL PERFORMANCE CURVES

Note: The graphs and tables provided following this note are a statistical summary based on a limited number of samples and are provided for informational purposes only. The performance characteristics listed herein are not tested or guaranteed. In some graphs or tables, the data presented may be outside the specified operating range (e.g., outside specified power supply range) and therefore outside the warranted range.

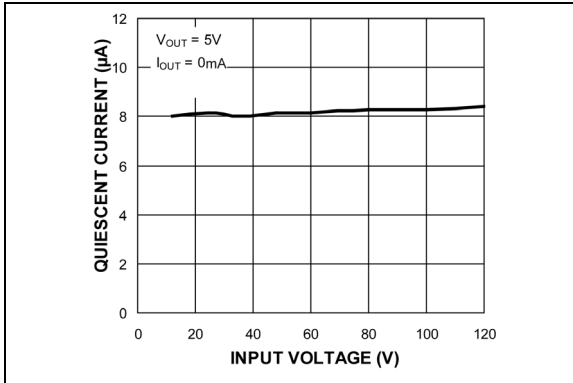


FIGURE 2-1: Quiescent Supply Current vs. Input Voltage.

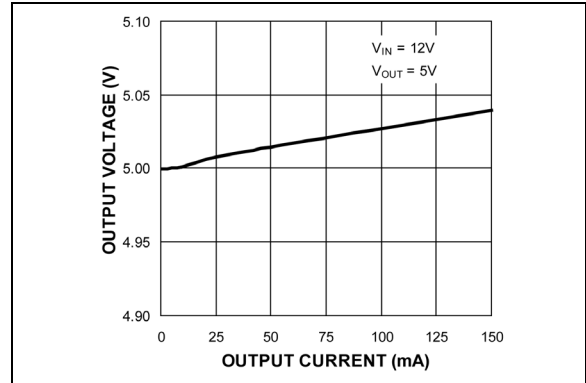


FIGURE 2-4: Output Voltage vs. Output Current.

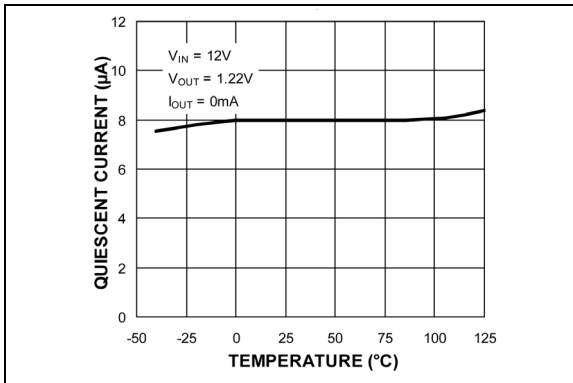


FIGURE 2-2: Quiescent Supply Current vs. Temperature.

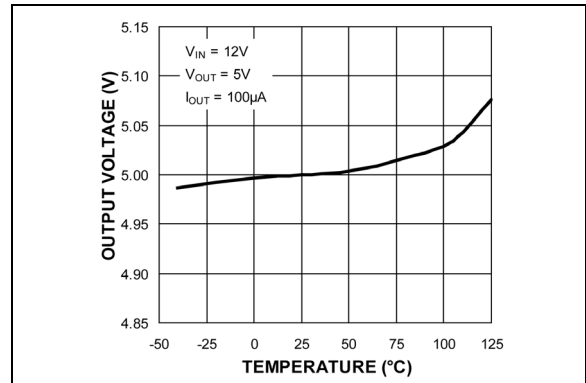


FIGURE 2-5: Output Voltage vs. Temperature.

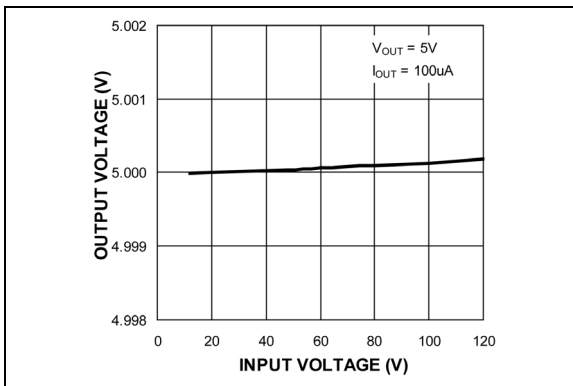


FIGURE 2-3: Output Voltage vs. Input Voltage.

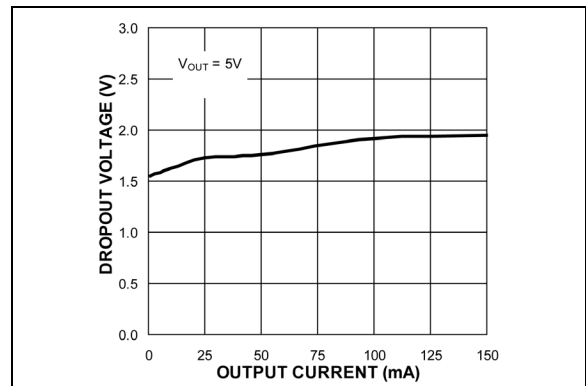


FIGURE 2-6: Dropout Voltage vs. Output Current.

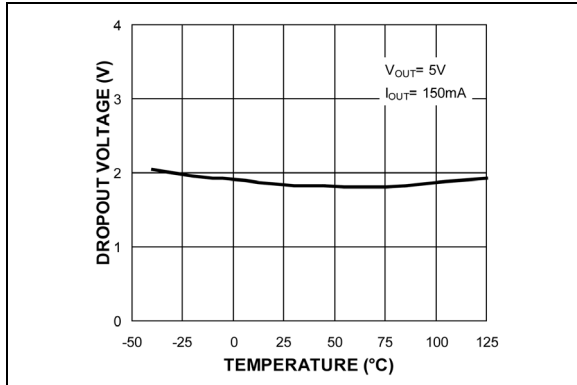


FIGURE 2-7: Dropout Voltage vs. Temperature.

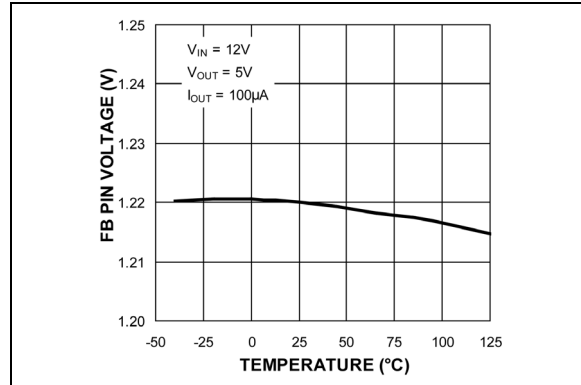


FIGURE 2-10: Feedback Pin Voltage vs. Temperature.

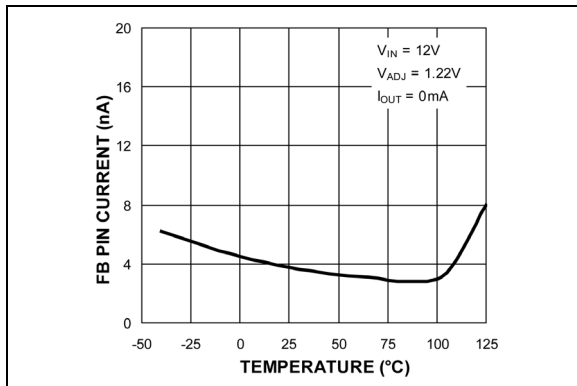


FIGURE 2-8: Feedback Pin Current vs. Temperature.

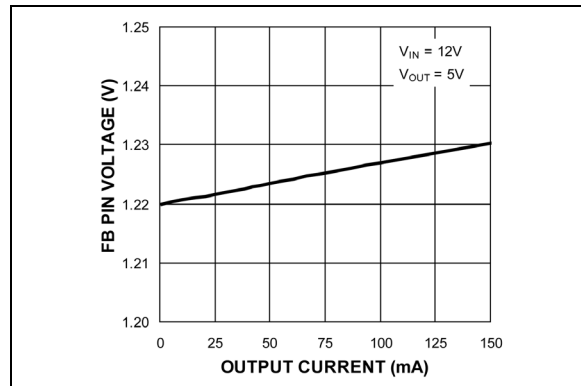


FIGURE 2-11: Feedback Pin Voltage vs. Output Current.

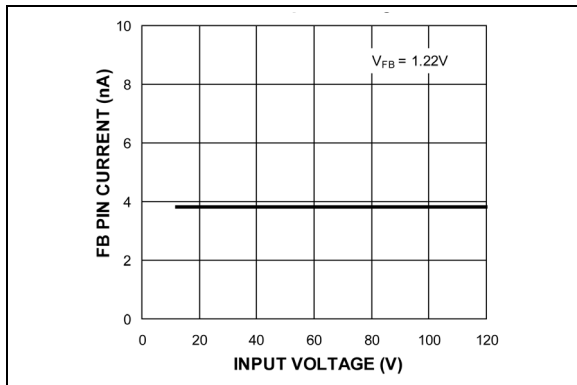


FIGURE 2-9: Feedback Pin Current vs. Input Voltage.

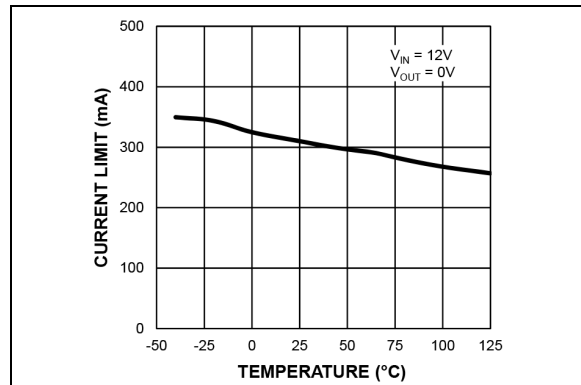


FIGURE 2-12: Current Limit vs. Temperature.

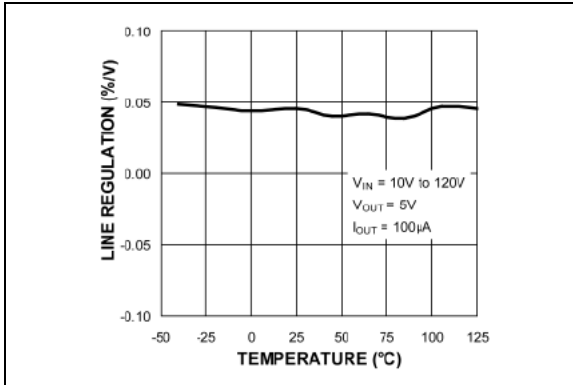


FIGURE 2-13: Line Regulation vs. Temperature.

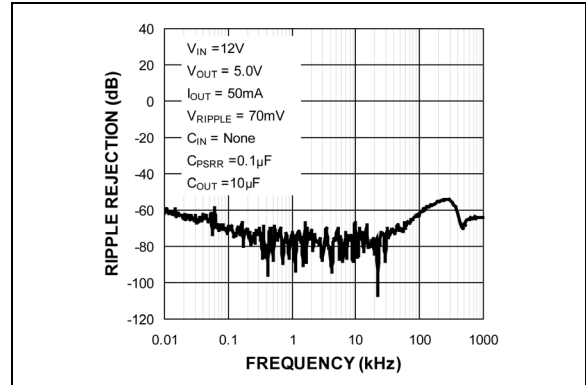


FIGURE 2-16: PSRR vs. Frequency.

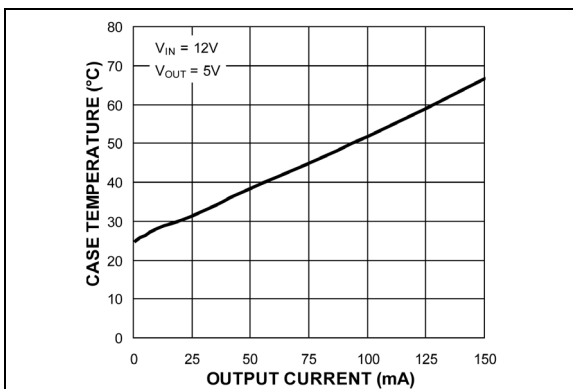


FIGURE 2-14: Case Temperature* vs. Output Current.

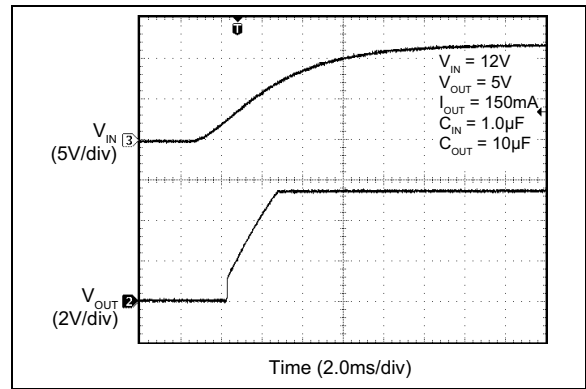


FIGURE 2-17: Soft Turn-On into Full Load.

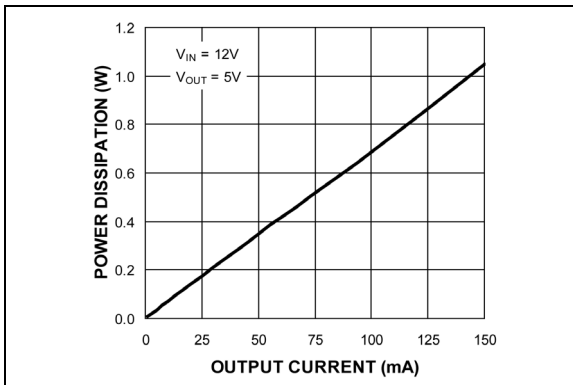


FIGURE 2-15: Power Dissipation vs. Output Current.

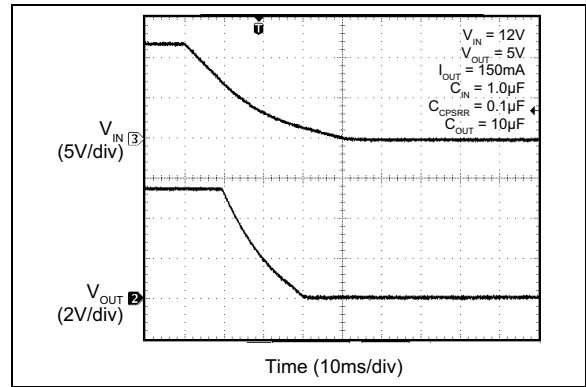


FIGURE 2-18: Soft Turn-Off.

Note: *The temperature measurement was taken at the hottest point on the MAQ5283 case mounted on a 2.25-square-inch PCB at an ambient temperature of 25°C; see the [Thermal Measurements](#) section. Actual results depend on the size of the PCB, ambient temperature, and proximity to other heat emitting components.

MAQ5283

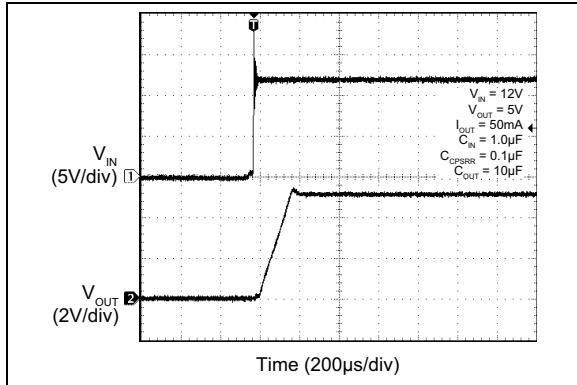


FIGURE 2-19: Fast Turn-On.

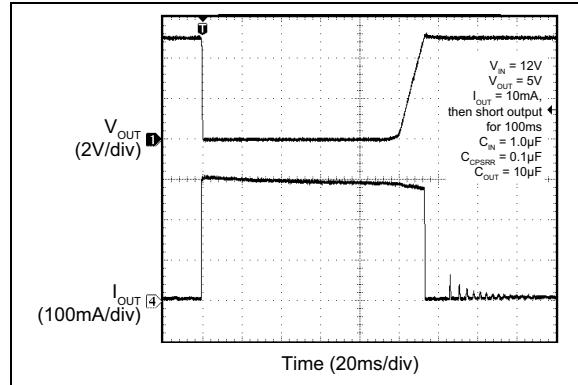


FIGURE 2-22: Current Limit.

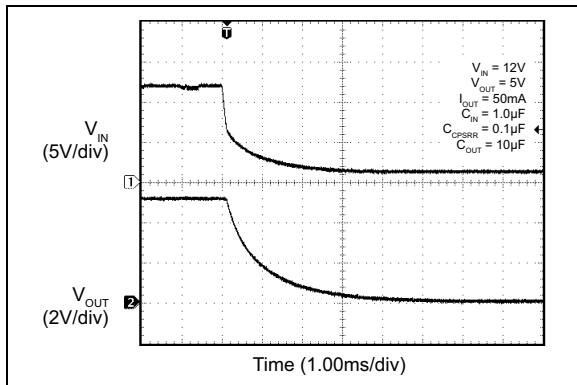


FIGURE 2-20: Fast Turn-Off.

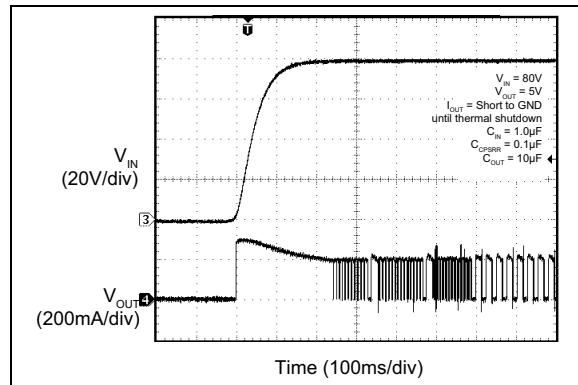


FIGURE 2-23: Thermal Shutdown Response.

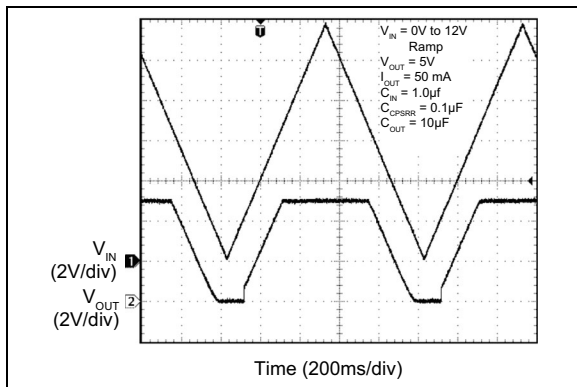


FIGURE 2-21: V_{IN} UVLO Threshold.

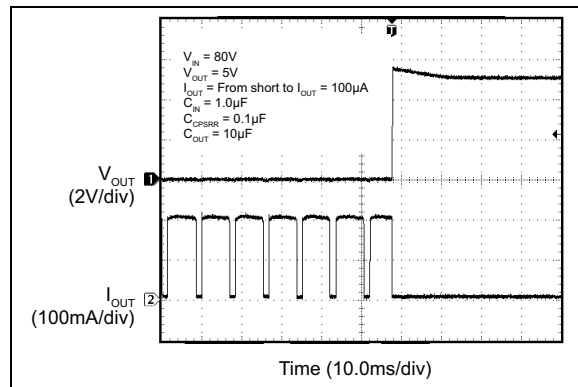


FIGURE 2-24: V_{OUT} Recovery from Thermal Shutdown.

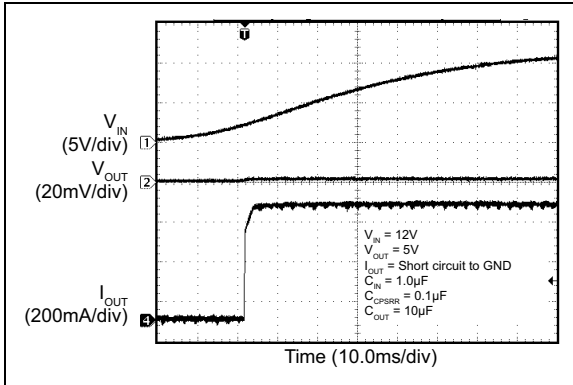


FIGURE 2-25: Turn-On into Short Circuit.

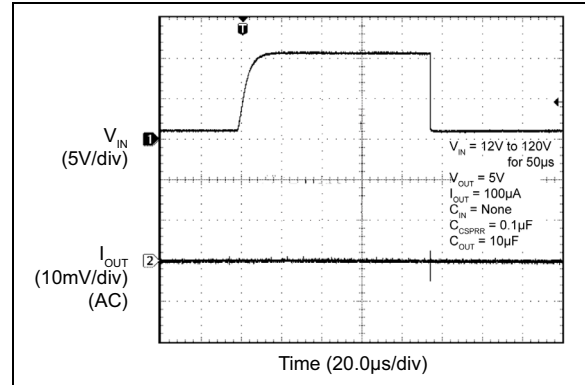


FIGURE 2-28: Line Transient Response.

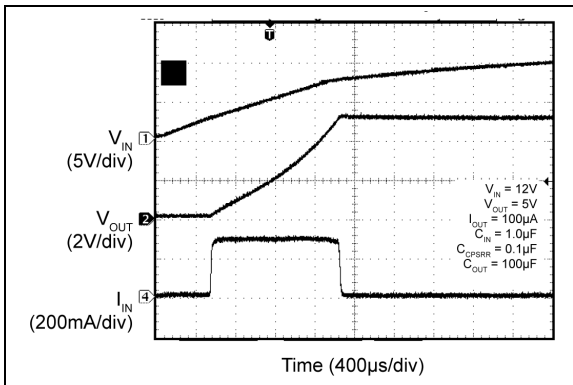


FIGURE 2-26: Inrush Current Response.

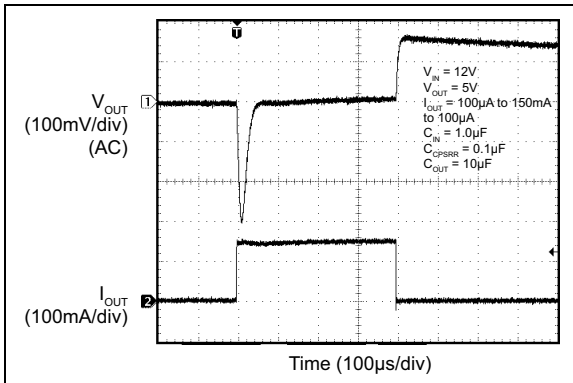


FIGURE 2-27: Load Transient Response.

MAQ5283

3.0 PIN DESCRIPTIONS

The descriptions of the pins are listed in [Table 3-1](#).

TABLE 3-1: PIN FUNCTION TABLE

Pin Number (Fixed)	Pin Number (Adjustable)	Pin Name	Description
1	1	VIN	Supply Voltage Input. Connect 1 μ F capacitor from VIN to GND.
2, 3, 7	2, 3, 7	NC	Not internally connected. Connect NC to GND or leave unconnected.
4	4	CPSRR	Bypass Capacitor Connection. Connect 0.1 μ F capacitor from CPSRR to GND.
5	5	GND	Ground.
—	6	FB	Feedback Connection. For external resistor divider to set V_{OUT} .
6	—	SNS	Sense input. Connect SNS to VOUT.
8	8	VOUT	Regulator Output. Connect 10 μ F capacitor from VOUT to GND.
EP	EP	ePad	Exposed Pad (ePad) for Thermal Dissipation. Connect to GND.

4.0 APPLICATION INFORMATION

The MAQ5283 voltage regulator accepts a 6V to 120V input voltage and has an ultra-low 8 μ A typical quiescent current while offering an excellent line transient response and PSRR. These features make it ideal for harsh, noisy environments. All options offer 150 mA of output current. The MAQ5283YME offers an adjustable output voltage from 1.23V to 5.5V. The MAQ5283-3.3YME offers a fixed 3.3V output and the MAQ5283-5.0YME offers a fixed 5.0V output. The YME packaged devices feature a heat slug to remove heat from the die more effectively.

4.1 Thermal Protection

The MAQ5283 has internal thermal shutdown to protect it from excessive heating of the die. When the junction temperature exceeds approximately +155°C, the output is disabled and the device begins to cool down. The device turns back on when the junction temperature cools by 15°C. This results in a cycled output during continuous thermal-overload conditions.

4.2 Current Limit

The MAQ5283 features output current-limit protection. The output sustains a continuous short circuit to GND without damage to the device, but thermal shutdown often results. The typical value for the current limit of the MAQ5283 is 300 mA.

4.3 Input Capacitor

Connect a 1.0 μ F capacitor from VIN to GND. Microchip recommends the C5750X7R2E105M, 1.0 μ F, 250V capacitor made by TDK. When using a different capacitor, make sure that the voltage rating of the capacitor has enough headroom to withstand any potential transient.

4.4 CPSRR Capacitor

To maintain high power supply rejection, connect a 0.1 μ F capacitor from CPSRR to GND. The voltage rating of the capacitor must be at least 14V.

4.5 Output Capacitor

Connect a 10 μ F capacitor from VOUT to GND. Make sure that the voltage rating of the capacitor is greater than the designed output voltage of the MAQ5283.

4.6 Output Voltage Setting

For the MAQ5283YME, V_{OUT} is programmable from 1.23V to 5.5V using an external resistive divider. V_{OUT} is set using the following equation:

EQUATION 4-1:

$$V_{OUT} = V_{REF} \times \left(\frac{R1}{R2} + 1 \right)$$

Where:
 $V_{REF} = 1.228V$

R1 and R2 form the feedback voltage divider from V_{OUT} to GND.

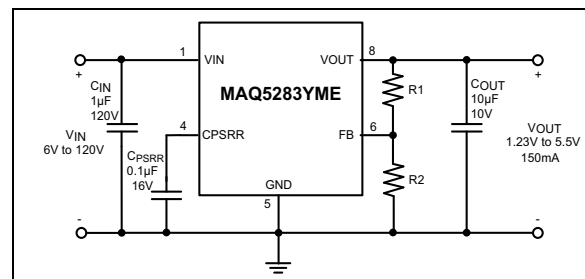


FIGURE 4-1: Output Voltage Setting Diagram.

4.7 Thermal Measurements

It is always a good idea to measure an IC's case temperature to make sure that it is within operating limits, but it is easy to get false results. The standard thermocouple that comes with many voltage meters uses a large wire gauge that behaves like a heat-sink. This causes artificially low case temperature measurements. Use a thermocouple of 36-gauge wire or smaller, such as the Omega (5SC-TT-K-36-36), to minimize the heat-sinking effect. Also, apply a thermal compound to maximize heat transfer between the IC and the thermocouple.

An infrared thermometer is a recommended alternative. The IR thermometer from Optris has a 1 mm spot size, which is ideal for monitoring small surface-mount packages. Also, the optional stand makes it easy to keep the beam on the IC for long periods of time.

6.0 PCB EVALUATION BOARD LAYOUT

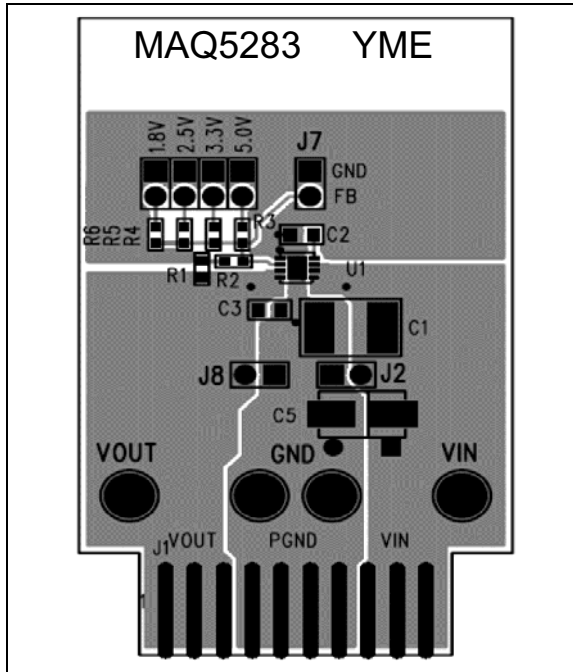


FIGURE 6-1: Top Layer.

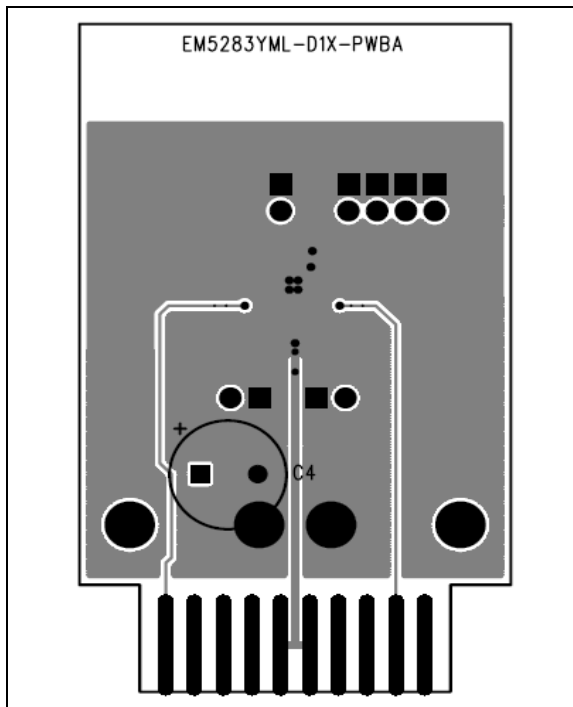


FIGURE 6-2: Bottom Layer.

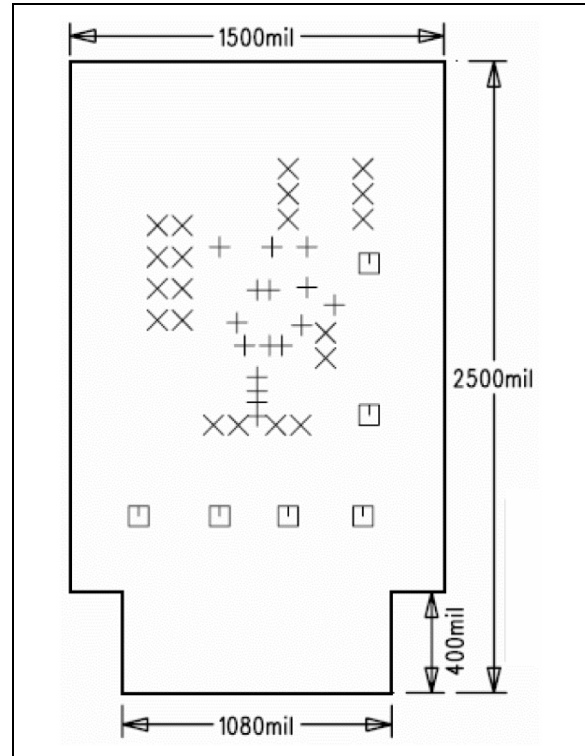


FIGURE 6-3: Evaluation Board Dimensions.

MAQ5283

7.0 PACKAGING INFORMATION

7.1 Package Marking Information

8-Lead SOIC*
(Fixed)

XXXXXXX
-XXXXX
WNNN
●

Example

MAQ5283
-33YME
2230
●

8-Lead SOIC*
(Adjustable)

XXXXXXX
XXX
WNNN
●

Example

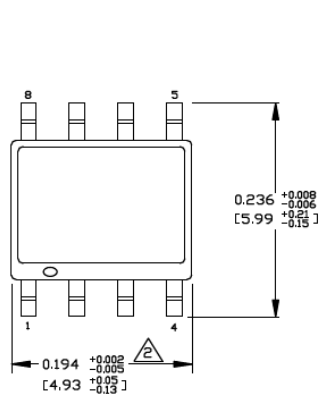
MAQ5283
YME
9051
●

Legend:	XX...X	Product code or customer-specific information
	Y	Year code (last digit of calendar year)
	YY	Year code (last 2 digits of calendar year)
	WW	Week code (week of January 1 is week '01')
	NNN	Alphanumeric traceability code
	(e3)	Pb-free JEDEC® designator for Matte Tin (Sn)
	*	This package is Pb-free. The Pb-free JEDEC designator (e3) can be found on the outer packaging for this package.
	●, ▲, ▼	Pin one index is identified by a dot, delta up, or delta down (triangle mark).
Note:	In the event the full Microchip part number cannot be marked on one line, it will be carried over to the next line, thus limiting the number of available characters for customer-specific information. Package may or may not include the corporate logo.	
	Underbar (¯) and/or Overbar (¯) symbol may not be to scale.	

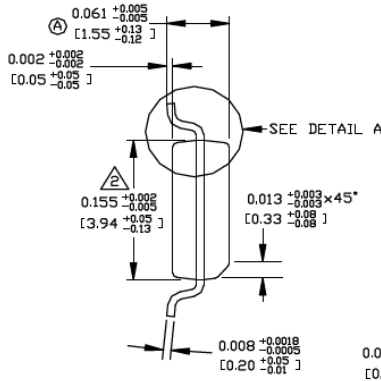
TITLE

8 LEAD SOICN EPAD PACKAGE OUTLINE & RECOMMENDED LAND PATTERN

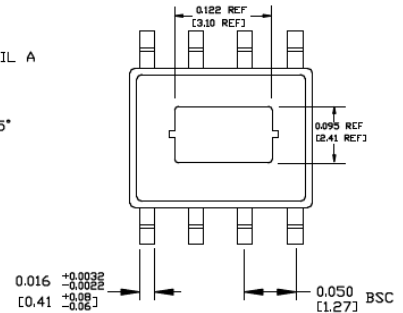
DRAWING #	SOICNEP-8LD-PL-1	UNIT	INCH [MM]
-----------	------------------	------	-----------



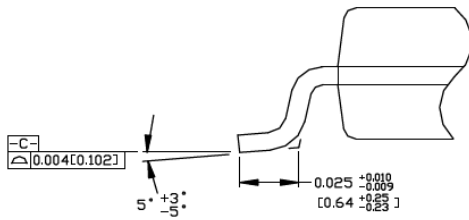
TOP VIEW



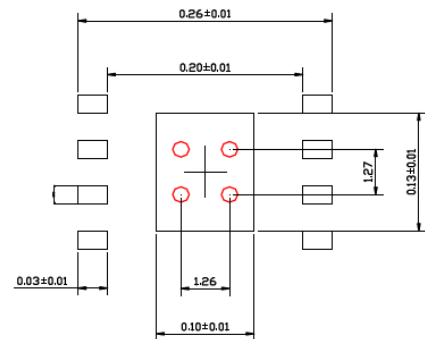
END VIEW



BOTTOM VIEW



DETAIL "A"



RECOMMENDED LAND PATTERN

NOTE:

1. DIMENSION DOES NOT INCLUDE MOLD FLASH OR PROTRUSIONS, EITHER OF WHICH SHALL EXCEED 0.006 INCHES PER SIDE

△ RED CIRCLES IN LAND PATTERN REPRESENT THERMAL VIAS. RECOMMENDED SIZE IS 0.30-0.30MM IN DIAMETER AND SHOULD BE CONNECTED TO GND FOR MAXIMUM THERMAL PERFORMANCE

Note: For the most current package drawings, please see the Microchip Packaging Specification located at <http://www.microchip.com/packaging>.

MAQ5283

NOTES:

APPENDIX A: REVISION HISTORY

Revision A (January 2019)

- Converted Micrel document MAQ5283 to Microchip data sheet template DS20006151A.
- Minor grammatical text changes throughout.

MAQ5283

NOTES:

PRODUCT IDENTIFICATION SYSTEM

To order or obtain information, e.g., on pricing or delivery, contact your local Microchip representative or sales office.

Device	<u>-X.X</u>	<u>X</u>	<u>XX</u>	<u>-XX</u>	<u>XXX</u>
Part No.	Output Voltage	Junction Temp. Range	Package	Media Type	Automotive Option
Device:	MAQ5283:	120V _{IN} , 150 mA, Ultra-Low I _Q , High-PSRR Linear Regulator			
Output Voltage:	<blank>= Adjustable				
	3.3 = 3.3V				
	5.0 = 5.0V				
Junction Temperature Range:	Y =	-40°C to +125°C, RoHS-Compliant			
Package:	ME =	8-Lead ePad SOIC			
Media Type:	<blank>= 95/Tube				
	TR = 2,500/Reel				
	T5 = 500/Reel				
Automotive Option:	VAO = Automotive Option				
Examples:					
a) MAQ5283YME-VAO: MAQ5283, Adjustable Output Voltage, -40°C to +125°C Temperature Range, 8-Lead ePad SOIC, 95/Tube, Automotive Option					
b) MAQ5283-3.3YME-TRVAO: MAQ5283, 3.3V Output Voltage, -40°C to +125°C Temperature Range, 8-Lead ePad SOIC, 2,500/Reel, Automotive Option					
c) MAQ5283-5.0YME-T5VAO: MAQ5283, 5.0V Output Voltage, -40°C to +125°C Temperature Range, 8-Lead ePad SOIC, 500/Reel, Automotive Option					
Note 1: Tape and Reel identifier only appears in the catalog part number description. This identifier is used for ordering purposes and is not printed on the device package. Check with your Microchip Sales Office for package availability with the Tape and Reel option.					

MAQ5283

NOTES:

Note the following details of the code protection feature on Microchip devices:

- Microchip products meet the specification contained in their particular Microchip Data Sheet.
- Microchip believes that its family of products is one of the most secure families of its kind on the market today, when used in the intended manner and under normal conditions.
- There are dishonest and possibly illegal methods used to breach the code protection feature. All of these methods, to our knowledge, require using the Microchip products in a manner outside the operating specifications contained in Microchip's Data Sheets. Most likely, the person doing so is engaged in theft of intellectual property.
- Microchip is willing to work with the customer who is concerned about the integrity of their code.
- Neither Microchip nor any other semiconductor manufacturer can guarantee the security of their code. Code protection does not mean that we are guaranteeing the product as “unbreakable.”

Code protection is constantly evolving. We at Microchip are committed to continuously improving the code protection features of our products. Attempts to break Microchip's code protection feature may be a violation of the Digital Millennium Copyright Act. If such acts allow unauthorized access to your software or other copyrighted work, you may have a right to sue for relief under that Act.

Information contained in this publication regarding device applications and the like is provided only for your convenience and may be superseded by updates. It is your responsibility to ensure that your application meets with your specifications. MICROCHIP MAKES NO REPRESENTATIONS OR WARRANTIES OF ANY KIND WHETHER EXPRESS OR IMPLIED, WRITTEN OR ORAL, STATUTORY OR OTHERWISE, RELATED TO THE INFORMATION, INCLUDING BUT NOT LIMITED TO ITS CONDITION, QUALITY, PERFORMANCE, MERCHANTABILITY OR FITNESS FOR PURPOSE. Microchip disclaims all liability arising from this information and its use. Use of Microchip devices in life support and/or safety applications is entirely at the buyer's risk, and the buyer agrees to defend, indemnify and hold harmless Microchip from any and all damages, claims, suits, or expenses resulting from such use. No licenses are conveyed, implicitly or otherwise, under any Microchip intellectual property rights unless otherwise stated.

Microchip received ISO/TS-16949:2009 certification for its worldwide headquarters, design and wafer fabrication facilities in Chandler and Tempe, Arizona; Gresham, Oregon and design centers in California and India. The Company's quality system processes and procedures are for its PIC® MCUs and dsPIC® DSCs, KEELOQ® code hopping devices, Serial EEPROMs, microperipherals, nonvolatile memory and analog products. In addition, Microchip's quality system for the design and manufacture of development systems is ISO 9001:2000 certified.

**QUALITY MANAGEMENT SYSTEM
CERTIFIED BY DNV
= ISO/TS 16949 =**

Trademarks

The Microchip name and logo, the Microchip logo, AnyRate, AVR, AVR logo, AVR Freaks, BitCloud, chipKIT, chipKIT logo, CryptoMemory, CryptoRF, dsPIC, FlashFlex, flexPWR, Heldo, JukeBlox, KeeLoq, Klear, LANCheck, LINK MD, maXStylus, maXTouch, MediaLB, megaAVR, MOST, MOST logo, MPLAB, OptoLyzer, PIC, picoPower, PICSTART, PIC32 logo, Prochip Designer, QTouch, SAM-BA, SpyNIC, SST, SST Logo, SuperFlash, tinyAVR, UNI/O, and XMEGA are registered trademarks of Microchip Technology Incorporated in the U.S.A. and other countries.

ClockWorks, The Embedded Control Solutions Company, EtherSynch, Hyper Speed Control, HyperLight Load, IntellIMOS, mTouch, Precision Edge, and Quiet-Wire are registered trademarks of Microchip Technology Incorporated in the U.S.A.

Adjacent Key Suppression, AKS, Analog-for-the-Digital Age, Any Capacitor, AnyIn, AnyOut, BodyCom, CodeGuard, CryptoAuthentication, CryptoAutomotive, CryptoCompanion, CryptoController, dsPICDEM, dsPICDEM.net, Dynamic Average Matching, DAM, ECAN, EtherGREEN, In-Circuit Serial Programming, ICSP, INICnet, Inter-Chip Connectivity, JitterBlocker, KlearNet, KlearNet logo, memBrain, Mindi, MiWi, motorBench, MPASM, MPF, MPLAB Certified logo, MPLIB, MPLINK, MultiTRAK, NetDetach, Omniscient Code Generation, PICDEM, PICDEM.net, PICKit, PICtail, PowerSmart, PureSilicon, QMatrix, REAL ICE, Ripple Blocker, SAM-ICE, Serial Quad I/O, SMART-I.S., SQI, SuperSwitcher, SuperSwitcher II, Total Endurance, TSHARC, USBCheck, VariSense, ViewSpan, WiperLock, Wireless DNA, and ZENA are trademarks of Microchip Technology Incorporated in the U.S.A. and other countries.

SQTP is a service mark of Microchip Technology Incorporated in the U.S.A.

Silicon Storage Technology is a registered trademark of Microchip Technology Inc. in other countries.

GestIC is a registered trademark of Microchip Technology Germany II GmbH & Co. KG, a subsidiary of Microchip Technology Inc., in other countries.

All other trademarks mentioned herein are property of their respective companies.

© 2019, Microchip Technology Incorporated, All Rights Reserved.
ISBN: 978-1-5224-4054-3



MICROCHIP

Worldwide Sales and Service

AMERICAS

Corporate Office
2355 West Chandler Blvd.
Chandler, AZ 85224-6199
Tel: 480-792-7200
Fax: 480-792-7277
Technical Support:
<http://www.microchip.com/support>
Web Address:
www.microchip.com

Atlanta

Duluth, GA
Tel: 678-957-9614
Fax: 678-957-1455

Austin, TX

Tel: 512-257-3370

Boston

Westborough, MA
Tel: 774-760-0087
Fax: 774-760-0088

Chicago

Itasca, IL
Tel: 630-285-0071
Fax: 630-285-0075

Dallas

Addison, TX
Tel: 972-818-7423
Fax: 972-818-2924

Detroit

Novi, MI
Tel: 248-848-4000

Houston, TX

Tel: 281-894-5983

Indianapolis

Noblesville, IN
Tel: 317-773-8323
Fax: 317-773-5453
Tel: 317-536-2380

Los Angeles

Mission Viejo, CA
Tel: 949-462-9523
Fax: 949-462-9608
Tel: 951-273-7800

Raleigh, NC

Tel: 919-844-7510

New York, NY

Tel: 631-435-6000

San Jose, CA

Tel: 408-735-9110
Tel: 408-436-4270

Canada - Toronto

Tel: 905-695-1980
Fax: 905-695-2078

ASIA/PACIFIC

Australia - Sydney
Tel: 61-2-9868-6733

China - Beijing
Tel: 86-10-8569-7000

China - Chengdu
Tel: 86-28-8665-5511

China - Chongqing
Tel: 86-23-8980-9588

China - Dongguan
Tel: 86-769-8702-9880

China - Guangzhou
Tel: 86-20-8755-8029

China - Hangzhou
Tel: 86-571-8792-8115

China - Hong Kong SAR
Tel: 852-2943-5100

China - Nanjing
Tel: 86-25-8473-2460

China - Qingdao
Tel: 86-532-8502-7355

China - Shanghai
Tel: 86-21-3326-8000

China - Shenyang
Tel: 86-24-2334-2829

China - Shenzhen
Tel: 86-755-8864-2200

China - Suzhou
Tel: 86-186-6233-1526

China - Wuhan
Tel: 86-27-5980-5300

China - Xian
Tel: 86-29-8833-7252

China - Xiamen
Tel: 86-592-2388138

China - Zhuhai
Tel: 86-756-3210040

ASIA/PACIFIC

India - Bangalore
Tel: 91-80-3090-4444

India - New Delhi
Tel: 91-11-4160-8631

India - Pune
Tel: 91-20-4121-0141

Japan - Osaka
Tel: 81-6-6152-7160

Japan - Tokyo
Tel: 81-3-6880-3770

Korea - Daegu
Tel: 82-53-744-4301

Korea - Seoul
Tel: 82-2-554-7200

Malaysia - Kuala Lumpur
Tel: 60-3-7651-7906

Malaysia - Penang
Tel: 60-4-227-8870

Philippines - Manila
Tel: 63-2-634-9065

Singapore
Tel: 65-6334-8870

Taiwan - Hsin Chu
Tel: 886-3-577-8366

Taiwan - Kaohsiung
Tel: 886-7-213-7830

Taiwan - Taipei
Tel: 886-2-2508-8600

Thailand - Bangkok
Tel: 66-2-694-1351

Vietnam - Ho Chi Minh
Tel: 84-28-5448-2100

EUROPE

Austria - Wels
Tel: 43-7242-2244-39
Fax: 43-7242-2244-393

Denmark - Copenhagen
Tel: 45-4450-2828
Fax: 45-4485-2829

Finland - Espoo
Tel: 358-9-4520-820

France - Paris
Tel: 33-1-69-53-63-20
Fax: 33-1-69-30-90-79

Germany - Garching
Tel: 49-8931-9700

Germany - Haan
Tel: 49-2129-3766400

Germany - Heilbronn
Tel: 49-7131-67-3636

Germany - Karlsruhe
Tel: 49-721-625370

Germany - Munich
Tel: 49-89-627-144-0
Fax: 49-89-627-144-44

Germany - Rosenheim
Tel: 49-8031-354-560

Israel - Ra'anana
Tel: 972-9-744-7705

Italy - Milan
Tel: 39-0331-742611
Fax: 39-0331-466781

Italy - Padova
Tel: 39-049-7625286

Netherlands - Drunen
Tel: 31-416-690399
Fax: 31-416-690340

Norway - Trondheim
Tel: 47-7288-4388

Poland - Warsaw
Tel: 48-22-3325737

Romania - Bucharest
Tel: 40-21-407-87-50

Spain - Madrid
Tel: 34-91-708-08-90
Fax: 34-91-708-08-91

Sweden - Gothenberg
Tel: 46-31-704-60-40

Sweden - Stockholm
Tel: 46-8-5090-4654

UK - Wokingham
Tel: 44-118-921-5800
Fax: 44-118-921-5820

Looking for pricing, stock, or lifecycle information?

Click below to explore more details on WIN SOURCE:

- ⊖ [View MAQ5283-3.3YME-T5VAO on WIN SOURCE](#)
- ⊖ [Microchip Technology](#) Information

Optimize Your Supply Chain with WIN SOURCE Solutions

- ✓ Global Sourcing Solution
- ✓ Obsolete Management
- ✓ Cost Control Management
- ✓ Shortage Management
- ✓ Alternative Solution
- ✓ Excess Inventory Management