



**THE DATASHEET OF  
MAX1725EUK-T**



# MAX1725/MAX1726

## 12V, Ultra-Low IQ, Low-Dropout Linear Regulators

### General Description

The MAX1725/MAX1726 are ultra-low supply current, low-dropout linear regulators intended for low-power applications that demand the longest possible battery life. Unlike inferior PNP-based designs, the MAX1725/MAX1726s' PMOS pass elements maintain an ultra-low 2µA supply current throughout their entire operating range and in dropout. Despite their ultra-low power consumption, the MAX1725/MAX1726 have tight output accuracy (1.5%) and require just 1µF output capacitance to achieve good load-transient response.

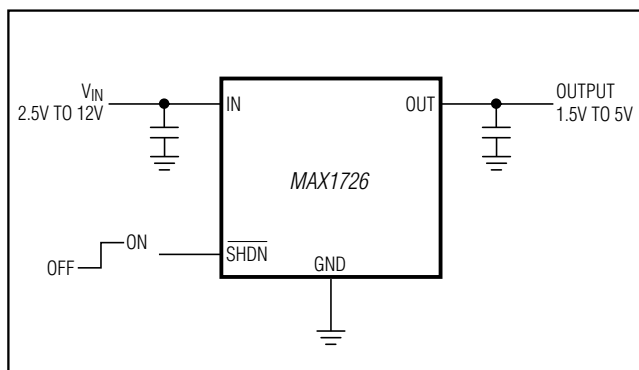
These regulators have a wide input voltage range (+2.5V to +12V), making them excellent choices for systems powered from two lithium-ion (Li+) cells and 9V batteries. Other features include reverse-battery protection, short-circuit protection, and thermal protection.

The MAX1725 provides an adjustable 1.5V to 5V output using an external resistor-divider. The MAX1726 provides factory preset 1.8V, 2.5V, 3.3V, or 5V output voltages (see the *Ordering Information*). Both devices are available in a tiny 5-pin SOT23 package.

### Applications

- Smoke Detectors
- Remote Transmitters
- Smart Battery Packs
- Industrial Control Systems
- Microcontroller Power
- Real-Time Clock Backup Power
- PDA's and Handy-Terminals
- Battery-Powered Alarms

### Typical Operating Circuit



### Features

- ◆ 2µA Supply Current
- ◆ Reverse-Battery Protection
- ◆ +2.5V to +12V Input Voltage Range
- ◆ Fixed 1.8V, 2.5V, 3.3V, and 5V Output Voltages (MAX1726)
- ◆ Adjustable 1.5V to 5V Output Voltages (MAX1725)
- ◆ 20mA Guaranteed Output Current
- ◆ 1.5% Output Voltage Accuracy
- ◆ Small 1µF Output Capacitor
- ◆ Short-Circuit Protection
- ◆ Thermal Protection
- ◆ Tiny 5-Pin SOT23 Package

### Ordering Information

PART	TEMP RANGE	PIN-PACKAGE	TOP MARK
MAX1725EUK+T	-40°C to +85°C	5 SOT23	ADNK
MAX1726EUK18+T	-40°C to +85°C	5 SOT23	ADNL
MAX1726EUK25+T	-40°C to +85°C	5 SOT23	ADNM
MAX1726EUK25/V+T	-40°C to +85°C	5 SOT23	AFMN
MAX1726EUK33+T	-40°C to +85°C	5 SOT23	ADNN
MAX1726EUK50+T	-40°C to +85°C	5 SOT23	ADNO

+ Denotes a lead (Pb)-free/RoHS-compliant package.

/V denotes an automotive-qualified part.

**Note:** See the Selector Guide for the output options as they relate to the part number suffix.

### Selector Guide

PART	OUTPUT VOLTAGE (V)
MAX1725EUK+T	Adj 1.5 to 5.0
MAX1726EUK18+T	Fixed 1.8
MAX1726EUK25+T	Fixed 2.5
MAX1726EUK25/V+T	Fixed 2.5
MAX1726EUK33+T	Fixed 3.3
MAX1726EUK50+T	Fixed 5.0

Pin Configuration appears at end of data sheet.

**For pricing, delivery, and ordering information, please contact Maxim Direct at 1-888-629-4642, or visit Maxim's website at [www.maximintegrated.com](http://www.maximintegrated.com).**

# MAX1725/MAX1726

## 12V, Ultra-Low IQ, Low-Dropout Linear Regulators

### ABSOLUTE MAXIMUM RATINGS

IN to GND .....	-14V to +14V	OUT Short Circuit.....	Indefinite
SHDN to GND .....	-0.3V to (V <sub>IN</sub> + 0.3V)	Continuous Power Dissipation (T <sub>A</sub> = +70°C)	
	(-0.3V to +0.3V when V <sub>IN</sub> < 0V)	5-Pin SOT23 (derate 7.1mW/°C above +70°C).....	571mW
OUT, FB (MAX1725 only) to GND.....	-0.3V to +6V when	Junction Temperature .....	+150°C
	V <sub>IN</sub> > 5.7V; -0.3V to (V <sub>IN</sub> + 0.3V) when 0V <	Operating Temperature Range .....	-40°C to +85°C
	V <sub>IN</sub> < 5.7V; -0.3V to +0.3V when V <sub>IN</sub> < 0V	Storage Temperature Range .....	-65°C to +150°C
OUT Continuous Current.....	200mA	Lead Temperature (soldering, 10s) .....	+300°C
		Soldering Temperature (reflow) .....	+260°C

Stresses beyond those listed under "Absolute Maximum Ratings" may cause permanent damage to the device. These are stress ratings only, and functional operation of the device at these or any other conditions beyond those indicated in the operational sections of the specifications is not implied. Exposure to absolute maximum rating conditions for extended periods may affect device reliability.

### PACKAGE THERMAL CHARACTERISTICS (Note 1)

Junction-to-Ambient Thermal Resistance (θ<sub>JA</sub>).....140°C/W

**Note 1:** Package thermal resistances were obtained using the method described in JEDEC specification JESD51-7, using a four-layer board. For detailed information on package thermal considerations, refer to [www.maximintegrated.com/thermal-tutorial](http://www.maximintegrated.com/thermal-tutorial).

### ELECTRICAL CHARACTERISTICS

(Circuit of Figure 1, V<sub>IN</sub> = V<sub>OUT</sub> + 1V, SHDN = IN, I<sub>OUT</sub> = 1mA, T<sub>A</sub> = -40°C to +85°C, unless otherwise noted. Typical values are at T<sub>A</sub> = +25°C.) (Note 2)

PARAMETER	SYMBOL	CONDITIONS	MIN	TYP	MAX	UNITS	
Input Voltage Range	V <sub>IN</sub>	(Note 3)	2.5		12	V	
Supply Current	I <sub>IN</sub>	V <sub>IN</sub> = 12V		2	4.5	µA	
Shutdown Supply Current	I <sub>IN(SHDN)</sub>	V <sub>SHDN</sub> = 0V, V <sub>IN</sub> = 12V, V <sub>OUT</sub> = 0V		0.7	2	µA	
OUT Voltage Range	V <sub>OUT</sub>	MAX1725 only	1.5		5	V	
FB Voltage	V <sub>FB</sub>	MAX1725 only (Note 4)		1.245		V	
OUT Voltage Accuracy (Note 4)		T <sub>A</sub> = +25°C	-1.5		1.5	%	
		T <sub>A</sub> = 0°C to +85°C	-2		+2		
		T <sub>A</sub> = -40°C to +85°C	-3		+3		
Line Regulation	ΔV <sub>LNR</sub>	V <sub>IN</sub> = 2.5V or (V <sub>OUT</sub> + 0.5V) to 12V		0.01	0.3	%/V	
Load Regulation	ΔV <sub>LDR</sub>	I <sub>OUT</sub> = 1mA to 20mA, V <sub>IN</sub> = (V <sub>OUT</sub> + 1V) or 3V (min)		0.015	0.15	%/mA	
Maximum OUT Current	I <sub>OUT</sub>	V <sub>IN</sub> = (V <sub>OUT</sub> + 1V) or 3V (Note 5)	20	80		mA	
Dropout Voltage (Note 5)	ΔV <sub>DO</sub>	I <sub>OUT</sub> = 20mA for V <sub>OUT</sub> ≥ 2.5V, I <sub>OUT</sub> = 10mA for V <sub>OUT</sub> < 2.5V, not applicable for V <sub>OUT</sub> < 1.9V		300	600	mV	
Foldback Current Limit	I <sub>SC</sub>	V <sub>IN</sub> = 12V, V <sub>OUT</sub> = 0V		40		mA	
SHDN Input Threshold	V <sub>IH</sub>	V <sub>IN</sub> = 2.5V to 12V	2		0.5	V	
	V <sub>IL</sub>						
SHDN Input Bias Current	I <sub>SHDN</sub>	V <sub>SHDN</sub> = 0V to 12V	T <sub>A</sub> = +25°C	-50	+50	nA	
			T <sub>A</sub> = +85°C	0.1			
FB Input Bias Current (MAX1725 only)	I <sub>FB</sub>	V <sub>FB</sub> = 1.25V	T <sub>A</sub> = +25°C	-20	2	+20	nA
			T <sub>A</sub> = +85°C	1.5			
IN Reverse Leakage Current		V <sub>IN</sub> = -12V, V <sub>SHDN</sub> = 0V		0.01	10	µA	
Thermal-Shutdown Threshold		Temperature rising		150		°C	
Thermal-Shutdown Hysteresis				15		°C	

# MAX1725/MAX1726

## 12V, Ultra-Low IQ, Low-Dropout Linear Regulators

### ELECTRICAL CHARACTERISTICS (continued)

(Circuit of Figure 1,  $V_{IN} = V_{OUT} + 1V$ , SHDN = IN,  $I_{OUT} = 1mA$ ,  $T_A = -40^{\circ}C$  to  $+85^{\circ}C$ , unless otherwise noted. Typical values are at  $T_A = +25^{\circ}C$ .) (Note 2)

PARAMETER	SYMBOL	CONDITIONS	MIN	TYP	MAX	UNITS
OUT Line-Transient Overshoot/Undershoot		$\Delta V_{IN} = \pm 0.25V$ , $t_R = t_F = 5\mu s$		15		mV
OUT Load-Transient Overshoot/Undershoot		$I_{OUT}$ from 1mA to 10mA, $t_R = t_F = 1\mu s$		200		mV
OUT Noise	$e_n$	$f = 10Hz$ to $100kHz$		350		$\mu V_{RMS}$

**Note 2:** Limits are 100% production tested at  $+25^{\circ}C$ . All temperature limits are guaranteed by design.

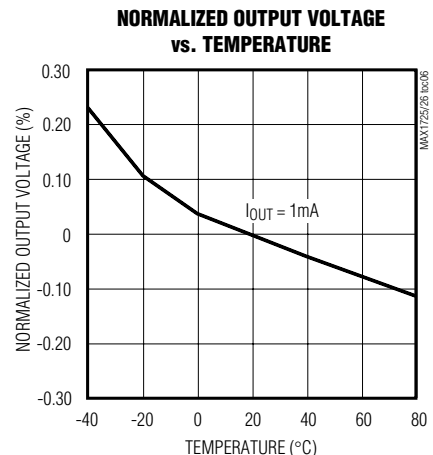
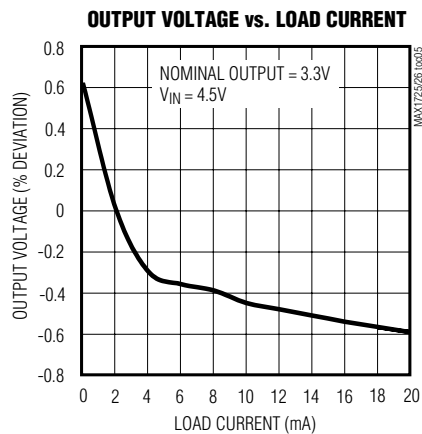
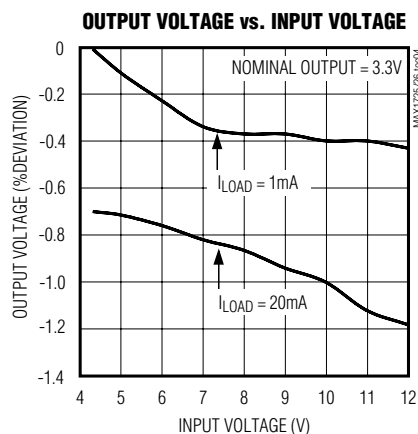
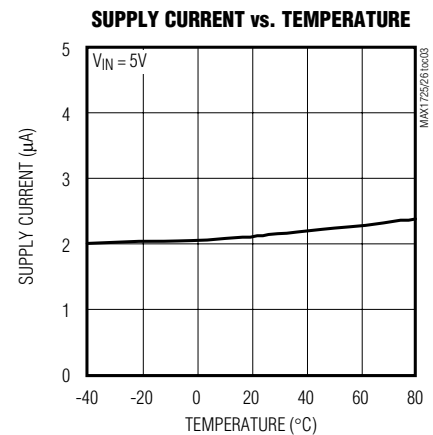
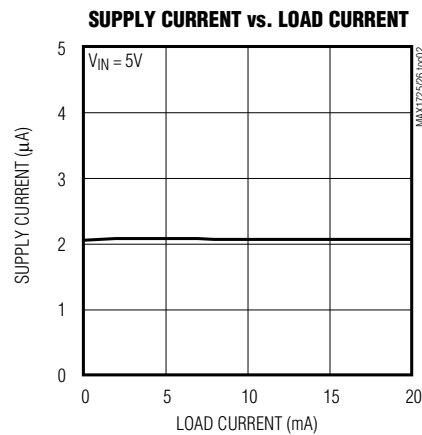
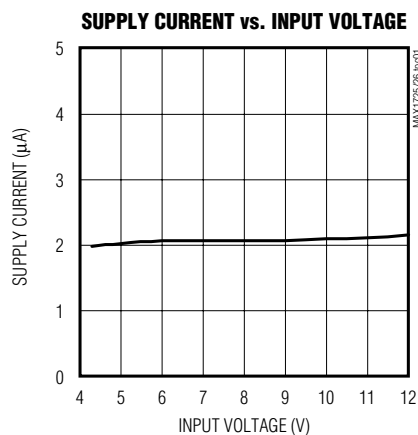
**Note 3:** Guaranteed by OUT line-regulation testing.

**Note 4:** OUT accuracy from nominal voltage. The MAX1725 is tested at  $V_{OUT} = 1.5V$ ,  $2.5V$ , and  $5V$ .

**Note 5:** When  $V_{OUT}$  falls to 4% below its value at  $V_{IN} = V_{OUT} + 1V$ .

### Typical Operating Characteristics

( $V_{OUT} = +3.3V$ ,  $I_{OUT} = 1mA$ ,  $T_A = +25^{\circ}C$ , unless otherwise noted.)



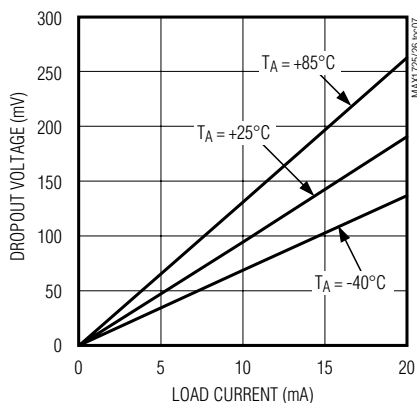
# MAX1725/MAX1726

## 12V, Ultra-Low IQ, Low-Dropout Linear Regulators

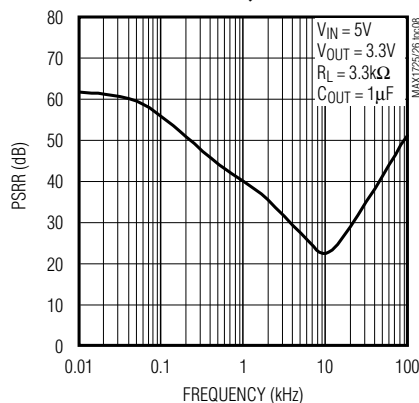
### Typical Operating Characteristics (continued)

( $V_{OUT} = +3.3V$ ,  $I_{OUT} = 1mA$ ,  $T_A = +25^\circ C$ , unless otherwise noted.)

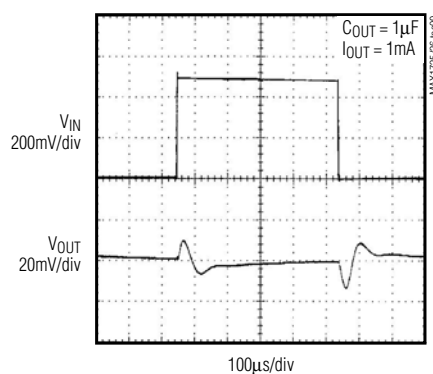
**DROPOUT VOLTAGE vs. LOAD CURRENT**



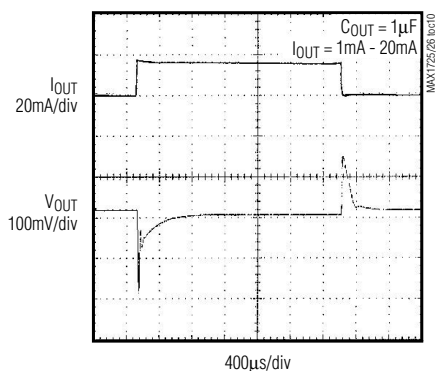
**POWER-SUPPLY REJECTION RATIO vs. FREQUENCY**



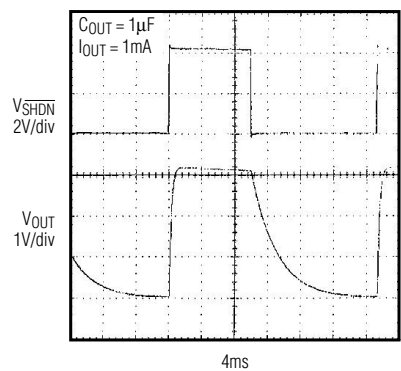
**LINE-TRANSIENT RESPONSE**



**LOAD TRANSIENT**



**TURN-ON/TURN-OFF RESPONSE**



### Pin Description

PIN		NAME	FUNCTION
MAX1725	MAX1726		
1	1	IN	Supply Voltage Input
2	2	GND	Ground
3	3	OUT	Voltage Output
4	—	FB	Feedback Voltage Input
—	4	GND	Ground
5	5	$\overline{\text{SHDN}}$	Active-Low Shutdown Input

### Detailed Description

The MAX1725/MAX1726 are low-dropout, low-quiescent-current linear regulators designed primarily for battery-powered applications (Figure 1). The MAX1725 provides an adjustable output voltage from 1.5V to 5V using an external resistor-divider. The MAX1726 supplies preset output voltages of 1.8V, 2.5V, 3.3V, or 5V. These devices consist of a +1.245V error amplifier, MOSFET driver, and p-channel pass transistor (Figure 2).

# MAX1725/MAX1726

## 12V, Ultra-Low IQ, Low-Dropout Linear Regulators

The error amplifier compares 1.245V to the selected feedback voltage and amplifies the difference. If the feedback voltage is lower than 1.245V, the pass-transistor gate is pulled lower, allowing more current to pass, and thus increasing the output voltage. If the feedback voltage is higher than 1.245V, the pass-transistor

gate is driven higher, allowing less current to pass to the output. The output voltage is fed back through either an internal resistor voltage-divider connected to OUT (MAX1726) or an external resistor network connected to FB (MAX1725). Additional features include an output current limiter, reverse-battery protection, a thermal sensor, and shutdown logic.

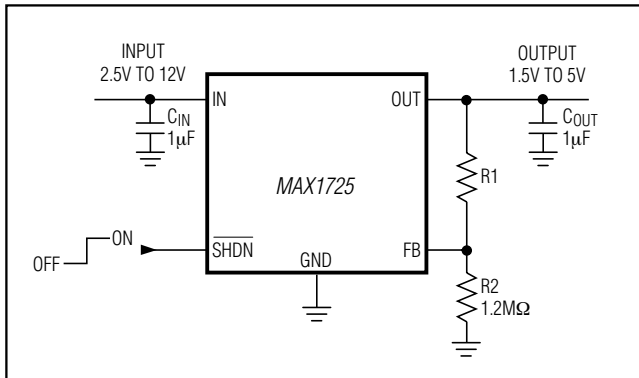


Figure 1. Typical Application Circuit

### Internal P-Channel Pass Transistor

The MAX1725/MAX1726 feature a p-channel MOSFET pass transistor. This provides advantages over similar designs using PNP pass transistors, including longer battery life. The p-channel MOSFET requires no base drive, which reduces quiescent current considerably. PNP-based regulators waste considerable current in dropout when the pass transistor saturates; they also use high base-drive currents under large loads. The MAX1725/MAX1726 do not suffer from these problems, and consume only 2µA of quiescent current throughout their load range (see the *Typical Operating Characteristics*).

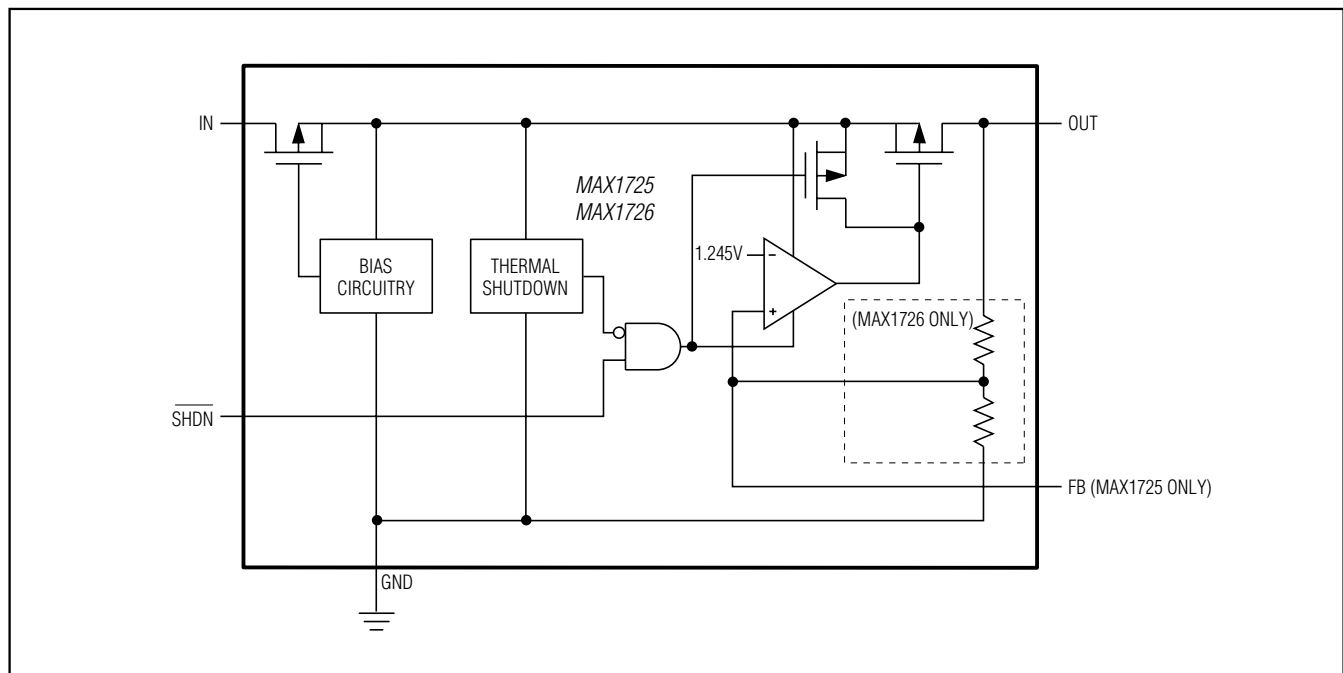


Figure 2. Functional Diagram

# MAX1725/MAX1726

## 12V, Ultra-Low IQ, Low-Dropout Linear Regulators

### Shutdown

To enter shutdown, drive the  $\overline{\text{SHDN}}$  pin below 0.5V. When the MAX1725/MAX1726 are shut down, the output pass transistor shuts off, the output falls to ground, and supply current drops from 2 $\mu\text{A}$  to 0.7 $\mu\text{A}$ . Connect  $\overline{\text{SHDN}}$  to IN for normal operation. If reverse-battery protection is needed, drive  $\overline{\text{SHDN}}$  through a 100k $\Omega$  resistor.

### Thermal-Overload Protection

Thermal-overload protection limits total power dissipation in the MAX1725/MAX1726. When the junction temperature exceeds  $T_J = +150^\circ\text{C}$ , the thermal sensor signals the shutdown logic, turning off the pass transistor and allowing the IC to cool. The thermal sensor turns the pass transistor on again after the IC's junction temperature cools by 15 $^\circ\text{C}$ , resulting in a pulsed output during continuous thermal-overload conditions.

Thermal-overload protection is designed to protect the devices in the event of fault conditions. For continuous operation, do not exceed the absolute maximum junction temperature rating of  $T_J = +150^\circ\text{C}$ .

### Foldback Current Limiting

The MAX1725/MAX1726 also include a foldback current limiter. When the output is shorted to ground, the output PMOS drive is limited so that the output current does not exceed 40mA (typ). The output can be shorted to ground indefinitely without damaging the part.

### Reverse-Battery Protection

The MAX1725/MAX1726 have a unique protection scheme that limits the reverse supply current to less than 10 $\mu\text{A}$  when  $V_{\text{IN}}$  is forced below ground. The circuitry monitors the polarity of the input, disconnecting the internal circuitry and parasitic diodes when the battery is reversed. This feature prevents the device, battery, and load from overheating and electrical stress. For reverse-battery protection, drive  $\overline{\text{SHDN}}$  through a 100k $\Omega$  resistor.

## Applications Information

### Capacitor Selection and Regulator Stability

For general purposes, use a 1 $\mu\text{F}$  capacitor on the MAX1725/MAX1726 input and output. Larger input capacitor values and lower ESR provide better supply-

noise rejection and transient response. A higher-value input capacitor (10 $\mu\text{F}$ ) may be necessary if large, fast transients are anticipated and the device is located several inches from the power source. For stable operation

$$V_{\text{OUT}} = V_{\text{FB}} \left( 1 + \frac{R1}{R2} \right)$$

over the full temperature range, use a minimum of 1 $\mu\text{F}$  on the output.

$$R1 = R2 \left( \frac{V_{\text{OUT}}}{V_{\text{FB}}} - 1 \right)$$

### Output-Voltage Selection

For fixed 1.8V, 2.5V, 3.3V, or 5V output voltages, use the MAX1726.

The MAX1725 features an adjustable output voltage from 1.5V to 5V, using two external resistors connected as a voltage-divider to FB (Figure 1). The MAX1725 is optimized for operation with  $R2 = 1.2\text{M}\Omega$ . The output voltage is set by the following equation:

where typically  $V_{\text{FB}} = 1.245\text{V}$ . To simplify resistor selection:

Choose  $R2 = 1.2\text{M}\Omega$  for best accuracy.

### Power-Supply Rejection and Operation from Sources Other than Batteries

The MAX1725/MAX1726 are designed to deliver low dropout voltages and low quiescent currents in battery-powered systems. Power-supply rejection is 60dB at low frequencies and rolls off above 100Hz. At high frequencies, the output capacitor is the major contributor to the rejection of power-supply noise (see the Power-Supply Rejection Ratio vs. Frequency graph in the *Typical Operating Characteristics*).

When operating from sources other than batteries, improve supply-noise rejection and transient response by increasing the value of the input and output capacitors, and by using passive filtering techniques (see the Supply and Load Transient Response graph in the *Typical Operating Characteristics*).

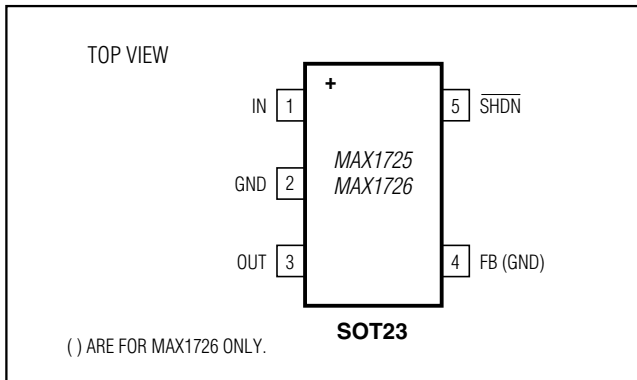
# MAX1725/MAX1726

## 12V, Ultra-Low IQ, Low-Dropout Linear Regulators

### Chip Information

TRANSISTOR COUNT: 112

### Pin Configuration



### Package Information

For the latest package outline information and land patterns (footprints), go to [www.maximintegrated.com/packages](http://www.maximintegrated.com/packages). Note that a "+", "#", or "-" in the package code indicates RoHS status only. Package drawings may show a different suffix character, but the drawing pertains to the package regardless of RoHS status.

PACKAGE TYPE	PACKAGE CODE	OUTLINE NO.	LAND PATTERN NO.
5 SOT23	U5+1	<a href="#">21-0057</a>	<a href="#">90-0174</a>

# MAX1725/MAX1726

## 12V, Ultra-Low IQ, Low-Dropout Linear Regulators

### Revision History

REVISION NUMBER	REVISION DATE	DESCRIPTION	PAGES CHANGED
2	11/12	Added MAX1726EUK26/V+ and "+" lead(Pb)-free designations to <i>Ordering Information</i>	1



Maxim Integrated cannot assume responsibility for use of any circuitry other than circuitry entirely embodied in a Maxim Integrated product. No circuit patent licenses are implied. Maxim Integrated reserves the right to change the circuitry and specifications without notice at any time. The parametric values (min and max limits) shown in the Electrical Characteristics table are guaranteed. Other parametric values quoted in this data sheet are provided for guidance.

## Looking for pricing, stock, or lifecycle information?

Click below to explore more details on WIN SOURCE:

- ⊖ [View MAX1725EUK-T on WIN SOURCE](#)
- ⊖ [Maxim Integrated Information](#)

## Optimize Your Supply Chain with WIN SOURCE Solutions

- ✓ Global Sourcing Solution
- ✓ Obsolete Management
- ✓ Cost Control Management
- ✓ Shortage Management
- ✓ Alternative Solution
- ✓ Excess Inventory Management