



**THE DATASHEET OF
MAX4887ETE+**



MAXIM

Triple Video Switch

MAX4887

General Description

The MAX4887 triple, high-frequency switch is intended for notebooks and monitors to permit RGB signals to be switched from one driver to one of two loads (1:2) or one of two sources to be connected to one load (2:1). The MAX4887 high-performance switch utilizes n-channel architecture with internal high-drive pullup from a low-noise charge pump, resulting in very low on-capacitance.

The MAX4887 features 5Ω (typ) on-resistance switches with 10pF on-capacitances for routing RGB video signals. A logic input enables or disables the internal charge pump for optimal frequency performances when operating at lower input voltages resulting in standby supply current less than $3\mu\text{A}$. All RGB inputs/outputs are ESD protected to $\pm 8\text{kV}$ Human Body Model (HBM) and feature a global input ($\overline{\text{EN}}$) that places all inputs and outputs in a high-impedance state.

The MAX4887 is available in a small 3mm x 3mm, 16-pin TQFN package for ease of assembly and flowthrough layout, resulting in minimum space requirement and simplicity in board layout. The MAX4887 operates over the -40°C to $+85^\circ\text{C}$ temperature range.

Applications

Notebook Computers
Servers and Routers
Docking Stations
PC/HDTV Monitors

Features

- ◆ +3V/+5V Single-Supply Operation
- ◆ Low R_{ON}
 5Ω ($V_+ = 5\text{V}$)
- ◆ Low 10pF (typ) C_{ON}
- ◆ Global ENABLE Input to Turn On/Off Switches
- ◆ Break-Before-Make Switching
- ◆ $\pm 8\text{kV}$ HBM ESD Protection per IEC1000-4-2 on I/Os
- ◆ Less than 1mA Supply Current (Charge Pump Enabled)
- ◆ Less than $3\mu\text{A}$ Standby Mode
- ◆ Charge-Pump Noise Lower than $163\mu\text{V}_{\text{p-p}}$
- ◆ Flowthrough Layout for Easy Board Layout
- ◆ Space-Saving Lead-Free (3mm x 3mm) 16-Pin TQFN Package

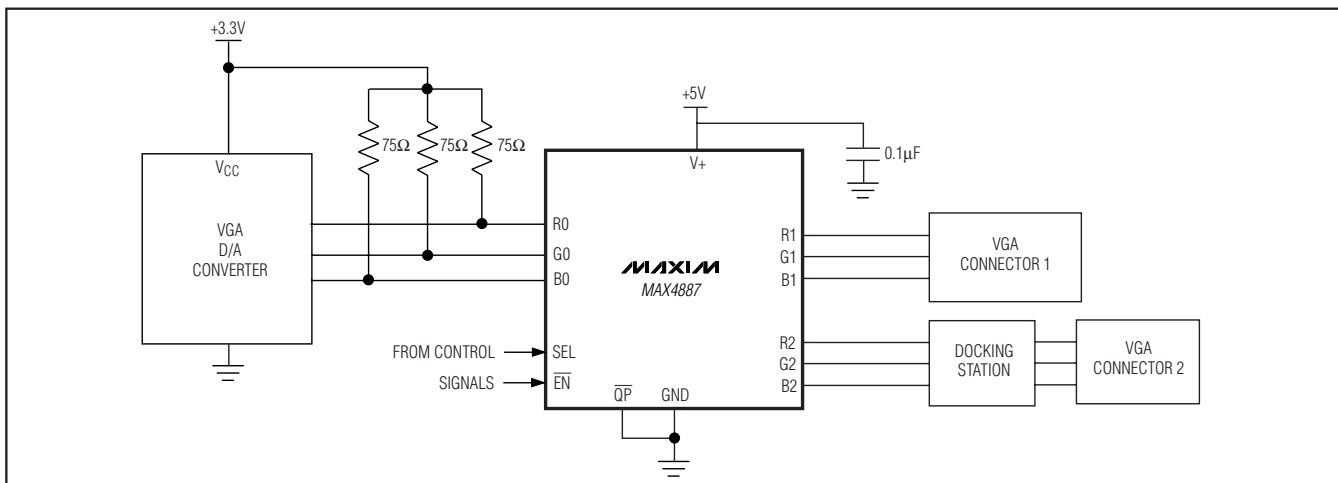
Ordering Information

PART	TEMP RANGE	PIN-PACKAGE	TOP MARK	PKG CODE
MAX4887ETE	-40°C to $+85^\circ\text{C}$	16 TQFN-EP* 3mm x 3mm	AEF	T1633-4

*EP = Exposed paddle.

The MAX4887 is available only in a lead-free package. Specify lead-free by adding the + symbol at the end of the part number when ordering.

Typical Operating Circuit



Triple Video Switch

ABSOLUTE MAXIMUM RATINGS

(All voltages referenced to GND.)

V+	-0.3V to +6V
R ₋ , G ₋ , B ₋ , SEL, \overline{QP} , \overline{EN} (Note 1)	-0.3V to (V+ + 0.3V)
Continuous Current through Any Switch	±120mA
Peak Current through Any Switch (pulsed at 1ms, 10% duty cycle)	±240mA

Continuous Power Dissipation (T_A = +70°C)

16-Pin Thin QFN-EP (derate 15.6mW/°C above +70°C)	1250mW
Operating Temperature Range	-40°C to +85°C
Storage Temperature Range	-65°C to +150°C
Junction Temperature	+150°C
Lead Temperature (soldering, 10s)	+300°C

Note 1: Signals exceeding V+ or GND are clamped by internal diodes. Limit forward-diode current to maximum current rating.

Stresses beyond those listed under "Absolute Maximum Ratings" may cause permanent damage to the device. These are stress ratings only, and functional operation of the device at these or any other conditions beyond those indicated in the operational sections of the specifications is not implied. Exposure to absolute maximum rating conditions for extended periods may affect device reliability.

DC ELECTRICAL CHARACTERISTICS—5V SUPPLY

(V+ = 5V, \overline{QP} = GND, T_A = T_{MIN} to T_{MAX}. Typical values are at T_A = +25°C, unless otherwise noted.) (Note 2)

PARAMETER	SYMBOL	CONDITIONS	MIN	TYP	MAX	UNITS
Power-Supply Voltage Range			4.5		5.5	V
Quiescent Supply Current	I ₊	V+ = +5.5V	\overline{QP} = GND	0.5	1	mA
			\overline{QP} = V+	1	3	μA
RGB SWITCHES						
On-Resistance	R _{ON}	V _{IN} = +1.5V, I _{IN} = -25mA	\overline{QP} = GND	5	6.5	Ω
			\overline{QP} = V+	6	7.5	
On-Resistance Matching	ΔR _{ON}	0.3V < V _{IN} < +2V, I _{IN} = -25mA (Note 3)	\overline{QP} = GND	0.5	1.3	Ω
			\overline{QP} = V+	0.7	1.5	
On-Resistance Flatness	R _{FLAT(ON)}	0 < V _{IN} < +2V, I _{IN} = -25mA	\overline{QP} = GND	0.5	1	Ω
			\overline{QP} = V+	0.7	1.8	
On-Resistance Flatness	R _{FLAT(ON)}	0 < V _{IN} < +1.5V, I _{IN} = -25mA	\overline{QP} = GND	0.5	1	Ω
			\overline{QP} = V+	0.7	1.55	
On-Leakage Current	I _{L(ON)}	R ₋ , G ₋ , B ₋ = 0.7V, 4.8V; \overline{EN} = GND	-1		+1	μA
Off-Leakage Current	I _{L(OFF)}	R ₋ , G ₋ , B ₋ = 0.7V, 4.8V; \overline{EN} = GND		300		pA
LOGIC INPUTS (SEL, \overline{EN}, \overline{QP})						
Input Low Voltage	V _{IL}	V+ = 4.5V			0.8	V
		V+ = 5.5V			0.8	
Input High Voltage	V _{IH}	V+ = 4.5V	2.0			V
		V+ = 5.5V	2.0			
Input Leakage Current	I _{LEAK}		-1		+1	μA
ESD PROTECTION						
ESD Protection		Human Body Model, R ₋ , G ₋ , B ₋		±8		kV
		Human Body Model, SEL, \overline{EN} , \overline{QP}		±2		

Triple Video Switch

MAX4887

AC ELECTRICAL CHARACTERISTICS—5V SUPPLY

(V+ = +5V, \overline{QP} = GND, T_A = T_{MIN} to T_{MAX}. Typical values are at T_A = +25°C, unless otherwise noted.) (Note 2)

PARAMETER	SYMBOL	CONDITIONS	MIN	TYP	MAX	UNITS
Charge-Pump Noise	V _{QP}	R _S = R _L = 50Ω		163		μV _{P-P}
Turn-On Time	t _{ON}	V _{IN} = +4.5V, R _L = 100Ω, Figure 2			20	μs
Charge Injection		V _{GEN} = 0V, R _{GEN} = 0Ω, C _L = 1.0nF, Figure 3		28		pC
Propagation Delay	t _{PLH} /t _{PHL}	C _L = 10pF, R _S = R _L = 50Ω, Figure 4 (Note 3)			400	ps
Output Skew Between Ports	t _{SKEW}	Skew between any two ports: R, G, B; Figure 4 (Note 3)			350	ps
3dB Bandwidth	f _{MAX}	R _S = R _L = 50Ω, Figure 6		500		MHz
Off-Isolation		R _S = R _L = 50Ω, V _{INL} = 1V _{P-P} , f = 50MHz, Figure 5		-58		dB
Insertion Loss	I _{LOS}	1MHz < f < 50MHz, R _S = R _L = 50Ω	\overline{QP} = GND	0.5		dB
			\overline{QP} = V+	0.5		
Crosstalk	V _{CT}	f < 50MHz, V _{IN} = 1V _{P-P} , R _S = R _L = 50Ω, Figure 5		-40		dB
Off-Capacitance	C _{OFF}	f = 1MHz, (R,G,B) ₀ to (R,G,B) _{1,2}		6		pF
On-Capacitance	C _{ON}	f = 1MHz		10		pF

ELECTRICAL CHARACTERISTICS—3.3V SUPPLY

(V+ = +3.3V, \overline{QP} = GND, T_A = T_{MIN} to T_{MAX}. Typical values are at T_A = +25°C, unless otherwise noted.) (Note 2)

PARAMETER	SYMBOL	CONDITIONS	MIN	TYP	MAX	UNITS
Power-Supply Voltage Range			3.0		3.6	V
Quiescent Supply Current	I ₊	V+ = +3.6V		0.5	1	mA
RGB SWITCHES						
On-Resistance	R _{ON}	V = +3V, V _{IN} = +1.5V, I _{IN} = -25mA		6	7	Ω
On-Resistance Matching	ΔR _{ON}	0 < V _{IN} < +2V, I _{IN} = -25mA (Note 3)		0.8	1.2	Ω
On-Resistance Flatness	R _{FLAT(ON)}	0 < V _{IN} < +2V, I _{IN} = -25mA		0.9	1.4	Ω
On-Leakage Current	I _{L(ON)}	R ₋ , G ₋ , B ₋ = 0V or +3.6V, \overline{EN} = GND	-1		+1	μA
Off-Leakage Current	I _{L(OFF)}	R ₋ , G ₋ , B ₋ = 0V or +3.6V, \overline{EN} = V+		200		pA
LOGIC INPUTS (SEL, \overline{EN}, \overline{QP})						
Input Low Voltage	V _{IL}	V+ = 3.0V			0.8	V
		V+ = 3.6V			0.8	
Input High Voltage	V _{IH}	V+ = 3.0V	2.0			V
		V+ = 3.6V	2.0			
Input Leakage Current	I _{LEAK}		-1		+1	μA
ESD PROTECTION						
ESD Protection		Human Body Model, R ₋ , G ₋ , B ₋		±8		kV
		Human Body Model, SEL, \overline{EN} , \overline{QP}		±2		

Triple Video Switch

AC ELECTRICAL CHARACTERISTICS—3.3V SUPPLY

($V_+ = +3.3V$, $\overline{QP} = GND$, $T_A = T_{MIN}$ to T_{MAX} . Typical values are at $T_A = +25^\circ C$, unless otherwise noted.) (Note 2)

PARAMETER	SYMBOL	CONDITIONS	MIN	TYP	MAX	UNITS
Charge-Pump Noise	V_{QP}	$R_S = R_L = 50\Omega$		100		μV_{P-P}
Turn-On Time	t_{ON}	$V_{IN} = +3V$, $R_L = 100\Omega$, Figure 2			25	μs
Charge Injection		$V_{GEN} = 0V$, $R_{GEN} = 0\Omega$, $C_L = 1.0nF$, Figure 3		21		pC
Propagation Delay	t_{PHL}/t_{PLH}	$C_L = 10pF$, $R_S = R_L = 50\Omega$, Figure 4 (Note 3)			400	ps
Output Skew Between Ports	t_{SKEW}	Skew between any two ports: R, G, B, Figure 5 (Note 3)			350	ps
3dB Bandwidth	f_{MAX}	$R_S = R_L = 50\Omega$, Figure 5		500		MHz
Insertion Loss	I_{LOS}	$1MHz < f < 50MHz$, $R_S = R_L = 50\Omega$		0.6		dB
Crosstalk	V_{CT}	$f < 50MHz$, $R_S = R_L = 50\Omega$, Figure 5		-40		dB
Off-Isolation		$R_S = R_L = 50\Omega$, $V_{INL} = 1V_{P-P}$, $f = 50MHz$, Figure 5		-55		dB
Off-Capacitance	C_{OFF}	$f = 1MHz$, (R,G,B) ₀ to (R,G,B) _{1,2}		6		pF
On-Capacitance	C_{ON}	$f = 1MHz$		10		pF

Note 2: Maximum and minimum limits over temperature are guaranteed by design and characterization. Device is production tested at $T_A = +85^\circ C$.

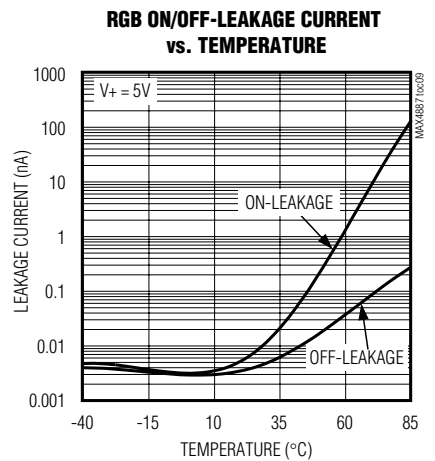
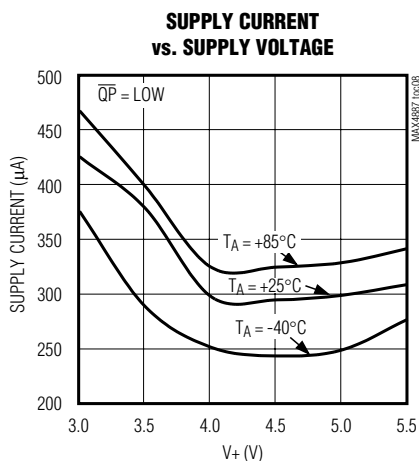
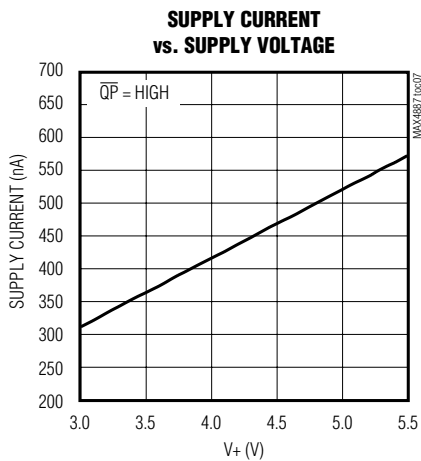
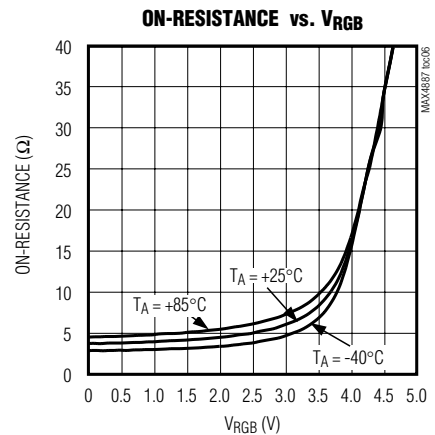
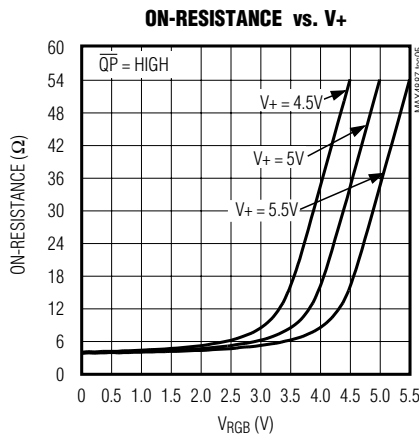
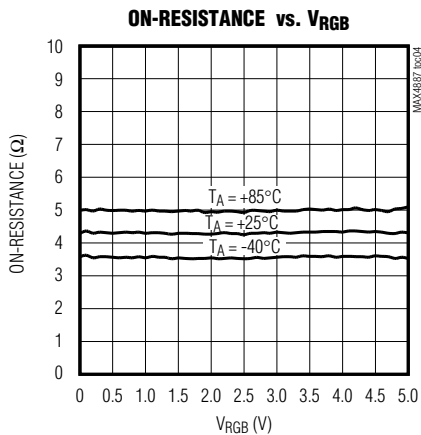
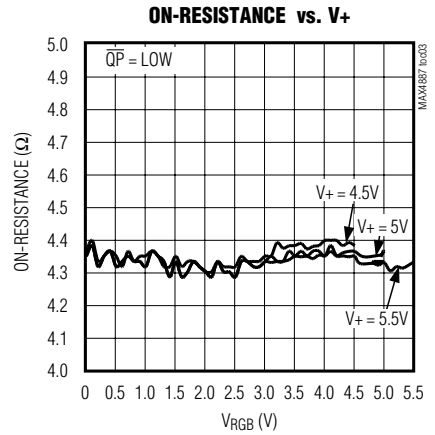
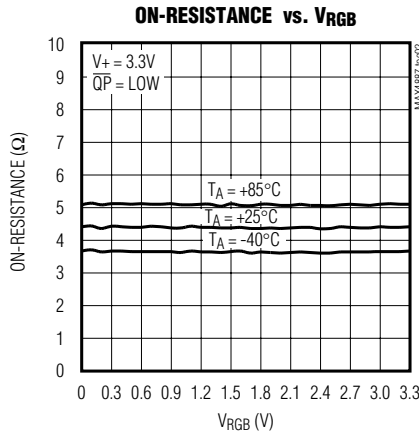
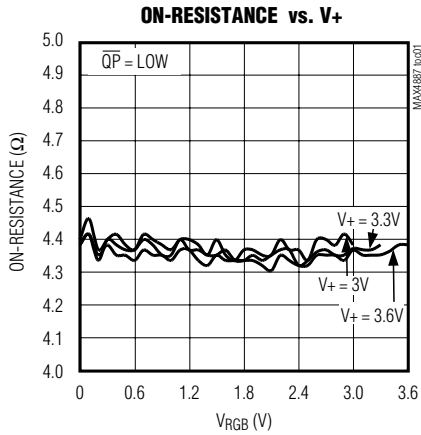
Note 3: Guaranteed by design.

Triple Video Switch

MAX4887

Typical Operating Characteristics

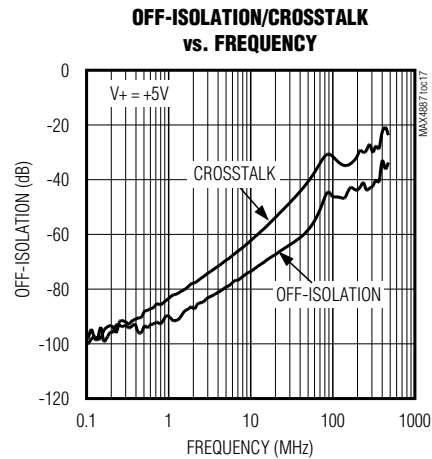
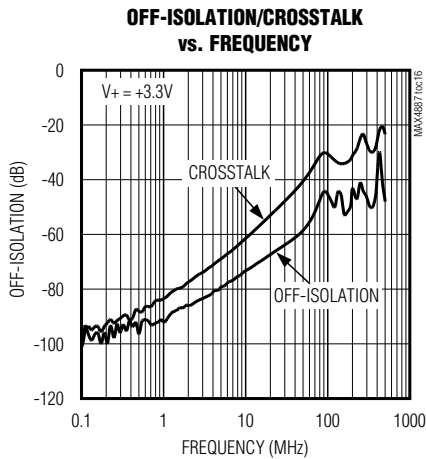
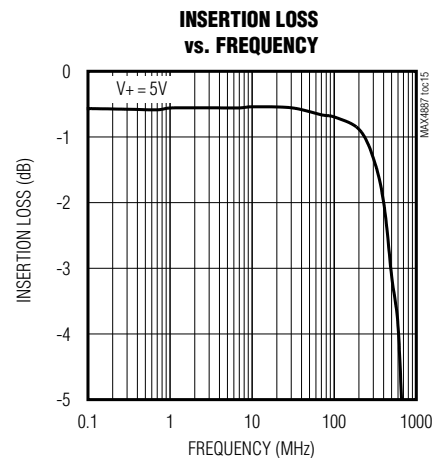
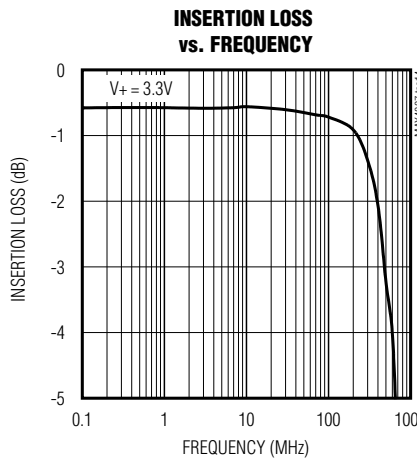
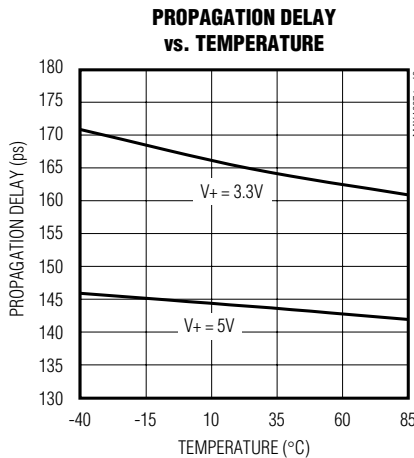
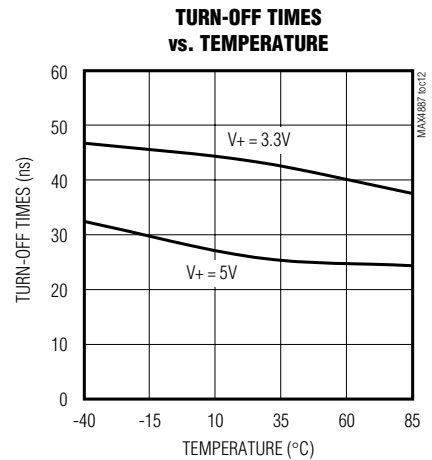
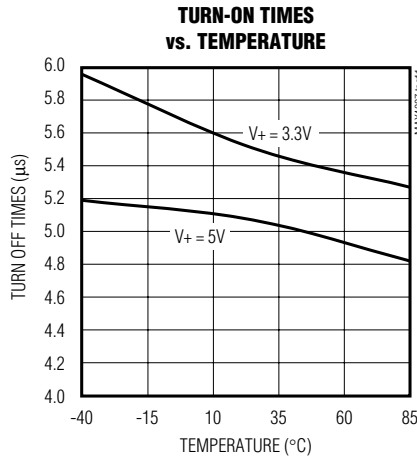
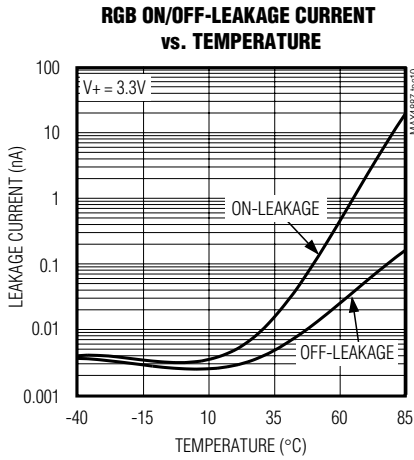
($T_A = +25^\circ\text{C}$, unless otherwise noted.)



Triple Video Switch

Typical Operating Characteristics (continued)

($T_A = +25^\circ\text{C}$, unless otherwise noted.)



Triple Video Switch

MAX4887

Pin Description

PIN	NAME	FUNCTION
1	V+	Supply Voltage Input. Bypass V+ to GND with a 0.1 μ F or larger ceramic capacitor.
2	R0	RGB Input/Output
3	G0	RGB Input/Output
4	B0	RGB Input/Output
5	GND	Ground
6	$\overline{\text{EN}}$	Active-Low Enable Input. Drive $\overline{\text{EN}}$ high to disable the MAX4887. All I/Os are high impedance when the device is disabled. Drive EN low for normal operation.
7, 14	N.C.	Not Internally Connected
8	R1	RGB Input/Output
9	G1	RGB Input/Output
10	B1	RGB Input/Output
11	B2	RGB Input/Output
12	G2	RGB Input/Output
13	R2	RGB Input/Output
15	SEL	Select Input. Logic input for switching RGB switches (see Table 1).
16	$\overline{\text{QP}}$	Active-Low Charge-Pump Enable. Drive $\overline{\text{QP}}$ high to disable the internal charge pump (for V+ = 5V only). RGB switch operates with reduced performance when the charge pump is disabled. Drive $\overline{\text{QP}}$ low for normal operation.
EP	EP	Exposed Pad. Connect exposed pad to ground plane.

Detailed Description

The MAX4887 triple, high-frequency switch is intended for notebooks and monitors permitting RGB (red, green, blue) signals to be switched from one driver to one of two loads (1:2) or one of two sources to be connected to one load (2:1). The MAX4887 provides three SPDT high-bandwidth switches to route standard VGA R, G, and B signals (see Table 1).

A boosted gate-drive voltage is generated by an internal charge pump to enhance the performance of the RGB switches. The MAX4887 high-performance switch utilizes n-channel architecture with internal high-drive pullup from a low-noise charge pump resulting in very low on-capacitance. The RGB switches function with reduced performance when the charge pump is disabled (V+ > 5V). The MAX4887's global input ($\overline{\text{EN}}$) places all inputs/outputs in a high-impedance state, providing rejection of all signals.

The R₋, G₋, and B₋ analog switches are identical, and any of the three switches can be used to route red, green, or blue video signals. All RGB inputs/outputs are ESD protected to $\pm 8\text{kV}$ Human Body Model (HBM).

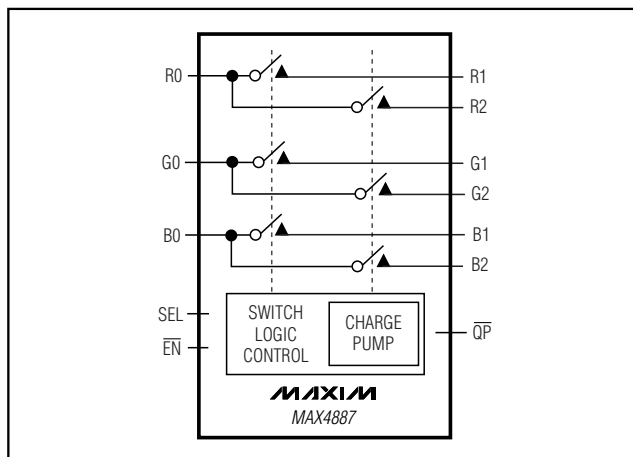


Figure 1. Functional Diagram

Analog Signal Levels

Analog signal inputs over the full voltage range (0 to V+) are passed through the switch with minimal change in on-resistance ($\overline{\text{QP}}$ = low). When $\overline{\text{QP}}$ = high, the switches can operate within 1V of V+. The switches are bidirectional; therefore, R₋, G₋, and B₋ can be either inputs or outputs.

Triple Video Switch

Timing Diagrams/Test Circuits

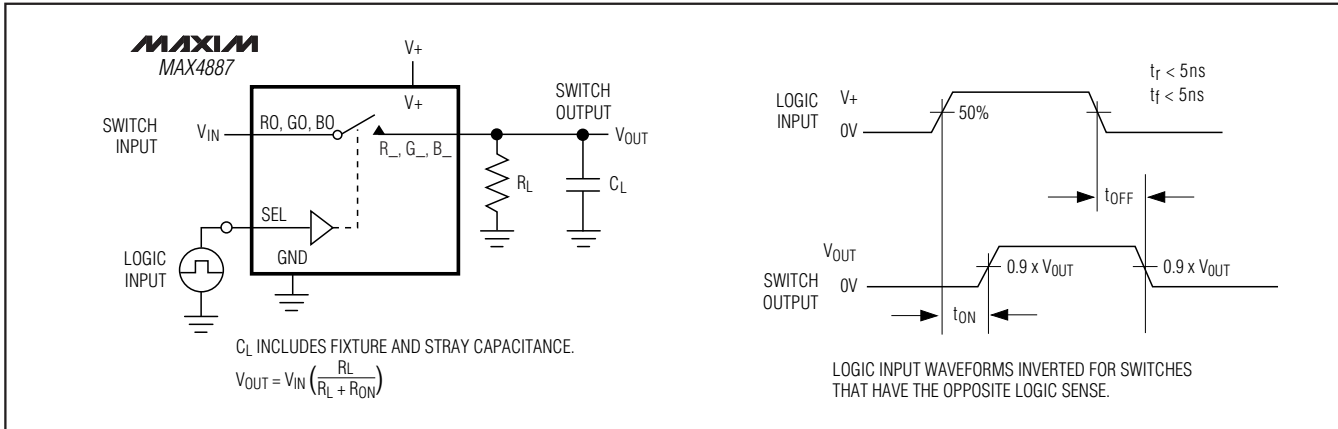


Figure 2. Switching Time

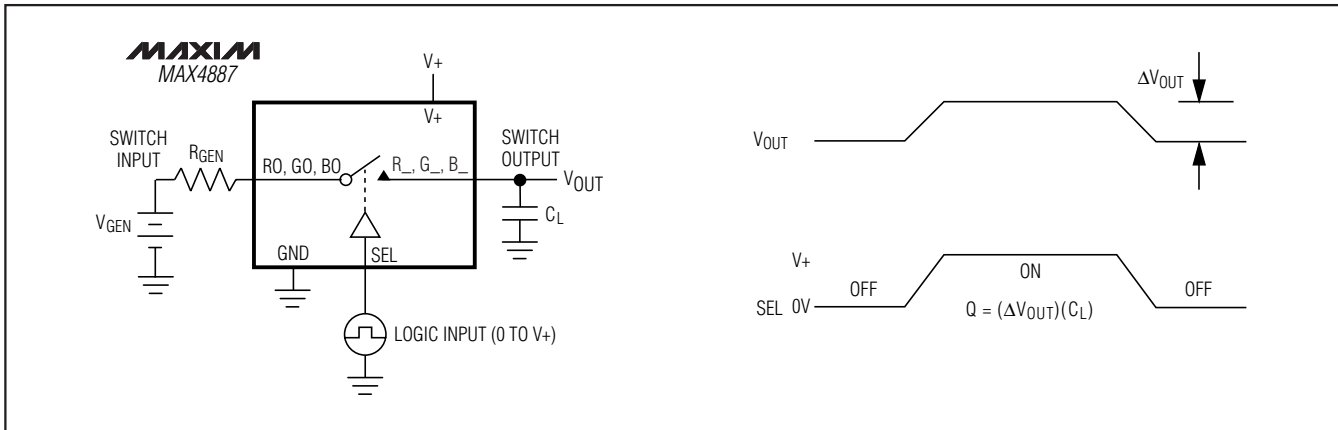


Figure 3. Charge Injection

Charge Pump

A low-noise charge pump with internal capacitors provides a doubled voltage for driving the RGB analog switches when operating the MAX4887 at low voltages ($V_{+} < 5V$). The charge pump adds less than 163 μ Vp-p of noise to the switches. When operating with $V_{+} = 5V$, the charge pump can be disabled to further reduce noise; however, the analog switch's performance is slightly degraded resulting in higher R_{ON} and insertion loss. Drive \overline{QP} high to disable the charge pump. Drive \overline{QP} low for normal operation.

When operating the MAX4887 at 3.3V, connect \overline{QP} to GND.

Logic Inputs (\overline{EN} , SEL)

The MAX4887 has two logic inputs that control the switch configuration and on/off function. Use SEL to switch (RGB)₀ to (RGB)₁ or (RGB)₂. Use \overline{EN} to connect the switch inputs to the outputs. Drive \overline{EN} low to enable the RGB switches inputs/outputs. Drive \overline{EN} high to place all inputs/outputs in a high-impedance state. Table 1 illustrates the MAX4887 truth table.

Table 1. Switch Truth Table

\overline{EN}	SEL	FUNCTION
0	0	(RGB) ₀ to (RGB) ₁
0	1	(RGB) ₀ to (RGB) ₂
1	X	R_, B_, and G_ High Impedance

Triple Video Switch

MAX4887

Timing Diagrams/Test Circuits (continued)

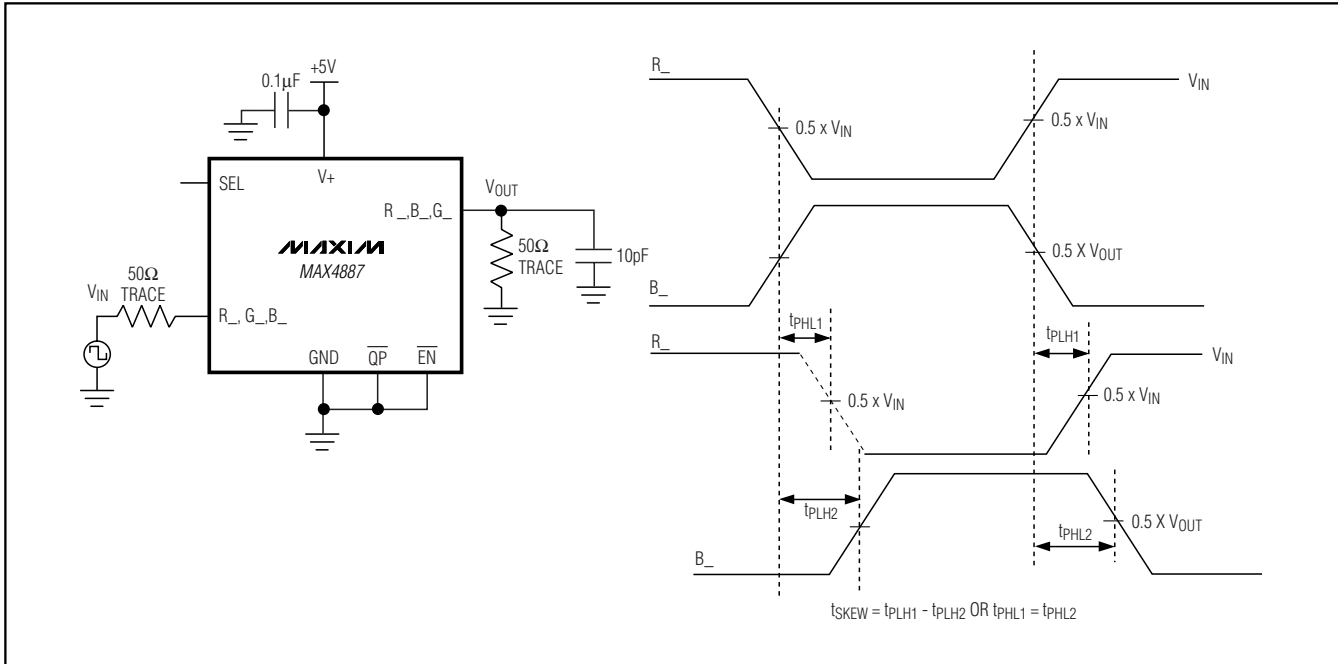


Figure 4. Propagation Delay and Skew Measurement

Applications Information

Power-Supply Bypassing and Sequencing

Proper power-supply sequencing is recommended for all CMOS devices. Do not exceed the absolute maximum ratings because stresses beyond the listed ratings can cause permanent damage to the device. Always sequence V+ on first, followed by R_, G_, or B_ and the logic inputs. Bypass V+ to ground with a 0.1µF or larger ceramic capacitor as close to the device as possible.

Layout

High-speed switches such as the MAX4887 require proper PC board layout for optimum performance. Ensure that impedance-controlled PC board traces for high-speed signals are matched in length and as short as possible. Connect the exposed paddle to a solid ground plane.

ESD Protection

As with all Maxim devices, ESD-protection structures are incorporated to protect against electrostatic discharges encountered during handling and assembly on all pins. Additionally, the MAX4887 is protected to ±8kV Human Body Model (HBM) on all switches.

Human Body Model

Several ESD testing standards exist for measuring the robustness of ESD structures. The ESD protection of the MAX4887 is characterized with the Human Body Model. Figure 6 shows the model used to simulate an ESD event resulting from contact with the human body. The model consists of a 100pF storage capacitor that is charged to a high voltage, then discharged through a 1.5kΩ resistor. Figure 7 shows the current waveform when the storage capacitor is discharged into a low impedance.

ESD Test Conditions

ESD performance depends on a variety of conditions. Please contact Maxim for a reliability report documenting test setup, methodology, and results.

Additional Applications Information

Figure 8 illustrates the MAX4887 being used in a laptop in a 2:1 configuration (one of two sources connected to a load). The switch assumes the dedicated DVD player chip outputs R, G, B video, and the MAX4887 switches between normal VGA graphics and the dedicated DVD device.

Triple Video Switch

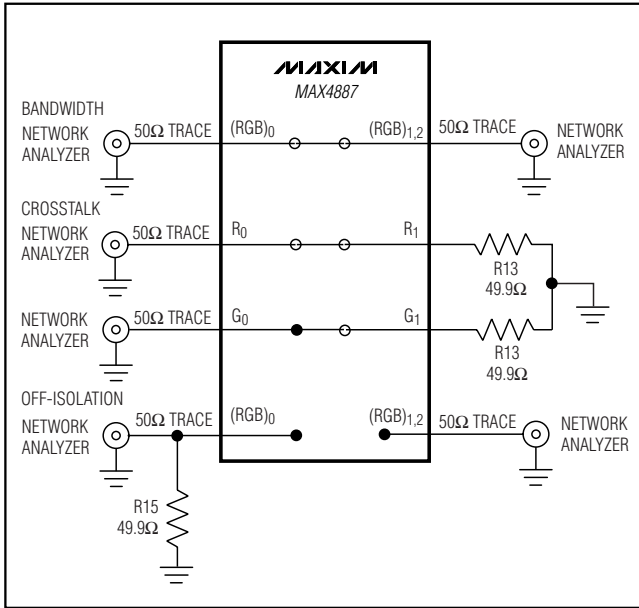


Figure 5. On-Loss, Off-Isolation, and Crosstalk

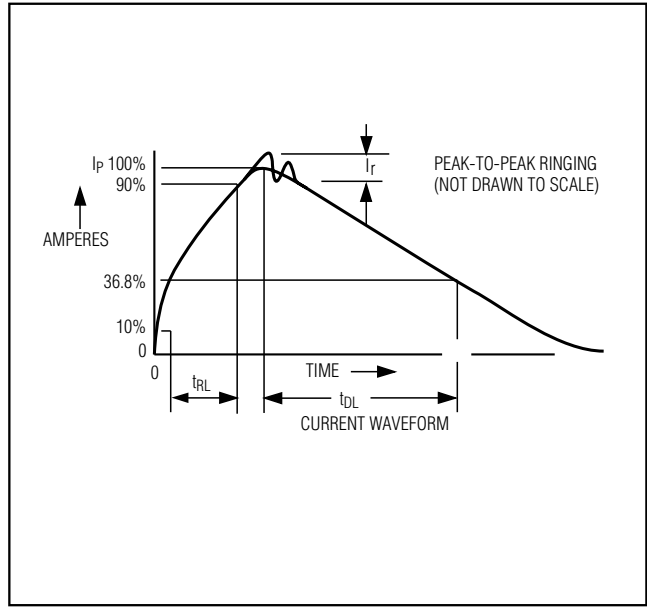


Figure 7. HBM Discharge Current Waveform

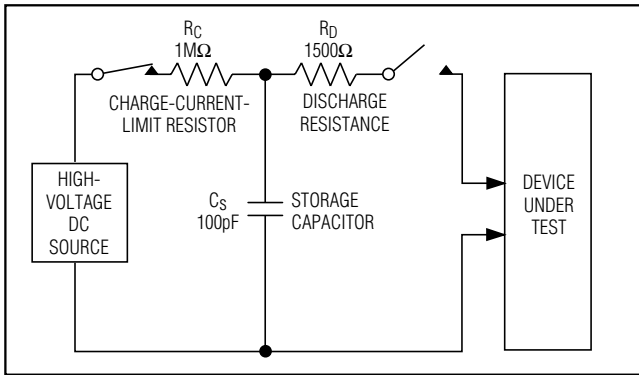


Figure 6. Human Body ESD Test Model

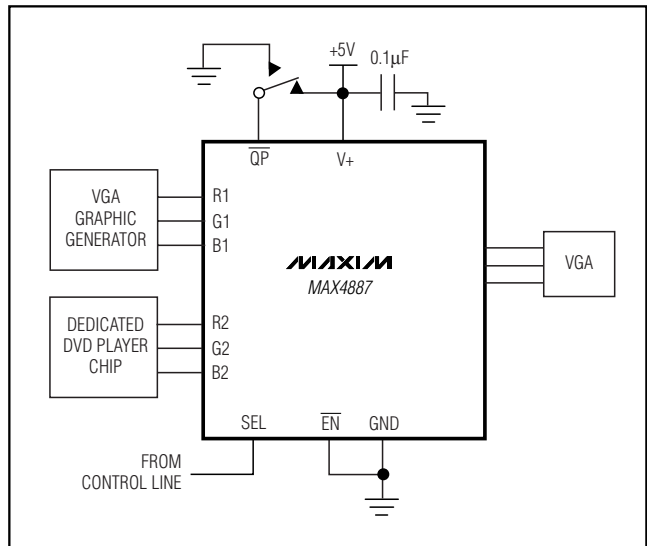
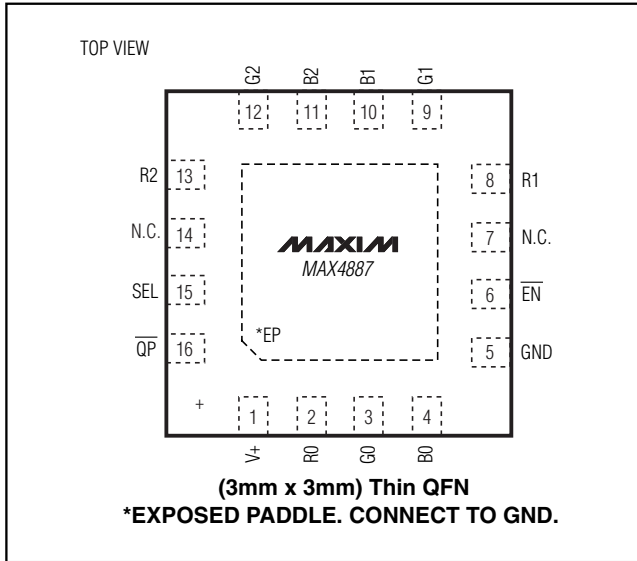


Figure 8. The MAX4887 Used in a 2:1 MUX Configuration

Triple Video Switch

MAX4887

Pin Configuration



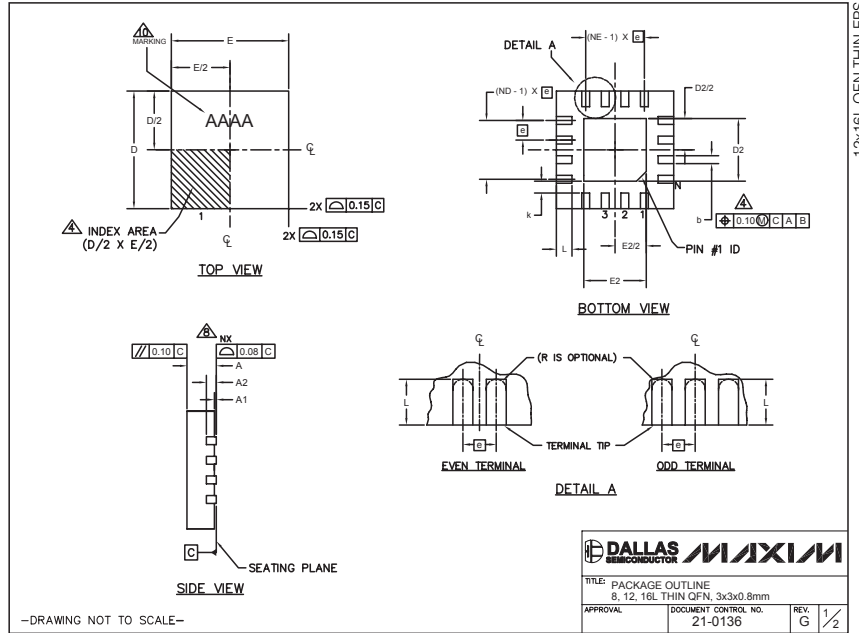
Chip Information

PROCESS: BiCMOS

Triple Video Switch

Package Information

(The package drawing(s) in this data sheet may not reflect the most current specifications. For the latest package outline information, go to www.maxim-ic.com/packages.)



PKG	8L 3x3			12L 3x3			16L 3x3		
REF.	MIN.	NOM.	MAX.	MIN.	NOM.	MAX.	MIN.	NOM.	MAX.
A	0.70	0.75	0.80	0.70	0.75	0.80	0.70	0.75	0.80
b	0.25	0.30	0.35	0.20	0.25	0.30	0.20	0.25	0.30
D	2.90	3.00	3.10	2.90	3.00	3.10	2.90	3.00	3.10
E	2.90	3.00	3.10	2.90	3.00	3.10	2.90	3.00	3.10
e	0.65 BSC.			0.50 BSC.			0.50 BSC.		
L	0.35	0.65	0.75	0.45	0.55	0.65	0.30	0.40	0.50
N	8			12			16		
ND	2			3			4		
NE	2			3			4		
A1	0	0.02	0.05	0	0.02	0.05	0	0.02	0.05
A2	0.20 REF			0.20 REF			0.20 REF		
k	0.25	-	-	0.25	-	-	0.25	-	-

PKG CODES	D2			E2			PIN ID	JEDEC	DOWN BONDS ALLOWED
	MIN.	NOM.	MAX.	MIN.	NOM.	MAX.			
TQ833-1	0.25	0.70	1.25	0.25	0.70	1.25	0.35 x 45°	WEEC	NO
T1233-1	0.95	1.10	1.25	0.95	1.10	1.25	0.35 x 45°	WEED-1	NO
T1233-3	0.95	1.10	1.25	0.95	1.10	1.25	0.35 x 45°	WEED-1	YES
T1233-4	0.95	1.10	1.25	0.95	1.10	1.25	0.35 x 45°	WEED-1	YES
T1633-1	0.95	1.10	1.25	0.95	1.10	1.25	0.35 x 45°	WEED-2	NO
T1633-2	0.95	1.10	1.25	0.95	1.10	1.25	0.35 x 45°	WEED-2	YES
T1633F-3	0.65	0.80	0.95	0.65	0.80	0.95	0.225 x 45°	WEED-2	N/A
T1633FH-3	0.65	0.80	0.95	0.65	0.80	0.95	0.225 x 45°	WEED-2	N/A
T1633-4	0.95	1.10	1.25	0.95	1.10	1.25	0.35 x 45°	WEED-2	NO

NOTES:

- DIMENSIONING & TOLERANCING CONFORM TO ASME Y14.5M-1994.
- ALL DIMENSIONS ARE IN MILLIMETERS. ANGLES ARE IN DEGREES.
- N IS THE TOTAL NUMBER OF TERMINALS.
- THE TERMINAL #1 IDENTIFIER AND TERMINAL NUMBERING CONVENTION SHALL CONFORM TO JEDEC 95-1 SPP-012. DETAILS OF TERMINAL #1 IDENTIFIER ARE OPTIONAL, BUT MUST BE LOCATED WITHIN THE ZONE INDICATED. THE TERMINAL #1 IDENTIFIER MAY BE EITHER A MOLD OR MARKED FEATURE.
- DIMENSION b APPLIES TO METALLIZED TERMINAL AND IS MEASURED BETWEEN 0.20 mm AND 0.25 mm FROM TERMINAL TIP.
- ND AND NE REFER TO THE NUMBER OF TERMINALS ON EACH D AND E SIDE RESPECTIVELY.
- DEPOPULATION IS POSSIBLE IN A SYMMETRICAL FASHION.
- COPLANARITY APPLIES TO THE EXPOSED HEAT SINK SLUG AS WELL AS THE TERMINALS.
- DRAWING CONFORMS TO JEDEC MO220 REVISION C.
- MARKING IS FOR PACKAGE ORIENTATION REFERENCE ONLY.
- NUMBER OF LEADS SHOWN ARE FOR REFERENCE ONLY.

The drawing is labeled 'DALLAS SEMICONDUCTOR MAXIM'. A title block contains: TITLE: PACKAGE OUTLINE 8, 12, 16L THIN QFN, 3x3x0.8mm; APPROVAL: [blank]; DOCUMENT CONTROL NO.: 21-0136; REV: G; 2/2.

Maxim cannot assume responsibility for use of any circuitry other than circuitry entirely embodied in a Maxim product. No circuit patent licenses are implied. Maxim reserves the right to change the circuitry and specifications without notice at any time.

12 **Maxim Integrated Products, 120 San Gabriel Drive, Sunnyvale, CA 94086 408-737-7600**

Looking for pricing, stock, or lifecycle information?

Click below to explore more details on WIN SOURCE:

 [View MAX4887ETE+ on WIN SOURCE](#)

 [Maxim Integrated](#) Information

Optimize Your Supply Chain with WIN SOURCE Solutions

-  Global Sourcing Solution
-  Obsolete Management
-  Cost Control Management
-  Shortage Management
-  Alternative Solution
-  Excess Inventory Management