



**THE DATASHEET OF  
MT49H16M36BM-33:B TR**



# CIO RLDRAM 2

**MT49H64M9 – 64 Meg x 9 x 8 Banks**

**MT49H32M18 – 32 Meg x 18 x 8 Banks**

**MT49H16M36 – 16 Meg x 36 x 8 Banks**

## Features

- 533 MHz DDR operation (1.067 Gb/s/pin data rate)
- 38.4 Gb/s peak bandwidth (x36 at 533 MHz clock frequency)
- Organization
  - 64 Meg x 9, 32 Meg x 18, and 16 Meg x 36 I/O
  - 8 banks
- Reduced cycle time (15ns at 533 MHz)
- Nonmultiplexed addresses (address multiplexing option available)
- SRAM-type interface
- Programmable READ latency (RL), row cycle time, and burst sequence length
- Balanced READ and WRITE latencies in order to optimize data bus utilization
- Data mask for WRITE commands
- Differential input clocks (CK, CK#)
- Differential input data clocks (DKx, DKx#)
- On-die DLL generates CK edge-aligned data and output data clock signals
- Data valid signal (QVLD)
- 32ms refresh (16K refresh for each bank; 128K refresh command must be issued in total each 32ms)
- HSTL I/O (1.5V or 1.8V nominal)
- 25–60Ω matched impedance outputs
- 2.5V<sub>EXT</sub>, 1.8V<sub>DD</sub>, 1.5V or 1.8V<sub>DDQ</sub> I/O
- On-die termination (ODT) R<sub>TT</sub>

## Options<sup>1</sup>

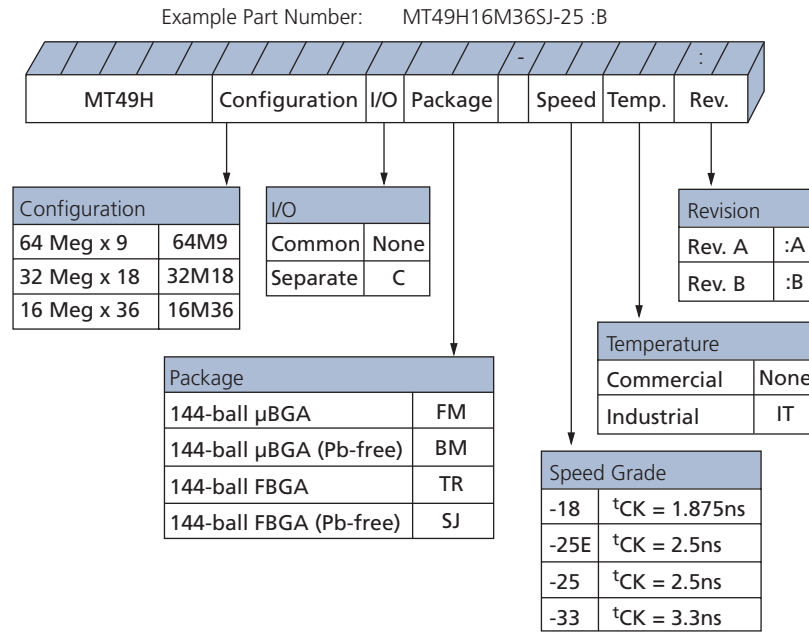
- |  |       |
|--|-------|
| • Clock cycle timing   |       |
| – 1.875ns @ <sup>t</sup> RC = 15ns   | -18   |
| – 2.5ns @ <sup>t</sup> RC = 15ns   | -25E  |
| – 2.5ns @ <sup>t</sup> RC = 20ns   | -25   |
| – 3.3ns @ <sup>t</sup> RC = 20ns   | -33   |
| • Configuration  |       |
| – 64 Meg x 9   | 64M9  |
| – 32 Meg x 18  | 32M18 |
| – 16 Meg x 36  | 16M36 |
| • Operating temperature  |       |
| – Commercial (0° to +95°C)   | None  |
| – Industrial (T <sub>C</sub> = –40°C to +95°C;<br>T <sub>A</sub> = –40°C to +85°C) | IT    |
| • Package  |       |
| – 144-ball μBGA  | FM    |
| – 144-ball μBGA (Pb-free)  | BM    |
| – 144-ball FBGA  | TR    |
| – 144-ball FBGA (Pb-free)  | SJ    |
| • Revision   | :A/:B |

Note: 1. Not all options listed can be combined to define an offered product. Use the part catalog search on [www.micron.com](http://www.micron.com) for available offerings.

## BGA Marking Decoder

Due to space limitations, BGA-packaged components have an abbreviated part marking that is different from the part number. Micron's BGA Part Marking Decoder is available on Micron's web site at [micron.com](http://micron.com).

**Figure 1: Part Numbers**



## Contents

|  |    |
|--|----|
| General Description .....                              | 7  |
| Functional Block Diagrams .....                        | 8  |
| Ball Assignments and Descriptions .....                | 11 |
| Package Dimensions .....                               | 16 |
| Electrical Specifications – I <sub>DD</sub> .....      | 18 |
| Absolute Maximum Ratings .....                         | 22 |
| AC and DC Operating Conditions .....                   | 23 |
| Input Slew Rate Derating .....                         | 26 |
| Notes .....  | 31 |
| Temperature and Thermal Impedance .....                | 32 |
| Commands .....   | 34 |
| MODE REGISTER SET (MRS) .....                          | 35 |
| Configuration Tables .....                             | 37 |
| Burst Length (BL) .....                                | 37 |
| Address Multiplexing .....                             | 39 |
| DLL RESET .....  | 39 |
| Drive Impedance Matching .....                         | 39 |
| On-Die Termination (ODT) .....                         | 40 |
| WRITE .....  | 41 |
| READ .....   | 42 |
| AUTO REFRESH (AREF) .....                              | 43 |
| INITIALIZATION .....                                   | 43 |
| WRITE .....  | 47 |
| READ .....   | 52 |
| AUTO REFRESH .....                                     | 60 |
| On-Die Termination .....                               | 61 |
| Multiplexed Address Mode .....                         | 64 |
| Address Mapping in Multiplexed Address Mode .....      | 67 |
| Configuration Tables in Multiplexed Address Mode ..... | 67 |
| REFRESH Command in Multiplexed Address Mode .....      | 68 |
| IEEE 1149.1 Serial Boundary Scan (JTAG) .....          | 72 |
| Disabling the JTAG Feature .....                       | 72 |
| Test Access Port (TAP) .....                           | 72 |
| Test Clock (TCK) .....                                 | 72 |
| Test Mode Select (TMS) .....                           | 72 |
| Test Data-In (TDI) .....                               | 73 |
| Test Data-Out (TDO) .....                              | 73 |
| TAP Controller .....                                   | 73 |
| Test-Logic-Reset .....                                 | 73 |
| Run-Test/Idle .....                                    | 73 |
| Select-DR-Scan .....                                   | 73 |
| Capture-DR .....                                       | 73 |
| Shift-DR .....   | 73 |
| Exit1-DR, Pause-DR, and Exit2-DR .....                 | 74 |
| Update-DR .....  | 74 |
| Instruction Register States .....                      | 74 |
| Performing a TAP RESET .....                           | 75 |
| TAP Registers .....                                    | 75 |
| Instruction Register .....                             | 75 |
| Bypass Register .....                                  | 75 |



## 576Mb: x9 x18 x36 CIO RLDRAM 2 Features

---

|                                    |    |
|------------------------------------|----|
| Boundary Scan Register .....       | 76 |
| Identification (ID) Register ..... | 76 |
| TAP Instruction Set .....          | 76 |
| EXTEST .....                       | 77 |
| IDCODE .....                       | 77 |
| High-Z .....                       | 77 |
| CLAMP .....                        | 77 |
| SAMPLE/PRELOAD .....               | 77 |
| BYPASS .....                       | 78 |
| Reserved for Future Use .....      | 78 |

## List of Figures

|   |    |
|---|----|
| Figure 1: Part Numbers .....  | 2  |
| Figure 2: Simplified State Diagram .....  | 7  |
| Figure 3: 64 Meg x 9 Functional Block Diagram .....                                 | 8  |
| Figure 4: 32 Meg x 18 Functional Block Diagram .....                                | 9  |
| Figure 5: 16 Meg x 36 Functional Block Diagram .....                                | 10 |
| Figure 6: 144-Ball $\mu$ BGA .....  | 16 |
| Figure 7: 144-Ball FBGA .....   | 17 |
| Figure 8: Clock Input .....   | 25 |
| Figure 9: Nominal $t_{AS}/t_{CS}/t_{DS}$ and $t_{AH}/t_{CH}/t_{DH}$ Slew Rate ..... | 29 |
| Figure 10: Example Temperature Test Point Location .....                            | 33 |
| Figure 11: MODE REGISTER Command .....  | 35 |
| Figure 12: Mode Register Definition in Nonmultiplexed Address Mode .....            | 36 |
| Figure 13: Read Burst Lengths .....   | 38 |
| Figure 14: On-Die Termination-Equivalent Circuit .....                              | 40 |
| Figure 15: WRITE Command .....  | 41 |
| Figure 16: READ Command .....   | 42 |
| Figure 17: AUTO REFRESH Command .....   | 43 |
| Figure 18: Power-Up/Initialization Sequence .....                                   | 45 |
| Figure 19: Power-Up/Initialization Flow Chart .....                                 | 46 |
| Figure 20: WRITE Burst .....  | 47 |
| Figure 21: Consecutive WRITE-to-WRITE .....   | 48 |
| Figure 22: WRITE-to-READ .....  | 49 |
| Figure 23: WRITE-to-READ (Separated by Two NOPs) .....                              | 50 |
| Figure 24: WRITE – DM Operation .....   | 51 |
| Figure 25: Basic READ Burst Timing .....  | 52 |
| Figure 26: Consecutive READ Bursts (BL = 2) .....                                   | 53 |
| Figure 27: Consecutive READ Bursts (BL = 4) .....                                   | 53 |
| Figure 28: READ-to-WRITE .....  | 54 |
| Figure 29: Read Data Valid Window for x9 Device .....                               | 55 |
| Figure 30: Read Data Valid Window for x18 Device .....                              | 56 |
| Figure 31: Read Data Valid Window for x36 Device .....                              | 58 |
| Figure 32: AUTO REFRESH Cycle .....   | 60 |
| Figure 33: READ Burst with ODT .....  | 61 |
| Figure 34: READ-NOP-READ with ODT .....   | 62 |
| Figure 35: READ-to-WRITE with ODT .....   | 63 |
| Figure 36: Command Description in Multiplexed Address Mode .....                    | 64 |
| Figure 37: Power-Up/Initialization Sequence in Multiplexed Address Mode .....       | 65 |
| Figure 38: Mode Register Definition in Multiplexed Address Mode .....               | 66 |
| Figure 39: Burst REFRESH Operation with Multiplexed Addressing .....                | 68 |
| Figure 40: Consecutive WRITE Bursts with Multiplexed Addressing .....               | 68 |
| Figure 41: WRITE-to-READ with Multiplexed Addressing .....                          | 69 |
| Figure 42: Consecutive READ Bursts with Multiplexed Addressing .....                | 70 |
| Figure 43: READ-to-WRITE with Multiplexed Addressing .....                          | 70 |
| Figure 44: TAP Controller State Diagram .....                                       | 74 |
| Figure 45: TAP Controller Block Diagram .....                                       | 75 |
| Figure 46: JTAG Operation – Loading Instruction Code and Shifting Out Data .....    | 78 |
| Figure 47: TAP Timing .....   | 79 |

## List of Tables

|   |    |
|---|----|
| Table 1: 64 Meg x 9 Ball Assignments (Top View) 144-Ball $\mu$ BGA .....                  | 11 |
| Table 2: 32 Meg x 18 Ball Assignments (Top View) 144-Ball $\mu$ BGA .....                 | 12 |
| Table 3: 16 Meg x 36 Ball Assignments (Top View) 144-Ball $\mu$ BGA .....                 | 13 |
| Table 4: Ball Descriptions .....  | 13 |
| Table 5: $I_{DD}$ Operating Conditions and Maximum Limits – Rev. A .....                  | 18 |
| Table 6: $I_{DD}$ Operating Conditions and Maximum Limits – Rev. B .....                  | 20 |
| Table 7: Absolute Maximum Ratings .....   | 22 |
| Table 8: DC Electrical Characteristics and Operating Conditions .....                     | 23 |
| Table 9: Input AC Logic Levels .....  | 24 |
| Table 10: Differential Input Clock Operating Conditions .....                             | 24 |
| Table 11: Address and Command Setup and Hold Derating Values .....                        | 26 |
| Table 12: Data Setup and Hold Derating Values .....                                       | 28 |
| Table 13: Capacitance – $\mu$ BGA .....   | 29 |
| Table 14: Capacitance – FBGA .....  | 29 |
| Table 15: AC Electrical Characteristics: -18, -25E, -25, -33 .....                        | 29 |
| Table 16: Temperature Limits .....  | 32 |
| Table 17: Thermal Impedance .....   | 33 |
| Table 18: Thermal Impedance .....   | 33 |
| Table 19: Description of Commands .....   | 34 |
| Table 20: Command Table .....   | 34 |
| Table 21: Cycle Time and READ/WRITE Latency Configuration Table .....                     | 37 |
| Table 22: Address Widths at Different Burst Lengths .....                                 | 38 |
| Table 23: On-Die Termination DC Parameters .....  | 40 |
| Table 24: 576Mb Address Mapping in Multiplexed Address Mode .....                         | 67 |
| Table 25: Cycle Time and READ/WRITE Latency Configuration Table in Multiplexed Mode ..... | 67 |
| Table 26: Instruction Codes .....   | 76 |
| Table 27: TAP Input AC Logic Levels .....   | 79 |
| Table 28: TAP AC Electrical Characteristics .....   | 79 |
| Table 29: TAP DC Electrical Characteristics and Operating Conditions .....                | 80 |
| Table 30: Identification Register Definitions .....                                       | 80 |
| Table 31: Scan Register Sizes .....   | 80 |
| Table 32: Boundary Scan (Exit) Order .....  | 81 |

## General Description

RLDRAM<sup>®</sup> 2 is a high-speed memory device designed for high bandwidth data storage, telecommunications, networking, and cache applications, etc. The chip's 8-bank architecture is optimized for sustainable high-speed operation.

The DDR I/O interface transfers two data words per clock cycle at the I/O balls. Output data is referenced to the free-running output data clock.

Commands, addresses, and control signals are registered at every positive edge of the differential input clock, while input data is registered at both positive and negative edges of the input data clock(s).

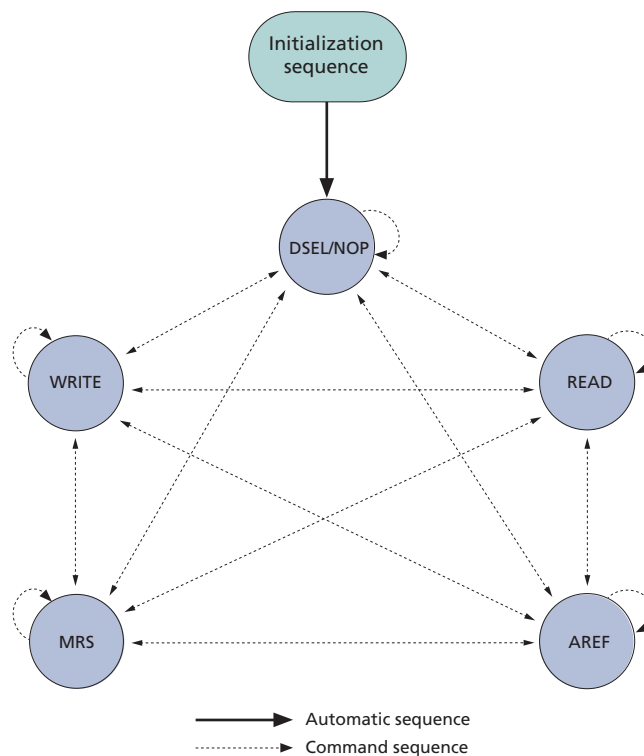
Read and write accesses are burst-oriented. The burst length (BL) is programmable from 2, 4, or 8 by setting the mode register.

The device is supplied with 2.5V and 1.8V for the core and 1.5V or 1.8V for the output drivers.

Bank-scheduled refresh is supported with the row address generated internally.

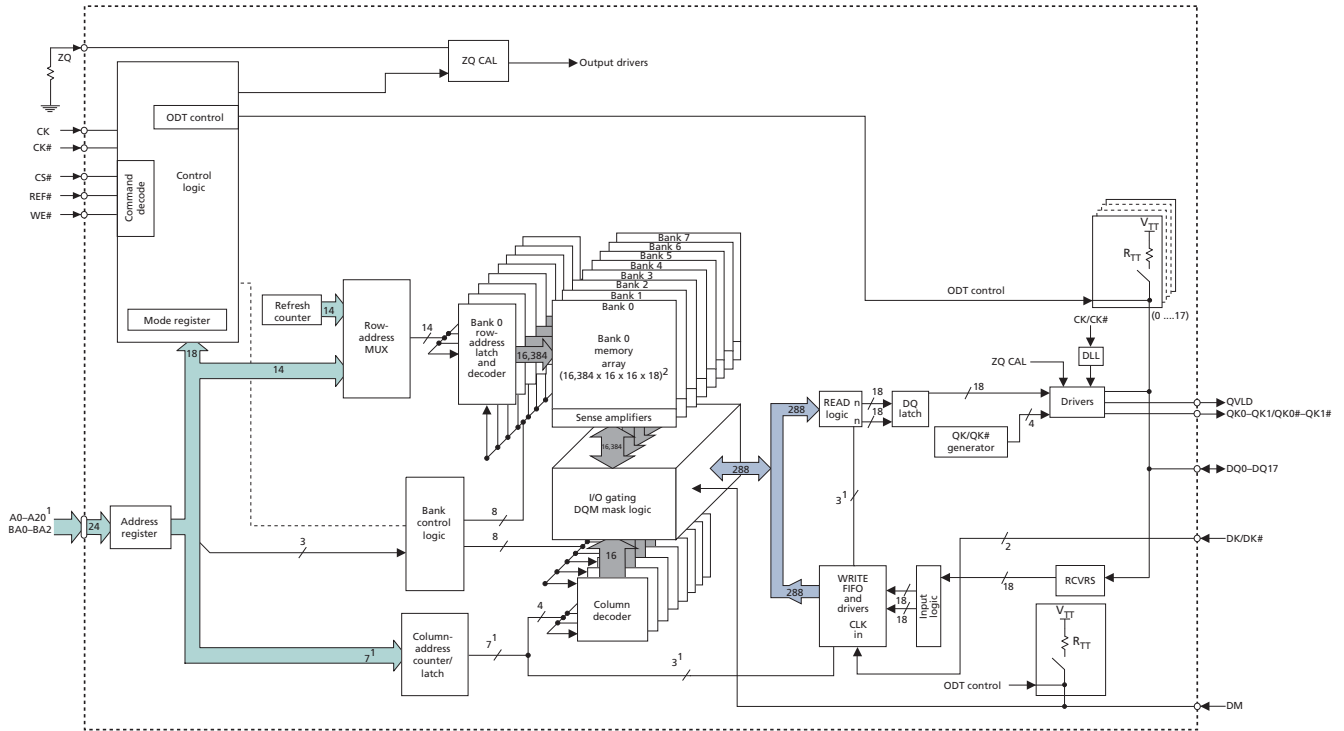
The µBGA 144-ball package enables ultra high-speed data transfer rates and a simple upgrade path from early generation devices.

**Figure 2: Simplified State Diagram**



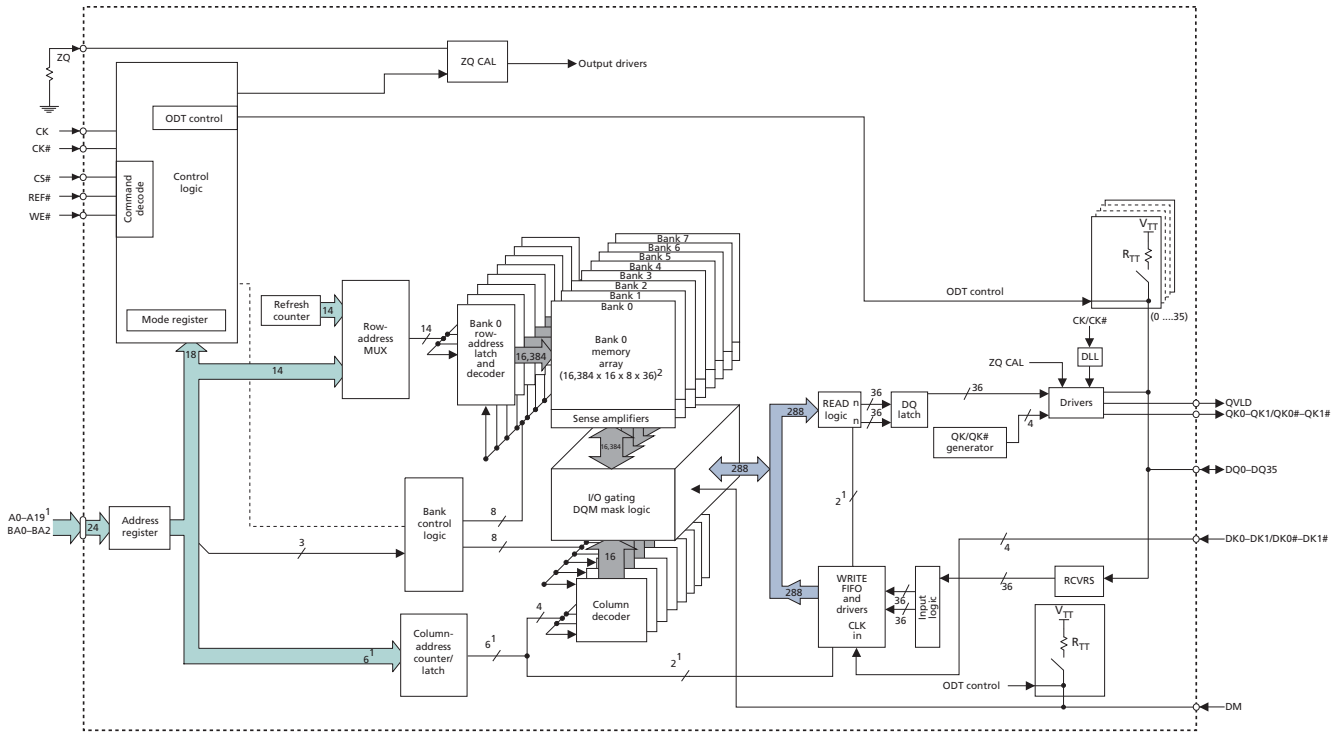
## Functional Block Diagrams

Figure 3: 64 Meg x 9 Functional Block Diagram



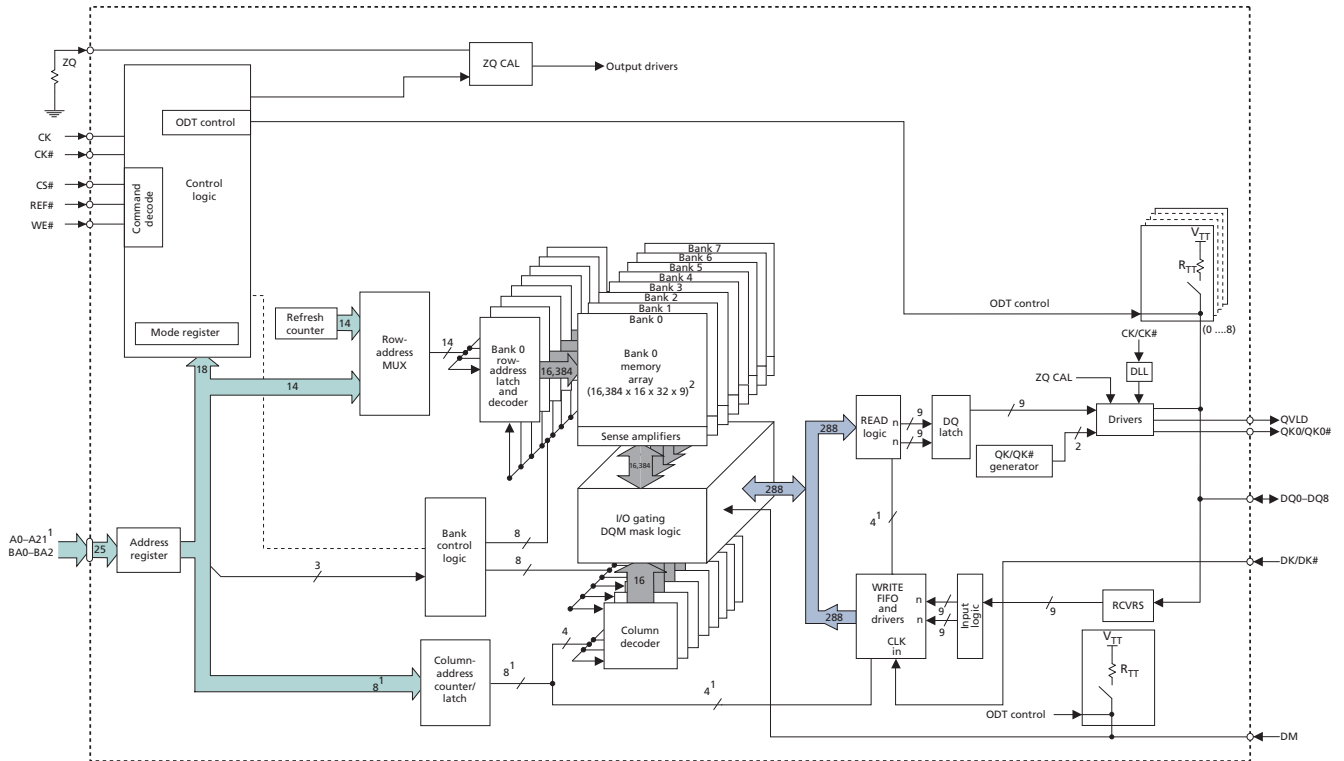
- Notes:
1. Example for BL = 2; column address will be reduced with an increase in burst length.
  2.  $32 = (\text{length of burst}) \times 2^{(\text{number of column addresses to WRITE FIFO and READ logic})}$ .

Figure 4: 32 Meg x 18 Functional Block Diagram



- Notes:
1. Example for BL = 2; column address will be reduced with an increase in burst length.
  2.  $16 = (\text{length of burst}) \times 2^{(\text{number of column addresses to WRITE FIFO and READ logic})}$ .

Figure 5: 16 Meg x 36 Functional Block Diagram



- Notes:
1. Example for BL = 2; column address will be reduced with an increase in burst length.
  2.  $8 = (\text{length of burst}) \times 2^{(\text{number of column addresses to WRITE FIFO and READ logic})}$ .

## Ball Assignments and Descriptions

**Table 1: 64 Meg x 9 Ball Assignments (Top View) 144-Ball  $\mu$ BGA**

|          | 1                | 2                | 3                | 4                | 5 | 6 | 7 | 8 | 9                | 10               | 11               | 12              |
|----------|------------------|------------------|------------------|------------------|---|---|---|---|------------------|------------------|------------------|-----------------|
| <b>A</b> | V <sub>REF</sub> | V <sub>SS</sub>  | V <sub>EXT</sub> | V <sub>SS</sub>  |   |   |   |   | V <sub>SS</sub>  | V <sub>EXT</sub> | TMS              | TCK             |
| <b>B</b> | V <sub>DD</sub>  | DNU <sup>3</sup> | DNU <sup>3</sup> | V <sub>SSQ</sub> |   |   |   |   | V <sub>SSQ</sub> | DQ0              | DNU <sup>3</sup> | V <sub>DD</sub> |
| <b>C</b> | V <sub>TT</sub>  | DNU <sup>3</sup> | DNU <sup>3</sup> | V <sub>DDQ</sub> |   |   |   |   | V <sub>DDQ</sub> | DQ1              | DNU <sup>3</sup> | V <sub>TT</sub> |
| <b>D</b> | A22 <sup>1</sup> | DNU <sup>3</sup> | DNU <sup>3</sup> | V <sub>SSQ</sub> |   |   |   |   | V <sub>SSQ</sub> | QK0#             | QK0              | V <sub>SS</sub> |
| <b>E</b> | A21              | DNU <sup>3</sup> | DNU <sup>3</sup> | V <sub>DDQ</sub> |   |   |   |   | V <sub>DDQ</sub> | DQ2              | DNU <sup>3</sup> | A20             |
| <b>F</b> | A5               | DNU <sup>3</sup> | DNU <sup>3</sup> | V <sub>SSQ</sub> |   |   |   |   | V <sub>SSQ</sub> | DQ3              | DNU <sup>3</sup> | QVLD            |
| <b>G</b> | A8               | A6               | A7               | V <sub>DD</sub>  |   |   |   |   | V <sub>DD</sub>  | A2               | A1               | A0              |
| <b>H</b> | B2               | A9               | V <sub>SS</sub>  | V <sub>SS</sub>  |   |   |   |   | V <sub>SS</sub>  | V <sub>SS</sub>  | A4               | A3              |
| <b>J</b> | NF <sup>2</sup>  | NF <sup>2</sup>  | V <sub>DD</sub>  | V <sub>DD</sub>  |   |   |   |   | V <sub>DD</sub>  | V <sub>DD</sub>  | B0               | CK              |
| <b>K</b> | DK               | DK#              | V <sub>DD</sub>  | V <sub>DD</sub>  |   |   |   |   | V <sub>DD</sub>  | V <sub>DD</sub>  | B1               | CK#             |
| <b>L</b> | REF#             | CS#              | V <sub>SS</sub>  | V <sub>SS</sub>  |   |   |   |   | V <sub>SS</sub>  | V <sub>SS</sub>  | A14              | A13             |
| <b>M</b> | WE#              | A16              | A17              | V <sub>DD</sub>  |   |   |   |   | V <sub>DD</sub>  | A12              | A11              | A10             |
| <b>N</b> | A18              | DNU <sup>3</sup> | DNU <sup>3</sup> | V <sub>SSQ</sub> |   |   |   |   | V <sub>SSQ</sub> | DQ4              | DNU <sup>3</sup> | A19             |
| <b>P</b> | A15              | DNU <sup>3</sup> | DNU <sup>3</sup> | V <sub>DDQ</sub> |   |   |   |   | V <sub>DDQ</sub> | DQ5              | DNU <sup>3</sup> | DM              |
| <b>R</b> | V <sub>SS</sub>  | DNU <sup>3</sup> | DNU <sup>3</sup> | V <sub>SSQ</sub> |   |   |   |   | V <sub>SSQ</sub> | DQ6              | DNU <sup>3</sup> | V <sub>SS</sub> |
| <b>T</b> | V <sub>TT</sub>  | DNU <sup>3</sup> | DNU <sup>4</sup> | V <sub>DDQ</sub> |   |   |   |   | V <sub>DDQ</sub> | DQ7              | DNU <sup>3</sup> | V <sub>TT</sub> |
| <b>U</b> | V <sub>DD</sub>  | DNU <sup>3</sup> | DNU <sup>3</sup> | V <sub>SSQ</sub> |   |   |   |   | V <sub>SSQ</sub> | DQ8              | DNU <sup>3</sup> | V <sub>DD</sub> |
| <b>V</b> | V <sub>REF</sub> | ZQ               | V <sub>EXT</sub> | V <sub>SS</sub>  |   |   |   |   | V <sub>SS</sub>  | V <sub>EXT</sub> | TDO              | TDI             |

- Notes:
1. Reserved for future use. This signal is not connected.
  2. No function. This signal is internally connected and has parasitic characteristics of a clock input signal. This may optionally be connected to GND.
  3. Do not use. This signal is internally connected and has parasitic characteristics of a I/O. This may optionally be connected to GND. Note that if ODT is enabled on Rev. A die, these pins will be connected to V<sub>TT</sub>. The DNU pins are High-Z on Rev. B die when ODT is enabled.

**Table 2: 32 Meg x 18 Ball Assignments (Top View) 144-Ball  $\mu$ BGA**

|          | 1                | 2                | 3                | 4                | 5 | 6 | 7 | 8 | 9                | 10               | 11               | 12              |
|----------|------------------|------------------|------------------|------------------|---|---|---|---|------------------|------------------|------------------|-----------------|
| <b>A</b> | V <sub>REF</sub> | V <sub>SS</sub>  | V <sub>EXT</sub> | V <sub>SS</sub>  |   |   |   |   | V <sub>SS</sub>  | V <sub>EXT</sub> | TMS              | TCK             |
| <b>B</b> | V <sub>DD</sub>  | DNU <sup>4</sup> | DQ4              | V <sub>SSQ</sub> |   |   |   |   | V <sub>SSQ</sub> | DQ0              | DNU <sup>4</sup> | V <sub>DD</sub> |
| <b>C</b> | V <sub>TT</sub>  | DNU <sup>4</sup> | DQ5              | V <sub>DDQ</sub> |   |   |   |   | V <sub>DDQ</sub> | DQ1              | DNU <sup>4</sup> | V <sub>TT</sub> |
| <b>D</b> | A22 <sup>1</sup> | DNU <sup>4</sup> | DQ6              | V <sub>SSQ</sub> |   |   |   |   | V <sub>SSQ</sub> | QK0#             | QK0              | V <sub>SS</sub> |
| <b>E</b> | A21 <sup>2</sup> | DNU <sup>4</sup> | DQ7              | V <sub>DDQ</sub> |   |   |   |   | V <sub>DDQ</sub> | DQ2              | DNU <sup>4</sup> | A20             |
| <b>F</b> | A5               | DNU <sup>4</sup> | DQ8              | V <sub>SSQ</sub> |   |   |   |   | V <sub>SSQ</sub> | DQ3              | DNU <sup>4</sup> | QVLD            |
| <b>G</b> | A8               | A6               | A7               | V <sub>DD</sub>  |   |   |   |   | V <sub>DD</sub>  | A2               | A1               | A0              |
| <b>H</b> | B2               | A9               | V <sub>SS</sub>  | V <sub>SS</sub>  |   |   |   |   | V <sub>SS</sub>  | V <sub>SS</sub>  | A4               | A3              |
| <b>J</b> | NF <sup>3</sup>  | NF <sup>3</sup>  | V <sub>DD</sub>  | V <sub>DD</sub>  |   |   |   |   | V <sub>DD</sub>  | V <sub>DD</sub>  | B0               | CK              |
| <b>K</b> | DK               | DK#              | V <sub>DD</sub>  | V <sub>DD</sub>  |   |   |   |   | V <sub>DD</sub>  | V <sub>DD</sub>  | B1               | CK#             |
| <b>L</b> | REF#             | CS#              | V <sub>SS</sub>  | V <sub>SS</sub>  |   |   |   |   | V <sub>SS</sub>  | V <sub>SS</sub>  | A14              | A13             |
| <b>M</b> | WE#              | A16              | A17              | V <sub>DD</sub>  |   |   |   |   | V <sub>DD</sub>  | A12              | A11              | A10             |
| <b>N</b> | A18              | DNU <sup>4</sup> | DQ14             | V <sub>SSQ</sub> |   |   |   |   | V <sub>SSQ</sub> | DQ9              | DNU <sup>4</sup> | A19             |
| <b>P</b> | A15              | DNU <sup>4</sup> | DQ15             | V <sub>DDQ</sub> |   |   |   |   | V <sub>DDQ</sub> | DQ10             | DNU <sup>4</sup> | DM              |
| <b>R</b> | V <sub>SS</sub>  | QK1              | QK1#             | V <sub>SSQ</sub> |   |   |   |   | V <sub>SSQ</sub> | DQ11             | DNU <sup>4</sup> | V <sub>SS</sub> |
| <b>T</b> | V <sub>TT</sub>  | DNU <sup>4</sup> | DQ16             | V <sub>DDQ</sub> |   |   |   |   | V <sub>DDQ</sub> | DQ12             | DNU <sup>4</sup> | V <sub>TT</sub> |
| <b>U</b> | V <sub>DD</sub>  | DNU <sup>4</sup> | DQ17             | V <sub>SSQ</sub> |   |   |   |   | V <sub>SSQ</sub> | DQ13             | DNU <sup>4</sup> | V <sub>DD</sub> |
| <b>V</b> | V <sub>REF</sub> | ZQ               | V <sub>EXT</sub> | V <sub>SS</sub>  |   |   |   |   | V <sub>SS</sub>  | V <sub>EXT</sub> | TDO              | TDI             |

- Notes:
1. Reserved for future use. This may optionally be connected to GND.
  2. Reserved for future use. This signal is internally connected and has parasitic characteristics of an address input signal. This may optionally be connected to GND.
  3. No function. This signal is internally connected and has parasitic characteristics of a clock input signal. This may optionally be connected to GND.
  4. Do not use. This signal is internally connected and has parasitic characteristics of a I/O. This may optionally be connected to GND. Note that if ODT is enabled on Rev. A die, these pins will be connected to V<sub>TT</sub>. The DNU pins are High-Z on Rev. B die when ODT is enabled.

**Table 3: 16 Meg x 36 Ball Assignments (Top View) 144-Ball  $\mu$ BGA**

|          | 1                | 2               | 3                | 4                | 5 | 6 | 7 | 8 | 9                | 10               | 11   | 12               |
|----------|------------------|-----------------|------------------|------------------|---|---|---|---|------------------|------------------|------|------------------|
| <b>A</b> | V <sub>REF</sub> | V <sub>SS</sub> | V <sub>EXT</sub> | V <sub>SS</sub>  |   |   |   |   | V <sub>SS</sub>  | V <sub>EXT</sub> | TMS  | TCK              |
| <b>B</b> | V <sub>DD</sub>  | DQ8             | DQ9              | V <sub>SSQ</sub> |   |   |   |   | V <sub>SSQ</sub> | DQ1              | DQ0  | V <sub>DD</sub>  |
| <b>C</b> | V <sub>TT</sub>  | DQ10            | DQ11             | V <sub>DDQ</sub> |   |   |   |   | V <sub>DDQ</sub> | DQ3              | DQ2  | V <sub>TT</sub>  |
| <b>D</b> | A22 <sup>1</sup> | DQ12            | DQ13             | V <sub>SSQ</sub> |   |   |   |   | V <sub>SSQ</sub> | QK0#             | QK0  | V <sub>SS</sub>  |
| <b>E</b> | A21 <sup>2</sup> | DQ14            | DQ15             | V <sub>DDQ</sub> |   |   |   |   | V <sub>DDQ</sub> | DQ5              | DQ4  | A20 <sup>2</sup> |
| <b>F</b> | A5               | DQ16            | DQ17             | V <sub>SSQ</sub> |   |   |   |   | V <sub>SSQ</sub> | DQ7              | DQ6  | QVLD             |
| <b>G</b> | A8               | A6              | A7               | V <sub>DD</sub>  |   |   |   |   | V <sub>DD</sub>  | A2               | A1   | A0               |
| <b>H</b> | B2               | A9              | V <sub>SS</sub>  | V <sub>SS</sub>  |   |   |   |   | V <sub>SS</sub>  | V <sub>SS</sub>  | A4   | A3               |
| <b>J</b> | DK0              | DK0#            | V <sub>DD</sub>  | V <sub>DD</sub>  |   |   |   |   | V <sub>DD</sub>  | V <sub>DD</sub>  | B0   | CK               |
| <b>K</b> | DK1              | DK1#            | V <sub>DD</sub>  | V <sub>DD</sub>  |   |   |   |   | V <sub>DD</sub>  | V <sub>DD</sub>  | B1   | CK#              |
| <b>L</b> | REF#             | CS#             | V <sub>SS</sub>  | V <sub>SS</sub>  |   |   |   |   | V <sub>SS</sub>  | V <sub>SS</sub>  | A14  | A13              |
| <b>M</b> | WE#              | A16             | A17              | V <sub>DD</sub>  |   |   |   |   | V <sub>DD</sub>  | A12              | A11  | A10              |
| <b>N</b> | A18              | DQ24            | DQ25             | V <sub>SSQ</sub> |   |   |   |   | V <sub>SSQ</sub> | DQ35             | DQ34 | A19              |
| <b>P</b> | A15              | DQ22            | DQ23             | V <sub>DDQ</sub> |   |   |   |   | V <sub>DDQ</sub> | DQ33             | DQ32 | DM               |
| <b>R</b> | V <sub>SS</sub>  | QK1             | QK1#             | V <sub>SSQ</sub> |   |   |   |   | V <sub>SSQ</sub> | DQ31             | DQ30 | V <sub>SS</sub>  |
| <b>T</b> | V <sub>TT</sub>  | DQ20            | DQ21             | V <sub>DDQ</sub> |   |   |   |   | V <sub>DDQ</sub> | DQ29             | DQ28 | V <sub>TT</sub>  |
| <b>U</b> | V <sub>DD</sub>  | DQ18            | DQ19             | V <sub>SSQ</sub> |   |   |   |   | V <sub>SSQ</sub> | DQ27             | DQ26 | V <sub>DD</sub>  |
| <b>V</b> | V <sub>REF</sub> | ZQ              | V <sub>EXT</sub> | V <sub>SS</sub>  |   |   |   |   | V <sub>SS</sub>  | V <sub>EXT</sub> | TDO  | TDI              |

- Notes:
1. Reserved for future use. This may optionally be connected to GND.
  2. Reserved for future use. This signal is internally connected and has parasitic characteristics of an address input signal. This may optionally be connected to GND.

**Table 4: Ball Descriptions**

| Symbol  | Type  | Description   |
|---------|-------|---|
| A0–A21  | Input | <b>Address inputs:</b> A0–A21 define the row and column addresses for READ and WRITE operations. During a MODE REGISTER SET, the address inputs define the register settings. They are sampled at the rising edge of CK.  |
| BA0–BA2 | Input | <b>Bank address inputs:</b> Select to which internal bank a command is being applied.   |
| CK, CK# | Input | <b>Input clock:</b> CK and CK# are differential input clocks. Addresses and commands are latched on the rising edge of CK. CK# is ideally 180 degrees out of phase with CK.   |
| CS#     | Input | <b>Chip select:</b> CS# enables the command decoder when LOW and disables it when HIGH. When the command decoder is disabled, new commands are ignored, but internal operations continue.   |
| DK, DK# | Input | <b>Input data clock:</b> DK and DK# are the differential input data clocks. All input data is referenced to both edges of DK. DK# is ideally 180 degrees out of phase with DK. For the x36 device, DQ0–DQ17 are referenced to DK0 and DK0# and DQ18–DQ35 are referenced to DK1 and DK1#. For the x9 and x18 devices, all DQs are referenced to DK and DK#. All DKx and DKx# pins must always be supplied to the device. |

**Table 4: Ball Descriptions (Continued)**

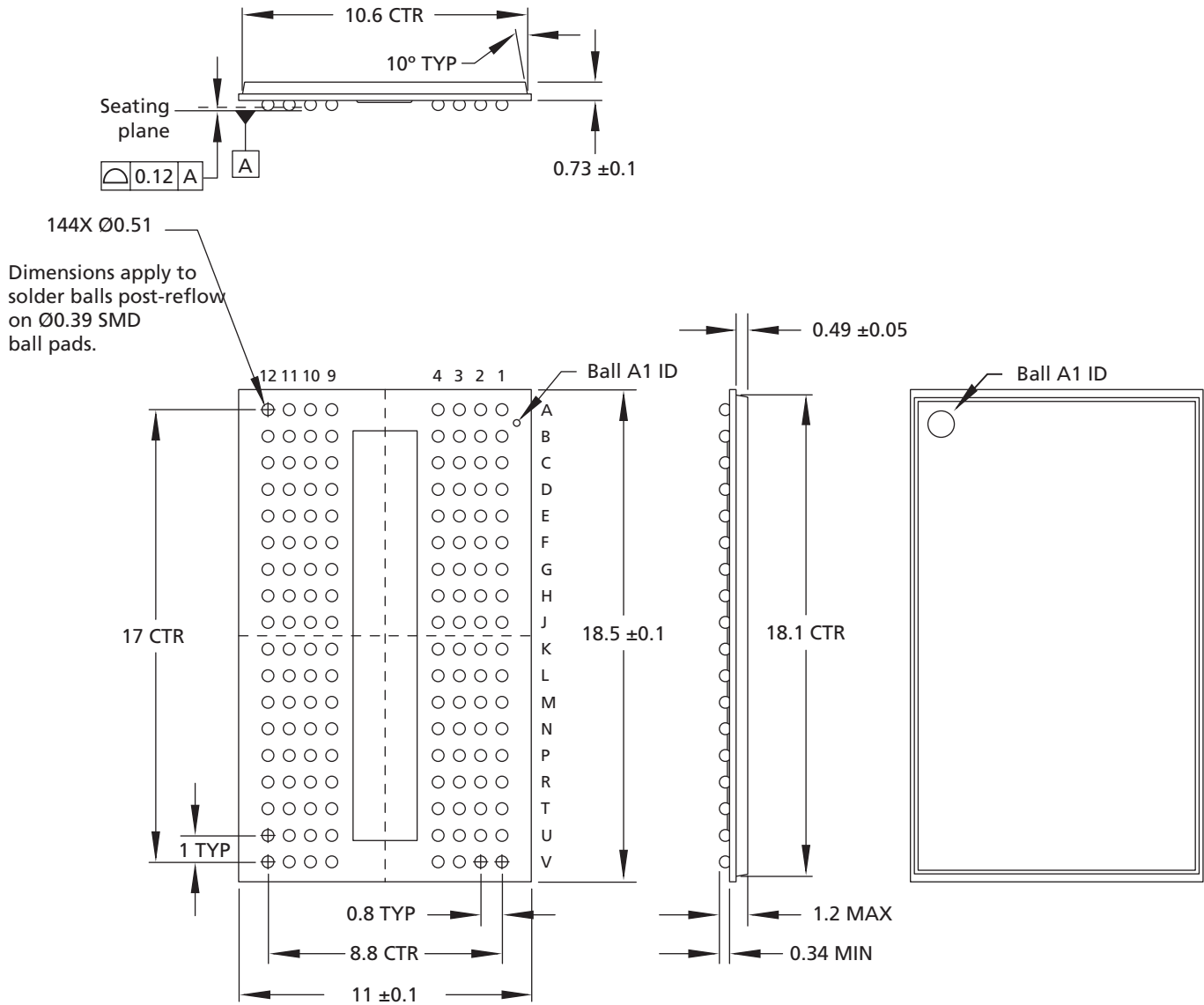
| Symbol    | Type      | Description   |
|-----------|-----------|---|
| DM        | Input     | <b>Input data mask:</b> The DM signal is the input mask signal for WRITE data. Input data is masked when DM is sampled HIGH. DM is sampled on both edges of DK (DK1 for the x36 configuration). Tie signal to ground if not used.   |
| TCK       | Input     | <b>IEEE 1149.1 clock input:</b> This ball must be tied to $V_{SS}$ if the JTAG function is not used.  |
| TMS, TDI  | Input     | <b>IEEE 1149.1 test inputs:</b> These balls may be left as no connects if the JTAG function is not used.  |
| WE#, REF# | Input     | <b>Command inputs:</b> Sampled at the positive edge of CK, WE# and REF# define (together with CS#) the command to be executed.  |
| DQ0–DQ35  | I/O       | <b>Data input:</b> The DQ signals form the 36-bit data bus. During READ commands, the data is referenced to both edges of QKx. During WRITE commands, the data is sampled at both edges of DK.  |
| QKx, QKx# | Output    | <b>Output data clocks:</b> QKx and QKx# are opposite polarity, output data clocks. They are free-running, and during READs, are edge-aligned with data output from the RLDRAM. QKx# is ideally 180 degrees out of phase with QKx. For the x36 device, QK0 and QK0# are aligned with DQ0–DQ17, and QK1 and QK1# are aligned with DQ18–DQ35. For the x18 device, QK0 and QK0# are aligned with DQ0–DQ8, while QK1 and QK1# are aligned with Q9–Q17. For the x9 device, all DQs are aligned with QK0 and QK0#. |
| QVLD      | Output    | <b>Data valid:</b> The QVLD pin indicates valid output data. QVLD is edge-aligned with QKx and QKx#.  |
| TDO       | Output    | <b>IEEE 1149.1 test output:</b> JTAG output. This ball may be left as no connect if the JTAG function is not used.  |
| ZQ        | Reference | <b>External impedance (25–60Ω):</b> This signal is used to tune the device outputs to the system data bus impedance. DQ output impedance is set to $0.2 \times RQ$ , where RQ is a resistor from this signal to ground. Connecting ZQ to GND invokes the minimum impedance mode. Connecting ZQ to $V_{DD}$ invokes the maximum impedance mode. Refer to Mode Register Definition in Nonmultiplexed Address Mode to activate this function.  |
| $V_{DD}$  | Supply    | <b>Power supply:</b> Nominally, 1.8V. See DC Electrical Characteristics and Operating Conditions for range.   |
| $V_{ddq}$ | Supply    | <b>DQ power supply:</b> Nominally, 1.5V or 1.8V. Isolated on the device for improved noise immunity. See DC Electrical Characteristics and Operating Conditions for range.  |
| $V_{EXT}$ | Supply    | <b>Power supply:</b> Nominally, 2.5V. See DC Electrical Characteristics and Operating Conditions for range.   |
| $V_{ref}$ | Supply    | <b>Input reference voltage:</b> Nominally $V_{ddq}/2$ . Provides a reference voltage for the input buffers.   |
| $V_{SS}$  | Supply    | Ground.   |
| $V_{SSQ}$ | Supply    | <b>DQ ground:</b> Isolated on the device for improved noise immunity.   |
| $V_{tt}$  | Supply    | <b>Power supply:</b> Isolated termination supply. Nominally, $V_{ddq}/2$ . See DC Electrical Characteristics and Operating Conditions for range.  |
| A22       | –         | <b>Reserved for future use:</b> This signal is not connected and may be connected to ground.  |

**Table 4: Ball Descriptions (Continued)**

| Symbol | Type | Description   |
|--------|------|---|
| DNU    | –    | <b>Do not use:</b> These balls may be connected to ground. Note that if ODT is enabled on Rev. A die, these pins will be connected to $V_{tt}$ . The DNU pins are High-Z on Rev. B die when ODT is enabled. |
| NF     | –    | <b>No function:</b> These balls can be connected to ground.   |

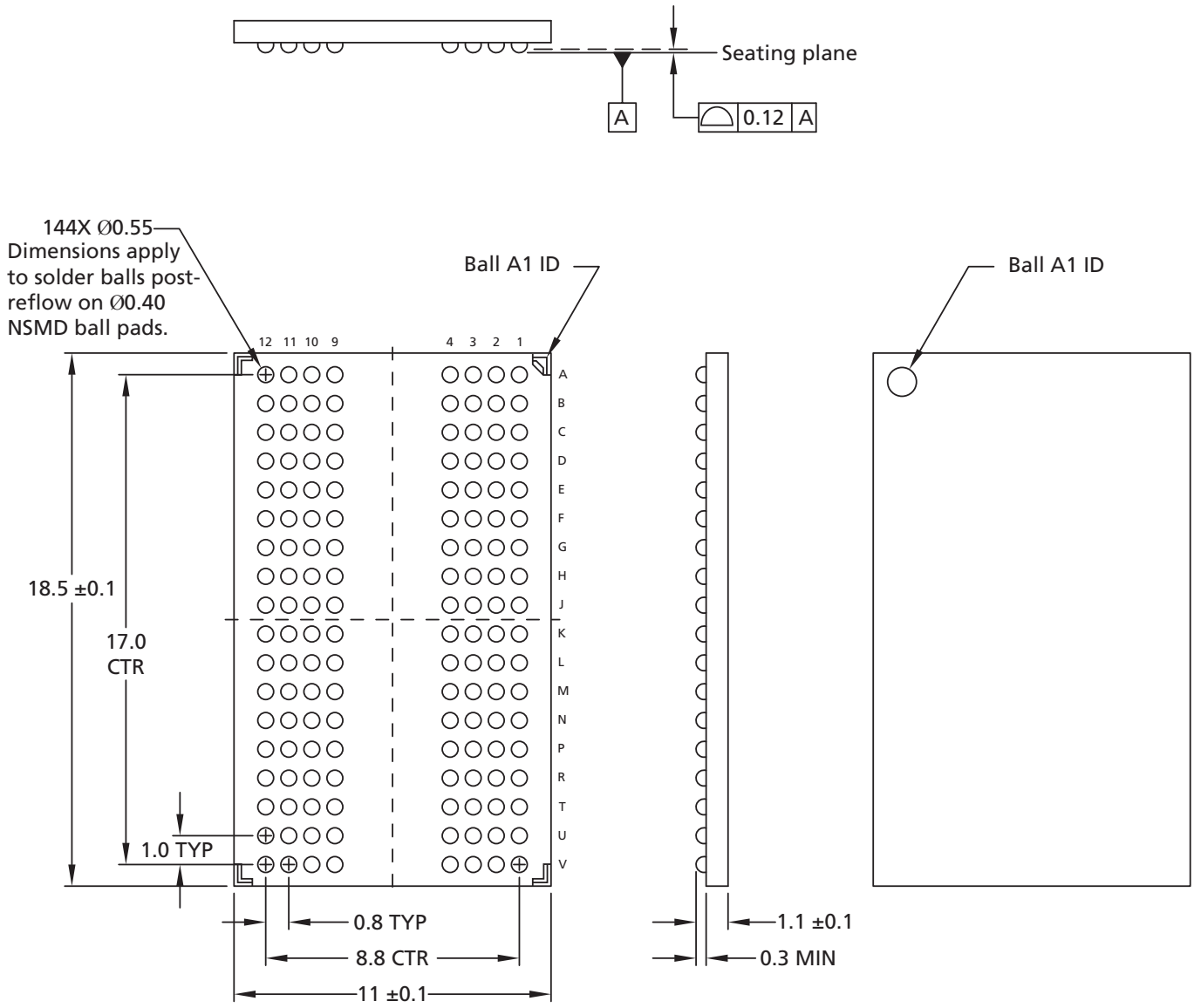
## Package Dimensions

**Figure 6: 144-Ball  $\mu$ BGA**



- Notes:
1. All dimensions are in millimeters.
  2. Solder Ball Material :  
SAC305 (96.5% Sn, 3% Ag, 0.5% Cu) or  
Eutectic (62% Sn, 36% Pb, 2% Ag)

**Figure 7: 144-Ball FBGA**



- Notes:
1. All dimensions are in millimeters.
  2. Solder Ball Material :  
SAC302 (96.8% Sn, 3% Ag, 0.2% Cu) or  
Eutectic (62% Sn, 36% Pb, 2% Ag)

## Electrical Specifications – I<sub>DD</sub>

**Table 5: I<sub>DD</sub> Operating Conditions and Maximum Limits – Rev. A**

| Description                           | Condition  | Symbol                                      | -18  | -25E  | -25   | -33 | Units |
|---------------------------------------|--|---|------|-------|-------|-----|-------|
| Standby current                       | t <sub>CK</sub> = idle; All banks idle; No inputs toggling   | I <sub>SB1</sub> (V <sub>DD</sub> ) x9/x18  | 55   | 53    | 48    | 48  | mA    |
|                                       |  | I <sub>SB1</sub> (V <sub>DD</sub> ) x36     | 55   | 53    | 48    | 48  |       |
|                                       |  | I <sub>SB1</sub> (V <sub>EXT</sub> )        | 5    | 5     | 5     | 5   |       |
| Active standby current                | CS# = 1; No commands; Bank address incremented and half address/data change once every four clock cycles   | I <sub>SB2</sub> (V <sub>DD</sub> ) x9/x18  | 365  | 293   | 288   | 233 | mA    |
|                                       |  | I <sub>SB2</sub> (V <sub>DD</sub> ) x36     | 365  | 293   | 288   | 233 |       |
|                                       |  | I <sub>SB2</sub> (V <sub>EXT</sub> )        | 5    | 5     | 5     | 5   |       |
| Operational current                   | BL = 2; Sequential bank access; Bank transitions once every t <sub>RC</sub> ; Half address transitions once every t <sub>RC</sub> ; Read followed by write sequence; Continuous data during WRITE commands | I <sub>DD1</sub> (V <sub>DD</sub> ) x9/x18  | 465  | 380   | 348   | 305 | mA    |
|                                       |  | I <sub>DD1</sub> (V <sub>DD</sub> ) x36     | 485  | 400   | 374   | 343 |       |
|                                       |  | I <sub>DD1</sub> (V <sub>EXT</sub> )        | 15   | 15    | 15    | 13  |       |
| Operational current                   | BL = 4; Sequential bank access; Bank transitions once every t <sub>RC</sub> ; Half address transitions once every t <sub>RC</sub> ; Read followed by write sequence; Continuous data during WRITE commands | I <sub>DD2</sub> (V <sub>DD</sub> ) x9/x18  | 475  | 400   | 362   | 319 | mA    |
|                                       |  | I <sub>DD2</sub> (V <sub>DD</sub> ) x36     | 510  | 425   | 418   | 389 |       |
|                                       |  | I <sub>DD2</sub> (V <sub>EXT</sub> )        | 15   | 15    | 15    | 13  |       |
| Operational current                   | BL = 8; Sequential bank access; Bank transitions once every t <sub>RC</sub> ; Half address transitions once every t <sub>RC</sub> ; Read followed by write sequence; Continuous data during WRITE commands | I <sub>DD3</sub> (V <sub>DD</sub> ) x9/x18  | 505  | 430   | 408   | 368 | mA    |
|                                       |  | I <sub>DD3</sub> (V <sub>DD</sub> ) x36     | 625  | 540   | 460   | 425 |       |
|                                       |  | I <sub>DD3</sub> (V <sub>EXT</sub> )        | 20   | 20    | 20    | 18  |       |
| Burst refresh current                 | Eight bank cyclic refresh; Continuous address/data; Command bus remains in refresh for all eight banks   | I <sub>REF1</sub> (V <sub>DD</sub> ) x9/x18 | 995  | 790   | 785   | 615 | mA    |
|                                       |  | I <sub>REF1</sub> (V <sub>DD</sub> ) x36    | 995  | 915   | 785   | 615 |       |
|                                       |  | I <sub>REF1</sub> (V <sub>EXT</sub> )       | 80   | 80    | 80    | 70  |       |
| Distributed refresh current           | Single bank refresh; Sequential bank access; Half address transitions once every t <sub>RC</sub> ; Continuous data   | I <sub>REF2</sub> (V <sub>DD</sub> ) x9/x18 | 425  | 330   | 325   | 267 | mA    |
|                                       |  | I <sub>REF2</sub> (V <sub>DD</sub> ) x36    | 425  | 390   | 326   | 281 |       |
|                                       |  | I <sub>REF2</sub> (V <sub>EXT</sub> )       | 20   | 20    | 20    | 18  |       |
| Operating burst write current example | BL = 2; Cyclic bank access; Half of address bits change every clock cycle; Continuous data; Measurement is taken during continuous WRITE   | I <sub>DD2W</sub> (V <sub>DD</sub> ) x9/x18 | 1335 | 980   | 970   | 819 | mA    |
|                                       |  | I <sub>DD2W</sub> (V <sub>DD</sub> ) x36    | 1545 | 1,105 | 1,100 | 914 |       |
|                                       |  | I <sub>DD2W</sub> (V <sub>EXT</sub> )       | 50   | 50    | 50    | 40  |       |
| Operating burst write current example | BL = 4; Cyclic bank access; Half of address bits change every two clock cycles; Continuous data; Measurement is taken during continuous WRITE  | I <sub>DD4W</sub> (V <sub>DD</sub> ) x9/x18 | 985  | 785   | 779   | 609 | mA    |
|                                       |  | I <sub>DD4W</sub> (V <sub>DD</sub> ) x36    | 1185 | 887   | 882   | 790 |       |
|                                       |  | I <sub>DD4W</sub> (V <sub>EXT</sub> )       | 30   | 30    | 30    | 25  |       |

**Table 5: I<sub>DD</sub> Operating Conditions and Maximum Limits – Rev. A (Continued)**

| Description                           | Condition  | Symbol                                      | -18  | -25E | -25 | -33 | Units |
|---------------------------------------|--|---|------|------|-----|-----|-------|
| Operating burst write current example | BL = 8; Cyclic bank access; Half of address bits change every four clock cycles; Continuous data; Measurement is taken during continuous WRITE | I <sub>DD8W</sub> (V <sub>DD</sub> ) x9/x18 | 770  | 675  | 668 | 525 | mA    |
|                                       |  | I <sub>DD8W</sub> (V <sub>DD</sub> ) x36    | 1095 | 755  | 750 | 580 |       |
|                                       |  | I <sub>DD8W</sub> (V <sub>EXT</sub> )       | 30   | 30   | 30  | 25  |       |
| Operating burst read current example  | BL = 2; Cyclic bank access; Half of address bits change every clock cycle; Continuous data; Measurement is taken during continuous READ        | I <sub>DD2R</sub> (V <sub>DD</sub> ) x9/x18 | 1225 | 940  | 935 | 735 | mA    |
|                                       |  | I <sub>DD2R</sub> (V <sub>DD</sub> ) x36    | 1270 | 995  | 990 | 795 |       |
|                                       |  | I <sub>DD2R</sub> (V <sub>EXT</sub> )       | 50   | 50   | 50  | 40  |       |
| Operating burst read current example  | BL = 4; Cyclic bank access; Half of address bits change every two clock cycles; Continuous data; Measurement is taken during continuous READ   | I <sub>DD4R</sub> (V <sub>DD</sub> ) x9/x18 | 860  | 685  | 680 | 525 | mA    |
|                                       |  | I <sub>DD4R</sub> (V <sub>DD</sub> ) x36    | 920  | 735  | 730 | 660 |       |
|                                       |  | I <sub>DD4R</sub> (V <sub>EXT</sub> )       | 30   | 30   | 30  | 25  |       |
| Operating burst read current example  | BL = 8; Cyclic bank access; Half of address bits change every four clock cycles; Continuous data; Measurement is taken during continuous READ  | I <sub>DD8R</sub> (V <sub>DD</sub> ) x9/x18 | 655  | 575  | 570 | 450 | mA    |
|                                       |  | I <sub>DD8R</sub> (V <sub>DD</sub> ) x36    | 855  | 665  | 660 | 505 |       |
|                                       |  | I <sub>DD8R</sub> (V <sub>EXT</sub> )       | 30   | 30   | 30  | 25  |       |

**Table 6: I<sub>DD</sub> Operating Conditions and Maximum Limits – Rev. B**

| Description                           | Condition  | Symbol                                      | -18 | -25E | -25 | -33 | Units |
|---------------------------------------|--|---|-----|------|-----|-----|-------|
| Standby current                       | t <sup>CK</sup> = idle; All banks idle; No inputs toggling   | I <sub>SB1</sub> (V <sub>DD</sub> ) x9/x18  | 55  | 55   | 55  | 55  | mA    |
|                                       |  | I <sub>SB1</sub> (V <sub>DD</sub> ) x36     | 55  | 55   | 55  | 55  |       |
|                                       |  | I <sub>SB1</sub> (V <sub>EXT</sub> )        | 5   | 5    | 5   | 5   |       |
| Active standby current                | CS# = 1; No commands; Bank address incremented and half address/data change once every four clock cycles   | I <sub>SB2</sub> (V <sub>DD</sub> ) x9/x18  | 250 | 215  | 215 | 190 | mA    |
|                                       |  | I <sub>SB2</sub> (V <sub>DD</sub> ) x36     | 250 | 215  | 215 | 190 |       |
|                                       |  | I <sub>SB2</sub> (V <sub>EXT</sub> )        | 5   | 5    | 5   | 5   |       |
| Operational current                   | BL = 2; Sequential bank access; Bank transitions once every t <sup>RC</sup> ; Half address transitions once every t <sup>RC</sup> ; Read followed by write sequence; Continuous data during WRITE commands | I <sub>DD1</sub> (V <sub>DD</sub> ) x9/x18  | 310 | 285  | 260 | 225 | mA    |
|                                       |  | I <sub>DD1</sub> (V <sub>DD</sub> ) x36     | 320 | 295  | 270 | 230 |       |
|                                       |  | I <sub>DD1</sub> (V <sub>EXT</sub> )        | 10  | 10   | 10  | 10  |       |
| Operational current                   | BL = 4; Sequential bank access; Bank transitions once every t <sup>RC</sup> ; Half address transitions once every t <sup>RC</sup> ; Read followed by write sequence; Continuous data during WRITE commands | I <sub>DD2</sub> (V <sub>DD</sub> ) x9/x18  | 315 | 290  | 260 | 220 | mA    |
|                                       |  | I <sub>DD2</sub> (V <sub>DD</sub> ) x36     | 330 | 305  | 275 | 230 |       |
|                                       |  | I <sub>DD2</sub> (V <sub>EXT</sub> )        | 10  | 10   | 10  | 10  |       |
| Operational current                   | BL = 8; Sequential bank access; Bank transitions once every t <sup>RC</sup> ; Half address transitions once every t <sup>RC</sup> ; Read followed by write sequence; Continuous data during WRITE commands | I <sub>DD3</sub> (V <sub>DD</sub> ) x9/x18  | 330 | 305  | 275 | 230 | mA    |
|                                       |  | I <sub>DD3</sub> (V <sub>DD</sub> ) x36     | 390 | 365  | 320 | 265 |       |
|                                       |  | I <sub>DD3</sub> (V <sub>EXT</sub> )        | 15  | 15   | 15  | 15  |       |
| Burst refresh current                 | Eight bank cyclic refresh; Continuous address/data; Command bus remains in refresh for all eight banks   | I <sub>REF1</sub> (V <sub>DD</sub> ) x9/x18 | 660 | 540  | 530 | 430 | mA    |
|                                       |  | I <sub>REF1</sub> (V <sub>DD</sub> ) x36    | 670 | 545  | 535 | 435 |       |
|                                       |  | I <sub>REF1</sub> (V <sub>EXT</sub> )       | 45  | 30   | 30  | 25  |       |
| Distributed refresh current           | Single bank refresh; Sequential bank access; Half address transitions once every t <sup>RC</sup> ; Continuous data   | I <sub>REF2</sub> (V <sub>DD</sub> ) x9/x18 | 295 | 265  | 250 | 215 | mA    |
|                                       |  | I <sub>REF2</sub> (V <sub>DD</sub> ) x36    | 295 | 265  | 250 | 215 |       |
|                                       |  | I <sub>REF2</sub> (V <sub>EXT</sub> )       | 10  | 10   | 10  | 10  |       |
| Operating burst write current example | BL = 2; Cyclic bank access; Half of address bits change every clock cycle; Continuous data; Measurement is taken during continuous WRITE   | I <sub>DD2W</sub> (V <sub>DD</sub> ) x9/x18 | 830 | 655  | 655 | 530 | mA    |
|                                       |  | I <sub>DD2W</sub> (V <sub>DD</sub> ) x36    | 885 | 700  | 700 | 565 |       |
|                                       |  | I <sub>DD2W</sub> (V <sub>EXT</sub> )       | 40  | 35   | 35  | 30  |       |
| Operating burst write current example | BL = 4; Cyclic bank access; Half of address bits change every two clock cycles; Continuous data; Measurement is taken during continuous WRITE  | I <sub>DD4W</sub> (V <sub>DD</sub> ) x9/x18 | 580 | 465  | 465 | 385 | mA    |
|                                       |  | I <sub>DD4W</sub> (V <sub>DD</sub> ) x36    | 635 | 510  | 510 | 420 |       |
|                                       |  | I <sub>DD4W</sub> (V <sub>EXT</sub> )       | 25  | 20   | 20  | 20  |       |

**Table 6: I<sub>DD</sub> Operating Conditions and Maximum Limits – Rev. B (Continued)**

| Description                           | Condition  | Symbol                                      | -18 | -25E | -25 | -33 | Units |
|---------------------------------------|--|---|-----|------|-----|-----|-------|
| Operating burst write current example | BL = 8; Cyclic bank access; Half of address bits change every four clock cycles; Continuous data; Measurement is taken during continuous WRITE | I <sub>DD8W</sub> (V <sub>DD</sub> ) x9/x18 | 445 | 370  | 370 | 305 | mA    |
|                                       |  | I <sub>DD8W</sub> (V <sub>DD</sub> ) x36    | 560 | 455  | 455 | 375 |       |
|                                       |  | I <sub>DD8W</sub> (V <sub>EXT</sub> )       | 25  | 20   | 20  | 20  |       |
| Operating burst read current example  | BL = 2; Cyclic bank access; Half of address bits change every clock cycle; Continuous data; Measurement is taken during continuous READ        | I <sub>DD2R</sub> (V <sub>DD</sub> ) x9/x18 | 805 | 640  | 640 | 515 | mA    |
|                                       |  | I <sub>DD2R</sub> (V <sub>DD</sub> ) x36    | 850 | 675  | 675 | 540 |       |
|                                       |  | I <sub>DD2R</sub> (V <sub>EXT</sub> )       | 40  | 35   | 35  | 30  |       |
| Operating burst read current example  | BL = 4; Cyclic bank access; Half of address bits change every two clock cycles; Continuous data; Measurement is taken during continuous READ   | I <sub>DD4R</sub> (V <sub>DD</sub> ) x9/x18 | 545 | 440  | 440 | 365 | mA    |
|                                       |  | I <sub>DD4R</sub> (V <sub>DD</sub> ) x36    | 590 | 475  | 475 | 390 |       |
|                                       |  | I <sub>DD4R</sub> (V <sub>EXT</sub> )       | 25  | 20   | 20  | 20  |       |
| Operating burst read current example  | BL = 8; Cyclic bank access; Half of address bits change every four clock cycles; Continuous data; Measurement is taken during continuous READ  | I <sub>DD8R</sub> (V <sub>DD</sub> ) x9/x18 | 410 | 335  | 335 | 280 | mA    |
|                                       |  | I <sub>DD8R</sub> (V <sub>DD</sub> ) x36    | 525 | 425  | 425 | 350 |       |
|                                       |  | I <sub>DD8R</sub> (V <sub>EXT</sub> )       | 25  | 20   | 20  | 20  |       |

- Notes:
- I<sub>DD</sub> specifications are tested after the device is properly initialized. +0°C ≤ T<sub>C</sub> ≤ +95°C; +1.7V ≤ V<sub>DD</sub> ≤ +1.9V, +2.38V ≤ V<sub>EXT</sub> ≤ +2.63V, +1.4V ≤ V<sub>DDQ</sub> ≤ V<sub>DD</sub>, V<sub>REF</sub> = V<sub>DDQ</sub>/2.
  - t<sub>CK</sub> = t<sub>DK</sub> = MIN, t<sub>RC</sub> = MIN.
  - Input slew rate is specified in the Input AC Logic Levels table.
  - Definitions for I<sub>DD</sub> conditions:
    - LOW = V<sub>IN</sub> ≤ V<sub>IL(AC)</sub> MAX.
    - HIGH = V<sub>IN</sub> ≥ V<sub>IH(AC)</sub> MIN.
    - Stable = Inputs remain at a HIGH or LOW level.
    - Floating = Inputs at V<sub>REF</sub> = V<sub>DDQ</sub>/2.
    - Continuous data = Half the DQ signals changing between HIGH and LOW every half clock cycle (twice per clock).
    - Continuous address = Half the address signals changing between HIGH and LOW every clock cycle (once per clock).
    - Sequential bank access = Bank address increments by one every t<sub>RC</sub>.
    - Cyclic bank access = Bank address increments by one for each command access. For BL = 2 this is every clock, for BL = 4 this is every other clock, and for BL = 8 this is every fourth clock.
  - CS# is HIGH unless a READ, WRITE, AREF, or MRS command is registered. CS# never transitions more than once per clock cycle.
  - I<sub>DD</sub> parameters are specified with ODT disabled.
  - Tests for AC timing, I<sub>DD</sub>, and electrical AC and DC characteristics may be conducted at nominal reference/supply voltage levels, but the related specifications and device operations are tested for the full voltage range specified.
  - I<sub>DD</sub> tests may use a V<sub>IL</sub>-to-V<sub>IH</sub> swing of up to 1.5V in the test environment, but input timing is still referenced to V<sub>REF</sub> (or to the crossing point for CK/CK#), and parameter specifications are tested for the specified AC input levels under normal use conditions. The minimum slew rate for the input signals used to test the device is 2 V/ns in the range between V<sub>IL(AC)</sub> and V<sub>IH(AC)</sub>.

## Absolute Maximum Ratings

Stresses greater than those listed may cause permanent damage to the device. This is a stress rating only, and functional operation of the device at these or any other conditions outside those indicated in the operational sections of this specification is not implied. Exposure to absolute maximum rating conditions for extended periods may affect reliability.

**Table 7: Absolute Maximum Ratings**

| Parameter  | Min  | Max             | Units |
|--|------|-----------------|-------|
| I/O voltage                                      | -0.3 | $V_{DDQ} + 0.3$ | V     |
| Voltage on $V_{EXT}$ supply relative to $V_{SS}$ | -0.3 | +2.8            | V     |
| Voltage on $V_{DD}$ supply relative to $V_{SS}$  | -0.3 | +2.1            | V     |
| Voltage on $V_{DDQ}$ supply relative to $V_{SS}$ | -0.3 | +2.1            | V     |

## AC and DC Operating Conditions

**Table 8: DC Electrical Characteristics and Operating Conditions**

 Note 1 applies to the entire table; Unless otherwise noted:  $+0^{\circ}\text{C} \leq T_C \leq +95^{\circ}\text{C}$ ;  $+1.7\text{V} \leq V_{DD} \leq +1.9\text{V}$ 

| Description                   | Conditions                           | Symbol    | Min                              | Max                              | Units         | Notes     |
|-------------------------------|--------------------------------------|-----------|----------------------------------|----------------------------------|---------------|-----------|
| Supply voltage                | –                                    | $V_{EXT}$ | 2.38                             | 2.63                             | V             |           |
| Supply voltage                | –                                    | $V_{DD}$  | 1.7                              | 1.9                              | V             | 2         |
| Isolated output buffer supply | –                                    | $V_{DDQ}$ | 1.4                              | $V_{DD}$                         | V             | 2, 3      |
| Reference voltage             | –                                    | $V_{REF}$ | $0.49 \times V_{DDQ}$            | $0.51 \times V_{DDQ}$            | V             | 4, 5, 6   |
| Termination voltage           | –                                    | $V_{TT}$  | $0.95 \times V_{REF}$            | $1.05 \times V_{REF}$            | V             | 7, 8      |
| Input high (logic 1) voltage  | –                                    | $V_{IH}$  | $V_{REF} + 0.1$                  | $V_{DDQ} + 0.3$                  | V             | 2         |
| Input low (logic 0) voltage   | –                                    | $V_{IL}$  | $V_{SSQ} - 0.3$                  | $V_{REF} - 0.1$                  | V             | 2         |
| Output high current           | $V_{OH} = V_{DDQ}/2$                 | $I_{OH}$  | $(V_{DDQ}/2)/(1.15 \times RQ/5)$ | $(V_{DDQ}/2)/(0.85 \times RQ/5)$ | A             | 9, 10, 11 |
| Output low current            | $V_{OL} = V_{DDQ}/2$                 | $I_{OL}$  | $(V_{DDQ}/2)/(1.15 \times RQ/5)$ | $(V_{DDQ}/2)/(0.85 \times RQ/5)$ | A             | 9, 10, 11 |
| Clock input leakage current   | $0\text{V} \leq V_{IN} \leq V_{DD}$  | $I_{LC}$  | –5                               | 5                                | $\mu\text{A}$ |           |
| Input leakage current         | $0\text{V} \leq V_{IN} \leq V_{DD}$  | $I_{LI}$  | –5                               | 5                                | $\mu\text{A}$ |           |
| Output leakage current        | $0\text{V} \leq V_{IN} \leq V_{DDQ}$ | $I_{LO}$  | –5                               | 5                                | $\mu\text{A}$ |           |
| Reference voltage current     | –                                    | $I_{REF}$ | –5                               | 5                                | $\mu\text{A}$ |           |

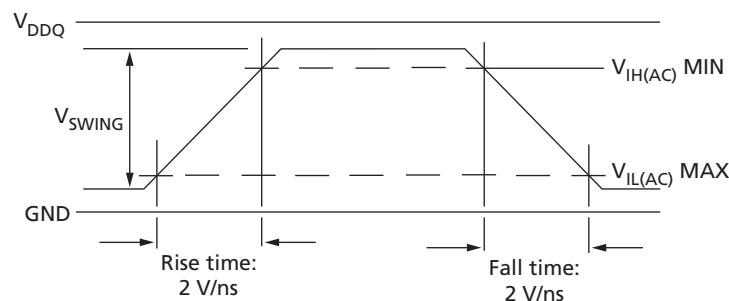
- Notes:
- All voltages referenced to  $V_{SS}$  (GND).
  - Overshoot:  $V_{IH(AC)} \leq V_{DD} + 0.7\text{V}$  for  $t \leq t_{CK}/2$ . Undershoot:  $V_{IL(AC)} \geq -0.5\text{V}$  for  $t \leq t_{CK}/2$ . During normal operation,  $V_{DDQ}$  must not exceed  $V_{DD}$ . Control input signals may not have pulse widths less than  $t_{CK}/2$  or operate at frequencies exceeding  $t_{CK}$  (MAX).
  - $V_{DDQ}$  can be set to a nominal  $1.5\text{V} \pm 0.1\text{V}$  or  $1.8\text{V} \pm 0.1\text{V}$  supply.
  - Typically the value of  $V_{REF}$  is expected to be  $0.5 \times V_{DDQ}$  of the transmitting device.  $V_{REF}$  is expected to track variations in  $V_{DDQ}$ .
  - Peak-to-peak AC noise on  $V_{REF}$  must not exceed  $\pm 2\% V_{REF(DC)}$ .
  - $V_{REF}$  is expected to equal  $V_{DDQ}/2$  of the transmitting device and to track variations in the DC level of the same. Peak-to-peak noise (non-common mode) on  $V_{REF}$  may not exceed  $\pm 2\%$  of the DC value. Thus, from  $V_{DDQ}/2$ ,  $V_{REF}$  is allowed  $\pm 2\% V_{DDQ}/2$  for DC error and an additional  $\pm 2\% V_{DDQ}/2$  for AC noise. This measurement is to be taken at the nearest  $V_{REF}$  bypass capacitor.
  - $V_{TT}$  is expected to be set equal to  $V_{REF}$  and must track variations in the DC level of  $V_{REF}$ .
  - On-die termination may be selected using mode register bit 9 (see the Mode Register Definition in Nonmultiplexed Address Mode figure). A resistance  $R_{TT}$  from each data input signal to the nearest  $V_{TT}$  can be enabled.  $R_{TT} = 125\text{--}185\Omega$  at  $95^{\circ}\text{C } T_C$ .
  - $I_{OH}$  and  $I_{OL}$  are defined as absolute values and are measured at  $V_{DDQ}/2$ .  $I_{OH}$  flows from the device,  $I_{OL}$  flows into the device.
  - If MRS bit A8 is 0, use  $RQ = 250\Omega$  in the equation in lieu of presence of an external impedance matched resistor.
  - For  $V_{OOL}$  and  $V_{OHL}$ , refer to the RLDRAM 2 HSPICE or IBIS driver models.

**Table 9: Input AC Logic Levels**

 Notes 1–3 apply to entire table; Unless otherwise noted:  $+0^{\circ}\text{C} \leq T_C \leq +95^{\circ}\text{C}$ ;  $+1.7\text{V} \leq V_{DD} \leq +1.9\text{V}$ 

| Description                  | Symbol   | Min             | Max             | Units |
|------------------------------|----------|-----------------|-----------------|-------|
| Input high (logic 1) voltage | $V_{IH}$ | $V_{REF} + 0.2$ | –               | V     |
| Input low (logic 0) voltage  | $V_{IL}$ | –               | $V_{REF} - 0.2$ | V     |

- Notes:
- All voltages referenced to  $V_{SS}$  (GND).
  - The AC and DC input level specifications are as defined in the HSTL standard (that is, the receiver will effectively switch as a result of the signal crossing the AC input level, and will remain in that state as long as the signal does not ring back above [below] the DC input LOW [HIGH] level).
  - The minimum slew rate for the input signals used to test the device is 2 V/ns in the range between  $V_{IL(AC)}$  and  $V_{IH(AC)}$ . See illustration below:

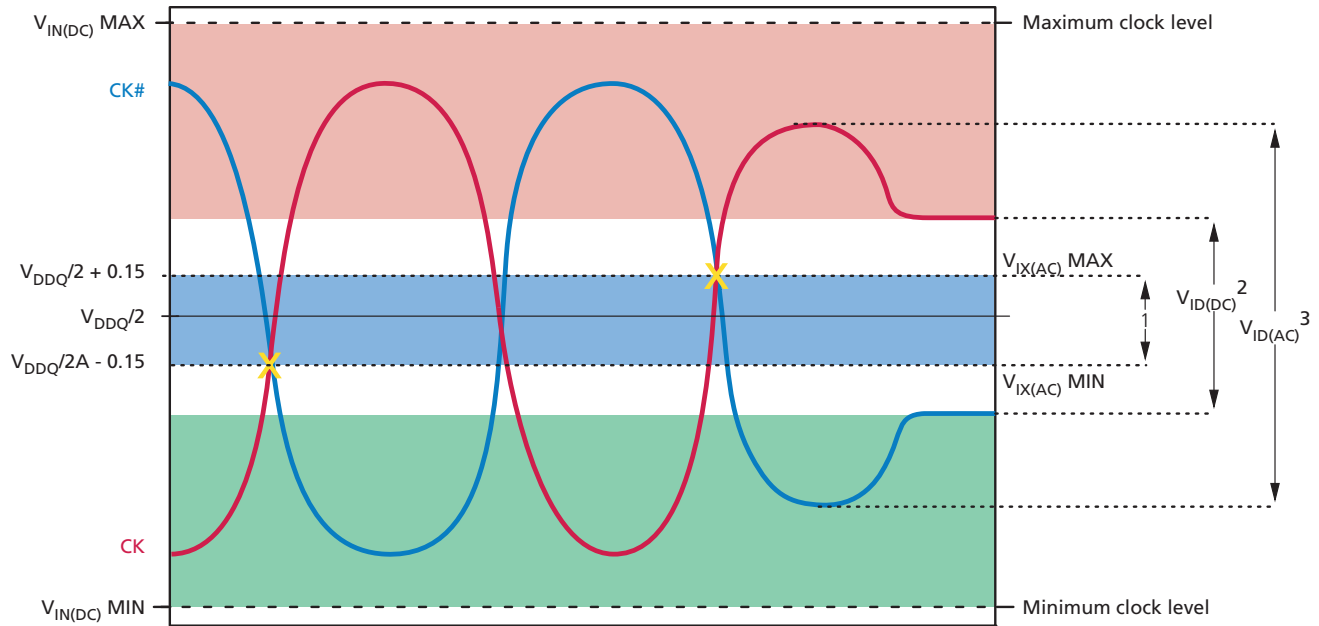

**Table 10: Differential Input Clock Operating Conditions**

 Notes 1–4 apply to the entire table; Unless otherwise noted:  $+0^{\circ}\text{C} \leq T_C \leq +95^{\circ}\text{C}$ ;  $+1.7\text{V} \leq V_{DD} \leq +1.9\text{V}$ 

| Parameter/Condition                            | Symbol       | Min                | Max                | Units | Notes |
|--|--------------|--------------------|--------------------|-------|-------|
| Clock input voltage level: CK and CK#          | $V_{IN(DC)}$ | –0.3               | $V_{DDQ} + 0.3$    | V     |       |
| Clock input differential voltage: CK and CK#   | $V_{ID(DC)}$ | 0.2                | $V_{DDQ} + 0.6$    | V     | 5     |
| Clock input differential voltage: CK and CK#   | $V_{ID(AC)}$ | 0.4                | $V_{DDQ} + 0.6$    | V     | 5     |
| Clock input crossing point voltage: CK and CK# | $V_{IX(AC)}$ | $V_{DDQ}/2 - 0.15$ | $V_{DDQ}/2 + 0.15$ | V     | 6     |

- Notes:
- DKx and DKx# have the same requirements as CK and CK#.
  - All voltages referenced to  $V_{SS}$  (GND).
  - The CK/CK# input reference level (for timing referenced to CK/CK#) is the point at which CK and CK# cross. The input reference level for signals other than CK/CK# is  $V_{REF}$ .
  - CK and CK# input slew rate must be  $\geq 2$  V/ns ( $\geq 4$  V/ns if measured differentially).
  - $V_{id}$  is the magnitude of the difference between the input level on CK and the input level on CK#.
  - The value of  $V_{IX}$  is expected to equal  $V_{DDQ}/2$  of the transmitting device and must track variations in the DC level of the same.

Figure 8: Clock Input



- Notes:
1. CK and CK# must cross within this region.
  2. CK and CK# must meet at least  $V_{ID(DC)} \text{ MIN}$  when static and centered around  $V_{ddq}/2$ .
  3. Minimum peak-to-peak swing.
  4. It is a violation to tristate CK and CK# after the part is initialized.

## Input Slew Rate Derating

The following tables define the address, command, and data setup and hold derating values. These values are added to the default  $t_{AS}/t_{CS}/t_{DS}$  and  $t_{AH}/t_{CH}/t_{DH}$  specifications when the slew rate of any of these input signals is less than the  $2 V/ns$  the nominal setup and hold specifications are based upon.

To determine the setup and hold time needed for a given slew rate, add the  $t_{AS}/t_{CS}$  default specification to the “ $t_{AS}/t_{CS} V_{REF}$  to CK/CK# Crossing” and the  $t_{AH}/t_{CH}$  default specification to the “ $t_{AH}/t_{CH}$  CK/CK# Crossing to  $V_{REF}$ ” derated values on the Address and Command Setup and Hold Derating Values table. The derated data setup and hold values can be determined in a like manner using the “ $t_{DS} V_{REF}$  to CK/CK# Crossing” and “ $t_{DH}$  to CK/CK# Crossing to  $V_{REF}$ ” values on the Data Setup and Hold Derating Values table. The derating values on the Address and Command Setup and Hold Derating Values table and the Data Setup and Hold Derating Values table apply to all speed grades.

The setup times on the Address and Command Setup and Hold Derating Values table and the Data Setup and Hold Derating Values table represent a rising signal. In this case, the time from which the rising signal crosses  $V_{IH(AC)}$  MIN to the CK/CK# cross point is static and must be maintained across all slew rates. The derated setup timing represents the point at which the rising signal crosses  $V_{REF(DC)}$  to the CK/CK# cross point. This derated value is calculated by determining the time needed to maintain the given slew rate and the delta between  $V_{IH(AC)}$  MIN and the CK/CK# cross point. The setup values in the Address and Command Setup and Hold Derating Values table and the Data Setup and Hold Derating Values table are also valid for falling signals (with respect to  $V_{IL(AC)}$  MAX and the CK/CK# cross point).

The hold times in the Address and Command Setup and Hold Derating Values table and the Data Setup and Hold Derating Values table represent falling signals. In this case, the time from the CK/CK# cross point to when the signal crosses  $V_{IH(DC)}$  MIN is static and must be maintained across all slew rates. The derated hold timing represents the delta between the CK/CK# cross point to when the falling signal crosses  $V_{REF(DC)}$ . This derated value is calculated by determining the time needed to maintain the given slew rate and the delta between the CK/CK# cross point and  $V_{IH(DC)}$ . The hold values in The Address and Command Setup and Hold Derating Values table and the Data Setup and Hold Derating Values table are also valid for rising signals (with respect to  $V_{IL(DC)}$  MAX and the CK and CK# cross point).

**Note:**

The above descriptions also pertain to data setup and hold derating when CK/CK# are replaced with DK/DK#.

**Table 11: Address and Command Setup and Hold Derating Values**

| Command/<br>Address Slew<br>Rate (V/ns)         | $t_{AS}/t_{CS} V_{REF}$ to<br>CK/CK# Crossing | $t_{AS}/t_{CS} V_{IH(AC)}$<br>MIN to CK/CK#<br>Crossing | $t_{AH}/t_{CH}$ CK/CK#<br>Crossing to $V_{REF}$ | $t_{AH}/t_{CH}$ CK/CK#<br>Crossing to $V_{IH(DC)}$<br>MIN | Units |
|---|---|---|---|---|-------|
| <b>CK, CK# Differential Slew Rate: 2.0 V/ns</b> |   |   |   |   |       |
| 2.0   | 0   | -100  | 0   | -50   | ps    |
| 1.9   | 5   | -100  | 3   | -50   | ps    |
| 1.8   | 11  | -100  | 6   | -50   | ps    |



Table 11: Address and Command Setup and Hold Derating Values (Continued)

| Command/<br>Address Slew<br>Rate (V/ns)         | $t_{AS}/t_{CS}$ $V_{REF}$ to<br>CK/CK# Crossing | $t_{AS}/t_{CS}$ $V_{IH(AC)}$<br>MIN to CK/CK#<br>Crossing | $t_{AH}/t_{CH}$ CK/CK#<br>Crossing to $V_{REF}$ | $t_{AH}/t_{CH}$ CK/CK#<br>Crossing to $V_{IH(DC)}$<br>MIN | Units |
|---|---|---|---|---|-------|
| 1.7   | 18  | -100  | 9   | -50   | ps    |
| 1.6   | 25  | -100  | 13  | -50   | ps    |
| 1.5   | 33  | -100  | 17  | -50   | ps    |
| 1.4   | 43  | -100  | 22  | -50   | ps    |
| 1.3   | 54  | -100  | 27  | -50   | ps    |
| 1.2   | 67  | -100  | 34  | -50   | ps    |
| 1.1   | 82  | -100  | 41  | -50   | ps    |
| 1.0   | 100   | -100  | 50  | -50   | ps    |
| <b>CK, CK# Differential Slew Rate: 1.5 V/ns</b> |   |   |   |   |       |
| 2.0   | 30  | -70   | 30  | -20   | ps    |
| 1.9   | 35  | -70   | 33  | -20   | ps    |
| 1.8   | 41  | -70   | 36  | -20   | ps    |
| 1.7   | 48  | -70   | 39  | -20   | ps    |
| 1.6   | 55  | -70   | 43  | -20   | ps    |
| 1.5   | 63  | -70   | 47  | -20   | ps    |
| 1.4   | 73  | -70   | 52  | -20   | ps    |
| 1.3   | 84  | -70   | 57  | -20   | ps    |
| 1.2   | 97  | -70   | 64  | -20   | ps    |
| 1.1   | 112   | -70   | 71  | -20   | ps    |
| 1.0   | 130   | -70   | 80  | -20   | ps    |
| <b>CK, CK# Differential Slew Rate: 1.0 V/ns</b> |   |   |   |   |       |
| 2.0   | 60  | -40   | 60  | 10  | ps    |
| 1.9   | 65  | -40   | 63  | 10  | ps    |
| 1.8   | 71  | -40   | 66  | 10  | ps    |
| 1.7   | 78  | -40   | 69  | 10  | ps    |
| 1.6   | 85  | -40   | 73  | 10  | ps    |
| 1.5   | 93  | -40   | 77  | 10  | ps    |
| 1.4   | 103   | -40   | 82  | 10  | ps    |
| 1.3   | 114   | -40   | 87  | 10  | ps    |
| 1.2   | 127   | -40   | 94  | 10  | ps    |
| 1.1   | 142   | -40   | 101   | 10  | ps    |
| 1.0   | 160   | -40   | 110   | 10  | ps    |



Table 12: Data Setup and Hold Derating Values

| Data Slew Rate (V/ns)                           | $t_{DS} V_{REF}$ to CK/CK# Crossing | $t_{DS} V_{IH(AC)}$ MIN to CK/CK# Crossing | $t_{DH}$ CK/CK# Crossing to $V_{REF}$ | $t_{DH}$ CK/CK# Crossing to $V_{IH(DC)}$ MIN | Units |
|---|-------------------------------------|--|---------------------------------------|--|-------|
| <b>DK, DK# Differential Slew Rate: 2.0 V/ns</b> |                                     |  |                                       |  |       |
| 2.0   | 0                                   | -100                                       | 0                                     | -50  | ps    |
| 1.9   | 5                                   | -100                                       | 3                                     | -50  | ps    |
| 1.8   | 11                                  | -100                                       | 6                                     | -50  | ps    |
| 1.7   | 18                                  | -100                                       | 9                                     | -50  | ps    |
| 1.6   | 25                                  | -100                                       | 13                                    | -50  | ps    |
| 1.5   | 33                                  | -100                                       | 17                                    | -50  | ps    |
| 1.4   | 43                                  | -100                                       | 22                                    | -50  | ps    |
| 1.3   | 54                                  | -100                                       | 27                                    | -50  | ps    |
| 1.2   | 67                                  | -100                                       | 34                                    | -50  | ps    |
| 1.1   | 82                                  | -100                                       | 41                                    | -50  | ps    |
| 1.0   | 100                                 | -100                                       | 50                                    | -50  | ps    |
| <b>DK, DK# Differential Slew Rate: 1.5 V/ns</b> |                                     |  |                                       |  |       |
| 2.0   | 30                                  | -70  | 30                                    | -20  | ps    |
| 1.9   | 35                                  | -70  | 33                                    | -20  | ps    |
| 1.8   | 41                                  | -70  | 36                                    | -20  | ps    |
| 1.7   | 48                                  | -70  | 39                                    | -20  | ps    |
| 1.6   | 55                                  | -70  | 43                                    | -20  | ps    |
| 1.5   | 63                                  | -70  | 47                                    | -20  | ps    |
| 1.4   | 73                                  | -70  | 52                                    | -20  | ps    |
| 1.3   | 84                                  | -70  | 57                                    | -20  | ps    |
| 1.2   | 97                                  | -70  | 64                                    | -20  | ps    |
| 1.1   | 112                                 | -70  | 71                                    | -20  | ps    |
| 1.0   | 130                                 | -70  | 80                                    | -20  | ps    |
| <b>DK, DK# Differential Slew Rate: 1.0 V/ns</b> |                                     |  |                                       |  |       |
| 2.0   | 60                                  | -40  | 60                                    | 10   | ps    |
| 1.9   | 65                                  | -40  | 63                                    | 10   | ps    |
| 1.8   | 71                                  | -40  | 66                                    | 10   | ps    |
| 1.7   | 78                                  | -40  | 69                                    | 10   | ps    |
| 1.6   | 85                                  | -40  | 73                                    | 10   | ps    |
| 1.5   | 93                                  | -40  | 77                                    | 10   | ps    |
| 1.4   | 103                                 | -40  | 82                                    | 10   | ps    |
| 1.3   | 114                                 | -40  | 87                                    | 10   | ps    |
| 1.2   | 127                                 | -40  | 94                                    | 10   | ps    |
| 1.1   | 142                                 | -40  | 101                                   | 10   | ps    |
| 1.0   | 160                                 | -40  | 110                                   | 10   | ps    |

Figure 9: Nominal  $t_{AS}/t_{CS}/t_{DS}$  and  $t_{AH}/t_{CH}/t_{DH}$  Slew Rate

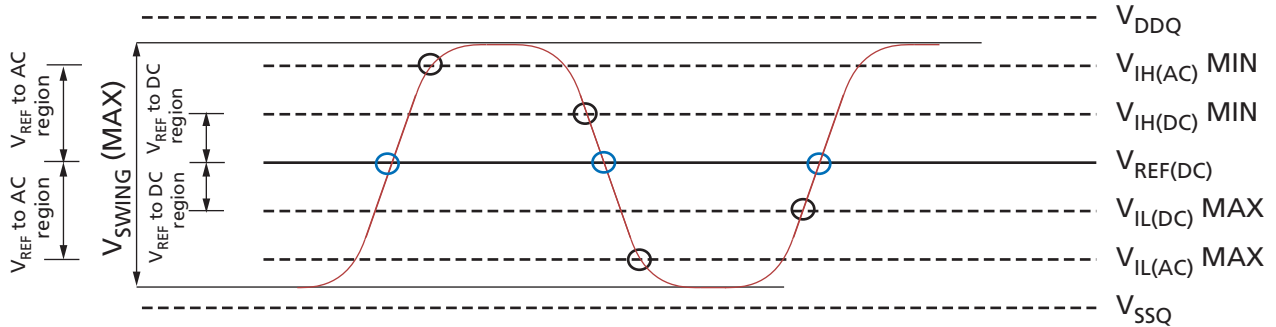


Table 13: Capacitance –  $\mu$ BGA

Notes 1–2 apply to entire table

| Description                                   | Symbol     | Conditions   | Min | Max | Units |
|---|------------|--|-----|-----|-------|
| Address/control input capacitance             | $C_I$      | $T_A = 25^\circ\text{C}; f = 100\text{ MHz}$<br>$V_{DD} = V_{DDQ} = 1.8\text{V}$ | 1.0 | 2.0 | pF    |
| Input/output capacitance (DQ, DM, and QK/QK#) | $C_O$      |  | 3.0 | 4.5 | pF    |
| Clock capacitance (CK/CK#, and DK/DK#)        | $C_{CK}$   |  | 1.5 | 2.5 | pF    |
| Jtag pins                                     | $C_{JTAG}$ |  | 1.5 | 4.5 | pF    |

- Notes: 1. Capacitance is not tested on ZQ pin.  
2. JTAG pins are tested at 50 MHz.

Table 14: Capacitance – FBGA

Notes 1–2 apply to entire table

| Description                                   | Symbol     | Conditions   | Min | Max | Units |
|---|------------|--|-----|-----|-------|
| Address/control input capacitance             | $C_I$      | $T_A = 25^\circ\text{C}; f = 100\text{ MHz}$<br>$V_{DD} = V_{DDQ} = 1.8\text{V}$ | 1.5 | 2.5 | pF    |
| Input/output capacitance (DQ, DM, and QK/QK#) | $C_O$      |  | 3.5 | 5.0 | pF    |
| Clock capacitance (CK/CK#, and DK/DK#)        | $C_{CK}$   |  | 2.0 | 3.0 | pF    |
| JTAG pins                                     | $C_{JTAG}$ |  | 2.0 | 5.0 | pF    |

- Notes: 1. Capacitance is not tested on ZQ pin.  
2. JTAG pins are tested at 50 MHz.

Table 15: AC Electrical Characteristics: -18, -25E, -25, -33

Notes 1–4 apply to the entire table

| Description                 | Symbol   | -18      |     | -25E     |     | -25      |     | -33      |     | Units | Notes |
|-----------------------------|----------|----------|-----|----------|-----|----------|-----|----------|-----|-------|-------|
|                             |          | Min      | Max | Min      | Max | Min      | Max | Min      | Max |       |       |
| <b>Clock</b>                |          |          |     |          |     |          |     |          |     |       |       |
| Input clock cycle time      | $t_{CK}$ | 1.875    | 5.7 | 2.5      | 5.7 | 2.5      | 5.7 | 3.3      | 5.7 | ns    | 10    |
| Input data clock cycle time | $t_{DK}$ | $t_{CK}$ |     | $t_{CK}$ |     | $t_{CK}$ |     | $t_{CK}$ |     | ns    |       |

**Table 15: AC Electrical Characteristics: -18, -25E, -25, -33 (Continued)**

Notes 1–4 apply to the entire table

| Description                                 | Symbol                     | -18                                 |      | -25E                                |      | -25                                 |      | -33                                 |      | Units     | Notes |
|---|----------------------------|-------------------------------------|------|-------------------------------------|------|-------------------------------------|------|-------------------------------------|------|-----------|-------|
|   |                            | Min                                 | Max  | Min                                 | Max  | Min                                 | Max  | Min                                 | Max  |           |       |
| Clock jitter: period                        | $t_{JITper}$               | -100                                | 100  | -150                                | 150  | -150                                | 150  | -200                                | 200  | ps        | 5, 6  |
| Clock jitter: cycle-to-cycle                | $t_{JITcc}$                |                                     | 200  |                                     | 300  |                                     | 300  |                                     | 400  | ps        |       |
| Clock HIGH time                             | $t_{CKH}$ ,<br>$t_{DKH}$   | 0.45                                | 0.55 | 0.45                                | 0.55 | 0.45                                | 0.55 | 0.45                                | 0.55 | $t_{CK}$  |       |
| Clock LOW time                              | $t_{CKL}$ , $t_{DKL}$      | 0.45                                | 0.55 | 0.45                                | 0.55 | 0.45                                | 0.55 | 0.45                                | 0.55 | $t_{CK}$  |       |
| Clock to input data clock                   | $t_{CKDK}$                 | -0.3                                | 0.3  | -0.45                               | 0.5  | -0.45                               | 0.5  | -0.45                               | 1.2  | ns        |       |
| Mode register set cycle time to any command | $t_{MRSC}$                 | 6                                   | -    | 6                                   | -    | 6                                   | -    | 6                                   | -    | $t_{CK}$  |       |
| <b>Setup Times</b>                          |                            |                                     |      |                                     |      |                                     |      |                                     |      |           |       |
| Address/command and input setup time        | $t_{AS}/t_{CS}$            | 0.3                                 | -    | 0.4                                 | -    | 0.4                                 | -    | 0.5                                 | -    | ns        |       |
| Data-in and data mask to DK setup time      | $t_{DS}$                   | 0.17                                | -    | 0.25                                | -    | 0.25                                | -    | 0.3                                 | -    | ns        |       |
| <b>Hold Times</b>                           |                            |                                     |      |                                     |      |                                     |      |                                     |      |           |       |
| Address/command and input hold time         | $t_{AH}/t_{CH}$            | 0.3                                 | -    | 0.4                                 | -    | 0.4                                 | -    | 0.5                                 | -    | ns        |       |
| Data-in and data mask to DK hold time       | $t_{DH}$                   | 0.17                                | -    | 0.25                                | -    | 0.25                                | -    | 0.3                                 | -    | ns        |       |
| <b>Data and Data Strobe</b>                 |                            |                                     |      |                                     |      |                                     |      |                                     |      |           |       |
| Output data clock HIGH time                 | $t_{QKH}$                  | 0.9                                 | 1.1  | 0.9                                 | 1.1  | 0.9                                 | 1.1  | 0.9                                 | 1.1  | $t_{CKH}$ |       |
| Output data clock LOW time                  | $t_{QKL}$                  | 0.9                                 | 1.1  | 0.9                                 | 1.1  | 0.9                                 | 1.1  | 0.9                                 | 1.1  | $t_{CKL}$ |       |
| Half-clock period                           | $t_{QHP}$                  | MIN<br>( $t_{QKH}$ ,<br>$t_{QKL}$ ) | -    | MIN<br>( $t_{QKH}$ ,<br>$t_{QKL}$ ) | -    | MIN<br>( $t_{QKH}$ ,<br>$t_{QKL}$ ) | -    | MIN<br>( $t_{QKH}$ ,<br>$t_{QKL}$ ) | -    |           |       |
| QK edge to clock edge skew                  | $t_{CKQK}$                 | -0.2                                | 0.2  | -0.25                               | 0.25 | -0.25                               | 0.25 | -0.3                                | 0.3  | ns        |       |
| QK edge to output data edge                 | $t_{QKQ0}$ ,<br>$t_{QKQ1}$ | -0.12                               | 0.12 | -0.2                                | 0.2  | -0.2                                | 0.2  | -0.25                               | 0.25 | ns        | 7     |
| QK edge to any output data edge             | $t_{QKQ}$                  | -0.22                               | 0.22 | -0.3                                | 0.3  | -0.3                                | 0.3  | -0.35                               | 0.35 | ns        | 8     |
| QK edge to QVLD                             | $t_{QKVLD}$                | -0.22                               | 0.22 | -0.3                                | 0.3  | -0.3                                | 0.3  | -0.35                               | 0.35 | ns        |       |

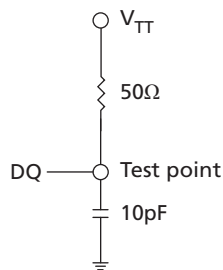
**Table 15: AC Electrical Characteristics: -18, -25E, -25, -33 (Continued)**

Notes 1–4 apply to the entire table

| Description                       | Symbol     | -18   |      | -25E  |      | -25   |      | -33   |      | Units   | Notes |
|-----------------------------------|------------|---|------|---|------|---|------|---|------|---------|-------|
|                                   |            | Min   | Max  | Min   | Max  | Min   | Max  | Min   | Max  |         |       |
| Data valid window                 | $t_{DVW}$  | $t_{QHP} - (t_{QKQx} [MAX] +  t_{QKQx} [MIN] )$ | –    | $t_{QHP} - (t_{QKQx} [MAX] +  t_{QKQx} [MIN] )$ | –    | $t_{QHP} - (t_{QKQx} [MAX] +  t_{QKQx} [MIN] )$ | –    | $t_{QHP} - (t_{QKQx} [MAX] +  t_{QKQx} [MIN] )$ | –    |         |       |
| <b>Refresh</b>                    |            |   |      |   |      |   |      |   |      |         |       |
| Average periodic refresh interval | $t_{REFI}$ | –   | 0.24 | –   | 0.24 | –   | 0.24 | –   | 0.24 | $\mu s$ | 9     |

## Notes

1. All timing parameters are measured relative to the crossing point of CK/CK#, DK/DK# and to the crossing point with  $V_{REF}$  of the command, address, and data signals.
2. Outputs measured with equivalent load:



3. Tests for AC timing,  $I_{DD}$ , and electrical AC and DC characteristics may be conducted at nominal reference/supply voltage levels, but the related specifications and device operations are tested for the full voltage range specified.
4. AC timing may use a  $V_{IL}$ -to- $V_{IH}$  swing of up to 1.5V in the test environment, but input timing is still referenced to  $V_{REF}$  (or to the crossing point for CK/CK#), and parameter specifications are tested for the specified AC input levels under normal use conditions. The minimum slew rate for the input signals used to test the device is 2 V/ns in the range between  $V_{IL(AC)}$  and  $V_{IH(AC)}$ .
5. Clock phase jitter is the variance from clock rising edge to the next expected clock rising edge.
6. Frequency drift is not allowed.
7.  $t_{QKQ0}$  is referenced to DQ0–DQ17 for the x36 configuration and DQ0–DQ8 for the x18 configuration.  $t_{QKQ1}$  is referenced to DQ18–DQ35 for the x36 configuration and DQ9–DQ17 for the x18 configuration.
8.  $t_{QKQ}$  takes into account the skew between any QKx and any Q.
9. To improve efficiency, eight AREF commands (one for each bank) can be posted on consecutive cycles at periodic intervals of 1.95 $\mu s$ .
10. For Rev. A material,  $t_{CK MAX}$  is 2.7ns at the -18 speed grade.

## Temperature and Thermal Impedance

It is imperative that the device's temperature specifications are maintained in order to ensure that the junction temperature is in the proper operating range to meet data sheet specifications. An important step in maintaining the proper junction temperature is using the device's thermal impedances correctly. The thermal impedances are listed for the available packages.

Using thermal impedances incorrectly can produce significant errors. Read Micron technical note TN-00-08, "Thermal Applications," prior to using the thermal impedances listed in the Temperature Limits table. For designs that are expected to last several years and require the flexibility to use several DRAM die shrinks, consider using final target theta values (rather than existing values) to account for increased thermal impedances from the die size reduction.

The device's safe junction temperature range can be maintained when the  $T_C$  specification is not exceeded. In applications where the device's ambient temperature is too high, use of forced air and/or heat sinks may be required in order to satisfy the case temperature specifications.

**Table 16: Temperature Limits**

| Parameter                        |            | Symbol    | Min | Max  | Units | Notes   |
|----------------------------------|------------|-----------|-----|------|-------|---------|
| Storage temperature              |            | $T_{STG}$ | -55 | +150 | °C    | 1       |
| Reliability junction temperature | Commercial | $T_J$     | -   | +110 | °C    | 2       |
|                                  | Industrial |           | -   | +110 | °C    | 2       |
| Operating junction temperature   | Commercial | $T_J$     | 0   | +100 | °C    | 3       |
|                                  | Industrial |           | -40 | +100 | °C    | 3       |
| Operating case temperature       | Commercial | $T_C$     | 0   | +95  | °C    | 4, 5    |
|                                  | Industrial |           | -40 | +95  | °C    | 4, 5, 6 |

- Notes:
1. MAX storage case temperature;  $T_{STG}$  is measured in the center of the package, as shown in the Example Temperature Test Point Location figure. This case temperature limit can be exceeded briefly during package reflow, as noted in Micron technical note TN-00-15.
  2. Temperatures greater than 110°C may cause permanent damage to the device. This is a stress rating only and functional operation of the device at or above this is not implied. Exposure to absolute maximum rating conditions for extended periods may affect the reliability of the part.
  3. Junction temperature depends upon package type, cycle time, loading, ambient temperature, and airflow.
  4. MAX operating case temperature;  $T_C$  is measured in the center of the package, as shown in the Example Temperature Test Point Location figure.
  5. Device functionality is not guaranteed if the device exceeds maximum  $T_C$  during operation.
  6. Both temperature specifications must be satisfied.

**Table 17: Thermal Impedance**

| Package | Substrate | $\theta_{JA}$ ( $^{\circ}\text{C}/\text{W}$ ) Air-flow = 0m/s | $\theta_{JA}$ ( $^{\circ}\text{C}/\text{W}$ ) Air-flow = 1m/s | $\theta_{JA}$ ( $^{\circ}\text{C}/\text{W}$ ) Air-flow = 2m/s | $\theta_{JB}$ ( $^{\circ}\text{C}/\text{W}$ ) | $\theta_{JC}$ ( $^{\circ}\text{C}/\text{W}$ ) |
|---------|-----------|---|---|---|---|---|
| Rev. A  | 2-layer   | 45.4  | 31.5  | 26.3  | 15.1  | 1.5   |
|         | 4-layer   | 30.2  | 23.2  | 21.1  | 14.3  |   |

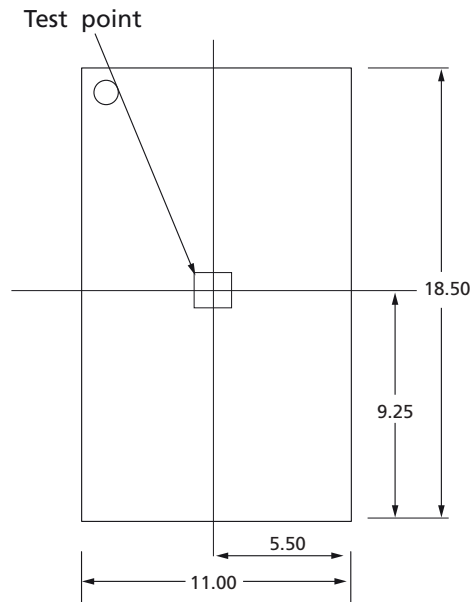
Note: 1. Thermal impedance data is based on a number of samples from multiple lots and should be viewed as a typical number.

**Table 18: Thermal Impedance**

| Die Rev. | Package    | Substrate         | $\theta_{JA}$ ( $^{\circ}\text{C}/\text{W}$ ) Airflow = 0m/s | $\theta_{JA}$ ( $^{\circ}\text{C}/\text{W}$ ) Airflow = 1m/s | $\theta_{JA}$ ( $^{\circ}\text{C}/\text{W}$ ) Airflow = 2m/s | $\theta_{JB}$ ( $^{\circ}\text{C}/\text{W}$ ) | $\theta_{JC}$ ( $^{\circ}\text{C}/\text{W}$ ) |
|----------|------------|-------------------|--|--|--|---|---|
| Rev. B   | $\mu$ FBGA | Low conductivity  | 53.7   | 42.0   | 37.7   | N/A   | 3.9   |
|          |            | High conductivity | 34.1   | 28.9   | 27.1   | 21.9  | N/A   |
|          | FBGA       | Low conductivity  | 45.3   | 34.1   | 30.2   | N/A   | 3.1   |
|          |            | High conductivity | 28.2   | 23.2   | 21.5   | 17.3  | N/A   |

Note: 1. Thermal resistance data is based on a number of samples from multiple lots and should be viewed as a typical number.

**Figure 10: Example Temperature Test Point Location**



## Commands

All input states or sequences not shown are illegal or reserved. All command and address inputs must meet setup and hold times around the rising edge of CK.

**Table 19: Description of Commands**

| Command  | Description   | Notes |
|----------|---|-------|
| DSEL/NOP | The NOP command is used to perform a no operation, which essentially deselects the chip. Use the NOP command to prevent unwanted commands from being registered during idle or wait states. Operations already in progress are not affected. Output values depend on command history.   | 1     |
| MRS      | The mode register is set via the address inputs A0–A17. See Mode Register Definition in Nonmultiplexed Address Mode for further information. The MRS command can only be issued when all banks are idle and no other operation is in progress.  |       |
| READ     | The READ command is used to initiate a burst read access to a bank. The value on the BA0–BA2 inputs selects the bank, and the address provided on inputs A0–An selects the data location within the bank.   | 2     |
| WRITE    | The WRITE command is used to initiate a burst write access to a bank. The value on the BA0–BA2 inputs selects the bank, and the address provided on inputs A0–An selects the data location within the bank. Input data appearing on the DQ is written to the memory array subject to the DM input logic level appearing coincident with the data. If the DM signal is registered LOW, the corresponding data will be written to memory. If the DM signal is registered HIGH, the corresponding data inputs will be ignored (that is, this part of the data word will not be written). | 2     |
| AREF     | The AREF command is used during normal operation to refresh the memory content of a bank. The command is nonpersistent, so it must be issued each time a refresh is required. The value on the BA0–BA2 inputs selects the bank. The refresh address is generated by an internal refresh controller, effectively making each address bit a “Don’t Care” during the AREF command. See AUTO REFRESH (AREF) for more details.   |       |

- Notes: 1. When the chip is deselected, internal NOP commands are generated and no commands are accepted.  
2.  $n = 21$ .

**Table 20: Command Table**

Notes 1–2 apply to the entire table

| Operation                    | Code     | CS# | WE# | REF# | A0–An <sup>2</sup> | BA0–BA2 | Notes |
|------------------------------|----------|-----|-----|------|--------------------|---------|-------|
| Device Deselect/no operation | DSEL/NOP | H   | X   | X    | X                  | X       |       |
| MRS                          | MRS      | L   | L   | L    | OPCODE             | X       | 3     |
| READ                         | READ     | L   | H   | H    | A                  | BA      | 4     |
| WRITE                        | WRITE    | L   | L   | H    | A                  | BA      | 4     |
| AUTO REFRESH                 | AREF     | L   | H   | L    | X                  | BA      |       |

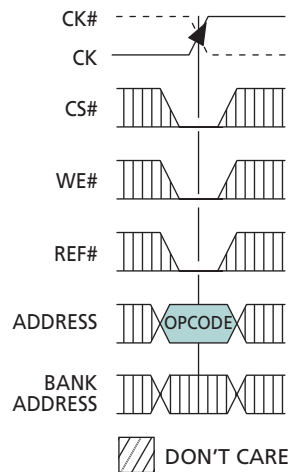
- Notes: 1. X = “Don’t Care;” H = logic HIGH; L = logic LOW; A = valid address; BA = valid bank address.  
2.  $n = 21$ .  
3. Only A0–A17 are used for the MRS command.  
4. Address width varies with burst length; see Burst Length for details.

### MODE REGISTER SET (MRS)

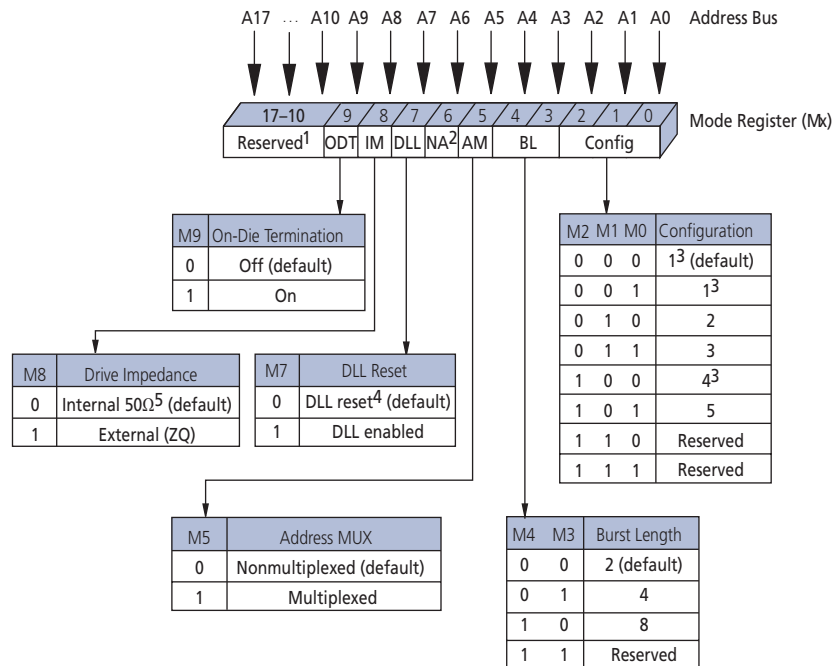
The mode register set stores the data for controlling the operating modes of the memory. It programs the device configuration, burst length, test mode, and I/O options. During an MRS command, the address inputs A0–A17 are sampled and stored in the mode register. After issuing a valid MRS command, tMRSC must be met before any command can be issued to the device. This statement does not apply to the consecutive MRS commands needed for internal logic reset during the initialization routine. The MRS command can only be issued when all banks are idle and no other operation is in progress.

**Note:** The data written by the prior burst length is not guaranteed to be accurate when the burst length of the device is changed.

Figure 11: MODE REGISTER Command



**Figure 12: Mode Register Definition in Nonmultiplexed Address Mode**



- Notes:
1. A10–A17 must be set to zero; A18–An = “Don’t Care.”
  2. A6 not used in MRS.
  3. BL = 8 is not available.
  4. DLL RESET turns the DLL off.
  5. ±30% temperature variation.

## Configuration Tables

The following table shows the different configurations that can be programmed into the mode register. The WRITE latency is equal to the READ latency plus one in each configuration in order to maximize data bus utilization. Bits M0, M1, and M2 are used to select the configuration during the MRS command.

**Table 21: Cycle Time and READ/WRITE Latency Configuration Table**

Notes 1–2 apply to the entire table

| Parameter             | Configuration  |         |         |                   |         | Units           |
|-----------------------|----------------|---------|---------|-------------------|---------|-----------------|
|                       | 1 <sup>3</sup> | 2       | 3       | 4 <sup>3, 4</sup> | 5       |                 |
| <sup>t</sup> RC       | 4              | 6       | 8       | 3                 | 5       | <sup>t</sup> CK |
| <sup>t</sup> RL       | 4              | 6       | 8       | 3                 | 5       | <sup>t</sup> CK |
| <sup>t</sup> WL       | 5              | 7       | 9       | 4                 | 6       | <sup>t</sup> CK |
| Valid frequency range | 266–175        | 400–175 | 533–175 | 200–175           | 333–175 | MHz             |

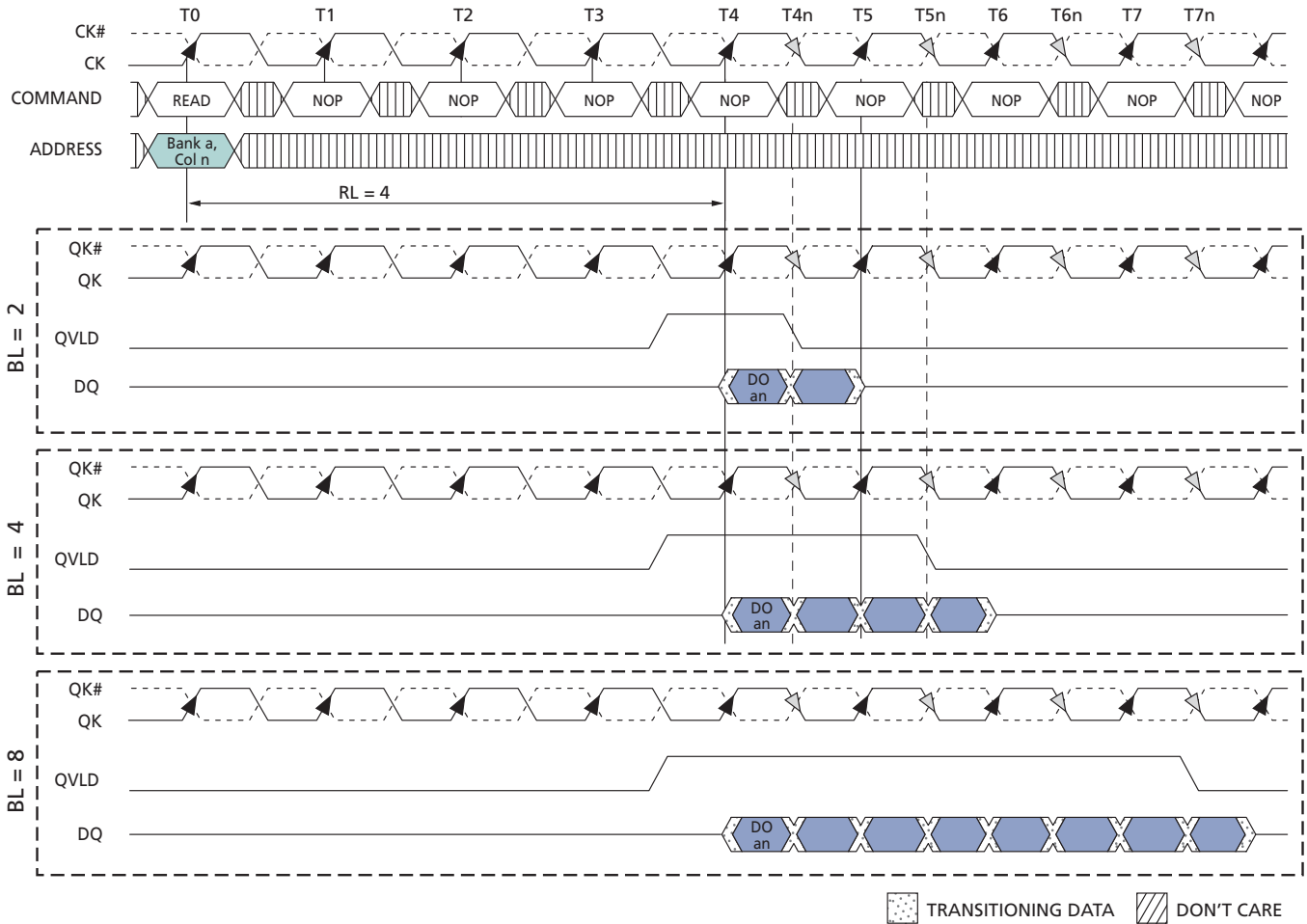
- Notes:
- <sup>t</sup>RC < 20ns in any configuration only available with -25E and -18 speed grades.
  - Minimum operating frequency for the Die Rev. A -18 is 370 MHz.
  - BL = 8 is not available.
  - The minimum <sup>t</sup>RC is typically 3 cycles, except in the case of a WRITE followed by a READ to the same bank. In this instance the minimum <sup>t</sup>RC is 4 cycles.

## Burst Length (BL)

Burst length is defined by M3 and M4 of the mode register. Read and write accesses to the device are burst-oriented, with the burst length being programmable to 2, 4, or 8. The figure here illustrates the different burst lengths with respect to a READ command. Changes in the burst length affect the width of the address bus.

**Note:** The data written by the prior burst length is not guaranteed to be accurate when the burst length of the device is changed.

Figure 13: Read Burst Lengths



- Notes: 1. DO *an* = data-out from bank *a* and address *an*.  
 2. Subsequent elements of data-out appear after DO *n*.  
 3. Shown with nominal <sup>t</sup>CKQK.

Table 22: Address Widths at Different Burst Lengths

| Burst Length | x9     | x18    | x36    |
|--------------|--------|--------|--------|
| 2            | A0–A21 | A0–A20 | A0–A19 |
| 4            | A0–A20 | A0–A19 | A0–A18 |
| 8            | A0–A19 | A0–A18 | A0–A17 |

## Address Multiplexing

Although the device has the ability to operate with an SRAM interface by accepting the entire address in one clock, an option in the mode register can be set so that it functions with multiplexed addresses, similar to a traditional DRAM. In multiplexed address mode, the address can be provided to the device in two parts that are latched into the memory with two consecutive rising clock edges. This provides the advantage of only needing a maximum of 11 address balls to control the device, reducing the number of signals on the controller side.

The data bus efficiency in continuous burst mode is only affected when using the BL = 2 setting because the device requires two clocks to read and write the data. The bank addresses are delivered to the device at the same time as the WRITE and READ commands and the first address part, Ax. The 576Mb Address Mapping in Multiplexed Address Mode table shows the addresses needed for both the first and second rising clock edges (Ax and Ay, respectively).

The AREF command does not require an address on the second rising clock edge because only the bank address is needed during this command. Because of this, AREF commands may be issued on consecutive clocks. The multiplexed address option is available by setting bit M5 to 1 in the mode register. When this bit is set, the READ, WRITE, and MRS commands follow the format described in Command Description in Multiplexed Address Mode, which includes further information on operation with multiplexed addresses.

## DLL RESET

DLL reset is selected with bit M7 of the mode register as shown in Mode Register Definition in Nonmultiplexed Address Mode table. The default setting for this option is LOW, whereby the DLL is disabled. Once M7 is set HIGH, 1,024 cycles (5 $\mu$ s at 200 MHz) are needed before a read command can be issued. This time allows the internal clock to be synchronized with the external clock. Failing to wait for synchronization to occur may result in a violation of the  $t_{CKQK}$  parameter. A reset of the DLL is necessary if  $t_{CK}$  or  $V_{DD}$  is changed after the DLL has already been enabled. To reset the DLL, an MRS command must be issued where M7 is set LOW. After waiting  $t_{MRSC}$ , a subsequent MRS command should be issued whereby M7 goes high. 1,024 clock cycles are then needed before a READ command is issued.

## Drive Impedance Matching

The device is equipped with programmable impedance output buffers. This option is selected by setting bit M8 HIGH during the MRS command. The purpose of the programmable impedance output buffers is to allow the user to match the driver impedance to the system. To adjust the impedance, an external precision resistor (RQ) is connected between the ZQ ball and  $V_{SS}$ . The value of the resistor must be five times the desired impedance. For example, a 300 $\Omega$  resistor is required for an output impedance of 60 $\Omega$ . The range of RQ is 125–300 $\Omega$ , which guarantees output impedance in the range of 25–60 $\Omega$  (within 15%).

Output impedance updates may be required because over time variations may occur in supply voltage and temperature. When the external drive impedance is enabled in the MRS, the device will periodically sample the value of RQ. An impedance update is transparent to the system and does not affect device operation. All data sheet timing and current specifications are met during an update.

When bit M8 is set LOW during the MRS command, the device provides an internal impedance at the output buffer of  $50\Omega$  ( $\pm 30\%$  with temperature variation). This impedance is also periodically sampled and adjusted to compensate for variation in supply voltage and temperature.

### On-Die Termination (ODT)

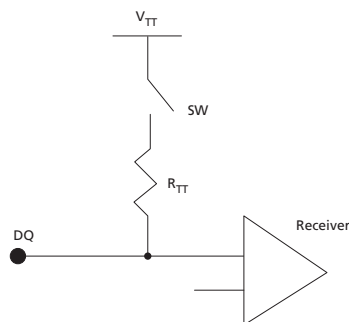
ODT is enabled by setting M9 to 1 during an MRS command. With ODT on, DQ and DM pins are terminated to  $V_{TT}$  with a resistance  $R_{TT}$ . The command, address, QVLD, and clock signals are not terminated. The figure here shows the equivalent circuit of a DQ receiver with ODT. The ODT function is dynamically switched off when a DQ begins to drive after a READ command is issued. Similarly, ODT is designed to switch on at DQ after the device has issued the last piece of data. The DM pin will always be terminated. See the Operations section for relevant timing diagrams.

**Table 23: On-Die Termination DC Parameters**

| Description         | Symbol   | Min                   | Max                   | Units    | Notes |
|---------------------|----------|-----------------------|-----------------------|----------|-------|
| Termination voltage | $V_{TT}$ | $0.95 \times V_{REF}$ | $1.05 \times V_{REF}$ | V        | 1, 2  |
| On-die termination  | $R_{TT}$ | 125                   | 185                   | $\Omega$ | 3     |

- Notes:
1. All voltages referenced to  $V_{SS}$  (GND).
  2.  $V_{TT}$  is expected to be set equal to  $V_{REF}$  and must track variations in the DC level of  $V_{REF}$ .
  3. The  $R_{TT}$  value is measured at  $95^\circ\text{C } T_C$ .

**Figure 14: On-Die Termination-Equivalent Circuit**



## WRITE

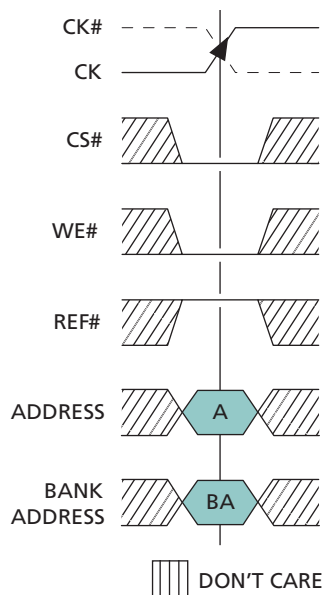
Write accesses are initiated with a WRITE command, as shown in the following figure. The address needs to be provided during the WRITE command.

During WRITE commands, data will be registered at both edges of DK according to the programmed burst length (BL). The device operates with a WRITE latency (WL) that is one cycle longer than the programmed READ latency (RL + 1), with the first valid data registered at the first rising DK edge WL cycles after the WRITE command.

Any WRITE burst may be followed by a subsequent READ command (assuming <sup>t</sup>RC is met). To avoid external data bus contention, at least one NOP command is needed between the WRITE and READ commands. The WRITE-to-READ figure and the WRITE-to-READ (Separated by Two NOPs) figure illustrate the timing requirements for a WRITE followed by a READ where one and two intermediary NOPs are required, respectively.

Setup and hold times for incoming DQ relative to the DK edges are specified as <sup>t</sup>DS and <sup>t</sup>DH. The input data is masked if the corresponding DM signal is HIGH. The setup and hold times for the DM signal are also <sup>t</sup>DS and <sup>t</sup>DH.

Figure 15: WRITE Command



**READ**

A READ command with an address initiates read access. During READ bursts, the memory device drives the read data so it is edge-aligned with the QKx signals. After a programmable READ latency, data is available at the outputs. One half clock cycle prior to valid data on the read bus, the data valid signal, QVLD, transitions from LOW to HIGH. QVLD is also edge-aligned with the QKx signals.

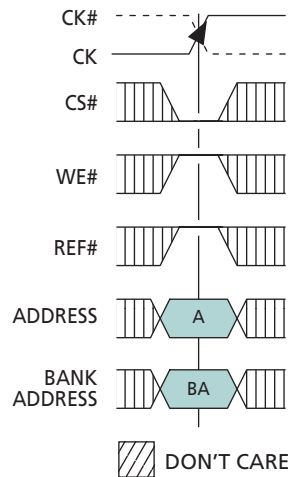
The skew between QK and the crossing point of CK is specified as  $t_{CKQK}$ .  $t_{QKQ0}$  is the skew between QK0 and the last valid data edge generated at the DQ signals associated with QK0 ( $t_{QKQ0}$  is referenced to DQ0–DQ17 for the x36 configuration and DQ0–DQ8 for the x18 configuration).  $t_{QKQ1}$  is the skew between QK1 and the last valid data edge generated at the DQ signals associated with QK1 ( $t_{QKQ1}$  is referenced to DQ18–DQ35 for the x36 and DQ9–DQ17 for the x18 configuration).  $t_{QKQx}$  is derived at each QKx clock edge and is not cumulative over time.  $t_{QKQ}$  is defined as the skew between either QK differential pair and any output data edge.

After completion of a burst, assuming no other commands have been initiated, output data (DQ) goes High-Z. The QVLD signal transitions LOW on the last bit of the READ burst. Note that if CK/CK# violates the  $V_{id(DC)}$  specification while a read burst is occurring, QVLD will remain HIGH until a dummy READ command is issued. The QK clocks are free-running and will continue to cycle after the read burst is complete. Back-to-back READ commands are possible, producing a continuous flow of output data. The data valid window is derived from each QK transition and is defined as:

$t_{QHP} - (t_{QKQ} [MAX] + |t_{QKQ} [MIN]|)$ . See the Read Data Valid Window for x9 Device, Read Data Valid Window for x18 Device, and Read Data Valid Window for x36 Device figures for illustration.

Any READ burst may be followed by a subsequent WRITE command. The READ-to-WRITE figure illustrates the timing requirements for a READ followed by a WRITE. Some systems having long line lengths or severe skews may need additional idle cycles inserted between READ and WRITE commands to prevent data bus contention.

**Figure 16: READ Command**

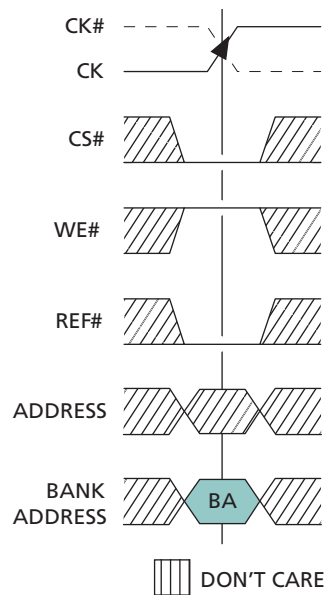


## AUTO REFRESH (AREF)

AREF is used to perform a REFRESH cycle on one row in a specific bank. Because the row addresses are generated by an internal refresh counter for each bank, the external address balls are “Don’t Care.” The bank addresses must be provided during the AREF command, and is needed during the command so refreshing of the part can effectively be hidden behind commands to other banks. The delay between the AREF command and a subsequent command to the same bank must be at least  $t_{RC}$ .

Within a period of 32ms ( $t_{REF}$ ), the entire device must be refreshed. The 576Mb device requires 128K cycles at an average periodic interval of 0.24 $\mu$ s MAX (actual periodic refresh interval is 32ms/16K rows/8 = 0.244 $\mu$ s). To improve efficiency, eight AREF commands (one for each bank) can be posted to the device at periodic intervals of 1.95 $\mu$ s (32ms/16K rows = 1.95 $\mu$ s). The figure here illustrates an example of a refresh sequence.

**Figure 17: AUTO REFRESH Command**



## INITIALIZATION

The device must be powered up and initialized in a predefined manner. Operational procedures other than those specified may result in undefined operations or permanent damage to the device. The following sequence is used for power-up:

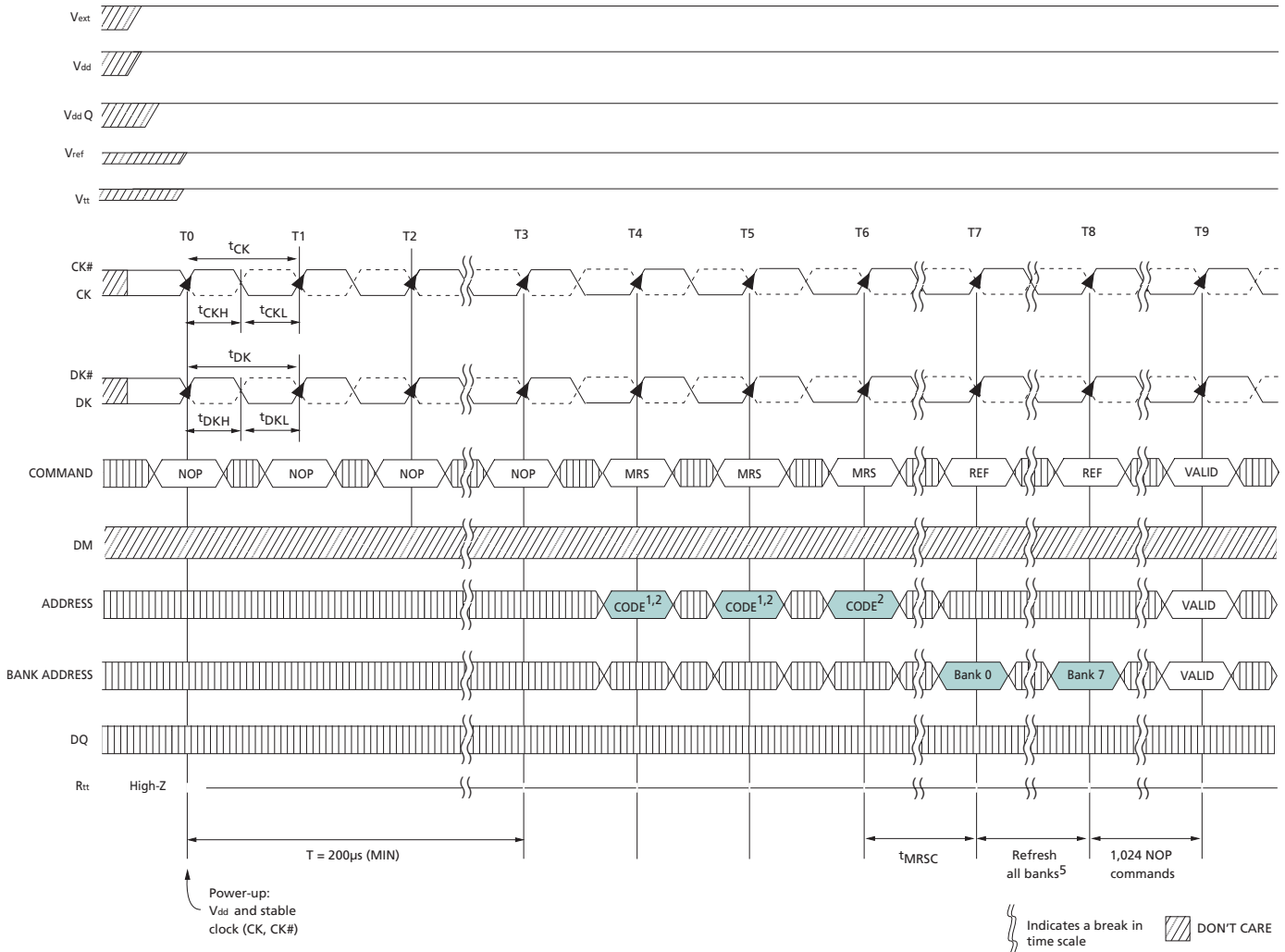
1. Apply power ( $V_{EXT}$ ,  $V_{DD}$ ,  $V_{DDQ}$ ,  $V_{REF}$ ,  $V_{TT}$ ) and start clock as soon as the supply voltages are stable. Apply  $V_{DD}$  and  $V_{EXT}$  before or at the same time as  $V_{DDQ}$ .<sup>1</sup> Apply  $V_{DDQ}$  before or at the same time as  $V_{REF}$  and  $V_{TT}$ . Although there is no timing relation between  $V_{EXT}$  and  $V_{DD}$ , the chip starts the power-up sequence only after both voltages approach their nominal levels. CK/CK# must meet VID(DC) prior to being applied.<sup>2</sup> Apply NOP conditions to command pins. Ensuring CK/CK# meet VID(DC) while applying NOP conditions to the command pins guarantees that the device will not receive unwanted commands during initialization.
2. Maintain stable conditions for 200 $\mu$ s (MIN).

3. Issue at least three consecutive MRS commands: two or more dummies plus one valid MRS. The purpose of these consecutive MRS commands is to internally reset the logic of the device. Note that  $t_{MRSC}$  does not need to be met between these consecutive commands. It is recommended that all address pins are held LOW during the dummy MRS commands.
4.  $t_{MRSC}$  after the valid MRS, an AUTO REFRESH command to all 8 banks (along with 1,024 NOP commands) must be issued prior to normal operation. The sequence of the eight AUTO REFRESH commands (with respect to the 1,024 NOP commands) does not matter. As is required for any operation,  $t_{RC}$  must be met between an AUTO REFRESH command and a subsequent VALID command to the same bank. Note that older versions of the data sheet required each of these AUTO REFRESH commands be separated by 2,048 NOP commands. This properly initializes the device but is no longer required.

It is possible to apply  $V_{DDQ}$  before  $V_{DD}$ . However, when doing this, the DQ, DM, and all other pins with an output driver, will go HIGH instead of tri-stating. These pins will remain HIGH until  $V_{DD}$  is at the same level as  $V_{DDQ}$ . Care should be taken to avoid bus conflicts during this period.

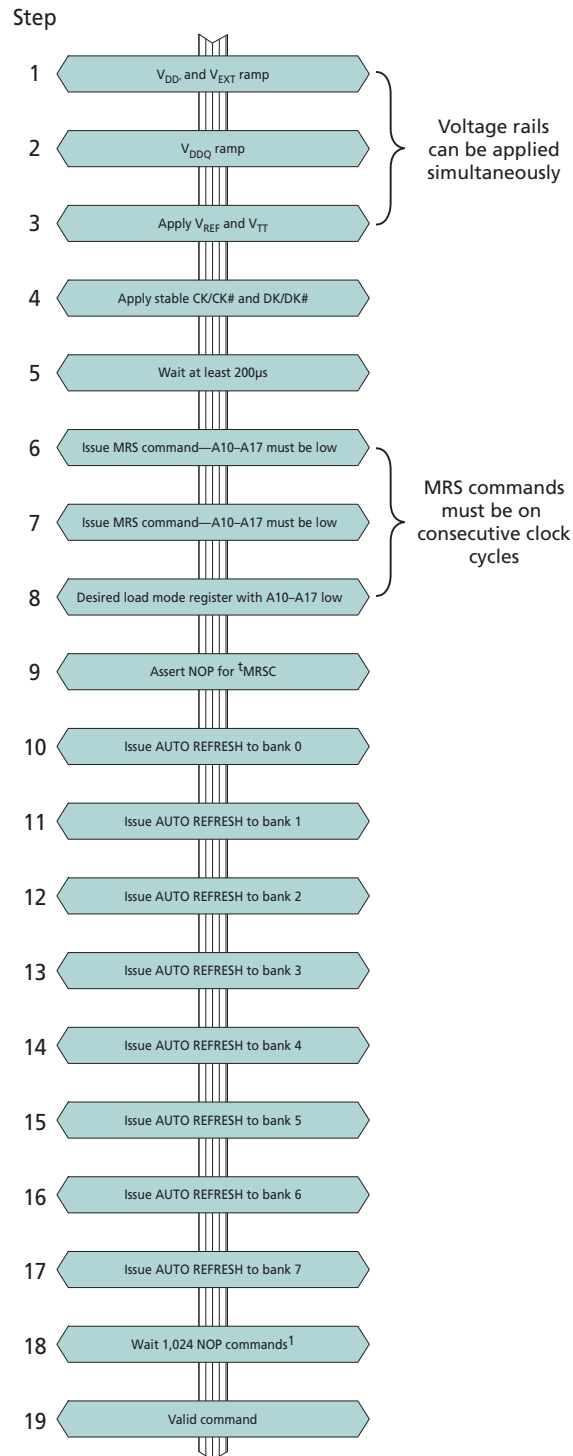
If  $V_{ID(DC)}$  on CK/CK# cannot be met prior to being applied to the device, placing a large external resistor from CS# to  $V_{DD}$  is a viable option for ensuring the command bus does not receive unwanted commands during this unspecified state.

Figure 18: Power-Up/Initialization Sequence



- Notes:
1. Recommend all address pins held LOW during dummy MRS commands.
  2. A10–A17 must be LOW.
  3. DLL must be reset if t<sub>CK</sub> or V<sub>DD</sub> are changed.
  4. CK and CK# must be separated at all times to prevent bogus commands from being issued.
  5. The sequence of the eight AUTO REFRESH commands (with respect to the 1,024 NOP commands) does not matter. As is required for any operation, t<sub>RC</sub> must be met between an AUTO REFRESH command and a subsequent VALID command to the same bank.

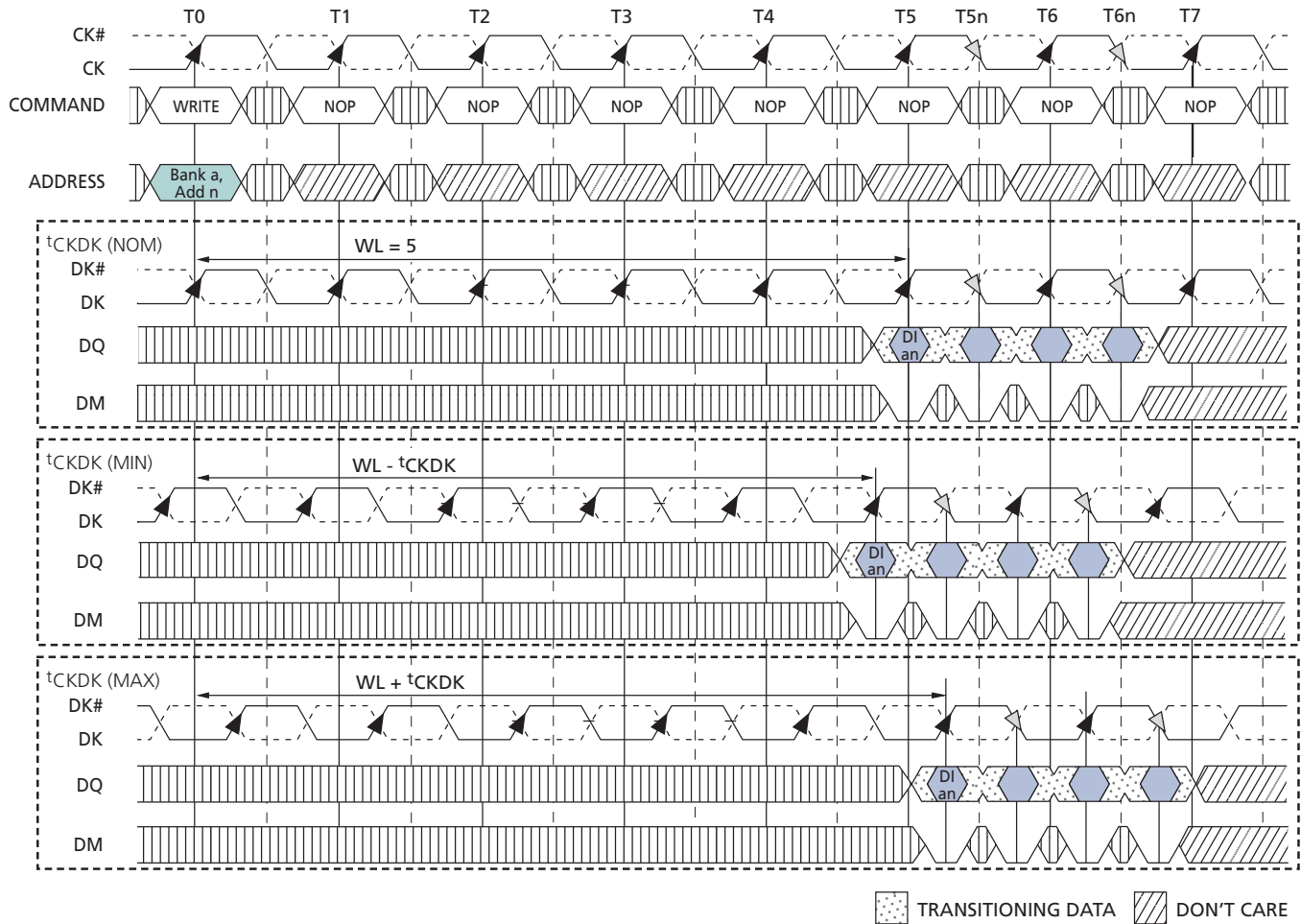
**Figure 19: Power-Up/Initialization Flow Chart**



Note: 1. The sequence of the eight AUTO REFRESH commands (with respect to the 1,024 NOP commands) does not matter. As is required for any operation,  $t_{RC}$  must be met between an AUTO REFRESH command and a subsequent VALID command to the same bank.

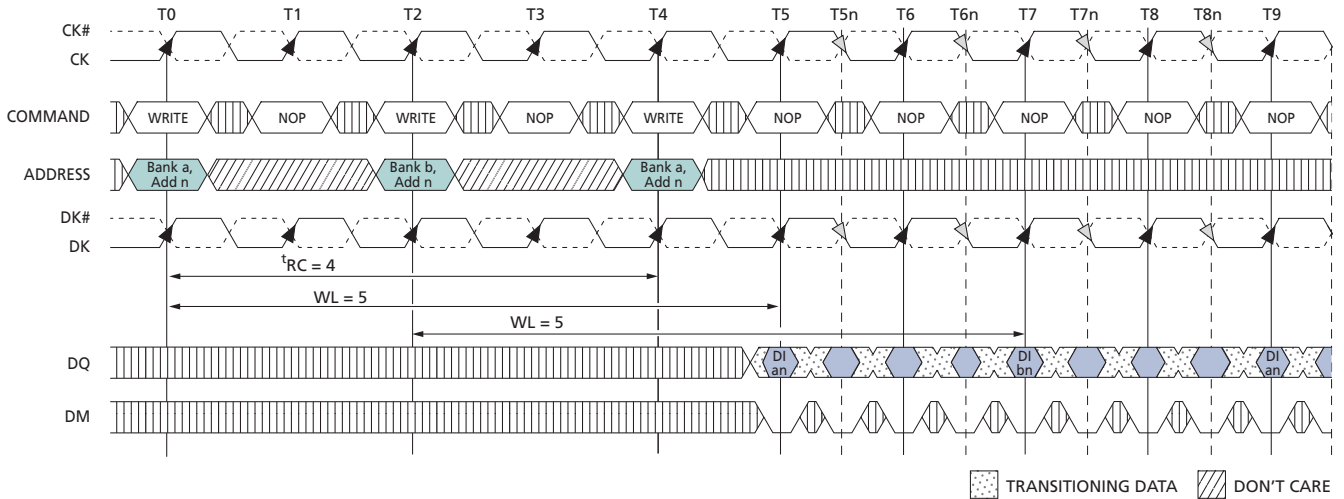
## WRITE

Figure 20: WRITE Burst



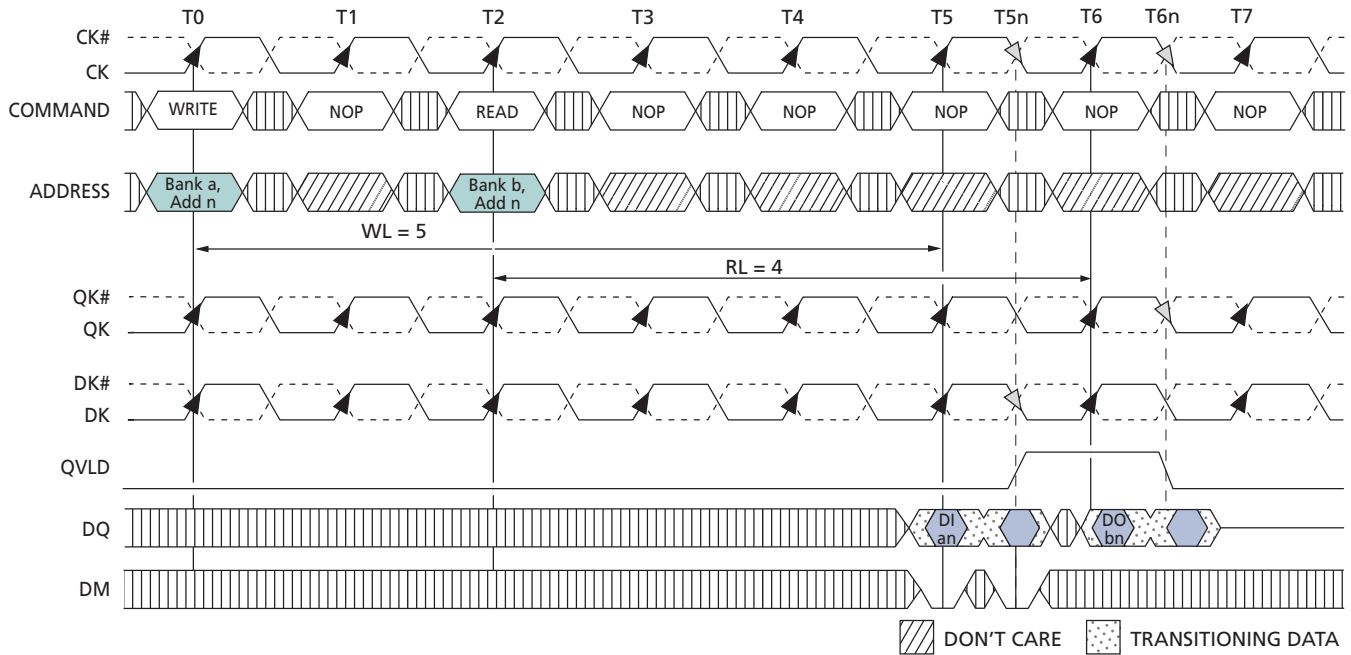
Notes: 1. DI<sub>an</sub> = data-in for bank a and address n; subsequent elements of burst are applied following DI<sub>an</sub>.  
2. BL = 4.

Figure 21: Consecutive WRITE-to-WRITE

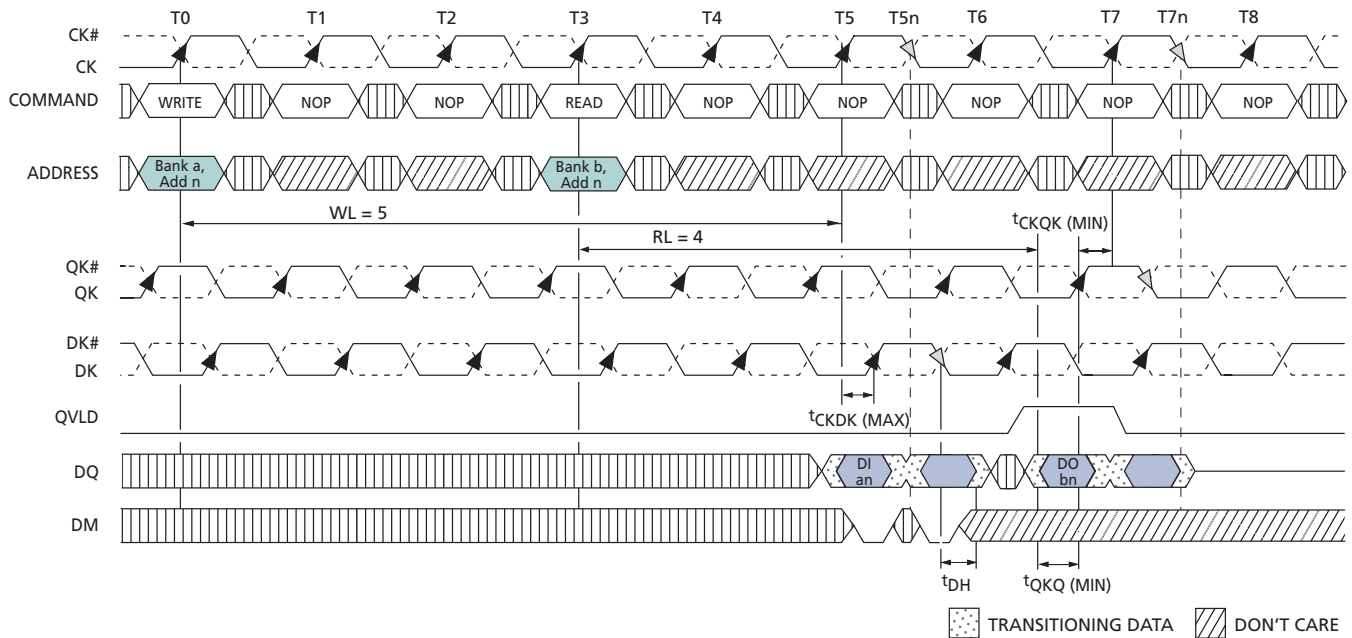


- Notes:
1. DI  $a_n$  (or  $b_n$ ) = data-in for bank a (or b) and address  $n$ .
  2. Three subsequent elements of the burst are applied following DI for each bank.
  3. BL = 4.
  4. Each WRITE command may be to any bank; if the second WRITE is to the same bank,  $t_{RC}$  must be met.
  5. Nominal conditions are assumed for specifications not defined.

Figure 22: WRITE-to-READ

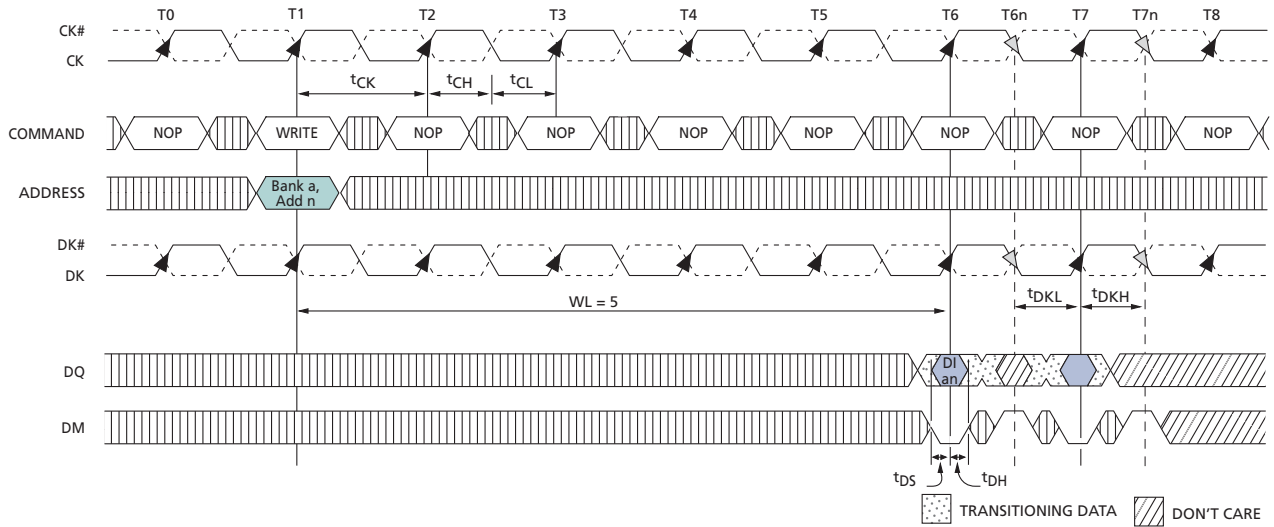


- Notes:
1. DI  $an$  = data-in for bank  $a$  and address  $n$ .
  2. DO  $bn$  = data-out from bank  $b$  and address  $n$ .
  3. Two subsequent elements of each burst follow DI  $an$  and DO  $bn$ .
  4. BL = 2.
  5. Nominal conditions are assumed for specifications not defined.

**Figure 23: WRITE-to-READ (Separated by Two NOPs)**


- Notes:
1.  $DI_{an}$  = data-in for bank  $a$  and address  $n$ .
  2.  $DO_{bn}$  = data-out from bank  $b$  and address  $n$ .
  3. One subsequent element of each burst follow both  $DI_{an}$  and  $DO_{bn}$ .
  4.  $BL = 2$ .
  5. Only one NOP separating the WRITE and READ would have led to contention on the data bus because of the input and output data timing conditions being used.
  6. Nominal conditions are assumed for specifications not defined.

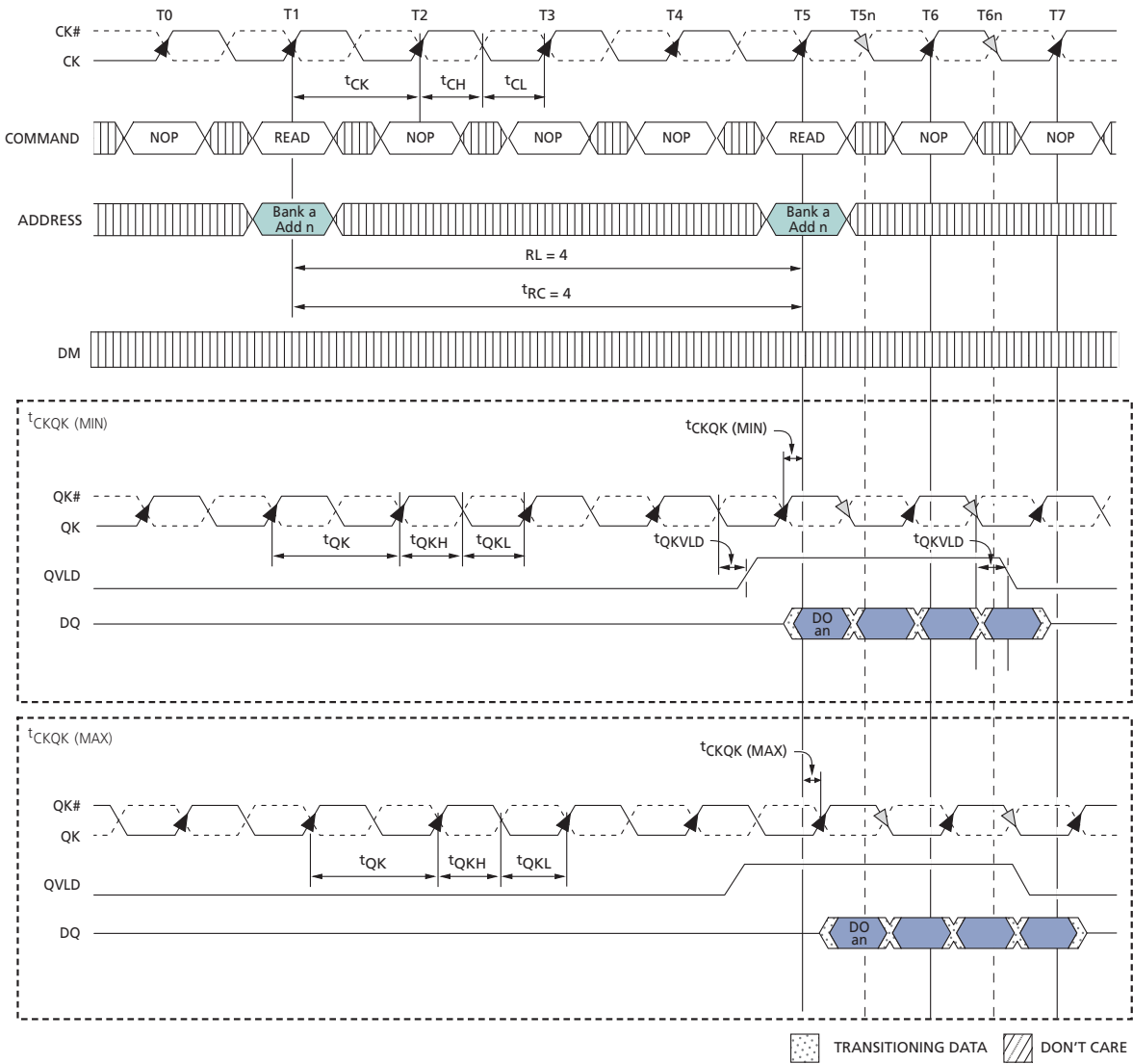
Figure 24: WRITE – DM Operation



- Notes:
1. DI  $an$  = data-in for bank  $a$  and address  $n$ .
  2. Subsequent elements of burst are provided on following clock edges.
  3. BL = 4.
  4. Nominal conditions are assumed for specifications not defined.

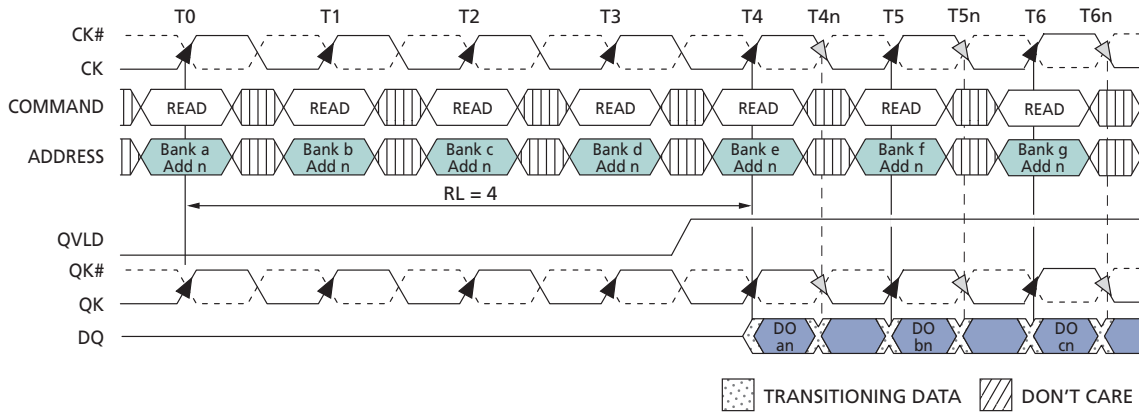
READ

Figure 25: Basic READ Burst Timing



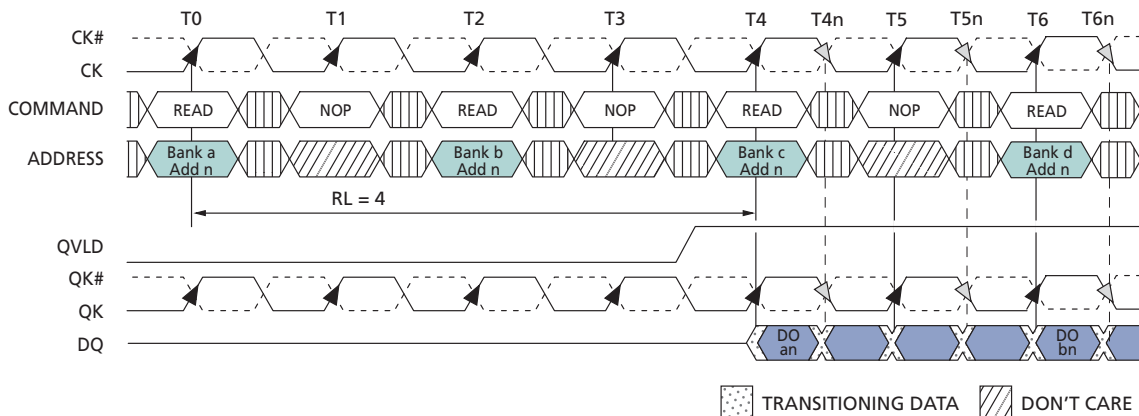
- Notes:
1. DO *an* = data-out from bank *a* and address *an*.
  2. Three subsequent elements of the burst are applied following DO *an*.
  3. BL = 4.
  4. Nominal conditions are assumed for specifications not defined.

Figure 26: Consecutive READ Bursts (BL = 2)



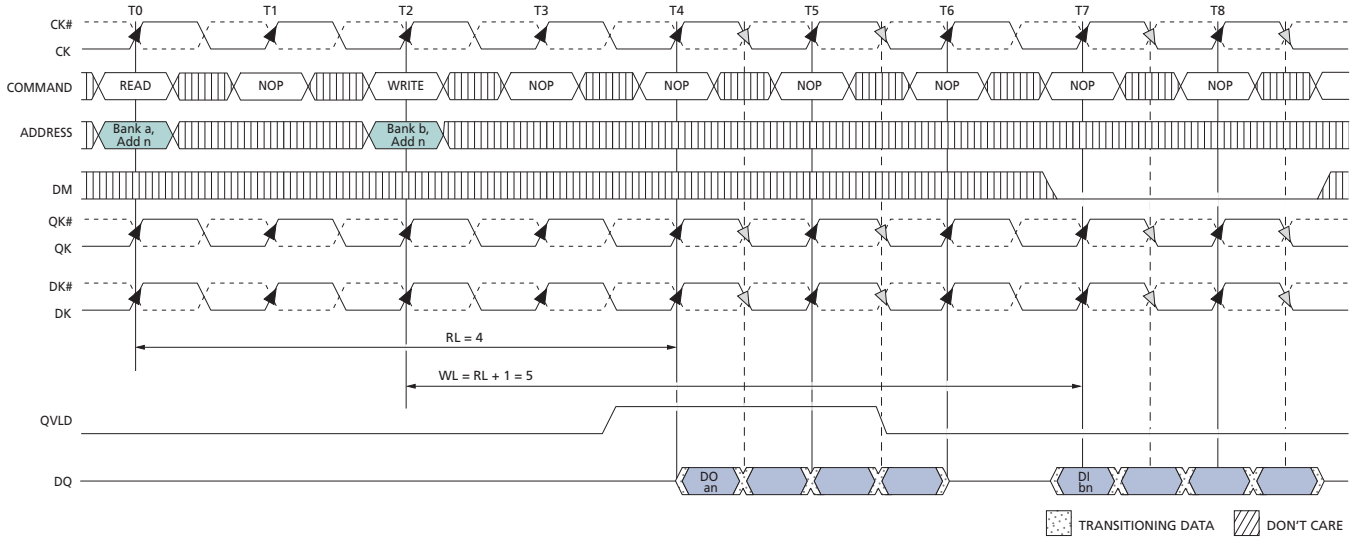
- Notes:
1. DO *an* (or *bn* or *cn*) = data-out from bank *a* (or bank *b* or bank *c*) and address *n*.
  2. One subsequent element of the burst from each bank appears after each DO *x*.
  3. Nominal conditions are assumed for specifications not defined.
  4. Example applies only when READ commands are issued to same device.
  5. Bank address can be to any bank, but the subsequent READ can only be to the same bank if  $t_{RC}$  has been met.
  6. Data from the READ commands to bank *d* through bank *g* will appear on subsequent clock cycles that are not shown.

Figure 27: Consecutive READ Bursts (BL = 4)



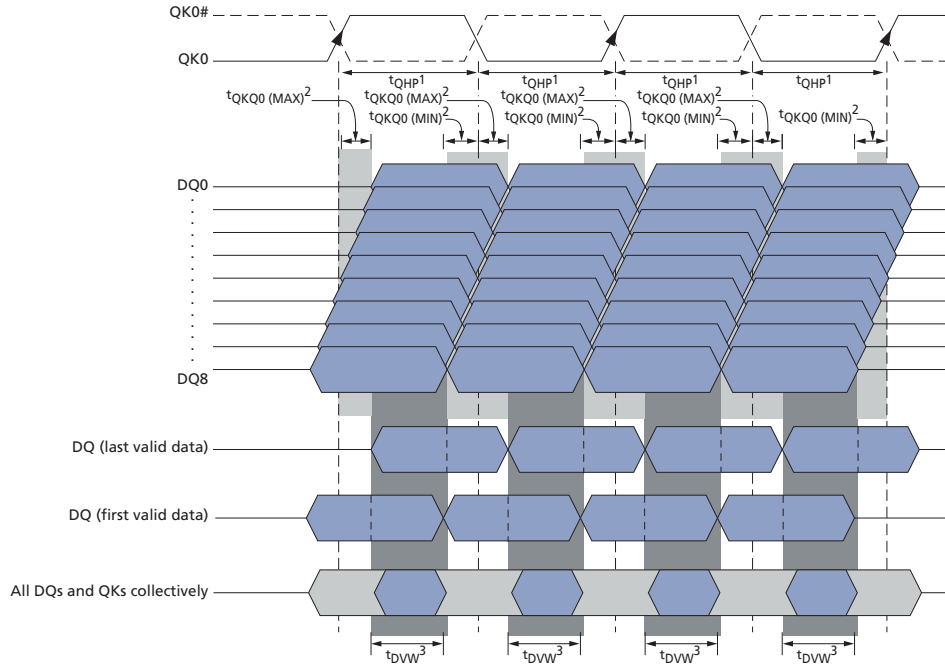
- Notes:
1. DO *an* (or *bn*) = data-out from bank *a* (or bank *b*) and address *n*.
  2. Three subsequent elements of the burst from each bank appears after each DO *x*.
  3. Nominal conditions are assumed for specifications not defined.
  4. Example applies only when READ commands are issued to same device.
  5. Bank address can be to any bank, but the subsequent READ can only be to the same bank if  $t_{RC}$  has been met.
  6. Data from the READ commands to banks *c* and *d* will appear on subsequent clock cycles that are not shown.

Figure 28: READ-to-WRITE



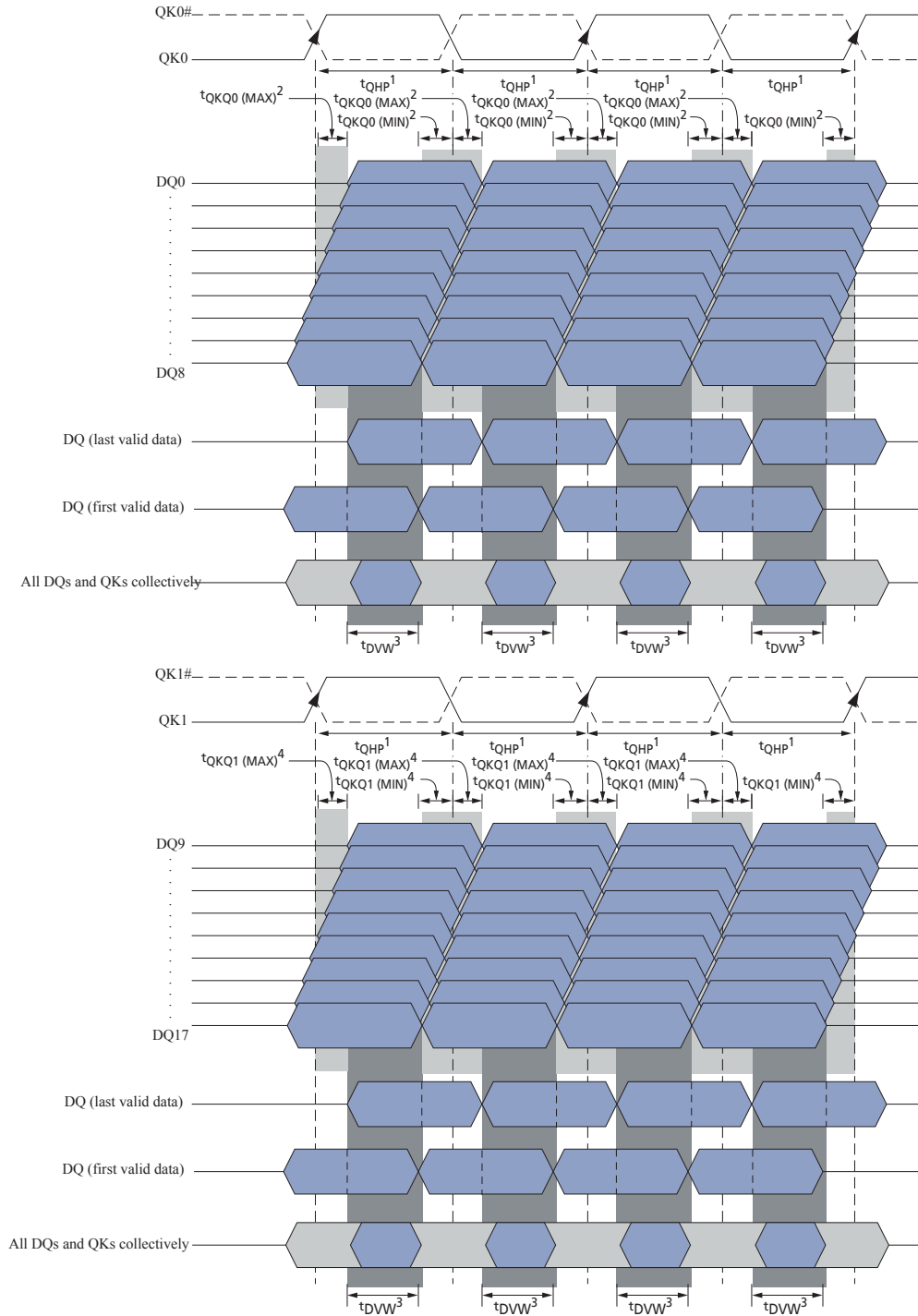
- Notes:
1. DO  $an$  = data-out from bank  $a$  and address  $n$ .
  2. DI  $bn$  = data-in for bank  $b$  and address  $n$ .
  3. Three subsequent elements of each burst follow DI  $bn$  and each DO  $an$ .
  4. BL = 4.
  5. Nominal conditions are assumed for specifications not defined.

Figure 29: Read Data Valid Window for x9 Device



- Notes:
1.  $t_{QHP}$  is defined as the lesser of  $t_{QKH}$  or  $t_{QKL}$ .
  2.  $t_{QKQ0}$  is referenced to DQ0–DQ8.
  3. Minimum data valid window ( $t_{DQVW}$ ) can be expressed as  $t_{QHP} - (t_{QKQx [MAX]} + |t_{QKQx [MIN]}|)$ .

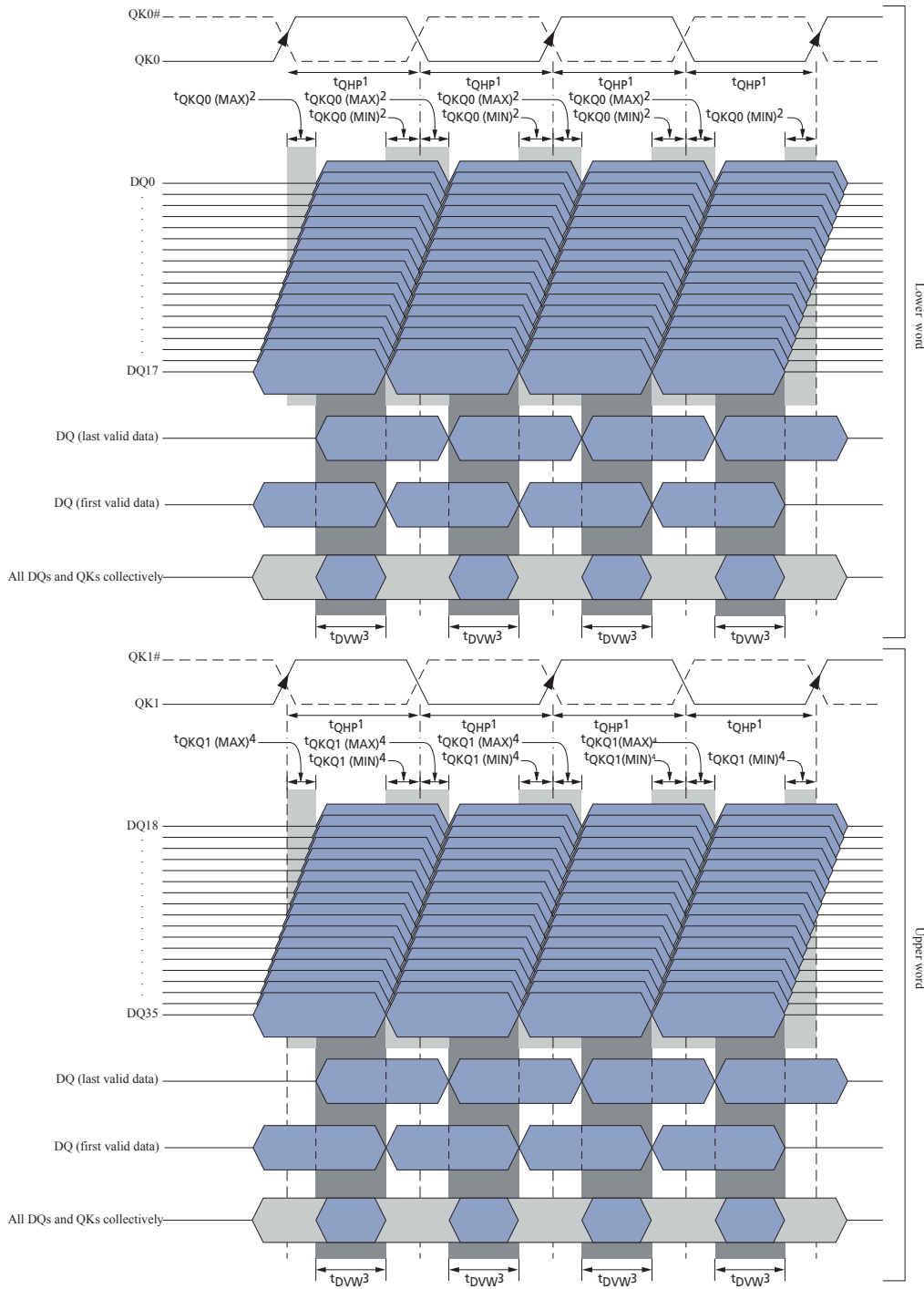
Figure 30: Read Data Valid Window for x18 Device



- Notes: 1.  $t_{QHP}$  is defined as the lesser of  $t_{QKH}$  or  $t_{QKL}$ .  
2.  $t_{QKQ0}$  is referenced to DQ0–DQ8.

3. Minimum data valid window ( $t_{DVW}$ ) can be expressed as  $t_{QHP} - (t_{QKQx} [MAX] + |t_{QKQx} [MIN]|)$ .
4.  $t_{QKQ1}$  is referenced to DQ9–DQ17.
5.  $t_{QKQ}$  takes into account the skew between any QKx and any DQ.

Figure 31: Read Data Valid Window for x36 Device

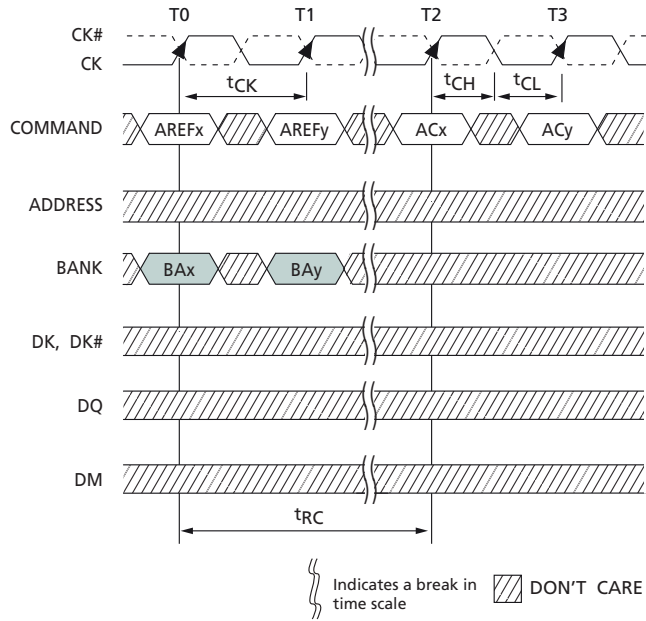


- Notes: 1.  $t_{QHP}$  is defined as the lesser of  $t_{QKH}$  or  $t_{QKL}$ .  
 2.  $t_{QKQ0}$  is referenced to DQ0–DQ17.

3. Minimum data valid window,  $t_{DVW}$ , can be expressed as  $t_{QHP} - (t_{QKQx} [MAX] + |t_{QKQx} [MIN]|)$ .
4.  $t_{QKQ1}$  is referenced to DQ18–DQ35.
5.  $t_{QKQ}$  takes into account the skew between any QKx and any DQ.

## AUTO REFRESH

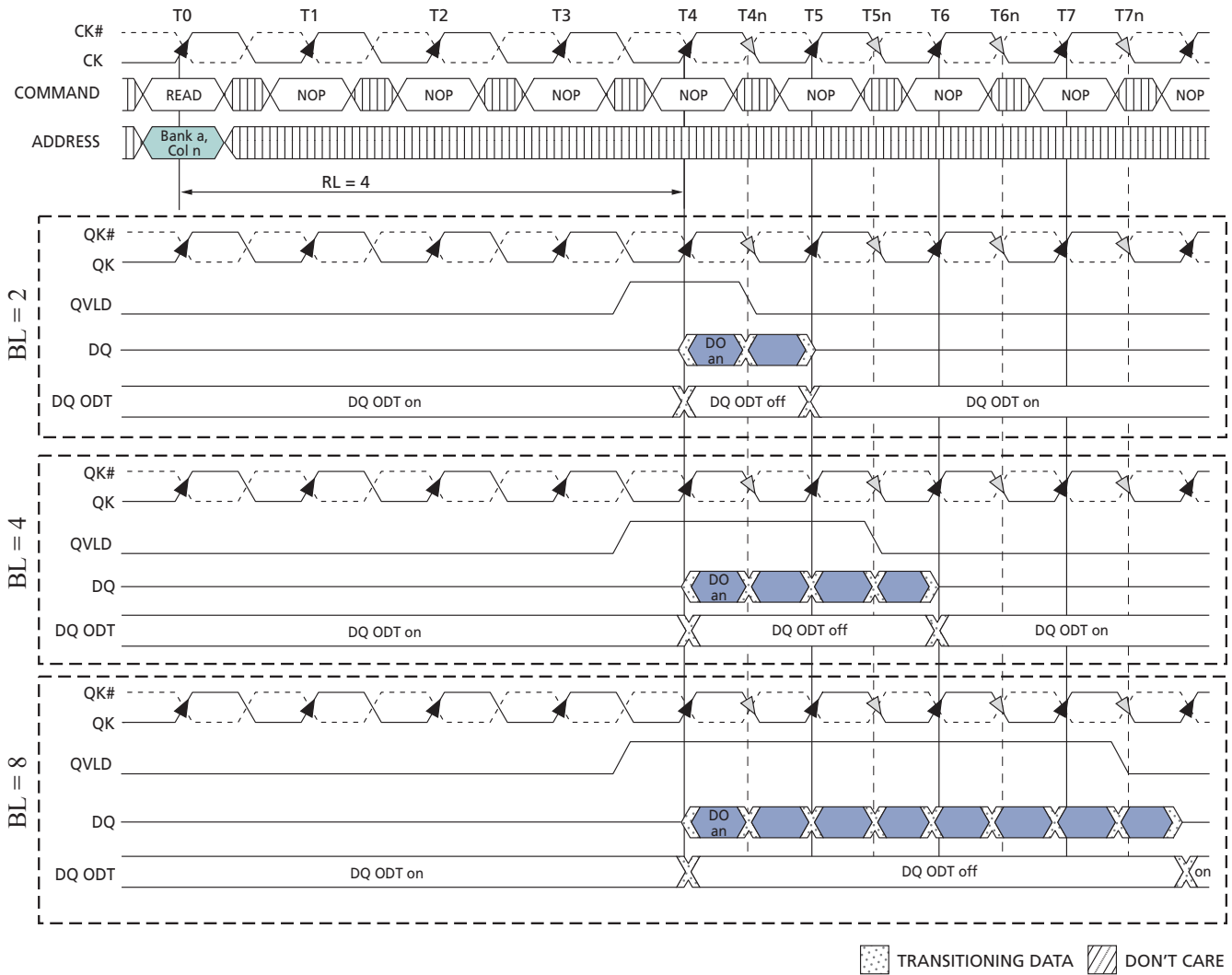
Figure 32: AUTO REFRESH Cycle



- Notes:
1.  $AREF_x$  = auto refresh command to bank x.
  2.  $AC_x$  = any command to bank x;  $AC_y$  = any command to bank y.
  3.  $BA_x$  = bank address to bank x;  $BA_y$  = bank address to bank y.

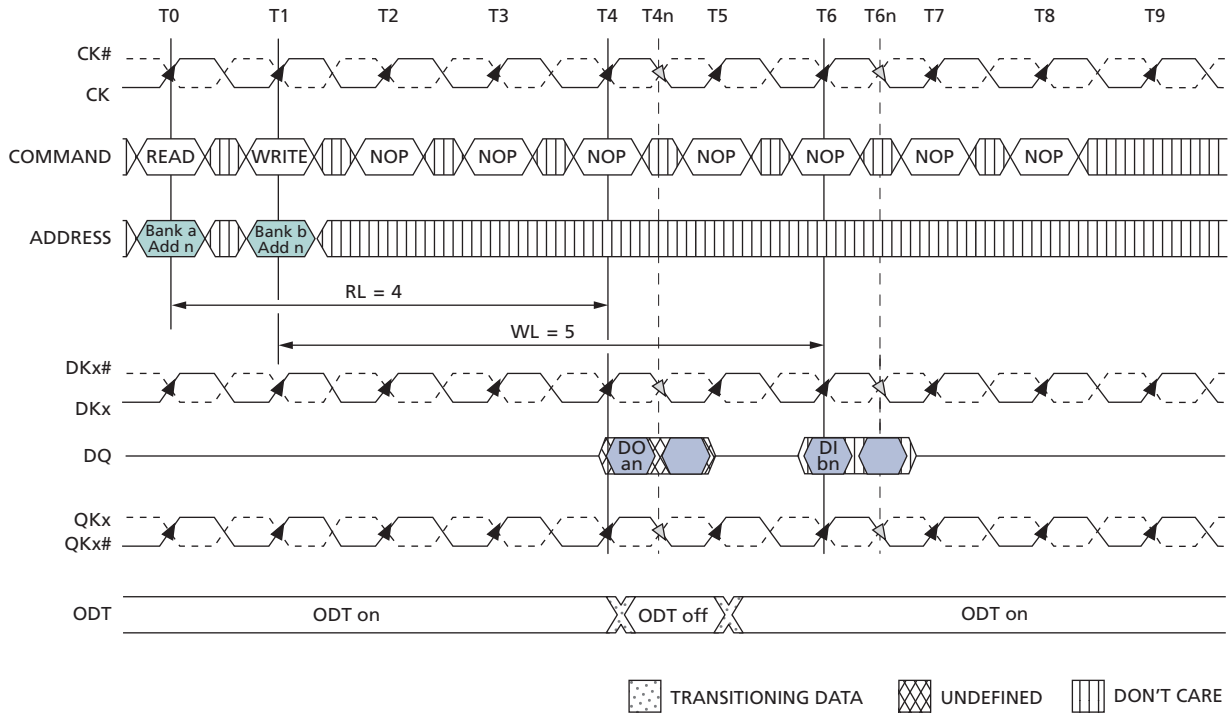
## On-Die Termination

Figure 33: READ Burst with ODT



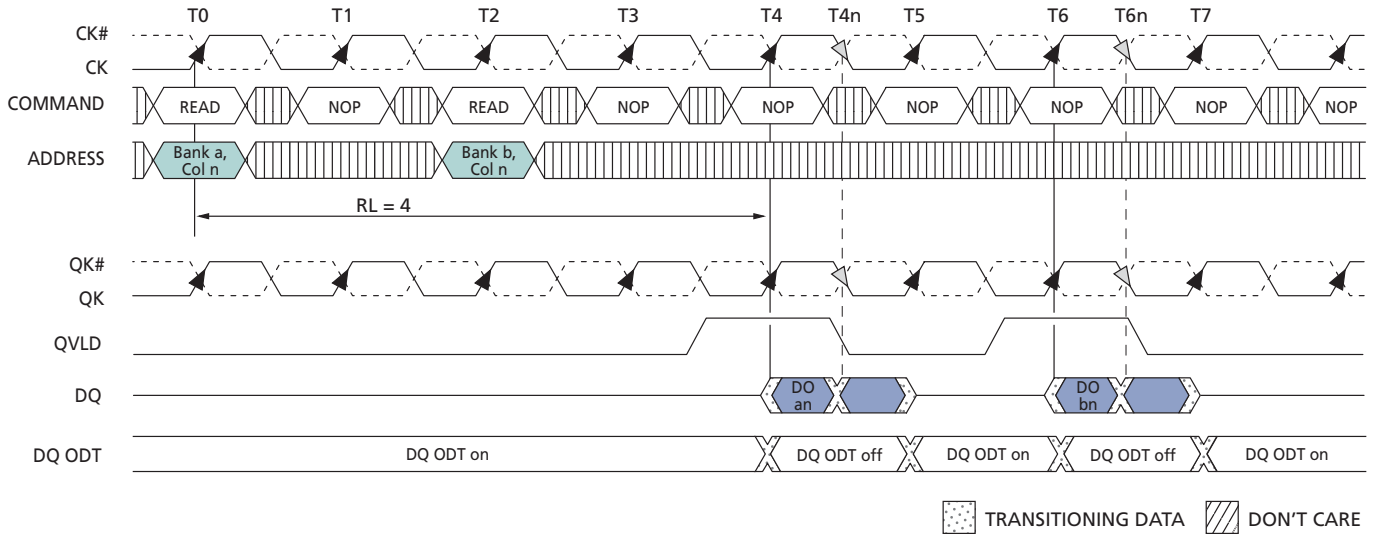
- Notes:
1. DO  $an$  = data out from bank  $a$  and address  $n$ .
  2. DO  $an$  is followed by the remaining bits of the burst.
  3. Nominal conditions are assumed for specifications not defined.

Figure 34: READ-NOP-READ with ODT



- Notes:
1. DO *an* (or *bn*) = data-out from bank *a* (or bank *b*) and address *n*.
  2. BL = 2.
  3. One subsequent element of the burst appear after DO *an* and DO *bn*.
  4. Nominal conditions are assumed for specifications not defined.

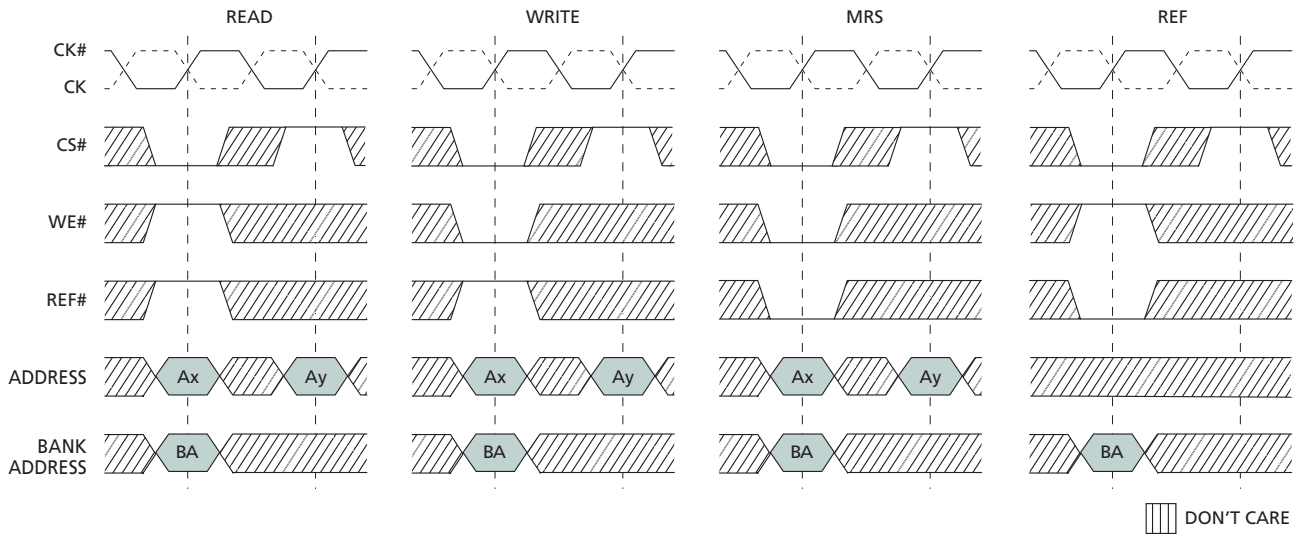
Figure 35: READ-to-WRITE with ODT



- Notes:
1. DO *an* = data-out from bank *a* and address *n*; DI *bn* = data-in for bank *b* and address *n*.
  2. BL = 2.
  3. One subsequent element of each burst appears after each DO *an* and DI *bn*.
  4. Nominal conditions are assumed for specifications not defined.

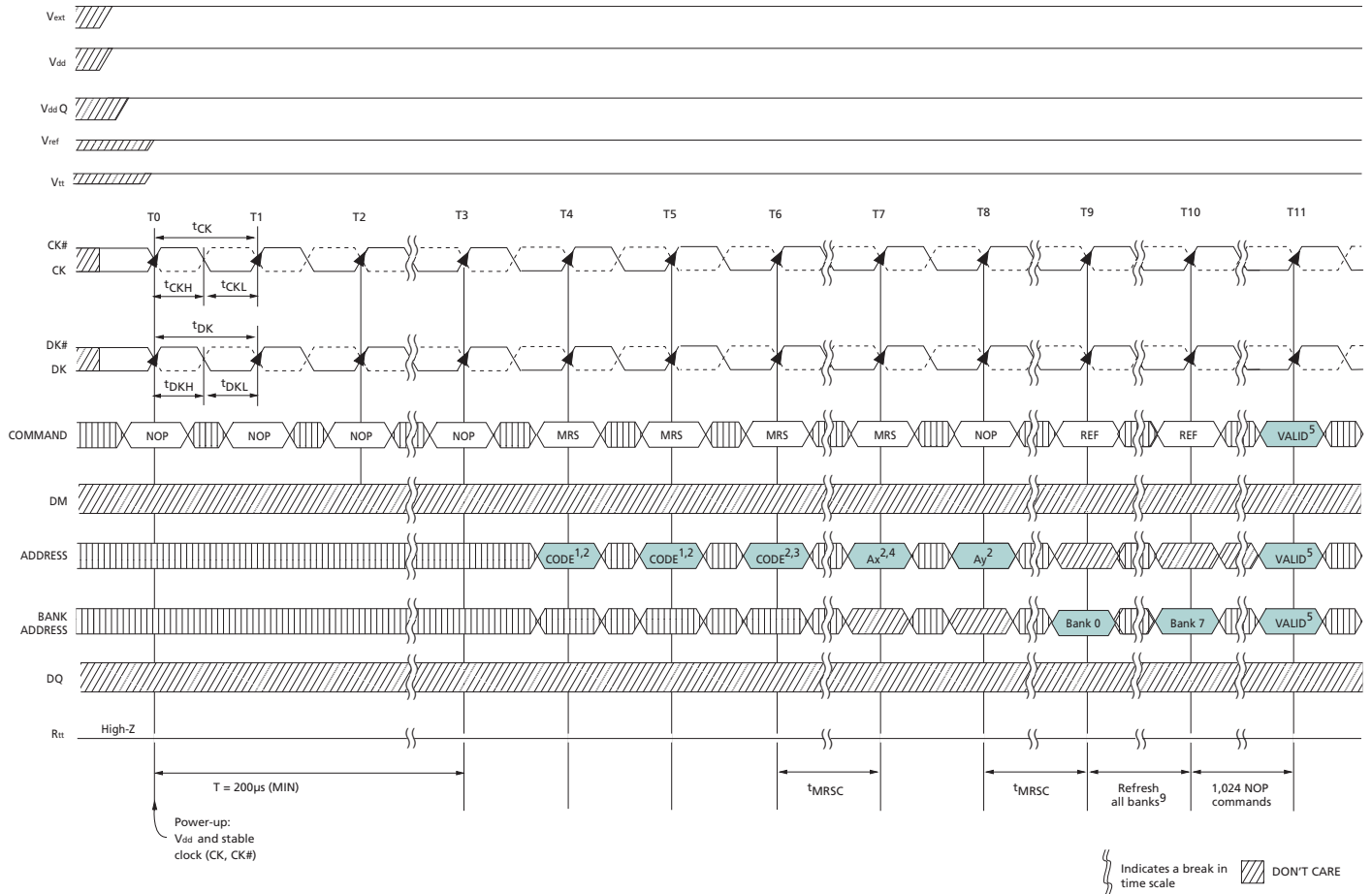
## Multiplexed Address Mode

Figure 36: Command Description in Multiplexed Address Mode



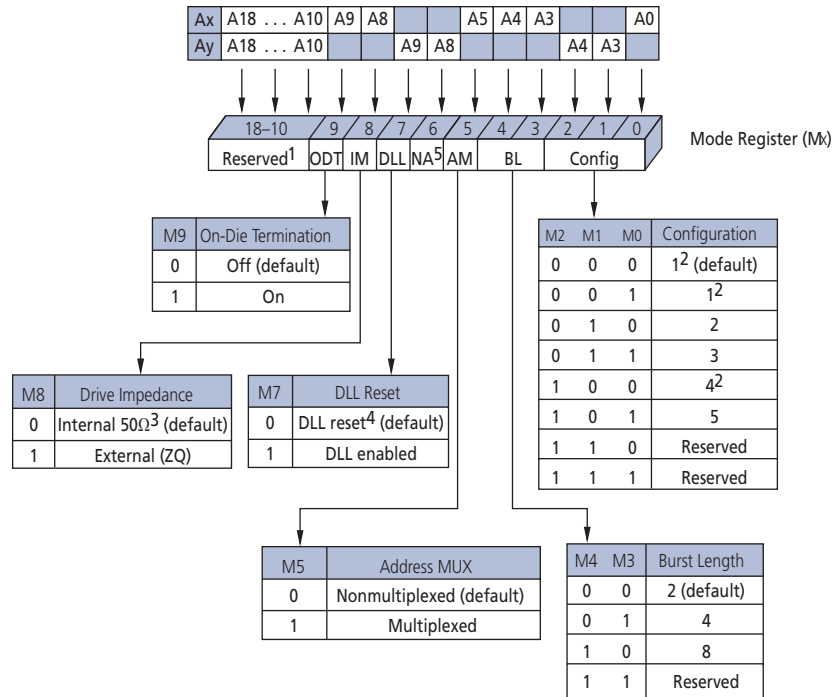
Note: 1. The minimum setup and hold times of the two address parts are defined  $t_{AS}$  and  $t_{AH}$ .

**Figure 37: Power-Up/Initialization Sequence in Multiplexed Address Mode**



- Notes:
1. Recommended that all address pins held low during dummy MRS commands.
  2. A10–A18 must be LOW.
  3. Set address A5 HIGH. This enables the part to enter multiplexed address mode when in non-multiplexed mode operation. Multiplexed address mode can also be entered at some later time by issuing an MRS command with A5 HIGH. Once address bit A5 is set HIGH,  $t_{MRSC}$  must be satisfied before the two-cycle multiplexed mode MRS command is issued.
  4. Address A5 must be set HIGH. This and the following step set the desired mode register once the device is in multiplexed address mode.
  5. Any command or address.
  6. The above sequence must be followed in order to power up the device in the multiplexed address mode.
  7. DLL must be reset if  $t_{CK}$  or  $V_{DD}$  are changed.
  8. CK and CK# must separated at all times to prevent bogus commands from being issued.
  9. The sequence of the eight AUTO REFRESH commands (with respect to the 1,024 NOP commands) does not matter. As is required for any operation,  $t_{RC}$  must be met between an AUTO REFRESH command and a subsequent VALID command to the same bank.

**Figure 38: Mode Register Definition in Multiplexed Address Mode**



- Notes:
1. Bits A10–A18 must be set to zero.
  2. BL = 8 is not available.
  3. ±30% temperature variation.
  4. DLL RESET turns the DLL off.
  5. Ay8 not used in MRS.
  6. BA0–BA2 are “Don’t Care.”
  7. Addresses A0, A3, A4, A5, A8, and A9 must be set as shown in order to activate the mode register in the multiplexed address mode.

## Address Mapping in Multiplexed Address Mode

**Table 24: 576Mb Address Mapping in Multiplexed Address Mode**

| Data Width | Burst Length | Ball | Address |    |    |     |    |    |     |     |     |     |     |
|------------|--------------|------|---------|----|----|-----|----|----|-----|-----|-----|-----|-----|
|            |              |      | A0      | A3 | A4 | A5  | A8 | A9 | A10 | A13 | A14 | A17 | A18 |
| x36        | 2            | Ax   | A0      | A3 | A4 | A5  | A8 | A9 | A10 | A13 | A14 | A17 | A18 |
|            |              | Ay   | X       | A1 | A2 | X   | A6 | A7 | A19 | A11 | A12 | A16 | A15 |
|            | 4            | Ax   | A0      | A3 | A4 | A5  | A8 | A9 | A10 | A13 | A14 | A17 | A18 |
|            |              | Ay   | X       | A1 | A2 | X   | A6 | A7 | X   | A11 | A12 | A16 | A15 |
|            | 8            | Ax   | A0      | A3 | A4 | A5  | A8 | A9 | A10 | A13 | A14 | A17 | X   |
|            |              | Ay   | X       | A1 | A2 | X   | A6 | A7 | X   | A11 | A12 | A16 | A15 |
| x18        | 2            | Ax   | A0      | A3 | A4 | A5  | A8 | A9 | A10 | A13 | A14 | A17 | A18 |
|            |              | Ay   | A20     | A1 | A2 | X   | A6 | A7 | A19 | A11 | A12 | A16 | A15 |
|            | 4            | Ax   | A0      | A3 | A4 | A5  | A8 | A9 | A10 | A13 | A14 | A17 | A18 |
|            |              | Ay   | X       | A1 | A2 | X   | A6 | A7 | A19 | A11 | A12 | A16 | A15 |
|            | 8            | Ax   | A0      | A3 | A4 | A5  | A8 | A9 | A10 | A13 | A14 | A17 | A18 |
|            |              | Ay   | X       | A1 | A2 | X   | A6 | A7 | X   | A11 | A12 | A16 | A15 |
| x9         | 2            | Ax   | A0      | A3 | A4 | A5  | A8 | A9 | A10 | A13 | A14 | A17 | A18 |
|            |              | Ay   | A20     | A1 | A2 | A21 | A6 | A7 | A19 | A11 | A12 | A16 | A15 |
|            | 4            | Ax   | A0      | A3 | A4 | A5  | A8 | A9 | A10 | A13 | A14 | A17 | A18 |
|            |              | Ay   | A20     | A1 | A2 | X   | A6 | A7 | A19 | A11 | A12 | A16 | A15 |
|            | 8            | Ax   | A0      | A3 | A4 | A5  | A8 | A9 | A10 | A13 | A14 | A17 | A18 |
|            |              | Ay   | X       | A1 | A2 | X   | A6 | A7 | A19 | A11 | A12 | A16 | A15 |

Note: 1. X = "Don't Care."

## Configuration Tables in Multiplexed Address Mode

In multiplexed address mode, read and write latencies increase by one clock cycle, but device cycle time remains the same as when in non-multiplexed address mode.

**Table 25: Cycle Time and READ/WRITE Latency Configuration Table in Multiplexed Mode**

Notes 1–2 apply to the entire table

| Parameter             | Configuration  |         |         |                   |         | Units           |
|-----------------------|----------------|---------|---------|-------------------|---------|-----------------|
|                       | 1 <sup>3</sup> | 2       | 3       | 4 <sup>3, 4</sup> | 5       |                 |
| t <sub>RC</sub>       | 4              | 6       | 8       | 3                 | 5       | t <sub>CK</sub> |
| t <sub>RL</sub>       | 5              | 7       | 9       | 4                 | 6       | t <sub>CK</sub> |
| t <sub>WL</sub>       | 6              | 8       | 10      | 5                 | 7       | t <sub>CK</sub> |
| Valid frequency range | 266–175        | 400–175 | 533–175 | 200–175           | 333–175 | MHz             |

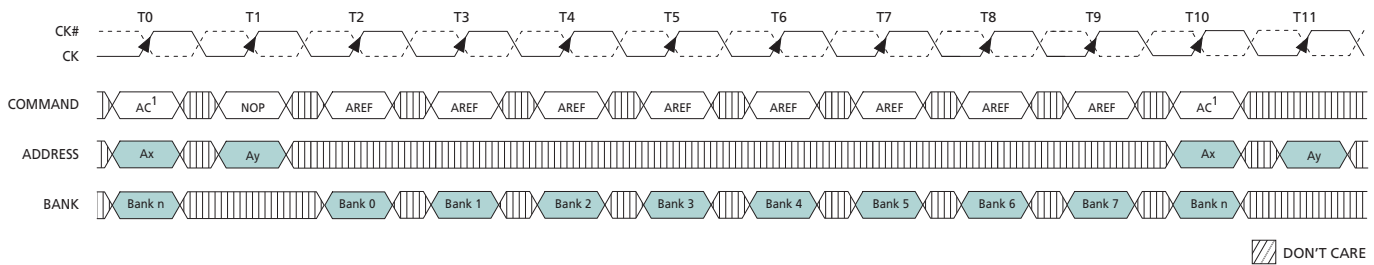
- Notes: 1. t<sub>RC</sub> <20ns in any configuration is only available with -25E and -18 speed grades.  
 2. Minimum operating frequency for -18 is 370 MHz.  
 3. BL = 8 is not available.

- Minimum  $t_{RC}$  is typically 3 cycles, except for a WRITE followed by a READ to the same bank; then, the minimum  $t_{RC}$  is 4 cycles.

### REFRESH Command in Multiplexed Address Mode

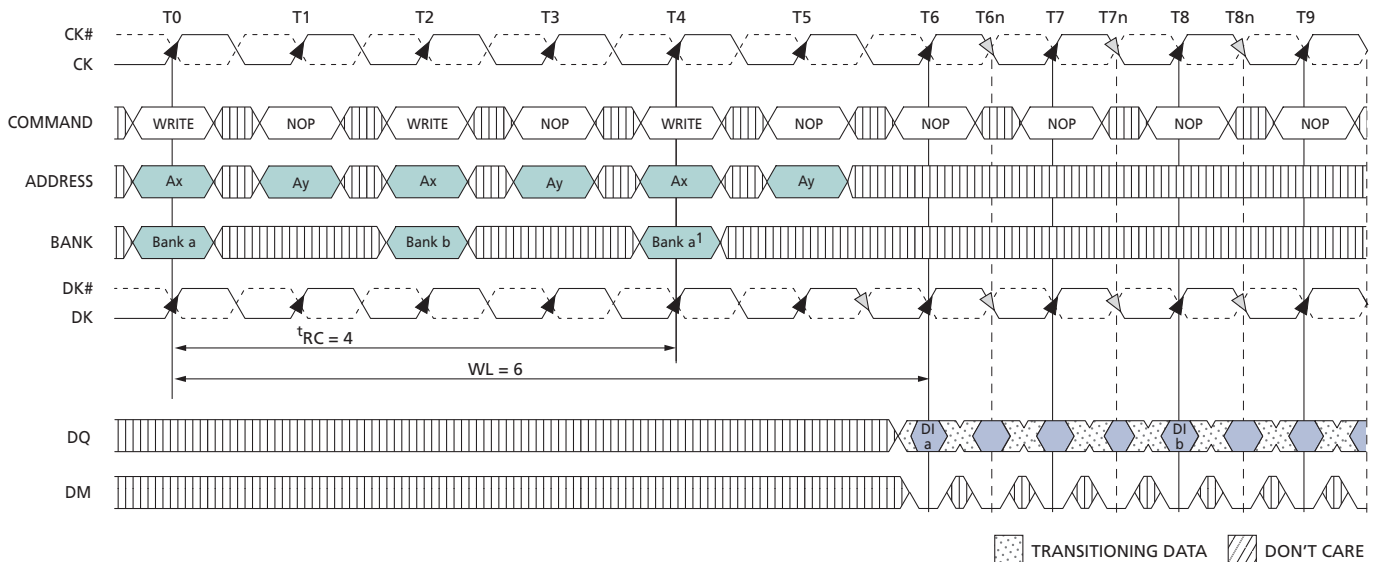
Similar to other commands when in multiplexed address mode, AREF is executed on the rising clock edge following the one on which the command is issued. However, since only the bank address is required for AREF, the next command can be applied on the following clock. The operation of the AREF command and any other command is represented in the following figure.

**Figure 39: Burst REFRESH Operation with Multiplexed Addressing**



- Notes:
- Any command.
  - Bank  $n$  is chosen so that  $t_{RC}$  is met.

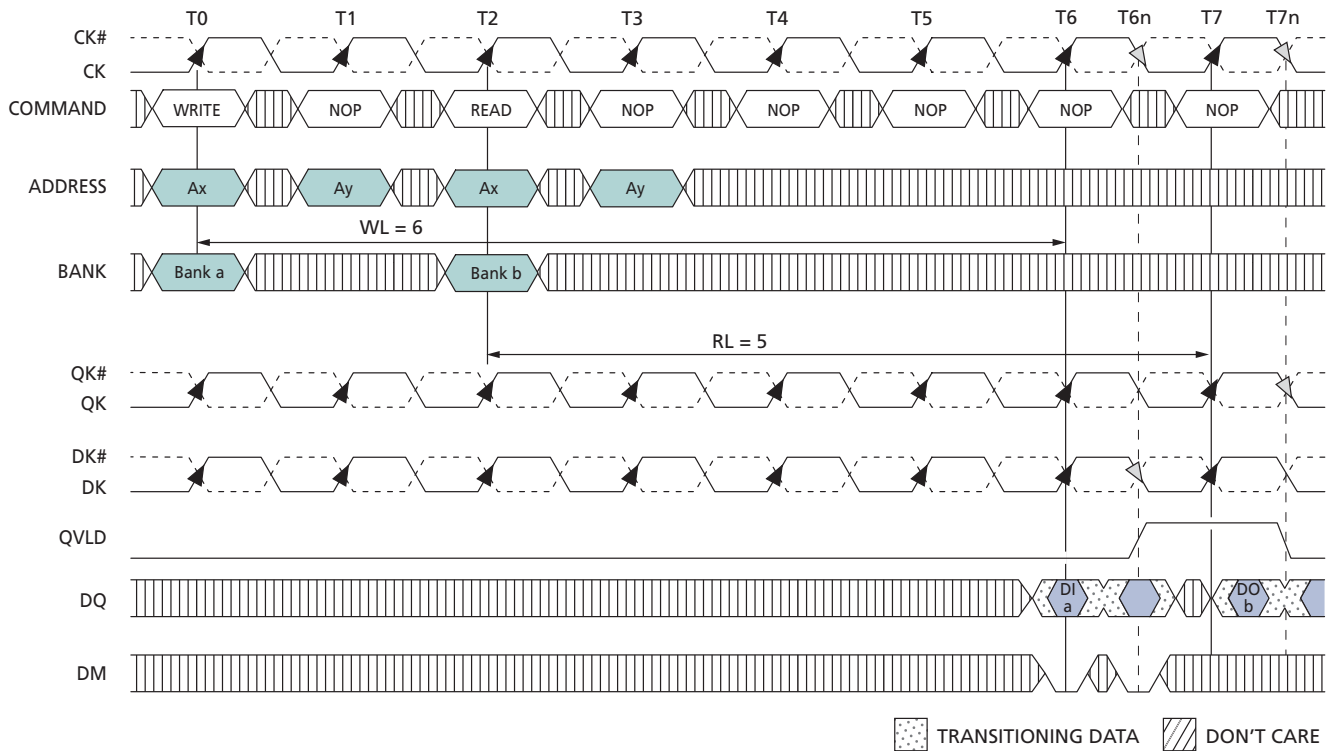
**Figure 40: Consecutive WRITE Bursts with Multiplexed Addressing**



- Notes:
- Data from the second WRITE command to bank  $a$  will appear on subsequent clock cycles that are not shown.
  - $DI_a$  = data-in for bank  $a$ ;  $DI_b$  = data-in for bank  $b$ .
  - Three subsequent elements of the burst are applied following  $DI$  for each bank.

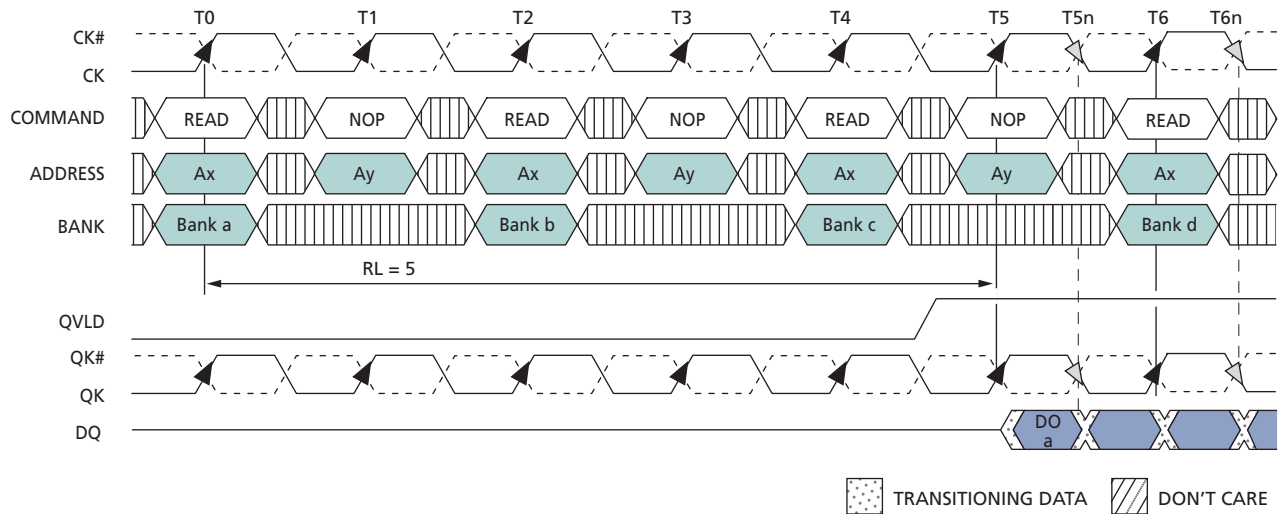
4. Each WRITE command may be to any bank; if the second WRITE is to the same bank,  $t^*RC$  must be met.

**Figure 41: WRITE-to-READ with Multiplexed Addressing**



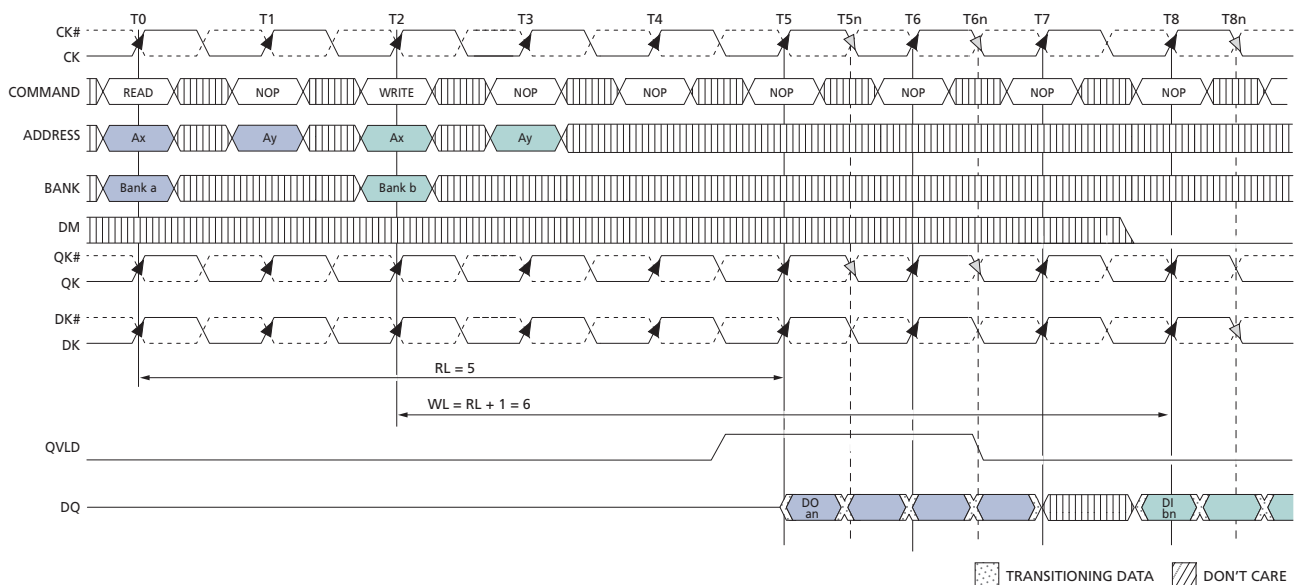
- Notes:
1. DI *a* = data-in for bank *a*.
  2. DO *b* = data-out from bank *b*.
  3. One subsequent element of each burst follows DI *a* and DO *b*.
  4. BL = 2.
  5. Nominal conditions are assumed for specifications not defined.
  6. Bank address can be to any bank, but the subsequent READ can only be to the same bank if  $t^*RC$  has been met.

**Figure 42: Consecutive READ Bursts with Multiplexed Addressing**



- Notes:
1. DO a = data-out from bank a.
  2. Nominal conditions are assumed for specifications not defined.
  3. BL = 4.
  4. Three subsequent elements of the burst appear following DO a.
  5. Example applies only when READ commands are issued to same device.
  6. Bank address can be to any bank, but the subsequent READ can only be to the same bank if  $t_{RC}$  has been met.
  7. Data from the READ commands to banks b through bank d will appear on subsequent clock cycles that are not shown.

**Figure 43: READ-to-WRITE with Multiplexed Addressing**



- Notes:
1. DO  $an$  = data-out from bank  $a$ .
  2. DI  $bn$  = data-in for bank  $b$ .
  3. Nominal conditions are assumed for specifications not defined.
  4. BL = 4.
  5. Three subsequent elements of the burst are applied following DO  $an$ .
  6. Three subsequent elements of the burst which appear following DI  $bn$  are not all shown.
  7. Bank address can be to any bank, but the WRITE command can only be to the same bank if  $t^{\text{RC}}$  has been met.

## IEEE 1149.1 Serial Boundary Scan (JTAG)

The device incorporates a serial boundary-scan test access port (TAP) for the purpose of testing the connectivity of the device once it has been mounted on a printed circuit board (PCB). As the complexity of PCB high-density surface mounting techniques increases, the boundary-scan architecture is a valuable resource for interconnectivity debug. This port operates in accordance with IEEE Standard 1149.1-2001 (JTAG) with the exception of the ZQ pin. To ensure proper boundary-scan testing of the ZQ pin, MRS bit M8 needs to be set to 0 until the JTAG testing of the pin is complete.

**Note:** Upon power up, the default state of MRS bit M8 is LOW.

If the device boundary scan register is to be used upon power up and prior to the initialization of the device, it is imperative that the CK and CK# pins meet  $V_{ID(DC)}$  or CS# be held HIGH from power up until testing. Not doing so could result in inadvertent MRS commands being loaded, and subsequently causing unexpected results from address pins that depend on the state of the mode register. If these measures cannot be taken, the part must be initialized prior to boundary scan testing. If a full initialization is not practical or feasible prior to boundary scan testing, a single MRS command with desired settings may be issued instead. After the single MRS command is issued, the MRSC parameter must be satisfied prior to boundary scan testing.

The input signals of the test access port (TDI, TMS, and TCK) use  $V_{DD}$  as a supply, while the output signal of the TAP (TDO) uses  $V_{DDQ}$ .

The JTAG test access port uses the TAP controller on the device, from which the instruction register, boundary scan register, bypass register, and ID register can be selected. Each of these TAP controller functions is described here.

### Disabling the JTAG Feature

It is possible to operate RLD RAM without using the JTAG feature. To disable the TAP controller, TCK must be tied LOW ( $V_{SS}$ ) to prevent clocking of the device. TDI and TMS are internally pulled up and may be unconnected. They may alternately be connected to  $V_{DD}$  through a pull-up resistor. TDO should be left unconnected. Upon power-up, the device will come up in a reset state, which will not interfere with the operation of the device.

### Test Access Port (TAP)

#### Test Clock (TCK)

The test clock is used only with the TAP controller. All inputs are captured on the rising edge of TCK. All outputs are driven from the falling edge of TCK.

#### Test Mode Select (TMS)

The TMS input is used to give commands to the TAP controller and is sampled on the rising edge of TCK.

All of the states in the TAP Controller State Diagram figure are entered through the serial input of the TMS pin. A 0 in the diagram represents a LOW on the TMS pin during the rising edge of TCK while a 1 represents a HIGH on TMS.

## Test Data-In (TDI)

The TDI ball is used to serially input test instructions and data into the registers and can be connected to the input of any of the registers. The register between TDI and TDO is chosen by the instruction that is loaded into the TAP instruction register. For information on loading the instruction register, see the TAP Controller State Diagram. TDI is connected to the most significant bit (MSB) of any register (see the TAP Controller Block Diagram).

## Test Data-Out (TDO)

The TDO output ball is used to serially clock test instructions and data out from the registers. The TDO output driver is only active during the Shift-IR and Shift-DR TAP controller states. In all other states, the TDO pin is in a High-Z state. The output changes on the falling edge of TCK. TDO is connected to the least significant bit (LSB) of any register (see the TAP Controller Block Diagram).

## TAP Controller

The TAP controller is a finite state machine that uses the state of the TMS pin at the rising edge of TCK to navigate through its various modes of operation. See the TAP Controller State Diagram.

## Test-Logic-Reset

The test-logic-reset controller state is entered when TMS is held HIGH for at least five consecutive rising edges of TCK. As long as TMS remains HIGH, the TAP controller will remain in the test-logic-reset state. The test logic is inactive during this state.

## Run-Test/Idle

The run-test/idle is a controller state in-between scan operations. This state can be maintained by holding TMS LOW. From here, either the data register scan, or subsequently, the instruction register scan, can be selected.

## Select-DR-Scan

Select-DR-scan is a temporary controller state. All test data registers retain their previous state while here.

## Capture-DR

The capture-DR state is where the data is parallel-loaded into the test data registers. If the boundary scan register is the currently selected register, then the data currently on the pins is latched into the test data registers.

## Shift-DR

Data is shifted serially through the data register while in this state. As new data is input through the TDI pin, data is shifted out of the TDO pin.

### Exit1-DR, Pause-DR, and Exit2-DR

The purpose of exit1-DR is to provide a path to return back to the run-test/idle state (through the update-DR state). The pause-DR state is entered when the shifting of data through the test registers needs to be suspended. When shifting is to reconvene, the controller enters the exit2-DR state and then can re-enter the shift-DR state.

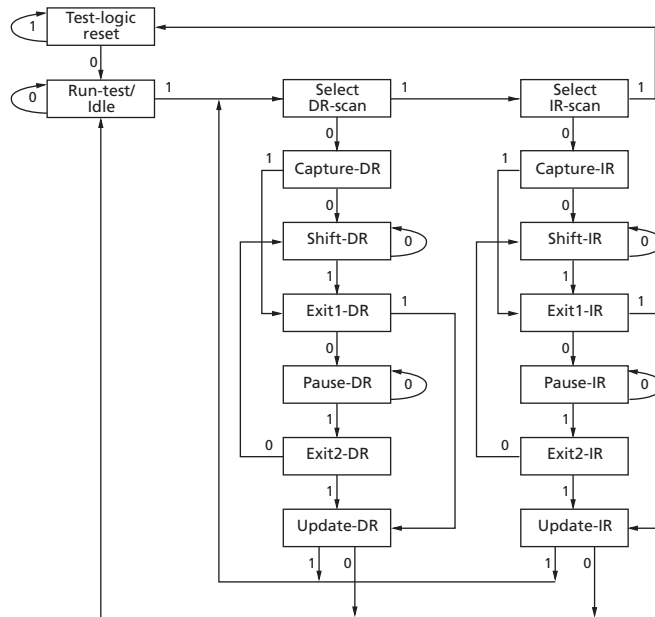
### Update-DR

When the EXTEST instruction is selected, there are latched parallel outputs of the boundary-scan shift register that only change state during the update-DR controller state.

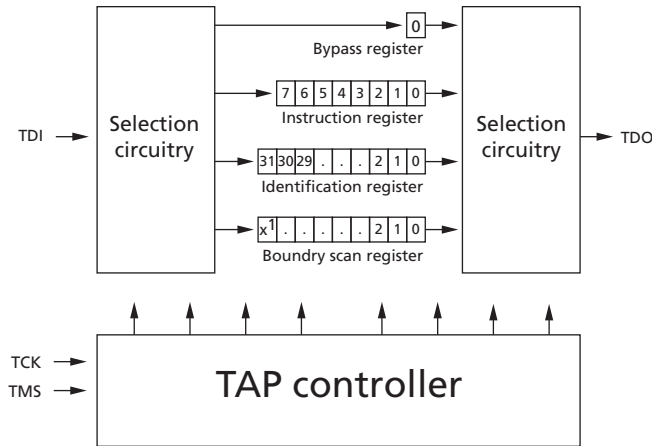
### Instruction Register States

The instruction register states of the TAP controller are similar to the data register states. The desired instruction is serially shifted into the instruction register during the shift-IR state and is loaded during the update-IR state.

Figure 44: TAP Controller State Diagram



**Figure 45: TAP Controller Block Diagram**



Note: 1. x = 112 for all configurations.

## Performing a TAP RESET

A TAP reset is performed by forcing TMS HIGH ( $V_{DDQ}$ ) for five rising edges of TCK. This RESET does not affect the operation of the device and may be performed during device operation. At power-up, the TAP is reset internally to ensure that TDO comes up in a High-Z state.

## TAP Registers

Registers are connected between the TDI and TDO balls and allow data to be scanned into and out of the device test circuitry. Only one register can be selected at a time through the instruction register. Data is loaded serially into the TDI ball on the rising edge of TCK. Data is output on the TDO ball on the falling edge of TCK.

### Instruction Register

Eight-bit instructions can be loaded serially into the instruction register. This register is loaded during the update-IR state of the TAP controller. Upon power-up, the instruction register is loaded with the IDCODE instruction. It is also loaded with the IDCODE instruction if the controller is placed in a reset state as described in Performing a TAP Reset.

When the TAP controller is in the capture-IR state, the two least significant bits are loaded with a binary 01 pattern to allow for fault isolation of the board-level serial test data path.

### Bypass Register

To save time when serially shifting data through registers, it is sometimes advantageous to skip certain chips. The bypass register is a single-bit register that can be placed between the TDI and TDO balls. This allows data to be shifted through the device with

minimal delay. The bypass register is set LOW ( $V_{SS}$ ) when the BYPASS instruction is executed.

## Boundary Scan Register

The boundary scan register is connected to all the input and bidirectional balls on the device. Several balls are also included in the scan register to reserved balls. The RLDRAM has a 113-bit register.

The boundary scan register is loaded with the contents of the RAM I/O ring when the TAP controller is in the capture-DR state and is then placed between the TDI and TDO balls when the controller is moved to the shift-DR state.

The Boundary Scan (Exit) Order table shows the order in which the bits are connected. Each bit corresponds to one of the balls on the device package. The most significant bit of the register is connected to TDI, and the least significant bit is connected to TDO.

## Identification (ID) Register

The ID register is loaded with a vendor-specific, 32-bit code during the capture-DR state when the IDCODE command is loaded in the instruction register. The IDCODE is hardwired into the device and can be shifted out when the TAP controller is in the shift-DR state. The ID register has a vendor code and other information described in the Identification Register Definitions table.

## TAP Instruction Set

Many different instructions ( $2^8$ ) are possible with the 8-bit instruction register. All combinations currently implemented are listed in the table here, followed by detailed descriptions. Remaining possible instructions are reserved and should not be used.

The TAP controller used in this device is fully compliant to the 1149.1 convention.

Instructions are loaded into the TAP controller during the shift-IR state when the instruction register is placed between TDI and TDO. During this state, instructions are shifted through the instruction register through the TDI and TDO balls. To execute an instruction once it is shifted in, the TAP controller must be moved into the update-IR state.

**Table 26: Instruction Codes**

| Instruction    | Code      | Description  |
|----------------|-----------|--|
| Extest         | 0000 0000 | Captures I/O ring contents; Places the boundary scan register between TDI and TDO; This operation does not affect RLDRAM operations                        |
| ID code        | 0010 0001 | Loads the ID register with the vendor ID code and places the register between TDI and TDO; This operation does not affect RLDRAM operations                |
| Sample/preload | 0000 0101 | Captures I/O ring contents; Places the boundary scan register between TDI and TDO  |
| Clamp          | 0000 0111 | Selects the bypass register to be connected between TDI and TDO; Data driven by output balls are determined from values held in the boundary scan register |
| High-Z         | 0000 0011 | Selects the bypass register to be connected between TDI and TDO; All outputs are forced into High-Z  |

**Table 26: Instruction Codes (Continued)**

| Instruction | Code      | Description  |
|-------------|-----------|--|
| Bypass      | 1111 1111 | Places the bypass register between TDI and TDO; This operation does not affect RLDRAM operations |

## EXTEST

The EXTEST instruction allows circuitry external to the component package to be tested. Boundary-scan register cells at output balls are used to apply a test vector, while those at input balls capture test results. Typically, the first test vector to be applied using the EXTEST instruction will be shifted into the boundary scan register using the PRELOAD instruction. Thus, during the update-IR state of EXTEST, the output driver is turned on, and the PRELOAD data is driven onto the output balls.

## IDCODE

The IDCODE instruction causes a vendor-specific, 32-bit code to be loaded into the instruction register. It also places the instruction register between the TDI and TDO balls and allows the IDCODE to be shifted out of the device when the TAP controller enters the shift-DR state. The IDCODE instruction is loaded into the instruction register upon power-up or whenever the TAP controller is given a test logic reset state.

## High-Z

The High-Z instruction causes the boundary scan register to be connected between the TDI and TDO. This places all RLDRAM outputs into a High-Z state.

## CLAMP

When the CLAMP instruction is loaded into the instruction register, the data driven by the output balls are determined from the values held in the boundary scan register.

## SAMPLE/PRELOAD

When the SAMPLE/PRELOAD instruction is loaded into the instruction register and the TAP controller is in the capture-DR state, a snapshot of data on the inputs and bidirectional balls is captured in the boundary scan register.

The user must be aware that the TAP controller clock can only operate at a frequency up to 50 MHz, while the RLDRAM clock operates significantly faster. Because there is a large difference between the clock frequencies, it is possible that during the capture-DR state, an input or output will undergo a transition. The TAP may then try to capture a signal while in transition (metastable state). This will not harm the device, but there is no guarantee as to the value that will be captured. Repeatable results may not be possible.

To ensure that the boundary scan register will capture the correct value of a signal, the RLDRAM signal must be stabilized long enough to meet the TAP controller's capture setup plus hold time ( $t_{CS}$  plus  $t_{CH}$ ). The RLDRAM clock input might not be captured correctly if there is no way in a design to stop (or slow) the clock during a SAMPLE/PRELOAD instruction. If this is an issue, it is still possible to capture all other signals and simply ignore the value of the CK and CK# captured in the boundary scan register.

Once the data is captured, it is possible to shift out the data by putting the TAP into the shift-DR state. This places the boundary scan register between the TDI and TDO balls.

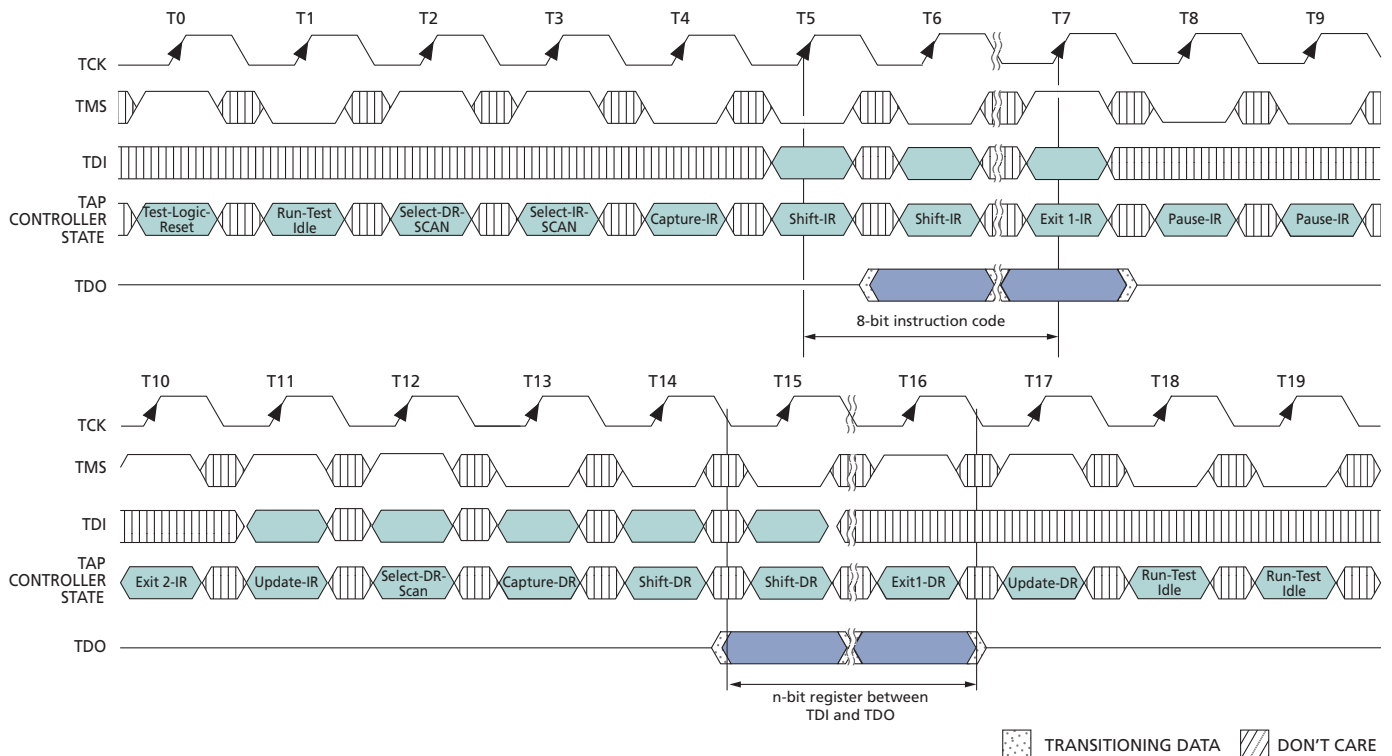
## BYPASS

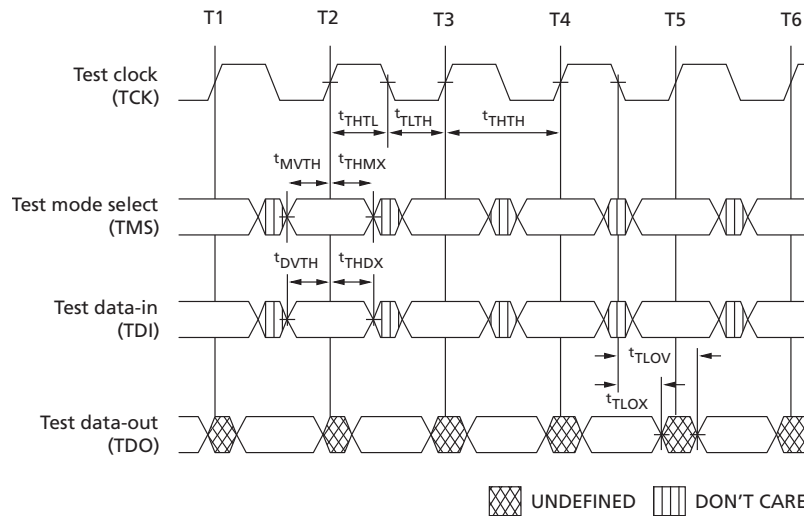
When the BYPASS instruction is loaded in the instruction register and the TAP is placed in a shift-DR state, the bypass register is placed between TDI and TDO. The advantage of the BYPASS instruction is that it shortens the boundary scan path when multiple devices are connected together on a board.

## Reserved for Future Use

The remaining instructions are not implemented but are reserved for future use. Do not use these instructions.

**Figure 46: JTAG Operation – Loading Instruction Code and Shifting Out Data**



**Figure 47: TAP Timing**

**Table 27: TAP Input AC Logic Levels**
 $+0^{\circ}\text{C} \leq T_C \leq +95^{\circ}\text{C}; +1.7\text{V} \leq V_{DD} \leq +1.9\text{V}$ , unless otherwise noted

| Description                  | Symbol   | Min             | Max             | Units |
|------------------------------|----------|-----------------|-----------------|-------|
| Input high (logic 1) voltage | $V_{IH}$ | $V_{REF} + 0.3$ | –               | V     |
| Input low (logic 0) voltage  | $V_{IL}$ | –               | $V_{REF} - 0.3$ | V     |

**Table 28: TAP AC Electrical Characteristics**

| Description             | Symbol     | Min | Max | Units |
|-------------------------|------------|-----|-----|-------|
| <b>Clock</b>            |            |     |     |       |
| Clock cycle time        | $t_{THTH}$ | 20  |     | ns    |
| Clock frequency         | $f_{TF}$   |     | 50  | MHz   |
| Clock HIGH time         | $t_{THTL}$ | 10  |     | ns    |
| Clock LOW time          | $t_{TLTH}$ | 10  |     | ns    |
| <b>TDI/TDO times</b>    |            |     |     |       |
| TCK LOW to TDO unknown  | $t_{TLOX}$ | 0   |     | ns    |
| TCK LOW to TDO valid    | $t_{TLOV}$ |     | 10  | ns    |
| TDI valid to TCK HIGH   | $t_{DVTH}$ | 5   |     | ns    |
| TCK HIGH to TDI invalid | $t_{THDX}$ | 5   |     | ns    |
| <b>Setup times</b>      |            |     |     |       |
| TMS setup               | $t_{MVTH}$ | 5   |     | ns    |
| Capture setup           | $t_{CS}$   | 5   |     | ns    |
| <b>Hold times</b>       |            |     |     |       |
| TMS hold                | $t_{THMX}$ | 5   |     | ns    |

**Table 28: TAP AC Electrical Characteristics (Continued)**

| Description  | Symbol   | Min | Max | Units |
|--------------|----------|-----|-----|-------|
| Capture hold | $t_{CH}$ | 5   |     | ns    |

- Notes: 1. All voltages referenced to  $V_{SS}$  (GND).  
 $+0^{\circ}\text{C} \leq T_C \leq +95^{\circ}\text{C}$ ;  $+1.7\text{V} \leq V_{DD} \leq +1.9\text{V}$   
 2.  $t_{CS}$  and  $t_{CH}$  refer to the setup and hold time requirements of latching data from the boundary scan register.

**Table 29: TAP DC Electrical Characteristics and Operating Conditions**
 $+0^{\circ}\text{C} \leq T_C \leq +95^{\circ}\text{C}$ ;  $+1.7\text{V} \leq V_{DD} \leq +1.9\text{V}$ , unless otherwise noted

| Description                  | Condition   | Symbol    | Min              | Max              | Units         | Notes |
|------------------------------|---|-----------|------------------|------------------|---------------|-------|
| Input high (logic 1) voltage |   | $V_{IH}$  | $V_{REF} + 0.15$ | $V_{DD} + 0.3$   | V             | 1, 2  |
| Input low (logic 0) voltage  |   | $V_{IL}$  | $V_{SSQ} - 0.3$  | $V_{REF} - 0.15$ | V             | 1, 2  |
| Input leakage current        | $0\text{V} \leq V_{IN} \leq V_{DD}$                   | $I_{LI}$  | -5.0             | 5.0              | $\mu\text{A}$ |       |
| Output leakage current       | Output disabled, $0\text{V} \leq V_{IN} \leq V_{DDQ}$ | $I_{LO}$  | -5.0             | 5.0              | $\mu\text{A}$ |       |
| Output low voltage           | $I_{OLc} = 100\mu\text{A}$                            | $V_{OL1}$ |                  | 0.2              | V             | 1     |
| Output low voltage           | $I_{OLt} = 2\text{mA}$                                | $V_{OL2}$ |                  | 0.4              | V             | 1     |
| Output high voltage          | $ I_{OHc}  = 100\mu\text{A}$                          | $V_{OH1}$ | $V_{DDQ} - 0.2$  |                  | V             | 1     |
| Output high voltage          | $ I_{OHt}  = 2\text{mA}$                              | $V_{OH2}$ | $V_{DDQ} - 0.4$  |                  | V             | 1     |

- Notes: 1. All voltages referenced to  $V_{SS}$  (GND).  
 2. Overshoot =  $V_{IH(AC)} \leq V_{DD} + 0.7\text{V}$  for  $t \leq t_{CK}/2$ ; undershoot =  $V_{IL(AC)} \geq -0.5\text{V}$  for  $t \leq t_{CK}/2$ ; during normal operation,  $V_{DDQ}$  must not exceed  $V_{DD}$ .

**Table 30: Identification Register Definitions**

| Instruction Field                  | All Devices      | Description   |
|------------------------------------|------------------|---|
| Revision number (31:28)            | abcd             | ab = 00 for Die Rev. A, 01 for Die Rev. B<br>cd = 00 for x9, 01 for x18, 10 for x36                                     |
| Device ID (27:12)                  | 00jkidef10100111 | def = 000 for 288Mb, 001 for 576Mb<br>i = 0 for common I/O, 1 for separate I/O<br>jk = 01 for RLD RAM 2, 00 for RLD RAM |
| Micron JEDEC ID code (11:1)        | 00000101100      | Allows unique identification of RLD RAM vendor  |
| ID register presence indicator (0) | 1                | Indicates the presence of an ID register  |

**Table 31: Scan Register Sizes**

| Register Name | Bit Size |
|---------------|----------|
| Instruction   | 8        |



**Table 31: Scan Register Sizes (Continued)**

| Register Name | Bit Size |
|---------------|----------|
| Bypass        | 1        |
| ID            | 32       |
| Boundary scan | 113      |

**Table 32: Boundary Scan (Exit) Order**

| Bit# | Ball | Bit# | Ball | Bit# | Ball |
|------|------|------|------|------|------|
| 1    | K1   | 39   | R11  | 77   | C11  |
| 2    | K2   | 40   | R11  | 78   | C11  |
| 3    | L2   | 41   | P11  | 79   | C10  |
| 4    | L1   | 42   | P11  | 80   | C10  |
| 5    | M1   | 43   | P10  | 81   | B11  |
| 6    | M3   | 44   | P10  | 82   | B11  |
| 7    | M2   | 45   | N11  | 83   | B10  |
| 8    | N1   | 46   | N11  | 84   | B10  |
| 9    | P1   | 47   | N10  | 85   | B3   |
| 10   | N3   | 48   | N10  | 86   | B3   |
| 11   | N3   | 49   | P12  | 87   | B2   |
| 12   | N2   | 50   | N12  | 88   | B2   |
| 13   | N2   | 51   | M11  | 89   | C3   |
| 14   | P3   | 52   | M10  | 90   | C3   |
| 15   | P3   | 53   | M12  | 91   | C2   |
| 16   | P2   | 54   | L12  | 92   | C2   |
| 17   | P2   | 55   | L11  | 93   | D3   |
| 18   | R2   | 56   | K11  | 94   | D3   |
| 19   | R3   | 57   | K12  | 95   | D2   |
| 20   | T2   | 58   | J12  | 96   | D2   |
| 21   | T2   | 59   | J11  | 97   | E2   |
| 22   | T3   | 60   | H11  | 98   | E2   |
| 23   | T3   | 61   | H12  | 99   | E3   |
| 24   | U2   | 62   | G12  | 100  | E3   |
| 25   | U2   | 63   | G10  | 101  | F2   |
| 26   | U3   | 64   | G11  | 102  | F2   |
| 27   | U3   | 65   | E12  | 103  | F3   |
| 28   | V2   | 66   | F12  | 104  | F3   |
| 29   | U10  | 67   | F10  | 105  | E1   |
| 30   | U10  | 68   | F10  | 106  | F1   |
| 31   | U11  | 69   | F11  | 107  | G2   |



**Table 32: Boundary Scan (Exit) Order (Continued)**

| Bit# | Ball | Bit# | Ball | Bit# | Ball |
|------|------|------|------|------|------|
| 32   | U11  | 70   | F11  | 108  | G3   |
| 33   | T10  | 71   | E10  | 109  | G1   |
| 34   | T10  | 72   | E10  | 110  | H1   |
| 35   | T11  | 73   | E11  | 111  | H2   |
| 36   | T11  | 74   | E11  | 112  | J2   |
| 37   | R10  | 75   | D11  | 113  | J1   |
| 38   | R10  | 76   | D10  | -    | -    |

Note: 1. Any unused balls in the order will read as a logic "0."

8000 S. Federal Way, P.O. Box 6, Boise, ID 83707-0006, Tel: 208-368-4000  
www.micron.com/products/support Sales inquiries: 800-932-4992  
Micron and the Micron logo are trademarks of Micron Technology, Inc.  
All other trademarks are the property of their respective owners.

This data sheet contains minimum and maximum limits specified over the power supply and temperature range set forth herein. Although considered final, these specifications are subject to change, as further product development and data characterization sometimes occur.

## Looking for pricing, stock, or lifecycle information?

Click below to explore more details on WIN SOURCE:

- ⊖ [View MT49H16M36BM-33:B TR on WIN SOURCE](#)
- ⊖ [Micron Technology Inc. Information](#)

## Optimize Your Supply Chain with WIN SOURCE Solutions

- ✓ Global Sourcing Solution
- ✓ Obsolete Management
- ✓ Cost Control Management
- ✓ Shortage Management
- ✓ Alternative Solution
- ✓ Excess Inventory Management