

PCI2050, PCI2050I
PCI-to-PCI Bridge

Data Manual

IMPORTANT NOTICE

Texas Instruments Incorporated and its subsidiaries (TI) reserve the right to make corrections, modifications, enhancements, improvements, and other changes to its products and services at any time and to discontinue any product or service without notice. Customers should obtain the latest relevant information before placing orders and should verify that such information is current and complete. All products are sold subject to TI's terms and conditions of sale supplied at the time of order acknowledgment.

TI warrants performance of its hardware products to the specifications applicable at the time of sale in accordance with TI's standard warranty. Testing and other quality control techniques are used to the extent TI deems necessary to support this warranty. Except where mandated by government requirements, testing of all parameters of each product is not necessarily performed.

TI assumes no liability for applications assistance or customer product design. Customers are responsible for their products and applications using TI components. To minimize the risks associated with customer products and applications, customers should provide adequate design and operating safeguards.

TI does not warrant or represent that any license, either express or implied, is granted under any TI patent right, copyright, mask work right, or other TI intellectual property right relating to any combination, machine, or process in which TI products or services are used. Information published by TI regarding third-party products or services does not constitute a license from TI to use such products or services or a warranty or endorsement thereof. Use of such information may require a license from a third party under the patents or other intellectual property of the third party, or a license from TI under the patents or other intellectual property of TI.

Reproduction of information in TI data books or data sheets is permissible only if reproduction is without alteration and is accompanied by all associated warranties, conditions, limitations, and notices. Reproduction of this information with alteration is an unfair and deceptive business practice. TI is not responsible or liable for such altered documentation.

Resale of TI products or services with statements different from or beyond the parameters stated by TI for that product or service voids all express and any implied warranties for the associated TI product or service and is an unfair and deceptive business practice. TI is not responsible or liable for any such statements.

Mailing Address:

Texas Instruments
Post Office Box 655303
Dallas, Texas 75265

Contents

<i>Section</i>	<i>Title</i>	<i>Page</i>
1	Introduction	1-1
1.1	Description	1-1
1.2	Features	1-1
1.3	Related Documents	1-2
1.4	Trademarks	1-2
1.5	Ordering Information	1-2
2	Terminal Descriptions	2-1
3	Feature/Protocol Descriptions	3-1
3.1	Introduction to the PCI2050	3-1
3.2	PCI Commands	3-2
3.3	Configuration Cycles	3-2
3.4	Special Cycle Generation	3-4
3.5	Secondary Clocks	3-4
3.6	Bus Arbitration	3-5
3.6.1	Primary Bus Arbitration	3-5
3.6.2	Internal Secondary Bus Arbitration	3-5
3.6.3	External Secondary Bus Arbitration	3-6
3.7	Decode Options	3-6
3.8	System Error Handling	3-6
3.8.1	Posted Write Parity Error	3-6
3.8.2	Posted Write Time-Out	3-6
3.8.3	Target Abort on Posted Writes	3-6
3.8.4	Master Abort on Posted Writes	3-7
3.8.5	Master Delayed Write Time-Out	3-7
3.8.6	Master Delayed Read Time-Out	3-7
3.8.7	Secondary $\overline{\text{SERR}}$	3-7
3.9	Parity Handling and Parity Error Reporting	3-7
3.9.1	Address Parity Error	3-7
3.9.2	Data Parity Error	3-7
3.10	Master and Target Abort Handling	3-7
3.11	Discard Timer	3-7
3.12	Delayed Transactions	3-8
3.13	Mode Selection	3-8
3.14	CompactPCI Hot-Swap Support	3-9
3.15	JTAG Support	3-10
3.15.1	Test Port Instructions	3-10
3.16	GPIO Interface	3-14

3.16.1	Secondary Clock Mask	3–14
3.16.2	Transaction Forwarding Control	3–14
3.17	PCI Power Management	3–15
3.17.1	Behavior in Low-Power States	3–15
4	Bridge Configuration Header	4–1
4.1	Vendor ID Register	4–2
4.2	Device ID Register	4–2
4.3	Command Register	4–3
4.4	Status Register	4–4
4.5	Revision ID Register	4–5
4.6	Class Code Register	4–5
4.7	Cache Line Size Register	4–5
4.8	Primary Latency Timer Register	4–6
4.9	Header Type Register	4–6
4.10	BIST Register	4–6
4.11	Base Address Register 0	4–7
4.12	Base Address Register 1	4–7
4.13	Primary Bus Number Register	4–7
4.14	Secondary Bus Number Register	4–8
4.15	Subordinate Bus Number Register	4–8
4.16	Secondary Bus Latency Timer Register	4–8
4.17	I/O Base Register	4–9
4.18	I/O Limit Register	4–9
4.19	Secondary Status Register	4–10
4.20	Memory Base Register	4–11
4.21	Memory Limit Register	4–11
4.22	Prefetchable Memory Base Register	4–11
4.23	Prefetchable Memory Limit Register	4–12
4.24	Prefetchable Base Upper 32 Bits Register	4–12
4.25	Prefetchable Limit Upper 32 Bits Register	4–13
4.26	I/O Base Upper 16 Bits Register	4–13
4.27	I/O Limit Upper 16 Bits Register	4–13
4.28	Capability Pointer Register	4–14
4.29	Expansion ROM Base Address Register	4–14
4.30	Interrupt Line Register	4–14
4.31	Interrupt Pin Register	4–15
4.32	Bridge Control Register	4–15
5	Extension Registers	5–1
5.1	Chip Control Register	5–1
5.2	Extended Diagnostic Register	5–2
5.3	Arbiter Control Register	5–3
5.4	P_SERR Event Disable Register	5–4
5.5	GPIO Output Data Register	5–5
5.6	GPIO Output Enable Register	5–5

5.7	GPIO Input Data Register	5-6
5.8	Secondary Clock Control Register	5-7
5.9	P_SERR Status Register	5-8
5.10	Power-Management Capability ID Register	5-8
5.11	Power-Management Next-Item Pointer Register	5-9
5.12	Power-Management Capabilities Register	5-9
5.13	Power-Management Control/Status Register	5-10
5.14	PMCSR Bridge Support Register	5-11
5.15	Data Register	5-11
5.16	HS Capability ID Register	5-12
5.17	HS Next-Item Pointer Register	5-12
5.18	Hot-Swap Control Status Register	5-13
6	Electrical Characteristics	6-1
6.1	Absolute Maximum Ratings Over Operating Temperature Ranges .	6-1
6.2	Recommended Operating Conditions	6-1
6.3	Recommended Operating Conditions for PCI Interface	6-2
6.4	Electrical Characteristics Over Recommended Operating Conditions	6-2
6.5	PCI Clock/Reset Timing Requirements Over Recommended Ranges of Supply Voltage and Operating Free-Air Temperature ...	6-2
6.6	PCI Timing Requirements Over Recommended Ranges of Supply Voltage and Operating Free-Air Temperature	6-3
6.7	Parameter Measurement Information	6-4
6.8	PCI Bus Parameter Measurement Information	6-5
7	Mechanical Data	7-1

List of Illustrations

<i>Figure</i>	<i>Title</i>	<i>Page</i>
2-1	PCI2050 GHK Terminal Diagram	2-1
2-2	PCI2050 ZHK Terminal Diagram	2-1
2-3	PCI2050 PDV Terminal Diagram	2-2
3-1	System Block Diagram	3-1
3-2	PCI AD31-AD0 During Address Phase of a Type 0 Configuration Cycle	3-2
3-3	PCI AD31-AD0 During Address Phase of a Type 1 Configuration Cycle	3-3
3-4	Bus Hierarchy and Numbering	3-3
3-5	Secondary Clock Block Diagram	3-5
3-6	Clock Mask Read Timing After Reset	3-14
6-1	Load Circuit and Voltage Waveforms	6-4
6-2	PCLK Timing Waveform	6-5
6-3	$\overline{\text{RSTIN}}$ Timing Waveforms	6-5
6-4	Shared-Signals Timing Waveforms	6-5

List of Tables

<i>Table</i>	<i>Title</i>	<i>Page</i>
2-1	208-Terminal PDV Signal Names Sorted by Terminal Number	2-3
2-2	209-Terminal GHK/ZHK Signal Names Sorted by Terminal Number . . .	2-5
2-3	Signal Names Sorted Alphabetically	2-7
2-4	Primary PCI System Terminals	2-9
2-5	Primary PCI Address and Data Terminals	2-9
2-6	Primary PCI Interface Control Terminals	2-10
2-7	Secondary PCI System Terminals	2-11
2-8	Secondary PCI Address and Data Terminals	2-12
2-9	Secondary PCI Interface Control Terminals	2-13
2-10	Miscellaneous Terminals	2-14
2-11	JTAG Interface Terminals	2-14
2-12	Power Supply Terminals	2-14
3-1	PCI Command Definition	3-2
3-2	PCI S_AD31-S_AD16 During the Address Phase of a Type 0 Configuration Cycle	3-4
3-3	Configuration via MS0 and MS1	3-9
3-4	JTAG Instructions and Op Codes	3-10
3-5	Boundary Scan Terminal Order	3-10
3-6	Clock Mask Data Format	3-14
4-1	Bridge Configuration Header	4-1
4-2	Command Register Description	4-3
4-3	Status Register Description	4-4
4-4	Secondary Status Register Description	4-10
4-5	Bridge Control Register Description	4-15
5-1	Chip Control Register Description	5-1
5-2	Extended Diagnostic Register Description	5-2
5-3	Arbiter Control Register Description	5-3
5-4	P_SERR Event Disable Register Description	5-4
5-5	GPIO Output Data Register Description	5-5
5-6	GPIO Output Enable Register Description	5-5
5-7	GPIO Input Data Register Description	5-6
5-8	Secondary Clock Control Register Description	5-7
5-9	P_SERR Status Register Description	5-8
5-10	Power-Management Capabilities Register Description	5-9
5-11	Power-Management Control/Status Register Description	5-10
5-12	PMCSR Bridge Support Register Description	5-11
5-13	Hot-Swap Control Status Register Description	5-13

1 Introduction

1.1 Description

The Texas Instruments PCI2050 PCI-to-PCI bridge provides a high-performance connection path between two peripheral component interconnect (PCI) buses. Transactions occur between masters on one PCI bus and targets on another PCI bus, and the PCI2050 allows bridged transactions to occur concurrently on both buses. The bridge supports burst-mode transfers to maximize data throughput, and the two bus traffic paths through the bridge act independently.

The PCI2050 bridge is compliant with the *PCI Local Bus Specification*, and can be used to overcome the electrical loading limits of 10 devices per PCI bus and one PCI device per expansion slot by creating hierarchical buses. The PCI2050 provides two-tier internal arbitration for up to nine secondary bus masters and may be implemented with an external secondary PCI bus arbiter.

The CompactPCI™ hot-swap extended PCI capability is provided which makes the PCI2050 an ideal solution for multifunction CompactPCI cards and for adapting single-function cards to hot-swap compliance.

The PCI2050 bridge is compliant with the *PCI-to-PCI Bridge Specification 1.1*. The PCI2050 provides compliance for *PCI Power Management 1.0 and 1.1*. The PCI2050 has been designed to lead the industry in power conservation. An advanced CMOS process is used to achieve low system power consumption while operating at PCI clock rates up to 33 MHz.

The PCI2050I is an industrial version of the PCI2050 that has a larger operating temperature range. All references to the PCI2050 also apply to the PCI2050I unless otherwise noted.

1.2 Features

The PCI2050 supports the following features:

- Architecture configurable for *PCI Bus Power Management Interface Specification*
- CompactPCI hot-swap-friendly silicon
- 3.3-V core logic with universal PCI interfaces compatible with 3.3-V and 5-V PCI signaling environments
- Two 32-bit, 33-MHz PCI buses
- Internal two-tier arbitration for up to nine secondary bus masters and supports an external secondary bus arbiter
- Burst data transfers with pipeline architecture to maximize data throughput in both directions
- Independent read and write buffers for each direction
- Up to three delayed transactions in both directions
- Ten secondary PCI clock outputs
- Predictable latency per *PCI Local Bus Specification*
- Bus locking propagation
- Secondary bus is driven low during reset
- VGA/palette memory and I/O decoding options
- Advanced submicron, low-power CMOS technology
- 208-terminal QFP or 209-terminal MicroStar BGA™ package

1.3 Related Documents

- *Advanced Configuration and Power Interface (ACPI) Specification (Revision 1.0)*
- *IEEE Standard Test Access Port and Boundary-Scan Architecture*
- *PCI Local Bus Specification (Revision 2.2)*
- *PCI-to-PCI Bridge Specification (Revision 1.1)*
- *PCI Bus Power Management Interface Specification (Revision 1.1)*
- *PICMG CompactPCI Hot-Swap Specification (Revision 1.0)*

1.4 Trademarks

CompactPCI is a trademark of PICMG – PCI Industrial Computer Manufacturers Group, Inc.

Intel is a trademark of Intel Corporation.

MicroStar BGA and TI are trademarks of Texas Instruments.

Other trademarks are the property of their respective owners.

1.5 Ordering Information

ORDERING NUMBER	VOLTAGE	TEMPERATURE	PACKAGE
PCI2050PDV	3.3 V, 5-V tolerant I/Os	0 to 70°C	208-terminal QFP
PCI2050IPDV	3.3 V, 5-V tolerant I/Os	–40 to 85°C	208-terminal QFP
PCI2050GHK	3.3 V, 5-V tolerant I/Os	0 to 70°C	209-terminal MicroStar BGA™
PCI2050IGHK	3.3 V, 5-V tolerant I/Os	–40 to 85°C	209-terminal MicroStar BGA™
PCI2050ZHK	3.3 V, 5-V tolerant I/Os	0 to 70°C	209-terminal MicroStar BGA™ Leadfree

2 Terminal Descriptions

The PCI2050 device is packaged either in a 209-terminal GHK MicroStar BGA™, a 209-terminal ZHK MicroStar BGA™, or a 208-terminal PDV package. Figure 2–1 is a GHK-package terminal diagram. Figure 2–2 is a ZHK-package terminal diagram. Figure 2–3 is a PDV-package terminal diagram. Table 2–1 lists terminals on the PDV packaged device in increasing numerical order, with the signal name and corresponding GHK terminal number for each. Table 2–2 lists terminals on the GHK packaged device in increasing alphanumeric order, with the signal name and corresponding PDV terminal number for each. Table 2–3 lists signal names in alphabetical order, with corresponding terminal numbers for both package types.

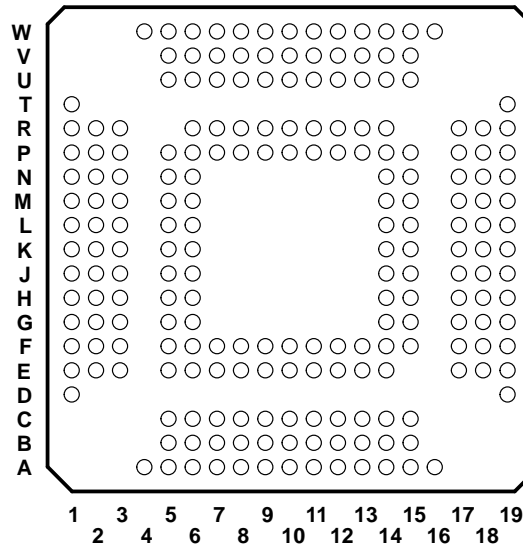


Figure 2–1. PCI2050 GHK Terminal Diagram

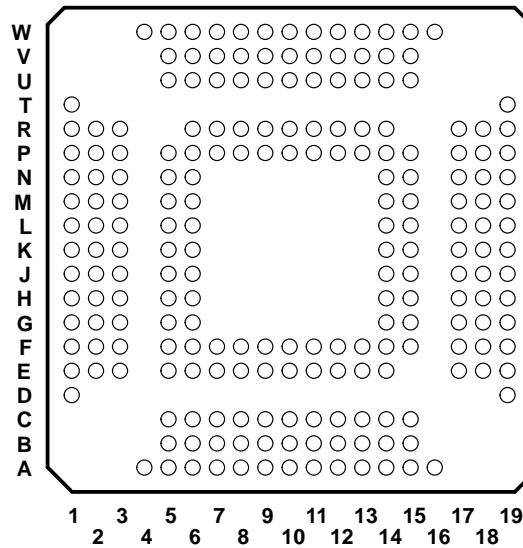


Figure 2–2. PCI2050 ZHK Terminal Diagram

Table 2–1. 208-Terminal PDV Signal Names Sorted by Terminal Number

PDV NO.	SIGNAL NAME	PDV NO.	SIGNAL NAME	PDV NO.	SIGNAL NAME	PDV NO.	SIGNAL NAME
1	VCC	44	BPCCE	87	P_LOCK	130	TDO
2	S_REQ1	45	P_CLK	88	P_PERR	131	VCC
3	S_REQ2	46	P_GNT	89	P_SERR	132	TMS
4	S_REQ3	47	P_REQ	90	P_PAR	133	TCK
5	S_REQ4	48	GND	91	VCC	134	TRST
6	S_REQ5	49	P_AD31	92	P_C/BE1	135	S_VCCP
7	S_REQ6	50	P_AD30	93	P_AD15	136	GND
8	S_REQ7	51	VCC	94	GND	137	S_AD0
9	S_REQ8	52	GND	95	P_AD14	138	S_AD1
10	S_GNT0	53	VCC	96	P_AD13	139	VCC
11	S_GNT1	54	GND	97	VCC	140	S_AD2
12	GND	55	P_AD29	98	P_AD12	141	S_AD3
13	S_GNT2	56	VCC	99	P_AD11	142	GND
14	S_GNT3	57	P_AD28	100	GND	143	S_AD4
15	S_GNT4	58	P_AD27	101	P_AD10	144	S_AD5
16	S_GNT5	59	GND	102	NC	145	VCC
17	S_GNT6	60	P_AD26	103	VCC	146	S_AD6
18	S_GNT7	61	P_AD25	104	GND	147	S_AD7
19	S_GNT8	62	VCC	105	VCC	148	GND
20	GND	63	P_AD24	106	MS1	149	S_C/BE0
21	S_CLK	64	P_C/BE3	107	P_AD9	150	S_AD8
22	S_RST	65	P_IDSEL	108	VCC	151	VCC
23	S_CFN	66	GND	109	P_AD8	152	S_AD9
24	HSSWITCH/GPIO3	67	P_AD23	110	P_C/BE0	153	S_M66ENA
25	GPIO2	68	P_AD22	111	GND	154	S_AD10
26	VCC	69	VCC	112	P_AD7	155	MS0
27	GPIO1	70	P_AD21	113	P_AD6	156	GND
28	GPIO0	71	P_AD20	114	VCC	157	VCC
29	S_CLKOUT0	72	GND	115	P_AD5	158	GND
30	S_CLKOUT1	73	P_AD19	116	P_AD4	159	S_AD11
31	GND	74	P_AD18	117	GND	160	GND
32	S_CLKOUT2	75	VCC	118	P_AD3	161	S_AD12
33	S_CLKOUT3	76	P_AD17	119	P_AD2	162	S_AD13
34	VCC	77	P_AD16	120	VCC	163	VCC
35	S_CLKOUT4	78	GND	121	P_AD1	164	S_AD14
36	S_CLKOUT5	79	P_C/BE2	122	P_AD0	165	S_AD15
37	GND	80	P_FRAME	123	GND	166	GND
38	S_CLKOUT6	81	VCC	124	P_VCCP	167	S_C/BE1
39	S_CLKOUT7	82	P_IRDY	125	NC	168	S_PAR
40	VCC	83	P_TRDY	126	MSK_IN	169	S_SERR
41	S_CLKOUT8	84	P_DEVSEL	127	HSENUM	170	VCC
42	S_CLKOUT9	85	P_STOP	128	HSLED	171	S_PERR
43	P_RST	86	GND	129	TDI	172	S_LOCK

Table 2–1. 208-Terminal PDV Signal Names Sorted by Terminal Number (Continued)

PDV NO.	SIGNAL NAME	PDV NO.	SIGNAL NAME	PDV NO.	SIGNAL NAME	PDV NO.	SIGNAL NAME
173	$\overline{S_STOP}$	182	S_AD16	191	S_AD22	200	S_AD27
174	GND	183	S_AD17	192	S_AD23	201	S_AD28
175	$\overline{S_DEVSEL}$	184	V _{CC}	193	GND	202	V _{CC}
176	$\overline{S_TRDY}$	185	S_AD18	194	$\overline{S_C/BE3}$	203	S_AD29
177	$\overline{S_IRDY}$	186	S_AD19	195	S_AD24	204	S_AD30
178	V _{CC}	187	GND	196	V _{CC}	205	GND
179	$\overline{S_FRAME}$	188	S_AD20	197	S_AD25	206	S_AD31
180	$\overline{S_C/BE2}$	189	S_AD21	198	S_AD26	207	$\overline{S_REQ0}$
181	GND	190	V _{CC}	199	GND	208	V _{CC}

Table 2–2. 209-Terminal GHK/ZHK Signal Names Sorted by Terminal Number

GHK/ZHK NO.	SIGNAL NAME	GHK/ZHK NO.	SIGNAL NAME	GHK/ZHK NO.	SIGNAL NAME	GHK/ZHK NO.	SIGNAL NAME
A4	VCC	E8	S_C/BE3	H15	GND	M19	P_AD0
A5	S_AD29	E9	S_AD21	H17	S_AD2	N1	S_CLKOUT7
A6	GND	E10	S_AD17	H18	VCC	N2	VCC
A7	S_AD24	E11	VCC	H19	S_AD1	N3	S_CLKOUT8
A8	VCC	E12	S_PERR	J1	S_GNT8	N5	P_CLK
A9	S_AD18	E13	S_AD15	J2	GND	N6	S_CLKOUT9
A10	S_C/BE2	E14	S_AD11	J3	S_CLK	N14	VCC
A11	S_DEVSEL	E17	MS0	J5	S_RST	N15	P_AD6
A12	GND	E18	S_M66ENA	J6	S_CFN	N17	P_AD4
A13	VCC	E19	VCC	J14	GND	N18	GND
A14	GND	F1	S_GNT0	J15	S_AD0	N19	P_AD3
A15	S_AD13	F2	S_REQ7	J17	S_VCCP	P1	P_RST
A16	VCC	F3	S_REQ6	J18	TRST	P2	BPCCE
B5	GND	F5	S_REQ2	J19	TCK	P3	P_GNT
B6	S_AD27	F6	S_AD30	K1	HSSWITCH/GPIO3	P5	P_AD30
B7	VCC	F7	S_AD26	K2	GPIO2	P6	GND
B8	S_AD22	F8	GND	K3	VCC	P7	VCC
B9	S_AD19	F9	S_AD20	K5	GPIO1	P8	P_AD24
B10	GND	F10	VCC	K6	GPIO0	P9	VCC
B11	S_TRDY	F11	S_FRAME	K14	TMS	P10	P_FRAME
B12	S_STOP	F12	S_C/BE1	K15	VCC	P11	P_DEVSEL
B13	S_SERR	F13	GND	K17	TDO	P12	P_SERR
B14	S_AD14	F14	S_AD9	K18	TDI	P13	GND
B15	S_AD12	F15	S_AD10	K19	HSLED	P14	GND
C5	S_REQ0	F17	S_AD8	L1	S_CLKOUT0	P15	P_AD9
C6	VCC	F18	GND	L2	S_CLKOUT1	P17	GND
C7	S_AD25	F19	S_AD7	L3	GND	P18	P_AD7
C8	S_AD23	G1	S_GNT3	L5	S_CLKOUT3	P19	VCC
C9	GND	G2	S_GNT2	L6	S_CLKOUT2	R1	P_REQ
C10	S_AD16	G3	GND	L14	HSENUM	R2	P_AD31
C11	S_IRDY	G5	S_REQ8	L15	MSK_IN	R3	VCC
C12	S_LOCK	G6	S_REQ3	L17	NC	R6	P_AD29
C13	S_PAR	G14	S_AD6	L18	P_VCCP	R7	P_AD25
C14	VCC	G15	S_C/BE0	L19	GND	R8	P_AD23
C15	GND	G17	VCC	M1	VCC	R9	P_AD18
D1	VCC	G18	S_AD5	M2	S_CLKOUT4	R10	P_C/BE2
D19	GND	G19	S_AD4	M3	S_CLKOUT5	R11	P_STOP
E1	S_REQ5	H1	S_GNT7	M5	S_CLKOUT6	R12	P_PAR
E2	S_REQ4	H2	S_GNT6	M6	GND	R13	VCC
E3	S_REQ1	H3	S_GNT5	M14	P_AD5	R14	NC
E5†	NC	H5	S_GNT4	M15	P_AD2	R17	MS1
E6	S_AD31	H6	S_GNT1	M17	VCC	R18	P_AD8
E7	S_AD28	H14	S_AD3	M18	P_AD1	R19	P_C/BE0

† Terminal E5 is used as a key to indicate the location of the A1 corner. It is a no-connect terminal.

Table 2–2. 209-Terminal GHK/ZHK Signal Names Sorted by Terminal Number (Continued)

GHK/ZHK NO.	SIGNAL NAME	GHK/ZHK NO.	SIGNAL NAME	GHK/ZHK NO.	SIGNAL NAME	GHK/ZHK NO.	SIGNAL NAME
T1	GND	U13	P_AD15	V12	P_LOCK	W10	P_AD17
T19	VCC	U14	P_AD12	V13	P_C/BE1	W11	VCC
U5	GND	U15	VCC	V14	P_AD13	W12	GND
U6	GND	V5	P_AD28	V15	P_AD10	W13	VCC
U7	P_C/BE3	V6	P_AD26	W4	VCC	W14	P_AD14
U8	P_AD22	V7	P_IDSEL	W5	P_AD27	W15	P_AD11
U9	P_AD19	V8	VCC	W6	VCC	W16	GND
U10	GND	V9	GND	W7	GND		
U11	P_TRDY	V10	P_AD16	W8	P_AD21		
U12	P_PERR	V11	P_IRDY	W9	P_AD20		

Table 2–3. Signal Names Sorted Alphabetically

SIGNAL NAME	PDV NO.	GHK/ZHK NO.	SIGNAL NAME	PDV NO.	GHK/ZHK NO.	SIGNAL NAME	PDV NO.	GHK/ZHK NO.	SIGNAL NAME	PDV NO.	GHK/ZHK NO.
BPCCE	44	P2	NC	125	L17	$\overline{P_LOCK}$	87	V12	$S_C/BE2$	180	A10
GND	12	G3	P_AD0	122	M19	P_PAR	90	R12	$S_C/BE3$	194	E8
GND	20	J2	P_AD1	121	M18	$\overline{P_PERR}$	88	U12	$\overline{S_CFN}$	23	J6
GND	31	L3	P_AD2	119	M15	$\overline{P_REQ}$	47	R1	$\overline{S_CLK}$	21	J3
GND	37	M6	P_AD3	118	N19	$\overline{P_RST}$	43	P1	$\overline{S_CLKOUT0}$	29	L1
GND	48	P6	P_AD4	116	N17	$\overline{P_SERR}$	89	P12	$\overline{S_CLKOUT1}$	30	L2
GND	52	T1	P_AD5	115	M14	$\overline{P_STOP}$	85	R11	$\overline{S_CLKOUT2}$	32	L6
GND	54	U5	P_AD6	113	N15	$\overline{P_TRDY}$	83	U11	$\overline{S_CLKOUT3}$	33	L5
GND	59	U6	P_AD7	112	P18	$\overline{P_VCCP}$	124	L18	$\overline{S_CLKOUT4}$	35	M2
GND	66	W7	P_AD8	109	R18	S_AD0	137	J15	$\overline{S_CLKOUT5}$	36	M3
GND	72	V9	P_AD9	107	P15	S_AD1	138	H19	$\overline{S_CLKOUT6}$	38	M5
GND	78	U10	P_AD10	101	V15	S_AD2	140	H17	$\overline{S_CLKOUT7}$	39	N1
GND	86	W12	P_AD11	99	W15	S_AD3	141	H14	$\overline{S_CLKOUT8}$	41	N3
GND	94	P13	P_AD12	98	U14	S_AD4	143	G19	$\overline{S_CLKOUT9}$	42	N6
GND	100	P14	P_AD13	96	V14	S_AD5	144	G18	$\overline{S_DEVSEL}$	175	A11
GND	104	W16	P_AD14	95	W14	S_AD6	146	G14	$\overline{S_FRAME}$	179	F11
GND	111	P17	P_AD15	93	U13	S_AD7	147	F19	$\overline{S_GNT0}$	10	F1
GND	117	N18	P_AD16	77	V10	S_AD8	150	F17	$\overline{S_GNT1}$	11	H6
GND	123	L19	P_AD17	76	W10	S_AD9	152	F14	$\overline{S_GNT2}$	13	G2
GND	136	J14	P_AD18	74	R9	S_AD10	154	F15	$\overline{S_GNT3}$	14	G1
GND	142	H15	P_AD19	73	U9	S_AD11	159	E14	$\overline{S_GNT4}$	15	H5
GND	148	F18	P_AD20	71	W9	S_AD12	161	B15	$\overline{S_GNT5}$	16	H3
GND	156	D19	P_AD21	70	W8	S_AD13	162	A15	$\overline{S_GNT6}$	17	H2
GND	158	C15	P_AD22	68	U8	S_AD14	164	B14	$\overline{S_GNT7}$	18	H1
GND	160	F13	P_AD23	67	R8	S_AD15	165	E13	$\overline{S_GNT8}$	19	J1
GND	166	A14	P_AD24	63	P8	S_AD16	182	C10	$\overline{S_IRDY}$	177	C11
GND	174	A12	P_AD25	61	R7	S_AD17	183	E10	$\overline{S_LOCK}$	172	C12
GND	181	B10	P_AD26	60	V6	S_AD18	185	A9	$\overline{S_M66ENA}$	153	E18
GND	187	C9	P_AD27	58	W5	S_AD19	186	B9	$\overline{S_PAR}$	168	C13
GND	193	F8	P_AD28	57	V5	S_AD20	188	F9	$\overline{S_PERR}$	171	E12
GND	199	A6	P_AD29	55	R6	S_AD21	189	E9	$\overline{S_REQ0}$	207	C5
GND	205	B5	P_AD30	50	P5	S_AD22	191	B8	$\overline{S_REQ1}$	2	E3
GPIO0	28	K6	P_AD31	49	R2	S_AD23	192	C8	$\overline{S_REQ2}$	3	F5
GPIO1	27	K5	$\overline{P_C/BE0}$	110	R19	S_AD24	195	A7	$\overline{S_REQ3}$	4	G6
GPIO2	25	K2	$\overline{P_C/BE1}$	92	V13	S_AD25	197	C7	$\overline{S_REQ4}$	5	E2
HSENUM	127	L14	$\overline{P_C/BE2}$	79	R10	S_AD26	198	F7	$\overline{S_REQ5}$	6	E1
HSLED	128	K19	$\overline{P_C/BE3}$	64	U7	S_AD27	200	B6	$\overline{S_REQ6}$	7	F3
HSSWITCH/ GPIO3	24	K1	P_CLK	45	N5	S_AD28	201	E7	$\overline{S_REQ7}$	8	F2
MS0	155	E17	$\overline{P_DEVSEL}$	84	P11	S_AD29	203	A5	$\overline{S_REQ8}$	9	G5
MS1	106	R17	$\overline{P_FRAME}$	80	P10	S_AD30	204	F6	$\overline{S_RST}$	22	J5
MSK_IN	126	L15	$\overline{P_GNT}$	46	P3	S_AD31	206	E6	$\overline{S_SERR}$	169	B13
NC	N/A	E5	$\overline{P_IDSEL}$	65	V7	$\overline{S_C/BE0}$	149	G15	$\overline{S_STOP}$	173	B12
NC	102	R14	$\overline{P_IRDY}$	82	V11	$\overline{S_C/BE1}$	167	F12	$\overline{S_TRDY}$	176	B11

Table 2–3. Signal Names Sorted Alphabetically (Continued)

SIGNAL NAME	PDV NO.	GHK/ZHK NO.	SIGNAL NAME	PDV NO.	GHK/ZHK NO.	SIGNAL NAME	PDV NO.	GHK/ZHK NO.	SIGNAL NAME	PDV NO.	GHK/ZHK NO.
S_VCCP	135	J17	VCC	51	R3	VCC	105	T19	VCC	157	A16
TCK	133	J19	VCC	53	W4	VCC	108	N14	VCC	163	C14
TDI	129	K18	VCC	56	P7	VCC	114	P19	VCC	170	A13
TDO	130	K17	VCC	62	W6	VCC	120	M17	VCC	178	E11
TMS	132	K14	VCC	69	V8	VCC	131	K15	VCC	184	F10
$\overline{\text{TRST}}$	134	J18	VCC	75	P9	VCC	139	H18	VCC	190	A8
VCC	1	D1	VCC	81	W11	VCC	145	G17	VCC	196	B7
VCC	26	K3	VCC	91	W13	VCC	151	E19			
VCC	34	M1	VCC	97	R13	VCC	202	C6			
VCC	40	N2	VCC	103	U15	VCC	208	A4			

The terminals are grouped in tables by functionality, such as PCI system function and power-supply function (see Table 2–4 through Table 2–12). The terminal numbers are listed for convenient reference.

Table 2–4. Primary PCI System Terminals

TERMINAL			I/O	DESCRIPTION
NAME	PDV NO.	GHK/ZHK NO.		
P_CLK	45	N5	I	Primary PCI bus clock. P_CLK provides timing for all transactions on the primary PCI bus. All primary PCI signals are sampled at rising edge of P_CLK.
$\overline{\text{P_RST}}$	43	P1	I	PCI reset. When the primary PCI bus reset is asserted, $\overline{\text{P_RST}}$ causes the bridge to put all output buffers in a high-impedance state and reset all internal registers. When asserted, the device is completely nonfunctional. During $\overline{\text{P_RST}}$, the secondary interface is driven low. After $\overline{\text{P_RST}}$ is deasserted, the bridge is in its default state.

Table 2–5. Primary PCI Address and Data Terminals

TERMINAL			I/O	DESCRIPTION
NAME	PDV NO.	GHK/ZHK NO.		
P_AD31	49	R2	I/O	Primary address/data bus. These signals make up the multiplexed PCI address and data bus on the primary interface. During the address phase of a primary bus PCI cycle, P_AD31–P_AD0 contain a 32-bit address or other destination information. During the data phase, P_AD31–P_AD0 contain data.
P_AD30	50	P5		
P_AD29	55	R6		
P_AD28	57	V5		
P_AD27	58	W5		
P_AD26	60	V6		
P_AD25	61	R7		
P_AD24	63	P8		
P_AD23	67	R8		
P_AD22	68	U8		
P_AD21	70	W8		
P_AD20	71	W9		
P_AD19	73	U9		
P_AD18	74	R9		
P_AD17	76	W10		
P_AD16	77	V10		
P_AD15	93	U13		
P_AD14	95	W14		
P_AD13	96	V14		
P_AD12	98	U14		
P_AD11	99	W15		
P_AD10	101	V15		
P_AD9	107	P15		
P_AD8	109	R18		
P_AD7	112	P18		
P_AD6	113	N15		
P_AD5	115	M14		
P_AD4	116	N17		
P_AD3	118	N19		
P_AD2	119	M15		
P_AD1	121	M18		
P_AD0	122	M19		
$\overline{\text{P_C/BE3}}$	64	U7	I/O	Primary bus commands and byte enables. These signals are multiplexed on the same PCI terminals. During the address phase of a primary bus PCI cycle, $\overline{\text{P_C/BE3}}$ – $\overline{\text{P_C/BE0}}$ define the bus command. During the data phase, this 4-bit bus is used as byte enables. The byte enables determine which byte paths of the full 32-bit data bus carry meaningful data. $\overline{\text{P_C/BE0}}$ applies to byte 0 (P_AD7–P_AD0), $\overline{\text{P_C/BE1}}$ applies to byte 1 (P_AD15–P_AD8), $\overline{\text{P_C/BE2}}$ applies to byte 2 (P_AD23–P_AD16), and $\overline{\text{P_C/BE3}}$ applies to byte 3 (P_AD31–P_AD24).
$\overline{\text{P_C/BE2}}$	79	R10		
$\overline{\text{P_C/BE1}}$	92	V13		
$\overline{\text{P_C/BE0}}$	110	R19		

Table 2–6. Primary PCI Interface Control Terminals

TERMINAL			I/O	DESCRIPTION
NAME	PDV NO.	GHK/ZHK NO.		
$\overline{P_DEVSEL}$	84	P11	I/O	Primary device select. The bridge asserts $\overline{P_DEVSEL}$ to claim a PCI cycle as the target device. As a PCI master on the primary bus, the bridge monitors $\overline{P_DEVSEL}$ until a target responds. If no target responds before time-out occurs, then the bridge terminates the cycle with a master abort.
$\overline{P_FRAME}$	80	P10	I/O	Primary cycle frame. $\overline{P_FRAME}$ is driven by the master of a primary bus cycle. $\overline{P_FRAME}$ is asserted to indicate that a bus transaction is beginning, and data transfers continue while this signal is asserted. When $\overline{P_FRAME}$ is deasserted, the primary bus transaction is in the final data phase.
$\overline{P_GNT}$	46	P3	I	Primary bus grant to bridge. $\overline{P_GNT}$ is driven by the primary PCI bus arbiter to grant the bridge access to the primary PCI bus after the current data transaction has completed. $\overline{P_GNT}$ may or may not follow a primary bus request, depending on the primary bus arbitration algorithm.
P_IDSEL	65	V7	I	Primary initialization device select. P_IDSEL selects the bridge during configuration space accesses. P_IDSEL can be connected to one of the upper 24 PCI address lines on the primary PCI bus. Note: There is no IDSEL signal interfacing the secondary PCI bus; thus, the entire configuration space of the bridge can only be accessed from the primary bus.
$\overline{P_IRDY}$	82	V11	I/O	Primary initiator ready. $\overline{P_IRDY}$ indicates ability of the primary bus master to complete the current data phase of the transaction. A data phase is completed on a rising edge of P_CLK where both $\overline{P_IRDY}$ and $\overline{P_TRDY}$ are asserted. Until $\overline{P_IRDY}$ and $\overline{P_TRDY}$ are both sampled asserted, wait states are inserted.
$\overline{P_LOCK}$	87	V12	I/O	Primary PCI bus lock. $\overline{P_LOCK}$ is used to lock the primary bus and gain exclusive access as a bus master.
P_PAR	90	R12	I/O	Primary parity. In all primary bus read and write cycles, the bridge calculates even parity across the P_AD and P_C/BE buses. As a bus master during PCI write cycles, the bridge outputs this parity indicator with a one-P_CLK delay. As a target during PCI read cycles, the calculated parity is compared to the parity indicator of the master; a miscompare can result in a parity error assertion ($\overline{P_PERR}$).
$\overline{P_PERR}$	88	U12	I/O	Primary parity error indicator. $\overline{P_PERR}$ is driven by a primary bus PCI device to indicate that calculated parity does not match P_PAR when $\overline{P_PERR}$ is enabled through bit 6 of the command register (PCI offset 04h, see Section 4.3).
$\overline{P_REQ}$	47	R1	O	Primary PCI bus request. Asserted by the bridge to request access to the primary PCI bus as a master.
$\overline{P_SERR}$	89	P12	O	Primary system error. Output pulsed from the bridge when enabled through the command register (PCI offset 04h, see Section 4.3) indicating a system error has occurred. The bridge needs not be the target of the primary PCI cycle to assert this signal. When bit 6 is enabled in the bridge control register (PCI offset 3Eh, see Section 4.32), this signal also pulses, indicating that a system error has occurred on one of the subordinate buses downstream from the bridge.
$\overline{P_STOP}$	85	R11	I/O	Primary cycle stop signal. This signal is driven by a PCI target to request that the master stop the current primary bus transaction. This signal is used for target disconnects and is commonly asserted by target devices which do not support burst data transfers.
$\overline{P_TRDY}$	83	U11	I/O	Primary target ready. $\overline{P_TRDY}$ indicates the ability of the primary bus target to complete the current data phase of the transaction. A data phase is completed upon a rising edge of P_CLK where both $\overline{P_IRDY}$ and $\overline{P_TRDY}$ are asserted. Until both $\overline{P_IRDY}$ and $\overline{P_TRDY}$ are asserted, wait states are inserted.

Table 2–7. Secondary PCI System Terminals

TERMINAL			I/O	DESCRIPTION
NAME	PDV NO.	GHK/ZHK NO.		
S_CLKOUT9	42	N6	O	Secondary PCI bus clocks. Provide timing for all transactions on the secondary PCI bus. Each secondary bus device samples all secondary PCI signals at the rising edge of its corresponding S_CLKOUT input.
S_CLKOUT8	41	N3		
S_CLKOUT7	39	N1		
S_CLKOUT6	38	M5		
S_CLKOUT5	36	M3		
S_CLKOUT4	35	M2		
S_CLKOUT3	33	L5		
S_CLKOUT2	32	L6		
S_CLKOUT1	30	L2		
S_CLKOUT0	29	L1		
S_CLK	21	J3	I	Secondary PCI bus clock input. This input synchronizes the PCI2050 to the secondary bus clocks.
$\overline{\text{S_CFN}}$	23	J6	I	Secondary external arbiter enable. When this signal is high, the secondary external arbiter is enabled. When the external arbiter is enabled, the PCI2050 S_REQ0 terminal is reconfigured as a secondary bus grant input to the bridge and S_GNT0 is reconfigured as a secondary bus master request to the external arbiter on the secondary bus.
$\overline{\text{S_RST}}$	22	J5	O	Secondary PCI reset. $\overline{\text{S_RST}}$ is a logical OR of $\overline{\text{P_RST}}$ and the state of the secondary bus reset bit (bit 6) of the bridge control register (PCI offset 3Eh, see Section 4.32). $\overline{\text{S_RST}}$ is asynchronous with respect to the state of the secondary interface CLK signal.

Table 2–8. Secondary PCI Address and Data Terminals

TERMINAL			I/O	DESCRIPTION
NAME	PDV NO.	GHK/ZHK NO.		
S_AD31	206	E6	I/O	Secondary address/data bus. These signals make up the multiplexed PCI address and data bus on the secondary interface. During the address phase of a secondary bus PCI cycle, S_AD31–S_AD0 contain a 32-bit address or other destination information. During the data phase, S_AD31–S_AD0 contain data.
S_AD30	204	F6		
S_AD29	203	A5		
S_AD28	201	E7		
S_AD27	200	B6		
S_AD26	198	F7		
S_AD25	197	C7		
S_AD24	195	A7		
S_AD23	192	C8		
S_AD22	191	B8		
S_AD21	189	E9		
S_AD20	188	F9		
S_AD19	186	B9		
S_AD18	185	A9		
S_AD17	183	E10		
S_AD16	182	C10		
S_AD15	165	E13		
S_AD14	164	B14		
S_AD13	162	A15		
S_AD12	161	B15		
S_AD11	159	E14		
S_AD10	154	F15		
S_AD9	152	F14		
S_AD8	150	F17		
S_AD7	147	F19		
S_AD6	146	G14		
S_AD5	144	G18		
S_AD4	143	G19		
S_AD3	141	H14		
S_AD2	140	H17		
S_AD1	138	H19		
S_AD0	137	J15		
S_C/BE3 S_C/BE2 S_C/BE1 S_C/BE0	194 180 167 149	E8 A10 F12 G15	I/O	Secondary bus commands and byte enables. These signals are multiplexed on the same PCI terminals. During the address phase of a secondary bus PCI cycle, S_C/BE3–S_C/BE0 define the bus command. During the data phase, this 4-bit bus is used as byte enables. The byte enables determine which byte paths of the full 32-bit data bus carry meaningful data. S_C/BE0 applies to byte 0 (S_AD7–S_AD0), S_C/BE1 applies to byte 1 (S_AD15–S_AD8), S_C/BE2 applies to byte 2 (S_AD23–S_AD16), and S_C/BE3 applies to byte 3 (S_AD31–S_AD24).
S_DEVSEL	175	A11	I/O	Secondary device select. The bridge asserts S_DEVSEL to claim a PCI cycle as the target device. As a PCI master on the secondary bus, the bridge monitors S_DEVSEL until a target responds. If no target responds before time-out occurs, then the bridge terminates the cycle with a master abort.
S_FRAME	179	F11	I/O	Secondary cycle frame. S_FRAME is driven by the master of a secondary bus cycle. S_FRAME is asserted to indicate that a bus transaction is beginning and data transfers continue while S_FRAME is asserted. When S_FRAME is deasserted, the secondary bus transaction is in the final data phase.
S_GNT8 S_GNT7 S_GNT6 S_GNT5 S_GNT4 S_GNT3 S_GNT2 S_GNT1 S_GNT0	19 18 17 16 15 14 13 11 10	J1 H1 H2 H3 H5 G1 G2 H6 F1	O	Secondary bus grant to the bridge. The bridge provides internal arbitration and these signals are used to grant potential secondary PCI bus masters access to the bus. Ten potential masters (including the bridge) can be located on the secondary PCI bus. When the internal arbiter is disabled, S_GNT0 is reconfigured as an external secondary bus request signal for the bridge.

Table 2–9. Secondary PCI Interface Control Terminals

TERMINAL			I/O	DESCRIPTION
NAME	PDV NO.	GHK/ZHK NO.		
$\overline{S_IRDY}$	177	C11	I/O	Secondary initiator ready. $\overline{S_IRDY}$ indicates the ability of the secondary bus master to complete the current data phase of the transaction. A data phase is completed on a rising edge of S_CLK where both $\overline{S_IRDY}$ and $\overline{S_TRDY}$ are asserted; until $\overline{S_IRDY}$ and $\overline{S_TRDY}$ are asserted, wait states are inserted.
$\overline{S_LOCK}$	172	C12	I/O	Secondary PCI bus lock. $\overline{S_LOCK}$ is used to lock the secondary bus and gain exclusive access as a master.
S_PAR	168	C13	I/O	Secondary parity. In all secondary bus read and write cycles, the bridge calculates even parity across the S_AD and S_C/ \overline{BE} buses. As a master during PCI write cycles, the bridge outputs this parity indicator with a one-S_CLK delay. As a target during PCI read cycles, the calculated parity is compared to the master parity indicator. A miscompare can result in a parity error assertion ($\overline{S_PERR}$).
$\overline{S_PERR}$	171	E12	I/O	Secondary parity error indicator. $\overline{S_PERR}$ is driven by a secondary bus PCI device to indicate that calculated parity does not match S_PAR when enabled through the command register (PCI offset 04h, see Section 4.3).
$\overline{S_REQ8}$ $\overline{S_REQ7}$ $\overline{S_REQ6}$ $\overline{S_REQ5}$ $\overline{S_REQ4}$ $\overline{S_REQ3}$ $\overline{S_REQ2}$ $\overline{S_REQ1}$ $\overline{S_REQ0}$	9 8 7 6 5 4 3 2 207	G5 F2 F3 E1 E2 G6 F5 E3 C5	I	Secondary PCI bus request signals. The bridge provides internal arbitration, and these signals are used as inputs from secondary PCI bus masters requesting the bus. Ten potential masters (including the bridge) can be located on the secondary PCI bus. When the internal arbiter is disabled, the $\overline{S_REQ0}$ signal is reconfigured as an external secondary bus grant for the bridge.
$\overline{S_SERR}$	169	B13	I	Secondary system error. $\overline{S_SERR}$ is passed through the primary interface by the bridge if enabled through the bridge control register (PCI offset 3Eh, see Section 4.32). $\overline{S_SERR}$ is never asserted by the bridge.
$\overline{S_STOP}$	173	B12	I/O	Secondary cycle stop signal. $\overline{S_STOP}$ is driven by a PCI target to request that the master stop the current secondary bus transaction. $\overline{S_STOP}$ is used for target disconnects and is commonly asserted by target devices that do not support burst data transfers.
$\overline{S_TRDY}$	176	B11	I/O	Secondary target ready. $\overline{S_TRDY}$ indicates the ability of the secondary bus target to complete the current data phase of the transaction. A data phase is completed on a rising edge of S_CLK where both $\overline{S_IRDY}$ and $\overline{S_TRDY}$ are asserted; until $\overline{S_IRDY}$ and $\overline{S_TRDY}$ are asserted, wait states are inserted.

Table 2–10. Miscellaneous Terminals

TERMINAL			I/O	DESCRIPTION
NAME	PDV NO.	GHK/ZHK NO.		
BPCCE	44	P2	I	Bus/power clock control management terminal. When signal BPCCE is tied high and when the PCI2050 is placed in the D3 power state, it enables the PCI2050 to place the secondary bus in the B2 power state. The PCI2050 disables the secondary clocks and drives them to 0. When tied low, placing the PCI2050 in the D3 power state has no effect on the secondary bus clocks.
GPIO3/HSSWITCH GPIO2 GPIO1 GPIO0	24 25 27 28	K1 K2 K5 K6	I	General-purpose I/O terminals GPIO3 is HSSWITCH in cPCI mode. HSSWITCH provides the status of the ejector handle switch to the cPCI logic.
HSENUM	127	L14	O	Hot-swap ENUM
HSLED	128	K19	O	Hot-swap LED output
MS0	155	E17	I	Mode select 0
MS1	106	R17	I	Mode select 1
NC	102 125	R14 L17	NC	These terminals have no function on the PCI2050.
S_M66ENA	153	E18	O	Secondary bus 66-MHz enable terminal. This terminal is always driven low to indicate that the secondary bus speed is 33 MHz.

Table 2–11. JTAG Interface Terminals

TERMINAL			I/O	DESCRIPTION
NAME	PDV NO.	GHK/ZHK NO.		
TCK	133	J19	I	JTAG boundary-scan clock. TCK is the clock controlling the JTAG logic.
TDI	129	K18	I	JTAG serial data in. TDI is the serial input through which JTAG instructions and test data enter the JTAG interface. The new data on TDI is sampled on the rising edge of TCK.
TDO	130	K17	O	JTAG serial data out. TDO is the serial output through which test instructions and data from the test logic leave the PCI2050.
TMS	132	K14	I	JTAG test mode select. TMS causes state transitions in the test access port controller.
$\overline{\text{TRST}}$	134	J18	I	JTAG TAP reset. When $\overline{\text{TRST}}$ is asserted low, the TAP controller is asynchronously forced to enter a reset state and initialize the test logic.

Table 2–12. Power Supply Terminals

TERMINAL		GHK/ZHK NO.	DESCRIPTION
NAME	PDV NO.		
GND	12, 20, 31, 37, 48, 52, 54, 59, 66, 72, 78, 86, 94, 100, 104, 111, 117, 123, 136, 142, 148, 156, 158, 160, 166, 174, 181, 187, 193, 199, 205	A6, A12, A14, B5, B10, C9, C15, D19, F8, F13, F18, G3, H15, J2, J14, L3, L19, M6, N18, P6, P13, P14, P17, T1, U5, U6, U10, V9, W7, W12, W16	Device ground terminals
VCC	1, 26, 34, 40, 51, 53, 56, 62, 69, 75, 81, 91, 97, 103, 105, 108, 114, 120, 131, 139, 145, 151, 157, 163, 170, 178, 184, 190, 196, 202, 208	A4, A8, A13, A16, B7, C6, C14, D1, E11, E19, F10, G17, H18, K3, K15, M1, M17, N2, N14, P7, P9, P19, R3, R13, T19, U15, V8, W4, W6, W11, W13	Power-supply terminal for core logic (3.3 V)
P_VCCP	124	L18	Primary bus-signaling environment supply. P_VCCP is used in protection circuitry on primary bus I/O signals.
S_VCCP	135	J17	Secondary bus-signaling environment supply. S_VCCP is used in protection circuitry on secondary bus I/O signals.

3 Feature/Protocol Descriptions

The following sections give an overview of the PCI2050 PCI-to-PCI bridge features and functionality. Figure 3–1 shows a simplified block diagram of a typical system implementation using the PCI2050.

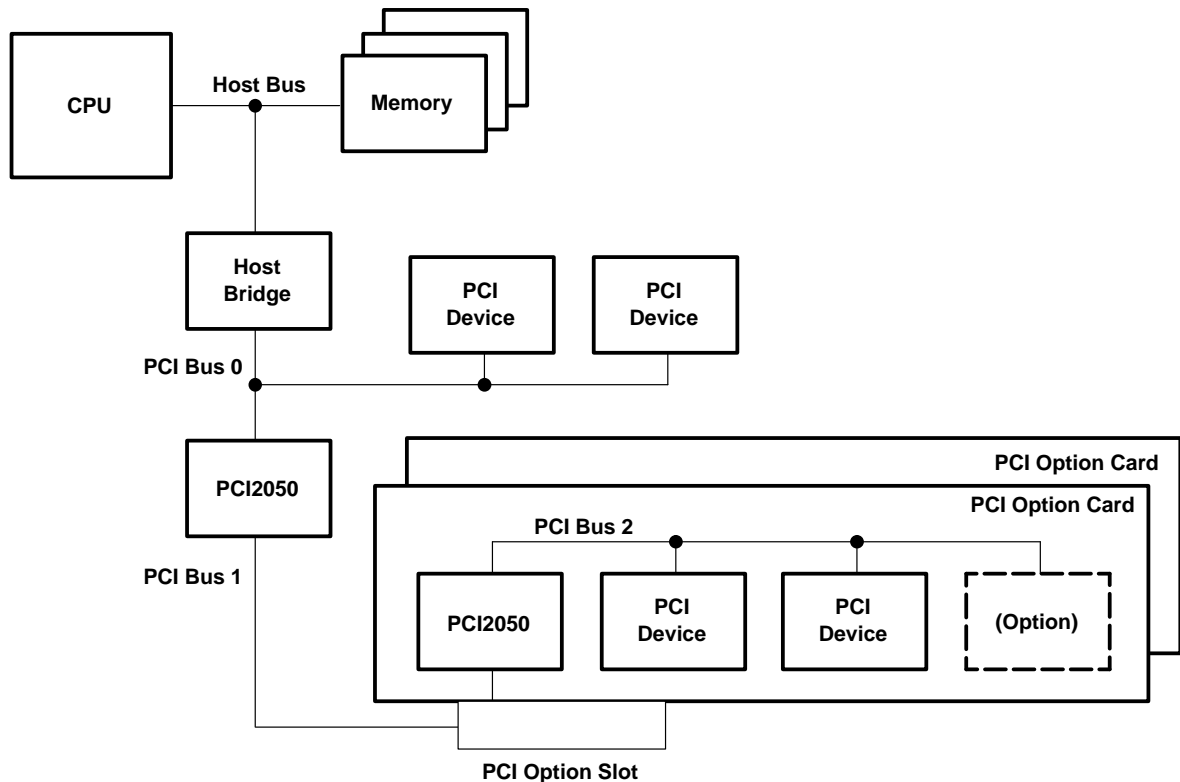


Figure 3–1. System Block Diagram

3.1 Introduction to the PCI2050

The PCI2050 is a bridge between two PCI buses and is compliant with both the *PCI Local Bus Specification* and the *PCI-to-PCI Bridge Specification*. The bridge supports two 32-bit PCI buses operating at a maximum of 33 MHz. The primary and secondary buses operate independently in either a 3.3-V or 5-V signaling environment. The core logic of the bridge, however, is powered at 3.3 V to reduce power consumption.

Host software interacts with the bridge through internal registers. These internal registers provide the standard PCI status and control for both the primary and secondary buses. Many vendor-specific features that exist in the TI extension register set are included in the bridge. The PCI configuration header of the bridge is only accessible from the primary PCI interface.

The bridge provides internal arbitration for the nine possible secondary bus masters, and provides each with a dedicated active-low request/grant pair ($\overline{REQ}/\overline{GNT}$). The arbiter features a two-tier rotational scheme with the PCI2050 bridge defaulting to the highest priority tier.

Upon system power up, power-on self-test (POST) software configures the bridge according to the devices that exist on subordinate buses, and enables performance-enhancing features of the PCI2050. In a typical system, this is the only communication with the bridge internal register set.

3.2 PCI Commands

The bridge responds to PCI bus cycles as a PCI target device based on internal register settings and on the decoding of each address phase. Table 3–1 lists the valid PCI bus cycles and their encoding on the command/byte enable ($\overline{C}/\overline{BE}$) bus during the address phase of a bus cycle.

Table 3–1. PCI Command Definition

$\overline{C}/\overline{BE3}-\overline{C}/\overline{BE0}$	COMMAND
0000	Interrupt acknowledge
0001	Special cycle
0010	I/O read
0011	I/O write
0100	Reserved
0101	Reserved
0110	Memory read
0111	Memory write
1000	Reserved
1001	Reserved
1010	Configuration read
1011	Configuration write
1100	Memory read multiple
1101	Dual address cycle
1110	Memory read line
1111	Memory write and invalidate

The bridge never responds as a PCI target to the interrupt acknowledge, special cycle, or reserved commands. The bridge does, however, initiate special cycles on both interfaces when a type 1 configuration cycle issues the special cycle request. The remaining PCI commands address either memory, I/O, or configuration space. The bridge accepts PCI cycles by asserting \overline{DEVSEL} as a medium-speed device, i.e., \overline{DEVSEL} is asserted two clock cycles after the address phase.

The PCI2050 converts memory write and invalidate commands to memory write commands when forwarding transactions from either the primary or secondary side of the bridge if the bridge cannot guarantee that an entire cache line will be delivered.

3.3 Configuration Cycles

PCI Local Bus Specification defines two types of PCI configuration read and write cycles: type 0 and type 1. The bridge decodes each type differently. Type 0 configuration cycles are intended for devices on the primary bus, while type 1 configuration cycles are intended for devices on some hierarchically subordinate bus. The difference between these two types of cycles is the encoding of the primary PCI (P_AD) bus during the address phase of the cycle. Figure 3–2 shows the P_AD bus encoding during the address phase of a type 0 configuration cycle. The 6-bit register number field represents an 8-bit address with the two lower bits masked to 0, indicating a doubleword boundary. This results in a 256-byte configuration address space per function per device. Individual byte accesses may be selected within a doubleword by using the P_C/\overline{BE} signals during the data phase of the cycle.

31	11	10	8	7	2	1	0
Reserved		Function Number		Register Number		0	0

Figure 3–2. PCI AD31–AD0 During Address Phase of a Type 0 Configuration Cycle

The bridge claims only type 0 configuration cycles when its P_IDSEL terminal is asserted during the address phase of the cycle and the PCI function number encoded in the cycle is 0. If the function number is 1 or greater, then the

bridge does not recognize the configuration command. In this case, the bridge does not assert $\overline{\text{DEVSEL}}$, and the configuration transaction results in a master abort. The bridge services valid type 0 configuration read or write cycles by accessing internal registers from the bridge configuration header (see Table 4–1).

Because type 1 configuration cycles are issued to devices on subordinate buses, the bridge claims type 1 cycles based on the bus number of the destination bus. The P_AD bus encoding during the address phase of a type 1 cycle is shown in Figure 3–3. The device number and bus number fields define the destination bus and device for the cycle.

31	24	23	16	15	11	10	8	7	2	1	0
Reserved		Bus Number			Device Number	Function Number		Register Number	0	1	

Figure 3–3. PCI AD31–AD0 During Address Phase of a Type 1 Configuration Cycle

Several bridge configuration registers shown in Table 4–1 are significant when decoding and claiming type 1 configuration cycles. The destination bus number encoded on the P_AD bus is compared to the values programmed in the bridge configuration registers 18h, 19h, and 1Ah, which are the primary bus number, secondary bus number, and subordinate bus number registers, respectively. These registers default to 00h and are programmed by host software to reflect the bus hierarchy in the system (see Figure 3–4 for an example of a system bus hierarchy and how the PCI2050 bus number registers would be programmed in this case).

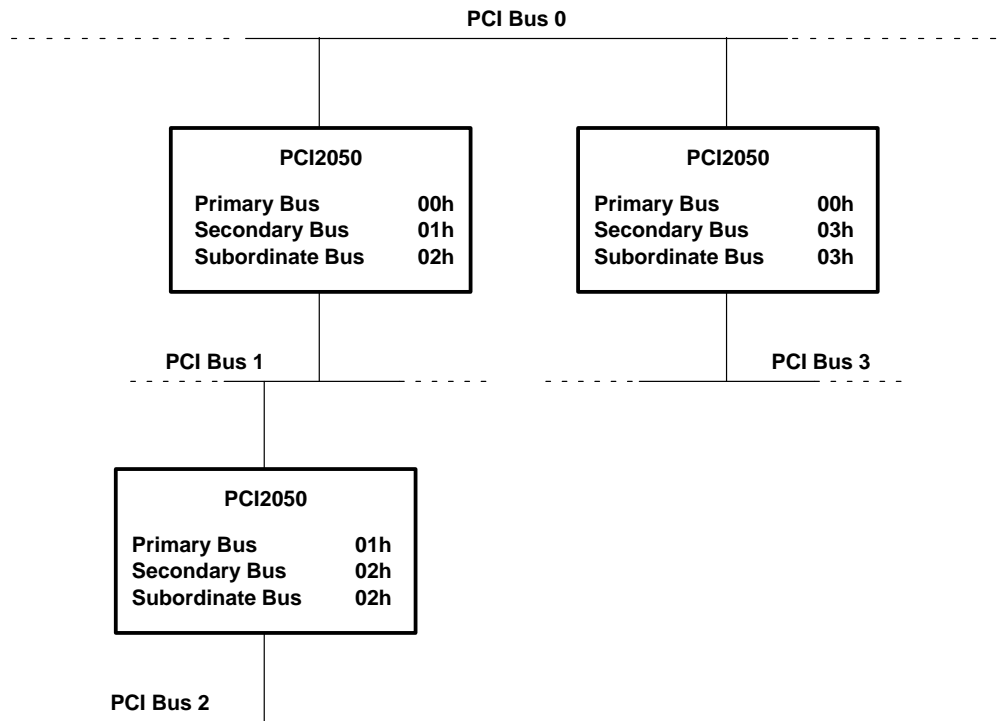


Figure 3–4. Bus Hierarchy and Numbering

When the PCI2050 claims a type 1 configuration cycle that has a bus number equal to its secondary bus number, the PCI2050 converts the type 1 configuration cycle to a type 0 configuration cycle and asserts the proper S_AD line as the IDSEL (see Table 3–2). All other type 1 transactions that access a bus number greater than the bridge secondary bus number but less than or equal to its subordinate bus number are forwarded as type 1 configuration cycles.

Table 3–2. PCI S_AD31–S_AD16 During the Address Phase of a Type 0 Configuration Cycle

DEVICE NUMBER	SECONDARY IDSEL S_AD31–S_AD16	S_AD ASSERTED
0h	0000 0000 0000 0001	16
1h	0000 0000 0000 0010	17
2h	0000 0000 0000 0100	18
3h	0000 0000 0000 1000	19
4h	0000 0000 0001 0000	20
5h	0000 0000 0010 0000	21
6h	0000 0000 0100 0000	22
7h	0000 0000 1000 0000	23
8h	0000 0001 0000 0000	24
9h	0000 0010 0000 0000	25
Ah	0000 0100 0000 0000	26
Bh	0000 1000 0000 0000	27
Ch	0001 0000 0000 0000	28
Dh	0010 0000 0000 0000	29
Eh	0100 0000 0000 0000	30
Fh	1000 0000 0000 0000	31
10h–1Eh	0000 0000 0000 0000	–

3.4 Special Cycle Generation

The bridge is designed to generate special cycles on both buses through a type 1 cycle conversion. During a type 1 configuration cycle, if the bus number field matches the bridge secondary bus number, the device number field is 1Fh, and the function number field is 07h, then the bridge generates a special cycle on the secondary bus with a message that matches the type 1 configuration cycle data. If the bus number is a subordinate bus and not the secondary, then the bridge passes the type 1 special cycle request through to the secondary interface along with the proper message.

Special cycles are never passed through the bridge. Type 1 configuration cycles with a special cycle request can propagate in both directions.

3.5 Secondary Clocks

The PCI2050 provides 10 secondary clock outputs (S_CLKOUT[0:9]). Nine are provided for clocking secondary devices. The tenth clock should be routed back into the PCI2050 S_CLK input to ensure all secondary bus devices see the same clock. Figure 3–5 is a block diagram of the secondary clock function.

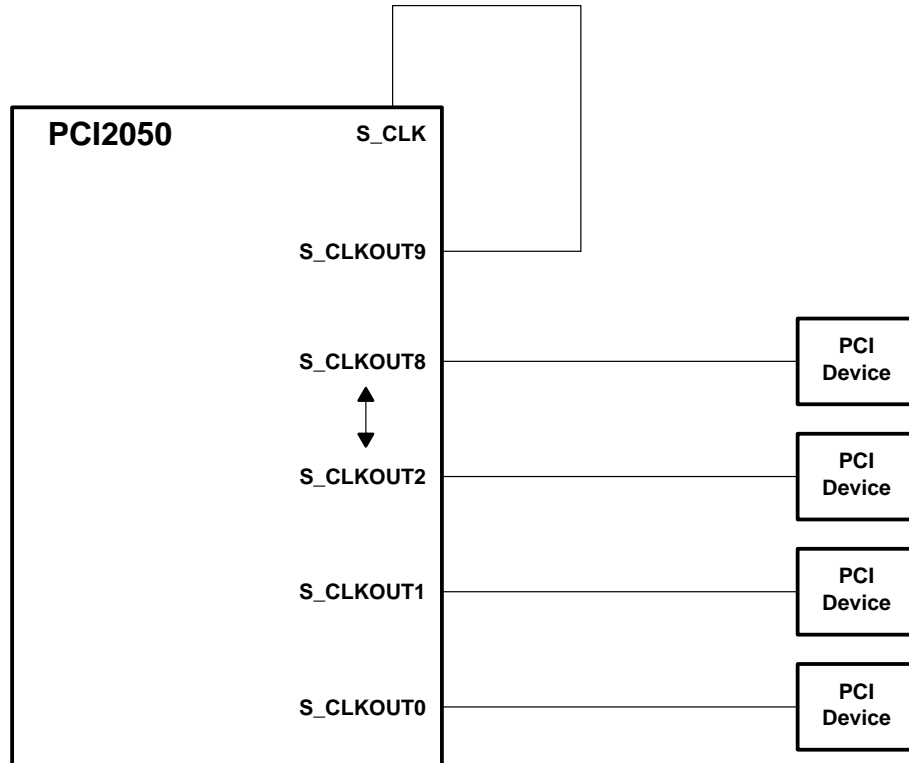


Figure 3-5. Secondary Clock Block Diagram

3.6 Bus Arbitration

The PCI2050 implements bus request ($\overline{P_REQ}$) and bus grant ($\overline{P_GNT}$) terminals for primary PCI bus arbitration. Nine secondary bus requests and nine secondary bus grants are provided on the secondary of the PCI2050. Ten potential initiators, including the bridge, can be located on the secondary bus. The PCI2050 provides a two-tier arbitration scheme on the secondary bus for priority bus-master handling.

The two-tier arbitration scheme improves performance in systems in which master devices do not all require the same bandwidth. Any master that requires frequent use of the bus can be programmed to be in the higher priority tier.

3.6.1 Primary Bus Arbitration

The PCI2050, acting as an initiator on the primary bus, asserts $\overline{P_REQ}$ when forwarding transactions upstream to the primary bus. If a target disconnect, a target retry, or a target abort is received in response to a transaction initiated on the primary bus by the PCI2050, then the device deasserts $\overline{P_REQ}$ for two PCI clock cycles.

When the primary bus arbiter asserts $\overline{P_GNT}$ in response to a $\overline{P_REQ}$ from the PCI2050, the device initiates a transaction on the primary bus during the next PCI clock cycle after the primary bus is sampled idle.

When $\overline{P_REQ}$ is not asserted and the primary bus arbiter asserts $\overline{P_GNT}$ to the PCI2050, the device responds by parking the P_AD31–P_AD0 bus, the C/BE3–C/BE0 bus, and primary parity (P_PAR) by driving them to valid logic levels. If the PCI2050 is parking the primary bus and wants to initiate a transaction on the bus, then it can start the transaction on the next PCI clock by asserting the primary cycle frame ($\overline{P_FRAME}$) while $\overline{P_GNT}$ is still asserted. If $\overline{P_GNT}$ is deasserted, then the bridge must re-arbitrate for the bus to initiate a transaction.

3.6.2 Internal Secondary Bus Arbitration

$\overline{S_CFN}$ controls the state of the secondary internal arbiter. The internal arbiter can be enabled by pulling $\overline{S_CFN}$ low or disabled by pulling $\overline{S_CFN}$ high. The PCI2050 provides nine secondary bus request terminals and nine secondary

bus grant terminals. Including the bridge, there are a total of ten potential secondary bus masters. These request and grant signals are connected to the internal arbiter. When an external arbiter is implemented, $\overline{S_REQ8}$ – $\overline{S_REQ1}$ and $\overline{S_GNT8}$ – $\overline{S_GNT1}$ are placed in a high-impedance mode.

3.6.3 External Secondary Bus Arbitration

An external secondary bus arbiter can be used instead of the PCI2050 internal bus arbiter. When using an external arbiter, the PCI2050 internal arbiter should be disabled by pulling $\overline{S_CFN}$ high.

When an external secondary bus arbiter is used, the PCI2050 internally reconfigures the $\overline{S_REQ0}$ and $\overline{S_GNT0}$ signals so that $\overline{S_REQ0}$ becomes the secondary bus grant for the bridge and $\overline{S_GNT0}$ becomes the secondary bus request for the bridge. This is done because $\overline{S_REQ0}$ is an input and can thus be used to provide the grant input to the bridge, and $\overline{S_GNT0}$ is an output and can thus provide the request output from the bridge.

When an external arbiter is used, all unused secondary bus grant outputs ($\overline{S_GNT8}$ – $\overline{S_GNT1}$) are placed in a high impedance mode. Any unused secondary bus request inputs ($\overline{S_REQ8}$ – $\overline{S_REQ1}$) should be pulled high to prevent the inputs from oscillating.

3.7 Decode Options

The PCI2050 supports positive decoding on the primary interface and negative decoding on the secondary interface. Positive decoding is a method of address decoding in which a device responds only to accesses within an assigned address range. Negative decoding is a method of address decoding in which a device responds only to accesses outside of an assigned address range.

3.8 System Error Handling

The PCI2050 can be configured to signal a system error (\overline{SERR}) for a variety of conditions. The P_SERR event disable register (offset 64h, see Section 5.4) and the P_SERR status register (offset 6Ah, see Section 5.9) provide control and status bits for each condition for which the bridge can signal \overline{SERR} . These individual bits enable \overline{SERR} reporting for both downstream and upstream transactions.

By default, the PCI2050 will not signal \overline{SERR} . If the PCI2050 is configured to signal \overline{SERR} by setting bit 8 in the command register (offset 04h, see Section 4.3), then the bridge signals \overline{SERR} if any of the error conditions in the P_SERR event disable register occur and that condition is enabled. By default, all error conditions are enabled in the P_SERR event disable register. When the bridge signals \overline{SERR} , bit 14 in the secondary status register (offset 1Eh, see Section 4.19) is set.

3.8.1 Posted Write Parity Error

If bit 1 in the P_SERR event disable register (offset 64h, see Section 5.4) is 0, then parity errors on the target bus during a posted write are passed to the initiating bus as a \overline{SERR} . When this occurs, bit 1 of the P_SERR status register (offset 6Ah, see Section 5.9) is set. The status bit is cleared by writing a 1.

3.8.2 Posted Write Time-Out

If bit 2 in the P_SERR event disable register (offset 64h, see Section 5.4) is 0 and the retry timer expires while attempting to complete a posted write, then the PCI2050 signals \overline{SERR} on the initiating bus. When this occurs, bit 2 of the P_SERR status register (offset 6Ah, see Section 5.9) is set. The status bit is cleared by writing a 1.

3.8.3 Target Abort on Posted Writes

If bit 3 in the P_SERR event disable register (offset 64h, see Section 5.4) is 0 and the bridge receives a target abort during a posted write transaction, then the PCI2050 signals \overline{SERR} on the initiating bus. When this occurs, bit 3 of the P_SERR status register (offset 6Ah, see Section 5.9) is set. The status bit is cleared by writing a 1.

3.8.4 Master Abort on Posted Writes

If bit 4 in the P_SERR event disable register (PCI offset 64h, see Section 5.4) is 0 and a posted write transaction results in a master abort, then the PCI2050 signals $\overline{\text{SERR}}$ on the initiating bus. When this occurs, bit 4 of the P_SERR status register (PCI offset 6Ah, see Section 5.9) is set. The status bit is cleared by writing a 1.

3.8.5 Master Delayed Write Time-Out

If bit 5 in the P_SERR event disable register (PCI offset 64h, see Section 5.4) is 0 and the retry timer expires while attempting to complete a delayed write, then the PCI2050 signals $\overline{\text{SERR}}$ on the initiating bus. When this occurs, bit 5 of the P_SERR status register (PCI offset 6Ah, see Section 5.9) is set. The status bit is cleared by writing a 1.

3.8.6 Master Delayed Read Time-Out

If bit 6 in the P_SERR event disable register (offset 64h, see Section 5.4) is 0 and the retry timer expires while attempting to complete a delayed read, then the PCI2050 signals $\overline{\text{SERR}}$ on the initiating bus. When this occurs, bit 6 of the P_SERR status register (offset 6Ah, see Section 5.9) is set. The status bit is cleared by writing a 1.

3.8.7 Secondary $\overline{\text{SERR}}$

The PCI2050 passes $\overline{\text{SERR}}$ from the secondary bus to the primary bus if it is enabled for $\overline{\text{SERR}}$ response, that is, if bit 8 in the command register (PCI offset 04h, see Section 4.3) is set, and if bit 1 in the bridge control register (PCI offset 3Eh, see Section 4.32) is set.

3.9 Parity Handling and Parity Error Reporting

When forwarding transactions, the PCI2050 attempts to pass the data parity condition from one interface to the other unchanged, whenever possible, to allow the master and target devices to handle the error condition.

3.9.1 Address Parity Error

If the parity error response bit (bit 6) in the command register (PCI offset 04h, see Section 4.3) is set, then the PCI2050 signals $\overline{\text{SERR}}$ on address parity errors and target abort transactions.

3.9.2 Data Parity Error

If the parity error response bit (bit 6) in the command register (PCI offset 04h, see Section 4.3) is set, then the PCI2050 signals $\overline{\text{PERR}}$ when it receives bad data. When the bridge detects bad parity, bit 15 (detected parity error) in the status register (PCI offset 06h, see Section 4.4) is set.

If the bridge is configured to respond to parity errors via bit 6 in the command register (PCI offset 04h, see Section 4.3), then bit 8 (data parity error detected) in the status register (PCI offset 06h, see Section 4.4) is set when the bridge detects bad parity. The data parity error detected bit is also set when the bridge, as a bus master, asserts $\overline{\text{PERR}}$ or detects $\overline{\text{PERR}}$.

3.10 Master and Target Abort Handling

If the PCI2050 receives a target abort during a write burst, then it signals target abort back on the initiator bus. If it receives a target abort during a read burst, then it provides all of the valid data on the initiator bus and disconnects. Target aborts for posted and nonposted transactions are reported as specified in the *PCI-to-PCI Bridge Specification*.

Master aborts for posted and nonposted transactions are reported as specified in the *PCI-to-PCI Bridge Specification*. If a transaction is attempted on the primary bus after a secondary reset is asserted, then the PCI2050 follows bit 5 (master abort mode) in the bridge control register (PCI offset 3Eh, see Section 4.32) for reporting errors.

3.11 Discard Timer

The PCI2050 is free to discard the data or status of a delayed transaction that was completed with a delayed transaction termination when a bus master has not repeated the request within 2^{10} or 2^{15} PCI clocks (approximately

30 μ s and 993 μ s, respectively). The *PCI Local Bus Specification* recommends that a bridge wait 2^{15} PCI clocks before discarding the transaction data or status.

The PCI2050 implements a discard timer for use in delayed transactions. After a delayed transaction is completed on the destination bus, the bridge may discard it under two conditions. The first condition occurs when a read transaction is made to a region of memory that is inside a defined prefetchable memory region, or when the command is a memory read line or a memory read multiple, implying that the memory region is prefetchable. The other condition occurs when the master originating the transaction (either a read or a write, prefetchable or nonprefetchable) has not retried the transaction within 2^{10} or 2^{15} clocks. The number of clocks is tracked by a timer referred to as the discard timer. When the discard timer expires, the bridge is required to discard the data. The PCI2050 default value for the discard timer is 2^{15} clocks; however, this value can be set to 2^{10} clocks by setting bit 9 in the bridge control register (offset 3Eh, see Section 4.32). For more information on the discard timer, see *error conditions* in the *PCI Local Bus Specification*.

3.12 Delayed Transactions

The bridge supports delayed transactions as defined in *PCI Local Bus Specification*. A target must be able to complete the initial data phase in 16 PCI clocks or less from the assertion of the cycle frame ($\overline{\text{FRAME}}$), and subsequent data phases must complete in eight PCI clocks or less. A delayed transaction consists of three phases:

- An initiator device issues a request.
- The target completes the request on the destination bus and signals the completion to the initiator.
- The initiator completes the request on the originating bus.

If the bridge is the target of a PCI transaction and it must access a slow device to write or read the requested data, and the transaction takes longer than 16 clocks, then the bridge must latch the address, the command, and the byte enables, and then issue a retry to the initiator. The initiator must end the transaction without any transfer of data and is required to retry the transaction later using the same address, command, and byte enables. This is the first phase of the delayed transaction.

During the second phase, if the transaction is a read cycle, the bridge fetches the requested data on the destination bus, stores it internally, and obtains the completion status, thus completing the transaction on the destination bus. If it is a write transaction, then the bridge writes the data and obtains the completion status, thus completing the transaction on the destination bus. The bridge stores the completion status until the master on the initiating bus retries the initial request.

During the third phase, the initiator rearbiterates for the bus. When the bridge sees the initiator retry the transaction, it compares the second request to the first request. If the address, command, and byte enables match the values latched in the first request, then the completion status (and data if the request was a read) is transferred to the initiator. At this point, the delayed transaction is complete. If the second request from the initiator does not match the first request exactly, then the bridge issues another retry to the initiator.

The PCI supports up to three delayed transactions in each direction at any given time.

3.13 Mode Selection

Table 3–3 shows the mode selection via MS0 (PDV terminal 155, GHK/ZHK terminal E17) and MS1 (PDV terminal 106, GHK/ZHK terminal R17).

Table 3–3. Configuration via MS0 and MS1

MS0	MS1	MODE
0	0	CompactPCI hot-swap friendly <i>PCI Bus Power Management Interface Specification Revision 1.1</i> HSSWITCH/GPIO(3) functions as HSSWITCH
0	1	CompactPCI hot-swap disabled <i>PCI Bus Power Management Interface Specification Revision 1.1</i> HSSWITCH/GPIO(3) functions as GPIO(3)
1	X	Intel™ compatible No cPCI hot swap <i>PCI Bus Power Management Interface Specification Revision 1.0</i>

3.14 CompactPCI Hot-Swap Support

The PCI2050 is hot-swap friendly silicon that supports all of the hot-swap capable features, contains support for software control, and integrates circuitry required by the *PICMG CompactPCI Hot-Swap Specification*. To be hot-swap capable, the PCI2050 supports the following:

- Compliance with *PCI Local Bus Specification*
- Tolerance of V_{CC} from early power
- Asynchronous reset
- Tolerance of precharge voltage
- I/O buffers that meet modified V/I requirements
- Limited I/O terminal voltage at precharge voltage
- Hot-swap control and status programming via extended PCI capabilities linked list
- Hot-swap terminals: $\overline{HS_ENUM}$, $\overline{HS_SWITCH}$, and HS_LED

cPCI hot-swap defines a process for installing and removing PCI boards without adversely affecting a running system. The PCI2050 provides this functionality such that it can be implemented on a board that can be removed and inserted in a hot-swap system.

The PCI2050 provides three terminals to support hot-swap when configured to be in hot-swap mode: $\overline{HS_ENUM}$ (output), $\overline{HS_SWITCH}$ (input), and HS_LED (output). The $\overline{HS_ENUM}$ output indicates to the system that an insertion event occurred or that a removal event is about to occur. The $\overline{HS_SWITCH}$ input indicates the state of a board ejector handle, and the HS_LED output lights a blue LED to signal insertion- and removal-ready status.

3.15 JTAG Support

The PCI2050 implements a JTAG test port based on IEEE Standard 1149.1, *IEEE Standard Test Access Port and Boundary-Scan Architecture*. The JTAG test port consists of the following:

- A 5-wire test access port
- A test access port controller
- An instruction register
- A bypass register
- A boundary-scan register

3.15.1 Test Port Instructions

The PCI2050 supports the following JTAG instructions:

- EXTEST, BYPASS, and SAMPLE
- HIGHZ and CLAMP
- Private (various private instructions used by TI for test purposes)

Table 3–4 lists and describes the different test port instructions, and gives the op code of each one. The information in Table 3–5 is for implementation of boundary scan interface signals to permit in-circuit testing.

Table 3–4. JTAG Instructions and Op Codes

INSTRUCTION	OP CODE	DESCRIPTION
EXTEST	00000	External test: drives terminals from the boundary scan register
SAMPLE	00001	Sample I/O terminals
CLAMP	00100	Drives terminals from the boundary scan register and selects the bypass register for shifts
HIGHZ	00101	Puts all outputs and I/O terminals except for the TDO terminal in a high-impedance state
BYPASS	11111	Selects the bypass register for shifts

Table 3–5. Boundary Scan Terminal Order

BOUNDARY SCAN REGISTER NO.	PDV TERMINAL NUMBER	GHK/ZHK TERMINAL NUMBER	TERMINAL NAME	GROUP DISABLE REGISTER	BOUNDARY-SCAN CELL TYPE
0	137	J15	S_AD0	19	Bidirectional
1	138	H19	S_AD1	19	Bidirectional
2	140	H17	S_AD2	19	Bidirectional
3	141	H14	S_AD3	19	Bidirectional
4	143	G19	S_AD4	19	Bidirectional
5	144	G18	S_AD5	19	Bidirectional
6	146	G14	S_AD6	19	Bidirectional
7	147	F19	S_AD7	19	Bidirectional
8	149	G15	S_C/BE0	19	Bidirectional
9	150	F17	S_AD8	19	Bidirectional
10	152	F14	S_AD9	19	Bidirectional
11	153	E18	S_M66ENA	19	Bidirectional
12	154	F15	S_AD10	19	Bidirectional
13	155	E17	MS0	–	Input
14	158	C15	S_AD11	19	Bidirectional
15	161	B15	S_AD12	19	Bidirectional
16	162	A15	S_AD13	19	Bidirectional
17	164	B14	S_AD14	19	Bidirectional
18	165	E13	S_AD15	19	Bidirectional
19	–	–	–	–	Control

Table 3–5. Boundary Scan Terminal Order (continued)

BOUNDARY SCAN REGISTER NO.	PDV TERMINAL NUMBER	GHK/ZHK TERMINAL NUMBER	TERMINAL NAME	GROUP DISABLE REGISTER	BOUNDARY-SCAN CELL TYPE
20	167	F12	$\overline{S_C/BE1}$	19	Bidirectional
21	168	C13	S_PAR	19	Bidirectional
22	169	B13	$\overline{S_SERR}$	–	Input
23	171	E13	$\overline{S_PERR}$	26	Bidirectional
24	172	C12	$\overline{S_LOCK}$	26	Bidirectional
25	173	B12	$\overline{S_STOP}$	26	Bidirectional
26	–	–	–	–	Control
27	175	A11	$\overline{S_DEVSEL}$	26	Bidirectional
28	176	B11	$\overline{S_TRDY}$	26	Bidirectional
29	177	C11	$\overline{S_IRDY}$	26	Bidirectional
30	179	F11	$\overline{S_FRAME}$	26	Bidirectional
31	180	A10	$\overline{S_C/BE2}$	48	Bidirectional
32	182	C10	S_AD16	48	Bidirectional
33	183	E10	S_AD17	48	Bidirectional
34	185	A9	S_AD18	48	Bidirectional
35	186	B9	S_AD19	48	Bidirectional
36	188	F9	S_AD20	48	Bidirectional
37	189	E9	S_AD21	48	Bidirectional
38	191	B8	S_AD22	48	Bidirectional
39	192	C8	S_AD23	48	Bidirectional
40	194	E8	$\overline{S_C/BE3}$	48	Bidirectional
41	195	A7	S_AD24	48	Bidirectional
42	197	C7	S_AD25	48	Bidirectional
43	198	F7	S_AD26	48	Bidirectional
44	200	B6	S_AD27	48	Bidirectional
45	201	E7	S_AD28	48	Bidirectional
46	203	A5	S_AD29	48	Bidirectional
47	204	F6	S_AD30	48	Bidirectional
48	–	–	–	–	Control
49	206	E6	$\overline{S_AD31}$	48	Bidirectional
50	207	C5	$\overline{S_REQ0}$	–	Input
51	2	E3	$\overline{S_REQ1}$	–	Input
52	3	F5	$\overline{S_REQ2}$	–	Input
53	4	G6	$\overline{S_REQ3}$	–	Input
54	5	E2	$\overline{S_REQ4}$	–	Input
55	6	E1	$\overline{S_REQ5}$	–	Input
56	7	F3	$\overline{S_REQ6}$	–	Input
57	8	F2	$\overline{S_REQ7}$	–	Input
58	9	G5	$\overline{S_REQ8}$	–	Input
59	10	F1	$\overline{S_GNT0}$	61	Output
60	11	H6	$\overline{S_GNT1}$	61	Output
61	–	–	–	–	Control

Table 3–5. Boundary Scan Terminal Order (continued)

BOUNDARY SCAN REGISTER NO.	PDV TERMINAL NUMBER	GHK/ZHK TERMINAL NUMBER	TERMINAL NAME	GROUP DISABLE REGISTER	BOUNDARY-SCAN CELL TYPE
62	13	G2	$\overline{S_GNT2}$	61	Output
63	14	G1	$\overline{S_GNT3}$	61	Output
64	15	H5	$\overline{S_GNT4}$	61	Output
65	16	H3	$\overline{S_GNT5}$	61	Output
66	17	H2	$\overline{S_GNT6}$	61	Output
67	18	H1	$\overline{S_GNT7}$	61	Output
68	19	J1	$\overline{S_GNT8}$	61	Output
69	21	J3	S_CLK	–	Input
70	22	J5	$\overline{S_RST}$	78	Output
71	23	J6	$\overline{S_CFN}$	–	Input
72	24	K1	GPIO3	78	Bidirectional
73	25	K2	GPIO2	78	Bidirectional
74	27	K5	GPIO1	78	Bidirectional
75	28	K6	GPIO0	78	Bidirectional
76	29	L1	S_CLKOUT0	–	Output
77	30	L2	S_CLKOUT1	–	Output
78	–	–	–	–	Output
79	32	L6	S_CLKOUT2	–	Output
80	33	L5	S_CLKOUT3	–	Output
81	35	M2	S_CLKOUT4	–	Output
82	36	M3	S_CLKOUT5	–	Output
83	38	M5	S_CLKOUT6	–	Output
84	39	N1	S_CLKOUT7	–	Output
85	41	N3	S_CLKOUT8	–	Output
86	42	N6	S_CLKOUT9	–	Output
87	43	P1	$\overline{P_RST}$	–	Input
88	44	P2	BPCCE	–	Input
89	45	N5	P_CLK	–	Input
90	46	P3	$\overline{P_GNT}$	–	Input
91	47	R1	$\overline{P_REQ}$	92	Output
92	–	–	–	–	Control
93	49	R2	P_AD31	111	Bidirectional
94	50	P5	P_AD30	111	Bidirectional
95	55	R6	P_AD29	111	Bidirectional
96	57	V5	P_AD28	111	Bidirectional
97	58	W5	P_AD27	111	Bidirectional
98	60	V6	P_AD26	111	Bidirectional
99	61	R7	P_AD25	111	Bidirectional
100	63	W6	P_AD24	111	Bidirectional
101	64	U7	$\overline{P_C/BE3}$	111	Bidirectional
102	65	V7	P_IDSEL	–	Input
103	67	R8	P_AD23	111	Bidirectional
104	68	U8	P_AD22	111	Bidirectional

Table 3–5. Boundary Scan Terminal Order (continued)

BOUNDARY SCAN REGISTER NO.	PDV TERMINAL NUMBER	GHK/ZHK TERMINAL NUMBER	TERMINAL NAME	GROUP DISABLE REGISTER	BOUNDARY-SCAN CELL TYPE
105	70	W8	P_AD21	111	Bidirectional
106	71	W9	P_AD20	111	Bidirectional
107	73	U9	P_AD19	111	Bidirectional
108	74	R9	P_AD18	111	Bidirectional
109	76	W10	P_AD17	111	Bidirectional
110	77	V10	P_AD16	111	Bidirectional
111	–	–	–	–	Control
112	79	R10	P_C/BE2	111	Bidirectional
113	80	P10	P_FRAME	118	Bidirectional
114	82	V11	P_IRDY	118	Bidirectional
115	83	U11	P_TRDY	118	Bidirectional
116	84	P11	P_DEVSEL	118	Bidirectional
117	85	R11	P_STOP	118	Bidirectional
118	–	–	–	–	Control
119	87	V12	P_LOCK	118	Input
120	88	U12	P_PERR	118	Bidirectional
121	89	P12	P_SERR	142	Output
122	90	R12	P_PAR	142	Bidirectional
123	92	V13	P_C/BE1	142	Bidirectional
124	93	U13	P_AD15	142	Bidirectional
125	95	W14	P_AD14	142	Bidirectional
126	96	V14	P_AD13	142	Bidirectional
127	98	U14	P_AD12	142	Bidirectional
128	99	W15	P_AD11	142	Bidirectional
129	101	V15	P_AD10	142	Bidirectional
130	106	R17	MS1	–	Input
131	107	P15	P_AD9	142	Bidirectional
132	109	R18	P_AD8	142	Bidirectional
133	110	R19	P_C/BE0	142	Bidirectional
134	112	P18	P_AD7	142	Bidirectional
135	113	N15	P_AD6	142	Bidirectional
136	115	M14	P_AD5	142	Bidirectional
137	116	N17	P_AD4	142	Bidirectional
138	118	N19	P_AD3	142	Bidirectional
139	119	M15	P_AD2	142	Bidirectional
140	121	M18	P_AD1	142	Bidirectional
141	122	M19	P_AD0	142	Bidirectional
142	–	–	–	–	–
143	126	L15	MSK_IN	–	Input
144	–	–	–	–	Control
145	127	L14	HS_ENUM	144	Output
146	128	K19	HS_LED	144	Output

3.16 GPIO Interface

The PCI2050 implements a four-terminal general-purpose I/O interface. Besides functioning as a general-purpose I/O interface, the GPIO terminals can be used to read in the secondary clock mask and to stop the bridge from accepting I/O and memory transactions.

3.16.1 Secondary Clock Mask

The PCI2050 uses GPIO0, GPIO2, and MSK_IN to shift in the secondary clock mask from an external shift register. A secondary clock mask timing diagram is shown in Figure 3–6. Table 3–6 lists the format for clock mask data.

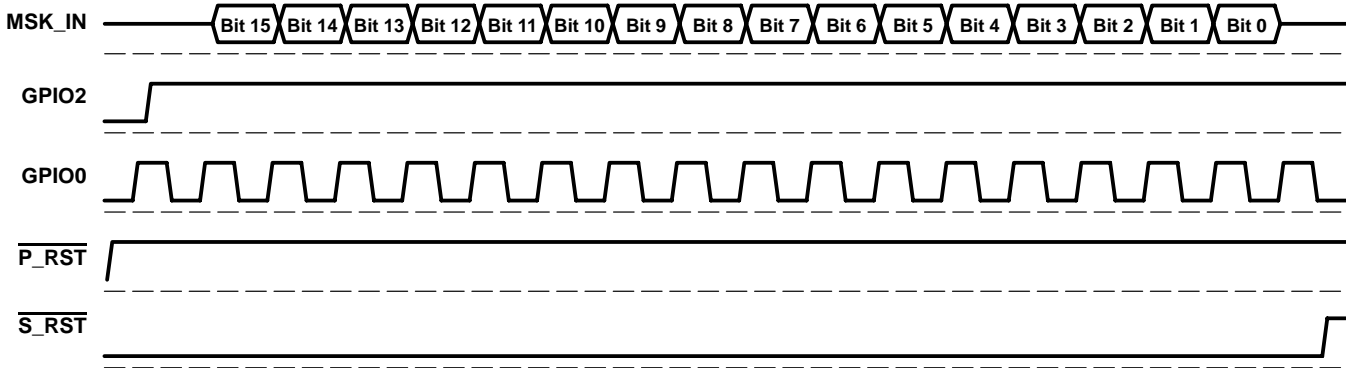


Figure 3–6. Clock Mask Read Timing After Reset

Table 3–6. Clock Mask Data Format

BIT	CLOCK
[0:1]	S_CLKOUT0
[2:3]	S_CLKOUT1
[4:5]	S_CLKOUT2
[6:7]	S_CLKOUT3
8	S_CLKOUT4
9	S_CLKOUT5
10	S_CLKOUT6
11	S_CLKOUT7
12	S_CLKOUT8
13	S_CLKOUT9 (PCI2050 S_CLK input)
[14:15]	Reserved

3.16.2 Transaction Forwarding Control

The PCI 2050 will stop forwarding I/O and memory transactions if bit 5 of the chip control register (offset 40h, see Section 5.1) is set to 1 and GPIO3 is driven high. The bridge will complete all queued posted writes and delayed requests, but delayed completions will not be returned until GPIO3 is driven low and transaction forwarding is resumed. The bridge will continue to accept configuration cycles in this mode. This feature is not available when CompactPCI hot-swap mode because GPIO3 is used as the HS_SWITCH input in this mode.

3.17 PCI Power Management

The *PCI Power Management Specification* establishes the infrastructure required to let the operating system control the power of PCI functions. This is done by defining a standard PCI interface and operations to manage the power of PCI functions on the bus. The PCI bus and the PCI functions can be assigned one of four software visible power management states, which result in varying levels of power savings.

The four power management states of PCI functions are D0—fully on state, D1 and D2—intermediate states, and D3—off state. Similarly, bus power states of the PCI bus are B0–B3. The bus power states B0–B3 are derived from the device power state of the originating PCI2050 device.

For the operating system to manage the device power states on the PCI bus, the PCI function supports four power management operations:

- Capabilities reporting
- Power status reporting
- Setting the power state
- System wake-up

The operating system identifies the capabilities of the PCI function by traversing the new capabilities list. The presence of the new capabilities list is indicated by a bit in the status register (offset 06h, see Section 4.4) which provides access to the capabilities list.

3.17.1 Behavior in Low-Power States

The PCI2050 supports D0, D1, D2, and D3_{hot} power states when in TI mode. The PCI2050 only supports D0 and D3 power states when in Intel mode. The PCI2050 is fully functional only in D0 state. In the lower power states, the bridge does not accept any memory or I/O transactions. These transactions are aborted by the master. The bridge accepts type 0 configuration cycles in all power states except D3_{cold}. The bridge also accepts type 1 configuration cycles but does not pass these cycles to the secondary bus in any of the lower power states. Type 1 configuration writes are discarded and reads return all 1s. All error reporting is done in the low power states. When in D2 and D3_{hot} states, the bridge turns off all secondary clocks for further power savings.

When going from D3_{hot} to D0, an internal reset is generated. This reset initializes all PCI configuration registers to their default values. The TI specific registers (40h – FFh) are not reset. Power management registers also are not reset.

4 Bridge Configuration Header

The PCI2050 bridge is a single-function PCI device. The configuration header is in compliance with the *PCI-to-PCI Bridge Specification 1.1*. Table 4–1 shows the PCI configuration header, which includes the predefined portion of the bridge configuration space. The PCI configuration offset is shown in the right column under the OFFSET heading.

Table 4–1. Bridge Configuration Header

REGISTER NAME				OFFSET
Device ID		Vendor ID		00h
Status		Command		04h
Class code			Revision ID	08h
BIST	Header type	Primary latency timer	Cache line size	0Ch
Base address 0				10h
Base address 1				14h
Secondary bus latency timer	Subordinate bus number	Secondary bus number	Primary bus number	18h
Secondary status		I/O limit	I/O base	1Ch
Memory limit		Memory base		20h
Prefetchable memory limit		Prefetchable memory base		24h
Prefetchable base upper 32 bits				28h
Prefetchable limit upper 32 bits				2Ch
I/O limit upper 16 bits		I/O base upper 16 bits		30h
Reserved			Capability pointer	34h
Expansion ROM base address				38h
Bridge control		Interrupt pin	Interrupt line	3Ch
Arbiter control		Extended diagnostic	Chip control	40h
Reserved				44h–60h
GPIO input data	GPIO output enable	GPIO output data	P_SERR event disable	64h
Reserved	P_SERR status	Secondary clock control		68h
Reserved				6Ch–D8h
Power management capabilities		PM next item pointer	PM capability ID	DCh
Data	PMCSR bridge support	Power management control/status		E0h
Reserved	Hot swap control status	HS next item pointer	HS capability ID	E4h
Reserved				E8h–FFh

4.1 Vendor ID Register

This 16-bit value is allocated by the PCI Special Interest Group (SIG) and identifies TI as the manufacturer of this device. The vendor ID assigned to TI is 104Ch.

Bit	15	14	13	12	11	10	9	8	7	6	5	4	3	2	1	0
Name	Vendor ID															
Type	R	R	R	R	R	R	R	R	R	R	R	R	R	R	R	R
Default	0	0	0	1	0	0	0	0	0	1	0	0	1	1	0	0

Register: **Vendor ID**
 Type: Read-only
 Offset: 00h
 Default: 104Ch

4.2 Device ID Register

This 16-bit value is allocated by the vendor and identifies the PCI device. The device ID for the PCI2050 is AC28h.

Bit	15	14	13	12	11	10	9	8	7	6	5	4	3	2	1	0
Name	Device ID															
Type	R	R	R	R	R	R	R	R	R	R	R	R	R	R	R	R
Default	1	0	1	0	1	1	0	0	0	0	1	0	1	0	0	0

Register: **Device ID**
 Type: Read-only
 Offset: 02h
 Default: AC28h

4.3 Command Register

The command register provides control over the bridge interface to the primary PCI bus. VGA palette snooping is enabled through this register, and all other bits adhere to the definitions in the *PCI Local Bus Specification*. Table 4–2 describes the bit functions in the command register.

Bit	15	14	13	12	11	10	9	8	7	6	5	4	3	2	1	0
Name	Command															
Type	R	R	R	R	R	R	R/W	R/W	R	R/W	R/W	R	R	R/W	R/W	R/W
Default	0	0	0	0	0	0	0	0	0	0	0	0	0	0	0	0

Register: **Command**
 Type: Read-only, Read/Write
 Offset: 04h
 Default: 0000h

Table 4–2. Command Register Description

BIT	TYPE	FUNCTION
15–10	R	Reserved
9	R/W	Fast back-to-back enable. This bit defaults to 0.
8	R/W	System error (<u>SERR</u>) enable. Bit 8 controls the enable for the <u>SERR</u> driver on the primary interface. 0 = Disable <u>SERR</u> driver on primary interface (default) 1 = Enable the <u>SERR</u> driver on primary interface
7	R	Wait cycle control. Bit 7 controls address/data stepping by the bridge on both interfaces. The bridge does not support address/data stepping and this bit is hardwired to 0.
6	R/W	Parity error response enable. Bit 6 controls the bridge response to parity errors. 0 = Parity error response disabled (default) 1 = Parity error response enabled
5	R/W	VGA palette snoop enable. When set, the bridge passes I/O writes on the primary PCI bus with addresses 3C6h, 3C8h, and 3C9h inclusive of ISA aliases (that is, only bits AD9–AD0 are included in the decode).
4	R	Memory write and invalidate enable. In a PCI-to-PCI bridge, bit 4 must be read-only and return 0 when read.
3	R	Special cycle enable. A PCI-to-PCI bridge cannot respond as a target to special cycle transactions, so bit 3 is defined as read-only and must return 0 when read.
2	R/W	Bus master enable. Bit 2 controls the ability of the bridge to initiate a cycle on the primary PCI bus. When bit 2 is 0, the bridge does not respond to any memory or I/O transactions on the secondary interface since they cannot be forwarded to the primary PCI bus. 0 = Bus master capability disabled (default) 1 = Bus master capability enabled
1	R/W	Memory space enable. Bit 1 controls the bridge response to memory accesses for both prefetchable and nonprefetchable memory spaces on the primary PCI bus. Only when bit 1 is set will the bridge forward memory accesses to the secondary bus from a primary bus initiator. 0 = Memory space disabled (default) 1 = Memory space enabled
0	R/W	I/O space enable. Bit 0 controls the bridge response to I/O accesses on the primary interface. Only when bit 0 is set will the bridge forward I/O accesses to the secondary bus from a primary bus initiator. 0 = I/O space disabled (default) 1 = I/O space enabled

4.4 Status Register

The status register provides device information to the host system. Bits in this register are cleared by writing a 1 to the respective bit; writing a 0 to a bit location has no effect. Table 4–3 describes the status register.

Bit	15	14	13	12	11	10	9	8	7	6	5	4	3	2	1	0
Name	Status															
Type	R/W	R/W	R/W	R/W	R/W	R	R	R/W	R	R	R	R	R	R	R	R
Default	0	0	0	0	0	0	1	0	1	0	0	1	0	0	0	0

Register: **Status**
 Type: Read-only, Read/Write
 Offset: 06h
 Default: 0290h

Table 4–3. Status Register Description

BIT	TYPE	FUNCTION
15	R/W	Detected parity error. Bit 15 is set when a parity error is detected.
14	R/W	Signaled system error (<u>SERR</u>). Bit 14 is set if <u>SERR</u> is enabled in the command register (offset 04h, see Section 4.3, <i>Command Register</i>) and the bridge signals a system error (SERR). See Section 3.8, <i>System Error Handling</i> . 0 = No SERR signaled (default) 1 = Signals SERR
13	R/W	Received master abort. Bit 13 is set when a cycle initiated by the bridge on the primary bus has been terminated by a master abort. 0 = No master abort received (default) 1 = Master abort received
12	R/W	Received target abort. Bit 12 is set when a cycle initiated by the bridge on the primary bus has been terminated by a target abort. 0 = No target abort received (default) 1 = Target abort received
11	R/W	Signaled target abort. Bit 11 is set by the bridge when it terminates a transaction on the primary bus with a target abort. 0 = No target abort signaled by the bridge (default) 1 = Target abort signaled by the bridge
10–9	R	DEVSEL timing. These read-only bits encode the timing of <u>P_DEVSEL</u> and are hardwired 01b, indicating that the bridge asserts this signal at a medium speed.
8	R/W	Data parity error detected. Bit 8 is encoded as: 0 = The conditions for setting this bit have not been met. No parity error detected. (default) 1 = A <u>data parity</u> error occurred and the following conditions were met: a. <u>P_PERR</u> was asserted by any PCI device including the bridge. b. The bridge was the bus master during the data parity error. c. The parity error response bit (bit 6) was set in the command register (offset 04h, see Section 4.3).
7	R	Fast back-to-back capable. The bridge supports fast back-to-back transactions as a target; therefore, bit 7 is hardwired to 1.
6	R	User-definable feature (UDF) support. The PCI2050 does not support the user-definable features; therefore, bit 6 is hardwired to 0.
5	R	66-MHz capable. The PCI2050 operates at a maximum <u>P_CLK</u> frequency of 33 MHz; therefore, bit 5 is hardwired to 0.
4	R	Capabilities list. Bit 4 is read-only and is hardwired to 1, indicating that capabilities additional to standard PCI are implemented. The linked list of PCI power management capabilities is implemented by this function.
3–0	R	Reserved. Bits 3–0 return 0s when read.

4.5 Revision ID Register

The revision ID register indicates the silicon revision of the PCI2050.

Bit	7	6	5	4	3	2	1	0
Name	Revision ID							
Type	R	R	R	R	R	R	R	R
Default	0	0	0	0	0	0	0	0

Register: **Revision ID**
 Type: Read-only
 Offset: 08h
 Default: 00h (reflects the current revision of the silicon)

4.6 Class Code Register

This register categorizes the PCI2050 as a PCI-to-PCI bridge device (0604h) with a 00h programming interface.

Bit	23	22	21	20	19	18	17	16	15	14	13	12	11	10	9	8	7	6	5	4	3	2	1	0	
Name	Class code																								
	Base class								Sub class								Programming interface								
Type	R	R	R	R	R	R	R	R	R	R	R	R	R	R	R	R	R	R	R	R	R	R	R	R	R
Default	0	0	0	0	0	1	1	0	0	0	0	0	0	1	0	0	0	0	0	0	0	0	0	0	0

Register: **Class code**
 Type: Read-only
 Offset: 09h
 Default: 06 0400h

4.7 Cache Line Size Register

The cache line size register is programmed by host software to indicate the system cache line size needed by the bridge for memory read line, memory read multiple, and memory write and invalidate transactions. The PCI2050 supports cache line sizes up to and including 16 doublewords for memory write and invalidate. If the cache line size is larger than 16 doublewords, the command is converted to a memory write command.

Bit	7	6	5	4	3	2	1	0
Name	Cache line size							
Type	R/W	R/W	R/W	R/W	R/W	R/W	R/W	R/W
Default	0	0	0	0	0	0	0	0

Register: **Cache line size**
 Type: Read/Write
 Offset: 0Ch
 Default: 00h

4.8 Primary Latency Timer Register

The latency timer register specifies the latency timer for the bridge in units of PCI clock cycles. When the bridge is a primary PCI bus initiator and asserts $\overline{P_FRAME}$, the latency timer begins counting from 0. If the latency timer expires before the bridge transaction has terminated, then the bridge terminates the transaction when its $\overline{P_GNT}$ is deasserted.

Bit	7	6	5	4	3	2	1	0
Name	Latency timer							
Type	R/W	R/W	R/W	R/W	R/W	R/W	R/W	R/W
Default	0	0	0	0	0	0	0	0

Register: **Latency timer**
 Type: Read/Write
 Offset: 0Dh
 Default: 00h

4.9 Header Type Register

The header type register is read-only and returns 01h when read, indicating that the PCI2050 configuration space adheres to the PCI-to-PCI bridge configuration. Only the layout for bytes 10h–3Fh of configuration space is considered.

Bit	7	6	5	4	3	2	1	0
Name	Header type							
Type	R	R	R	R	R	R	R	R
Default	0	0	0	0	0	0	0	1

Register: **Header type**
 Type: Read-only
 Offset: 0Eh
 Default: 01h

4.10 BIST Register

The PCI2050 does not support built-in self test (BIST). The BIST register is read-only and returns the value 00h when read.

Bit	7	6	5	4	3	2	1	0
Name	BIST							
Type	R	R	R	R	R	R	R	R
Default	0	0	0	0	0	0	0	0

Register: **BIST**
 Type: Read-only
 Offset: 0Fh
 Default: 00h

4.11 Base Address Register 0

The bridge requires no additional resources. Base address register 0 is read-only and returns 0s when read.

Bit	31	30	29	28	27	26	25	24	23	22	21	20	19	18	17	16
Name	Base address register 0															
Type	R	R	R	R	R	R	R	R	R	R	R	R	R	R	R	R
Default	0	0	0	0	0	0	0	0	0	0	0	0	0	0	0	0
Bit	15	14	13	12	11	10	9	8	7	6	5	4	3	2	1	0
Name	Base address register 0															
Type	R	R	R	R	R	R	R	R	R	R	R	R	R	R	R	R
Default	0	0	0	0	0	0	0	0	0	0	0	0	0	0	0	0

Register: **Base address register 0**
 Type: Read-only
 Offset: 10h
 Default: 0000 0000h

4.12 Base Address Register 1

The bridge requires no additional resources. Base address register 1 is read-only and returns 0s when read.

Bit	31	30	29	28	27	26	25	24	23	22	21	20	19	18	17	16
Name	Base address register 1															
Type	R	R	R	R	R	R	R	R	R	R	R	R	R	R	R	R
Default	0	0	0	0	0	0	0	0	0	0	0	0	0	0	0	0
Bit	15	14	13	12	11	10	9	8	7	6	5	4	3	2	1	0
Name	Base address register 1															
Type	R	R	R	R	R	R	R	R	R	R	R	R	R	R	R	R
Default	0	0	0	0	0	0	0	0	0	0	0	0	0	0	0	0

Register: **Base address register 1**
 Type: Read-only
 Offset: 14h
 Default: 0000 0000h

4.13 Primary Bus Number Register

The primary bus number register indicates the primary bus number to which the bridge is connected. The bridge uses this register, in conjunction with the secondary bus number and subordinate bus number registers, to determine when to forward PCI configuration cycles to the secondary buses.

Bit	7	6	5	4	3	2	1	0
Name	Primary bus number							
Type	R/W	R/W	R/W	R/W	R/W	R/W	R/W	R/W
Default	0	0	0	0	0	0	0	0

Register: **Primary bus number**
 Type: Read/Write
 Offset: 18h
 Default: 00h

4.14 Secondary Bus Number Register

The secondary bus number register indicates the secondary bus number to which the bridge is connected. The PCI2050 uses this register, in conjunction with the primary bus number and subordinate bus number registers, to determine when to forward PCI configuration cycles to the secondary buses. Configuration cycles directed to the secondary bus are converted to type 0 configuration cycles.

Bit	7	6	5	4	3	2	1	0
Name	Secondary bus number							
Type	R/W	R/W	R/W	R/W	R/W	R/W	R/W	R/W
Default	0	0	0	0	0	0	0	0

Register: **Secondary bus number**
 Type: Read/Write
 Offset: 19h
 Default: 00h

4.15 Subordinate Bus Number Register

The subordinate bus number register indicates the bus number of the highest numbered bus beyond the primary bus existing behind the bridge. The PCI2050 uses this register, in conjunction with the primary bus number and secondary bus number registers, to determine when to forward PCI configuration cycles to the subordinate buses. Configuration cycles directed to a subordinate bus (not the secondary bus) remain type 1 cycles as the cycle crosses the bridge.

Bit	7	6	5	4	3	2	1	0
Name	Subordinate bus number							
Type	R/W	R/W	R/W	R/W	R/W	R/W	R/W	R/W
Default	0	0	0	0	0	0	0	0

Register: **Subordinate bus number**
 Type: Read/write
 Offset: 1Ah
 Default: 00h

4.16 Secondary Bus Latency Timer Register

The secondary bus latency timer specifies the latency time for the bridge in units of PCI clock cycles. When the bridge is a secondary PCI bus initiator and asserts $\overline{S_FRAME}$, the latency timer begins counting from 0. If the latency timer expires before the bridge transaction has terminated, then the bridge terminates the transaction when its $\overline{S_GNT}$ is deasserted. The PCI-to-PCI bridge $\overline{S_GNT}$ is an internal signal and is removed when another secondary bus master arbitrates for the bus.

Bit	7	6	5	4	3	2	1	0
Name	Secondary bus latency timer							
Type	R/W	R/W	R/W	R/W	R/W	R/W	R/W	R/W
Default	0	0	0	0	0	0	0	0

Register: **Secondary bus latency timer**
 Type: Read/Write
 Offset: 1Bh
 Default: 00h

4.17 I/O Base Register

The I/O base register is used in decoding I/O addresses to pass through the bridge. The bridge supports 32-bit I/O addressing; thus, bits 3–0 are read-only and default to 0001b. The upper four bits are writable and correspond to address bits AD15–AD12. The lower 12 address bits of the I/O base address are considered 0. Thus, the bottom of the defined I/O address range is aligned on a 4K-byte boundary. The upper 16 address bits of the 32-bit I/O base address corresponds to the contents of the I/O base upper 16 bits register (offset 30h, see Section 4.26).

Bit	7	6	5	4	3	2	1	0
Name	I/O base							
Type	R/W	R/W	R/W	R/W	R	R	R	R
Default	0	0	0	0	0	0	0	1

Register: **I/O base**
 Type: Read-only, Read/Write
 Offset: 1Ch
 Default: 01h

4.18 I/O Limit Register

The I/O limit register is used in decoding I/O addresses to pass through the bridge. The bridge supports 32-bit I/O addressing; thus, bits 3–0 are read-only and default to 0001b. The upper four bits are writable and correspond to address bits AD15–AD12. The lower 12 address bits of the I/O limit address are considered FFFh. Thus, the top of the defined I/O address range is aligned on a 4K-byte boundary. The upper 16 address bits of the 32-bit I/O limit address corresponds to the contents of the I/O limit upper 16 bits register (offset 32h, see Section 4.27).

Bit	7	6	5	4	3	2	1	0
Name	I/O limit							
Type	R/W	R/W	R/W	R/W	R	R	R	R
Default	0	0	0	0	0	0	0	1

Register: **I/O limit**
 Type: Read-only, Read/Write
 Offset: 1Dh
 Default: 01h

4.19 Secondary Status Register

The secondary status register is similar in function to the status register (offset 06h, see Section 4.4); however, its bits reflect status conditions of the secondary interface. Bits in this register are cleared by writing a 1 to the respective bit.

Bit	15	14	13	12	11	10	9	8	7	6	5	4	3	2	1	0
Name	Secondary status															
Type	R/W	R/W	R/W	R/W	R/W	R	R	R/W	R	R	R	R	R	R	R	R
Default	0	0	0	0	0	0	1	0	1	0	0	0	0	0	0	0

Register: **Secondary status**
 Type: Read-only, Read/Write
 Offset: 1Eh
 Default: 0280h

Table 4–4. Secondary Status Register Description

BIT	TYPE	FUNCTION
15	R/W	Detected parity error. Bit 15 is set when a parity error is detected on the secondary interface. 0 = No parity error detected on the secondary bus (default) 1 = Parity error detected on the secondary bus
14	R/W	Received system error. Bit 14 is set when the secondary interface detects $\overline{S_SERR}$ asserted. Note that the bridge never asserts $\overline{S_SERR}$. 0 = No $\overline{S_SERR}$ detected on the secondary bus (default) 1 = $\overline{S_SERR}$ detected on the secondary bus
13	R/W	Received master abort. Bit 13 is set when a cycle initiated by the bridge on the secondary bus has been terminated by a master abort. 0 = No master abort received (default) 1 = Bridge master aborted the cycle
12	R/W	Received target abort. Bit 12 is set when a cycle initiated by the bridge on the secondary bus has been terminated by a target abort. 0 = No target abort received (default) 1 = Bridge received a target abort
11	R/W	Signaled target abort. Bit 11 is set by the bridge when it terminates a transaction on the secondary bus with a target abort. 0 = No target abort signaled (default) 1 = Bridge signaled a target abort
10–9	R	DEVSEL timing. These read-only bits encode the timing of $\overline{S_DEVSEL}$ and are hardwired to 01b, indicating that the bridge asserts this signal at a medium speed.
8	R/W	Data parity error detected. 0 = The conditions for setting this bit have not been met 1 = A data parity error occurred and the following conditions were met: a. $\overline{S_PERR}$ was asserted by any PCI device including the bridge. b. The bridge was the bus master during the data parity error. c. The parity error response bit (bit 1) was set in the bridge control register (offset 3Eh, see Section 4.32).
7	R	Fast back-to-back capable. Bit 7 is hardwired to 1.
6	R	User-definable feature (UDF) support. Bit 6 is hardwired to 0.
5	R	66-MHz capable. Bit 5 is hardwired to 0.
4–0	R	Reserved. Bits 4–0 return 0s when read.

4.20 Memory Base Register

The memory base register defines the base address of a memory-mapped I/O address range used by the bridge to determine when to forward memory transactions from one interface to the other. The upper 12 bits of this register are read/write and correspond to the address bits AD31–AD20. The lower 20 address bits are considered 0s; thus, the address range is aligned to a 1M-byte boundary. The bottom four bits are read-only and return 0s when read.

Bit	15	14	13	12	11	10	9	8	7	6	5	4	3	2	1	0
Name	Memory base															
Type	R/W	R/W	R/W	R/W	R/W	R/W	R/W	R/W	R/W	R/W	R/W	R/W	R	R	R	R
Default	0	0	0	0	0	0	0	0	0	0	0	0	0	0	0	0

Register: **Memory base**
 Type: Read-only, Read/Write
 Offset: 20h
 Default: 0000h

4.21 Memory Limit Register

The memory limit register defines the upper-limit address of a memory-mapped I/O address range used to determine when to forward memory transactions from one interface to the other. The upper 12 bits of this register are read/write and correspond to the address bits AD31–AD20. The lower 20 address bits are considered 1s; thus, the address range is aligned to a 1M-byte boundary. The bottom four bits are read-only and return 0s when read.

Bit	15	14	13	12	11	10	9	8	7	6	5	4	3	2	1	0
Name	Memory limit															
Type	R/W	R/W	R/W	R/W	R/W	R/W	R/W	R/W	R/W	R/W	R/W	R/W	R	R	R	R
Default	0	0	0	0	0	0	0	0	0	0	0	0	0	0	0	0

Register: **Memory limit**
 Type: Read-only, Read/Write
 Offset: 22h
 Default: 0000h

4.22 Prefetchable Memory Base Register

The prefetchable memory base register defines the base address of a prefetchable memory address range used by the bridge to determine when to forward memory transactions from one interface to the other. The upper 12 bits of this register are read/write and correspond to the address bits AD31–AD20. The lower 20 address bits are considered 0; thus, the address range is aligned to a 1M-byte boundary. The bottom four bits are read-only and return 0s when read.

Bit	15	14	13	12	11	10	9	8	7	6	5	4	3	2	1	0
Name	Prefetchable memory base															
Type	R/W	R/W	R/W	R/W	R/W	R/W	R/W	R/W	R/W	R/W	R/W	R/W	R	R	R	R
Default	0	0	0	0	0	0	0	0	0	0	0	0	0	0	0	0

Register: **Prefetchable memory base**
 Type: Read-only, Read/Write
 Offset: 24h
 Default: 0000h

4.23 Prefetchable Memory Limit Register

The prefetchable memory limit register defines the upper-limit address of a prefetchable memory address range used to determine when to forward memory transactions from one interface to the other. The upper 12 bits of this register are read/write and correspond to the address bits AD31–AD20. The lower 20 address bits are considered 1s; thus, the address range is aligned to a 1M-byte boundary. The bottom four bits are read-only and return 0s when read.

Bit	15	14	13	12	11	10	9	8	7	6	5	4	3	2	1	0
Name	Prefetchable memory limit															
Type	R/W	R/W	R/W	R/W	R/W	R/W	R/W	R/W	R/W	R/W	R/W	R/W	R	R	R	R
Default	0	0	0	0	0	0	0	0	0	0	0	0	0	0	0	0

Register: **Prefetchable memory limit**
 Type: Read-only, Read/Write
 Offset: 26h
 Default: 0000h

4.24 Prefetchable Base Upper 32 Bits Register

The prefetchable base upper 32 bits register, plus the prefetchable memory base register, defines the base address of the 64-bit prefetchable memory address range used by the bridge to determine when to forward memory transactions from one interface to the other. The prefetchable base upper 32 bits register should be programmed to all zeros when 32-bit addressing is being used.

Bit	31	30	29	28	27	26	25	24	23	22	21	20	19	18	17	16
Name	Prefetchable base upper 32 bits															
Type	R/W	R/W	R/W	R/W	R/W	R/W	R/W	R/W	R/W	R/W	R/W	R/W	R/W	R/W	R/W	R/W
Default	0	0	0	0	0	0	0	0	0	0	0	0	0	0	0	0
Bit	15	14	13	12	11	10	9	8	7	6	5	4	3	2	1	0
Name	Prefetchable base upper 32 bits															
Type	R/W	R/W	R/W	R/W	R/W	R/W	R/W	R/W	R/W	R/W	R/W	R/W	R/W	R/W	R/W	R/W
Default	0	0	0	0	0	0	0	0	0	0	0	0	0	0	0	0

Register: **Prefetchable base upper 32 bits**
 Type: Read/Write
 Offset: 28h
 Default: 0000 0000h

4.25 Prefetchable Limit Upper 32 Bits Register

The prefetchable limit upper 32 bits register plus the prefetchable memory limit register defines the base address of the 64-bit prefetchable memory address range used by the bridge to determine when to forward memory transactions from one interface to the other. The prefetchable limit upper 32 bits register should be programmed to all zeros when 32-bit addressing is being used.

Bit	31	30	29	28	27	26	25	24	23	22	21	20	19	18	17	16
Name	Prefetchable limit upper 32 bits															
Type	R/W	R/W	R/W	R/W	R/W	R/W	R/W	R/W	R/W	R/W	R/W	R/W	R/W	R/W	R/W	R/W
Default	0	0	0	0	0	0	0	0	0	0	0	0	0	0	0	0
Bit	15	14	13	12	11	10	9	8	7	6	5	4	3	2	1	0
Name	Prefetchable limit upper 32 bits															
Type	R/W	R/W	R/W	R/W	R/W	R/W	R/W	R/W	R/W	R/W	R/W	R/W	R/W	R/W	R/W	R/W
Default	0	0	0	0	0	0	0	0	0	0	0	0	0	0	0	0

Register: **Prefetchable limit upper 32 bits**
 Type: Read/Write
 Offset: 2Ch
 Default: 0000 0000h

4.26 I/O Base Upper 16 Bits Register

The I/O base upper 16 bits register specifies the upper 16 bits corresponding to AD31–AD16 of the 32-bit address that specifies the base of the I/O range to forward from the primary PCI bus to the secondary PCI bus.

Bit	15	14	13	12	11	10	9	8	7	6	5	4	3	2	1	0
Name	I/O base upper 16 bits															
Type	R/W	R/W	R/W	R/W	R/W	R/W	R/W	R/W	R/W	R/W	R/W	R/W	R/W	R/W	R/W	R/W
Default	0	0	0	0	0	0	0	0	0	0	0	0	0	0	0	0

Register: **I/O base upper 16 bits**
 Type: Read/Write
 Offset: 30h
 Default: 0000h

4.27 I/O Limit Upper 16 Bits Register

The I/O limit upper 16 bits register specifies the upper 16 bits corresponding to AD31–AD16 of the 32-bit address that specifies the upper limit of the I/O range to forward from the primary PCI bus to the secondary PCI bus.

Bit	15	14	13	12	11	10	9	8	7	6	5	4	3	2	1	0
Name	I/O limit upper 16 bits															
Type	R/W	R/W	R/W	R/W	R/W	R/W	R/W	R/W	R/W	R/W	R/W	R/W	R/W	R/W	R/W	R/W
Default	0	0	0	0	0	0	0	0	0	0	0	0	0	0	0	0

Register: **I/O limit upper 16 bits**
 Type: Read/Write
 Offset: 32h
 Default: 0000h

4.28 Capability Pointer Register

The capability pointer register provides the pointer to the PCI configuration header where the PCI power management register block resides. The capability pointer provides access to the first item in the linked list of capabilities. The capability pointer register is read-only and returns DCh when read, indicating the power management registers are located at PCI header offset DCh.

Bit	7	6	5	4	3	2	1	0
Name	Capability pointer register							
Type	R	R	R	R	R	R	R	R
Default	1	1	0	1	1	1	0	0

Register: **Capability pointer**
 Type: Read-only
 Offset: 34h
 Default: DCh

4.29 Expansion ROM Base Address Register

The PCI2050 does not implement the expansion ROM remapping feature. The expansion ROM base address register returns all 0s when read.

Bit	31	30	29	28	27	26	25	24	23	22	21	20	19	18	17	16
Name	Expansion ROM base address															
Type	R	R	R	R	R	R	R	R	R	R	R	R	R	R	R	R
Default	0	0	0	0	0	0	0	0	0	0	0	0	0	0	0	0
Bit	15	14	13	12	11	10	9	8	7	6	5	4	3	2	1	0
Name	Expansion ROM base address															
Type	R	R	R	R	R	R	R	R	R	R	R	R	R	R	R	R
Default	0	0	0	0	0	0	0	0	0	0	0	0	0	0	0	0

Register: **Expansion ROM base address**
 Type: Read-only
 Offset: 38h
 Default: 0000 0000h

4.30 Interrupt Line Register

The interrupt line register is read/write and is used to communicate interrupt line routing information. Since the bridge does not implement an interrupt signal terminal, this register defaults to 00h.

Bit	7	6	5	4	3	2	1	0
Name	Interrupt line							
Type	R/W	R/W	R/W	R/W	R/W	R/W	R/W	R/W
Default	0	0	0	0	0	0	0	0

Register: **Interrupt line**
 Type: Read/Write
 Offset: 3Ch
 Default: 00h

4.31 Interrupt Pin Register

The bridge default state does not implement any interrupt terminals. Reads from bits 7–0 of this register return 0s.

Bit	7	6	5	4	3	2	1	0
Name	Interrupt pin							
Type	R	R	R	R	R	R	R	R
Default	0	0	0	0	0	0	0	0

Register: **Interrupt pin**
 Type: Read-only
 Offset: 3Dh
 Default: 00h

4.32 Bridge Control Register

The bridge control register provides many of the same controls for the secondary interface that are provided by the command register for the primary interface. Some bits affect the operation of both interfaces.

Bit	15	14	13	12	11	10	9	8	7	6	5	4	3	2	1	0
Name	Bridge control															
Type	R	R	R	R	R/W	R/W	R/W	R/W	R	R/W	R/W	R	R/W	R/W	R/W	R/W
Default	0	0	0	0	0	0	0	0	0	0	0	0	0	0	0	0

Register: **Bridge control**
 Type: Read-only, Read/Write
 Offset: 3Eh
 Default: 0000h

Table 4–5. Bridge Control Register Description

BIT	TYPE	FUNCTION
15–12	R	Reserved. Bits 15–12 return 0s when read.
11	R/W	Discard timer SERR enable. 0 = SERR signaling disabled for primary discard time-outs (default) 1 = SERR signaling enabled for primary discard time-outs
10	R/W	Discard timer status. Once set, this bit must be cleared by writing 1 to this bit. 0 = No discard timer error (default) 1 = Discard timer error. Either primary or secondary discard timer expired and a delayed transaction was discarded from the queue in the bridge.
9	R/W	Secondary discard timer. Selects the number of PCI clocks that the bridge will wait for a master on the secondary interface to repeat a delayed transaction request. 0 = Secondary discard timer counts 2 ¹⁵ PCI clock cycles (default) 1 = Secondary discard timer counts 2 ¹⁰ PCI clock cycles
8	R/W	Primary discard timer. Selects the number of PCI clocks that the bridge will wait for a master on the primary interface to repeat a delayed transaction request. 0 = Primary discard timer counts 2 ¹⁵ PCI clock cycles (default) 1 = Primary discard timer counts 2 ¹⁰ PCI clock cycles
7	R	Fast back-to-back capable. The bridge never generates fast back-to-back transactions to different secondary devices. Bit 7 returns 0 when read.
6	R/W	Secondary bus reset. When bit 6 is set, the secondary reset signal ($\overline{S_RST}$) is asserted. $\overline{S_RST}$ is deasserted by resetting this bit. Bit 6 is encoded as: 0 = Do not force the assertion of $\overline{S_RST}$ (default). 1 = Force the assertion of $\overline{S_RST}$.

Table 4–5. Bridge Control Register Description (continued)

BIT	TYPE	FUNCTION
5	R/W	<p>Master abort mode. Bit 5 controls how the bridge responds to a master abort that occurs on either interface when the bridge is the master. If this bit is set, the posted write transaction has completed on the requesting interface, and $\overline{\text{SERR}}$ enable (bit 8) of the command register (offset 04h, see Section 4.3) is 1, then $\overline{\text{P_SERR}}$ is asserted when a master abort occurs. If the transaction has not completed, then a target abort is signaled. If the bit is cleared, then all 1s are returned on reads and write data is accepted and discarded when a transaction that crosses the bridge is terminated with master abort. The default state of bit 5 after a reset is 0.</p> <p>0 = Do not report master aborts (return FFFF FFFFh on reads and discard data on writes) (default). 1 = Report master aborts by signaling target abort if possible, or if $\overline{\text{SERR}}$ is enabled via bit 1 of this register, by asserting $\overline{\text{SERR}}$.</p>
4	R	Reserved. Returns 0 when read. Writes have no effect.
3	R/W	<p>VGA enable. When bit 3 is set, the bridge positively decodes and forwards VGA-compatible memory addresses in the video frame buffer range 000A 0000h–000B FFFFh, I/O addresses in the range 03B0h–03BBh, and 03C0–03DFh from the primary to the secondary interface, independent of the I/O and memory address ranges. When this bit is set, the bridge blocks forwarding of these addresses from the secondary to the primary. Reset clears this bit. Bit 3 is encoded as:</p> <p>0 = Do not forward VGA-compatible memory and I/O addresses from the primary to the secondary interface (default). 1 = Forward VGA-compatible memory and I/O addresses from the primary to the secondary, independent of the I/O and memory address ranges and independent of the ISA enable bit.</p>
2	R/W	<p>ISA enable. When bit 2 is set, the bridge blocks the forwarding of ISA I/O transactions from the primary to the secondary, addressing the last 768 bytes in each 1K-byte block. This applies only to the addresses (defined by the I/O window registers) that are located in the first 64K bytes of PCI I/O address space. From the secondary to the primary, I/O transactions are forwarded if they address the last 768 bytes in each 1K-byte block in the address range specified in the I/O window registers. Bit 2 is encoded as:</p> <p>0 = Forward all I/O addresses in the address range defined by the I/O base and I/O limit registers (default). 1 = Block forwarding of ISA I/O addresses in the address range defined by the I/O base and I/O limit registers when these I/O addresses are in the first 64K bytes of PCI I/O address space and address the top 768 bytes of each 1K-byte block.</p>
1	R/W	<p>$\overline{\text{SERR}}$ enable. Bit 1 controls the forwarding of secondary interface $\overline{\text{SERR}}$ assertions to the primary interface. Only when this bit is set will the bridge forward $\overline{\text{S_SERR}}$ to the primary bus signal $\overline{\text{P_SERR}}$. For the primary interface to assert $\overline{\text{SERR}}$, bit 8 of the command register (offset 04h, see Section 4.3) must be set.</p> <p>0 = $\overline{\text{SERR}}$ disabled (default) 1 = $\overline{\text{SERR}}$ enabled</p>
0	R/W	<p>Parity error response enable. Bit 0 controls the bridge response to parity errors on the secondary interface. When this bit is set, the bridge asserts $\overline{\text{S_PERR}}$ to report parity errors on the secondary interface.</p> <p>0 = Ignore address and parity errors on the secondary interface (default). 1 = Enable parity error reporting and detection on the secondary interface.</p>

5 Extension Registers

The TI extension registers are those registers that lie outside the standard PCI-to-PCI bridge device configuration space (i.e., registers 40h–FFh in PCI configuration space in the PCI2050). These registers can be accessed through configuration reads and writes. The TI extension registers add flexibility and performance benefits to the standard PCI-to-PCI bridge. Mapping of the extension registers is contained in Table 4–1.

5.1 Chip Control Register

The chip control register contains read/write and read-only bits and has a default value of 00h. This register is used to control the functionality of certain PCI transactions.

Bit	7	6	5	4	3	2	1	0
Name	Chip control							
Type	R	R	R/W	R/W	R	R	R/W	R
Default	0	0	0	0	0	0	0	0

Register: **Chip control**
 Type: Read/Write, Read-only
 Offset: 40h
 Default: 00h

Table 5–1. Chip Control Register Description

BIT	TYPE	FUNCTION
7–6	R	Reserved. Bits 7–6 return 0s when read.
5	R/W	Transaction forwarding control for I/O and memory cycles. 0 = Transaction forwarding controlled by bits 0 and 1 of the command register (offset 04h, see Section 4.3) (default). 1 = Transaction forwarding will be disabled if GPIO3 is driven high.
4	R/W	Memory read prefetch. When set, bit 4 enables the memory read prefetch. 0 = Upstream memory reads are disabled (default). 1 = Upstream memory reads are enabled
3–2	R	Reserved. Bits 3 and 2 return 0s when read.
1	R/W	Memory write and memory write and invalidate disconnect control. 0 = Disconnects on queue full or 4-KB boundaries (default) 1 = Disconnects on queue full, 4-KB boundaries and cacheline boundaries.
0	R	Reserved. Bit 0 returns 0 when read.

5.2 Extended Diagnostic Register

The extended diagnostic register is read or write and has a default value of 00h. Bit 0 of this register is used to reset both the PCI2050 and the secondary bus.

Bit	7	6	5	4	3	2	1	0
Name	Extended diagnostic							
Type	R	R	R	R	R	R	R	W
Default	0	0	0	0	0	0	0	0

Register: **Extended diagnostic**
 Type: Read-only, Write-only
 Offset: 41h
 Default: 00h

Table 5–2. Extended Diagnostic Register Description

BIT	TYPE	FUNCTION
7–1	R	Reserved. Bits 7–1 return 0s when read.
0	W	Writing a 1 to this bit causes the PCI2050 to set bit 6 of the bridge control register (offset 3Eh, see Section 4.32) and then internally reset the PCI2050. Bit 6 of the bridge control register will not be reset by the internal reset. Bit 0 is self-clearing.

5.3 Arbiter Control Register

The arbiter control register is used for the bridge internal arbiter. The arbitration scheme used is a two-tier rotational arbitration. The PCI2050 bridge is the only secondary bus initiator that defaults to the higher priority arbitration tier.

Bit	15	14	13	12	11	10	9	8	7	6	5	4	3	2	1	0
Name	Arbiter control															
Type	R	R	R	R	R	R	R/W	R/W	R/W	R/W	R/W	R/W	R/W	R/W	R/W	R/W
Default	0	0	0	0	0	0	1	0	0	0	0	0	0	0	0	0

Register: **Arbiter control**
 Type: Read-only, Read/Write
 Offset: 42h
 Default: 0200h

Table 5–3. Arbiter Control Register Description

BIT	TYPE	FUNCTION
15–10	R	Reserved. Bits 15–10 return 0s when read.
9	R/W	Bridge tier select. This bit determines in which tier the PCI2250 bridge is placed in the two-tier arbitration scheme. 0 = Low priority tier 1 = High priority tier (default)
8	R/W	GNT8 tier select. This bit determines in which tier the S_GNT8 is placed in the arbitration scheme. This bit is encoded as: 0 = Low priority tier (default) 1 = High priority tier
7	R/W	GNT7 tier select. This bit determines in which tier the S_GNT7 is placed in the arbitration scheme. This bit is encoded as: 0 = Low priority tier (default) 1 = High priority tier
6	R/W	GNT6 tier select. This bit determines in which tier the S_GNT6 is placed in the arbitration scheme. This bit is encoded as: 0 = Low priority tier (default) 1 = High priority tier
5	R/W	GNT5 tier select. This bit determines in which tier the S_GNT5 is placed in the arbitration scheme. This bit is encoded as: 0 = Low priority tier (default) 1 = High priority tier
4	R/W	GNT4 tier select. This bit determines in which tier the S_GNT4 is placed in the arbitration scheme. This bit is encoded as: 0 = Low priority tier (default) 1 = High priority tier
3	R/W	GNT3 tier select. This bit determines in which tier the S_GNT3 is placed in the arbitration scheme. This bit is encoded as: 0 = Low priority tier (default) 1 = High priority tier
2	R/W	GNT2 tier select. This bit determines in which tier the S_GNT2 is placed in the arbitration scheme. This bit is encoded as: 0 = Low priority tier (default) 1 = High priority tier
1	R/W	GNT1 tier select. This bit determines in which tier the S_GNT1 is placed in the arbitration scheme. This bit is encoded as: 0 = Low priority tier (default) 1 = High priority tier
0	R/W	GNT0 tier select. This bit determines in which tier the S_GNT0 is placed in the arbitration scheme. This bit is encoded as: 0 = Low priority tier (default) 1 = High priority tier

5.4 P_SERR Event Disable Register

The P_SERR event disable register is used to enable/disable the SERR event on the primary interface. All events are enabled by default.

Bit	7	6	5	4	3	2	1	0
Name	P_SERR event disable							
Type	R	R/W	R/W	R/W	R/W	R/W	R/W	R
Default	0	0	0	0	0	0	0	0

Register: **P_SERR event disable**
 Type: Read-only, Read/Write
 Offset: 64h
 Default: 00h

Table 5–4. P_SERR Event Disable Register Description

BIT	TYPE	FUNCTION
7	R	Reserved. Bit 7 returns 0 when read.
6	R/W	Master <u>delayed</u> read time-out. 0 = <u>P_SERR</u> signaled on a master time-out after 2 ²⁴ retries on a delayed read (default). 1 = P_SERR is not signaled on a master time-out.
5	R/W	Master <u>delayed</u> write time-out. 0 = <u>P_SERR</u> signaled on a master time-out after 2 ²⁴ retries on a delayed write (default). 1 = P_SERR is not signaled on a master time-out.
4	R/W	Master abort on posted write transactions. When set, bit 4 enables P_SERR reporting on master aborts on posted write transactions. 0 = Master aborts on posted writes enabled (default) 1 = Master aborts on posted writes disabled
3	R/W	Target abort on posted writes. When set, bit 3 enables P_SERR reporting on target aborts on posted write transactions. 0 = Target aborts on posted writes enabled (default). 1 = Target aborts on posted writes disabled.
2	R/W	Master <u>posted</u> write time-out. 0 = <u>P_SERR</u> signaled on a master time-out after 2 ²⁴ retries on a posted write (default). 1 = P_SERR is not signaled on a master time-out.
1	R/W	Posted write parity error. 0 = <u>P_SERR</u> signaled on a posted write parity error (default). 1 = P_SERR is not signaled on a posted write parity error.
0	R	Reserved. Bit 0 returns 0 when read.

5.5 GPIO Output Data Register

The GPIO output data register controls the data driven on the GPIO terminals configured as outputs. If both an output-high bit and an output-low bit are set for the same GPIO terminal, the output-low bit takes precedence. The output data bits have no effect on a GPIO terminal that is programmed as an input.

Bit	7	6	5	4	3	2	1	0
Name	GPIO output data							
Type	R/W	R/W	R/W	R/W	R/W	R/W	R/W	R/W
Default	0	0	0	0	0	0	0	0

Register: **GPIO output data**
 Type: Read/Write
 Offset: 65h
 Default: 00h

Table 5–5. GPIO Output Data Register Description

BIT	TYPE	FUNCTION
7	R/W	GPIO3 output high. Writing a 1 to this bit causes the GPIO signal to be driven high. Writing a 0 has no effect.
6	R/W	GPIO2 output high. Writing a 1 to this bit causes the GPIO signal to be driven high. Writing a 0 has no effect.
5	R/W	GPIO1 output high. Writing a 1 to this bit causes the GPIO signal to be driven high. Writing a 0 has no effect.
4	R/W	GPIO0 output high. Writing a 1 to this bit causes the GPIO signal to be driven high. Writing a 0 has no effect.
3	R/W	GPIO3 output low. Writing a 1 to this bit causes the GPIO signal to be driven low. Writing a 0 has no effect.
2	R/W	GPIO2 output low. Writing a 1 to this bit causes the GPIO signal to be driven low. Writing a 0 has no effect.
1	R/W	GPIO1 output low. Writing a 1 to this bit causes the GPIO signal to be driven low. Writing a 0 has no effect.
0	R/W	GPIO0 output low. Writing a 1 to this bit causes the GPIO signal to be driven low. Writing a 0 has no effect.

5.6 GPIO Output Enable Register

The GPIO output enable register controls the direction of the GPIO signal. By default all GPIO terminals are inputs. If both an output-enable bit and an input-enable bit are set for the same GPIO terminal, the input-enable bit takes precedence.

Bit	7	6	5	4	3	2	1	0
Name	GPIO output enable							
Type	R/W	R/W	R/W	R/W	R/W	R/W	R/W	R/W
Default	0	0	0	0	0	0	0	0

Register: **GPIO output enable**
 Type: Read/Write
 Offset: 66h
 Default: 00h

Table 5–6. GPIO Output Enable Register Description

BIT	TYPE	FUNCTION
7	R/W	GPIO3 output enable. Writing a 1 to this bit causes the GPIO signal to be configured as an output. Writing a 0 has no effect.
6	R/W	GPIO2 output enable. Writing a 1 to this bit causes the GPIO signal to be configured as an output. Writing a 0 has no effect.
5	R/W	GPIO1 output enable. Writing a 1 to this bit causes the GPIO signal to be configured as an output. Writing a 0 has no effect.
4	R/W	GPIO0 output enable. Writing a 1 to this bit causes the GPIO signal to be configured as an output. Writing a 0 has no effect.
3	R/W	GPIO3 input enable. Writing a 1 to this bit causes the GPIO signal to be configured as an input. Writing a 0 has no effect.
2	R/W	GPIO2 input enable. Writing a 1 to this bit causes the GPIO signal to be configured as an input. Writing a 0 has no effect.
1	R/W	GPIO1 input enable. Writing a 1 to this bit causes the GPIO signal to be configured as an input. Writing a 0 has no effect.
0	R/W	GPIO0 input enable. Writing a 1 to this bit causes the GPIO signal to be configured as an input. Writing a 0 has no effect.

5.7 GPIO Input Data Register

The GPIO input data register returns the current state of the GPIO terminals when read.

Bit	7	6	5	4	3	2	1	0
Name	GPIO input data							
Type	R	R	R	R	R	R	R	R
Default	X	X	X	X	0	0	0	0

Register: **GPIO input data**
 Type: Read-only
 Offset: 67h
 Default: X0h

Table 5–7. GPIO Input Data Register Description

BIT	TYPE	FUNCTION
7–4	R	GPIO3–GPIO0 input data. These four bits return the current state of the GPIO terminals.
3–0	R	Reserved. Bits 3–0 return 0s when read.

5.8 Secondary Clock Control Register

The secondary clock control register is used to control the secondary clock outputs.

Bit	15	14	13	12	11	10	9	8	7	6	5	4	3	2	1	0
Name	Secondary clock control															
Type	R	R/W	R/W	R/W	R/W	R/W	R/W	R/W	R/W	R/W	R/W	R/W	R/W	R/W	R/W	R/W
Default	0	0	0	0	0	0	0	0	0	0	0	0	0	0	0	0

Register: **Secondary clock control**
 Type: Read-only, Read/Write
 Offset: 68h
 Default: 0000h

Table 5–8. Secondary Clock Control Register Description

BIT	TYPE	FUNCTION
15–14	R	Reserved. These bits return 0 when read.
13	R/W	S_CLKOUT9 disable. 0 = S_CLKOUT9 enabled (default). 1 = S_CLKOUT9 disabled and driven high.
12	R/W	S_CLKOUT8 disable. 0 = S_CLKOUT8 enabled (Default). 1 = S_CLKOUT8 disabled and driven high.
11	R/W	S_CLKOUT7 disable. 0 = S_CLKOUT7 enabled (default). 1 = S_CLKOUT7 disabled and driven high.
10	R/W	S_CLKOUT6 disable. 0 = S_CLKOUT6 enabled (default). 1 = S_CLKOUT6 disabled and driven high.
9	R/W	S_CLKOUT5 disable. 0 = S_CLKOUT5 enabled (default). 1 = S_CLKOUT5 disabled and driven high.
8	R/W	S_CLKOUT4 disable. 0 = S_CLKOUT4 enabled (default). 1 = S_CLKOUT4 disabled and driven high.
7–6	R/W	S_CLKOUT3 disable. 00, 01, 10 = S_CLKOUT3 enabled (00 is the default). 11 = S_CLKOUT3 disabled and driven high.
5–4	R/W	S_CLKOUT2 disable. 00, 01, 10 = S_CLKOUT2 enabled (00 is the default). 11 = S_CLKOUT2 disabled and driven high.
3–2	R/W	S_CLKOUT1 disable. 00, 01, 10 = S_CLKOUT1 enabled (00 is the default). 11 = S_CLKOUT1 disabled and driven high.
1–0	R/W	S_CLKOUT0 disable. 00, 01, 10 = S_CLKOUT0 enabled (00 is the default). 11 = S_CLKOUT0 disabled and driven high.

5.9 P_SERR Status Register

The P_SERR status register indicates what caused a SERR event on the primary interface.

Bit	7	6	5	4	3	2	1	0
Name	P_SERR status							
Type	R	R/W	R/W	R/W	R/W	R/W	R/W	R
Default	0	0	0	0	0	0	0	0

Register: **P_SERR status**
 Type: Read-only Read/Write
 Offset: 6Ah
 Default: 00h

Table 5–9. P_SERR Status Register Description

BIT	TYPE	FUNCTION
7	R	Reserved. Bit 7 returns 0 when read.
6	R/W	Master delayed read time-out. A 1 indicates that $\overline{P_SERR}$ was signaled because of a master time-out after 2^{24} retries on a delayed read.
5	R/W	Master delayed write time-out. A 1 indicates that $\overline{P_SERR}$ was signaled because of a master time-out after 2^{24} retries on a delayed write.
4	R/W	Master abort on posted write transactions. A 1 indicates that $\overline{P_SERR}$ was signaled because of a master abort on a posted write.
3	R/W	Target abort on posted writes. A 1 indicates that $\overline{P_SERR}$ was signaled because of a target abort on a posted write.
2	R/W	Master posted write time-out. A 1 indicates that $\overline{P_SERR}$ was signaled because of a master time-out after 2^{24} retries on a posted write.
1	R/W	Posted write parity error. A 1 indicates that $\overline{P_SERR}$ was signaled because of parity error on a posted write.
0	R	Reserved. Bit 0 returns 0 when read.

5.10 Power-Management Capability ID Register

The power-management capability ID register identifies the linked list item as the register for PCI power management. The power-management capability ID register returns 01h when read, which is the unique ID assigned by the PCI SIG for the PCI location of the capabilities pointer and the value.

Bit	7	6	5	4	3	2	1	0
Name	Power-management capability ID							
Type	R	R	R	R	R	R	R	R
Default	0	0	0	0	0	0	0	1

Register: **Power-management capability ID**
 Type: Read-only
 Offset: DCh
 Default: 01h

5.11 Power-Management Next-Item Pointer Register

The power-management next-item pointer register is used to indicate the next item in the linked list of PCI power-management capabilities. The next-item pointer returns E4h in CompactPCI mode, indicating that the PCI2050 supports more than one extended capability, but in all other modes returns 00h, indicating that only one extended capability is provided.

Bit	7	6	5	4	3	2	1	0
Name	Power-management next-item pointer							
Type	R	R	R	R	R	R	R	R
Default	1	1	1	0	0	1	0	0

Register: **Power-management next-item pointer**
 Type: Read-only
 Offset: DDh
 Default: E4h cPCI mode
 00h All other modes

5.12 Power-Management Capabilities Register

The power management capabilities register contains information on the capabilities of the PCI2050 functions related to power management. The PCI2050 function supports D0, D1, D2, and D3 power states when MS1 is low. The PCI2050 does not support any power states when MS1 is high.

Bit	15	14	13	12	11	10	9	8	7	6	5	4	3	2	1	0
Name	Power-management capabilities															
Type	R	R	R	R	R	R	R	R	R	R	R	R	R	R	R	R
Default	0	0	0	0	0	1	1	0	0	0	0	0	0	0	1	0

Register: **Power-management capabilities**
 Type: Read-only
 Offset: DEh
 Default: 0602h or 0001h

Table 5–10. Power-Management Capabilities Register Description

BIT	TYPE	FUNCTION
15–11	R	$\overline{\text{PME}}$ support. This five-bit field indicates the power states that the device supports asserting $\overline{\text{PME}}$. A 0 for any of these bits indicates that the PCI2050 cannot assert $\overline{\text{PME}}$ from that power state. For the PCI2050, these five bits return 00000b when read, indicating that $\overline{\text{PME}}$ is not supported.
10	R	D2 support. This bit returns 1 when MS0 is 0, indicating that the bridge function supports the D2 device power state. This bit returns 0 when MS0 is 1, indicating that the bridge function does not support the D2 device power state.
9	R	D1 support. This bit returns 1 when MS0 is 0, indicating that the bridge function supports the D1 device power state. This bit returns 0 when MS0 is 1, indicating that the bridge function does not support the D1 device power state.
8–6	R	Reserved. Bits 8–6 return 0s when read.
5	R	Device specific initialization. This bit returns 0 when read, indicating that the bridge function does not require special initialization (beyond the standard PCI configuration header) before the generic class device driver is able to use it.
4	R	Auxiliary power source. This bit returns a 0 when read because the PCI2050 does not support $\overline{\text{PME}}$ signaling.
3	R	PMECLK. This bit returns a 0 when read because the $\overline{\text{PME}}$ signaling is not supported.
2–0	R	Version. This three-bit register returns the <i>PCI Bus Power Management Interface Specification</i> revision. 001 = Revision 1.0, MS0 = 1 010 = Revision 1.1, MS0 = 0

5.13 Power-Management Control/Status Register

The power-management control/status register determines and changes the current power state of the PCI2050. The contents of this register are not affected by the internally generated reset caused by the transition from D3_{hot} to D0 state.

Bit	15	14	13	12	11	10	9	8	7	6	5	4	3	2	1	0
Name	Power-management control/status															
Type	R	R	R	R	R	R	R	R	R	R	R	R	R	R	R/W	R/W
Default	0	0	0	0	0	0	0	0	0	0	0	0	0	0	0	0

Register: **Power-management control/status**
 Type: Read-only, Read/Write
 Offset: E0h
 Default: 0000h

Table 5–11. Power-Management Control/Status Register

BIT	TYPE	FUNCTION
15	R	$\overline{\text{PME}}$ status. This bit returns a 0 when read because the PCI2050 does not support $\overline{\text{PME}}$.
14–13	R	Data scale. This 2-bit read-only field indicates the scaling factor to be used when interpreting the value of the data register. These bits return only 00b, because the data register is not implemented.
12–9	R	Data select. This 4-bit field is used to select which data is to be reported through the data register and data-scale field. These bits return only 0000b, because the data register is not implemented.
8	R	$\overline{\text{PME}}$ enable. This bit returns a 0 when read because the PCI2050 does not support $\overline{\text{PME}}$ signaling.
7–2	R	Reserved. Bits 7–2 return 0s when read.
1–0	R/W	Power state. This 2-bit field is used both to determine the current power state of a function and to set the function into a new power state. The definition of this is given below: 00 – D0 01 – D1 10 – D2 11 – D3 _{hot}

5.14 PMCSR Bridge Support Register

The PMCSR bridge support register is required for all PCI bridges and supports PCI-bridge-specific functionality.

Bit	7	6	5	4	3	2	1	0
Name	PMCSR bridge support							
Type	R	R	R	R	R	R	R	R
Default	X	X	0	0	0	0	0	0

Register: **PMCSR bridge support**
 Type: Read-only
 Offset: E2h
 Default: X0h

Table 5–12. PMCSR Bridge Support Register Description

BIT	TYPE	FUNCTION
7	R	Bus power control enable. This bit returns the value of the MS1/BCC input. 0 = Bus power/ clock control disabled. 1 = Bus power/clock control enabled.
6	R	B2/B3 support for D3 _{hot} . This bit returns the value of MS1/BCC input. When this bit is 1, the secondary clocks are stopped when the device is placed in D3 _{hot} . When this bit is 0, the secondary clocks remain on in all device states. Note: If the primary clock is stopped, then the secondary clocks will stop because the primary clock is used to generate the secondary clocks.
5–0	R	Reserved.

5.15 Data Register

The data register is an optional, 8-bit read-only register that provides a mechanism for the function to report state-dependent operating data such as power consumed or heat dissipation. The PCI2050 does not implement the data register.

Bit	7	6	5	4	3	2	1	0
Name	Data							
Type	R	R	R	R	R	R	R	R
Default	0	0	0	0	0	0	0	0

Register: **Data**
 Type: Read-only
 Offset: E3h
 Default: 00h

5.16 HS Capability ID Register

The HS capability ID register identifies the linked list item as the register for cPCI hot-swap capabilities. The register returns 06h when read, which is the unique ID assigned by the PICMG for PCI location of the capabilities pointer and the value. In Intel™-compatible mode, this register is read-only and defaults to 00h.

Bit	7	6	5	4	3	2	1	0
Name	HS capability ID							
Type	R	R	R	R	R	R	R	R
Default	0	0	0	0	0	1	1	0

Register: **HS capability ID**
 Type: Read-only
 Offset: E4h
 Default: 06h TI mode
 00h Intel-compatible mode

5.17 HS Next-Item Pointer Register

The HS next-item pointer register is used to indicate the next item in the linked list of cPCI hot swap capabilities. Because this is the last extended capability that the PCI2050 supports, the next-item pointer returns all 0s.

Bit	7	6	5	4	3	2	1	0
Name	HS next-item pointer							
Type	R	R	R	R	R	R	R	R
Default	0	0	0	0	0	0	0	0

Register: **HS next-item pointer**
 Type: Read-only
 Offset: E5h
 Default: 00h

5.18 Hot-Swap Control Status Register

The hot-swap control status register contains control and status information for cPCI hot swap resources.

Bit	7	6	5	4	3	2	1	0
Name	Hot swap control status							
Type	R	R	R	R	R/W	R	R/W	R
Default	0	0	0	0	0	0	0	0

Register: **Hot-swap control status**
 Type: Read-only, Read/Write
 Offset: E6h
 Default: 00h

Table 5–13. Hot-Swap Control Status Register Description

BIT	TYPE	FUNCTION
7	R	$\overline{\text{ENUM}}$ insertion status. When set, the $\overline{\text{ENUM}}$ output is driven by the PCI2050. This bit defaults to 0, and will be set after a PCI reset occurs, the pre-load of serial ROM is complete, the ejector handle is closed, and bit 6 is 0. Thus, this bit is set following an insertion when the board implementing the PCI2050 is ready for configuration. This bit cannot be set under software control.
6	R	$\overline{\text{ENUM}}$ extraction status. When set, the $\overline{\text{ENUM}}$ output is driven by the PCI2050. This bit defaults to 0, and is set when the ejector handle is opened and bit 7 is 0. Thus, this bit is set when the board implementing the PCI2050 is about to be removed. This bit cannot be set under software control.
5–4	R	Reserved. Bits 5 and 4 return 0s when read.
3	R/W	LED ON/OFF. This bit defaults to 0, and controls the external LED indicator (HSLED) under normal conditions. However, for a duration following a $\overline{\text{PCI_RST}}$, the HSLED output is driven high by the PCI2050 and this bit is ignored. When this bit is interpreted, a 1 causes HSLED high and a 0 causes HSLED low. Following $\overline{\text{PCI_RST}}$, the HSLED output is driven high by the PCI2050 until the ejector handle is closed. When these conditions are met, the HSLED is under software control via this bit.
2	R	Reserved. Bit 2 returns 0 when read.
1	R/W	$\overline{\text{ENUM}}$ interrupt mask. This bit allows the $\overline{\text{HSENUM}}$ output to be masked by software. Bits 6 and 7 are set independently from this bit. 0 = Enable $\overline{\text{HSENUM}}$ output 1 = Mask $\overline{\text{HSENUM}}$ output
0	R	Reserved. Bit 0 returns 0 when read.

6 Electrical Characteristics

6.1 Absolute Maximum Ratings Over Operating Temperature Ranges †

Supply voltage range, V_{CC}	–0.5 V to 3.6 V
S_V_{CCP}	–0.5 V to 6 V
P_V_{CCP}	–0.5 V to 6 V
Input voltage range, V_I : PCI	–0.5 V to 6.5 V
Output voltage range, V_O : PCI	–0.5 V to $V_{CC} + 0.5$ V
Input clamp current, I_{IK} ($V_I < 0$ or $V_I > V_{CC}$) (see Note 1)	±20 mA
Output clamp current, I_{OK} ($V_O < 0$ or $V_O > V_{CC}$) (see Note 2)	±20 mA
Storage temperature range, T_{stg}	–65°C to 150°C
Virtual junction temperature, T_J	150°C

† Stresses beyond those listed under absolute maximum ratings may cause permanent damage to the device. These are stress ratings only, and functional operation of the device at these or any other conditions beyond those indicated under recommended operating conditions is not implied. Exposure to absolute-maximum-rated conditions for extended periods may affect device reliability.

- NOTES: 1. Applies for external input and bidirectional buffers. $V_I > V_{CC}$ does not apply to fail-safe terminals.
2. Applies to external output and bidirectional buffers. $V_O > V_{CC}$ does not apply to fail-safe terminals.

6.2 Recommended Operating Conditions (see Note 3)

			OPERATION	MIN	NOM	MAX	UNIT
V_{CC}	Supply voltage (core)	Commercial	3.3 V	3	3.3	3.6	V
P_V_{CCP}	PCI primary bus I/O clamping rail voltage	Commercial	3.3 V	3	3.3	3.6	V
			5 V	4.75	5	5.25	
S_V_{CCP}	PCI secondary bus I/O clamping rail voltage	Commercial	3.3 V	3	3.3	3.6	V
			5 V	4.75	5	5.25	
V_{IH}^\dagger	High-level input voltage	PCI	3.3 V	0.5 V_{CCP}		V_{CCP}	V
			5 V	2		V_{CCP}	
V_{IL}^\dagger	Low-level input voltage	PCI	3.3 V	0		0.3 V_{CCP}	V
			5 V	0		0.8	
V_I	Input voltage	PCI		0		V_{CCP}	V
V_O^\S	Output voltage		3.3 V	0		V_{CC}	V
			5 V	0		V_{CC}	
t_t	Input transition time (t_r and t_f)	PCI		1		4	ns
T_A	Operating ambient temperature range	PCI2050	3.3 V	0	25	70	°C
		PCI2050I	3.3 V	–40	25	85	
T_J^\P	Virtual junction temperature		5 V	0	25	115	°C

NOTE 3: Unused or floating pins (input or I/O) must be held high or low.

† Applies for external input and bidirectional buffers without hysteresis

§ Applies for external output buffers

¶ These junction temperatures reflect simulation conditions. The customer is responsible for verifying junction temperature.

6.3 Recommended Operating Conditions for PCI Interface

			OPERATION	MIN	NOM	MAX	UNIT
V _{CC}	Core voltage	Commercial	3.3 V	3	3.3	3.6	V
P_V _{CCP}	PCI supply voltage	Commercial	3.3 V	3	3.3	3.6	V
			5 V	4.75	5	5.25	
S_V _{CCP}	PCI supply voltage	Commercial	3.3 V	3	3.3	3.6	V
			5 V	4.75	5	5.25	
V _I	Input voltage		3.3 V	0		V _{CCP}	V
			5 V	0		V _{CCP}	
V _O †	Output voltage		3.3 V	0		V _{CCP}	V
			5 V	0		V _{CCP}	
V _{IH} ‡	High-level input voltage	CMOS compatible	3.3 V	0.5 V _{CCP}			V
			5 V	2			
V _{IL} ‡	Low-level input voltage	CMOS compatible	3.3 V	0.3 V _{CCP}			V
			5 V	0.8			

† Applies to external output buffers

‡ Applies to external input and bidirectional buffers without hysteresis

6.4 Electrical Characteristics Over Recommended Operating Conditions

PARAMETER	TERMINALS	OPERATION	TEST CONDITIONS	MIN	MAX	UNIT
V _{OH}		3.3 V	I _{OH} = -0.5 mA	0.9 V _{CC}		V
		5 V	I _{OH} = -2 mA	2.4		
		TTL	5 V	I _{OH} = -1.4 mA	2.4	
V _{OL}		3.3 V	I _{OL} = 1.5 mA	0.1 V _{CC}		V
		5 V	I _{OL} = 6 mA	0.55		
I _{IH}	Input terminals, PCI		V _I = V _{CCP}	10		μA
	I/O terminals†		V _I = V _{CCP}	10		
I _{IL}	Input terminals, PCI		V _I = GND	-1		μA
	I/O terminals†			-10		
I _{OZ}			V _O = V _{CCP} or GND	±10		μA

† For I/O terminals, the input leakage current includes the off-state output current I_{OZ}.

‡ For TTL signals, I_{OH} = 1.4 mA is the test condition for the industrial-temperature-range PCI2050I.

6.5 PCI Clock/Reset Timing Requirements Over Recommended Ranges of Supply Voltage and Operating Free-Air Temperature (see Figure 6-2 and Figure 6-3)

		ALTERNATE SYMBOL	MIN	MAX	UNIT
t _c	Cycle time, PCLK	t _{cyt}	30	∞	ns
t _{wH}	Pulse duration, PCLK high	t _{high}	11		ns
t _{wL}	Pulse duration, PCLK low	t _{low}	11		ns
Δv/Δt	Slew rate, PCLK	t _r , t _f	1	4	V/ns
t _w	Pulse duration, RSTIN	t _{rst}	1		ms
t _{su}	Setup time, PCLK active at end of $\overline{\text{RSTIN}}$ (see Note 4)	t _{rst-clk}	100		μs

NOTE 4: The setup and hold times for the secondary are identical to those for the primary; however, the times are relative to the secondary PCI clock.

6.6 PCI Timing Requirements Over Recommended Ranges of Supply Voltage and Operating Free-Air Temperature (see Note 5 and Figure 6–1 and Figure 6–4)

		ALTERNATE SYMBOL	TEST CONDITIONS	MIN	MAX	UNIT
t_{pd}	Propagation delay time	PCLK to shared signal valid delay time t_{val}	$C_L = 50$ pF, See Note 6	11		ns
		PCLK to shared signal invalid delay time t_{inv}		2		
t_{en}	Enable time, high-impedance-to-active delay time from PCLK	t_{on}		2		ns
t_{dis}	Disable time, active-to-high-impedance delay time from PCLK	t_{off}		28		ns
t_{su}	Setup time before PCLK valid	t_{su} , See Note 4		7		ns
t_h	Hold time after PCLK high	t_h , See Note 4		0		ns

- NOTES: 5. This data sheet uses the following conventions to describe time (t) intervals. The format is: t_A , where *subscript A* indicates the type of dynamic parameter being represented. The following are used: t_{pd} = propagation delay time, t_{su} = setup time, and t_h = hold time.
6. PCI shared signals are AD31–AD0, C/BE3–C/BE0, FRAME, TRDY, IRDY, STOP, IDSEL, DEVSEL, and PAR.

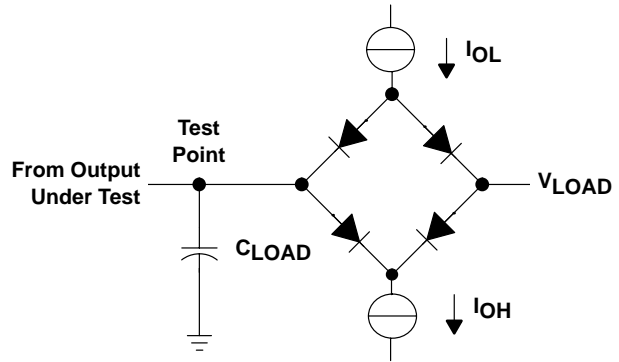
6.7 Parameter Measurement Information

LOAD CIRCUIT PARAMETERS

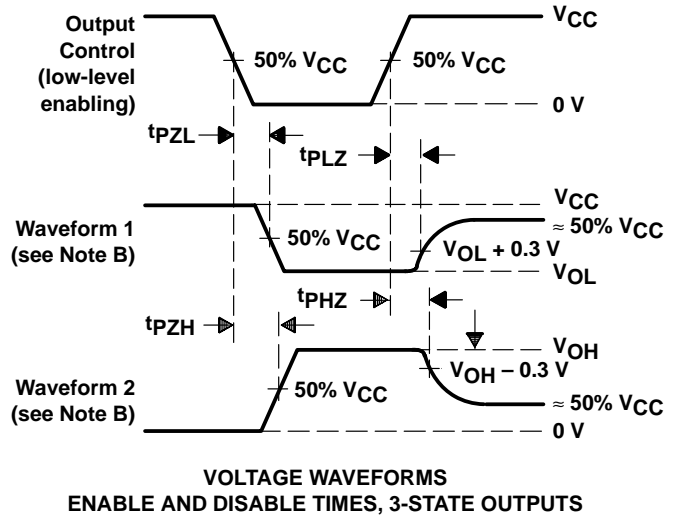
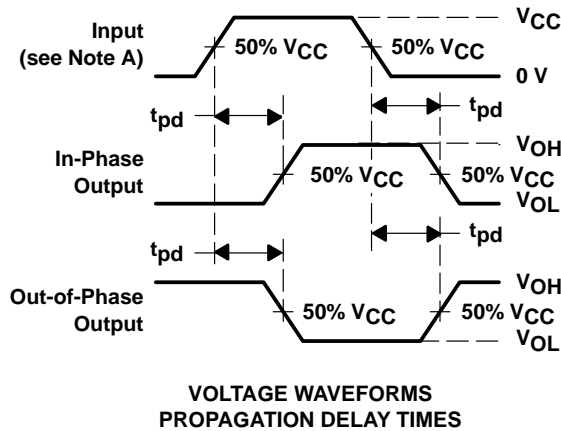
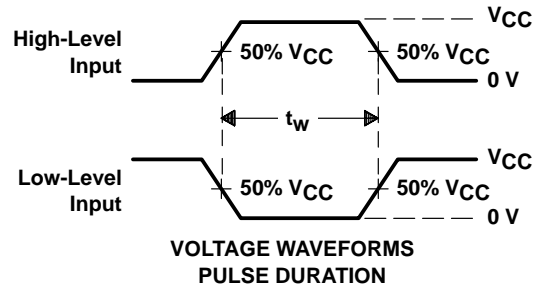
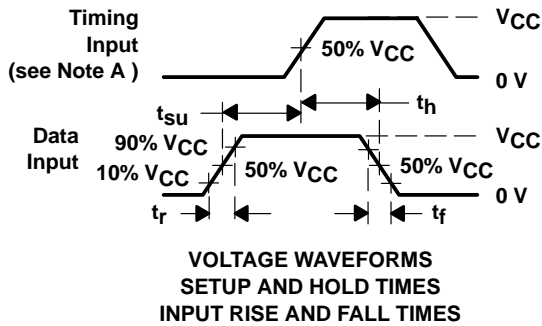
TIMING PARAMETER		C _{LOAD} [†] (pF)	I _{OL} (mA)	I _{OH} (mA)	V _{LOAD} (V)
t _{en}	t _{PZH}	50	8	-8	0
	t _{PZL}				3
t _{dis}	t _{PHZ}	50	8	-8	1.5
	t _{PLZ}				
t _{pd}		50	8	-8	‡

[†] C_{LOAD} includes the typical load-circuit distributed capacitance.

[‡] $\frac{V_{LOAD} - V_{OL}}{I_{OL}} = 50 \Omega$, where V_{OL} = 0.6 V, I_{OL} = 8 mA



LOAD CIRCUIT



- NOTES: A. Phase relationships between waveforms were chosen arbitrarily. All input pulses are supplied by pulse generators having the following characteristics: PRR = 1 MHz, Z_O = 50 Ω, t_r ≤ 6 ns, t_f ≤ 6 ns.
- B. Waveform 1 is for an output with internal conditions such that the output is low except when disabled by the output control. Waveform 2 is for an output with internal conditions such that the output is high except when disabled by the output control.
- C. For t_{PLZ} and t_{PHZ}, V_{OL} and V_{OH} are measured values.

Figure 6–1. Load Circuit and Voltage Waveforms

6.8 PCI Bus Parameter Measurement Information

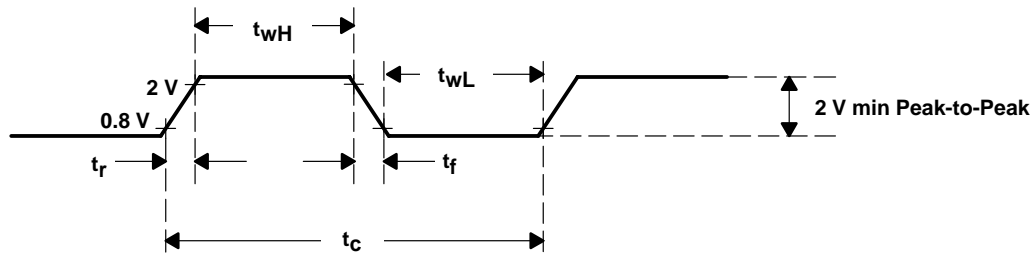


Figure 6-2. PCLK Timing Waveform

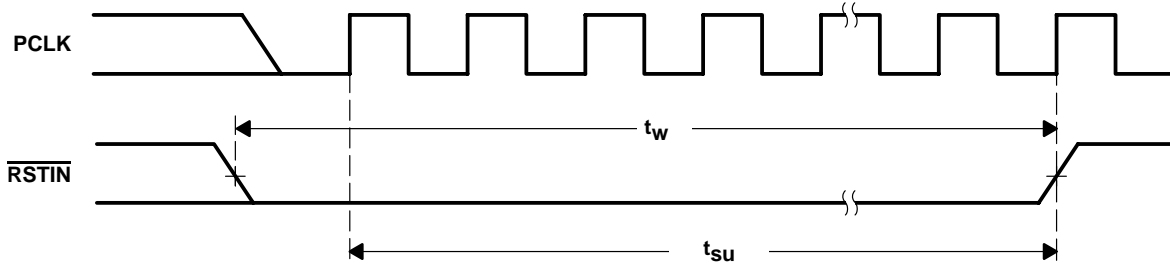


Figure 6-3. $\overline{\text{RSTIN}}$ Timing Waveforms

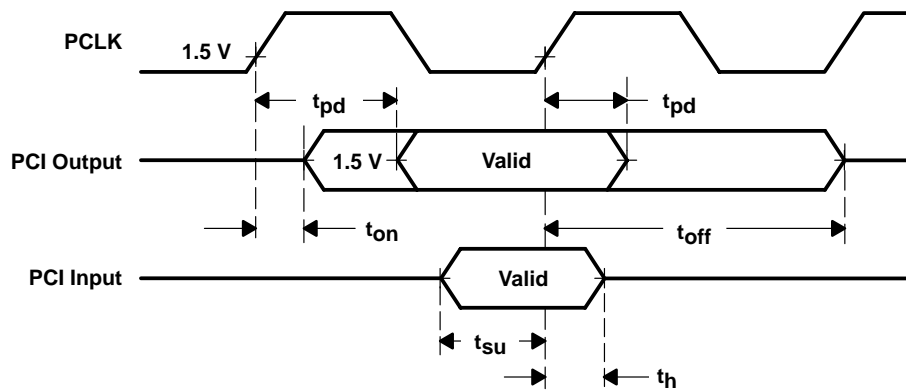
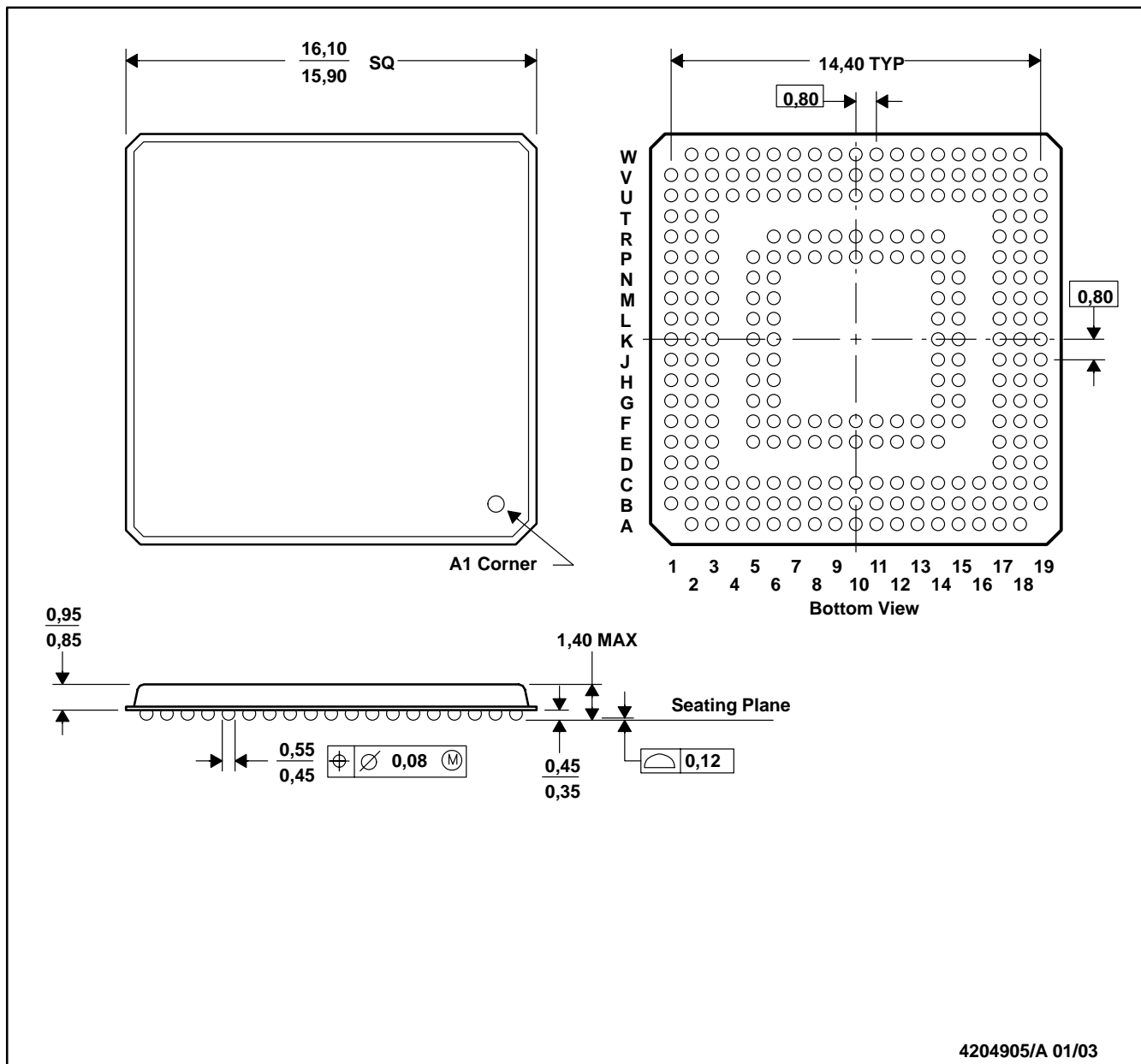


Figure 6-4. Shared-Signals Timing Waveforms

ZHK (S-PBGA-N257)

PLASTIC BALL GRID ARRAY

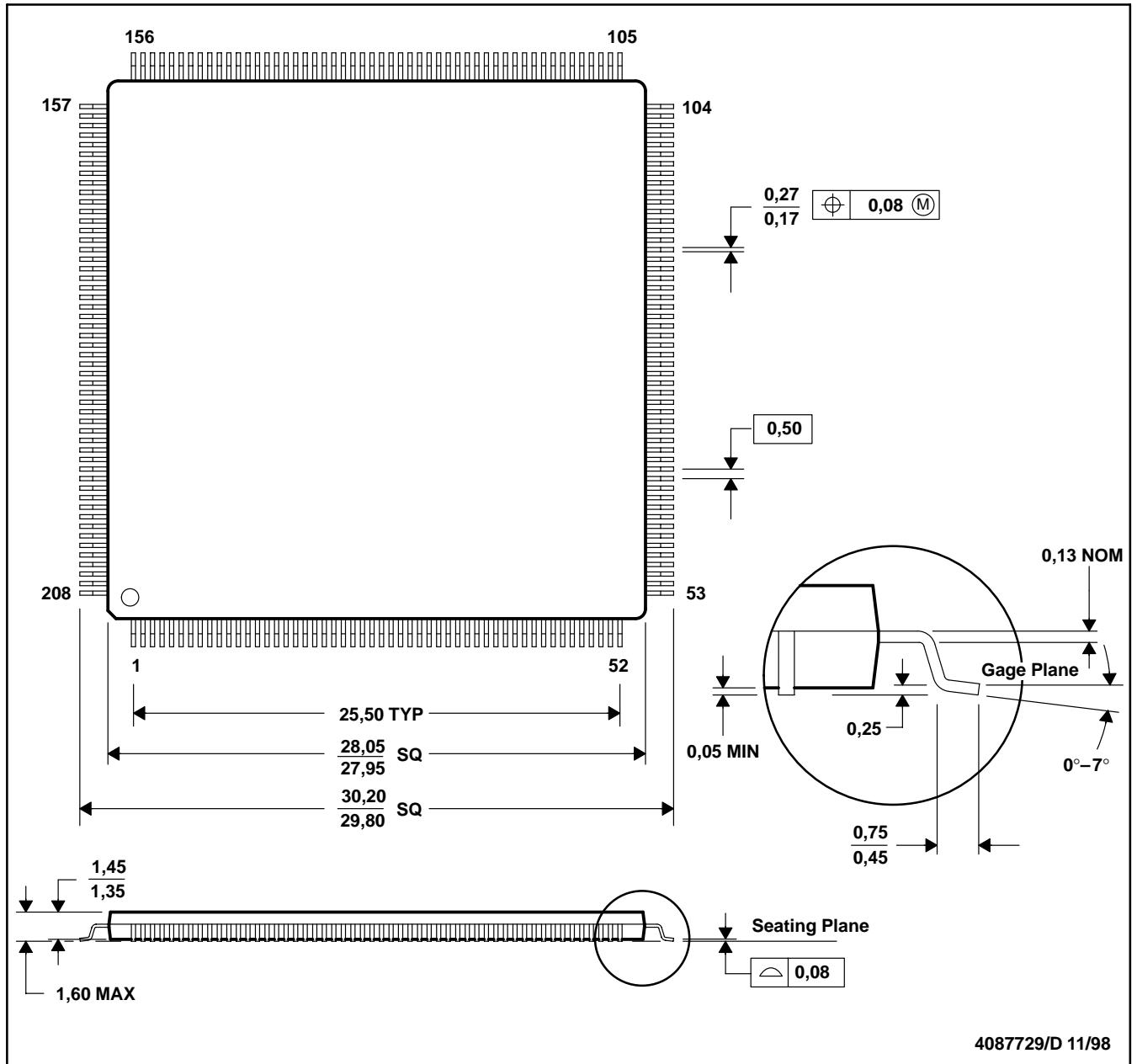


- NOTES: A. All linear dimensions are in millimeters.
 B. This drawing is subject to change without notice.
 C. MicroStar™ BGA configuration.
 D. This package is lead-free.

MicroStar is a trademark of Texas Instruments.

PDV (S-PQFP-G208)

PLASTIC QUAD FLATPACK



- NOTES: A. All linear dimensions are in millimeters.
 B. This drawing is subject to change without notice.
 C. Falls within JEDEC MS-026

Looking for pricing, stock, or lifecycle information?

Click below to explore more details on WIN SOURCE:

 [View PCI2050IZHK](#) on WIN SOURCE

 [Texas Instruments](#) Information

Optimize Your Supply Chain with WIN SOURCE Solutions

-  Global Sourcing Solution
-  Obsolete Management
-  Cost Control Management
-  Shortage Management
-  Alternative Solution
-  Excess Inventory Management