



**THE DATASHEET OF
IPD5019-760**



IPD50 SERIES CLASS I

50 Watt
ITE Desktop Power Supply

- Safety Approval - EN60950-1 Class I
- High Efficiency: Level VI
- Hold-up Time >10ms at full load
- Fully Regulated DC output
- EuP Directive Compliant
- LED Indicator
- 1-Year Limited Warranty



Model Number	Output Voltage	Output Current	Total Regulation ¹	Typical Efficiency ²
IPD5012-760	12.0V	4.25A	±5%	89.6%
IPD5015-760	15.0V	3.3A	±5%	89.9%
IPD5018-760	18.0V	2.8A	±5%	90.2%
IPD5019-760	19.0V	2.6A	±5%	90.3%
IPD5024-760	24.0V	2.1A	±5%	90.6%

Notes

- 1) Includes initial setting, line regulation, load regulation, and thermal drift.
2) Typical at 115VAC

INPUT	
Input Voltage	85 – 264VAC 100 – 240VAC Nominal
Input Frequency	47 – 63Hz
Input Current	<1.0A rms
Inrush Current	<60A at 230VAC cold start
Zero Load Power Consumption	<0.1W
Earth Leakage Current (Typical)	<100µA @ 132VAC @ 60Hz
	<150µA @ 264VAC @ 60Hz

OUTPUT	
Output Voltage	See Table
Total Regulation	+/-5%
Minimum Load	No minimum load required
Start-Up Delay	<1.5s
Hold-Up Time	>10ms at any input voltage
Ripple & Noise	<1% pk-pk **
Over Voltage Protection	112 – 135%
Over Temperature Protection	First Stage - Recoverable; plus 2nd stage - Non Recoverable
Over Current Protection	108 – 180%
Short Circuit Protection	Shutdown, auto-restart (hiccup mode)

Notes

**Ripple and noise measured with 20MHz bandwidth; 10µF tantalum capacitor in parallel with a 0.1µF ceramic capacitor.

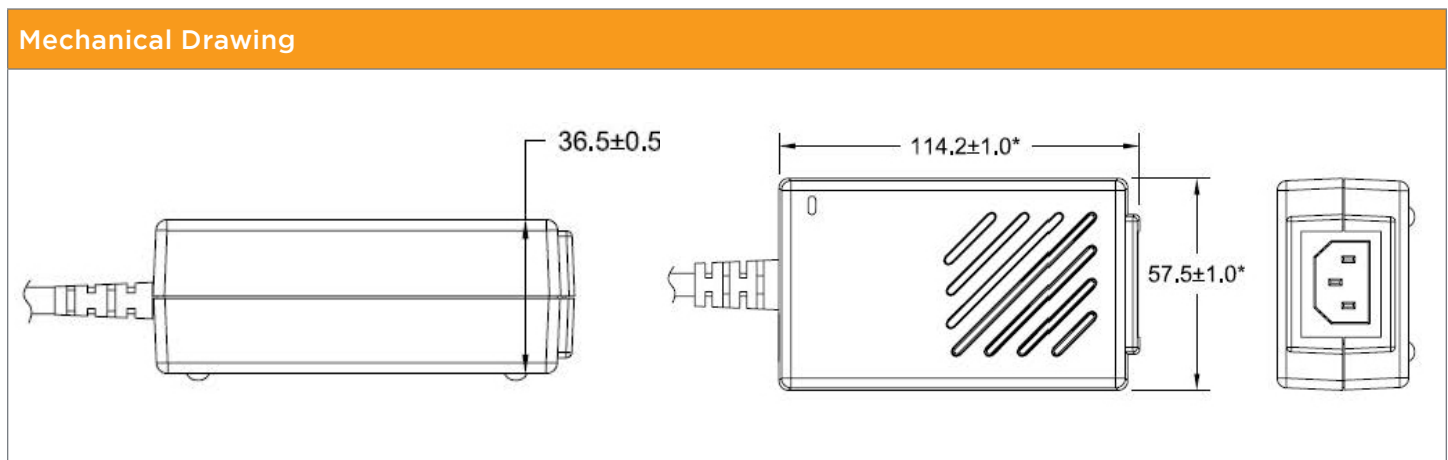
IPD50 SERIES - CLASS I

50 Watt

ITE Desktop Power Supply

General		Environmental		EMC & Safety	
Efficiency	Avg. Efficiency 90.7% @ 115VAC; 89.8% @ 230VAC	Operating Temperature	0 – 60°C (Full load to 40°C, derate linearly to 50% load at 60°C)	Emissions	FCC class B, CISPR22 class B EN6100-3-2, 3
MTBF	min. 100,000 hours calculated	Storage Temperature	-40°C to +85°C	Immunity	EN61000-4-2, -3, -4, -5, -6, -8, -11
Size	4.48" (114.2mm) x 2.26" (57.5mm) x 1.43" (36.5mm)	Relative Humidity	5-95%, non-condensing	Certified by TUV to the following:	cTUVus
Weight	0.4 lbs (0.20 Kg)	Cooling	Natural Convection		UL 606950-1
Power Density	3.43W/in ³	Altitude (Operating)	Rated to 5000M		CAN/CSA-22.2 No.950
					CB per IEC60950-1 2nd edition
					CE marked to LVD directive and RoHS II directive

Input Configuration		Output Configuration		Output Pin Assignments	
Standard Input Cable	Not Provided	Standard Output Cable	4ft	Center	+V1
Connection on Power Supply Body	IEC 320 C14 Receptacle	Cord Size	2x16awg zip	Outside	Return
		Connector (PSU side)	Switchcraft 760 or equivalent		
		Mating Connector	Switchcraft 760 or equivalent		



Looking for pricing, stock, or lifecycle information?

Click below to explore more details on WIN SOURCE:

 [View IPD5019-760 on WIN SOURCE](#)

 [Inventus Power Information](#)

Optimize Your Supply Chain with WIN SOURCE Solutions

-  Global Sourcing Solution
-  Obsolete Management
-  Cost Control Management
-  Shortage Management
-  Alternative Solution
-  Excess Inventory Management