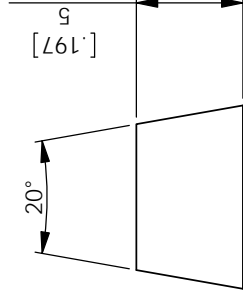
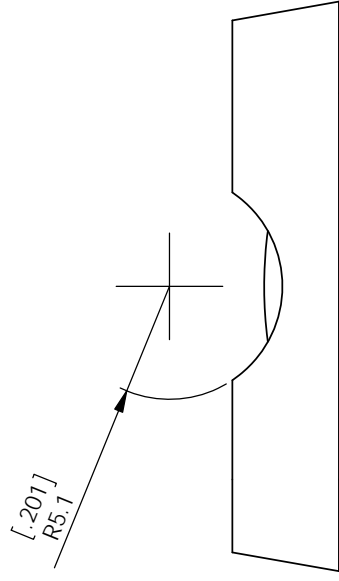
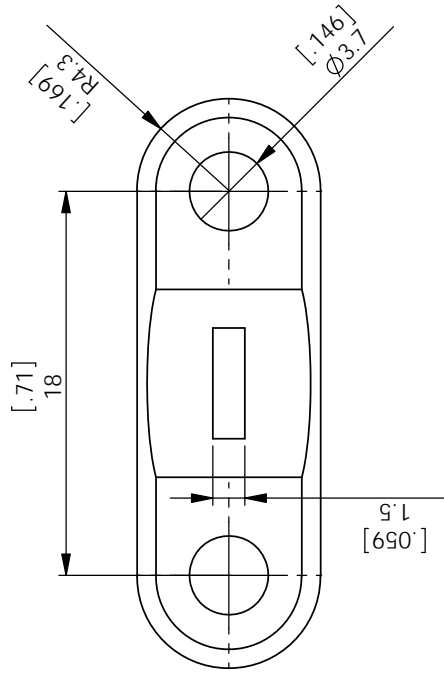


A B C D E

REV.	NE	MM	PA	AP	SEC	EC	EC	CC	CC
01									
02									
03									
04									
05									
06									
07									
08									



NOTES:
 1) MAX. CABLE LENGTH
 2) MAXIMUM SCREW
 M3 x 0.6, No.

ALTERNATE

INFORMATION CONTAINED
 HEREIN IS THE PROPERTY OF
 RICHCO INTERNATIONAL, INC.
 REPRODUCED IN WHOLE OR IN PART
 WITHOUT PERMISSION IS STRICTLY
 PROHIBITED.

RICHCO, INC.
 WWW.RICHCO-INC.COM

MATERIAL:
 NYLON 6/6 UL94

DESCRIPTION:
 STRAIN RELIEF

DRG No: 04-081

DRN	DATE
NJB	23/07/04

A B C D E

1

2

3

4

Looking for pricing, stock, or lifecycle information?

Click below to explore more details on WIN SOURCE:

- ⊖ [View SRCC-1 on WIN SOURCE](#)
- ⊖ [Essentra Components](#) Information

Optimize Your Supply Chain with WIN SOURCE Solutions

- ✓ Global Sourcing Solution
- ✓ Obsolete Management
- ✓ Cost Control Management
- ✓ Shortage Management
- ✓ Alternative Solution
- ✓ Excess Inventory Management