



### POWER MANAGEMENT

#### Description

The SC1541 is a high performance low dropout positive voltage regulator designed for use in applications where power management is critical, such as battery powered systems.

Additionally, the SC1541 provides excellent regulation over variations in line, load and temperature. Outstanding features include low dropout performance at rated current, fast transient response, internal current limiting and thermal shutdown protection of the output device. A very low quiescent current of 10 $\mu$ A in shutdown mode reduces power dissipation.

The SC1541 is available with three different voltage options as standard and two package options, SO-8 and 5-lead TO-263.

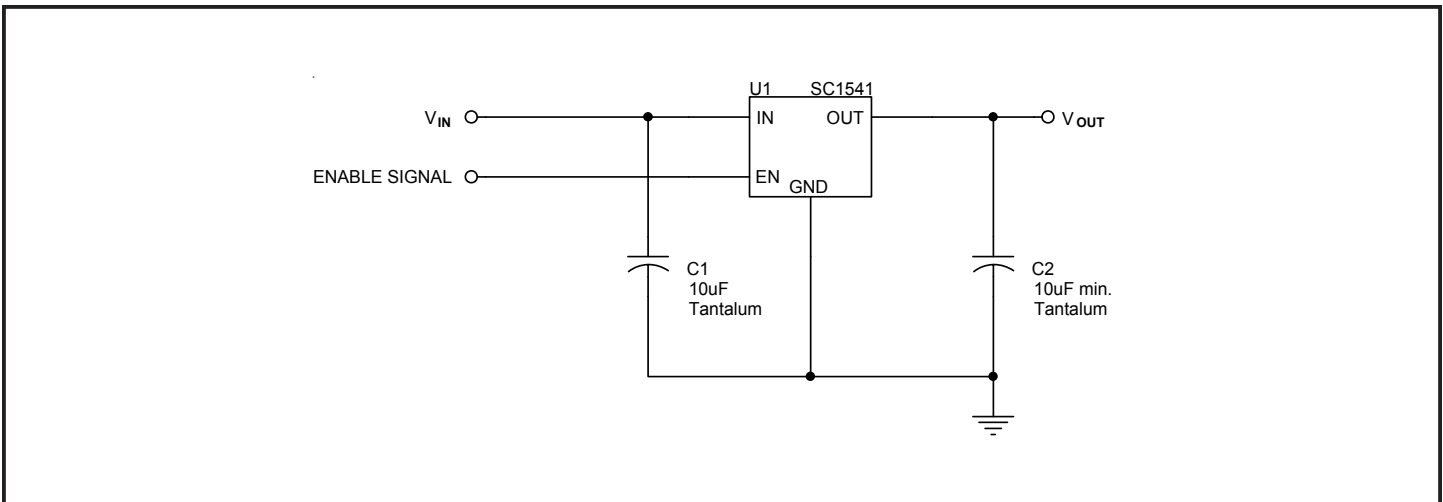
#### Features

- ◆ Low dropout performance, 1.3V max
- ◆ Full current rating over line and temperature
- ◆ Fast transient response
- ◆ +2% total output regulation over line, load and temperature
- ◆ 10 $\mu$ A max. quiescent current in shutdown
- ◆ Three fixed output voltages
- ◆ Line regulation 0.2% max.
- ◆ Load regulation 0.4% max.
- ◆ SO-8 and TO-263 packages

#### Applications

- ◆ Low voltage microcontrollers
- ◆ Switching power supply post-regulation
- ◆ Instantly available circuits
- ◆ Motherboards
- ◆ Battery operated equipment

#### Typical Application Circuit



#### Notes:

- (1) Input and output capacitors should be located close to the device.
- (2) Connect all pins to PCB (SO-8 package) for optimal thermal characteristics.
- (3) Increasing the output capacitor value will improve the overall transient response.
- (4) The device is enabled when  $V_{EN} = V_{IN}$ , and shut down when EN is pulled to ground. EN should not be taken higher than  $V_{IN}$ . A CMOS signal referenced to  $V_{IN}$  would be ideal for switching the SC1541 on and off.

**POWER MANAGEMENT**
**Absolute Maximum Ratings**

Exceeding the specifications below may result in permanent damage to the device, or device malfunction. Operation outside of the parameters specified in the Electrical Characteristics section is not implied.

Parameter	Symbol	Maximum	Units
Maximum Input Pin Voltage	$V_{IN}, V_{EN}$	7	V
Power Dissipation	$P_D$	Internally Limited	W
Thermal Resistance Junction to Case SO-8 TO-263	$\theta_{JC}$	39 3	°C/W
Thermal Resistance Junction to Ambient SO-8 <sup>(1)</sup> TO-263	$\theta_{JA}$	65 60	°C/W
Operating Junction Temperature Range	$T_J$	0 to 125	°C
Storage Temperature Range	$T_{STG}$	-65 to 150	°C
Lead Temperature (Soldering) 10 Sec	$T_{LEAD}$	300	°C

**Note:**

(1) 1 inch square of 1/16" FR-4, double sided, 1 oz. minimum copper weight.

**Electrical Characteristics**

Unless otherwise specified:  $I_O = 0mA$  to 1A,  $V_{EN} = V_{IN}$ , 1.8V Option:  $V_{IN} = 3.2V$  to 7.0V, 2.5 Option:  $V_{IN} = 3.9V$  to 7.0V, 3.3V Option:  $V_{IN} = 4.7V$  to 7.0V. Values in **bold** apply over full operating temperature range.

Parameter	Symbol		Min	Typ	Max	Units
Output Voltage <sup>(1)</sup>	$V_{OUT}$	$V_{IN} = 5V, I_{OUT} = 0mA$	-1	$V_{OUT}$	+1	%
			<b>-2</b>		<b>+2</b>	
Line Regulation <sup>(1)</sup>	$REG_{(LINE)}$	$I_{OUT} = 10mA$		0.035	<b>0.2</b>	%
Load Regulation <sup>(1)</sup>	$REG_{(LOAD)}$	$V_{IN} = 5V$		0.2	<b>0.4</b>	%
Dropout Voltage <sup>(1)(2)</sup>	$V_D$	$I_{OUT} = 1A$		1.10	<b>1.30</b>	V
Current Limit <sup>(1)</sup>	$I_{CL}$		<b>1.1</b>			A
Quiescent Current	$I_Q$	$V_{IN} = V_{EN} = 5V$		5	7	mA
					<b>10</b>	
		$V_{IN} = 5V, V_{EN} < 0.25V$		6	8	$\mu A$
Enable Pin Control Voltage	$V_{EN}$	Device OFF	<b>0.25</b>	0.45		V
		Device ON		$(V_{OUT} + 0.5)$	<b><math>(V_{OUT} + 0.8)</math></b>	
Enable Pin Current	$I_{EN}$	$V_{EN} = 0V, V_{IN} = 5V$ (OFF)		0.1	<b>1.0</b>	$\mu A$
		$V_{EN} = V_{IN} = 5V$ (ON)		15	<b>25</b>	

**POWER MANAGEMENT**
**Electrical Characteristics (Cont.)**

Unless otherwise specified:  $I_O = 0\text{mA}$  to  $1\text{A}$ ,  $V_{EN} = V_{IN}$ ,  $1.8\text{V}$  Option:  $V_{IN} = 3.2\text{V}$  to  $7.0\text{V}$ ,  $2.5$  Option:  $V_{IN} = 3.9\text{V}$  to  $7.0\text{V}$ ,  $3.3\text{V}$  Option:  $V_{IN} = 4.7\text{V}$  to  $7.0\text{V}$ . Values in **bold** apply over full operating temperature range.

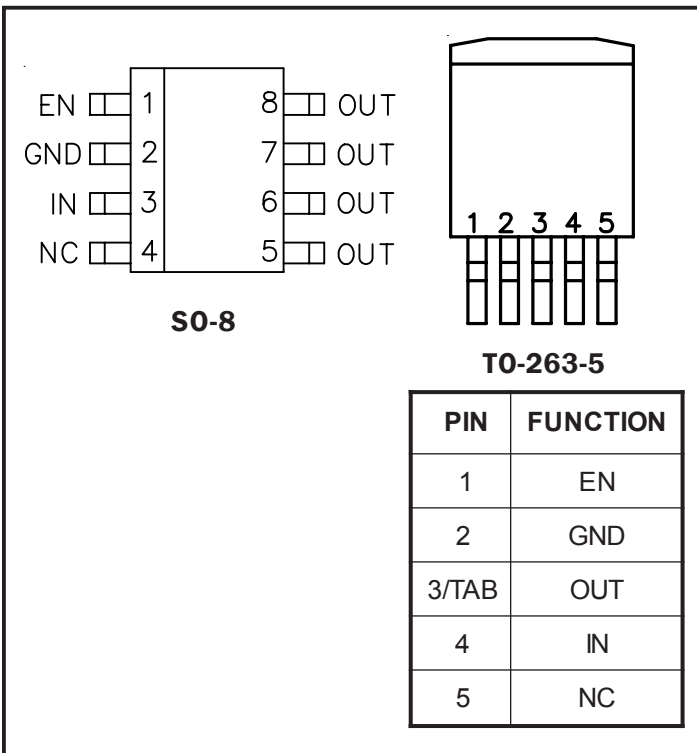
Parameter	Symbol		Min	Typ	Max	Units
Temperature Coefficient	$T_C$			<b>0.005</b>		%/C
Temperature Stability	$T_S$			<b>0.5</b>		%
RMS Output Noise <sup>(3)</sup>	$V_N$			0.003		% $V_{OUT}$
Ripple Rejection Ratio <sup>(4)</sup>	$R_A$	$V_{IN} = 5\text{V}$	<b>60</b>	72		dB

**Notes:**

- (1) Low duty cycle pulse testing with Kelvin connections required.
- (2)  $\Delta V_{OUT}, \Delta V_{REF} = 1\%$ .
- (3) Bandwidth of 10 Hz to 10kHz.
- (4) 120Hz input ripple.
- (5) This device is ESD sensitive. Use of standard ESD handling precautions is required.

**POWER MANAGEMENT**

**Pin Configurations**



PIN	FUNCTION
1	EN
2	GND
3/TAB	OUT
4	IN
5	NC

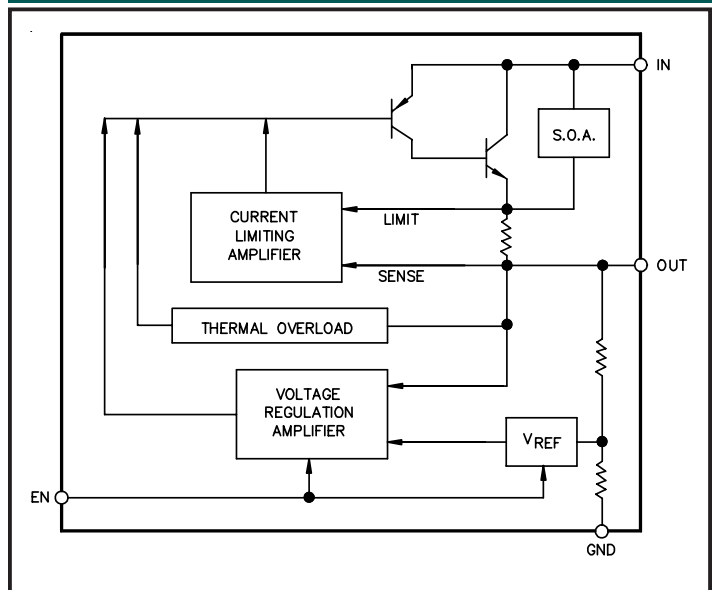
**Ordering Information**

Device <sup>(1)(2)</sup>	Package
SC1541CM-X.X.TR	TO-263-5
SC1541CM-X.X.TRT <sup>(3)</sup>	
SC1541CS-X.X.TR	SO-8
SC1541CS-X.X.TRT <sup>(3)</sup>	

**Notes:**

- (1) Where X.X denotes voltage options. Available voltages are: 1.8V, 2.5V and 3.3V. Contact factory for additional voltage options.
- (2) Only available in tape and reel packaging. A reel contains 800 (TO-263-5) or 2500 (SO-8) devices.
- (3) Halogen Free, and RoHS/WEEE compliant.

**Block Diagram**

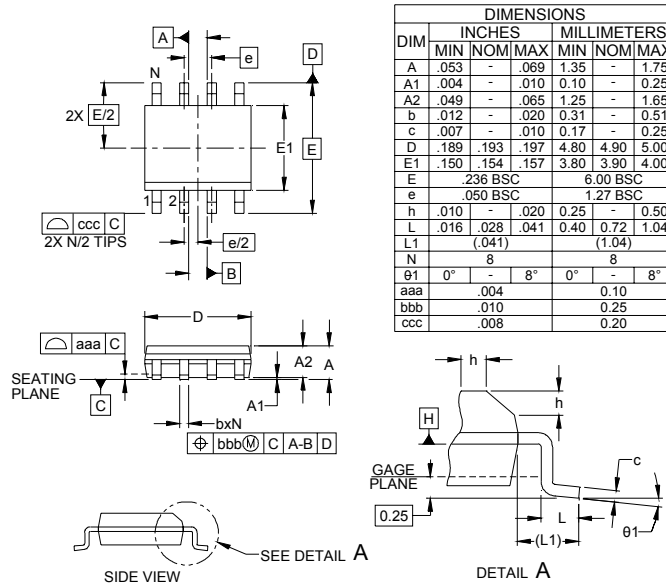


**Pin Descriptions**

Pin Name	SO-8 Pin #	TO-263-5 Pin #	Pin Function
EN	1	1	Active high enable for the regulator output. Connect to $V_{IN}$ if not being used.
GND	2	2	Ground pin. Bottom end of the internal feedback resistor chain.
NC	4	5	No connection.
IN	3	4	This is the input supply pin for the device.
OUT	5, 6, 7, 8	3/TAB	This is the power output of the device. This pin is electrically connected to the tab of the TO-263-5 package.

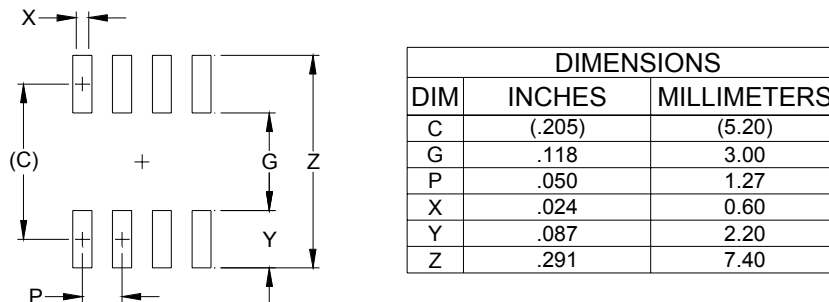
POWER MANAGEMENT

Outline Drawing - SO-8



- NOTES:
1. CONTROLLING DIMENSIONS ARE IN MILLIMETERS (ANGLES IN DEGREES).
  2. DATUMS  $\boxed{-A-}$  AND  $\boxed{-B-}$  TO BE DETERMINED AT DATUM PLANE  $\boxed{-H-}$ .
  3. DIMENSIONS "E1" AND "D" DO NOT INCLUDE MOLD FLASH, PROTRUSIONS OR GATE BURRS.
  4. REFERENCE JEDEC STD MS-012, VARIATION AA.

Land Pattern - SO-8<sup>(1)</sup>



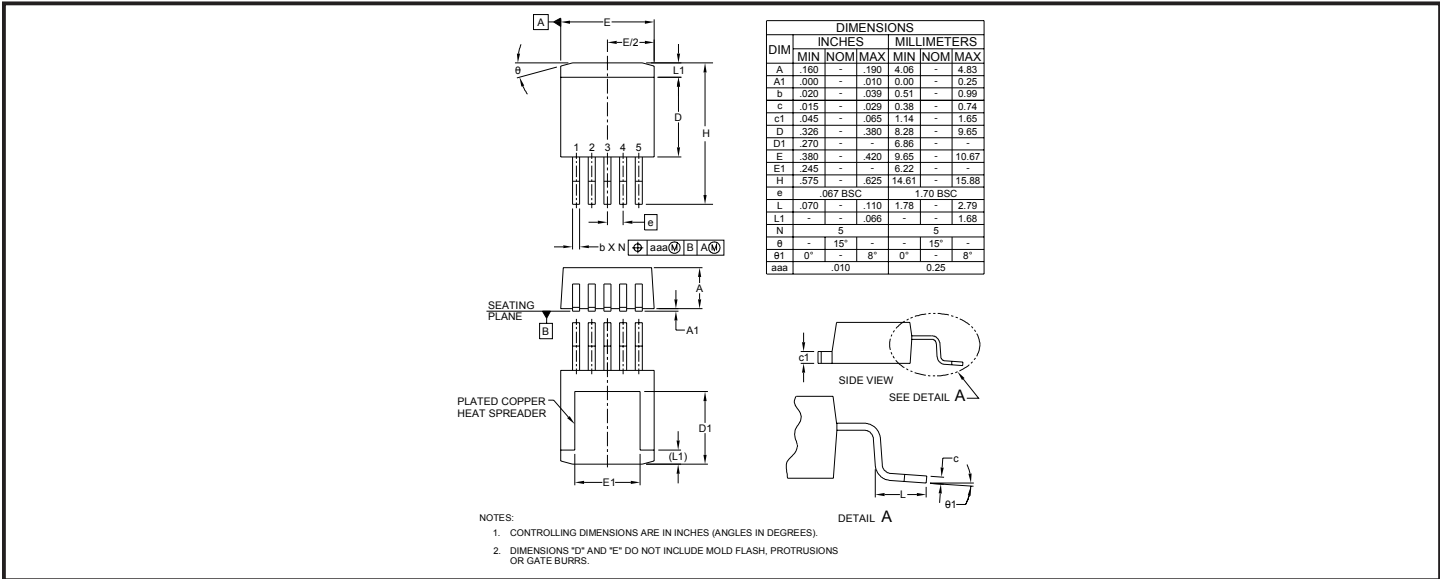
- NOTES:
1. THIS LAND PATTERN IS FOR REFERENCE PURPOSES ONLY. CONSULT YOUR MANUFACTURING GROUP TO ENSURE YOUR COMPANY'S MANUFACTURING GUIDELINES ARE MET.
  2. REFERENCE IPC-SM-782A, RLP NO. 300A.

Note:

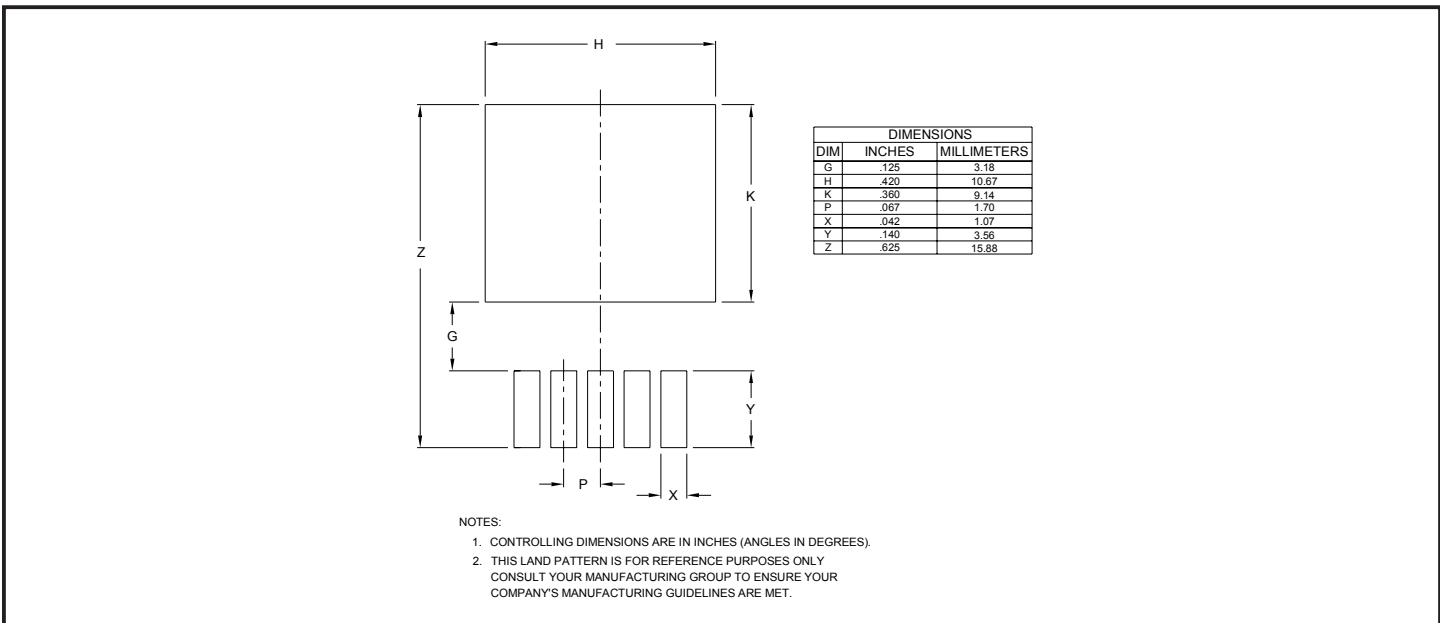
(1) More copper area should be used to lower  $R_{TH(J-A)}$  as needed.

**POWER MANAGEMENT**

**Outline Drawing - T0-263-5**



**Land Pattern - T0-263-5<sup>(1)</sup>**



**Note:**



(1) More copper area should be used to lower  $R_{TH(J-A)}$  as needed.

**Contact Information**

Semtech Corporation  
 Power Management Products Division  
 200 Flynn Road, Camarillo, CA 93012  
 Phone: (805)498-2111 FAX (805)498-3804

## Looking for pricing, stock, or lifecycle information?

Click below to explore more details on WIN SOURCE:

-  [View SC1541CM-3.3TRT on WIN SOURCE](#)
-  [Semtech Corporation](#) Information

## Optimize Your Supply Chain with WIN SOURCE Solutions

-  Global Sourcing Solution
-  Obsolete Management
-  Cost Control Management
-  Shortage Management
-  Alternative Solution
-  Excess Inventory Management