

NOTES:

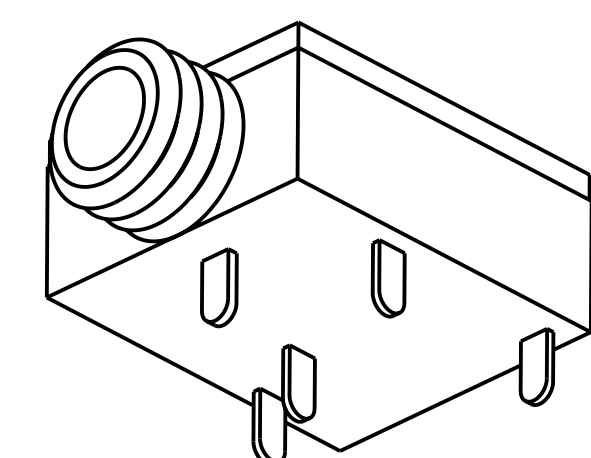
1. ELECTRICAL:  
 CONTACT RESISTANCE: 20 MILLIOHMS MAX. INITIAL  
 100 MILLIOHMS MAX. AFTER LIFE  
 INSULATION RESISTANCE: 100 MEGAOHMS MIN.  
 DIELECTRIC WITH STANDING VOLTAGE: 250 VAC.

2. MECHANICAL:  
 LIFE: 5000 CYCLES  
 INSERTION FORCE: 0,4 KG TO 1,6 KG  
 WITHDRAWAL FORCE: 0,4 KG TO 1,4 KG

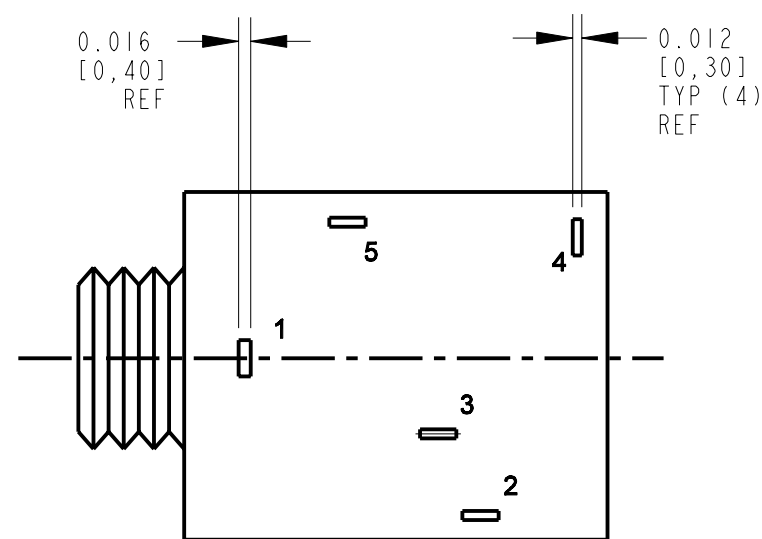
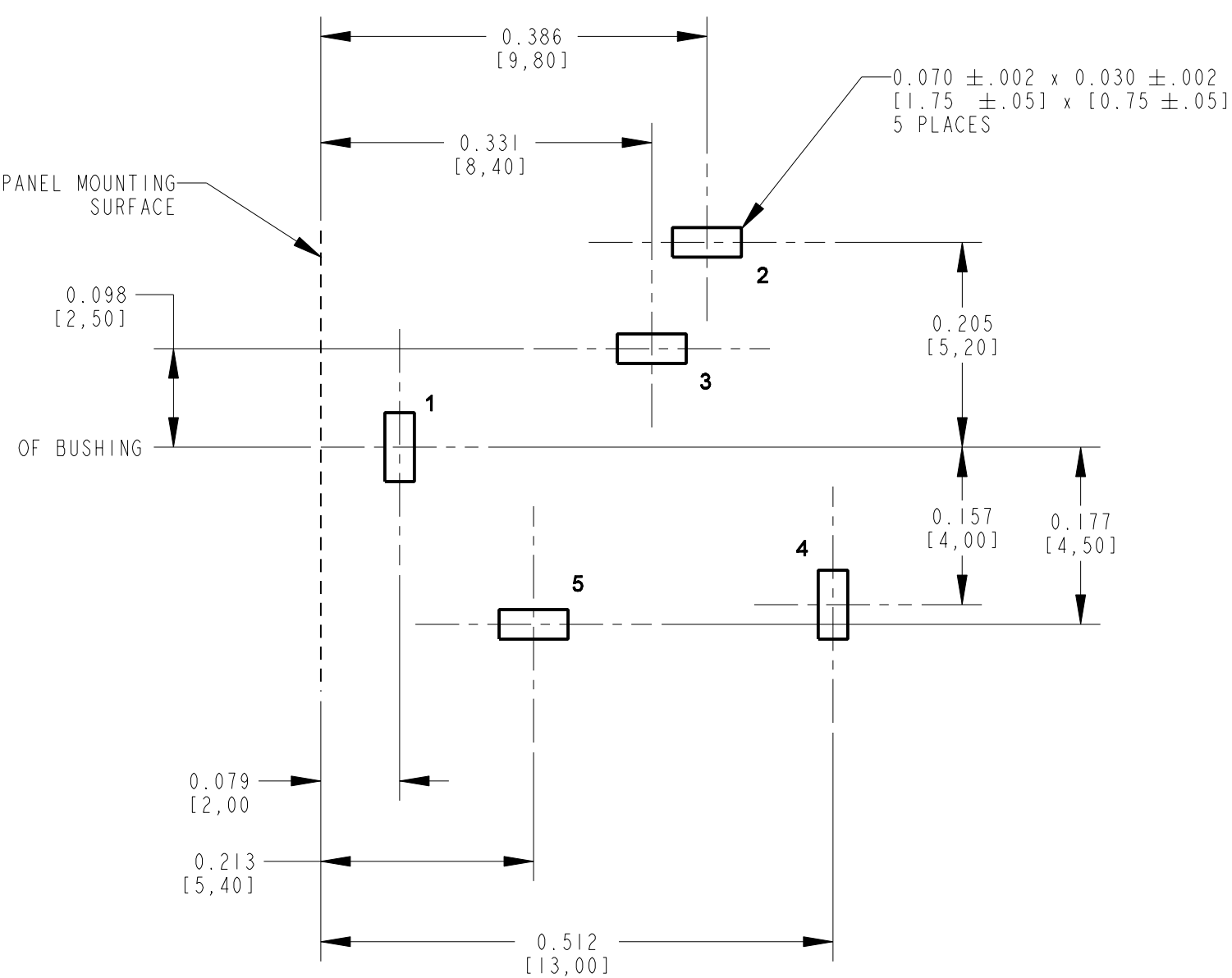
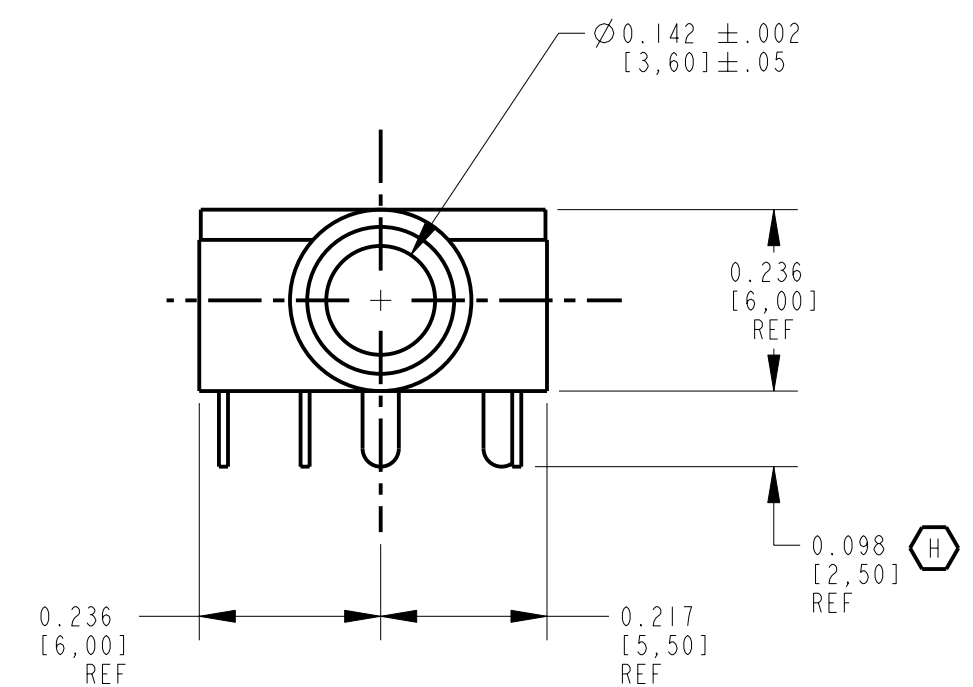
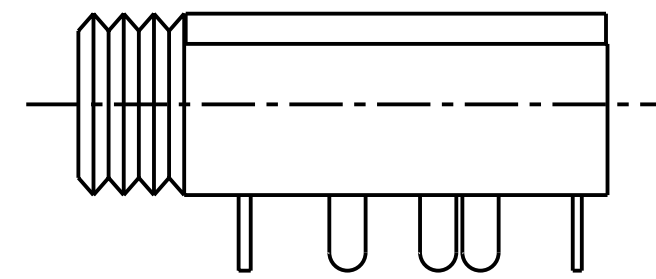
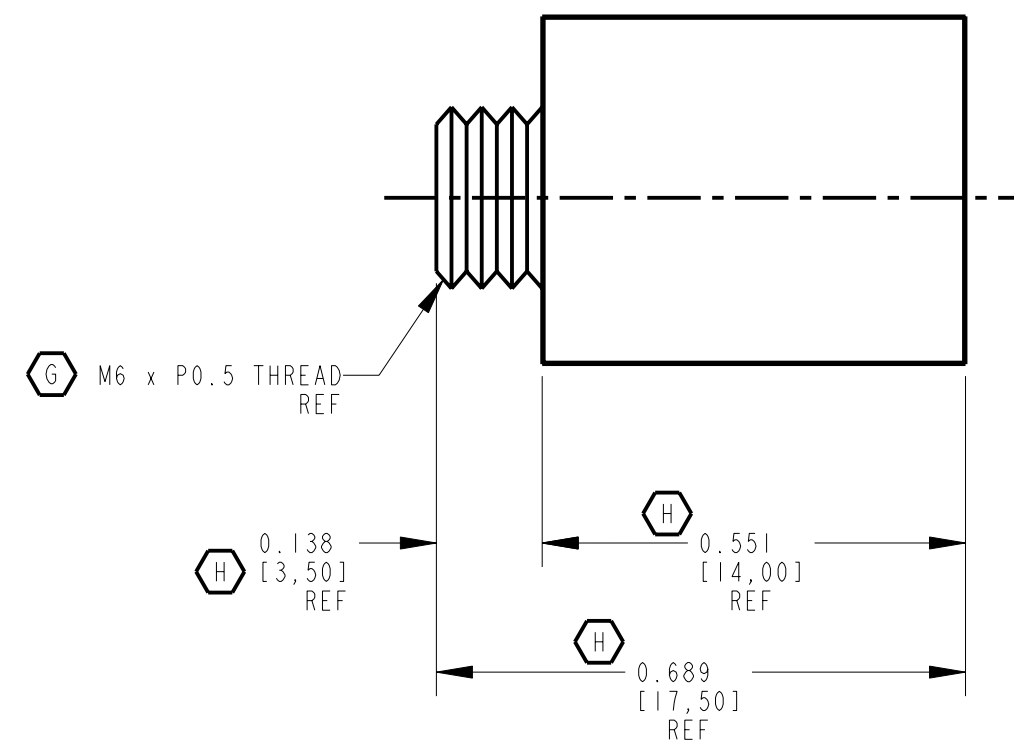
3. MATERIALS:  
 HOUSING: PBT BLACK, UL94-V0  
 BUSHING: BRASS, NICKEL PLATED  
 SPRINGS: COPPER ALLOY, SILVER PLATED  
 COVER: POLYCARBONATE, CLEAR, UL94-V0

4. MOUNTING NUT HARDWARE INCLUDED.

5. THIS PRODUCT IS RoHS COMPLIANT.



SCALE 4:1



PART NO.	SCHEMATIC
35RAPC3BH3	
35RAPC4BH3	
35RAPC2BH3	
35RAPC2AH3	

RECOMMENDED PC BOARD  
 COMPONENT SIDE

CUSTOMER DRAWING

SUPPLIED WITH KNURL NUT

★ STAR SYMBOL DENOTES CRITICAL DIMENSION				THIS DRAWING DESCRIBES A DESIGN CONSIDERED PROPRIETARY IN NATURE, DEVELOPED AND MANUFACTURED BY SWITCHCRAFT INC. AND IS RELEASED ON A CONFIDENTIAL BASIS FOR IDENTIFICATION PURPOSES ONLY.				
UNLESS OTHERWISE SPECIFIED				SIZE	WIDTH	MULT	LBS/M	TEMPER
1. ALL DIMENSIONS IN INCHES				FINISH				MATERIAL
- TWO PLACE DECIMALS ±0.01				SPEC No.				SPEC No.
- THREE PALCE DECIMALS ±0.005				FIRST USED ON				SCALE
- FRACTIONAL DIMENSIONS ±1/64				DATE DRAWN				4:1
- ANGLES ±1°				BY				APVD
- ALL DIA. CONCENTRIC WITHIN 0.005 T.I.R.				9-Dec-93				ES
2. FEATURES ON THE SAME CENTERLINE MUST BE ALIGNED WITHIN ±0.002				12-10-93				EBR
3. REMOVE ALL BURRS				NAME				3.5MM HORIZONTAL STEREO JACK, RoHS
DO NOT SCALE DRAWING				PART No.				35RAPC_H3
REVISIONS				SHEET				OF
REV	ECO NUMBER	DATE	BY	APVD	REV			J




Looking for pricing, stock, or lifecycle information?

Click below to explore more details on WIN SOURCE:

 [View 35RAPC2AH3 on WIN SOURCE](#)

 [Switchcraft Inc. Information](#)

### Optimize Your Supply Chain with WIN SOURCE Solutions

-  Global Sourcing Solution
-  Obsolete Management
-  Cost Control Management
-  Shortage Management
-  Alternative Solution
-  Excess Inventory Management