

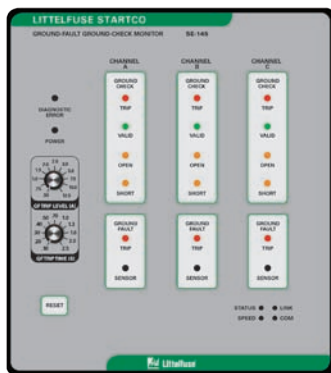


THE DATASHEET OF SE-105LTC

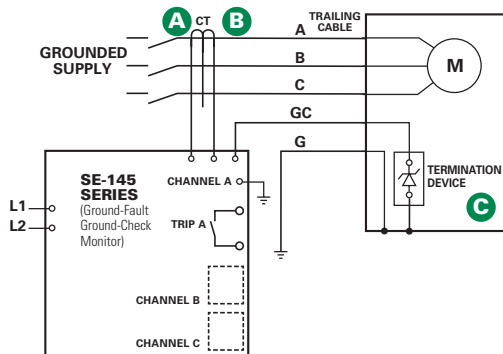


SE-145 SERIES

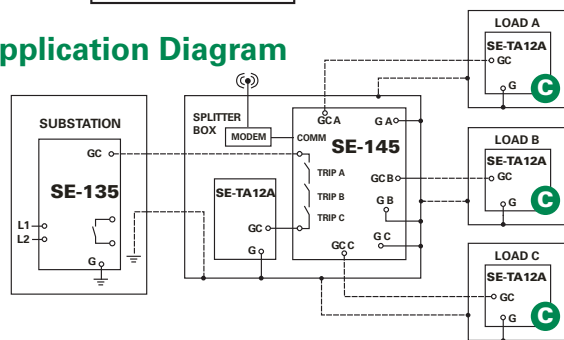
Ground-Fault Ground-Check Monitor



Simplified Circuit Diagram



Application Diagram



Ordering Information

| ORDERING NUMBER | CONTROL POWER | COMM |
|-----------------|--------------------------|-------------------------|
| SE-145-00-00 | 120/240 Vac; 110-250 Vdc | — |
| SE-145-03-00 | 120/240 Vac; 110-250 Vdc | Modbus [®] TCP |
| SE-145-30-00 | 24 Vdc Battery Back-up | — |
| SE-145-33-00 | 24 Vdc Battery Back-up | Modbus [®] TCP |

| ACCESSORIES | REQUIREMENT |
|---------------------------|-------------|
| SE-CS10 or SE-CS40 Series | Required |
| SE-TA12A Series | Required |
| RK-132 | Optional |

See Current Transformer Selection Guide and Accessory Information.

Description

The SE-145 is a three-channel, microprocessor-based, combination ground-wire monitor and ground-fault relay for resistance-grounded or solidly grounded systems. It continuously monitors the integrity of the ground wire to protect portable equipment from hazardous voltages caused by ground faults. The SE-145 is designed for use on three-way splitter box applications.

Features & Benefits

| FEATURES | BENEFITS |
|--|---|
| Adjustable pickup (0.5-12.5 A) | Unit can be used on a wide variety of trailing cable applications |
| Adjustable time delay (1-2.5 s) | Adjustable trip delay for quick protection and system coordination |
| Output contacts | Separate annunciation of ground-fault and ground-check faults |
| Ground-check LED indication | Indication of open or short ground-check wire makes it easier to find faults |
| CT-Loop monitoring | Alarms when CT is not connected |
| High-induced-ac rejection | Makes unit suitable for applications with high voltages and long cables |
| DFT (harmonic) filter | Prevents false operation |
| Zener-characteristic termination assembly | Provides reliable ground-check loop verification |
| Fail-safe circuits | Ensures ground-check and ground-fault circuits remain safe even in the event of equipment failure |
| Conformal coating | Additional coating protects circuit boards against harsh environment |

Accessories



- A** **SE-CS10 Series Ground-Fault Current Transformer**
Zero-sequence current transformer detects ground-fault current. Provides 0.5 to 12.5 A trip range.
- B** **SE-CS40 Series Ground-Fault Current Transformer**
Zero-sequence current transformer detects ground-fault current. Provides 2.0 to 50 A trip range.
- C** **SE-TA12A Series Termination Assembly**
Required termination assembly; temperature compensated.

Specifications

| | |
|-------------------------------|--|
| IEEE Device Numbers | Checking or Interlocking Relay (3GC), Ground fault (50G/N, 51G/N) |
| Input Voltage | 60-265 Vac, 60VA; 82-275 Vdc, 45W; 18-30Vdc, 45W |
| Dimensions | H 213 mm (8.4"); W 192 mm (7.6"); D 176 mm (7.0") |
| Trip Level Settings | 0.5-12.5 A or 2.0-50.0 A |
| Trip Time Settings | 0.1-2.5 s |
| Contact Operating Mode | Selectable fail-safe or non-fail-safe |
| Harmonic Filtering | Standard feature |
| Test Button | Standard feature |
| Reset Button | Standard feature |
| Communications | Ethernet Optional |
| Output Contacts | Isolated Form A and Form B |
| Conformally Coated | Standard feature |
| Warranty | 5 years |
| Mounting | Panel, Surface |

Looking for pricing, stock, or lifecycle information?

Click below to explore more details on WIN SOURCE:

-  [View SE-105LTC on WIN SOURCE](#)
-  [Littelfuse Inc. Information](#)

Optimize Your Supply Chain with WIN SOURCE Solutions

-  Global Sourcing Solution
-  Obsolete Management
-  Cost Control Management
-  Shortage Management
-  Alternative Solution
-  Excess Inventory Management