



**THE DATASHEET OF  
SIT8103AC-23-33E-33.33300X**



### ■ Features, Benefits and Applications

- MEMS oscillator with LVCMOS/LVTTL compatible output
- 1-110 MHz frequency range
- Frequency stability as low as  $\pm 20$  PPM
- Typical current consumption of 6.1 mA in active mode
- Standby or output enable modes
- 1.8V, 2.5V - 3.3V supply voltage
- SoftEdge™ configurable rise/fall time for driving higher loads or EMI reduction.
- Four industry-standard packages: 2.5 x 2.0, 3.2 x 2.5, 5.0 x 3.2, 7.0 x 5.0 mm
- All-silicon device with outstanding reliability of 2 FIT, 10x improvement over quartz-based devices
- Ultra short lead time
- Ideal for consumer electronics: video, set top boxes, HDTV, DVR, scanners, printers, IP camera, etc.
- Ideal for high-speed serial protocols: Ethernet, USB, SATA, SAS, Fibre Channel, Firewire, PCI Express

### ■ Specifications

#### Electrical Characteristics<sup>[1]</sup>

| Parameter                   | Symbol   | Min. | Typ. | Max. | Unit    | Condition   |
|-----------------------------|----------|------|------|------|---------|---|
| Output Frequency Range      | f        | 1    | –    | 110  | MHz     |   |
| Frequency Stability         | F_stab   | -20  | –    | +20  | PPM     | Inclusive of: Initial stability, operating temperature, rated power, supply voltage change, load change, shock and vibration.<br><br><b><math>\pm 20</math> PPM available in extended commercial temperature only</b> |
|                             |          | -25  | –    | +25  | PPM     |   |
|                             |          | -30  | –    | +30  | PPM     |   |
|                             |          | -50  | –    | +50  | PPM     |   |
| Aging                       | Ag       | -1.0 | –    | 1.0  | PPM     | 1st year at 25°C  |
| Operating Temperature Range | T_use    | -20  | –    | +70  | °C      | Extended Commercial   |
|                             |          | -40  | –    | +85  | °C      | Industrial  |
| Supply Voltage              | Vdd      | 1.71 | 1.8  | 1.89 | V       | Any voltage between 2.5V and 3.3V is supported with 1 decimal point resolution.   |
|                             |          | 2.25 | 2.5  | 2.75 | V       |   |
|                             |          | 2.52 | 2.8  | 3.08 | V       |   |
|                             |          | 2.97 | 3.3  | 3.63 | V       |   |
| Current Consumption         | Idd      | –    | 6.7  | 7.5  | mA      | No load condition, f = 20 MHz, Vdd = 2.5 V, 2.8 V or 3.3 V  |
|                             |          | –    | 6.1  | 6.7  | mA      | No load condition, f = 20 MHz, Vdd = 1.8 V  |
| Standby Current             | I_std    | –    | 2.4  | 4.3  | $\mu$ A | $\overline{ST}$ = GND, Vdd = 3.3 V, Output is Weakly Pulled Down  |
|                             |          | –    | 1.2  | 2.2  | $\mu$ A | $\overline{ST}$ = GND, Vdd = 2.5 or 2.8 V, Output is Weakly Pulled Down   |
|                             |          | –    | 0.4  | 0.8  | $\mu$ A | $\overline{ST}$ = GND, Vdd = 1.8 V, Output is Weakly Pulled Down  |
| Duty Cycle                  | DC       | 45   | 50   | 55   | %       | All Vdds. f $\leq$ 75 MHz   |
|                             |          | 40   | 50   | 60   | %       | All Vdds. f > 75 MHz  |
| Rise/Fall Time              | Tr, Tf   | –    | 1    | 2    | ns      | 15pF load, 20% - 80% Vdd=2.5V, 2.8V or 3.3V   |
|                             |          | –    | 1.3  | 2.5  | ns      | 15pF load, 20% - 80% Vdd=1.8V   |
|                             |          | –    | 1.9  | 2.6  | ns      | 30pF load, 20% - 80% Vdd=2.5V, 2.8V or 3.3V   |
|                             |          | –    | 2.3  | 3.3  | ns      | 30pF load, 20% - 80% Vdd=1.8V   |
|                             |          | –    | 2.9  | 3.9  | ns      | 45pF load, 20% - 80% Vdd=2.5V, 2.8V or 3.3V   |
|                             |          | –    | 3.4  | 4.6  | ns      | 45pF load, 20% - 80% Vdd=1.8V   |
| Output Voltage High         | VOH      | 90%  | –    | –    | Vdd     | IOH = -4 mA (Vdd = 3.3 V)   |
| Output Voltage Low          | VOL      | –    | –    | 10%  | Vdd     | IOH = -3 mA (Vdd = 2.8 V and Vdd = 2.5 V)<br>IOH = -2 mA (Vdd = 1.8 V)  |
| Input Voltage High          | VIH      | 70%  | –    | –    | Vdd     | Pin 1, OE or $\overline{ST}$  |
| Input Voltage Low           | VIL      | –    | –    | 30%  | Vdd     | Pin 1, OE or $\overline{ST}$  |
| Startup Time                | T_start  | –    | –    | 10   | ms      | Measured from the time Vdd reaches its rated minimum value  |
| Resume Time                 | T_resume | –    | 3.0  | 4    | ms      | Measured from the time ST pin crosses 50% threshold   |
| RMS Period Jitter           | T_jitt   | –    | –    | 4.0  | ps      | f = 75 MHz, Vdd = 2.5 V, 2.8 V or 3.3 V   |
|                             |          | –    | –    | 6.5  | ps      | f = 75 MHz, Vdd = 1.8 V   |
| RMS Phase Jitter (random)   | T_phj    | –    | 0.6  | –    | ps      | f = 75 MHz @ BW: 900 kHz to 7.5 MHz, VDD = 2.5 V to 3.3 V   |
|                             |          | –    | 0.8  | –    | ps      | f = 75 MHz @ BW: 900 kHz to 7.5 MHz, VDD = 1.8 V  |

#### Note:

1. All electrical specifications in the above table are measured with 15pF output load, unless stated otherwise in the Condition. For more information about SoftEdge™ rise/fall time for driving higher output load or reducing EMI, download <http://www.sitime.com/support2/documents/AN10022-rise-and-fall-time-rev1.1.pdf>.

### Pin Description Tables

| Pin #1 Functionality                                       |
|--|
| <b>OE</b>  |
| H or Open <sup>[2]</sup> : specified frequency output      |
| L: output is high impedance                                |
| <b><math>\overline{\text{ST}}</math></b>                   |
| H or Open: specified frequency output                      |
| L: output is low level (weak pull down). Oscillation stops |

| Pin Map |                            |
|---------|----------------------------|
| Pin     | Connection                 |
| 1       | OE/ $\overline{\text{ST}}$ |
| 2       | GND                        |
| 3       | CLK                        |
| 4       | VDD                        |

### Absolute Maximum Table

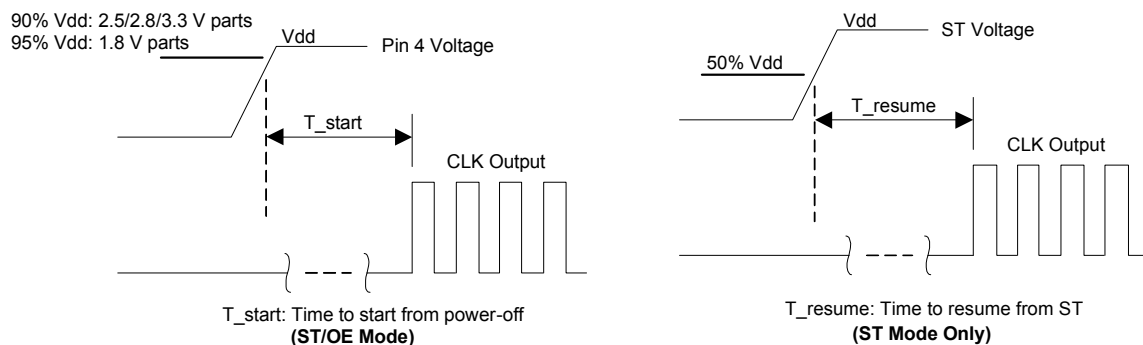
Attempted operation outside the absolute maximum ratings of the part may cause permanent damage to the part. Actual performance of the IC is only guaranteed within the operational specifications, not at absolute maximum ratings.

| Parameter  | Min.   | Max. | Unit  |
|--|--------|------|-------|
| Storage Temperature  | -65    | 150  | °C    |
| VDD  | -0.5   | 4    | V     |
| Electrostatic Discharge  | –      | 6000 | V     |
| Theta JA (with copper plane on VDD and GND)                          | –      | 75   | °C/W  |
| Theta JC (with PCB traces of 0.010 inch to all pins)                 | –      | 24   | °C/W  |
| Soldering Temperature (follow standard Pb free soldering guidelines) | –      | 260  | °C    |
| Number of Program Writes   | –      | 1    | NA    |
| Program Retention over -40 to 125°C, Process, VDD (0 to 3.65 V)      | 1,000+ | –    | years |

### Environmental Compliance

| Parameter                  | Condition/Test Method     |
|----------------------------|---------------------------|
| Mechanical Shock           | MIL-STD-883F, Method 2002 |
| Mechanical Vibration       | MIL-STD-883F, Method 2007 |
| Temperature Cycle          | JESD22, Method A104       |
| Solderability              | MIL-STD-883F, Method 2003 |
| Moisture Sensitivity Level | MSL1 @ 260°C              |

### Startup and Resume Timing Diagram



**Note:**

2. In 1.8 V mode, a resistor of <100 kΩ between OE pin and VDD is required.

### ■ Dimensions and Land Patterns

| Package Size – Dimensions (Unit: mm) <sup>1</sup> | Recommended Land Pattern (Unit: mm) <sup>5</sup> |
|---|--|
| <p><b>2.5 x 2.0 x 0.75 mm</b></p>                 |  |
| <p><b>3.2 x 2.5 x 0.75 mm</b></p>                 |  |
| <p><b>5.0 x 3.2 x 0.75 mm</b></p>                 |  |
| <p><b>7.0 x 5.0 x 0.90 mm</b></p>                 |  |

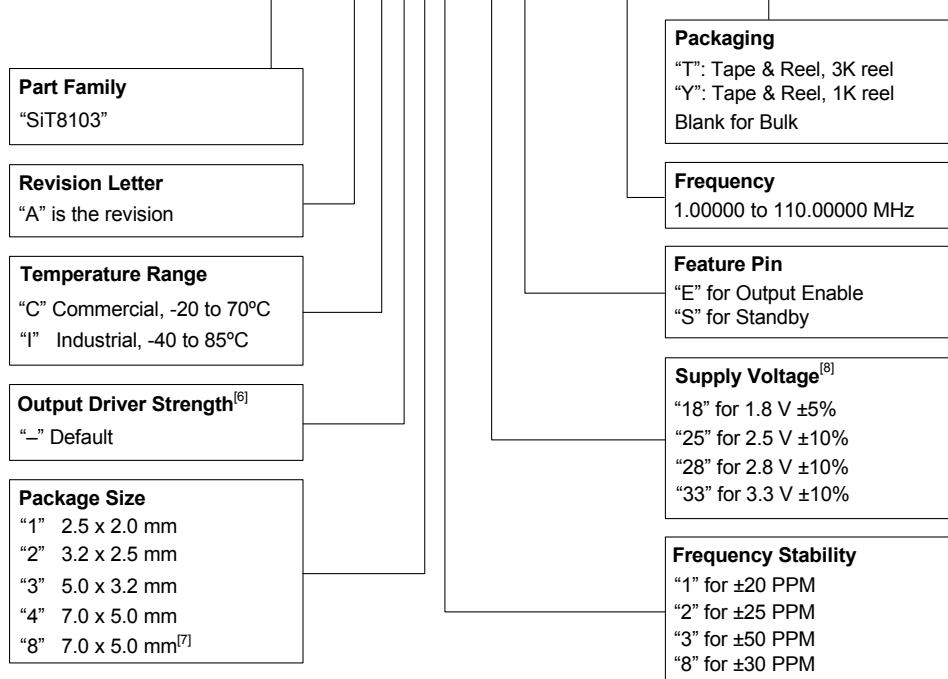
**Notes:**

3. Top marking: Y denotes manufacturing origin and XXXX denotes manufacturing lot number. The value of "Y" will depend on the assembly location of the device
4. A capacitor of value 0.1  $\mu$ F between Vdd and GND is recommended.
5. The 7050 package with part number designation "-8" has NO center pad.

### Part No. Guide - How to Order

The Part No. Guide is for reference only. For real-time customization and exact part number, use the SiTime [Part Number Generator](#).

### SiT8103AC-13-18E-105.12345T



**Notes:**

- 6. Contact SiTime for different drive strength options for driving loads with faster rise/fall time spec than those shown in the electrical table, or reducing EMI.
- 7. Without Center Pad.
- 8. Supply voltage can be configured to any voltage up to 1 decimal place between 2.5V and 3.3V.

### Frequency Stability vs. Temperature Range Options

| Frequency Stability (PPM) | Temperature Range | Supply Voltage |       |       |       |
|---------------------------|-------------------|----------------|-------|-------|-------|
|                           |                   | 1.8 V          | 2.5 V | 2.8 V | 3.3 V |
| ±20                       | C (-20 to +70°C)  | ✓              | ✓     | ✓     | ✓     |
|                           | I (-40 to +85°C)  | -              | -     | -     | -     |
| ±25                       | C (-20 to +70°C)  | ✓              | ✓     | ✓     | ✓     |
|                           | I (-40 to +85°C)  | ✓              | ✓     | ✓     | ✓     |
| ±30                       | C (-20 to +70°C)  | ✓              | ✓     | ✓     | ✓     |
|                           | I (-40 to +85°C)  | ✓              | ✓     | ✓     | ✓     |
| ±50                       | C (-20 to +70°C)  | ✓              | ✓     | ✓     | ✓     |
|                           | I (-40 to +85°C)  | ✓              | ✓     | ✓     | ✓     |

© SiTime Corporation 2011. The information contained herein is subject to change at any time without notice. SiTime assumes no responsibility or liability for any loss, damage or defect of a Product which is caused in whole or in part by (i) use of any circuitry other than circuitry embodied in a SiTime product, (ii) misuse or abuse including static discharge, neglect or accident, (iii) unauthorized modification or repairs which have been soldered or altered during assembly and are not capable of being tested by SiTime under its normal test conditions, or (iv) improper installation, storage, handling, warehousing or transportation, or (v) being subjected to unusual physical, thermal, or electrical stress.

**Disclaimer:** SiTime makes no warranty of any kind, express or implied, with regard to this material, and specifically disclaims any and all express or implied warranties, either in fact or by operation of law, statutory or otherwise, including the implied warranties of merchantability and fitness for use or a particular purpose, and any implied warranty arising from course of dealing or usage of trade, as well as any common-law duties relating to accuracy or lack of negligence, with respect to this material, any sitime product and any product documentation. products sold by sitime are not suitable or intended to be used in a life support application or component, to operate nuclear facilities, or in other mission critical applications where human life may be involved or at stake. all sales are made conditioned upon compliance with the critical uses policy set forth below.

**CRITICAL USE EXCLUSION POLICY**  
BUYER AGREES NOT TO USE SITIME'S PRODUCTS FOR ANY APPLICATION OR IN ANY COMPONENTS USED IN LIFE SUPPORT DEVICES OR TO OPERATE NUCLEAR FACILITIES OR FOR USE IN OTHER MISSION-CRITICAL APPLICATIONS OR COMPONENTS WHERE HUMAN LIFE OR PROPERTY MAY BE AT STAKE.

SiTime owns all rights, title and interest to the intellectual property related to SiTime's products, including any software, firmware, copyright, patent, or trademark. The sale of SiTime products does not convey or imply any license under patent or other rights. SiTime retains the copyright and trademark rights in all documents, catalogs and plans supplied pursuant to or ancillary to the sale of products or services by SiTime. Unless otherwise agreed to in writing by SiTime, any reproduction, modification, translation, compilation, or representation of this material shall be strictly prohibited.

## Looking for pricing, stock, or lifecycle information?

Click below to explore more details on WIN SOURCE:

 [View SIT8103AC-23-33E-33.33300X on WIN SOURCE](#)

 [SiTIME Information](#)

## Optimize Your Supply Chain with WIN SOURCE Solutions

-  Global Sourcing Solution
-  Obsolete Management
-  Cost Control Management
-  Shortage Management
-  Alternative Solution
-  Excess Inventory Management