



**THE DATASHEET OF  
SN74LS642DW**



# SN54LS640 THRU SN54LS642, SN54LS644, SN54LS645 SN74LS640 THRU SN74LS642, SN74LS644, SN74LS645 OCTAL BUS TRANSCEIVERS

SDLS189 – APRIL 1979 – REVISED MARCH 1988

- SN74LS64X-1 Versions Rated at  $I_{OL}$  of 48 mA
- Bi-directional Bus Transceivers in High-Density 20-Pin Packages
- Hysteresis at Bus Inputs Improves Noise Margins
- Choice of True or Inverting Logic
- Choice of 3-State or Open-Collector Outputs

| DEVICE | OUTPUT         | LOGIC              |
|--------|----------------|--------------------|
| 'LS640 | 3-State        | Inverting          |
| 'LS641 | Open-Collector | True               |
| 'LS642 | Open-Collector | Inverting          |
| 'LS644 | Open-Collector | True and inverting |
| 'LS645 | 3-State        | True               |

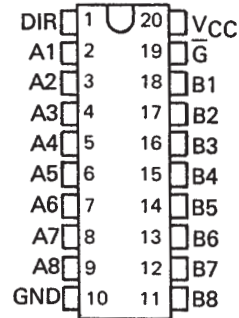
## description

These octal bus transceivers are designed for asynchronous two-way communication between data buses. The devices transmit data from the A bus to the B bus or from the B bus to the A bus depending upon the level at the direction control (DIR) input. The enable input ( $\bar{G}$ ) can be used to disable the device so the buses are effectively isolated.

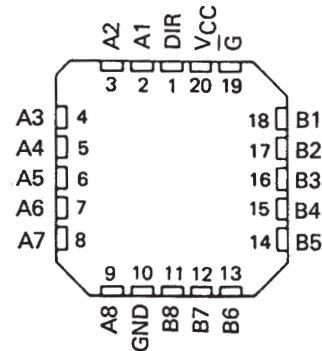
The -1 versions of the SN74LS640 thru SN74LS642, SN74LS644, and SN74LS645 are identical to the standard versions except that the recommended maximum  $I_{OL}$  is increased to 48 milliamperes. There are no -1 versions of the SN54LS640 thru SN54LS642, SN54LS644, and SN54LS645.

The SN54LS640 thru SN54LS642, SN54LS644, and SN54LS645 are characterized for operation over the full military temperature range of  $-55^{\circ}\text{C}$  to  $125^{\circ}\text{C}$ . The SN74LS640 thru SN74LS642, SN74LS644, and SN74LS645 are characterized for operation from  $0^{\circ}\text{C}$  to  $70^{\circ}\text{C}$ .

SN54LS' . . . J PACKAGE  
SN74LS' . . . DW OR N PACKAGE  
(TOP VIEW)



SN54LS' . . . FK PACKAGE  
(TOP VIEW)



FUNCTION TABLE

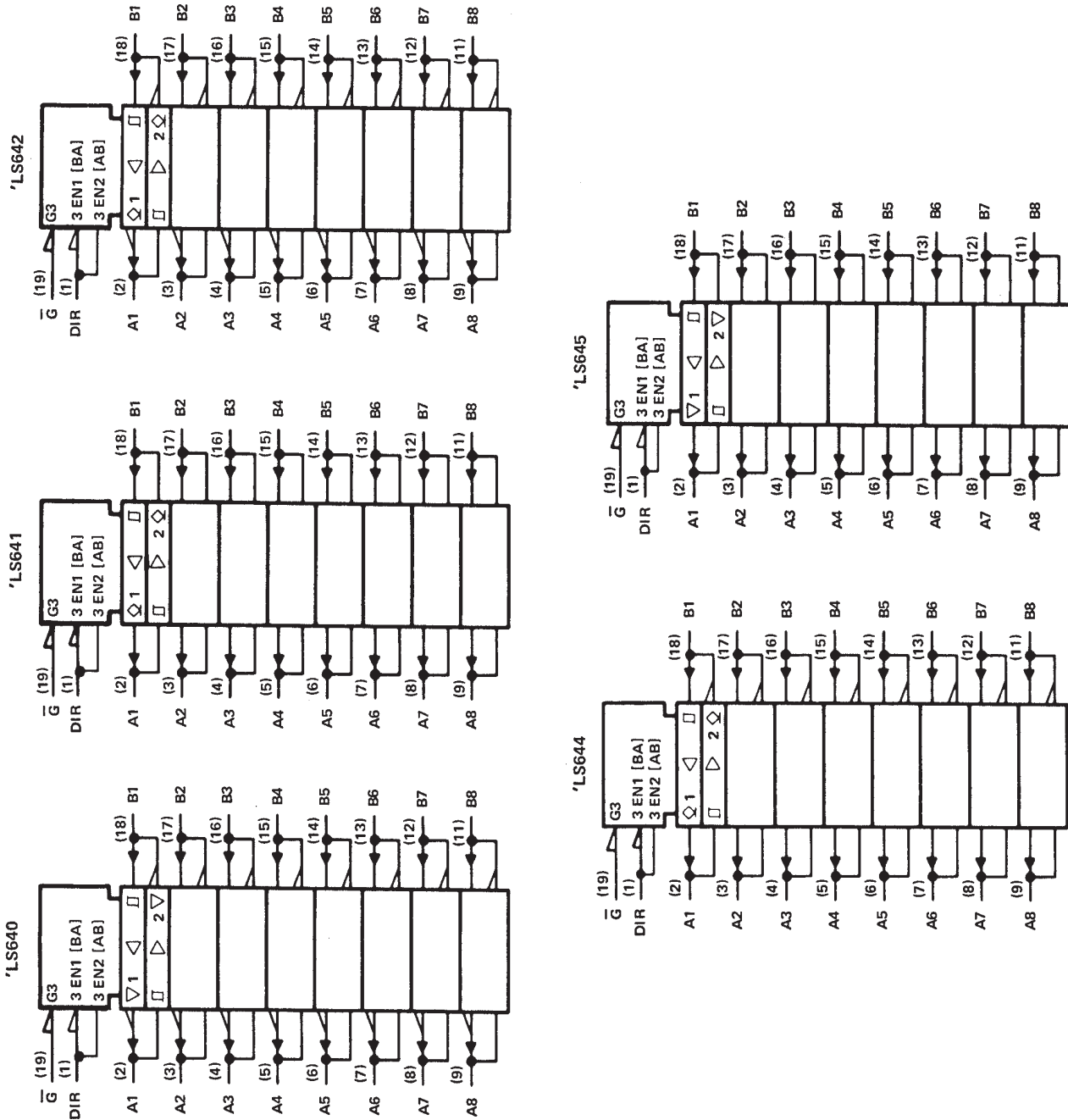
| CONTROL INPUTS |     | OPERATION        |                  |                         |
|----------------|-----|------------------|------------------|-------------------------|
| $\bar{G}$      | DIR | 'LS640<br>'LS642 | 'LS641<br>'LS645 | 'LS644                  |
| L              | L   | B data to A bus  | B data to A bus  | B data to A bus         |
| L              | H   | A data to B bus  | A data to B bus  | $\bar{A}$ data to B bus |
| H              | X   | Isolation        | Isolation        | Isolation               |

H = high level, L = low level, X = irrelevant

# SN54LS640 THRU SN54LS642, SN54LS644, SN54LS645 SN74LS640 THRU SN74LS642, SN74LS644, SN74LS645 OCTAL BUS TRANSCEIVERS

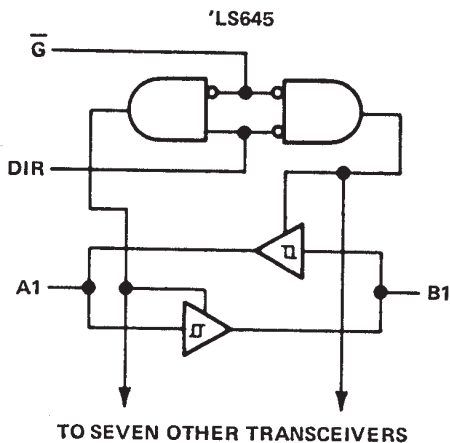
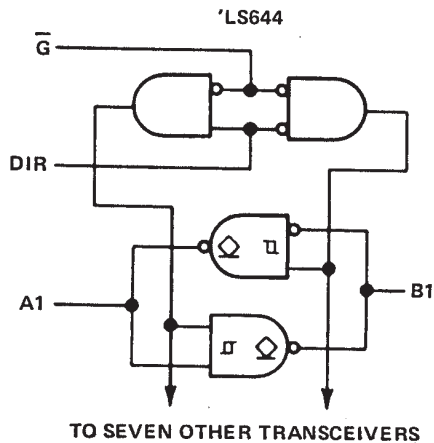
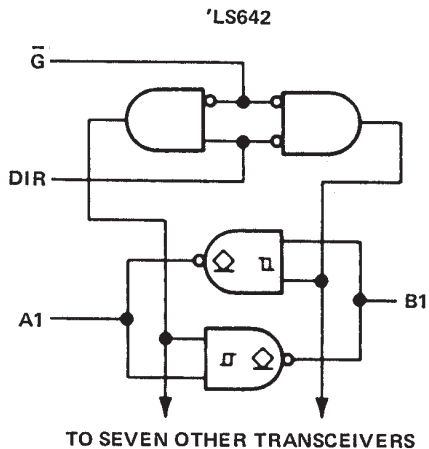
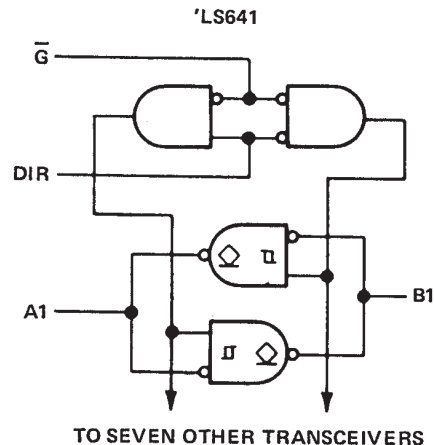
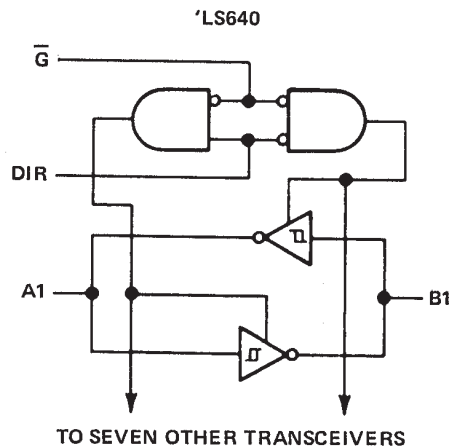
SDLS189 – APRIL 1979 – REVISED MARCH 1988

## logic symbols†



† These symbols are in accordance with ANSI/IEEE Std 91-1984 and IEC Publication 617-12. Pin numbers shown are for DW, J, and N packages.

logic diagrams (positive logic)



**SN54LS640, SN54LS645**  
**SN74LS640, SN74LS645**  
**OCTAL BUS TRANSCEIVERS WITH 3-STATE OUTPUTS**

SDLS189 – APRIL 1979 – REVISED MARCH 1988

**absolute maximum ratings over operating free-air temperature range (unless otherwise noted)**

|  |                |
|--|----------------|
| Supply voltage, $V_{CC}$ (see Note 1) .....                      | 7 V            |
| Input voltage: All inputs .....                                  | 7 V            |
| I/O ports .....  | 5.5 V          |
| Operating free-air temperature range: SN54LS640, SN54LS645 ..... | -55°C to 125°C |
| SN74LS640, SN74LS645 .....                                       | 0°C to 70°C    |
| Storage temperature range .....                                  | -65°C to 150°C |

NOTE 1: Voltage values are with respect to network ground terminal.

**recommended operating conditions**

| PARAMETER                            | SN54LS640<br>SN54LS645 |     |     | SN74LS640<br>SN74LS645 |     |      | UNIT |
|--------------------------------------|------------------------|-----|-----|------------------------|-----|------|------|
|                                      | MIN                    | NOM | MAX | MIN                    | NOM | MAX  |      |
| $V_{CC}$ Supply voltage              | 4.5                    | 5   | 5.5 | 4.75                   | 5   | 5.25 | V    |
| $V_{IH}$ High-level input voltage    | 2                      |     |     | 2                      |     |      | V    |
| $V_{IL}$ Low-level input voltage     |                        |     | 0.5 |                        |     | 0.6  | V    |
| $I_{OH}$ High-level output current   |                        |     | -12 |                        |     | -15  | mA   |
| $I_{OL}$ Low-level output current    |                        |     | 12  |                        |     | 24   | mA   |
|                                      |                        |     |     |                        |     | 48†  |      |
| $T_A$ Operating free-air temperature | -55                    |     | 125 | 0                      |     | 70   | °C   |

†The 48-mA limit applies for the SN74LS640-1 and SN74LS645-1 only.

**electrical characteristics over recommended operating free-air temperature range (unless otherwise noted)**

| PARAMETER                           | TEST CONDITIONS†  | SN54LS640<br>SN54LS645              |                       |      | SN74LS640<br>SN74LS645 |      |      | UNIT |    |
|-------------------------------------|---|-------------------------------------|-----------------------|------|------------------------|------|------|------|----|
|                                     |   | MIN                                 | TYP‡                  | MAX  | MIN                    | TYP‡ | MAX  |      |    |
| $V_{IK}$                            | $V_{CC} = \text{MIN}, I_I = -18 \text{ mA}$                           |                                     |                       | -1.5 |                        |      | -1.5 | V    |    |
| Hysteresis<br>( $V_{T+} - V_{T-}$ ) | $V_{CC} = \text{MIN},$<br>A or B input                                | 0.1                                 | 0.4                   |      | 0.2                    | 0.4  |      | V    |    |
| $V_{OH}$                            | $V_{CC} = \text{MIN}, V_{IH} = 2 \text{ V},$<br>$V_{IL} = \text{MAX}$ | $I_{OH} = -3 \text{ mA}$            | 2.4                   | 3.4  | 2.4                    | 3.4  |      |      |    |
|                                     |   | $I_{OH} = \text{MAX}$               | 2                     |      | 2                      |      |      |      |    |
| $V_{OL}$                            | $V_{CC} = \text{MIN}, V_{IH} = 2 \text{ V},$<br>$V_{IL} = \text{MAX}$ | $I_{OL} = 12 \text{ mA}$            | 0.25                  | 0.4  | 0.25                   | 0.4  |      | V    |    |
|                                     |   | $I_{OL} = 24 \text{ mA}$            |                       |      | 0.35                   | 0.5  |      |      |    |
|                                     |   | $I_{OL} = 48 \text{ mA}^\#$         |                       |      | 0.4                    | 0.5  |      |      |    |
| $I_{OZH}$                           | $V_{CC} = \text{MAX}, \bar{G}$ at 2 V, $V_O = 2.7 \text{ V}$          |                                     |                       | 20   |                        |      | 20   | μA   |    |
| $I_{OZL}$                           | $V_{CC} = \text{MAX}, \bar{G}$ at 2 V, $V_O = 0.4 \text{ V}$          |                                     |                       | -0.4 |                        |      | -0.4 | mA   |    |
| $I_I$                               | A or B<br>DIR or $\bar{G}$  | $V_{CC} = \text{MAX}$               | $V_I = 5.5 \text{ V}$ |      | 0.1                    |      | 0.1  | mA   |    |
|                                     |   |                                     | $V_I = 7 \text{ V}$   |      | 0.1                    |      | 0.1  |      |    |
| $I_{IH}$                            | $V_{CC} = \text{MAX}, V_{IH} = 2.7 \text{ V}$                         |                                     |                       | 20   |                        |      | 20   | μA   |    |
| $I_{IL}$                            | $V_{CC} = \text{MAX}, V_{IL} = 0.4 \text{ V}$                         |                                     |                       | -0.4 |                        |      | -0.4 | mA   |    |
| $I_{OS}^\ddagger$                   | $V_{CC} = \text{MAX}$   | -40                                 |                       | -225 | -40                    |      | -225 | mA   |    |
| $I_{CC}$                            | Outputs high<br>Outputs low<br>Outputs at Hi-Z                        | $V_{CC} = \text{MAX},$ Outputs open |                       | 48   | 70                     |      | 48   | 70   | mA |
|                                     |   |                                     |                       | 62   | 90                     |      | 62   | 90   |    |
|                                     |   |                                     |                       | 64   | 95                     |      | 64   | 95   |    |

†For conditions shown as MIN or MAX, use the appropriate value specified under recommended operating conditions.

‡All typical values are at  $V_{CC} = 5 \text{ V}, T_A = 25^\circ\text{C}$ .

§Not more than one output should be shorted at a time, and duration of the short-circuit should not exceed one second.

¶The 48-mA condition applies for the SN74LS640-1 and SN74LS645-1 only.



SN54LS640, SN54LS645  
SN74LS640, SN74LS645  
**OCTAL BUS TRANSCEIVERS WITH 3-STATE OUTPUTS**

SDLS189 – APRIL 1979 – REVISED MARCH 1988

switching characteristics,  $V_{CC} = 5\text{ V}$ ,  $T_A = 25^\circ\text{C}$

| PARAMETER  | FROM (INPUT)   | TO (OUTPUT) | TEST CONDITIONS   | 'LS640, 'LS640-1 |     |     | 'LS645, 'LS645-1 |     |     | UNIT |
|--|----------------|-------------|---|------------------|-----|-----|------------------|-----|-----|------|
|  |                |             |   | MIN              | TYP | MAX | MIN              | TYP | MAX |      |
| $t_{PLH}$ Propagation delay time, low-to-high-level output | A              | B           | $C_L = 45\text{ pF}$ ,<br>$R_L = 667\ \Omega$ ,<br>See Note 2 |                  | 6   | 10  |                  | 8   | 15  | ns   |
|  | B              | A           |   |                  | 6   | 10  |                  | 8   | 15  |      |
| $t_{PHL}$ Propagation delay time, high-to-low-level output | A              | B           |   |                  | 8   | 15  |                  | 11  | 15  | ns   |
|  | B              | A           |   |                  | 8   | 15  |                  | 11  | 15  |      |
| $t_{PZL}$ Output enable time to low level                  | $\overline{G}$ | A           |   |                  | 31  | 40  |                  | 31  | 40  | ns   |
|  | $\overline{G}$ | B           |   |                  | 31  | 40  |                  | 31  | 40  |      |
| $t_{PZH}$ Output enable time to high level                 | $\overline{G}$ | A           |   |                  | 23  | 40  |                  | 26  | 40  | ns   |
|  | $\overline{G}$ | B           |   |                  | 23  | 40  |                  | 26  | 40  |      |
| $t_{PLZ}$ Output disable time from low level               | $\overline{G}$ | A           | $C_L = 5\text{ pF}$ ,<br>$R_L = 667\ \Omega$ ,<br>See Note 2  |                  | 15  | 25  |                  | 15  | 25  | ns   |
|  | $\overline{G}$ | B           |   |                  | 15  | 25  |                  | 15  | 25  |      |
| $t_{PHZ}$ Output disable time from high level              | $\overline{G}$ | A           |   |                  | 15  | 25  |                  | 15  | 25  | ns   |
|  | $\overline{G}$ | B           |   |                  | 15  | 25  |                  | 15  | 25  |      |

NOTE 2: Load circuits and voltage waveforms are shown in Section 1.

schematics of inputs and outputs



TYPICAL CHARACTERISTICS

SN54LS'  
 INVERTING OUTPUT VOLTAGE  
 vs  
 INPUT VOLTAGE

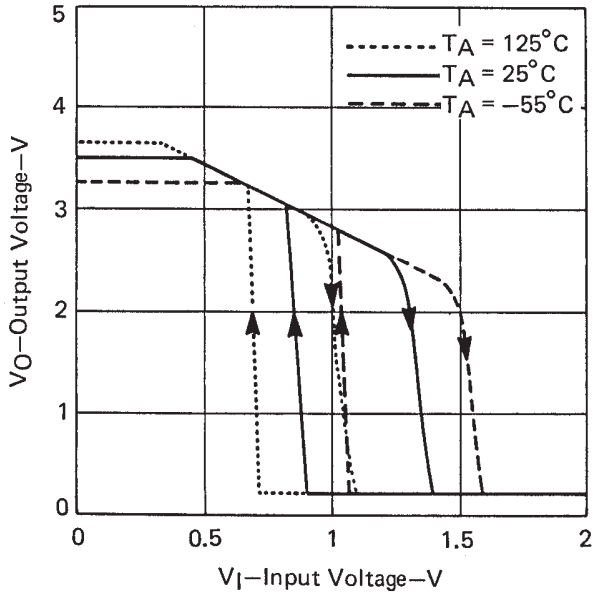


FIGURE 1

SN74LS'  
 INVERTING OUTPUT VOLTAGE  
 vs  
 INPUT VOLTAGE

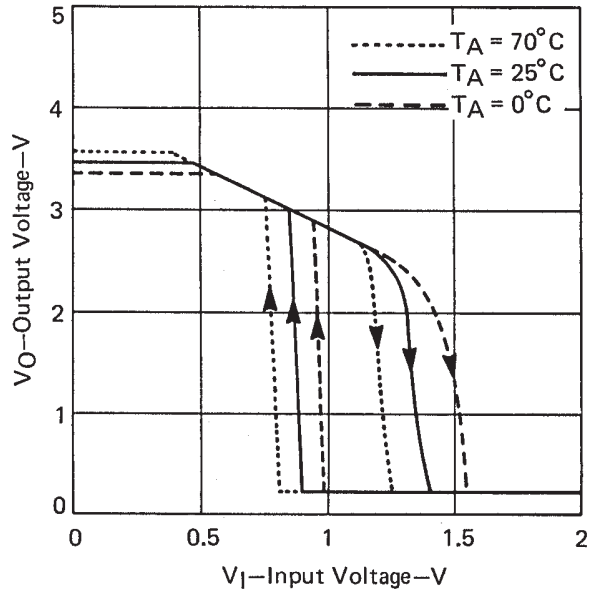


FIGURE 2

SN54LS'  
 NONINVERTING OUTPUT VOLTAGE  
 vs  
 INPUT VOLTAGE

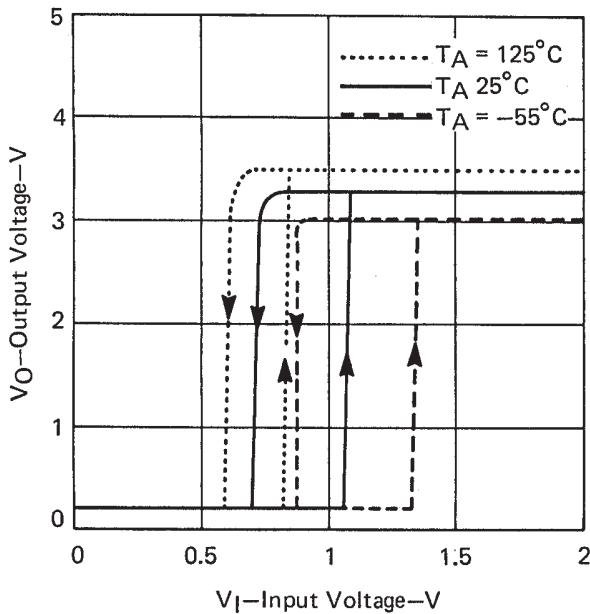


FIGURE 3

SN74LS'  
 NONINVERTING OUTPUT VOLTAGE  
 vs  
 INPUT VOLTAGE

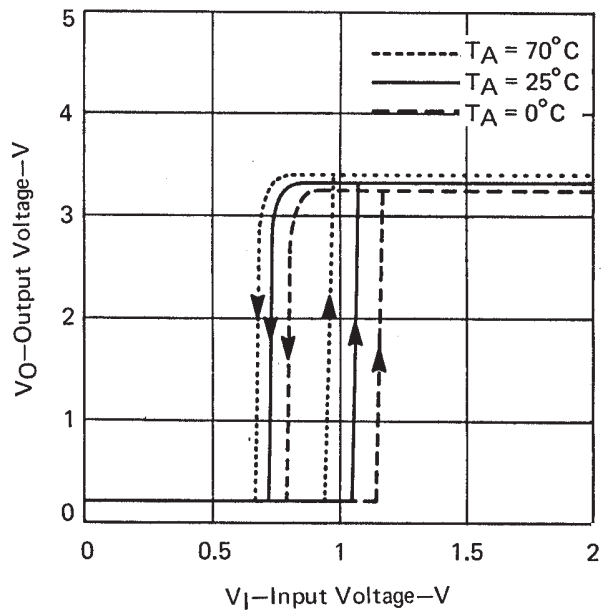


FIGURE 4

SN54LS641, SN54LS642, SN54LS644  
SN74LS641, SN74LS642, SN74LS644  
**OCTAL BUS TRANSCEIVERS WITH OPEN-COLLECTOR OUTPUTS**

SDLS189 – APRIL 1979 – REVISED MARCH 1988

**absolute maximum ratings over operating free-air temperature range (unless otherwise noted)**

|   |                   |
|---|-------------------|
| Supply voltage, $V_{CC}$ (see Note 1) .....                                 | 7 V               |
| Input voltage: All inputs and I/O ports .....                               | 7 V               |
| Operating free-air temperature range: SN54LS641, SN54LS642, SN54LS644 ..... | – 55° C to 125° C |
| SN74LS641, SN74LS642, SN74LS644 .....                                       | 0° C to 70° C     |
| Storage temperature range .....   | – 65° C to 150° C |

NOTE 1: Voltage values are with respect to network ground terminal.

**recommended operating conditions**

| PARAMETER                            | SN54LS641<br>SN54LS642<br>SN54LS644 |     |     | SN74LS641<br>SN74LS642<br>SN74LS644 |      |     | UNIT |
|--------------------------------------|-------------------------------------|-----|-----|-------------------------------------|------|-----|------|
|                                      | MIN                                 | NOM | MAX | MIN                                 | NOM  | MAX |      |
|                                      | $V_{CC}$ Supply voltage             | 4.5 | 5   | 5.5                                 | 4.75 | 5   |      |
| $V_{IH}$ High-level input voltage    | 2                                   |     |     | 2                                   |      |     | V    |
| $V_{IL}$ Low-level input voltage     | 0.5                                 |     |     | 0.6                                 |      |     | V    |
| $V_{OH}$ High-level output voltage   | 5.5                                 |     |     | 5.5                                 |      |     | V    |
| $I_{OL}$ Low-level output current    | 12                                  |     |     | 24                                  |      |     | mA   |
|                                      |                                     |     |     | 48 §                                |      |     |      |
| $T_A$ Operating free-air temperature | – 55      125                       |     |     | 0      70                           |      |     | °C   |

§ The 48 mA limit applies for the SN74LS641-1, SN74LS642-1, and SN74LS644-1 only.

**electrical characteristics over recommended operating free-air temperature range (unless otherwise noted)**

| PARAMETER                           | TEST CONDITIONS †  | SN54LS641<br>SN54LS642<br>SN54LS644 |   |       | SN74LS641<br>SN74LS642<br>SN74LS644 |       |       | UNIT          |
|-------------------------------------|--|-------------------------------------|---|-------|-------------------------------------|-------|-------|---------------|
|                                     |  | MIN                                 | TYP ‡                                       | MAX   | MIN                                 | TYP ‡ | MAX   |               |
|                                     |  | $V_{IK}$                            | $V_{CC} = \text{MIN}, I_I = -18 \text{ mA}$ | – 1.5 |                                     |       | – 1.5 |               |
| Hysteresis<br>( $V_{T+} - V_{T-}$ ) | $V_{CC} = \text{MIN}, A \text{ or } B \text{ input}$                                     | 0.1                                 | 0.4   |       | 0.2                                 | 0.4   |       | V             |
| $I_{OH}$                            | $V_{CC} = \text{MIN}, V_{IH} = 2 \text{ V}, V_{IL} = \text{MAX}, V_{OH} = 5.5 \text{ V}$ | 0.1                                 |   |       | 0.1                                 |       |       | mA            |
| $V_{OL}$                            | $V_{CC} = \text{MIN}, V_{IH} = 2 \text{ V}, V_{IL} = \text{MAX}$                         | $I_{OL} = 12 \text{ mA}$            |   | 0.25  | 0.4                                 | 0.25  | 0.4   | V             |
|                                     |  | $I_{OL} = 24 \text{ mA}$            |   |       |                                     | 0.35  | 0.5   |               |
|                                     |  | $I_{OL} = 48 \text{ mA} §$          |   |       |                                     | 0.4   | 0.5   |               |
| $I_I$                               | A or B   | $V_{CC} = \text{MAX}$               | $V_I = 5.5 \text{ V}$                       |       | 0.1                                 |       | 0.1   | mA            |
|                                     | DIR or $\bar{G}$   |                                     | $V_I = 7 \text{ V}$                         |       | 0.1                                 |       | 0.1   |               |
| $I_{IH}$                            | $V_{CC} = \text{MAX}, V_I = 2.7 \text{ V}$   | 20                                  |   |       | 20                                  |       |       | $\mu\text{A}$ |
| $I_{IL}$                            | $V_{CC} = \text{MAX}, V_I = 0.4 \text{ V}$   | – 0.4                               |   |       | – 0.4                               |       |       | mA            |
| $I_{CC}$                            | Outputs high   | $V_{CC} = \text{MAX},$              | Outputs open                                | 48    | 70                                  | 48    | 70    | mA            |
|                                     | Outputs low  |                                     |   | 62    | 90                                  | 62    | 90    |               |
|                                     | Outputs at Hi-Z  |                                     |   | 64    | 95                                  | 64    | 95    |               |

† For conditions shown as MIN or MAX, use the appropriate value specified under recommended operating conditions.

‡ All typical values are at  $V_{CC} = 5 \text{ V}, T_A = 25^\circ \text{C}$ .

§ The 48 mA condition applies for the SN74LS641-1, SN74LS642-1, and SN74LS644-1 only.



SN54LS641, SN54LS642, SN54LS644  
 SN74LS641, SN74LS642, SN74LS644  
 OCTAL BUS TRANSCEIVERS WITH OPEN-COLLECTOR OUTPUTS

SDLS189 – APRIL 1979 – REVISED MARCH 1988

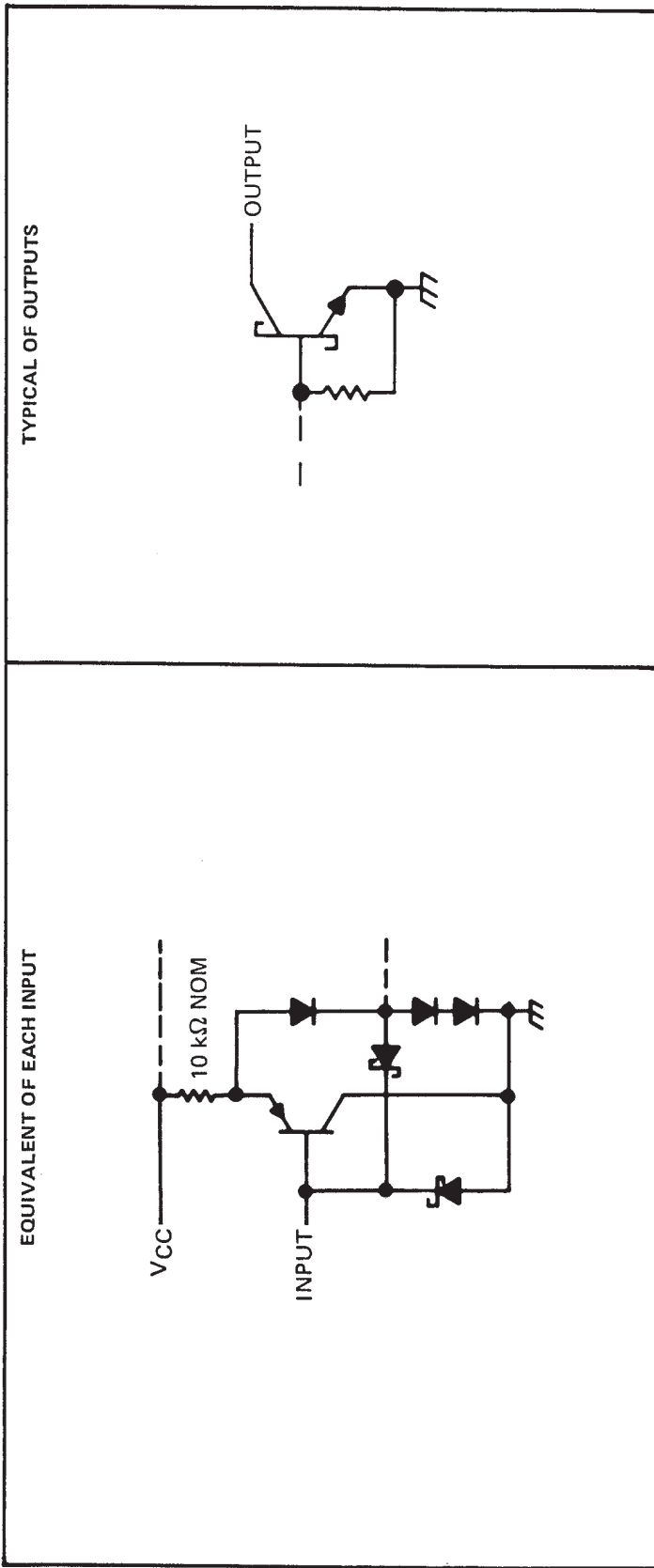
switching characteristics at  $V_{CC} = 5\text{ V}$ ,  $T_A = 25^\circ\text{C}$

| PARAMETER   | FROM (INPUT)    | TO (OUTPUT) | 'LS641, 'LS641-1 |     | 'LS642, 'LS642-1 |     | 'LS644, 'LS644-1 |     | UNIT |
|---|-----------------|-------------|------------------|-----|------------------|-----|------------------|-----|------|
|   |                 |             | MIN              | TYP | MAX              | MIN | TYP              | MAX |      |
| t <sub>PLH</sub><br>Propagation delay time,<br>low-to-high-level output | A               | B           | 17               | 25  | 19               | 25  | 17               | 25  | ns   |
|   | B               | A           | 17               | 25  | 19               | 25  | 19               | 25  |      |
| t <sub>PHL</sub><br>Propagation delay time,<br>high-to-low-level output | A               | B           | 16               | 25  | 14               | 25  | 14               | 25  | ns   |
|   | B               | A           | 16               | 25  | 14               | 25  | 16               | 25  |      |
| t <sub>PLH</sub><br>Output disable time<br>from low level               | $\bar{G}$ , DIR | A           | 23               | 40  | 26               | 40  | 26               | 40  | ns   |
|   | $\bar{G}$ , DIR | B           | 25               | 40  | 28               | 40  | 25               | 40  |      |
| t <sub>PHL</sub><br>Output enable time<br>from high level               | $\bar{G}$ , DIR | A           | 34               | 50  | 43               | 60  | 43               | 60  | ns   |
|   | $\bar{G}$ , DIR | B           | 37               | 50  | 39               | 60  | 37               | 50  |      |

TEST CONDITIONS  
 $C_L = 45\text{ pF}$ ,  
 $R_L = 667\ \Omega$ ,  
 See Note 2

NOTE 2: Load circuits and voltage waveforms are shown in Section 1.

schematics of inputs and outputs



**PACKAGING INFORMATION**

| Orderable Device | Status<br>(1) | Package Type | Package<br>Drawing | Pins | Package<br>Qty | Eco Plan<br>(2)            | Lead/Ball Finish<br>(6) | MSL Peak Temp<br>(3) | Op Temp (°C) | Device Marking<br>(4/5)       | Samples                 |
|------------------|---------------|--------------|--------------------|------|----------------|----------------------------|-------------------------|----------------------|--------------|-------------------------------|-------------------------|
| 84161012A        | ACTIVE        | LCCC         | FK                 | 20   | 1              | TBD                        | POST-PLATE              | N / A for Pkg Type   | -55 to 125   | 84161012A<br>SNJ54LS<br>640FK | <a href="#">Samples</a> |
| 8416101RA        | ACTIVE        | CDIP         | J                  | 20   | 1              | TBD                        | A42                     | N / A for Pkg Type   | -55 to 125   | 8416101RA<br>SNJ54LS640J      | <a href="#">Samples</a> |
| SN54LS640J       | ACTIVE        | CDIP         | J                  | 20   | 1              | TBD                        | A42                     | N / A for Pkg Type   | -55 to 125   | SN54LS640J                    | <a href="#">Samples</a> |
| SN54LS645J       | ACTIVE        | CDIP         | J                  | 20   | 1              | TBD                        | A42                     | N / A for Pkg Type   | -55 to 125   | SN54LS645J                    | <a href="#">Samples</a> |
| SN74LS640-1DW    | ACTIVE        | SOIC         | DW                 | 20   | 25             | Green (RoHS<br>& no Sb/Br) | CU NIPDAU               | Level-1-260C-UNLIM   | 0 to 70      | LS640-1                       | <a href="#">Samples</a> |
| SN74LS640-1N     | ACTIVE        | PDIP         | N                  | 20   | 20             | Pb-Free<br>(RoHS)          | CU NIPDAU               | N / A for Pkg Type   | 0 to 70      | SN74LS640-1N                  | <a href="#">Samples</a> |
| SN74LS640-1NSR   | ACTIVE        | SO           | NS                 | 20   | 2000           | Green (RoHS<br>& no Sb/Br) | CU NIPDAU               | Level-1-260C-UNLIM   | 0 to 70      | 74LS640-1                     | <a href="#">Samples</a> |
| SN74LS640DBR     | ACTIVE        | SSOP         | DB                 | 20   | 2000           | Green (RoHS<br>& no Sb/Br) | CU NIPDAU               | Level-1-260C-UNLIM   |              | LS640                         | <a href="#">Samples</a> |
| SN74LS640DW      | ACTIVE        | SOIC         | DW                 | 20   | 25             | Green (RoHS<br>& no Sb/Br) | CU NIPDAU               | Level-1-260C-UNLIM   | 0 to 70      | LS640                         | <a href="#">Samples</a> |
| SN74LS640DWR     | ACTIVE        | SOIC         | DW                 | 20   | 2000           | Green (RoHS<br>& no Sb/Br) | CU NIPDAU               | Level-1-260C-UNLIM   | 0 to 70      | LS640                         | <a href="#">Samples</a> |
| SN74LS640N       | ACTIVE        | PDIP         | N                  | 20   | 20             | Pb-Free<br>(RoHS)          | CU NIPDAU               | N / A for Pkg Type   | 0 to 70      | SN74LS640N                    | <a href="#">Samples</a> |
| SN74LS640NSR     | ACTIVE        | SO           | NS                 | 20   | 2000           | Green (RoHS<br>& no Sb/Br) | CU NIPDAU               | Level-1-260C-UNLIM   | 0 to 70      | 74LS640                       | <a href="#">Samples</a> |
| SN74LS641-1DW    | ACTIVE        | SOIC         | DW                 | 20   | 25             | Green (RoHS<br>& no Sb/Br) | CU NIPDAU               | Level-1-260C-UNLIM   | 0 to 70      | LS641-1                       | <a href="#">Samples</a> |
| SN74LS641-1DWE4  | ACTIVE        | SOIC         | DW                 | 20   | 25             | Green (RoHS<br>& no Sb/Br) | CU NIPDAU               | Level-1-260C-UNLIM   | 0 to 70      | LS641-1                       | <a href="#">Samples</a> |
| SN74LS641-1DWR   | ACTIVE        | SOIC         | DW                 | 20   | 2000           | Green (RoHS<br>& no Sb/Br) | CU NIPDAU               | Level-1-260C-UNLIM   | 0 to 70      | LS641-1                       | <a href="#">Samples</a> |
| SN74LS641-1N     | ACTIVE        | PDIP         | N                  | 20   | 20             | Pb-Free<br>(RoHS)          | CU NIPDAU               | N / A for Pkg Type   | 0 to 70      | SN74LS641-1N                  | <a href="#">Samples</a> |
| SN74LS641DW      | ACTIVE        | SOIC         | DW                 | 20   | 25             | Green (RoHS<br>& no Sb/Br) | CU NIPDAU               | Level-1-260C-UNLIM   | 0 to 70      | LS641                         | <a href="#">Samples</a> |

| Orderable Device | Status<br>(1) | Package Type | Package Drawing | Pins | Package Qty | Eco Plan<br>(2)         | Lead/Ball Finish<br>(6) | MSL Peak Temp<br>(3) | Op Temp (°C) | Device Marking<br>(4/5)       | Samples                 |
|------------------|---------------|--------------|-----------------|------|-------------|-------------------------|-------------------------|----------------------|--------------|-------------------------------|-------------------------|
| SN74LS641N       | ACTIVE        | PDIP         | N               | 20   | 20          | Pb-Free (RoHS)          | CU NIPDAU               | N / A for Pkg Type   | 0 to 70      | SN74LS641N                    | <a href="#">Samples</a> |
| SN74LS641NSR     | ACTIVE        | SO           | NS              | 20   | 2000        | Green (RoHS & no Sb/Br) | CU NIPDAU               | Level-1-260C-UNLIM   | 0 to 70      | 74LS641                       | <a href="#">Samples</a> |
| SN74LS642-1DW    | ACTIVE        | SOIC         | DW              | 20   | 25          | Green (RoHS & no Sb/Br) | CU NIPDAU               | Level-1-260C-UNLIM   | 0 to 70      | LS642-1                       | <a href="#">Samples</a> |
| SN74LS642-1N     | ACTIVE        | PDIP         | N               | 20   | 20          | Pb-Free (RoHS)          | CU NIPDAU               | N / A for Pkg Type   | 0 to 70      | SN74LS642-1N                  | <a href="#">Samples</a> |
| SN74LS642DW      | ACTIVE        | SOIC         | DW              | 20   | 25          | Green (RoHS & no Sb/Br) | CU NIPDAU               | Level-1-260C-UNLIM   | 0 to 70      | LS642                         | <a href="#">Samples</a> |
| SN74LS642N       | ACTIVE        | PDIP         | N               | 20   | 20          | Pb-Free (RoHS)          | CU NIPDAU               | N / A for Pkg Type   | 0 to 70      | SN74LS642N                    | <a href="#">Samples</a> |
| SN74LS642NSR     | ACTIVE        | SO           | NS              | 20   | 2000        | Green (RoHS & no Sb/Br) | CU NIPDAU               | Level-1-260C-UNLIM   | 0 to 70      | 74LS642                       | <a href="#">Samples</a> |
| SN74LS645-1DW    | ACTIVE        | SOIC         | DW              | 20   | 25          | Green (RoHS & no Sb/Br) | CU NIPDAU               | Level-1-260C-UNLIM   | 0 to 70      | LS645-1                       | <a href="#">Samples</a> |
| SN74LS645-1DWR   | ACTIVE        | SOIC         | DW              | 20   | 2000        | Green (RoHS & no Sb/Br) | CU NIPDAU               | Level-1-260C-UNLIM   | 0 to 70      | LS645-1                       | <a href="#">Samples</a> |
| SN74LS645-1N     | ACTIVE        | PDIP         | N               | 20   | 20          | Pb-Free (RoHS)          | CU NIPDAU               | N / A for Pkg Type   | 0 to 70      | SN74LS645-1N                  | <a href="#">Samples</a> |
| SN74LS645-1NSR   | ACTIVE        | SO           | NS              | 20   | 2000        | Green (RoHS & no Sb/Br) | CU NIPDAU               | Level-1-260C-UNLIM   | 0 to 70      | 74LS645-1                     | <a href="#">Samples</a> |
| SN74LS645DW      | ACTIVE        | SOIC         | DW              | 20   | 25          | Green (RoHS & no Sb/Br) | CU NIPDAU               | Level-1-260C-UNLIM   | 0 to 70      | LS645                         | <a href="#">Samples</a> |
| SN74LS645N       | ACTIVE        | PDIP         | N               | 20   | 20          | Pb-Free (RoHS)          | CU NIPDAU               | N / A for Pkg Type   | 0 to 70      | SN74LS645N                    | <a href="#">Samples</a> |
| SN74LS645NE4     | ACTIVE        | PDIP         | N               | 20   | 20          | Pb-Free (RoHS)          | CU NIPDAU               | N / A for Pkg Type   | 0 to 70      | SN74LS645N                    | <a href="#">Samples</a> |
| SN74LS645NSR     | ACTIVE        | SO           | NS              | 20   | 2000        | Green (RoHS & no Sb/Br) | CU NIPDAU               | Level-1-260C-UNLIM   | 0 to 70      | 74LS645                       | <a href="#">Samples</a> |
| SNJ54LS640FK     | ACTIVE        | LCCC         | FK              | 20   | 1           | TBD                     | POST-PLATE              | N / A for Pkg Type   | -55 to 125   | 84161012A<br>SNJ54LS<br>640FK | <a href="#">Samples</a> |
| SNJ54LS640J      | ACTIVE        | CDIP         | J               | 20   | 1           | TBD                     | A42                     | N / A for Pkg Type   | -55 to 125   | 8416101RA<br>SNJ54LS640J      | <a href="#">Samples</a> |
| SNJ54LS645J      | ACTIVE        | CDIP         | J               | 20   | 1           | TBD                     | A42                     | N / A for Pkg Type   | -55 to 125   | SNJ54LS645J                   | <a href="#">Samples</a> |

(1) The marketing status values are defined as follows:

**ACTIVE:** Product device recommended for new designs.

**LIFEBUY:** TI has announced that the device will be discontinued, and a lifetime-buy period is in effect.

**NRND:** Not recommended for new designs. Device is in production to support existing customers, but TI does not recommend using this part in a new design.

**PREVIEW:** Device has been announced but is not in production. Samples may or may not be available.

**OBSOLETE:** TI has discontinued the production of the device.

(2) **RoHS:** TI defines "RoHS" to mean semiconductor products that are compliant with the current EU RoHS requirements for all 10 RoHS substances, including the requirement that RoHS substance do not exceed 0.1% by weight in homogeneous materials. Where designed to be soldered at high temperatures, "RoHS" products are suitable for use in specified lead-free processes. TI may reference these types of products as "Pb-Free".

**RoHS Exempt:** TI defines "RoHS Exempt" to mean products that contain lead but are compliant with EU RoHS pursuant to a specific EU RoHS exemption.

**Green:** TI defines "Green" to mean the content of Chlorine (Cl) and Bromine (Br) based flame retardants meet JS709B low halogen requirements of  $\leq 1000$ ppm threshold. Antimony trioxide based flame retardants must also meet the  $\leq 1000$ ppm threshold requirement.

(3) MSL, Peak Temp. - The Moisture Sensitivity Level rating according to the JEDEC industry standard classifications, and peak solder temperature.

(4) There may be additional marking, which relates to the logo, the lot trace code information, or the environmental category on the device.

(5) Multiple Device Markings will be inside parentheses. Only one Device Marking contained in parentheses and separated by a "~" will appear on a device. If a line is indented then it is a continuation of the previous line and the two combined represent the entire Device Marking for that device.

(6) Lead/Ball Finish - Orderable Devices may have multiple material finish options. Finish options are separated by a vertical ruled line. Lead/Ball Finish values may wrap to two lines if the finish value exceeds the maximum column width.

**Important Information and Disclaimer:** The information provided on this page represents TI's knowledge and belief as of the date that it is provided. TI bases its knowledge and belief on information provided by third parties, and makes no representation or warranty as to the accuracy of such information. Efforts are underway to better integrate information from third parties. TI has taken and continues to take reasonable steps to provide representative and accurate information but may not have conducted destructive testing or chemical analysis on incoming materials and chemicals. TI and TI suppliers consider certain information to be proprietary, and thus CAS numbers and other limited information may not be available for release.

In no event shall TI's liability arising out of such information exceed the total purchase price of the TI part(s) at issue in this document sold by TI to Customer on an annual basis.

**OTHER QUALIFIED VERSIONS OF SN54LS640, SN54LS645, SN74LS640, SN74LS645 :**

● Catalog: [SN74LS640](#), [SN74LS645](#)

● Military: [SN54LS640](#), [SN54LS645](#)

NOTE: Qualified Version Definitions:

- Catalog - TI's standard catalog product
- Military - QML certified for Military and Defense Applications

## TAPE AND REEL INFORMATION



### QUADRANT ASSIGNMENTS FOR PIN 1 ORIENTATION IN TAPE



\*All dimensions are nominal

| Device         | Package Type | Package Drawing | Pins | SPQ  | Reel Diameter (mm) | Reel Width W1 (mm) | A0 (mm) | B0 (mm) | K0 (mm) | P1 (mm) | W (mm) | Pin1 Quadrant |
|----------------|--------------|-----------------|------|------|--------------------|--------------------|---------|---------|---------|---------|--------|---------------|
| SN74LS640-1NSR | SO           | NS              | 20   | 2000 | 330.0              | 24.4               | 8.4     | 13.0    | 2.5     | 12.0    | 24.0   | Q1            |
| SN74LS640DBR   | SSOP         | DB              | 20   | 2000 | 330.0              | 16.4               | 8.2     | 7.5     | 2.5     | 12.0    | 16.0   | Q1            |
| SN74LS640DWR   | SOIC         | DW              | 20   | 2000 | 330.0              | 24.4               | 10.8    | 13.3    | 2.7     | 12.0    | 24.0   | Q1            |
| SN74LS640NSR   | SO           | NS              | 20   | 2000 | 330.0              | 24.4               | 8.4     | 13.0    | 2.5     | 12.0    | 24.0   | Q1            |
| SN74LS641-1DWR | SOIC         | DW              | 20   | 2000 | 330.0              | 24.4               | 10.8    | 13.3    | 2.7     | 12.0    | 24.0   | Q1            |
| SN74LS641NSR   | SO           | NS              | 20   | 2000 | 330.0              | 24.4               | 8.4     | 13.0    | 2.5     | 12.0    | 24.0   | Q1            |
| SN74LS642NSR   | SO           | NS              | 20   | 2000 | 330.0              | 24.4               | 8.4     | 13.0    | 2.5     | 12.0    | 24.0   | Q1            |
| SN74LS645-1DWR | SOIC         | DW              | 20   | 2000 | 330.0              | 24.4               | 10.8    | 13.3    | 2.7     | 12.0    | 24.0   | Q1            |
| SN74LS645-1NSR | SO           | NS              | 20   | 2000 | 330.0              | 24.4               | 8.4     | 13.0    | 2.5     | 12.0    | 24.0   | Q1            |
| SN74LS645NSR   | SO           | NS              | 20   | 2000 | 330.0              | 24.4               | 8.4     | 13.0    | 2.5     | 12.0    | 24.0   | Q1            |

**TAPE AND REEL BOX DIMENSIONS**


\*All dimensions are nominal

| Device         | Package Type | Package Drawing | Pins | SPQ  | Length (mm) | Width (mm) | Height (mm) |
|----------------|--------------|-----------------|------|------|-------------|------------|-------------|
| SN74LS640-1NSR | SO           | NS              | 20   | 2000 | 367.0       | 367.0      | 45.0        |
| SN74LS640DBR   | SSOP         | DB              | 20   | 2000 | 367.0       | 367.0      | 38.0        |
| SN74LS640DWR   | SOIC         | DW              | 20   | 2000 | 367.0       | 367.0      | 45.0        |
| SN74LS640NSR   | SO           | NS              | 20   | 2000 | 367.0       | 367.0      | 45.0        |
| SN74LS641-1DWR | SOIC         | DW              | 20   | 2000 | 367.0       | 367.0      | 45.0        |
| SN74LS641NSR   | SO           | NS              | 20   | 2000 | 367.0       | 367.0      | 45.0        |
| SN74LS642NSR   | SO           | NS              | 20   | 2000 | 367.0       | 367.0      | 45.0        |
| SN74LS645-1DWR | SOIC         | DW              | 20   | 2000 | 367.0       | 367.0      | 45.0        |
| SN74LS645-1NSR | SO           | NS              | 20   | 2000 | 367.0       | 367.0      | 45.0        |
| SN74LS645NSR   | SO           | NS              | 20   | 2000 | 367.0       | 367.0      | 45.0        |

FK (S-CQCC-N\*\*)

LEADLESS CERAMIC CHIP CARRIER

28 TERMINAL SHOWN



| NO. OF TERMINALS ** | A                |                  | B                |                  |
|---------------------|------------------|------------------|------------------|------------------|
|                     | MIN              | MAX              | MIN              | MAX              |
| 20                  | 0.342<br>(8,69)  | 0.358<br>(9,09)  | 0.307<br>(7,80)  | 0.358<br>(9,09)  |
| 28                  | 0.442<br>(11,23) | 0.458<br>(11,63) | 0.406<br>(10,31) | 0.458<br>(11,63) |
| 44                  | 0.640<br>(16,26) | 0.660<br>(16,76) | 0.495<br>(12,58) | 0.560<br>(14,22) |
| 52                  | 0.740<br>(18,78) | 0.761<br>(19,32) | 0.495<br>(12,58) | 0.560<br>(14,22) |
| 68                  | 0.938<br>(23,83) | 0.962<br>(24,43) | 0.850<br>(21,6)  | 0.858<br>(21,8)  |
| 84                  | 1.141<br>(28,99) | 1.165<br>(29,59) | 1.047<br>(26,6)  | 1.063<br>(27,0)  |



4040140/D 01/11

- NOTES:
- All linear dimensions are in inches (millimeters).
  - This drawing is subject to change without notice.
  - This package can be hermetically sealed with a metal lid.
  - Falls within JEDEC MS-004

# MECHANICAL DATA

NS (R-PDSO-G\*\*)

PLASTIC SMALL-OUTLINE PACKAGE

14-PINS SHOWN



- NOTES:
- A. All linear dimensions are in millimeters.
  - B. This drawing is subject to change without notice.
  - C. Body dimensions do not include mold flash or protrusion, not to exceed 0,15.

J (R-GDIP-T\*\*)

14 LEADS SHOWN

CERAMIC DUAL IN-LINE PACKAGE



| DIM \ PINS ** | 14                     | 16                     | 18                     | 20                     |
|---------------|------------------------|------------------------|------------------------|------------------------|
| A             | 0.300<br>(7,62)<br>BSC | 0.300<br>(7,62)<br>BSC | 0.300<br>(7,62)<br>BSC | 0.300<br>(7,62)<br>BSC |
| B MAX         | 0.785<br>(19,94)       | .840<br>(21,34)        | 0.960<br>(24,38)       | 1.060<br>(26,92)       |
| B MIN         | —                      | —                      | —                      | —                      |
| C MAX         | 0.300<br>(7,62)        | 0.300<br>(7,62)        | 0.310<br>(7,87)        | 0.300<br>(7,62)        |
| C MIN         | 0.245<br>(6,22)        | 0.245<br>(6,22)        | 0.220<br>(5,59)        | 0.245<br>(6,22)        |



4040083/F 03/03

- NOTES:
- All linear dimensions are in inches (millimeters).
  - This drawing is subject to change without notice.
  - This package is hermetically sealed with a ceramic lid using glass frit.
  - Index point is provided on cap for terminal identification only on press ceramic glass frit seal only.
  - Falls within MIL STD 1835 GDIP1-T14, GDIP1-T16, GDIP1-T18 and GDIP1-T20.

# DB0020A



# PACKAGE OUTLINE

## TSSOP - 2 mm max height

SMALL OUTLINE PACKAGE



4214851/A 12/2017

### NOTES:

1. All linear dimensions are in millimeters. Any dimensions in parenthesis are for reference only. Dimensioning and tolerancing per ASME Y14.5M.
2. This drawing is subject to change without notice.
3. This dimension does not include mold flash, protrusions, or gate burrs. Mold flash, protrusions, or gate burrs shall not exceed 0.15 mm per side.
4. This dimension does not include interlead flash. Interlead flash shall not exceed 0.25 mm per side.
5. Reference JEDEC registration MO-150.

# EXAMPLE BOARD LAYOUT

DB0020A

TSSOP - 2 mm max height

SMALL OUTLINE PACKAGE



LAND PATTERN EXAMPLE  
EXPOSED METAL SHOWN  
SCALE: 10X



4214851/A 12/2017

NOTES: (continued)

- 6. Publication IPC-7351 may have alternate designs.
- 7. Solder mask tolerances between and around signal pads can vary based on board fabrication site.

# EXAMPLE STENCIL DESIGN

DB0020A

TSSOP - 2 mm max height

SMALL OUTLINE PACKAGE



SOLDER PASTE EXAMPLE  
BASED ON 0.125 mm THICK STENCIL  
SCALE: 10X

4214851/A 12/2017

NOTES: (continued)

8. Laser cutting apertures with trapezoidal walls and rounded corners may offer better paste release. IPC-7525 may have alternate design recommendations.
9. Board assembly site may have different recommendations for stencil design.

N (R-PDIP-T\*\*)

PLASTIC DUAL-IN-LINE PACKAGE

16 PINS SHOWN



- NOTES:
- A. All linear dimensions are in inches (millimeters).
  - B. This drawing is subject to change without notice.
  - Falls within JEDEC MS-001, except 18 and 20 pin minimum body length (Dim A).
  - The 20 pin end lead shoulder width is a vendor option, either half or full width.

# DW0020A



# PACKAGE OUTLINE

## SOIC - 2.65 mm max height

SOIC



4220724/A 05/2016

**NOTES:**

1. All linear dimensions are in millimeters. Dimensions in parenthesis are for reference only. Dimensioning and tolerancing per ASME Y14.5M.
2. This drawing is subject to change without notice.
3. This dimension does not include mold flash, protrusions, or gate burrs. Mold flash, protrusions, or gate burrs shall not exceed 0.15 mm per side.
4. This dimension does not include interlead flash. Interlead flash shall not exceed 0.43 mm per side.
5. Reference JEDEC registration MS-013.

# EXAMPLE BOARD LAYOUT

DW0020A

SOIC - 2.65 mm max height

SOIC



LAND PATTERN EXAMPLE  
SCALE:6X



SOLDER MASK DETAILS

4220724/A 05/2016

NOTES: (continued)

- 6. Publication IPC-7351 may have alternate designs.
- 7. Solder mask tolerances between and around signal pads can vary based on board fabrication site.

# EXAMPLE STENCIL DESIGN

DW0020A

SOIC - 2.65 mm max height

SOIC



SOLDER PASTE EXAMPLE  
BASED ON 0.125 mm THICK STENCIL  
SCALE:6X

4220724/A 05/2016

NOTES: (continued)

8. Laser cutting apertures with trapezoidal walls and rounded corners may offer better paste release. IPC-7525 may have alternate design recommendations.
9. Board assembly site may have different recommendations for stencil design.

## IMPORTANT NOTICE AND DISCLAIMER

TI PROVIDES TECHNICAL AND RELIABILITY DATA (INCLUDING DATASHEETS), DESIGN RESOURCES (INCLUDING REFERENCE DESIGNS), APPLICATION OR OTHER DESIGN ADVICE, WEB TOOLS, SAFETY INFORMATION, AND OTHER RESOURCES "AS IS" AND WITH ALL FAULTS, AND DISCLAIMS ALL WARRANTIES, EXPRESS AND IMPLIED, INCLUDING WITHOUT LIMITATION ANY IMPLIED WARRANTIES OF MERCHANTABILITY, FITNESS FOR A PARTICULAR PURPOSE OR NON-INFRINGEMENT OF THIRD PARTY INTELLECTUAL PROPERTY RIGHTS.

These resources are intended for skilled developers designing with TI products. You are solely responsible for (1) selecting the appropriate TI products for your application, (2) designing, validating and testing your application, and (3) ensuring your application meets applicable standards, and any other safety, security, or other requirements. These resources are subject to change without notice. TI grants you permission to use these resources only for development of an application that uses the TI products described in the resource. Other reproduction and display of these resources is prohibited. No license is granted to any other TI intellectual property right or to any third party intellectual property right. TI disclaims responsibility for, and you will fully indemnify TI and its representatives against, any claims, damages, costs, losses, and liabilities arising out of your use of these resources.

TI's products are provided subject to TI's Terms of Sale ([www.ti.com/legal/termsofsale.html](http://www.ti.com/legal/termsofsale.html)) or other applicable terms available either on [ti.com](http://ti.com) or provided in conjunction with such TI products. TI's provision of these resources does not expand or otherwise alter TI's applicable warranties or warranty disclaimers for TI products.

Mailing Address: Texas Instruments, Post Office Box 655303, Dallas, Texas 75265  
Copyright © 2018, Texas Instruments Incorporated

## Looking for pricing, stock, or lifecycle information?

Click below to explore more details on WIN SOURCE:

 [View SN74LS642DW](#) on WIN SOURCE

 [Texas Instruments](#) Information

## Optimize Your Supply Chain with WIN SOURCE Solutions

-  Global Sourcing Solution
-  Obsolete Management
-  Cost Control Management
-  Shortage Management
-  Alternative Solution
-  Excess Inventory Management