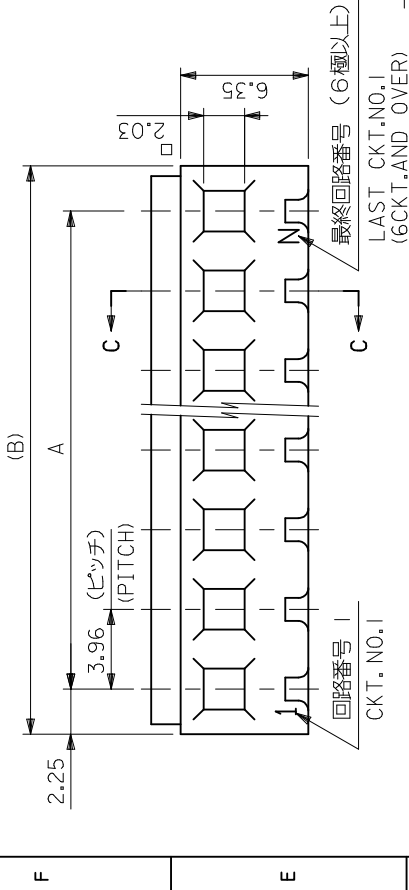




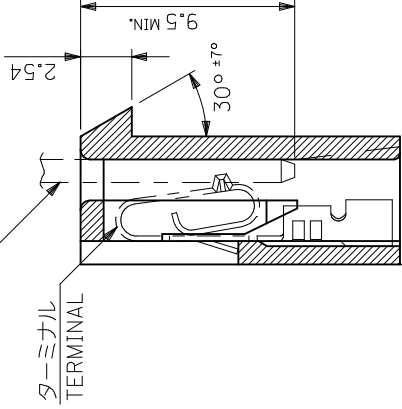
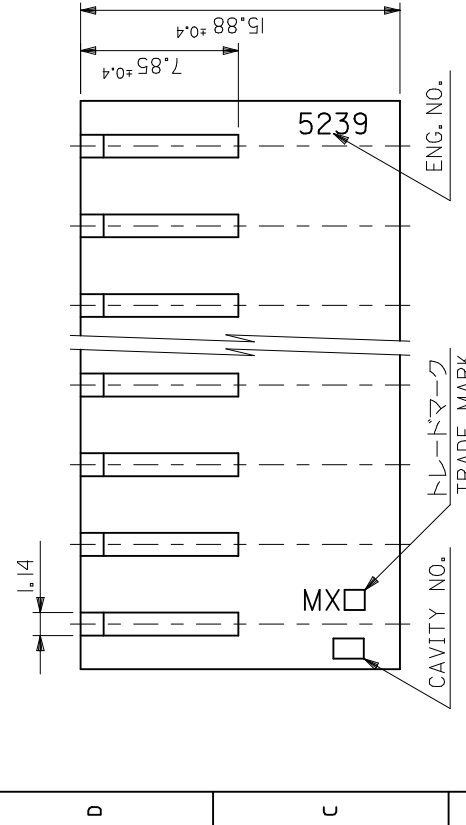
THE DATASHEET OF
00952-4064





注記 NOTES

- 適合ターミナル : 2478,2578,5167,5168
APPLICABLE TERMINAL: 2478,2578,5167,5168
- 反り : 0.2/25.4 MAX.
CAMBER: 0.2/25.4 MAX.



SECT. C-C

48.06	43.5
40.14	35.6
24.30	19.8
20.34	15.8
16.38	11.8
12.42	7.9
8.46	3.9

B	A
DIMENSION STYLE	SCA
MM ONLY	4.
DRAWN BY	H. HIRAMOTO
DATE	1989/09/15
CHECKED BY	S. A. I. M. F.
DATE	1996/04/10
APPROVED BY	M. FUKUSHIMA
DATE	1996/04/10
MATERIAL NO.	DOCUMENT


GENERAL TOLERANCES (UNLESS SPECIFIED)	0.25 UNDER	0.25 OVER	0.5 UNDER	0.5 OVER	1.0 UNDER	1.0 OVER	3.0 UNDER	3.0 OVER	ANGULAR	± 3 °
DRAFT WHERE APPLICABLE MUST REMAIN WITHIN DIMENSIONS										
DESCRIPTION	REV									
APPR: MSASAO	2017/05/26									
CHKD:	J									
DRWN: GES	2017/04/20									
EC NO: J2017-0534	REVISED									

SEE CHART

THIS DRAWING CONTAINS INFORMATION OF TECHNOLOGIES, LLC AND S

Looking for pricing, stock, or lifecycle information?

Click below to explore more details on WIN SOURCE:

-  [View BSMD1206-100-6V on WIN SOURCE](#)
-  [BHFUSE Information](#)

Optimize Your Supply Chain with WIN SOURCE Solutions

-  Global Sourcing Solution
-  Obsolete Management
-  Cost Control Management
-  Shortage Management
-  Alternative Solution
-  Excess Inventory Management