



**THE DATASHEET OF  
TMS320F28054PNQ**



## TMS320F2805x Real-Time Microcontrollers

### 1 Features

- High-efficiency 32-bit CPU (TMS320C28x)
  - 60 MHz (16.67-ns cycle time)
  - 16 × 16 and 32 × 32 Multiply and Accumulate (MAC) operations
  - 16 × 16 dual MAC
  - Harvard bus architecture
  - Atomic operations
  - Fast interrupt response and processing
  - Unified memory programming model
  - Code-efficient (in C/C++ and Assembly)
- Programmable Control Law Accelerator (CLA)
  - 32-bit floating-point math accelerator
  - Executes code independently of the main CPU
- Dual-zone security module
- Endianness: Little endian
- Low device and system cost:
  - Single 3.3-V supply
  - No power sequencing requirement
  - Integrated power-on reset and brownout reset
  - Low power
  - No analog support pins
- Clocking:
  - Two internal zero-pin oscillators
  - On-chip crystal oscillator and external clock input
  - Watchdog timer module
  - Missing clock detection circuitry
- Up to 42 individually programmable, multiplexed General-Purpose Input/Output (GPIO) pins with input filtering
- JTAG boundary scan support
  - IEEE Standard 1149.1-1990 Standard Test Access Port and Boundary Scan Architecture
- Peripheral Interrupt Expansion (PIE) block that supports all peripheral interrupts
- Three 32-bit CPU timers
- Independent 16-bit timer in each ePWM module
- On-chip memory
  - Flash, SARAM, Message RAM, OTP, CLA Data ROM, Boot ROM, Secure ROM available
- 128-bit security key and lock
  - Protects secure memory blocks
  - Prevents firmware reverse-engineering
- Serial port peripherals
  - Three Serial Communications Interface (SCI) (Universal Asynchronous Receiver/Transmitter [UART]) modules
  - One Serial Peripheral Interface (SPI) module
  - One Inter-Integrated-Circuit (I2C) bus
  - One Enhanced Controller Area Network (eCAN) bus
- Enhanced control peripherals
  - Enhanced Pulse Width Modulator (ePWM)
  - Enhanced Capture (eCAP) module
  - Enhanced Quadrature Encoder Pulse (eQEP) module
- Analog peripherals
  - One 12-bit Analog-to-Digital Converter (ADC)
  - One on-chip temperature sensor for oscillator compensation
  - Up to seven comparators with up to three integrated Digital-to-Analog Converters (DACs)
  - One buffered reference DAC
  - Up to four Programmable Gain Amplifiers (PGAs)
  - Up to four digital filters
- Advanced debug features
  - Analysis and breakpoint functions
  - Real-time debug through hardware
- 80-pin PN Low-Profile Quad Flatpack (LQFP)
- Temperature options
  - T: –40°C to 105°C
  - S: –40°C to 125°C
  - Q: –40°C to 125°C (AEC Q100 qualification for automotive applications)

### 2 Applications

- [Air conditioner outdoor unit](#)
- [Door operator drive control](#)
- [Inverter & motor control](#)
- [AC drive control module](#)
- [AC-input BLDC motor drive](#)
- [DC-input BLDC motor drive](#)



### 3 Description

C2000™ real-time control MCUs are optimized for processing, sensing, and actuation to improve closed-loop performance in real-time control applications such as industrial motor drives; solar inverters and digital power; electrical vehicles and transportation; motor control; and sensing and signal processing. The C2000 line includes the Premium performance MCUs and the Entry performance MCUs.

The F2805x family of microcontrollers (MCUs) provides the power of the C28x core and CLA coupled with highly integrated control peripherals in low pin-count devices. This family is code-compatible with previous C28x-based code, and also provides a high level of analog integration.

An internal voltage regulator allows for single-rail operation. Analog comparators with internal 6-bit references have been added and can be routed directly to control the PWM outputs. The ADC converts from 0 to 3.3-V fixed full-scale range and supports ratio-metric  $V_{REFHI}/V_{REFLO}$  references. The ADC interface has been optimized for low overhead and latency.

The Analog Front End (AFE) contains up to seven comparators with up to three integrated DACs, one  $V_{REFOUT}$ -buffered DAC, up to four PGAs, and up to four digital filters. The PGAs can amplify the input signal in three discrete gain modes. The actual number of AFE peripherals will depend upon the TMS320F2805x device number. See [Device Comparison](#) for more details.

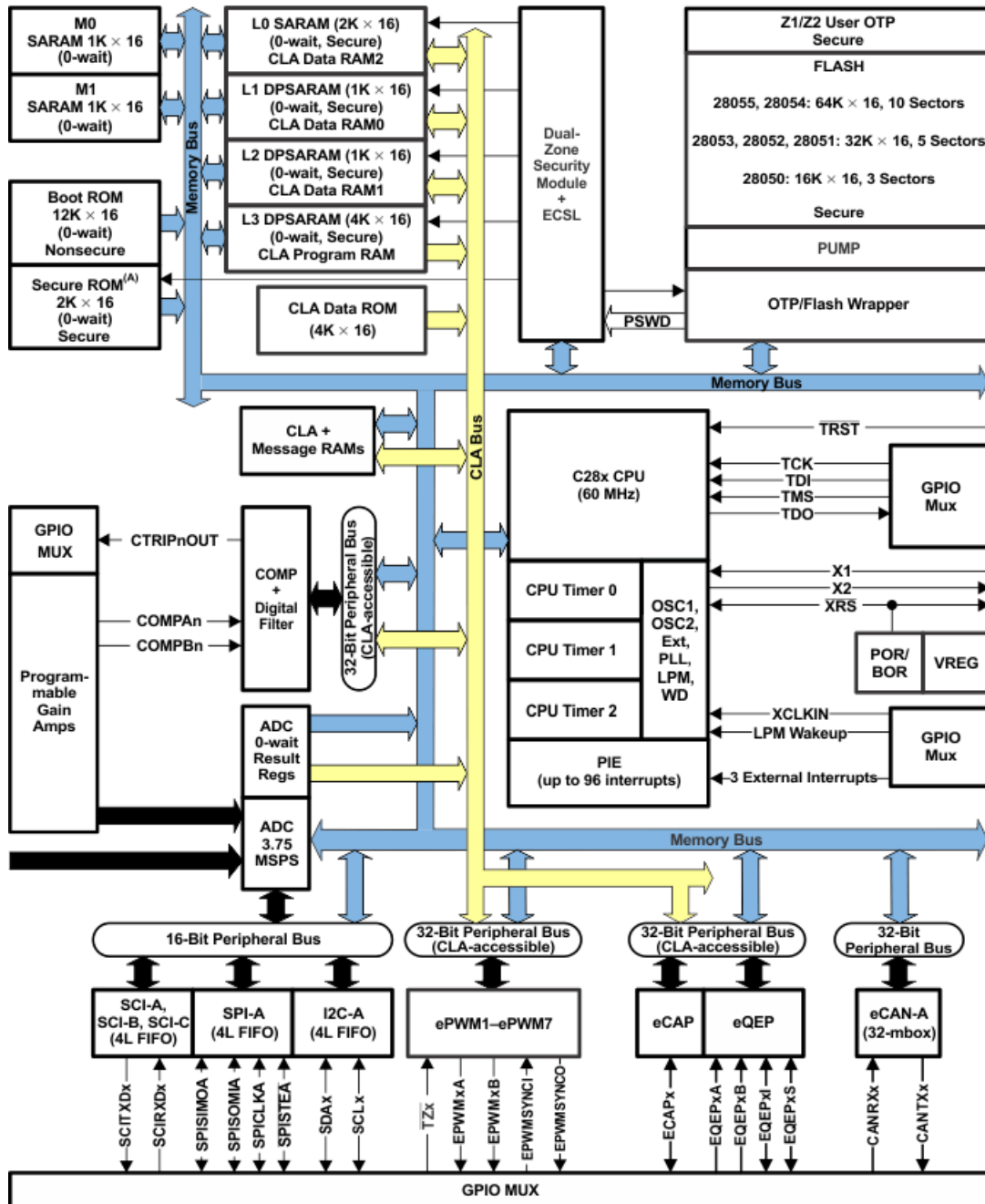
To learn more about the C2000 MCUs, visit the [C2000™ real-time control MCUs](#) page.

#### Device Information

| PART NUMBER <sup>(1)</sup> | PACKAGE   | BODY SIZE         |
|----------------------------|-----------|-------------------|
| TMS320F28055PN             | LQFP (80) | 12.0 mm × 12.0 mm |
| TMS320F28054PN             | LQFP (80) | 12.0 mm × 12.0 mm |
| TMS320F28053PN             | LQFP (80) | 12.0 mm × 12.0 mm |
| TMS320F28052PN             | LQFP (80) | 12.0 mm × 12.0 mm |
| TMS320F28051PN             | LQFP (80) | 12.0 mm × 12.0 mm |
| TMS320F28050PN             | LQFP (80) | 12.0 mm × 12.0 mm |

(1) For more information on these devices, see [Mechanical, Packaging, and Orderable Information](#).

### 3.1 Functional Block Diagram



Copyright © 2017, Texas Instruments Incorporated

- A. Stores Secure Copy Code Functions on all devices.
- B. Not all peripheral pins are available at the same time due to multiplexing.

**Figure 3-1. Functional Block Diagram**

## Table of Contents

|  |    |  |     |
|--|----|--|-----|
| <b>1 Features</b> .....  | 1  | 7.14 Flash Timing.....   | 31  |
| <b>2 Applications</b> .....  | 1  | <b>8 Detailed Description</b> .....                                  | 34  |
| <b>3 Description</b> .....   | 2  | 8.1 Overview.....  | 34  |
| 3.1 Functional Block Diagram.....  | 3  | 8.2 Memory Maps.....   | 45  |
| <b>4 Revision History</b> .....  | 4  | 8.3 Register Map.....  | 52  |
| <b>5 Device Comparison</b> .....   | 5  | 8.4 Device Emulation Registers.....                                  | 54  |
| 5.1 Related Products.....  | 6  | 8.5 VREG, BOR, POR.....  | 57  |
| <b>6 Terminal Configuration and Functions</b> .....                          | 7  | 8.6 System Control.....  | 59  |
| 6.1 Pin Diagram.....   | 7  | 8.7 Low-power Modes Block.....                                       | 67  |
| 6.2 Signal Descriptions.....   | 8  | 8.8 Interrupts.....  | 68  |
| <b>7 Specifications</b> .....  | 16 | 8.9 Peripherals.....   | 73  |
| 7.1 Absolute Maximum Ratings.....  | 16 | <b>9 Applications, Implementation, and Layout</b> .....              | 140 |
| 7.2 ESD Ratings – Commercial.....  | 16 | 9.1 TI Reference Design.....   | 140 |
| 7.3 ESD Ratings – Automotive.....  | 16 | <b>10 Device and Documentation Support</b> .....                     | 141 |
| 7.4 Recommended Operating Conditions.....                                    | 17 | 10.1 Getting Started.....  | 141 |
| 7.5 Power Consumption Summary.....   | 18 | 10.2 Device and Development Support Tool<br>Nomenclature.....        | 141 |
| 7.6 Electrical Characteristics.....  | 21 | 10.3 Tools and Software.....   | 142 |
| 7.7 Thermal Resistance Characteristics for PN<br>Package.....                | 22 | 10.4 Documentation Support.....                                      | 144 |
| 7.8 Thermal Design Considerations.....                                       | 22 | 10.5 Support Resources.....  | 145 |
| 7.9 JTAG Debug Probe Connection Without Signal<br>Buffering for the MCU..... | 23 | 10.6 Trademarks.....   | 145 |
| 7.10 Parameter Information.....  | 24 | 10.7 Electrostatic Discharge Caution.....                            | 145 |
| 7.11 Test Load Circuit.....  | 24 | 10.8 Glossary.....   | 145 |
| 7.12 Power Sequencing.....   | 25 | <b>11 Mechanical, Packaging, and Orderable<br/>Information</b> ..... | 146 |
| 7.13 Clock Specifications.....   | 28 | 11.1 Packaging Information.....                                      | 146 |

## 4 Revision History

### Changes from February 2, 2021 to September 13, 2021 (from Revision E (February 2021) to Revision F (September 2021))

|   | Page |
|---|------|
| • <a href="#">Table 5-1</a> , Device Comparison: Changed "SCI" to "SCI/UART". Updated footnote about TMS320F2805xM and TMS320F2805xF. Added device numbers in Temperature options section. .... | 5    |
| • <a href="#">Section 6.2.1</a> , Signal Descriptions: Updated DESCRIPTION of VREGENZ.....  | 8    |
| • <a href="#">Section 7.2</a> , ESD Ratings – Commercial: Updated device numbers.....   | 16   |
| • <a href="#">Section 7.3</a> , ESD Ratings – Automotive: Updated device numbers.....   | 16   |
| • <a href="#">Section 7.13.1.3</a> , Internal Zero-Pin Oscillator (INTOSC1, INTOSC2) Characteristics: Updated footnote about oscillator frequency.....  | 29   |
| • <a href="#">Section 8.1.10</a> , Security: Updated section.....   | 37   |
| • <a href="#">Figure 8-1</a> , 28055 and 28054 Memory Map: Changed “Secure Zone + ECSL” to “Secure Zone”.....   | 45   |
| • <a href="#">Figure 8-2</a> , 28053 and 28052 Memory Map: Changed “Secure Zone + ECSL” to “Secure Zone”.....   | 45   |
| • <a href="#">Figure 8-3</a> , 28051 Memory Map: Changed “Secure Zone + ECSL” to “Secure Zone”.....   | 45   |
| • <a href="#">Figure 8-4</a> , 28050 Memory Map: Changed “Secure Zone + ECSL” to “Secure Zone”.....   | 45   |
| • <a href="#">Section 10.1</a> , Getting Started: Updated reference page link.....  | 141  |
| • <a href="#">Section 10.3</a> , Tools and Software: Updated section.....   | 142  |

## 5 Device Comparison

Table 5-1 lists the features of the TMS320F2805x devices.

**Table 5-1. Device Comparison**

| FEATURE   | 28055<br>(60 MHz)    | 28054<br>28054-Q1<br>28054M <sup>(1)</sup><br>28054M-Q1<br>28054F <sup>(1)</sup><br>28054F-Q1<br>(60 MHz) | 28053<br>(60 MHz) | 28052<br>28052-Q1<br>28052M <sup>(1)</sup><br>28052M-Q1<br>28052F <sup>(1)</sup><br>28052F-Q1<br>(60 MHz) | 28051<br>(60 MHz) | 28050<br>(60 MHz) |
|---|----------------------|---|-------------------|---|-------------------|-------------------|
| Package type  | 80-pin PN LQFP       | 80-pin PN LQFP  | 80-pin PN LQFP    | 80-pin PN LQFP  | 80-pin PN LQFP    | 80-pin PN LQFP    |
| Instruction cycle   | 16.67 ns             | 16.67 ns  | 16.67 ns          | 16.67 ns  | 16.67 ns          | 16.67 ns          |
| CLA   | Yes                  | No  | Yes               | No  | No                | No                |
| On-chip flash (16-bit word)   | 64K                  | 64K   | 32K               | 32K   | 32K               | 16K               |
| On-chip SARAM (16-bit word)   | 10K                  | 10K (28054)<br>8K (28054M)<br>8K (28054F)   | 10K               | 10K (28052)<br>8K (28052M)<br>8K (28052F)   | 8K                | 6K                |
| Dual-zone security for on-chip flash, SARAM, OTP, and secure ROM blocks | Yes                  | Yes   | Yes               | Yes   | Yes               | Yes               |
| Boot ROM (12K × 16)   | Yes                  | Yes   | Yes               | Yes   | Yes               | Yes               |
| One-time programmable (OTP) ROM (16-bit word)                           | 1K                   | 1K  | 1K                | 1K  | 1K                | 1K                |
| ePWM channels   | 14                   | 14  | 14                | 14  | 14                | 14                |
| eCAP inputs   | 1                    | 1   | 1                 | 1   | 1                 | 1                 |
| eQEP modules  | 1                    | 1   | 1                 | 1   | 1                 | 1                 |
| Watchdog timer  | Yes                  | Yes   | Yes               | Yes   | Yes               | Yes               |
| 12-Bit ADC  | MSPS                 | 3.75  | 3.75              | 3.75  | 2                 | 2                 |
|   | Conversion time      | 267 ns  | 267 ns            | 267 ns  | 500 ns            | 500 ns            |
|   | Channels             | 16  | 16                | 16  | 16                | 16                |
|   | Temperature sensor   | Yes   | Yes               | Yes   | Yes               | Yes               |
|   | Dual sample-and-hold | Yes   | Yes               | Yes   | Yes               | Yes               |
| PGA (Gain ≈ 3, 6, or 11)  | 4                    | 4   | 4                 | 4   | 4                 | 3                 |
| Fixed Gain Amplifier (Gain ≈ 3)   | 3                    | 3   | 3                 | 3   | 3                 | 4                 |
| Comparators   | 7                    | 7   | 7                 | 7   | 7                 | 6                 |
| Internal comparator reference DACs                                      | 3                    | 3   | 3                 | 3   | 3                 | 2                 |
| Buffered reference DAC  | 1                    | 1   | 1                 | 1   | 1                 | 1                 |
| 32-Bit CPU timers   | 3                    | 3   | 3                 | 3   | 3                 | 3                 |
| I2C   | 1                    | 1   | 1                 | 1   | 1                 | 1                 |
| eCAN  | 1                    | 1   | 1                 | 1   | 1                 | 1                 |
| SPI   | 1                    | 1   | 1                 | 1   | 1                 | 1                 |
| SCI/UART  | 3                    | 3   | 3                 | 3   | 3                 | 3                 |
| 0-pin oscillators   | 2                    | 2   | 2                 | 2   | 2                 | 2                 |
| I/O pins (shared)   GPIO  | 42                   | 42  | 42                | 42  | 42                | 42                |
| External interrupts   | 3                    | 3   | 3                 | 3   | 3                 | 3                 |
| Supply voltage (nominal)  | 3.3 V                | 3.3 V   | 3.3 V             | 3.3 V   | 3.3 V             | 3.3 V             |

**Table 5-1. Device Comparison (continued)**

| FEATURE             |                                  | 28055<br>(60 MHz) | 28054  | 28053<br>(60 MHz) | 28052  | 28051<br>(60 MHz) | 28050<br>(60 MHz) |
|---------------------|----------------------------------|-------------------|--|-------------------|--|-------------------|-------------------|
|                     |                                  |                   | 28054-Q1<br>28054M <sup>(1)</sup><br>28054M-Q1<br>28054F <sup>(1)</sup><br>28054F-Q1<br>(60 MHz) |                   | 28052-Q1<br>28052M <sup>(1)</sup><br>28052M-Q1<br>28052F <sup>(1)</sup><br>28052F-Q1<br>(60 MHz) |                   |                   |
| Temperature options | T: -40°C to 105°C                | 28055             | 28054<br>28054M<br>28054F  | 28053             | 28052<br>28052M<br>28052F  | 28051             | 28050             |
|                     | S: -40°C to 125°C                | 28055             | 28054 only   | 28053             | 28052 only   | 28051             | 28050             |
|                     | Q: -40°C to 125°C <sup>(2)</sup> | –                 | 28054-Q1<br>28054M-Q1<br>28054F-Q1   | –                 | 28052-Q1<br>28052M-Q1<br>28052F-Q1   | –                 | –                 |

- (1) TMS320F2805xF devices are InstaSPIN-FOC-enabled MCUs. TMS320F2805xM devices are InstaSPIN-MOTION-enabled MCUs. However, InstaSPIN-MOTION is no longer recommended for new designs and will not have application support. On these devices, TI has secured Zone1 and allocated RAML0 to Zone1. Because of this, Zone1 and RAML0 are not available for customer applications; only Zone2 is available. For more information, see [Section 10.4](#) for a list of InstaSPIN Technical Reference Manuals.
- (2) The letter Q refers to AEC Q100 qualification for automotive applications.

## 5.1 Related Products

For information about similar products, see the following links:

### [TMS320F2802x Real-Time Microcontrollers](#)

The F2802x series offers the lowest pin-count and Flash memory size options. InstaSPIN-FOC™ versions are available.

### [TMS320F2803x Real-Time Microcontrollers](#)

The F2803x series increases the pin-count and memory size options. The F2803x series also introduces the parallel control law accelerator (CLA) option.

### [TMS320F2805x Real-Time Microcontrollers](#)

The F2805x series is similar to the F2803x series but adds on-chip programmable gain amplifiers (PGAs). InstaSPIN-FOC and InstaSPIN-MOTION™ versions are available.

### [TMS320F2806x Real-Time Microcontrollers](#)

The F2806x series is the first to include a floating-point unit (FPU). The F2806x series also increases the pin-count, memory size options, and the quantity of peripherals. InstaSPIN-FOC™ and InstaSPIN-MOTION™ versions are available.

### [TMS320F2807x Real-Time Microcontrollers](#)

The F2807x series offers the most performance, largest pin counts, flash memory sizes, and peripheral options. The F2807x series includes the latest generation of accelerators, ePWM peripherals, and analog technology.

### [TMS320F28004x Real-Time Microcontrollers](#)

The F28004x series is a reduced version of the F2807x series with the latest generational enhancements. InstaSPIN-FOC and configurable logic block (CLB) versions are available.

## 6 Terminal Configuration and Functions

### 6.1 Pin Diagram

Figure 6-1 shows the 80-pin PN Low-Profile Quad Flatpack pin assignments.

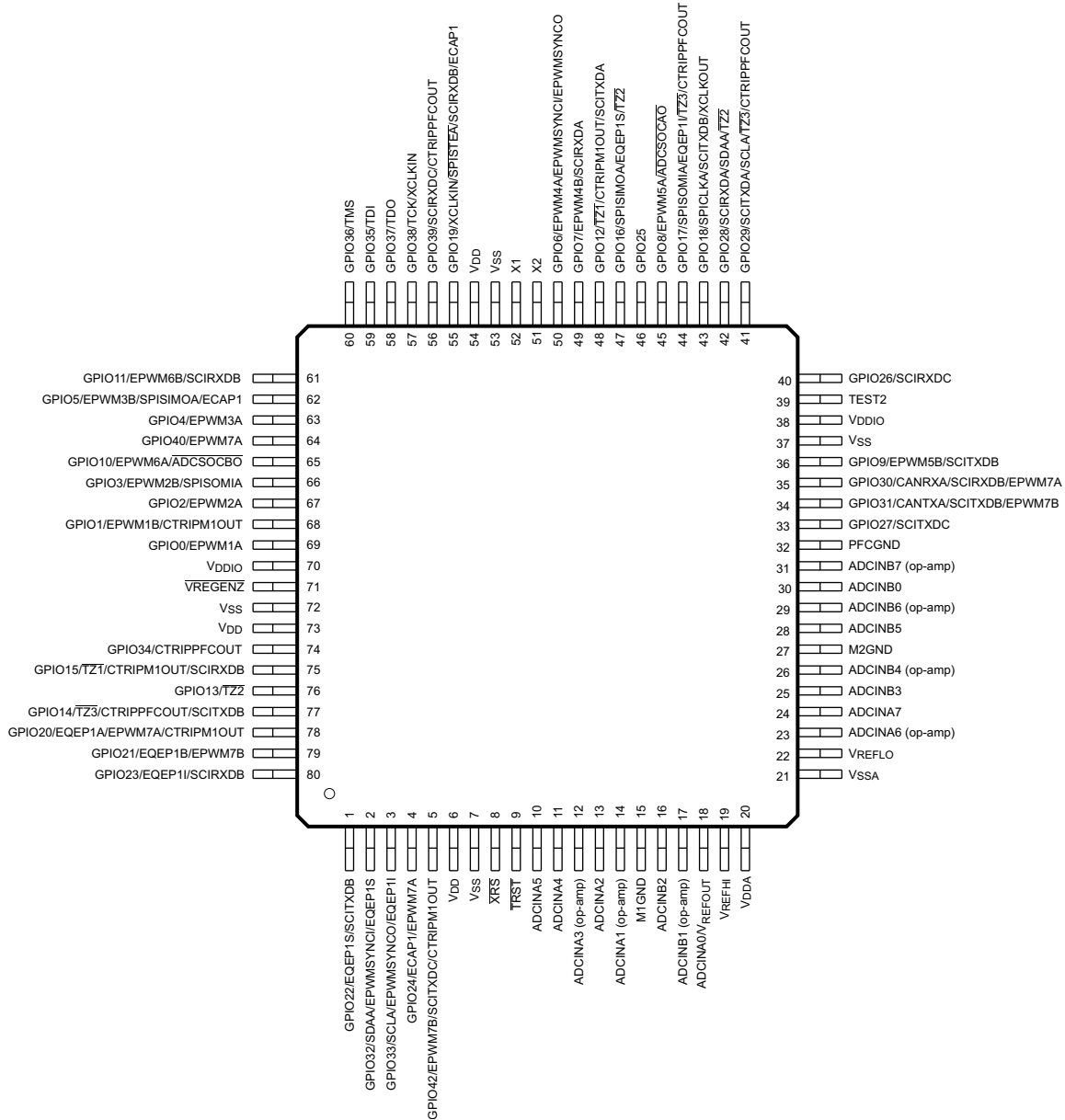


Figure 6-1. 2805x 80-Pin PN Low-Profile Quad Flatpack (Top View)

## 6.2 Signal Descriptions

Section 6.2.1 describes the signals. With the exception of the JTAG pins, the GPIO function is the default at reset, unless otherwise mentioned. The peripheral signals that are listed under them are alternate functions. Some peripheral functions may not be available in all devices. See Table 5-1 for details. Inputs are not 5-V tolerant. All GPIO pins are I/O/Z and have an internal pullup (PU), which can be selectively enabled or disabled on a per-pin basis. This feature only applies to the GPIO pins. The pullups on the PWM pins are not enabled at reset, except as noted in Section 6.2.1. The pullups on other GPIO pins are enabled upon reset.

### Note

When the on-chip VREG is used, the GPIO19, GPIO34, GPIO35, GPIO36, GPIO37, and GPIO38 pins could glitch during power up. This potential glitch will finish before the boot mode pins are read and will not affect boot behavior. If glitching is unacceptable in an application, 1.8 V could be supplied externally. Alternatively, adding a current-limiting resistor (for example, 470  $\Omega$ ) in series with these pins and any external driver could be considered to limit the potential for degradation to the pin and/or external circuitry. There is no power-sequencing requirement when using an external 1.8-V supply. However, if the 3.3-V transistors in the level-shifting output buffers of the I/O pins are powered prior to the 1.8-V transistors, it is possible for the output buffers to turn on, causing a glitch to occur on the pin during power up. To avoid this behavior, power the  $V_{DD}$  pins prior to or simultaneously with the  $V_{DDIO}$  pins, ensuring that the  $V_{DD}$  pins have reached 0.7 V before the  $V_{DDIO}$  pins reach 0.7 V.

### 6.2.1 Signal Descriptions

| TERMINAL     |            | I/O/Z <sup>(1)</sup> | DESCRIPTION   |
|--------------|------------|----------------------|---|
| NAME         | PN PIN NO. |                      |   |
| <b>JTAG</b>  |            |                      |   |
| TRST         | 9          | I                    | JTAG test reset with internal pulldown (PD). TRST, when driven high, gives the scan system control of the operations of the device. If this signal is not connected or driven low, the device operates in its functional mode, and the test reset signals are ignored. <b>NOTE:</b> TRST is an active high test pin and must be maintained low at all times during normal device operation. An external pulldown resistor is required on this pin. The value of this resistor should be based on drive strength of the debugger pods applicable to the design. A 2.2-k $\Omega$ resistor generally offers adequate protection. Because the value of the resistor is application-specific, TI recommends that each target board be validated for proper operation of the debugger and the application. (↓) |
| TCK          | See GPIO38 | I                    | See GPIO38. JTAG test clock with internal pullup. (↑)   |
| TMS          | See GPIO36 | I                    | See GPIO36. JTAG test-mode select (TMS) with internal pullup. This serial control input is clocked into the TAP controller on the rising edge of TCK.. (↑)  |
| TDI          | See GPIO35 | I                    | See GPIO35. JTAG test data input (TDI) with internal pullup. TDI is clocked into the selected register (instruction or data) on a rising edge of TCK. (↑)   |
| TDO          | See GPIO37 | O/Z                  | See GPIO37. JTAG scan out, test data output (TDO). The contents of the selected register (instruction or data) are shifted out of TDO on the falling edge of TCK. (8 mA drive)  |
| <b>FLASH</b> |            |                      |   |
| TEST2        | 39         | I/O                  | Test Pin. Reserved for TI. Must be left unconnected.  |

| TERMINAL     |                       | I/O/Z <sup>(1)</sup> | DESCRIPTION   |
|--------------|-----------------------|----------------------|---|
| NAME         | PN PIN NO.            |                      |   |
| <b>CLOCK</b> |                       |                      |   |
| XCLKOUT      | See GPIO18            | O/Z                  | See GPIO18. Output clock derived from SYSCLKOUT. XCLKOUT is either the same frequency, one-half the frequency, or one-fourth the frequency of SYSCLKOUT. The value of XCLKOUT is controlled by bits 1:0 (XCLKOUTDIV) in the XCLK register. At reset, XCLKOUT = SYSCLKOUT/4. The XCLKOUT signal can be turned off by setting XCLKOUTDIV to 3. The mux control for GPIO18 must also be set to XCLKOUT for this signal to propagate to the pin.  |
| XCLKIN       | See GPIO19 and GPIO38 | I                    | See GPIO19 and GPIO38. External oscillator input. Pin source for the clock is controlled by the XCLKINSEL bit in the XCLK register, GPIO38 is the default selection. This pin feeds a clock from an external 3.3-V oscillator. In this case, the X1 pin, if available, must be tied to GND and the on-chip crystal oscillator must be disabled through bit 14 in the CLKCTL register. If a crystal/resonator is used, the XCLKIN path must be disabled by bit 13 in the CLKCTL register. <b>NOTE:</b> Designs that use the GPIO38/TCK/XCLKIN pin to supply an external clock for normal device operation may need to incorporate some hooks to disable this path during debug using the JTAG connector. This action is to prevent contention with the TCK signal, which is active during JTAG debug sessions. The zero-pin internal oscillators may be used during this time to clock the device.   |
| X1           | 52                    | I                    | On-chip 1.8-V crystal-oscillator input. To use this oscillator, a quartz crystal or a ceramic resonator must be connected across X1 and X2. In this case, the XCLKIN path must be disabled by bit 13 in the CLKCTL register. If this pin is not used, this pin must be tied to GND. (I)   |
| X2           | 51                    | O                    | On-chip crystal-oscillator output. A quartz crystal or a ceramic resonator must be connected across X1 and X2. If X2 is not used, X2 must be left unconnected. (O)  |
| <b>RESET</b> |                       |                      |   |
| XRS          | 8                     | I/OD                 | Device Reset (in) and Watchdog Reset (out). These devices have a built-in power-on reset (POR) and brownout reset (BOR) circuitry. During a power-on or brownout condition, this pin is driven low by the device. An external circuit may also drive this pin to assert a device reset. This pin is also driven low by the MCU when a watchdog reset occurs. During watchdog reset, the $\overline{\text{XRS}}$ pin is driven low for the watchdog reset duration of 512 OSCCLK cycles. A resistor with a value from 2.2 k $\Omega$ to 10 k $\Omega$ should be placed between $\overline{\text{XRS}}$ and V <sub>DDIO</sub> . If a capacitor is placed between $\overline{\text{XRS}}$ and V <sub>SS</sub> for noise filtering, it should be 100 nF or smaller. These values will allow the watchdog to properly drive the XRS pin to V <sub>OL</sub> within 512 OSCCLK cycles when the watchdog reset is asserted. Regardless of the source, a device reset causes the device to terminate execution. The program counter points to the address contained at the location 0x3F FFC0. When reset is deactivated, execution begins at the location designated by the program counter. The output buffer of this pin is an open-drain with an internal pullup. (†) If this pin is driven by an external device, it should be done using an open-drain device. |

| TERMINAL                           |            | I/O/Z <sup>(1)</sup> | DESCRIPTION  |
|------------------------------------|------------|----------------------|--|
| NAME                               | PN PIN NO. |                      |  |
| <b>ADC, COMPARATOR, ANALOG I/O</b> |            |                      |  |
| ADCINA7                            | 24         | I                    | ADC Group A, Channel 7 input   |
| ADCINA6<br>(op-amp)                | 23         | I                    | ADC Group A, Channel 6 input   |
| ADCINA5                            | 10         | I                    | ADC Group A, Channel 5 input   |
| ADCINA4                            | 11         | I                    | ADC Group A, Channel 4 input   |
| ADCINA3<br>(op-amp)                | 12         | I                    | ADC Group A, Channel 3 input   |
| ADCINA2                            | 13         | I                    | ADC Group A, Channel 2 input   |
| ADCINA1<br>(op-amp)                | 14         | I                    | ADC Group A, Channel 1 input   |
| ADCINA0<br>V <sub>REFOUT</sub>     | 18         | I                    | ADC Group A, Channel 0 input<br>Voltage Reference out from buffered DAC  |
| V <sub>REFHI</sub>                 | 19         | I                    | ADC External Reference – used when in ADC external reference mode and used as V <sub>REFOUT</sub> reference  |
| ADCINB7<br>(op-amp)                | 31         | I                    | ADC Group B, Channel 7 input   |
| ADCINB6<br>(op-amp)                | 29         | I                    | ADC Group B, Channel 6 input   |
| ADCINB5                            | 28         | I                    | ADC Group B, Channel 5 input   |
| ADCINB4<br>(op-amp)                | 26         | I                    | ADC Group B, Channel 4 input   |
| ADCINB3                            | 25         | I                    | ADC Group B, Channel 3 input   |
| ADCINB2                            | 16         | I                    | ADC Group B, Channel 2 input   |
| ADCINB1<br>(op-amp)                | 17         | I                    | ADC Group B, Channel 1 input   |
| ADCINB0                            | 30         | I                    | ADC Group B, Channel 0 input   |
| V <sub>REFLO</sub>                 | 22         | I                    | ADC Low Reference (always tied to ground)  |
| <b>CPU AND I/O POWER</b>           |            |                      |  |
| V <sub>DDA</sub>                   | 20         |                      | Analog Power Pin. Tie with a 2.2- $\mu$ F capacitor (typical) close to the pin.  |
| V <sub>SSA</sub>                   | 21         |                      | Analog Ground Pin  |
| V <sub>DD</sub>                    | 6          |                      | CPU and Logic Digital Power Pins. When using internal VREG, place one 1.2- $\mu$ F capacitor between each V <sub>DD</sub> pin and ground. Higher value capacitors may be used.                                       |
|                                    | 54         |                      |  |
|                                    | 73         |                      |  |
| V <sub>DDIO</sub>                  | 38         |                      | Digital I/O Buffers and Flash Memory Power Pin. Single supply source when VREG is enabled. Place a decoupling capacitor on each pin. The exact value should be determined by the system voltage regulation solution. |
|                                    | 70         |                      |  |
| V <sub>SS</sub>                    | 7          |                      | Digital Ground Pins  |
|                                    | 37         |                      |  |
|                                    | 53         |                      |  |
|                                    | 72         |                      |  |
| M1GND                              | 15         |                      | Ground pin for amplifier (channels A1, A3, B1)   |
| M2GND                              | 27         |                      | Ground pin for amplifier (channels A6, B4, B6)   |
| PFCGND                             | 32         |                      | Ground pin for amplifier (channel B7)  |

| TERMINAL  |            | I/O/Z <sup>(1)</sup>     | DESCRIPTION  |
|---|------------|--------------------------|--|
| NAME  | PN PIN NO. |                          |  |
| <b>VOLTAGE REGULATOR CONTROL SIGNAL</b>           |            |                          |  |
| VREGENZ   | 71         | I                        | Internal voltage regulator (VREG) enable with internal pulldown. Tie directly to V <sub>SS</sub> (low) to enable the internal 1.8-V VREG. Tie directly to V <sub>DDIO</sub> (high) to disable the VREG and use an external 1.8-V supply. |
| <b>GPIO AND PERIPHERAL SIGNALS <sup>(2)</sup></b> |            |                          |  |
| <b>GPIO0</b><br>EPWM1A<br>Reserved<br>Reserved    | 69         | I/O/Z<br>O<br>–<br>–     | General-purpose input/output 0<br>Enhanced PWM1 Output A<br>Reserved<br>Reserved   |
| <b>GPIO1</b><br>EPWM1B<br>Reserved<br>CTRIPM1OUT  | 68         | I/O/Z<br>O<br>–<br>O     | General-purpose input/output 1<br>Enhanced PWM1 Output B<br>Reserved<br>CTRIPM1 CTRIPxx output   |
| <b>GPIO2</b><br>EPWM2A<br>Reserved<br>Reserved    | 67         | I/O/Z<br>O<br>–<br>–     | General-purpose input/output 2<br>Enhanced PWM2 Output A<br>Reserved<br>Reserved   |
| <b>GPIO3</b><br>EPWM2B<br>SPISOMIA<br>Reserved    | 66         | I/O/Z<br>O<br>I/O<br>–   | General-purpose input/output 3<br>Enhanced PWM2 Output B<br>SPI-A slave out, master in<br>Reserved   |
| <b>GPIO4</b><br>EPWM3A<br>Reserved<br>Reserved    | 63         | I/O/Z<br>O<br>–<br>–     | General-purpose input/output 4<br>Enhanced PWM3 output A<br>Reserved<br>Reserved   |
| <b>GPIO5</b><br>EPWM3B<br>SPISIMOA<br>ECAP1       | 62         | I/O/Z<br>O<br>I/O<br>I/O | General-purpose input/output 5<br>Enhanced PWM3 output B<br>SPI-A slave in, master out<br>Enhanced Capture input/output 1  |
| <b>GPIO6</b><br>EPWM4A<br>EPWMSYNCI<br>EPWMSYNCO  | 50         | I/O/Z<br>O<br>I<br>O     | General-purpose input/output 6<br>Enhanced PWM4 output A<br>External ePWM sync pulse input<br>External ePWM sync pulse output  |
| <b>GPIO7</b><br>EPWM4B<br>SCIRXDA<br>Reserved     | 49         | I/O/Z<br>O<br>I<br>–     | General-purpose input/output 7<br>Enhanced PWM4 output B<br>SCI-A receive data<br>Reserved   |
| <b>GPIO8</b><br>EPWM5A<br>Reserved<br>ADCSOCAO    | 45         | I/O/Z<br>O<br>–<br>O     | General-purpose input/output 8<br>Enhanced PWM5 output A<br>Reserved<br>ADC start-of-conversion A  |
| <b>GPIO9</b><br>EPWM5B<br>SCITXDB<br>Reserved     | 36         | I/O/Z<br>O<br>O<br>–     | General-purpose input/output 9<br>Enhanced PWM5 output B<br>SCI-B transmit data<br>Reserved  |

| TERMINAL  |            | I/O/Z <sup>(1)</sup>          | DESCRIPTION  |
|---|------------|-------------------------------|--|
| NAME  | PN PIN NO. |                               |  |
| <b>GPIO10</b><br>EPWM6A<br>Reserved<br>$\overline{\text{ADCSOCBO}}$           | 65         | I/O/Z<br>O<br>–<br>O          | General-purpose input/output 10<br>Enhanced PWM6 output A<br>Reserved<br>ADC start-of-conversion B   |
| <b>GPIO11</b><br>EPWM6B<br>SCIRXDB<br>Reserved                                | 61         | I/O/Z<br>O<br>I<br>–          | General-purpose input/output 11<br>Enhanced PWM6 output B<br>SCI-B receive data<br>Reserved  |
| <b>GPIO12</b><br>$\overline{\text{TZ1}}$<br>CTRIPM1OUT<br>SCITXDA<br>Reserved | 48         | I/O/Z<br>I<br>O<br>O<br>–     | General-purpose input/output 12<br>Trip Zone input 1<br>CTRIPM1 CTRIPxx output<br>SCI-A transmit data<br>Reserved  |
| <b>GPIO13</b><br>$\overline{\text{TZ2}}$<br>Reserved<br>Reserved              | 76         | I/O/Z<br>I<br>–<br>–          | General-purpose input/output 13<br>Trip zone input 2<br>Reserved<br>Reserved   |
| <b>GPIO14</b><br>$\overline{\text{TZ3}}$<br>CTRIPPFOUT<br>SCITXDB<br>Reserved | 77         | I/O/Z<br>I<br>O<br>O<br>–     | General-purpose input/output 14<br>Trip zone input 3<br>CTRIPPF output<br>SCI-B transmit data<br>Reserved  |
| <b>GPIO15</b><br>$\overline{\text{TZ1}}$<br>CTRIPM1OUT<br>SCIRXDB<br>Reserved | 75         | I/O/Z<br>I<br>O<br>I<br>–     | General-purpose input/output 15<br>Trip zone input 1<br>CTRIPM1 CTRIPxx output<br>SCI-B receive data<br>Reserved   |
| <b>GPIO16</b><br>SPISIMOA<br>EQEP1S<br>$\overline{\text{TZ2}}$                | 47         | I/O/Z<br>I/O<br>I/O<br>I      | General-purpose input/output 16<br>SPI-A slave in, master out<br>Enhanced QEP1 strobe<br>Trip Zone input 2   |
| <b>GPIO17</b><br>SPISOMIA<br>EQEP1I<br>$\overline{\text{TZ3}}$<br>CTRIPPFOUT  | 44         | I/O/Z<br>I/O<br>I/O<br>I<br>O | General-purpose input/output 17<br>SPI-A slave out, master in<br>Enhanced QEP1 index<br>Trip zone input 3<br>CTRIPPF output  |
| <b>GPIO18</b><br>SPICLKA<br>SCITXDB<br>XCLKOUT                                | 43         | I/O/Z<br>I/O<br>O<br>O/Z      | General-purpose input/output 18<br>SPI-A clock input/output<br>SCI-B transmit data<br>Output clock derived from SYSCLKOUT. XCLKOUT is either the same frequency, one-half the frequency, or one-fourth the frequency of SYSCLKOUT. The value of XCLKOUT is controlled by bits 1:0 (XCLKOUTDIV) in the XCLK register. At reset, XCLKOUT = SYSCLKOUT/4. The XCLKOUT signal can be turned off by setting XCLKOUTDIV to 3. The mux control for GPIO18 must also be set to XCLKOUT for this signal to propagate to the pin. |

| TERMINAL   |            | I/O/Z <sup>(1)</sup>              | DESCRIPTION  |
|--|------------|-----------------------------------|--|
| NAME   | PN PIN NO. |                                   |  |
| <b>GPIO19</b><br>XCLKIN<br><br>SPISTEA<br>SCIRXDB<br>ECAP1 | 55         | I/O/Z<br>I<br><br>I/O<br>I<br>I/O | General-purpose input/output 19<br>External Oscillator Input. The path from this pin to the clock block is not gated by the mux function of this pin. Care must be taken not to enable this path for clocking if this path is being used for the other peripheral functions<br>SPI-A slave transmit enable input/output<br>SCI-B receive data<br>Enhanced Capture input/output 1 |
| <b>GPIO20</b><br>EQEP1A<br>EPWM7A<br>CTRIPM1OUT            | 78         | I/O/Z<br>I<br>O<br>O              | General-purpose input/output 20. Internal pullup enabled by default.<br>Enhanced QEP1 input A<br>Enhanced PWM7 output A<br>CTRIPM1 CTRIPxx output  |
| <b>GPIO21</b><br>EQEP1B<br>EPWM7B<br>Reserved              | 79         | I/O/Z<br>I<br>O<br>–              | General-purpose input/output 21. Internal pullup enabled by default.<br>Enhanced QEP1 input B<br>Enhanced PWM7 output B<br>Reserved  |
| <b>GPIO22</b><br>EQEP1S<br>Reserved<br>SCITXDB             | 1          | I/O/Z<br>I/O<br>–<br>O            | General-purpose input/output 22<br>Enhanced QEP1 strobe<br>Reserved<br>SCI-B transmit data   |
| <b>GPIO23</b><br>EQEP1I<br>Reserved<br>SCIRXDB             | 80         | I/O/Z<br>I/O<br>–<br>I            | General-purpose input/output 23<br>Enhanced QEP1 index<br>Reserved<br>SCI-B receive data   |
| <b>GPIO24</b><br>ECAP1<br>EPWM7A<br>Reserved               | 4          | I/O/Z<br>I/O<br>O<br>–            | General-purpose input/output 24. Internal pullup enabled by default.<br>Enhanced Capture input/output 1<br>Enhanced PWM7 output A<br>Reserved  |
| <b>GPIO25</b><br>Reserved<br>Reserved<br>Reserved          | 46         | I/O/Z<br>–<br>–<br>–              | General-purpose input/output 25<br>Reserved<br>Reserved<br>Reserved  |
| <b>GPIO26</b><br>Reserved<br>SCIRXDC<br>Reserved           | 40         | I/O/Z<br>–<br>I<br>–              | General-purpose input/output 26<br>Reserved<br>SCI-C receive data<br>Reserved  |
| <b>GPIO27</b><br>Reserved<br>SCITXDC<br>Reserved           | 33         | I/O/Z<br>–<br>O<br>–              | General-purpose input/output 27<br>Reserved<br>SCI-C transmit data<br>Reserved   |
| <b>GPIO28</b><br>SCIRXDA<br>SDAA<br>TZ2                    | 42         | I/O/Z<br>I<br>I/OD<br>I           | General-purpose input/output 28<br>SCI-A receive data<br>I2C data open-drain bidirectional port<br>Trip zone input 2   |

| TERMINAL   |            | I/O/Z <sup>(1)</sup>         | DESCRIPTION  |
|--|------------|------------------------------|--|
| NAME   | PN PIN NO. |                              |  |
| <b>GPIO29</b><br>SCITXDA<br>SCLA<br>TZ3<br>CTRIPPFCOUT   | 41         | I/O/Z<br>O<br>I/OD<br>I<br>O | General-purpose input/output 29<br>SCI-A transmit data<br>I2C clock open-drain bidirectional port<br>Trip zone input 3<br>CTRIPPFC output  |
| <b>GPIO30</b><br>CANRXA<br>SCIRXDB<br>EPWM7A             | 35         | I/O/Z<br>I<br>I<br>O         | General-purpose input/output 30. Internal pullup enabled by default.<br>CAN receive<br>SCI-B receive data<br>Enhanced PWM7 output A  |
| <b>GPIO31</b><br>CANTXA<br>SCITXDB<br>EPWM7B             | 34         | I/O/Z<br>O<br>O<br>O         | General-purpose input/output 31. Internal pullup enabled by default.<br>CAN transmit<br>SCI-B transmit data<br>Enhanced PWM7 output B  |
| <b>GPIO32</b><br>SDAA<br>EPWMSYNCl<br>EQEP1S             | 2          | I/O/Z<br>I/OD<br>I<br>I/O    | General-purpose input/output 32<br>I2C data open-drain bidirectional port<br>Enhanced PWM external sync pulse input<br>Enhanced QEP1 strobe  |
| <b>GPIO33</b><br>SCLA<br>EPWMSYNCO<br>EQEP1I             | 3          | I/O/Z<br>I/OD<br>O<br>I/O    | General-Purpose Input/Output 33<br>I2C clock open-drain bidirectional port<br>Enhanced PWM external synch pulse output<br>Enhanced QEP1 index  |
| <b>GPIO34</b><br>Reserved<br>Reserved<br>CTRIPPFCOUT     | 74         | I/O/Z<br>–<br>–<br>O         | General-Purpose Input/Output 34<br>Reserved<br>Reserved<br>CTRIPPFC output   |
| <b>GPIO35</b><br>TDI<br>Reserved<br>Reserved<br>Reserved | 59         | I/O/Z<br>I<br>–<br>–<br>–    | General-Purpose Input/Output 35<br>JTAG test data input (TDI) with internal pullup. TDI is clocked into the selected register (instruction or data) on a rising edge of TCK<br>Reserved<br>Reserved<br>Reserved                          |
| <b>GPIO36</b><br>TMS<br>Reserved<br>Reserved<br>Reserved | 60         | I/O/Z<br>I<br>–<br>–<br>–    | General-Purpose Input/Output 36<br>JTAG test-mode select (TMS) with internal pullup. This serial control input is clocked into the TAP controller on the rising edge of TCK.<br>Reserved<br>Reserved<br>Reserved                         |
| <b>GPIO37</b><br>TDO<br>Reserved<br>Reserved<br>Reserved | 58         | I/O/Z<br>O/Z<br>–<br>–<br>–  | General-Purpose Input/Output 37<br>JTAG scan out, test data output (TDO). The contents of the selected register (instruction or data) are shifted out of TDO on the falling edge of TCK (8 mA drive)<br>Reserved<br>Reserved<br>Reserved |

| TERMINAL             |            | I/O/Z <sup>(1)</sup> | DESCRIPTION  |
|----------------------|------------|----------------------|--|
| NAME                 | PN PIN NO. |                      |  |
| GPIO38               | 57         | I/O/Z                | General-Purpose Input/Output 38  |
| XCLKIN               |            | I                    | External Oscillator Input. The path from this pin to the clock block is not gated by the mux function of this pin. Care must be taken to not enable this path for clocking if this path is being used for the other functions. |
| TCK                  |            | I                    | JTAG test clock with internal pullup   |
| Reserved             |            | –                    | Reserved   |
| Reserved             |            | –                    | Reserved   |
| Reserved             |            | –                    | Reserved   |
| <b><i>GPIO39</i></b> | 56         | I/O/Z                | General-Purpose Input/Output 39  |
| Reserved             |            | –                    | Reserved   |
| SCIRXDC              |            | I                    | SCI-C receive data   |
| CTRIPPFCOUT          |            | O                    | CTRIPPFC output  |
| <b><i>GPIO40</i></b> | 64         | I/O/Z                | General-Purpose Input/Output 40. Internal pullup enabled by default.   |
| EPWM7A               |            | O                    | Enhanced PWM7 output A   |
| Reserved             |            | –                    | Reserved   |
| Reserved             |            | –                    | Reserved   |
| <b><i>GPIO42</i></b> | 5          | I/O/Z                | General-Purpose Input/Output 42. Internal pullup enabled by default.   |
| EPWM7B               |            | O                    | Enhanced PWM7 output B   |
| SCITXDC              |            | O                    | SCI-C transmit data  |
| CTRIPM1OUT           |            | O                    | CTRIPM1 CTRIPxx output   |
|                      |            |                      |  |

(1) I = Input, O = Output, Z = High Impedance, OD = Open Drain, ↑ = Pullup, ↓ = Pulldown

(2) The GPIO function (shown in bold italics) is the default at reset. The peripheral signals that are listed under them are alternate functions. For JTAG pins that have the GPIO functionality multiplexed, the input path to the GPIO block is always valid. The output path from the GPIO block and the path to the JTAG block from a pin is enabled or disabled based on the condition of the TRST signal. For details, see the System Control and Interrupts chapter of the [TMS320x2805x Real-Time Microcontrollers Technical Reference Manual](#).

## 7 Specifications

Stresses beyond those listed under *Absolute Maximum Ratings* may cause permanent damage to the device. These are stress ratings only, and functional operation of the device at these or any other conditions beyond those indicated under the *Recommended Operating Conditions* is not implied. Exposure to absolute-maximum-rated conditions for extended periods may affect device reliability. All voltage values are with respect to  $V_{SS}$ , unless otherwise noted.

### 7.1 Absolute Maximum Ratings

over operating free-air temperature range (unless otherwise noted)

|                                     |  | MIN  | MAX | UNIT |
|-------------------------------------|--|------|-----|------|
| Supply voltage                      | $V_{DDIO}$ (I/O and flash) with respect to $V_{SS}$  | -0.3 | 4.6 | V    |
|                                     | $V_{DD}$ with respect to $V_{SS}$  | -0.3 | 2.5 |      |
| Analog voltage                      | $V_{DDA}$ with respect to $V_{SSA}$  | -0.3 | 4.6 | V    |
| Input voltage                       | $V_{IN}$ (3.3 V)   | -0.3 | 4.6 | V    |
|                                     | $V_{IN}$ (X1)  | -0.3 | 2.5 |      |
| Output voltage                      | $V_O$  | -0.3 | 4.6 | V    |
| Input clamp current                 | Digital input (per pin), $I_{IK}$ ( $V_{IN} < V_{SS}$ or $V_{IN} > V_{DDIO}$ ) <sup>(1)</sup>    | -20  | 20  | mA   |
|                                     | Analog input (per pin), $I_{IKANALOG}$ ( $V_{IN} < V_{SSA}$ or $V_{IN} > V_{DDA}$ )              | -20  | 20  |      |
|                                     | Total for all inputs, $I_{IKTOTAL}$ ( $V_{IN} < V_{SS}/V_{SSA}$ or $V_{IN} > V_{DDIO}/V_{DDA}$ ) | -20  | 20  |      |
| Output clamp current                | $I_{OK}$ ( $V_O < 0$ or $V_O > V_{DDIO}$ )   | -20  | 20  | mA   |
| Junction temperature <sup>(2)</sup> | $T_J$  | -40  | 150 | °C   |
| Storage temperature <sup>(2)</sup>  | $T_{stg}$  | -65  | 150 | °C   |

(1) Continuous clamp current per pin is  $\pm 2$  mA.

(2) Long-term high-temperature storage or extended use at maximum temperature conditions may result in a reduction of overall device life. For additional information, see the [Semiconductor and IC Package Thermal Metrics Application Report](#).

### 7.2 ESD Ratings – Commercial

|   |                               | VALUE  | UNIT       |
|---|-------------------------------|--|------------|
| TMS320F28055, TMS320F28054, TMS320F28054M, TMS320F28054F, TMS320F28053, TMS320F28052, TMS320F28052M, TMS320F28052F, TMS320F28051, TMS320F28050 in 80-pin PN package |                               |  |            |
| $V_{(ESD)}$   | Electrostatic discharge (ESD) | Human-body model (HBM), per ANSI/ESDA/JEDEC JS-001 <sup>(1)</sup>  | $\pm 2000$ |
|   |                               | Charged-device model (CDM), per JEDEC specification JESD22-C101 or ANSI/ESDA/JEDEC JS-002 <sup>(2)</sup> | $\pm 500$  |

(1) JEDEC document JEP155 states that 500-V HBM allows safe manufacturing with a standard ESD control process.

(2) JEDEC document JEP157 states that 250-V CDM allows safe manufacturing with a standard ESD control process.

### 7.3 ESD Ratings – Automotive

|   |                         | VALUE   | UNIT  |
|---|-------------------------|---|---|
| TMS320F28054-Q1, TMS320F28054M-Q1, TMS320F28054F-Q1, TMS320F28052-Q1, TMS320F28052M-Q1, TMS320F28052F-Q1 in 80-pin PN package |                         |   |   |
| $V_{(ESD)}$   | Electrostatic discharge | Human body model (HBM), per AEC Q100-002 <sup>(1)</sup> | All pins<br>$\pm 2000$  |
|   |                         | Charged device model (CDM), per AEC Q100-011            | All pins<br>$\pm 500$   |
|   |                         |   | Corner pins on 80-pin PN:<br>1, 20, 21, 40, 41, 60, 61, 80<br>$\pm 750$ |

(1) AEC Q100-002 indicates HBM stressing is done in accordance with the ANSI/ESDA/JEDEC JS-001 specification.

## 7.4 Recommended Operating Conditions

|   |                                       | MIN            | NOM | MAX              | UNIT |
|---|---------------------------------------|----------------|-----|------------------|------|
| Device supply voltage, I/O, $V_{DDIO}$  |                                       | 2.97           | 3.3 | 3.63             | V    |
| Device supply voltage CPU, $V_{DD}$ (When internal VREG is disabled and 1.8 V is supplied externally) |                                       | 1.71           | 1.8 | 1.995            | V    |
| Supply ground, $V_{SS}$   |                                       |                | 0   |                  | V    |
| Analog supply voltage, $V_{DDA}$  |                                       | 2.97           | 3.3 | 3.63             | V    |
| Analog ground, $V_{SSA}$  |                                       |                | 0   |                  | V    |
| Device clock frequency (system clock)   |                                       | 2              |     | 60               | MHz  |
| High-level input voltage, $V_{IH}$ (3.3 V)  |                                       | 2              |     | $V_{DDIO} + 0.3$ | V    |
| Low-level input voltage, $V_{IL}$ (3.3 V)   |                                       | $V_{SS} - 0.3$ |     | 0.8              | V    |
| High-level output source current, $V_{OH} = V_{OH(MIN)}$ , $I_{OH}$                                   | All GPIO pins                         |                |     | -4               | mA   |
|   | Group 2 <sup>(1)</sup>                |                |     | -8               |      |
| Low-level output sink current, $V_{OL} = V_{OL(MAX)}$ , $I_{OL}$                                      | All GPIO pins                         |                |     | 4                | mA   |
|   | Group 2 <sup>(1)</sup>                |                |     | 8                |      |
| Junction temperature, $T_J$   | T version                             | -40            |     | 105              | °C   |
|   | S version                             | -40            |     | 125              |      |
|   | Q version<br>(AEC Q100 qualification) | -40            |     | 125              |      |

(1) Group 2 pins are as follows: GPIO16, GPIO17, GPIO18, GPIO28, GPIO29, GPIO30, GPIO31, GPIO36, GPIO37

## 7.5 Power Consumption Summary

Section 7.5.1 lists the current consumption at 60-MHz SYCLKOUT.

### 7.5.1 TMS320F2805x Current Consumption at 60-MHz SYCLKOUT

| MODE                | TEST CONDITIONS  | VREG ENABLED                     |        |                                 |       | VREG DISABLED        |        |                                  |        |                                 |       |
|---------------------|--|----------------------------------|--------|---------------------------------|-------|----------------------|--------|----------------------------------|--------|---------------------------------|-------|
|                     |  | I <sub>DDIO</sub> <sup>(1)</sup> |        | I <sub>DDA</sub> <sup>(2)</sup> |       | I <sub>DD</sub>      |        | I <sub>DDIO</sub> <sup>(1)</sup> |        | I <sub>DDA</sub> <sup>(2)</sup> |       |
|                     |  | TYP <sup>(3)</sup>               | MAX    | TYP <sup>(3)</sup>              | MAX   | TYP <sup>(3)</sup>   | MAX    | TYP <sup>(3)</sup>               | MAX    | TYP <sup>(3)</sup>              | MAX   |
| Operational (flash) | <p>The following peripheral clocks are enabled:</p> <ul style="list-style-type: none"> <li>ePWM1, ePWM2, ePWM3, ePWM4, ePWM5, ePWM6, ePWM7</li> <li>eCAP1</li> <li>eQEP1</li> <li>eCAN-A</li> <li>CLA</li> <li>SCI-A, SCI-B, SCI-C</li> <li>SPI-A</li> <li>ADC</li> <li>I2C-A</li> <li>COMP1, COMP3, COMPB1, COMPB7</li> <li>CPU-Timer 0, CPU-Timer 1, CPU-Timer 2</li> </ul> <p>All PWM pins are toggled at 60 kHz. All I/O pins are left unconnected.<sup>(4)</sup><br/> <sup>(6)</sup><br/> Code is running out of flash with 2 wait-states. XCLKOUT is turned off.</p> | 95 mA <sup>(7)</sup>             | 132 mA | 40 mA                           | 60 mA | 85 mA <sup>(7)</sup> | 110 mA | 14 mA                            | 25 mA  | 40 mA                           | 60 mA |
| IDLE                | Flash is powered down. XCLKOUT is turned off. All peripheral clocks are turned off.  | 14 mA                            | 27 mA  | 15 µA                           | 25 µA | 14 mA                | 27 mA  | 120 µA                           | 450 µA | 15 µA                           | 25 µA |
| STANDBY             | Flash is powered down. Peripheral clocks are off.  | 9 mA                             | 15 mA  | 15 µA                           | 25 µA | 9 mA                 | 15 mA  | 120 µA                           | 450 µA | 15 µA                           | 25 µA |
| HALT                | Flash is powered down. Peripheral clocks are off. Input clock is disabled. <sup>(5)</sup>  | 300 µA                           |        | 15 µA                           | 25 µA | 50 µA                |        | 24 µA                            |        | 15 µA                           | 25 µA |

- (1) I<sub>DDIO</sub> current is dependent on the electrical loading on the I/O pins.
- (2) To realize the I<sub>DDA</sub> currents shown for IDLE, STANDBY, and HALT, clock to the ADC module must be turned off explicitly by writing to the PCLKCR0 register.
- (3) The TYP numbers are applicable over room temperature and nominal voltage.
- (4) The following is done in a loop:
  - Data is continuously transmitted out of SPI-A, SCI-A, SCI-B, SCI-C, eCAN-A, and I2C-A ports.
  - The hardware multiplier is exercised.
  - Watchdog is reset.
  - ADC is performing continuous conversion.
  - GPIO17 is toggled.
- (5) If a quartz crystal or ceramic resonator is used as the clock source, the HALT mode shuts down the on-chip crystal oscillator.
- (6) CLA is continuously performing polynomial calculations.
- (7) For F2805x devices that do not have CLA, subtract the I<sub>DD</sub> current number for CLA (see Table 7-1) from the I<sub>DD</sub> (VREG disabled)/I<sub>DDIO</sub> (VREG enabled) current numbers listed in Section 7.5.1 for operational mode.

**Note**

The peripheral-I/O multiplexing implemented in the device prevents simultaneous use of all available peripherals because more than one peripheral function may share an I/O pin. It is, however, possible to turn on the clocks to all the peripherals at the same time, although such a configuration is not useful. If the clocks to all the peripherals are turned on at the same time, the current drawn by the device will be more than the numbers specified in the current consumption tables.

**7.5.2 Reducing Current Consumption**

The 2805x devices incorporate a method to reduce the device current consumption. Because each peripheral unit has an individual clock-enable bit, significant reduction in current consumption can be achieved by turning off the clock to any peripheral module that is not used in a given application. Furthermore, any one of the three low-power modes could be taken advantage of to reduce the current consumption even further. [Table 7-1](#) indicates the typical reduction in current consumption achieved by turning off the clocks.

**Table 7-1. Typical Current Consumption by Various Peripherals (at 60 MHz)**

| PERIPHERAL MODULE <sup>(1) (2)</sup> | I <sub>DD</sub> CURRENT REDUCTION (mA) |
|--------------------------------------|--|
| ADC                                  | 2 <sup>(3)</sup>                       |
| I2C                                  | 3                                      |
| ePWM                                 | 2                                      |
| eCAP                                 | 2                                      |
| eQEP                                 | 2                                      |
| SCI                                  | 2                                      |
| SPI                                  | 2                                      |
| COMP/DAC                             | 1                                      |
| PGA                                  | 2                                      |
| CPU-TIMER                            | 1                                      |
| Internal zero-pin oscillator         | 0.5                                    |
| CAN                                  | 2.5                                    |
| CLA                                  | 20                                     |

- (1) All peripheral clocks (except CPU Timer clock) are disabled upon reset. Writing to or reading from peripheral registers is possible only after the peripheral clocks are turned on.
- (2) For peripherals with multiple instances, the current quoted is per module. For example, the 2 mA value quoted for ePWM is for one ePWM module.
- (3) This number represents the current drawn by the digital portion of the ADC module. Turning off the clock to the ADC module results in the elimination of the current drawn by the analog portion of the ADC (I<sub>DDA</sub>) as well.

**Note**

I<sub>DDIO</sub> current consumption is reduced by 15 mA (typical) when XCLKOUT is turned off.

**Note**

The baseline I<sub>DD</sub> current (current when the core is executing a dummy loop with no peripherals enabled) is 40 mA, typical. To arrive at the I<sub>DD</sub> current for a given application, the current-drawn by the peripherals (enabled by that application) must be added to the baseline I<sub>DD</sub> current.

Following are other methods to reduce power consumption further:

- The flash module may be powered down if code is run off SARAM. This method results in a current reduction of 18 mA (typical) in the  $V_{DD}$  rail and 13 mA (typical) in the  $V_{DDIO}$  rail.
- Savings in  $I_{DDIO}$  may be realized by disabling the pullups on pins that assume an output function.
- To realize the lowest  $V_{DDA}$  current consumption in a low-power mode, see the respective analog chapter of the [TMS320x2805x Real-Time Microcontrollers Technical Reference Manual](#) to ensure each module is powered down as well.
- Power savings can be achieved by powering down the flash. This must be done by code running off RAM (not flash).

### 7.5.3 Current Consumption Graphs (VREG Enabled)

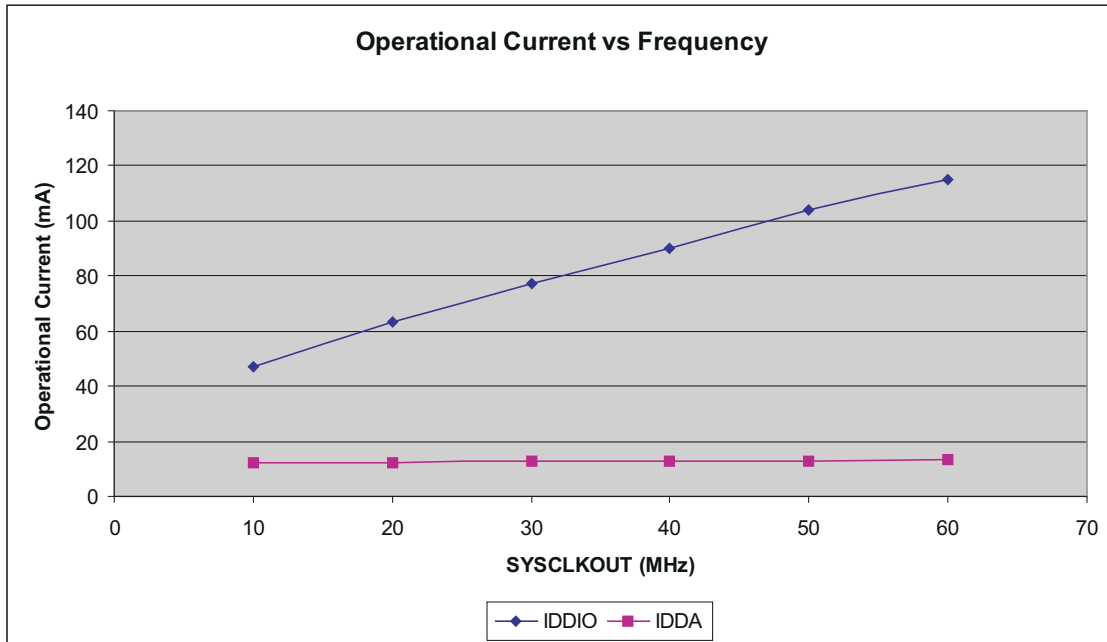


Figure 7-1. Typical Operational Current Versus Frequency (F2805x)

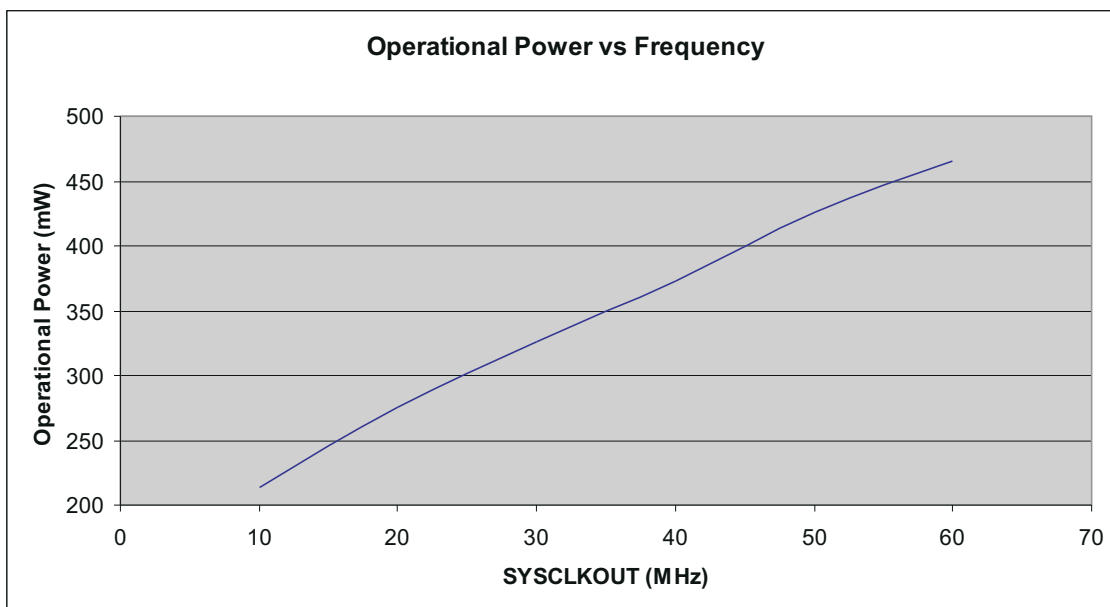


Figure 7-2. Typical Operational Power Versus Frequency (F2805x)

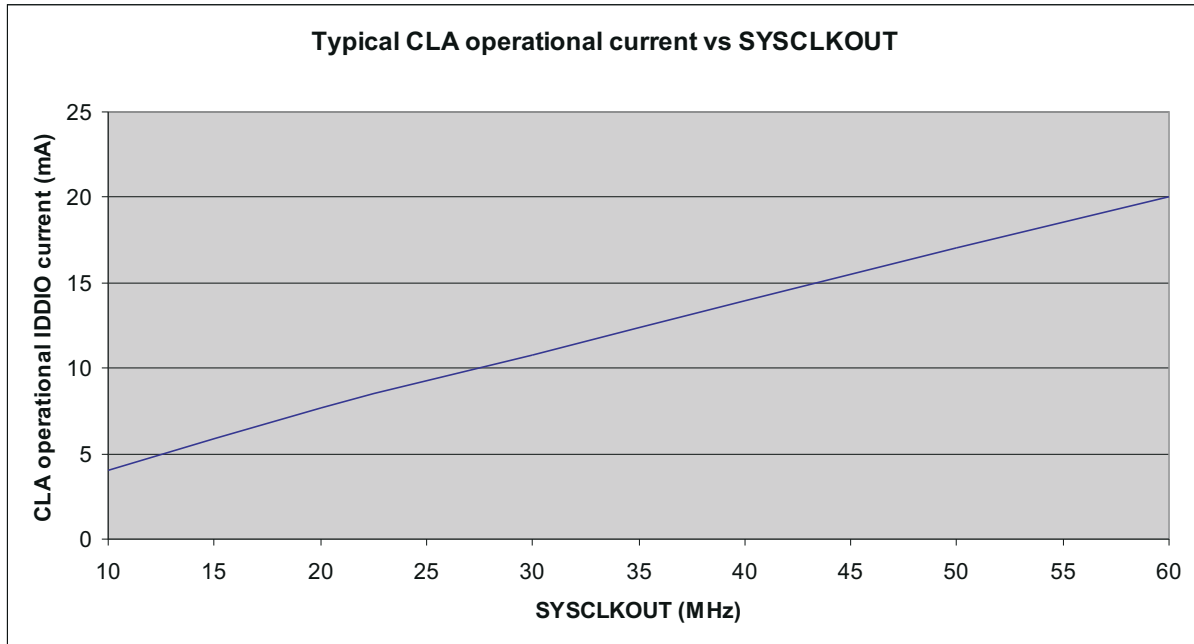


Figure 7-3. Typical CLA Operational Current Versus SYSCLKOUT

## 7.6 Electrical Characteristics

over recommended operating conditions (unless otherwise noted)

| PARAMETER <sup>(1)</sup> |   | TEST CONDITIONS  |  | MIN                     | TYP  | MAX  | UNIT |    |
|--------------------------|---|--|--|-------------------------|------|------|------|----|
| V <sub>OH</sub>          | High-level output voltage                   | I <sub>OH</sub> = I <sub>OH</sub> MAX                  |  | 2.4                     |      |      | V    |    |
|                          |   | I <sub>OH</sub> = 50 μA                                |  | V <sub>DDIO</sub> - 0.2 |      |      |      |    |
| V <sub>OL</sub>          | Low-level output voltage                    | I <sub>OL</sub> = I <sub>OL</sub> MAX                  |  | 0.4                     |      |      | V    |    |
| I <sub>IL</sub>          | Input current (low level)                   | Pin with pullup enabled                                | V <sub>DDIO</sub> = 3.3 V, V <sub>IN</sub> = 0 V               | All GPIO pins           | -80  | -140 | -205 | μA |
|                          |   |  |  | XRS pin                 | -230 | -300 | -375 |    |
|                          |   | Pin with pullup disabled                               | V <sub>DDIO</sub> = 3.3 V, V <sub>IN</sub> = 0 V               |                         |      |      | ±2   |    |
| I <sub>IH</sub>          | Input current (high level)                  | Pin with pulldown disabled                             | V <sub>DDIO</sub> = 3.3 V, V <sub>IN</sub> = V <sub>DDIO</sub> |                         |      |      | ±2   | μA |
|                          |   | Pin with pulldown enabled                              | V <sub>DDIO</sub> = 3.3 V, V <sub>IN</sub> = V <sub>DDIO</sub> | 28                      | 50   | 80   |      |    |
| I <sub>OZ</sub>          | Output current, pullup or pulldown disabled | V <sub>O</sub> = V <sub>DDIO</sub> or 0 V              |  |                         |      |      | ±2   | μA |
| C <sub>i</sub>           | Input capacitance                           |  |  | 2                       |      |      | pF   |    |
|                          | V <sub>DDIO</sub> BOR trip point            | Falling V <sub>DDIO</sub>                              |  | 2.78                    |      |      | V    |    |
|                          | V <sub>DDIO</sub> BOR hysteresis            |  |  | 35                      |      |      | mV   |    |
|                          | Supervisor reset release delay time         | Time after BOR/POR/OVR event is removed to XRS release |  | 400                     | 800  |      | μs   |    |
|                          | VREG V <sub>DD</sub> output                 | Internal VREG on                                       |  | 1.9                     |      |      | V    |    |

(1) When the on-chip VREG is used, its output is monitored by the POR/BOR circuit, which will reset the device should the core voltage (V<sub>DD</sub>) go out of range.

## 7.7 Thermal Resistance Characteristics for PN Package

|                                |   | °C/W <sup>(1)</sup> | AIR FLOW (lfm) <sup>(2)</sup> |
|--------------------------------|---|---------------------|-------------------------------|
| $R\theta_{JC}$                 | Junction-to-case thermal resistance     | 14.2                | 0                             |
| $R\theta_{JB}$                 | Junction-to-board thermal resistance    | 21.9                | 0                             |
| $R\theta_{JA}$<br>(High k PCB) | Junction-to-free air thermal resistance | 49.9                | 0                             |
|                                |   | 38.3                | 150                           |
|                                |   | 36.7                | 250                           |
|                                |   | 34.4                | 500                           |
| $\Psi_{sJT}$                   | Junction-to-package top                 | 0.8                 | 0                             |
|                                |   | 1.18                | 150                           |
|                                |   | 1.34                | 250                           |
|                                |   | 1.62                | 500                           |
| $\Psi_{sJB}$                   | Junction-to-board                       | 21.6                | 0                             |
|                                |   | 20.7                | 150                           |
|                                |   | 20.5                | 250                           |
|                                |   | 20.1                | 500                           |

(1) These values are based on a JEDEC defined 2S2P system (with the exception of the Theta JC [ $R\theta_{JC}$ ] value, which is based on a JEDEC defined 1S0P system) and will change based on environment as well as application. For more information, see these EIA/JEDEC standards:

- JESD51-2, *Integrated Circuits Thermal Test Method Environmental Conditions - Natural Convection (Still Air)*
- JESD51-3, *Low Effective Thermal Conductivity Test Board for Leaded Surface Mount Packages*
- JESD51-7, *High Effective Thermal Conductivity Test Board for Leaded Surface Mount Packages*
- JESD51-9, *Test Boards for Area Array Surface Mount Package Thermal Measurements*

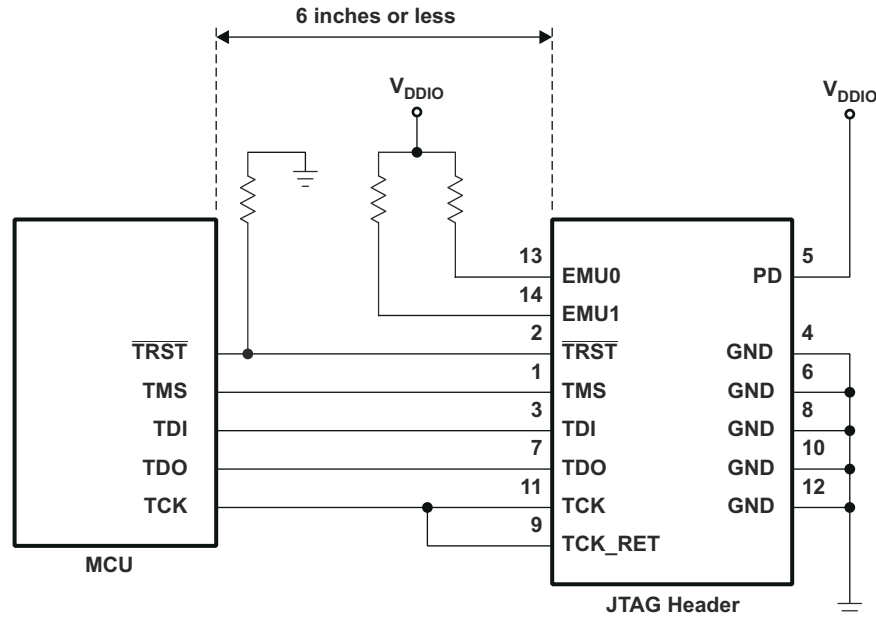
(2) lfm = linear feet per minute

## 7.8 Thermal Design Considerations

Based on the end application design and operational profile, the  $I_{DD}$  and  $I_{DDIO}$  currents could vary. Systems that exceed the recommended maximum power dissipation in the end product may require additional thermal enhancements. Ambient temperature ( $T_A$ ) varies with the end application and product design. The critical factor that affects reliability and functionality is  $T_J$ , the junction temperature, not the ambient temperature. Hence, care should be taken to keep  $T_J$  within the specified limits.  $T_{case}$  should be measured to estimate the operating junction temperature  $T_J$ .  $T_{case}$  is normally measured at the center of the package top-side surface. The [Semiconductor and IC Package Thermal Metrics Application Report](#) helps to understand the thermal metrics and definitions.

## 7.9 JTAG Debug Probe Connection Without Signal Buffering for the MCU

Figure 7-4 shows the connection between the MCU and JTAG header for a single-processor configuration. If the distance between the JTAG header and the MCU is greater than 6 inches, the emulation signals must be buffered. If the distance is less than 6 inches, buffering is typically not needed. Figure 7-4 shows the simpler, no-buffering situation. For the pullup and pulldown resistor values, see Section 6.2.



A. See Figure 8-42 for JTAG/GPIO multiplexing.

**Figure 7-4. JTAG Debug Probe Connection Without Signal Buffering for the MCU**

### Note

The 2805x devices do not have EMU0/EMU1 pins. For designs that have a JTAG Header onboard, the EMU0/EMU1 pins on the header must be tied to  $V_{DDIO}$  through a 4.7-k $\Omega$  (typical) resistor.

## 7.10 Parameter Information

### 7.10.1 Timing Parameter Symbology

Timing parameter symbols used are created in accordance with JEDEC Standard 100. To shorten the symbols, some of the pin names and other related terminology have been abbreviated as follows:

| Lowercase subscripts and their meanings: |                        | Letters and symbols and their meanings: |  |
|--|------------------------|---|--|
| a  | access time            | H                                       | High                                   |
| c  | cycle time (period)    | L                                       | Low                                    |
| d  | delay time             | V                                       | Valid                                  |
| f  | fall time              | X                                       | Unknown, changing, or don't care level |
| h  | hold time              | Z                                       | High impedance                         |
| r  | rise time              |   |  |
| su                                       | setup time             |   |  |
| t  | transition time        |   |  |
| v  | valid time             |   |  |
| w  | pulse duration (width) |   |  |

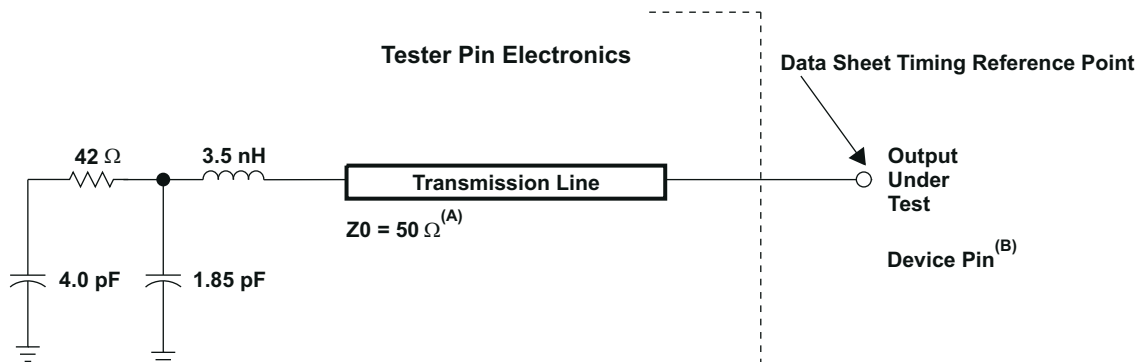
### 7.10.2 General Notes on Timing Parameters

All output signals from the 28x devices (including XCLKOUT) are derived from an internal clock such that all output transitions for a given half-cycle occur with a minimum of skewing relative to each other.

The signal combinations shown in the following timing diagrams may not necessarily represent actual cycles. For actual cycle examples, see the appropriate cycle description section of this document.

## 7.11 Test Load Circuit

This test load circuit is used to measure all switching characteristics provided in this document.

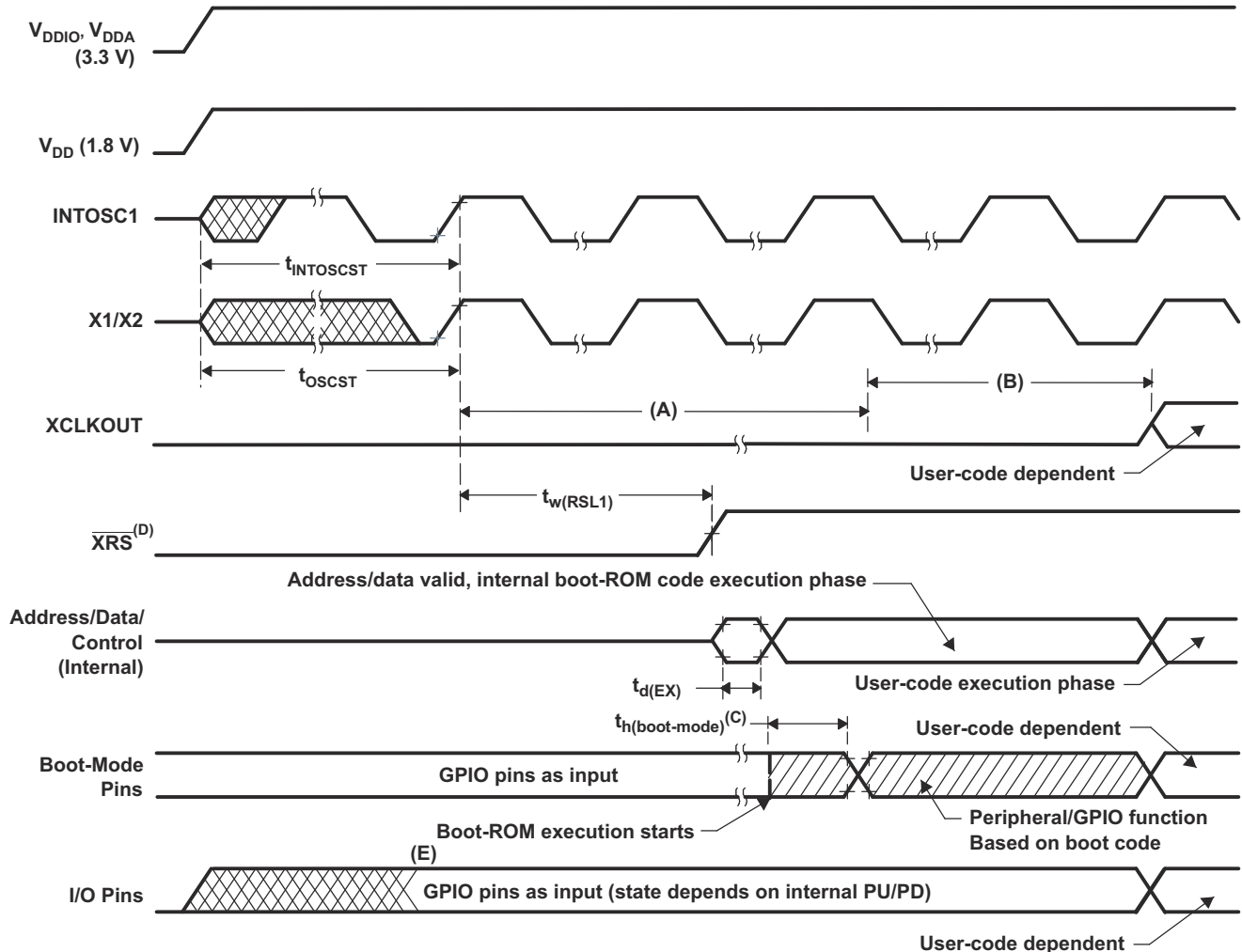


- Input requirements in this data sheet are tested with an input slew rate of < 4 Volts per nanosecond (4 V/ns) at the device pin.
- The data sheet provides timing at the device pin. For output timing analysis, the tester pin electronics and its transmission line effects must be taken into account. A transmission line with a delay of 2 ns or longer can be used to produce the desired transmission line effect. The transmission line is intended as a load only. It is not necessary to add or subtract the transmission line delay (2 ns or longer) from the data sheet timing.

**Figure 7-5. 3.3-V Test Load Circuit**

## 7.12 Power Sequencing

There is no power sequencing requirement needed to ensure the device is in the proper state after reset or to prevent the I/Os from glitching during power up or power down (GPIO19, GPIO34 to GPIO38 do not have glitch-free I/Os). No voltage larger than a diode drop (0.7 V) above  $V_{DDIO}$  should be applied to any digital pin (for analog pins, this value is 0.7 V above  $V_{DDA}$ ) before powering up the device. Voltages applied to pins on an unpowered device can bias internal p-n junctions in unintended ways and produce unpredictable results.



- Upon power up, SYSCLOCKOUT is OSCCLK/4. Because the XCLKOUTDIV bits in the XCLK register come up with a reset state of 0, SYSCLOCKOUT is further divided by 4 before SYSCLOCKOUT appears at XCLKOUT. XCLKOUT = OSCCLK/16 during this phase.
- Boot ROM configures the DIVSEL bits for /1 operation. XCLKOUT = OSCCLK/4 during this phase. XCLKOUT will not be visible at the pin until explicitly configured by user code.
- After reset, the boot ROM code samples Boot Mode pins. Based on the status of the Boot Mode pin, the boot code branches to destination memory or boot code function. If boot ROM code executes after power-on conditions (in debugger environment), the boot code execution time is based on the current SYSCLOCKOUT speed. The SYSCLOCKOUT will be based on user environment and could be with or without PLL enabled.
- Using the  $\overline{XRS}$  pin is optional due to the on-chip POR circuitry.
- The internal pullup or pulldown will take effect when BOR is driven high.

**Figure 7-6. Power-on Reset**

### 7.12.1 Reset ( $\overline{\text{XRS}}$ ) Timing Requirements

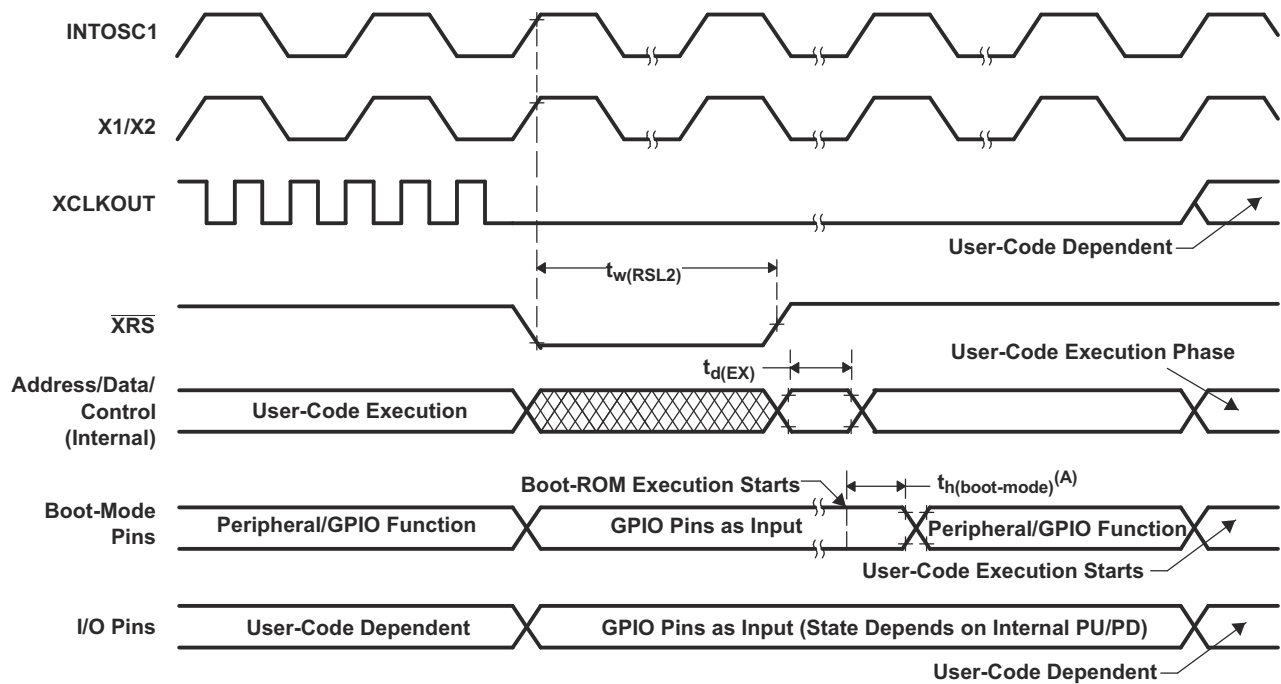
|                           |   | MIN                      | MAX | UNIT   |
|---------------------------|---|--------------------------|-----|--------|
| $t_{h(\text{boot-mode})}$ | Hold time for boot-mode pins                              | $1000t_{c(\text{SCO})}$  |     | cycles |
| $t_{w(\text{RSL2})}$      | Pulse duration, $\overline{\text{XRS}}$ low on warm reset | $32t_{c(\text{OSCCLK})}$ |     | cycles |

### 7.12.2 Reset ( $\overline{\text{XRS}}$ ) Switching Characteristics

over recommended operating conditions (unless otherwise noted)

| PARAMETER                |   | MIN | TYP                       | MAX | UNIT          |
|--------------------------|---|-----|---------------------------|-----|---------------|
| $t_{w(\text{RSL1})}$     | Pulse duration, $\overline{\text{XRS}}$ driven by device          |     | 600                       |     | $\mu\text{s}$ |
| $t_{w(\text{WDRS})}$     | Pulse duration, reset pulse generated by watchdog                 |     | $512t_{c(\text{OSCCLK})}$ |     | cycles        |
| $t_{d(\text{EX})}$       | Delay time, address/data valid after $\overline{\text{XRS}}$ high |     | $32t_{c(\text{OSCCLK})}$  |     | cycles        |
| $t_{\text{INTOSCST}}$    | Start-up time, internal zero-pin oscillator                       |     | 3                         |     | $\mu\text{s}$ |
| $t_{\text{OSCST}}^{(1)}$ | On-chip crystal-oscillator start-up time                          | 1   | 10                        |     | ms            |

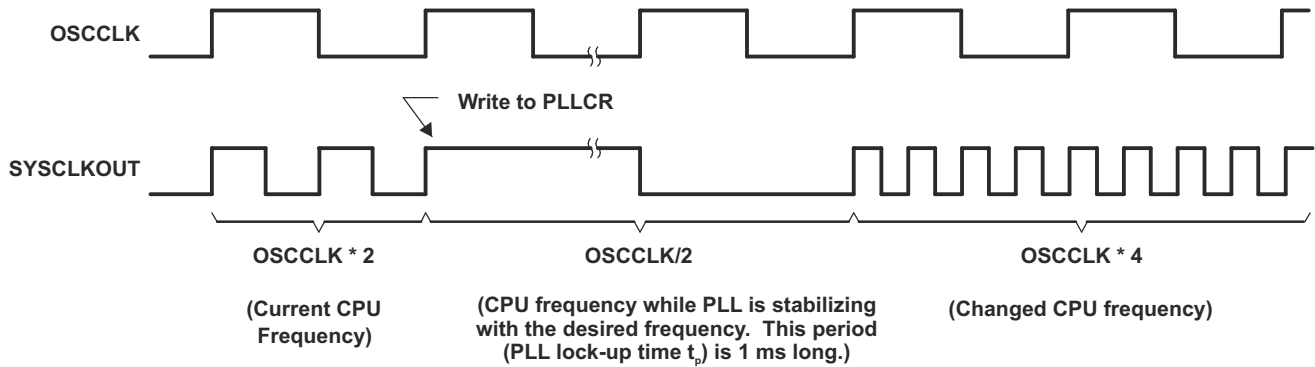
(1) Dependent on crystal/resonator and board design.



A. After reset, the Boot ROM code samples BOOT Mode pins. Based on the status of the Boot Mode pin, the boot code branches to destination memory or boot code function. If Boot ROM code executes after power-on conditions (in debugger environment), the Boot code execution time is based on the current SYSCLKOUT speed. The SYSCLKOUT will be based on user environment and could be with or without PLL enabled.

**Figure 7-7. Warm Reset**

Figure 7-8 shows an example for the effect of writing into PLLCR register. In the first phase, PLLCR = 0x0004 and SYSCLKOUT = OSCCLK × 2. The PLLCR is then written with 0x0008. Immediately after the PLLCR register is written, the PLL lock-up phase begins. During this phase, SYSCLKOUT = OSCCLK/2. After the PLL lock-up is complete, SYSCLKOUT reflects the new operating frequency, OSCCLK × 4.



**Figure 7-8. Example of Effect of Writing Into PLLCR Register**

## 7.13 Clock Specifications

### 7.13.1 Device Clock Table

This section provides the timing requirements and switching characteristics for the various clock options available on the 2805x MCUs. [Section 7.13.1.1](#) lists the cycle times of various clocks.

#### 7.13.1.1 2805x Clock Table and Nomenclature (60-MHz Devices)

|                       |                              | MIN   | NOM                  | MAX | UNIT |
|-----------------------|------------------------------|-------|----------------------|-----|------|
| SYSCLKOUT             | $t_{c(SCO)}$ , Cycle time    | 16.67 |                      | 500 | ns   |
|                       | Frequency                    | 2     |                      | 60  | MHz  |
| LSPCLK <sup>(1)</sup> | $t_{c(LCO)}$ , Cycle time    | 16.67 | 66.67 <sup>(2)</sup> |     | ns   |
|                       | Frequency                    |       | 15 <sup>(2)</sup>    | 60  | MHz  |
| ADC clock             | $t_{c(ADCCLK)}$ , Cycle time | 16.67 |                      |     | ns   |
|                       | Frequency                    |       |                      | 60  | MHz  |

(1) Lower LSPCLK will reduce device power consumption.

(2) This value is the default reset value if SYSCLKOUT = 60 MHz.

#### 7.13.1.2 Device Clocking Requirements/Characteristics

|   |                                | MIN   | NOM    | MAX  | UNIT |
|---|--------------------------------|-------|--------|------|------|
| On-chip oscillator (X1/X2 pins)<br>(Crystal/Resonator)          | $t_{c(OSC)}$ , Cycle time      | 50    |        | 200  | ns   |
|   | Frequency                      | 5     |        | 20   | MHz  |
| External oscillator/clock source<br>(XCLKIN pin) — PLL Enabled  | $t_{c(CI)}$ , Cycle time (C8)  | 33.3  |        | 200  | ns   |
|   | Frequency                      | 5     |        | 30   | MHz  |
| External oscillator/clock source<br>(XCLKIN pin) — PLL Disabled | $t_{c(CI)}$ , Cycle time (C8)  | 33.33 |        | 250  | ns   |
|   | Frequency                      | 4     |        | 30   | MHz  |
| Limp mode SYSCLKOUT<br>(with /2 enabled)                        | Frequency range                |       | 1 to 5 |      | MHz  |
| XCLKOUT   | $t_{c(XCO)}$ , Cycle time (C1) | 66.67 |        | 2000 | ns   |
|   | Frequency                      | 0.5   |        | 15   | MHz  |
| PLL lock time <sup>(1)</sup>                                    | $t_p$                          |       |        | 1    | ms   |

(1) The PLLLOCKPRD register must be updated based on the number of OSCCLK cycles. If the zero-pin internal oscillators (10 MHz) are used as the clock source, then the PLLLOCKPRD register must be written with a value of 10,000 (minimum).

### 7.13.1.3 Internal Zero-Pin Oscillator (INTOSC1, INTOSC2) Characteristics

| PARAMETER   |           | MIN | TYP    | MAX  | UNIT   |
|---|-----------|-----|--------|------|--------|
| Internal zero-pin oscillator 1 (INTOSC1) at 30°C <sup>(1) (2)</sup> | Frequency |     | 10.000 |      | MHz    |
| Internal zero-pin oscillator 2 (INTOSC2) at 30°C <sup>(1) (2)</sup> | Frequency |     | 10.000 |      | MHz    |
| Accuracy using oscillator compensation <sup>(1) (2)</sup>           |           |     | ±1%    |      |        |
| Step size (coarse trim)   |           |     | 55     |      | kHz    |
| Step size (fine trim)   |           |     | 14     |      | kHz    |
| Temperature drift <sup>(3)</sup>                                    |           |     | 3.03   | 4.85 | kHz/°C |
| Voltage (V <sub>DD</sub> ) drift <sup>(3)</sup>                     |           |     | 175    |      | Hz/mV  |

- (1) Oscillator frequency will vary over temperature, see [Figure 7-9](#). To compensate for oscillator temperature drift, see the [Oscillator Compensation Guide](#) and [C2000Ware](#) for C2000 MCUs.
- (2) Frequency range is ensured only when VREG is enabled,  $\overline{VREGENZ} = V_{SS}$ .
- (3) Output frequency of the internal oscillators follows the direction of both the temperature gradient and voltage (V<sub>DD</sub>) gradient. For example:
  - An increase in temperature causes the output frequency to increase according to the temperature coefficient.
  - A decrease in voltage (V<sub>DD</sub>) causes the output frequency to decrease according to the voltage coefficient.

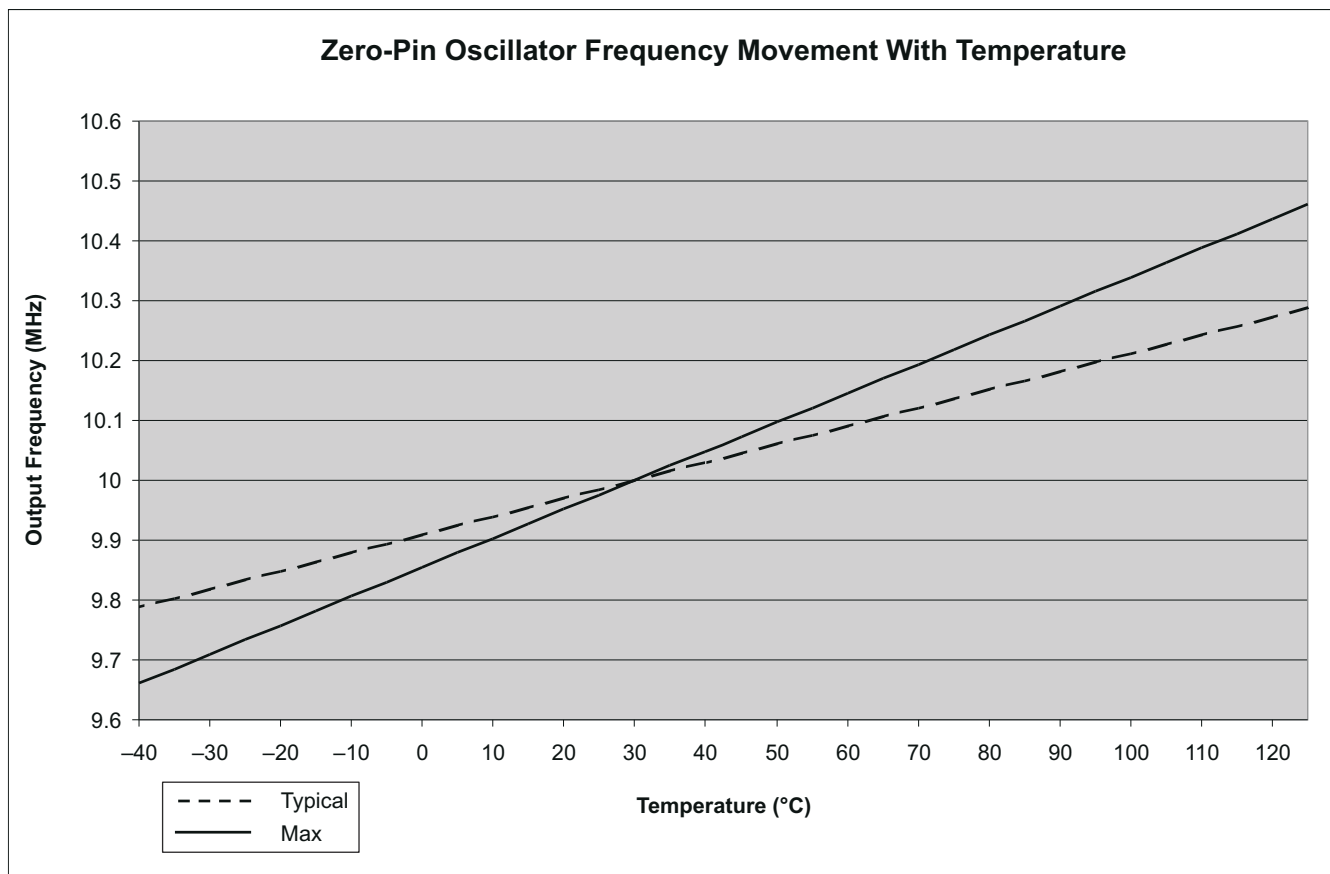


Figure 7-9. Zero-Pin Oscillator Frequency Movement With Temperature

## 7.13.2 Clock Requirements and Characteristics

### 7.13.2.1 XCLKIN Timing Requirements - PLL Enabled

| NO. |              |  | MIN | MAX | UNIT |
|-----|--------------|--|-----|-----|------|
| C9  | $t_{f(CI)}$  | Fall time, XCLKIN  |     | 6   | ns   |
| C10 | $t_{r(CI)}$  | Rise time, XCLKIN  |     | 6   | ns   |
| C11 | $t_{w(CIL)}$ | Pulse duration, XCLKIN low as a percentage of $t_{c(OSCCLK)}$  | 45% | 55% |      |
| C12 | $t_{w(CIH)}$ | Pulse duration, XCLKIN high as a percentage of $t_{c(OSCCLK)}$ | 45% | 55% |      |

### 7.13.2.2 XCLKIN Timing Requirements - PLL Disabled

| NO. |              |  | MIN              | MAX | UNIT |
|-----|--------------|--|------------------|-----|------|
| C9  | $t_{f(CI)}$  | Fall time, XCLKIN  | Up to 20 MHz     | 6   | ns   |
|     |              |  | 20 MHz to 30 MHz | 2   |      |
| C10 | $t_{r(CI)}$  | Rise time, XCLKIN  | Up to 20 MHz     | 6   | ns   |
|     |              |  | 20 MHz to 30 MHz | 2   |      |
| C11 | $t_{w(CIL)}$ | Pulse duration, XCLKIN low as a percentage of $t_{c(OSCCLK)}$  | 45%              | 55% |      |
| C12 | $t_{w(CIH)}$ | Pulse duration, XCLKIN high as a percentage of $t_{c(OSCCLK)}$ | 45%              | 55% |      |

The possible configuration modes are shown in [Table 8-21](#).

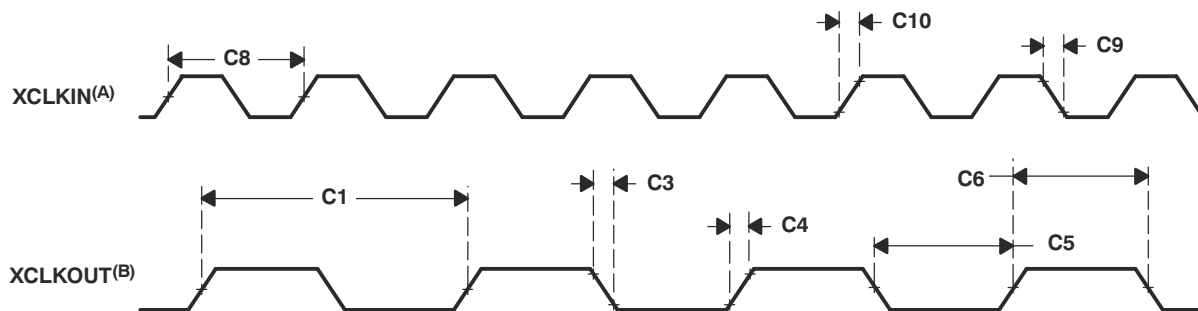
### 7.13.2.3 XCLKOUT Switching Characteristics (PLL Bypassed or Enabled)

over recommended operating conditions (unless otherwise noted)

| NO. | PARAMETER <sup>(1)</sup>                   | MIN           | MAX           | UNIT |
|-----|--|---------------|---------------|------|
| C3  | $t_{f(XCO)}$ Fall time, XCLKOUT            |               | 5             | ns   |
| C4  | $t_{r(XCO)}$ Rise time, XCLKOUT            |               | 5             | ns   |
| C5  | $t_{w(XCOL)}$ Pulse duration, XCLKOUT low  | $H - 2^{(2)}$ | $H + 2^{(2)}$ | ns   |
| C6  | $t_{w(XCOH)}$ Pulse duration, XCLKOUT high | $H - 2^{(2)}$ | $H + 2^{(2)}$ | ns   |

(1) A load of 40 pF is assumed for these parameters.

(2)  $H = 0.5t_{c(XCO)}$



A. The relationship of XCLKIN to XCLKOUT depends on the divide factor chosen. The waveform relationship shown is intended to illustrate the timing parameters only and may differ based on actual configuration.

B. XCLKOUT configured to reflect SYSCLKOUT.

**Figure 7-10. Clock Timing**

## 7.14 Flash Timing

### 7.14.1 Flash/OTP Endurance for T Temperature Material

|                  |  | ERASE/PROGRAM TEMPERATURE <sup>(1)</sup> | MIN   | TYP   | MAX | UNIT   |
|------------------|--|--|-------|-------|-----|--------|
| N <sub>f</sub>   | Flash endurance for the array (write/erase cycles) | 0°C to 105°C (ambient)                   | 20000 | 50000 |     | cycles |
| N <sub>OTP</sub> | OTP endurance for the array (write cycles)         | 0°C to 30°C (ambient)                    |       |       | 1   | write  |

(1) Write/erase operations outside of the temperature ranges indicated are not specified and may affect the endurance numbers.

### 7.14.2 Flash/OTP Endurance for S Temperature Material

|                  |  | ERASE/PROGRAM TEMPERATURE <sup>(1)</sup> | MIN   | TYP   | MAX | UNIT   |
|------------------|--|--|-------|-------|-----|--------|
| N <sub>f</sub>   | Flash endurance for the array (write/erase cycles) | 0°C to 125°C (ambient)                   | 20000 | 50000 |     | cycles |
| N <sub>OTP</sub> | OTP endurance for the array (write cycles)         | 0°C to 30°C (ambient)                    |       |       | 1   | write  |

(1) Write/erase operations outside of the temperature ranges indicated are not specified and may affect the endurance numbers.

### 7.14.3 Flash/OTP Endurance for Q Temperature Material

|                  |  | ERASE/PROGRAM TEMPERATURE <sup>(1)</sup> | MIN   | TYP   | MAX | UNIT   |
|------------------|--|--|-------|-------|-----|--------|
| N <sub>f</sub>   | Flash endurance for the array (write/erase cycles) | -40°C to 125°C (ambient)                 | 20000 | 50000 |     | cycles |
| N <sub>OTP</sub> | OTP endurance for the array (write cycles)         | -40°C to 30°C (ambient)                  |       |       | 1   | write  |

(1) Write/erase operations outside of the temperature ranges indicated are not specified and may affect the endurance numbers.

### 7.14.4 Flash Parameters at 60-MHz SYSCLKOUT

| PARAMETER                         |  | TEST CONDITIONS | MIN | TYP | MAX                 | UNIT |
|-----------------------------------|--|-----------------|-----|-----|---------------------|------|
| Program Time <sup>(3)</sup>       | 8K Sector  |                 |     | 250 | 2000 <sup>(2)</sup> | ms   |
|                                   | 4K Sector  |                 |     | 125 | 2000 <sup>(2)</sup> | ms   |
|                                   | 16-Bit Word  |                 |     | 50  |                     | µs   |
| Erase Time <sup>(1)</sup>         | 8K Sector  |                 |     | 2   | 12 <sup>(2)</sup>   | s    |
|                                   | 4K Sector  |                 |     | 2   | 12 <sup>(2)</sup>   | s    |
| I <sub>DDP</sub> <sup>(4)</sup>   | V <sub>DD</sub> current consumption during Erase/Program cycle   | VREG disabled   |     | 80  |                     | mA   |
| I <sub>DDIOP</sub> <sup>(4)</sup> | V <sub>DDIO</sub> current consumption during Erase/Program cycle |                 |     | 60  |                     |      |
| I <sub>DDIOP</sub> <sup>(4)</sup> | V <sub>DDIO</sub> current consumption during Erase/Program cycle | VREG enabled    |     | 120 |                     | mA   |

- (1) The on-chip flash memory is in an erased state when the device is shipped from TI. As such, erasing the flash memory is not required prior to programming, when programming the device for the first time. However, the erase operation is needed on all subsequent programming operations.
- (2) Maximum flash parameter mentioned are for the first 100 program and erase cycles.
- (3) Program time is at the maximum device frequency. The programming time indicated in this table is applicable only when all the required code/data is available in the device RAM, ready for programming. Program time includes overhead of the flash state machine but does not include the time to transfer the following into RAM:
  - the code that uses flash API to program the flash
  - the Flash API itself
  - Flash data to be programmed
- (4) Typical parameters as seen at room temperature including function call overhead, with all peripherals off. It is important to maintain a stable power supply during the entire flash programming process. It is conceivable that device current consumption during flash programming could be higher than normal operating conditions. The power supply used should ensure V<sub>MIN</sub> on the supply rails at all times, as specified in the Recommended Operating Conditions of the data sheet. Any brown-out or interruption to power during erasing/programming could potentially corrupt the password locations and lock the device permanently. Powering a target board (during flash programming) through the USB port is not recommended, as the port may be unable to respond to the power demands placed during the programming process.

### 7.14.5 Flash/OTP Access Timing

| PARAMETER           |                          | MIN | MAX | UNIT |
|---------------------|--------------------------|-----|-----|------|
| t <sub>a(fp)</sub>  | Paged flash access time  | 40  |     | ns   |
| t <sub>a(fr)</sub>  | Random flash access time | 40  |     | ns   |
| t <sub>a(OTP)</sub> | OTP access time          | 60  |     | ns   |

### 7.14.6 Flash Data Retention Duration

| PARAMETER              |                         | TEST CONDITIONS       | MIN | MAX | UNIT  |
|------------------------|-------------------------|-----------------------|-----|-----|-------|
| t <sub>retention</sub> | Data retention duration | T <sub>J</sub> = 55°C | 15  |     | years |

**Table 7-2. Minimum Required Flash/OTP Wait-States at Different Frequencies**

| <b>SYSCLKOUT<br/>(MHz)</b> | <b>SYSCLKOUT<br/>(ns)</b> | <b>PAGE<br/>WAIT-STATE<sup>(1)</sup></b> | <b>RANDOM<br/>WAIT-STATE<sup>(1)</sup></b> | <b>OTP<br/>WAIT-STATE</b> |
|----------------------------|---------------------------|--|--|---------------------------|
| 60                         | 16.67                     | 2  | 2  | 3                         |
| 55                         | 18.18                     | 2  | 2  | 3                         |
| 50                         | 20                        | 1  | 1  | 2                         |
| 45                         | 22.22                     | 1  | 1  | 2                         |
| 40                         | 25                        | 1  | 1  | 2                         |
| 35                         | 28.57                     | 1  | 1  | 2                         |
| 30                         | 33.33                     | 1  | 1  | 1                         |

(1) Page and random wait-state must be  $\geq 1$ .

The equations to compute the Flash page wait-state and random wait-state in [Table 7-2](#) are as follows:

$$\text{Flash Page Wait State} = \left\lceil \left( \frac{t_{a(f \cdot p)}}{t_{c(SCO)}} \right) - 1 \right\rceil \text{ round up to the next highest integer}$$

$$\text{Flash Random Wait State} = \left\lceil \left( \frac{t_{a(f \cdot r)}}{t_{c(SCO)}} \right) - 1 \right\rceil \text{ round up to the next highest integer, or 1, whichever is larger}$$

The equation to compute the OTP wait-state in [Table 7-2](#) is as follows:

$$\text{OTP Wait State} = \left\lceil \left( \frac{t_{a(OTP)}}{t_{c(SCO)}} \right) - 1 \right\rceil \text{ round up to the next highest integer, or 1, whichever is larger}$$

## 8 Detailed Description

### 8.1 Overview

#### 8.1.1 CPU

The 2805x (C28x) family is a member of the TMS320C2000™ MCU platform. The C28x-based controllers have the same 32-bit fixed-point architecture as existing C28x MCUs. Each C28x-based controller, including the 2805x device, is a very efficient C/C++ engine, enabling users to develop not only their system control software in a high-level language, but also enabling development of math algorithms using C/C++. The device is as efficient at MCU math tasks as it is at system control tasks. This efficiency removes the need for a second processor in many systems. The 32 × 32-bit MAC 64-bit processing capabilities enable the controller to handle higher numerical resolution problems efficiently. Add to this feature the fast interrupt response with automatic context save of critical registers, resulting in a device that can service many asynchronous events with minimal latency. The device has an 8-level-deep protected pipeline with pipelined memory accesses. This pipelining enables the device to execute at high speeds without resorting to expensive high-speed memories. Special branch-look-ahead hardware minimizes the latency for conditional discontinuities. Special store conditional operations further improve performance.

#### 8.1.2 Control Law Accelerator

The C28x CLA is a single-precision (32-bit) floating-point unit that extends the capabilities of the C28x CPU by adding parallel processing. The CLA is an independent processor with its own bus structure, fetch mechanism, and pipeline. Eight individual CLA tasks, or routines, can be specified. Each task is started by software or a peripheral such as the ADC, ePWM, eCAP, eQEP, or CPU-Timer 0. The CLA executes one task at a time to completion. When a task completes the main CPU is notified by an interrupt to the PIE and the CLA automatically begins the next highest-priority pending task. The CLA can directly access the ADC Result registers, ePWM, eCAP, eQEP, and the Comparator and DAC registers. Dedicated message RAMs provide a method to pass additional data between the main CPU and the CLA.

#### 8.1.3 Memory Bus (Harvard Bus Architecture)

As with many MCU-type devices, multiple buses are used to move data between the memories and peripherals and the CPU. The memory bus architecture contains a program read bus, data read bus, and data write bus. The program read bus consists of 22 address lines and 32 data lines. The data read and write buses consist of 32 address lines and 32 data lines each. The 32-bit-wide data buses enable single cycle 32-bit operations. The multiple bus architecture, commonly termed *Harvard Bus*, enables the C28x to fetch an instruction, read a data value and write a data value in a single cycle. All peripherals and memories attached to the memory bus prioritize memory accesses. Generally, the priority of memory bus accesses can be summarized as follows:

|          |                |  |
|----------|----------------|--|
| Highest: | Data Writes    | (Simultaneous data and program writes cannot occur on the memory bus.)   |
|          | Program Writes | (Simultaneous data and program writes cannot occur on the memory bus.)   |
|          | Data Reads     |  |
|          | Program Reads  | (Simultaneous program reads and fetches cannot occur on the memory bus.) |
| Lowest:  | Fetches        | (Simultaneous program reads and fetches cannot occur on the memory bus.) |

### 8.1.4 Peripheral Bus

To enable migration of peripherals between various Texas Instruments (TI) MCU family of devices, the devices adopt a peripheral bus standard for peripheral interconnect. The peripheral bus bridge multiplexes the various buses that make up the processor Memory Bus into a single bus consisting of 16 address lines and 16 or 32 data lines and associated control signals. Three versions of the peripheral bus are supported. One version supports only 16-bit accesses (called peripheral frame 2). Another version supports both 16- and 32-bit accesses (called peripheral frame 1). The third version supports CLA access and both 16- and 32-bit accesses (called peripheral frame 3).

### 8.1.5 Real-Time JTAG and Analysis

The devices implement the standard IEEE 1149.1 (IEEE Standard 1149.1-1990 Standard Test Access Port and Boundary Scan Architecture) JTAG interface for in-circuit based debug. Additionally, the devices support real-time mode of operation allowing modification of the contents of memory, peripheral, and register locations while the processor is running and executing code and servicing interrupts. The user can also single step through non-time-critical code while enabling time-critical interrupts to be serviced without interference. The device implements the real-time mode in hardware within the CPU. This feature is unique to the 28x family of devices, and requires no software monitor. Additionally, special analysis hardware is provided that allows setting of hardware breakpoint or data/address watch-points and generating various user-selectable break events when a match occurs.

### 8.1.6 Flash

The F28055 and F28054 devices contain 64K × 16 of embedded flash memory, segregated into six 8K × 16 sectors and four 4K × 16 sectors. The F28053, F28052, and F28051 devices contain 32K × 16 of embedded flash memory, segregated into three 8K × 16 sectors and two 4K × 16 sectors. The F28050 device contains 16K × 16 of embedded flash memory, segregated into one 8K × 16 sector and two 4K × 16 sectors. The devices also contain a single 1K × 16 of OTP memory at address range 0x3D 7800 to 0x3D 7BFF. The user can individually erase, program, and validate a flash sector while leaving other sectors untouched. However, it is not possible to use one sector of the flash or the OTP to execute flash algorithms that erase or program other sectors. Special memory pipelining is provided to enable the flash module to achieve higher performance. The flash/OTP is mapped to both program and data space; therefore, the flash/OTP can be used to execute code or store data information.

---

#### Note

The Flash and OTP wait-states can be configured by the application. This feature allows applications running at slower frequencies to configure the flash to use fewer wait-states.

Flash effective performance can be improved by enabling the flash pipeline mode in the Flash options register. With this mode enabled, effective performance of linear code execution will be much faster than the raw performance indicated by the wait-state configuration alone. The exact performance gain when using the flash pipeline mode is application-dependent.

For more information on the flash options, Flash wait-state, and OTP wait-state registers, see the System Control and Interrupts chapter of the [TMS320x2805x Real-Time Microcontrollers Technical Reference Manual](#).

---

### 8.1.7 M0, M1 SARAMs

All devices contain these two blocks of single access memory, each 1K × 16 in size. The stack pointer points to the beginning of block M1 on reset. The M0 and M1 blocks, like all other memory blocks on C28x devices, are mapped to both program and data space. Hence, the user can use M0 and M1 to execute code or for data variables. The partitioning is performed within the linker. The C28x device presents a unified memory map to the programmer, which makes for easier programming in high-level languages.

### 8.1.8 L0 SARAM, and L1, L2, and L3 DPSARAMs

The device contains up to 8K × 16 of single-access RAM. To ascertain the exact size for a given device, see the device-specific memory map figures in [Section 8.2](#). This block is mapped to both program and data space. Block L0 is 2K in size and is dual mapped to both program and data space. Blocks L1 and L2 are both 1K in size, and together with L0, are shared with the CLA which can use these blocks for its data space. Block L3 is 4K in size and is shared with the CLA which can use this block for its program space. DPSARAM refers to the dual-port configuration of these blocks.

### 8.1.9 Boot ROM

The Boot ROM is factory-programmed with boot-loading software. Boot-mode signals are provided to tell the bootloader software what boot mode to use on power up. The user can select to boot normally or to download new software from an external connection or to select boot software that is programmed in the internal flash/ROM. The Boot ROM also contains standard tables, such as SIN/COS waveforms, for use in math-related algorithms. [Table 8-1](#) provides the boot mode selection.

**Table 8-1. Boot Mode Selection**

| MODE | GPIO37/TDO | GPIO34/COMP2OUT/<br>COMP3OUT | TRST | MODE  |
|------|------------|------------------------------|------|---|
| 3    | 1          | 1                            | 0    | GetMode   |
| 2    | 1          | 0                            | 0    | Wait (see <a href="#">Section 8.1.10</a> for description) |
| 1    | 0          | 1                            | 0    | SCI   |
| 0    | 0          | 0                            | 0    | Parallel IO   |
| EMU  | x          | x                            | 1    | Emulation Boot  |

#### 8.1.9.1 Emulation Boot

When the JTAG debug probe is connected, the GPIO37/TDO pin cannot be used for boot mode selection. In this case, the boot ROM detects that a JTAG debug probe is connected and uses the contents of two reserved SARAM locations in the PIE vector table to determine the boot mode. If the content of either location is invalid, then the *Wait* boot option is used. All boot mode options can be accessed in emulation boot.

#### 8.1.9.2 GetMode

The default behavior of the *GetMode* option is to boot to flash. This behavior can be changed to another boot option by programming two locations in the OTP. If the content of either OTP location is invalid, then boot to flash is used. One of the following loaders can be specified: SCI, SPI, I2C, CAN, or OTP.



**Table 8-3. Location of Zone-Select Block Based on Link Pointer (continued)**

| Zx LINK POINTER VALUE                    | ADDRESS OFFSET FOR ZONE-SELECT |
|--|--------------------------------|
| 32'bxx11111111111110xxxxxxxxxxxxxxxxxxxx | 0x120                          |
| 32'bxx11111111111110xxxxxxxxxxxxxxxxxxxx | 0x130                          |
| 32'bxx11111111111110xxxxxxxxxxxxxxxxxxxx | 0x140                          |
| 32'bxx11111111111110xxxxxxxxxxxxxxxxxxxx | 0x150                          |
| 32'bxx11111111111110xxxxxxxxxxxxxxxxxxxx | 0x160                          |
| 32'bxx11111111111110xxxxxxxxxxxxxxxxxxxx | 0x170                          |
| 32'bxx11111111111110xxxxxxxxxxxxxxxxxxxx | 0x180                          |
| 32'bxx11111111111110xxxxxxxxxxxxxxxxxxxx | 0x190                          |
| 32'bxx11111111111110xxxxxxxxxxxxxxxxxxxx | 0x1a0                          |
| 32'bxx11111111111110xxxxxxxxxxxxxxxxxxxx | 0x1b0                          |
| 32'bxx11111111111110xxxxxxxxxxxxxxxxxxxx | 0x1c0                          |
| 32'bxx11111111111110xxxxxxxxxxxxxxxxxxxx | 0x1d0                          |
| 32'bxx11111111111110xxxxxxxxxxxxxxxxxxxx | 0x1e0                          |
| 32'bxx0xxxxxxxxxxxxxxxxxxxxxxxxxxxxxxxx  | 0x1f0                          |

**Table 8-4. Zone-Select Block Organization in USER-OTP**

| 16-BIT ADDRESS OFFSET<br>(WITH RESPECT TO OFFSET OF ZONE-<br>SELECT) | CONTENT        |
|--|----------------|
| 0x0  | Zx-EXEONLYRAM  |
| 0x1  |                |
| 0x2  | Zx-EXEONLYSECT |
| 0x3  |                |
| 0x4  | Zx-GRABRAM     |
| 0x5  |                |
| 0x6  | Zx-GRABSECT    |
| 0x7  |                |
| 0x8  | Zx-CSMPSWD0    |
| 0x9  |                |
| 0xa  | Zx-CSMPSWD1    |
| 0xb  |                |
| 0xc  | Zx-CSMPSWD2    |
| 0xd  |                |
| 0xe  | Zx-CSMPSWD3    |
| 0xf  |                |

The Dual Code Security Module (DCSM) is used to protect the flash/OTP/Lx SARAM blocks/CLA/Secure ROM content. Individual flash sectors and SARAM blocks can be attached to any of the secure zone at start-up time. Secure ROM and the CLA are always attached to Z1. Resources attached to (owned by) one zone do not have any access to code running in the other zone when it is secured. Individual flash sectors, as well as SARAM blocks, can be further protected by enabling the EXEONLY protection. EXEONLY flash sectors or SARAM blocks do not have READ/WRITE access. Only code execution is allowed from such memory blocks.

The security feature prevents unauthorized users from examining memory contents through the JTAG port, executing code from external memory, or trying to boot load an undesirable software that would export the secure memory contents. To enable access to the secure blocks of a particular zone, the user must write a 128-bit value in the CSMKEY registers of the zone; this value must match the values stored in the password locations in USER-OTP. If the 128 bits of the password locations in USER-OTP of a particular zone are all 1s

(unprogrammed), then the security for that zone gets UNLOCKED as soon as a dummy read is done to the password locations in USER-OTP (the value in the CSMKEY register becomes "Don't care" in this case).

In addition to the DCSM, the Emulation Code Security Logic (ECSL) has been implemented for each zone to prevent unauthorized users from stepping through secure code. A halt inside secure code will trip the ECSL and break the emulation connection. To allow emulation of secure code while maintaining DCSM protection against secure memory reads, the user must write the lower 64 bits of the USER-OTP password into the CSMKEY register of the zone to disable the ECSL. Dummy reads of all 128 bits of the password for that particular zone in USER-OTP must still be performed. If the lower 64 bits of the password locations of a particular zone are all zeros, then the ECSL for that zone gets disabled as soon as a dummy read is done to the password locations in USER-OTP (the value in the CSMKEY register becomes "Don't care" in this case).

When power is applied to a secure device that is connected to a JTAG debug probe, the CPU will start executing and may execute an instruction that performs an access to a protected area. If this happens, the ECSL will trip and cause the JTAG circuitry to be deactivated. Under this condition, a host (such as a computer running CCS or flash programming software) would not be able to establish connection with the device. The solution is to use the *Wait* boot option. In this mode, the device loops around a software breakpoint to allow a JTAG debug probe to be connected without tripping security. The user can then exit this mode once the JTAG debug probe is connected by using one of the emulation boot options as described in the Boot ROM chapter of the [TMS320x2805x Real-Time Microcontrollers Technical Reference Manual](#). The 2805x devices do not support hardware wait-in-reset mode.

---

#### Note

If reprogramming of a secure device via JTAG may be needed in future, it is important to design the board in such a way that the device could be put in *Wait* boot mode upon power-up (when reprogramming is warranted). Otherwise, ECSL may deactivate the JTAG circuitry and prevent connection to the device, as mentioned earlier. If reconfiguring the device for *Wait* boot mode in the field is not practical, some mechanism must be implemented in the firmware to detect when a firmware update is warranted. Code could then branch to the desired bootloader in the boot ROM. It could also branch to the *Wait* boot mode, at which point the JTAG debug probe could be connected, device unsecured and programming accomplished through JTAG itself.

---

To prevent reverse-engineering of the code in secure zone, unauthorized users are prevented from looking at the CPU registers in the CCS Expressions Window. The values in the Expressions Window for all of these registers, except for PC and some status bits, display false values when code is running from a secure zone. This feature gets disabled if the zone is unlocked.

---

#### Note

- The USER-OTP contains security-related settings for their respective zone. Execution is not allowed from the USER-OTP; therefore, the user should not keep any code/data in this region.
  - The 128-bit password must not be programmed to zeros. Doing so would permanently lock the device.
  - The user must try not to write into the CPU registers through the debugger watch window when code is running/halted from/inside secure zone. This may corrupt the execution of the actual program.
-

---

### Dual Code Security Module Disclaimer

THE DUAL CODE SECURITY MODULE (DCSM) INCLUDED ON THIS DEVICE WAS DESIGNED TO PASSWORD PROTECT THE DATA STORED IN THE ASSOCIATED MEMORY (EITHER ROM OR FLASH) AND IS WARRANTED BY TEXAS INSTRUMENTS (TI), IN ACCORDANCE WITH ITS STANDARD TERMS AND CONDITIONS, TO CONFORM TO TI'S PUBLISHED SPECIFICATIONS FOR THE WARRANTY PERIOD APPLICABLE FOR THIS DEVICE.

TI DOES NOT, HOWEVER, WARRANT OR REPRESENT THAT THE DCSM CANNOT BE COMPROMISED OR BREACHED OR THAT THE DATA STORED IN THE ASSOCIATED MEMORY CANNOT BE ACCESSED THROUGH OTHER MEANS. MOREOVER, EXCEPT AS SET FORTH ABOVE, TI MAKES NO WARRANTIES OR REPRESENTATIONS CONCERNING THE DCSM OR OPERATION OF THIS DEVICE, INCLUDING ANY IMPLIED WARRANTIES OF MERCHANTABILITY OR FITNESS FOR A PARTICULAR PURPOSE.

IN NO EVENT SHALL TI BE LIABLE FOR ANY CONSEQUENTIAL, SPECIAL, INDIRECT, INCIDENTAL, OR PUNITIVE DAMAGES, HOWEVER CAUSED, ARISING IN ANY WAY OUT OF YOUR USE OF THE DCSM OR THIS DEVICE, WHETHER OR NOT TI HAS BEEN ADVISED OF THE POSSIBILITY OF SUCH DAMAGES. EXCLUDED DAMAGES INCLUDE, BUT ARE NOT LIMITED TO LOSS OF DATA, LOSS OF GOODWILL, LOSS OF USE OR INTERRUPTION OF BUSINESS OR OTHER ECONOMIC LOSS.

---

#### 8.1.11 Peripheral Interrupt Expansion Block

The PIE block serves to multiplex numerous interrupt sources into a smaller set of interrupt inputs. The PIE block can support up to 96 peripheral interrupts. On the F2805x devices, 54 of the possible 96 interrupts are used by peripherals. The 96 interrupts are grouped into blocks of 8 and each group is fed into 1 of 12 CPU interrupt lines (INT1 to INT12). Each of the 96 interrupts is supported by its own vector stored in a dedicated RAM block that can be overwritten by the user. The vector is automatically fetched by the CPU on servicing the interrupt. Eight CPU clock cycles are needed to fetch the vector and save critical CPU registers. Hence the CPU can quickly respond to interrupt events. Prioritization of interrupts is controlled in hardware and software. Each individual interrupt can be enabled or disabled within the PIE block.

### 8.1.12 External Interrupts (XINT1 to XINT3)

The devices support three masked external interrupts (XINT1 to XINT3). Each of the interrupts can be selected for negative, positive, or both negative and positive edge triggering and can also be enabled or disabled. These interrupts also contain a 16-bit free running up counter, which is reset to zero when a valid interrupt edge is detected. This counter can be used to accurately time-stamp the interrupt. There are no dedicated pins for the external interrupts. XINT1, XINT2, and XINT3 interrupts can accept inputs from the GPIO0 to GPIO31 pins.

### 8.1.13 Internal Zero-Pin Oscillators, Oscillator, and PLL

The device can be clocked by either of the two internal zero-pin oscillators, an external oscillator, or by a crystal attached to the on-chip oscillator circuit. A PLL is provided supporting up to 12 input-clock-scaling ratios. The PLL ratios can be changed on-the-fly in software, enabling the user to scale back on operating frequency if lower power operation is desired. See [Section 7.13](#) for timing details. The PLL block can be set in bypass mode.

### 8.1.14 Watchdog

Each device contains two watchdogs: CPU-watchdog that monitors the core and NMI-watchdog that is a missing clock-detect circuit. The user software must regularly reset the CPU-watchdog counter within a certain time frame; otherwise, the CPU-watchdog generates a reset to the processor. The CPU-watchdog can be disabled if necessary. The NMI-watchdog engages only in case of a clock failure and can either generate an interrupt or a device reset.

### 8.1.15 Peripheral Clocking

The clocks to each individual peripheral can be enabled or disabled to reduce power consumption when a peripheral is not in use. Additionally, the system clock to the serial ports (except I2C) can be scaled relative to the CPU clock.

### 8.1.16 Low-power Modes

The devices are full-static CMOS devices. Three low-power modes are provided:

- IDLE:** Place CPU in low-power mode. Peripheral clocks may be turned off selectively and only those peripherals that must function during IDLE are left operating. An enabled interrupt from an active peripheral or the watchdog timer will wake the processor from IDLE mode.
- STANDBY:** Turns off clock to CPU and peripherals. This mode leaves the oscillator and PLL functional. An external interrupt event will wake the processor and the peripherals. Execution begins on the next valid cycle after detection of the interrupt event
- HALT:** This mode basically shuts down the device and places the device in the lowest possible power consumption mode. If the internal zero-pin oscillators are used as the clock source, the HALT mode turns them off, by default. To keep these oscillators from shutting down, the INTOSCnHALTI bits in CLKCTL register may be used. The zero-pin oscillators may thus be used to clock the CPU-watchdog in this mode. If the on-chip crystal oscillator is used as the clock source, the crystal oscillator is shut down in this mode. A reset or an external signal (through a GPIO pin) or the CPU-watchdog can wake the device from this mode.

The CPU clock (OSCCLK) and WDCLK should be from the same clock source before trying to put the device into HALT or STANDBY.

### 8.1.17 Peripheral Frames 0, 1, 2, 3 (PFn)

The device segregates peripherals into four sections. The mapping of peripherals is as follows:

|      |         |  |
|------|---------|--|
| PF0: | PIE:    | PIE Interrupt Enable and Control Registers Plus PIE Vector Table |
|      | Flash:  | Flash Waitstate Registers  |
|      | Timers: | CPU-Timers 0, 1, 2 Registers                                     |
|      | DCSM:   | Dual Zone Security Module Registers                              |
|      | ADC:    | ADC Result Registers   |
|      | CLA     | CLA Registers and Message RAMs                                   |
| PF1: | GPIO:   | GPIO MUX Configuration and Control Registers                     |
|      | eCAN:   | eCAN Configuration and Control Registers                         |
|      | eCAP:   | eCAP Module and Registers  |
|      | eQEP:   | eQEP Module and Registers  |
| PF2: | SYS:    | System Control Registers   |
|      | SCI:    | SCI Control and RX/TX Registers                                  |
|      | SPI:    | SPI Control and RX/TX Registers                                  |
|      | ADC:    | ADC Status, Control, and Configuration Registers                 |
|      | I2C:    | I2C Module and Registers   |
|      | XINT:   | External Interrupt Registers                                     |
| PF3: | ePWM:   | ePWM Module and Registers  |
|      | AFE:    | Comparator Modules, Digital Filters, and PGA Control Registers   |
|      | eCAP:   | eCAP Module and Registers  |
|      | eQEP:   | eQEP Module and Registers  |
|      | ADC:    | ADC Status, Control, and Configuration Registers                 |
|      | ADC:    | ADC Result Registers   |
|      | DAC:    | DAC Control Registers  |

### 8.1.18 General-Purpose Input/Output Multiplexer

Most of the peripheral signals are multiplexed with GPIO signals. This muxing enables the user to use a pin as GPIO if the peripheral signal or function is not used. On reset, GPIO pins are configured as inputs. The user can individually program each pin for GPIO mode or peripheral signal mode. For specific inputs, the user can also select the number of input qualification cycles. This selection is to filter unwanted noise glitches. The GPIO signals can also be used to bring the device out of specific low-power modes.

### 8.1.19 32-Bit CPU-Timers (0, 1, 2)

CPU-Timers 0, 1, and 2 are identical 32-bit timers with presetable periods and with 16-bit clock prescaling. The timers have a 32-bit count-down register, which generates an interrupt when the counter reaches zero. The counter is decremented at the CPU clock speed divided by the prescale value setting. When the counter reaches zero, the counter is automatically reloaded with a 32-bit period value.

CPU-Timer 0 is for general use and is connected to the PIE block. CPU-Timer 1 is also for general use and can be connected to INT13 of the CPU. CPU-Timer 2 is reserved for DSP/BIOS™. CPU-Timer 2 is connected to INT14 of the CPU. If DSP/BIOS is not being used, CPU-Timer 2 is available for general use.

CPU-Timer 2 can be clocked by any one of the following:

- SYSCLKOUT (default)
- Internal zero-pin oscillator 1 (INTOSC1)
- Internal zero-pin oscillator 2 (INTSOC2)
- External clock source

### 8.1.20 Control Peripherals

The devices support the following peripherals that are used for embedded control and communication:

|   |  |
|---|--|
| ePWM:                                     | The ePWM peripheral supports independent/complementary PWM generation, adjustable dead-band generation for leading/trailing edges, latched/cycle-by-cycle trip mechanism. The type 1 module found on 2805x devices also supports increased dead-band resolution, enhanced SOC and interrupt generation, and advanced triggering including trip functions based on comparator outputs.  |
| eCAP:                                     | The eCAP peripheral uses a 32-bit time base and registers up to four programmable events in continuous/one-shot capture modes. This peripheral can also be configured to generate an auxiliary PWM signal.   |
| eQEP:                                     | The eQEP peripheral uses a 32-bit position counter, supports low-speed measurement using capture unit and high-speed measurement using a 32-bit unit timer. This peripheral has a watchdog timer to detect motor stall and input error detection logic to identify simultaneous edge transition in QEP signals.  |
| ADC:                                      | The ADC block is a 12-bit converter. The ADC has up to 16 single-ended channels pinned out, depending on the device. The ADC also contains two sample-and-hold units for simultaneous sampling. Some ADC channels also have PGAs, which can amplify the input signal by 3, 6, or 11.   |
| Comparator and Digital Filter Subsystems: | Each comparator block consists of one analog comparator along with an internal 6-bit reference for supplying one input of the comparator. The comparator output signal filtering is achieved using the digital filter present on each input line and qualifies the output of the COMP/DAC subsystem. The filtered or unfiltered output of the COMP/DAC subsystem can be configured to be an input to the Digital Compare submodule of the ePWM peripheral. There is also a configurable option to bring the output of the COMP/DAC subsystem onto the GPIOs. |

### 8.1.21 Serial Port Peripherals

The devices support the following serial communication peripherals:

- SPI:** The SPI is a high-speed, synchronous serial I/O port that allows a serial bit stream of programmed length (1 to 16 bits) to be shifted into and out of the device at a programmable bit-transfer rate. Normally, the SPI is used for communications between the MCU and external peripherals or another processor. Typical applications include external I/O or peripheral expansion through devices such as shift registers, display drivers, and ADCs. Multi-device communications are supported by the master/slave operation of the SPI. The SPI contains a 4-level receive and transmit FIFO for reducing interrupt servicing overhead.
- SCI:** The SCI is a 2-wire asynchronous serial port, commonly known as UART. The SCI contains a 4-level receive and transmit FIFO for reducing interrupt servicing overhead.
- I2C:** The I2C module provides an interface between an MCU and other devices compliant with Philips Semiconductors Inter-IC bus (I<sup>2</sup>C-bus) specification version 2.1 and connected by way of an I<sup>2</sup>C-bus. External components attached to this 2-wire serial bus can transmit and receive up to 8-bit data to and from the MCU through the I2C module. The I2C contains a 4-level receive and transmit FIFO for reducing interrupt servicing overhead.
- eCAN:** The eCAN is the enhanced version of the CAN peripheral. The eCAN supports 32 mailboxes, time-stamping of messages, and is compliant with ISO 11898-1 (CAN 2.0B).

## 8.2 Memory Maps

In [Figure 8-1](#), [Figure 8-2](#), [Figure 8-3](#), and [Figure 8-4](#), the following apply:

- Memory blocks are not to scale.
- Peripheral Frame 0, Peripheral Frame 1, Peripheral Frame 2, and Peripheral Frame 3 memory maps are restricted to data memory only. A user program cannot access these memory maps in program space.
- *Protected* means the order of Write-followed-by-Read operations is preserved rather than the pipeline order.
- Certain memory ranges are EALLOW protected against spurious writes after configuration.

|                        | Data Space  | Prog Space |
|------------------------|---|------------|
| 0x00 0000              | <i>M0 Vector RAM (Enabled if VMAP = 0)</i>  |            |
| 0x00 0040              | M0 SARAM (1K × 16, 0-Wait)  |            |
| 0x00 0400              | M1 SARAM (1K × 16, 0-Wait)  |            |
| 0x00 0800              | Peripheral Frame 0  | Reserved   |
| 0x00 0D00              | PIE Vector - RAM<br>(256 × 16)<br>(Enabled if<br>VMAP = 1,<br>ENPIE = 1)                              |            |
| 0x00 0E00              | Peripheral Frame 0  |            |
| 0x00 1400              | CLA Registers   |            |
| 0x00 1480              | CLA-to-CPU Message RAM  |            |
| 0x00 1500              | CPU-to-CLA Message RAM  |            |
| 0x00 1580              | Peripheral Frame 0  |            |
| 0x00 2000              | Reserved  |            |
| 0x00 6000              | Peripheral Frame 1<br>(1K × 16, Protected)  | Reserved   |
| 0x00 6400              | Peripheral Frame 3<br>(1.5K × 16, Protected)  |            |
| 0x00 6A00              | Peripheral Frame 1<br>(1.5K × 16, Protected)  |            |
| 0x00 7000              | Peripheral Frame 2<br>(4K × 16, Protected)  |            |
| 0x00 8000              | L0 DPSARAM (2K × 16)<br>(0-Wait, Z1 or Z2 Secure Zone, CLA Data RAM 2)                                |            |
| 0x00 8800              | L1 DPSARAM (1K × 16)<br>(0-Wait, Z1 or Z2 Secure Zone, CLA Data RAM 0)                                |            |
| 0x00 8C00              | L2 DPSARAM (1K × 16)<br>(0-Wait, Z1 or Z2 Secure Zone, CLA Data RAM 1)                                |            |
| 0x00 9000              | L3 DPSARAM (4K × 16)<br>(0-Wait, Z1 or Z2 Secure Zone, CLA Prog RAM)                                  |            |
| 0x00 A000              | Reserved  |            |
| 0x00 F000              | CLA Data ROM (4K × 16)  |            |
| 0x01 0000              | Reserved  |            |
| 0x3D 7800              | User OTP, Zone 2 Passwords (512 × 16)   |            |
| 0x3D 7A00              | User OTP, Zone 1 Passwords (512 × 16)   |            |
| 0x3D 7C00              | Reserved  |            |
| 0x3D 7E00              | Calibration Data  |            |
| 0x3D 7FCB              | Configuration Data  |            |
| 0x3D 7FF0              | Reserved  |            |
| 0x3E 8000              | FLASH<br>(64K × 16, 10 Sectors, Dual Secure Zone)<br>(Z1/Z2 User-Selectable Security Zone Per Sector) |            |
| 0x3F 7FFF<br>0x3F 8000 | Zone 1 Secure Copy Code ROM<br>(1K × 16)  |            |
| 0x3F 8400              | Zone 2 Secure Copy Code ROM<br>(1K × 16)  |            |
| 0x3F 8800              | Reserved  |            |
| 0x3F D000              | Boot ROM (12K × 16, 0-Wait)   |            |
| 0x3F FFC0              | Vector (32 Vectors, Enabled if VMAP = 1)  |            |

A. CLA-specific registers and RAM apply to the 28055 device only.

**Figure 8-1. 28055 and 28054 Memory Map**

|                        | Data Space   | Prog Space |
|------------------------|--|------------|
| 0x00 0000              | <i>M0 Vector RAM (Enabled if VMAP = 0)</i>   |            |
| 0x00 0040              | M0 SARAM (1K × 16, 0-Wait)   |            |
| 0x00 0400              | M1 SARAM (1K × 16, 0-Wait)   |            |
| 0x00 0800              | Peripheral Frame 0   | Reserved   |
| 0x00 0D00              | PIE Vector - RAM<br>(256 × 16)<br>(Enabled if<br>VMAP = 1,<br>ENPIE = 1)                             |            |
| 0x00 0E00              | Peripheral Frame 0   |            |
| 0x00 1400              | CLA Registers  |            |
| 0x00 1480              | CLA-to-CPU Message RAM   |            |
| 0x00 1500              | CPU-to-CLA Message RAM   |            |
| 0x00 1580              | Peripheral Frame 0   |            |
| 0x00 2000              | Reserved   |            |
| 0x00 6000              | Peripheral Frame 1<br>(1K × 16, Protected)   | Reserved   |
| 0x00 6400              | Peripheral Frame 3<br>(1.5K × 16, Protected)   |            |
| 0x00 6A00              | Peripheral Frame 1<br>(1.5K × 16, Protected)   |            |
| 0x00 7000              | Peripheral Frame 2<br>(4K × 16, Protected)   |            |
| 0x00 8000              | L0 DPSARAM (2K × 16)<br>(0-Wait, Z1 or Z2 Secure Zone, CLA Data RAM 2)                               |            |
| 0x00 8800              | L1 DPSARAM (1K × 16)<br>(0-Wait, Z1 or Z2 Secure Zone, CLA Data RAM 0)                               |            |
| 0x00 8C00              | L2 DPSARAM (1K × 16)<br>(0-Wait, Z1 or Z2 Secure Zone, CLA Data RAM 1)                               |            |
| 0x00 9000              | L3 DPSARAM (4K × 16)<br>(0-Wait, Z1 or Z2 Secure Zone, CLA Prog RAM)                                 |            |
| 0x00 A000              | Reserved   |            |
| 0x00 F000              | CLA Data ROM (4K × 16)   |            |
| 0x01 0000              | Reserved   |            |
| 0x3D 7800              | User OTP, Zone 2 Passwords (512 × 16)  |            |
| 0x3D 7A00              | User OTP, Zone 1 Passwords (512 × 16)  |            |
| 0x3D 7C00              | Reserved   |            |
| 0x3D 7E00              | Calibration Data   |            |
| 0x3D 7FCB              | Configuration Data   |            |
| 0x3D 7FF0              | Reserved   |            |
| 0x3F 0000              | FLASH<br>(32K × 16, 5 Sectors, Dual Secure Zone)<br>(Z1/Z2 User-Selectable Security Zone Per Sector) |            |
| 0x3F 7FFF<br>0x3F 8000 | Zone 1 Secure Copy Code ROM<br>(1K × 16)   |            |
| 0x3F 8400              | Zone 2 Secure Copy Code ROM<br>(1K × 16)   |            |
| 0x3F 8800              | Reserved   |            |
| 0x3F D000              | Boot ROM (12K × 16, 0-Wait)  |            |
| 0x3F FFC0              | <i>Vector (32 Vectors, Enabled if VMAP = 1)</i>  |            |

A. CLA-specific registers and RAM apply to the 28053 device only.

**Figure 8-2. 28053 and 28052 Memory Map**

|                        | Data Space   | Prog Space |
|------------------------|--|------------|
| 0x00 0000              | <i>M0 Vector RAM (Enabled if VMAP = 0)</i>   |            |
| 0x00 0040              | M0 SARAM (1K × 16, 0-Wait)   |            |
| 0x00 0400              | M1 SARAM (1K × 16, 0-Wait)   |            |
| 0x00 0800              | Peripheral Frame 0   | Reserved   |
| 0x00 0D00              | PIE Vector - RAM<br>(256 × 16)<br>(Enabled if<br>VMAP = 1,<br>ENPIE = 1)                             |            |
| 0x00 0E00              | Peripheral Frame 0   |            |
| 0x00 1400              | CLA Registers  |            |
| 0x00 1480              | CLA-to-CPU Message RAM   |            |
| 0x00 1500              | CPU-to-CLA Message RAM   |            |
| 0x00 1580              | Peripheral Frame 0   |            |
| 0x00 2000              | Reserved   |            |
| 0x00 6000              | Peripheral Frame 1<br>(1K × 16, Protected)   | Reserved   |
| 0x00 6400              | Peripheral Frame 3<br>(1.5K × 16, Protected)   |            |
| 0x00 6A00              | Peripheral Frame 1<br>(1.5K × 16, Protected)   |            |
| 0x00 7000              | Peripheral Frame 2<br>(4K × 16, Protected)   |            |
| 0x00 8000              | Reserved   |            |
| 0x00 8800              | L1 DPSARAM (1K × 16)<br>(0-Wait, Z1 or Z2 Secure Zone, CLA Data RAM 0)                               |            |
| 0x00 8C00              | L2 DPSARAM (1K × 16)<br>(0-Wait, Z1 or Z2 Secure Zone, CLA Data RAM 1)                               |            |
| 0x00 9000              | L3 DPSARAM (4K × 16)<br>(0-Wait, Z1 or Z2 Secure Zone, CLA Prog RAM)                                 |            |
| 0x00 A000              | Reserved   |            |
| 0x00 F000              | CLA Data ROM (4K × 16)   |            |
| 0x01 0000              | Reserved   |            |
| 0x3D 7800              | User OTP, Zone 2 Passwords (512 × 16)  |            |
| 0x3D 7A00              | User OTP, Zone 1 Passwords (512 × 16)  |            |
| 0x3D 7C00              | Reserved   |            |
| 0x3D 7E00              | Calibration Data   |            |
| 0x3D 7FCB              | Configuration Data   |            |
| 0x3D 7FF0              | Reserved   |            |
| 0x3F 0000              | FLASH<br>(32K × 16, 5 Sectors, Dual Secure Zone)<br>(Z1/Z2 User-Selectable Security Zone Per Sector) |            |
| 0x3F 7FFF<br>0x3F 8000 | Zone 1 Secure Copy Code ROM<br>(1K × 16)   |            |
| 0x3F 8400              | Zone 2 Secure Copy Code ROM<br>(1K × 16)   |            |
| 0x3F 8800              | Reserved   |            |
| 0x3F D000              | Boot ROM (12K × 16, 0-Wait)  |            |
| 0x3F FFC0              | <i>Vector (32 Vectors, Enabled if VMAP = 1)</i>  |            |

**Figure 8-3. 28051 Memory Map**

|                        | Data Space   | Prog Space |
|------------------------|--|------------|
| 0x00 0000              | <i>M0 Vector RAM (Enabled if VMAP = 0)</i>   |            |
| 0x00 0040              | M0 SARAM (1K × 16, 0-Wait)   |            |
| 0x00 0400              | M1 SARAM (1K × 16, 0-Wait)   |            |
| 0x00 0800              | Peripheral Frame 0   | Reserved   |
| 0x00 0D00              | PIE Vector - RAM<br>(256 × 16)<br>(Enabled if<br>VMAP = 1,<br>ENPIE = 1)                             |            |
| 0x00 0E00              | Peripheral Frame 0   |            |
| 0x00 1400              | Reserved   |            |
| 0x00 1580              | Peripheral Frame 0   |            |
| 0x00 2000              | Reserved   |            |
| 0x00 6000              | Peripheral Frame 1<br>(1K × 16, Protected)   | Reserved   |
| 0x00 6400              | Peripheral Frame 3<br>(1.5K × 16, Protected)   |            |
| 0x00 6A00              | Peripheral Frame 1<br>(1.5K × 16, Protected)   |            |
| 0x00 7000              | Peripheral Frame 2<br>(4K × 16, Protected)   |            |
| 0x00 8000              | L0 DPSARAM (2K × 16)<br>(0-Wait, Z1 or Z2 Secure Zone)   |            |
| 0x00 8800              | L1 DPSARAM (1K × 16)<br>(0-Wait, Z1 or Z2 Secure Zone)   |            |
| 0x00 8C00              | L2 DPSARAM (1K × 16)<br>(0-Wait, Z1 or Z2 Secure Zone)   |            |
| 0x00 9000              | Reserved   |            |
| 0x00 A000              | Reserved   |            |
| 0x00 F000              | Reserved   |            |
| 0x01 0000              | Reserved   |            |
| 0x3D 7800              | User OTP, Zone 2 Passwords (512 × 16)  |            |
| 0x3D 7A00              | User OTP, Zone 1 Passwords (512 × 16)  |            |
| 0x3D 7C00              | Reserved   |            |
| 0x3D 7E00              | Calibration Data   |            |
| 0x3D 7FCB              | Configuration Data   |            |
| 0x3D 7FF0              | Reserved   |            |
| 0x3F 4000              | FLASH<br>(16K × 16, 3 Sectors, Dual Secure Zone)<br>(Z1/Z2 User-Selectable Security Zone Per Sector) |            |
| 0x3F 7FFF<br>0x3F 8000 | Zone 1 Secure Copy Code ROM<br>(1K × 16)   |            |
| 0x3F 8400              | Zone 2 Secure Copy Code ROM<br>(1K × 16)   |            |
| 0x3F 8800              | Reserved   |            |
| 0x3F D000              | Boot ROM (12K × 16, 0-Wait)  |            |
| 0x3F FFC0              | <i>Vector (32 Vectors, Enabled if VMAP = 1)</i>  |            |

**Figure 8-4. 28050 Memory Map**

Table 8-5, Table 8-6, and Table 8-7 list the addresses of flash sectors on the TMS320F2805x devices.

**Table 8-5. Addresses of Flash Sectors in F28055 and F28054**

| ADDRESS RANGE          | PROGRAM AND DATA SPACE |
|------------------------|------------------------|
| 0x3E 8000 to 0x3E 8FFF | Sector J (4K × 16)     |
| 0x3E 9000 to 0x3E 9FFF | Sector I (4K × 16)     |
| 0x3E A000 to 0x3E BFFF | Sector H (8K × 16)     |
| 0x3E C000 to 0x3E DFFF | Sector G (8K × 16)     |
| 0x3E E000 to 0x3E FFFF | Sector F (8K × 16)     |
| 0x3F 0000 to 0x3F 1FFF | Sector E (8K × 16)     |
| 0x3F 2000 to 0x3F 3FFF | Sector D (8K × 16)     |
| 0x3F 4000 to 0x3F 5FFF | Sector C (8K × 16)     |
| 0x3F 6000 to 0x3F 6FFF | Sector B (4K × 16)     |
| 0x3F 7000 to 0x3F 7FFF | Sector A (4K × 16)     |

**Table 8-6. Addresses of Flash Sectors in F28053, F28052, and F28051**

| ADDRESS RANGE          | PROGRAM AND DATA SPACE |
|------------------------|------------------------|
| 0x3F 0000 to 0x3F 1FFF | Sector E (8K × 16)     |
| 0x3F 2000 to 0x3F 3FFF | Sector D (8K × 16)     |
| 0x3F 4000 to 0x3F 5FFF | Sector C (8K × 16)     |
| 0x3F 6000 to 0x3F 6FFF | Sector B (4K × 16)     |
| 0x3F 7000 to 0x3F 7FFF | Sector A (4K × 16)     |

**Table 8-7. Addresses of Flash Sectors in F28050**

| ADDRESS RANGE          | PROGRAM AND DATA SPACE |
|------------------------|------------------------|
| 0x3F 4000 to 0x3F 5FFF | Sector C (8K × 16)     |
| 0x3F 6000 to 0x3F 6FFF | Sector B (4K × 16)     |
| 0x3F 7000 to 0x3F 7FFF | Sector A (4K × 16)     |

Peripheral Frame 1, Peripheral Frame 2, and Peripheral Frame 3 are grouped together to enable these blocks to be write/read peripheral block protected. The protected mode makes sure that all accesses to these blocks happen as written. Because of the pipeline, a write immediately followed by a read to different memory locations will appear in reverse order on the memory bus of the CPU. This action can cause problems in certain peripheral applications where the user expected the write to occur first (as written). The CPU supports a block protection mode where a region of memory can be protected so that operations occur as written (the penalty is extra cycles are added to align the operations). This mode is programmable, and by default, it protects the selected zones.

The wait-states for the various spaces in the memory map area are listed in [Table 8-8](#).

**Table 8-8. Wait-States**

| AREA               | WAIT-STATES (CPU)  | COMMENTS   |
|--------------------|--|--|
| M0 and M1 SARAMs   | 0-wait   | Fixed  |
| Peripheral Frame 0 | 0-wait   |  |
| Peripheral Frame 1 | 0-wait (writes)<br>2-wait (reads)  | Cycles can be extended by peripheral generated ready.<br>Back-to-back write operations to Peripheral Frame 1 registers will incur a 1-cycle stall (1-cycle delay). |
| Peripheral Frame 2 | 0-wait (writes)<br>2-wait (reads)  | Fixed. Cycles cannot be extended by the peripheral.  |
| Peripheral Frame 3 | 0-wait (writes)<br>2-wait (reads)  | Assumes no conflict between CPU and CLA.<br>Cycles can be extended by peripheral-generated ready.  |
| L0 SARAM           | 0-wait data and program  | Assumes no CPU conflicts   |
| L1 SARAM           | 0-wait data and program  | Assumes no CPU conflicts   |
| L2 SARAM           | 0-wait data and program  | Assumes no CPU conflicts   |
| L3 SARAM           | 0-wait data and program  | Assumes no CPU conflicts   |
| OTP                | Programmable<br>1-wait minimum   | Programmed through the Flash registers.<br>1-wait is minimum number of wait states allowed.  |
| Flash              | Programmable<br>0-wait Paged min<br>1-wait Random min<br>Random $\geq$ Paged | Programmed through the Flash registers.  |
| Flash Password     | 16-wait fixed  | Wait states of password locations are fixed.   |
| Boot-ROM           | 0-wait   |  |
| Secure ROM         | 0-wait   |  |

### 8.3 Register Map

The devices contain four peripheral register spaces. The spaces are categorized as follows:

- Peripheral Frame 0: These are peripherals that are mapped directly to the CPU memory bus. See [Table 8-9](#).
- Peripheral Frame 1: These are peripherals that are mapped to the 32-bit peripheral bus. See [Table 8-10](#).
- Peripheral Frame 2: These are peripherals that are mapped to the 16-bit peripheral bus. See [Table 8-11](#).
- Peripheral Frame 3: These are peripherals that are mapped to CLA in addition to their respective Peripheral Frame. See [Table 8-12](#).

**Table 8-9. Peripheral Frame 0 Registers**

| NAME <sup>(1)</sup>                             | ADDRESS RANGE          | SIZE (×16) | EALLOW PROTECTED <sup>(2)</sup> |
|---|------------------------|------------|---------------------------------|
| Device Emulation Registers                      | 0x00 0880 to 0x00 0984 | 261        | Yes                             |
| System Power Control Registers                  | 0x00 0985 to 0x00 0987 | 3          | Yes                             |
| FLASH Registers <sup>(3)</sup>                  | 0x00 0A80 to 0x00 0ADF | 96         | Yes                             |
| ADC registers (0 wait read only)                | 0x00 0B00 to 0x00 0B0F | 16         | No                              |
| DCSM Zone 1 Registers                           | 0x00 0B80 to 0x00 0BBF | 64         | Yes                             |
| DCSM Zone 2 Registers                           | 0x00 0BC0 to 0x00 0BEF | 48         | Yes                             |
| CPU-Timer 0, CPU-Timer 1, CPU-Timer 2 Registers | 0x00 0C00 to 0x00 0C3F | 64         | No                              |
| PIE Registers                                   | 0x00 0CE0 to 0x00 0CFF | 32         | No                              |
| PIE Vector Table                                | 0x00 0D00 to 0x00 0DFF | 256        | No                              |
| CLA Registers                                   | 0x00 1400 to 0x00 147F | 128        | Yes                             |
| CLA to CPU Message RAM (CPU writes ignored)     | 0x00 1480 to 0x00 14FF | 128        | NA                              |
| CPU to CLA Message RAM (CLA writes ignored)     | 0x00 1500 to 0x00 157F | 128        | NA                              |

- (1) Registers in Frame 0 support 16-bit and 32-bit accesses.
- (2) If registers are EALLOW protected, then writes cannot be performed until the EALLOW instruction is executed. The EDIS instruction disables writes to prevent stray code or pointers from corrupting register contents.
- (3) The Flash Registers are also protected by the Dual Code Security Module.

**Table 8-10. Peripheral Frame 1 Registers**

| NAME             | ADDRESS RANGE          | SIZE (×16) | EALLOW PROTECTED |
|------------------|------------------------|------------|------------------|
| eCAN-A Registers | 0x00 6000 to 0x00 61FF | 512        | (1)              |
| eCAP1 Registers  | 0x00 6A00 to 0x00 6A1F | 32         | No               |
| eQEP1 Registers  | 0x00 6B00 to 0x00 6B3F | 64         | (1)              |
| GPIO Registers   | 0x00 6F80 to 0x00 6FFF | 128        | (1)              |

- (1) Some registers are EALLOW protected. See the module reference guide for more information.

**Table 8-11. Peripheral Frame 2 Registers**

| NAME                             | ADDRESS RANGE          | SIZE (×16) | EALLOW PROTECTED |
|----------------------------------|------------------------|------------|------------------|
| System Control Registers         | 0x00 7010 to 0x00 702F | 32         | Yes              |
| SPI-A Registers                  | 0x00 7040 to 0x00 704F | 16         | No               |
| SCI-A Registers                  | 0x00 7050 to 0x00 705F | 16         | No               |
| SCI-B Registers                  | 0x00 7750 to 0x00 775F | 16         | No               |
| SCI-C Registers                  | 0x00 7770 to 0x00 777F | 16         | No               |
| NMI Watchdog Interrupt Registers | 0x00 7060 to 0x00 706F | 16         | Yes              |
| External Interrupt Registers     | 0x00 7070 to 0x00 707F | 16         | Yes              |
| ADC Registers                    | 0x00 7100 to 0x00 717F | 128        | (1)              |
| I2C-A Registers                  | 0x00 7900 to 0x00 793F | 64         | (1)              |

(1) Some registers are EALLOW protected. See the module reference guide for more information.

**Table 8-12. Peripheral Frame 3 Registers**

| NAME  | ADDRESS RANGE          | SIZE (×16) | EALLOW PROTECTED |
|---|------------------------|------------|------------------|
| ADC registers (0 wait read only)                  | 0x00 0B00 to 0x00 0B0F | 16         | No               |
| DAC Control Registers                             | 0x00 6400 to 0x00 640F | 16         | Yes              |
| DAC, PGA, Comparator, and Filter Enable Registers | 0x00 6410 to 0x00 641F | 16         | Yes              |
| SWITCH Registers                                  | 0x00 6420 to 0x00 642F | 16         | Yes              |
| Digital Filter and Comparator Control Registers   | 0x00 6430 to 0x00 647F | 80         | Yes              |
| LOCK Registers                                    | 0x00 64F0 to 0x00 64FF | 16         | Yes              |
| ePWM1 registers                                   | 0x00 6800 to 0x00 683F | 64         | (1)              |
| ePWM2 registers                                   | 0x00 6840 to 0x00 687F | 64         | (1)              |
| ePWM3 registers                                   | 0x00 6880 to 0x00 68BF | 64         | (1)              |
| ePWM4 registers                                   | 0x00 68C0 to 0x00 68FF | 64         | (1)              |
| ePWM5 registers                                   | 0x00 6900 to 0x00 693F | 64         | (1)              |
| ePWM6 registers                                   | 0x00 6940 to 0x00 697F | 64         | (1)              |
| ePWM7 registers                                   | 0x00 6980 to 0x00 69BF | 64         | (1)              |
| eCAP1 Registers                                   | 0x00 6A00 to 0x00 6A1F | 32         | No               |
| eQEP1 Registers                                   | 0x00 6B00 to 0x00 6B3F | 64         | (1)              |

(1) Some registers are EALLOW protected. See the module reference guide for more information.

## 8.4 Device Emulation Registers

These registers are used to control the protection mode of the C28x CPU and to monitor some critical device signals. [Table 8-13](#) defines the registers.

**Table 8-13. Device Emulation Registers**

| NAME                 | ADDRESS RANGE    | SIZE (x16) | DESCRIPTION   | EALLOW PROTECTED |
|----------------------|------------------|------------|---|------------------|
| DEVICECNF            | 0x0880 to 0x0881 | 2          | Device Configuration Register   | Yes              |
| PARTID               | 0x0882           | 1          | PARTID Register<br>TMS320F28055      0x0105<br>TMS320F28054      0x0104<br>TMS320F28054M    0x0184<br>TMS320F28054F    0x0144<br>TMS320F28053      0x0103<br>TMS320F28052      0x0102<br>TMS320F28052M    0x0182<br>TMS320F28052F    0x0142<br>TMS320F28051      0x0101<br>TMS320F28050      0x0100 | No               |
| REVID <sup>(1)</sup> | 0x0883           | 1          | Revision ID Register<br>0x0000 - Silicon Rev. 0 - TMX<br>0x0000 - Silicon Rev. A - TMS  | No               |
| DC1                  | 0x0886 to 0x0887 | 2          | Device Capability Register 1.<br>The Device Capability Register is predefined by the part and can be used to verify features. If any bit is 0 in this register, the module is not present. See <a href="#">Table 8-14</a> .   | Yes              |
| DC2                  | 0x0888 to 0x0889 | 2          | Device Capability Register 2.<br>The Device Capability Register is predefined by the part and can be used to verify features. If any bit is 0 in this register, the module is not present. See <a href="#">Table 8-15</a> .   | Yes              |
| DC3                  | 0x088A to 0x088B | 2          | Device Capability Register 3.<br>The Device Capability Register is predefined by the part and can be used to verify features. If any bit is 0 in this register, the module is not present. See <a href="#">Table 8-16</a> .   | Yes              |

(1) Boot-ROM contents changed from Rev. 0 silicon to Rev. A silicon. For more details, see the [TMS320x2805x Real-Time Microcontrollers Technical Reference Manual](#).

**Table 8-14. Device Capability Register 1 (DC1) Field Descriptions**

| BIT <sup>(1)</sup> | FIELD  | TYPE  | DESCRIPTION  |
|--------------------|--------|-------|--|
| 31:30              | RSVD   | R = 0 | Reserved   |
| 29:22              | PARTNO | R     | These 8 bits set the PARTNO field value in the PARTID register for the device. They are readable in the PARTID[7:0] register bits. |
| 21:14              | RSVD   | R = 0 | Reserved   |
| 13                 | CLA    | R     | CLA is present when this bit is set.   |
| 12:7               | RSVD   | R = 0 | Reserved   |
| 6                  | L3     | R     | L3 is present when this bit is set.  |
| 5                  | L2     | R     | L2 is present when this bit is set.  |
| 4                  | L1     | R     | L1 is present when this bit is set.  |
| 3                  | L0     | R     | L0 is present when this bit is set.  |
| 2                  | RSVD   | R = 0 | Reserved   |
| 1:0                | RSVD   | R = 0 | Reserved   |

- (1) All reserved bits should not be written to, but if any use case demands that reserved bits must be written to, then software must write the same value that is read back from the reserved bits. These bits are reserved for future enhancements.

**Table 8-15. Device Capability Register 2 (DC2) Field Descriptions**

| BIT <sup>(1)</sup> | FIELD  | TYPE  | DESCRIPTION                             |
|--------------------|--------|-------|---|
| 31:28              | RSVD   | R = 0 | Reserved                                |
| 27                 | eCAN-A | R     | eCAN-A is present when this bit is set. |
| 26:17              | RSVD   | R = 0 | Reserved                                |
| 16                 | EQEP-1 | R     | eQEP-1 is present when this bit is set. |
| 15:13              | RSVD   | R = 0 | Reserved                                |
| 12                 | ECAP-1 | R     | eCAP-1 is present when this bit is set. |
| 11:9               | RSVD   | R = 0 | Reserved                                |
| 8                  | I2C-A  | R     | I2C-A is present when this bit is set.  |
| 7:5                | RSVD   | R = 0 | Reserved                                |
| 4                  | SPI-A  | R     | SPI-A is present when this bit is set.  |
| 3                  | RSVD   | R = 0 | Reserved                                |
| 2                  | SCI-C  | R     | SCI-C is present when this bit is set.  |
| 1                  | SCI-B  | R     | SCI-B is present when this bit is set.  |
| 0                  | SCI-A  | R     | SCI-A is present when this bit is set.  |

- (1) All reserved bits should not be written to, but if any use case demands that reserved bits must be written to, then software must write the same value that is read back from the reserved bits. These bits are reserved for future enhancements.

**Table 8-16. Device Capability Register 3 (DC3) Field Descriptions**

| BIT <sup>(1)</sup> | FIELD     | TYPE  | DESCRIPTION                                    |
|--------------------|-----------|-------|--|
| 31:20              | RSVD      | R = 0 | Reserved                                       |
| 19                 | CTRIPFIL7 | R     | CTRIPFIL7(B7) is present when this bit is set. |
| 18                 | CTRIPFIL6 | R     | CTRIPFIL6(B6) is present when this bit is set. |
| 17                 | CTRIPFIL5 | R     | CTRIPFIL5(B4) is present when this bit is set. |
| 16                 | CTRIPFIL4 | R     | CTRIPFIL4(A6) is present when this bit is set. |
| 15                 | CTRIPFIL3 | R     | CTRIPFIL3(B1) is present when this bit is set. |
| 14                 | CTRIPFIL2 | R     | CTRIPFIL2(A3) is present when this bit is set. |
| 13                 | CTRIPFIL1 | R     | CTRIPFIL1(A1) is present when this bit is set. |
| 12:8               | RSVD      | R = 0 | Reserved                                       |
| 7                  | RSVD      | R = 0 | Reserved                                       |
| 6                  | ePWM7     | R     | ePWM7 is present when this bit is set.         |
| 5                  | ePWM6     | R     | ePWM6 is present when this bit is set.         |
| 4                  | ePWM5     | R     | ePWM5 is present when this bit is set.         |
| 3                  | ePWM4     | R     | ePWM4 is present when this bit is set.         |
| 2                  | ePWM3     | R     | ePWM3 is present when this bit is set.         |
| 1                  | ePWM2     | R     | ePWM2 is present when this bit is set.         |
| 0                  | ePWM1     | R     | ePWM1 is present when this bit is set.         |

- (1) All reserved bits should not be written to, but if any use case demands that reserved bits must be written to, then software must write the same value that is read back from the reserved bits. These bits are reserved for future enhancements.

## 8.5 VREG, BOR, POR

Although the core and I/O circuitry operate on two different voltages, these devices have an on-chip voltage regulator (VREG) to generate the  $V_{DD}$  voltage from the  $V_{DDIO}$  supply. This feature eliminates the cost and space of a second external regulator on an application board. Additionally, internal power-on reset (POR) and brownout reset (BOR) circuits monitor both the  $V_{DD}$  and  $V_{DDIO}$  rails during power-up and run mode.

### 8.5.1 On-chip VREG

A linear regulator generates the core voltage ( $V_{DD}$ ) from the  $V_{DDIO}$  supply. Therefore, although capacitors are required on each  $V_{DD}$  pin to stabilize the generated voltage, supplying power to these pins is not needed to operate the device. Conversely, the VREG can be disabled, if power or redundancy becomes the primary concern of the application.

#### 8.5.1.1 Using the On-chip VREG

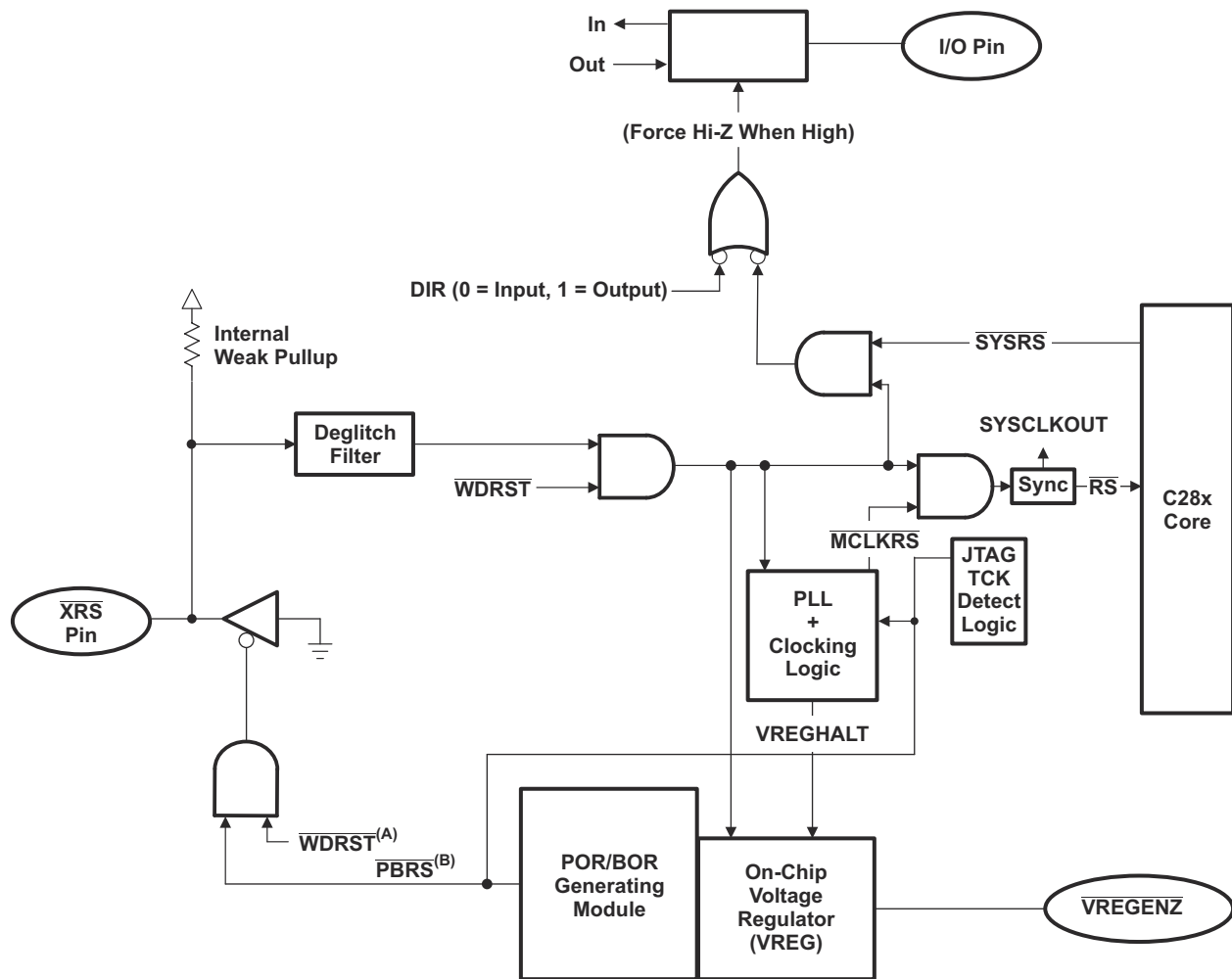
To use the on-chip VREG, the  $\overline{\text{VREGENZ}}$  pin should be tied low and the appropriate recommended operating voltage should be supplied to the  $V_{DDIO}$  and  $V_{DDA}$  pins. In this case, the  $V_{DD}$  voltage needed by the core logic will be generated by the VREG. Each  $V_{DD}$  pin requires approximately 1.2  $\mu\text{F}$  (minimum) capacitance for proper regulation of the VREG. These capacitors should be located as close as possible to the  $V_{DD}$  pins.

#### 8.5.1.2 Disabling the On-chip VREG

To conserve power, it is also possible to disable the on-chip VREG and supply the core logic voltage to the  $V_{DD}$  pins with a more efficient external regulator. To enable this option, the  $\overline{\text{VREGENZ}}$  pin must be tied high.

### 8.5.2 On-chip Power-On Reset and Brownout Reset Circuit

The purpose of the POR is to create a clean reset throughout the device during the entire power-up procedure. The trip point is a looser, lower trip point than the BOR, which watches for dips in the  $V_{DD}$  or  $V_{DDIO}$  rail during device operation. The POR function is present on both  $V_{DD}$  and  $V_{DDIO}$  rails at all times. After initial device power-up, the BOR function is present on  $V_{DDIO}$  at all times, and on  $V_{DD}$  when the internal VREG is enabled ( $\overline{\text{VREGENZ}}$  pin is tied low). Both functions tie the  $\overline{\text{XRS}}$  pin low when one of the voltages is below its respective trip point. Additionally, when the internal voltage regulator is enabled, an overvoltage protection circuit will tie  $\overline{\text{XRS}}$  low if the  $V_{DD}$  rail rises above its trip point. See [Section 7.6](#) for the various trip points as well as the delay time for the device to release the  $\overline{\text{XRS}}$  pin after the undervoltage or overvoltage condition is removed. [Figure 8-5](#) shows the VREG, POR, and BOR. To disable both the  $V_{DD}$  and  $V_{DDIO}$  BOR functions, a bit is provided in the BORCFG register. For details, see the System Control and Interrupts chapter of the [TMS320x2805x Real-Time Microcontrollers Technical Reference Manual](#).



- A.  $\overline{WDRST}$  is the reset signal from the CPU-watchdog.
- B.  $\overline{PBR(S)}$  is the reset signal from the POR/BOR module.

**Figure 8-5. VREG + POR + BOR + Reset Signal Connectivity**

## 8.6 System Control

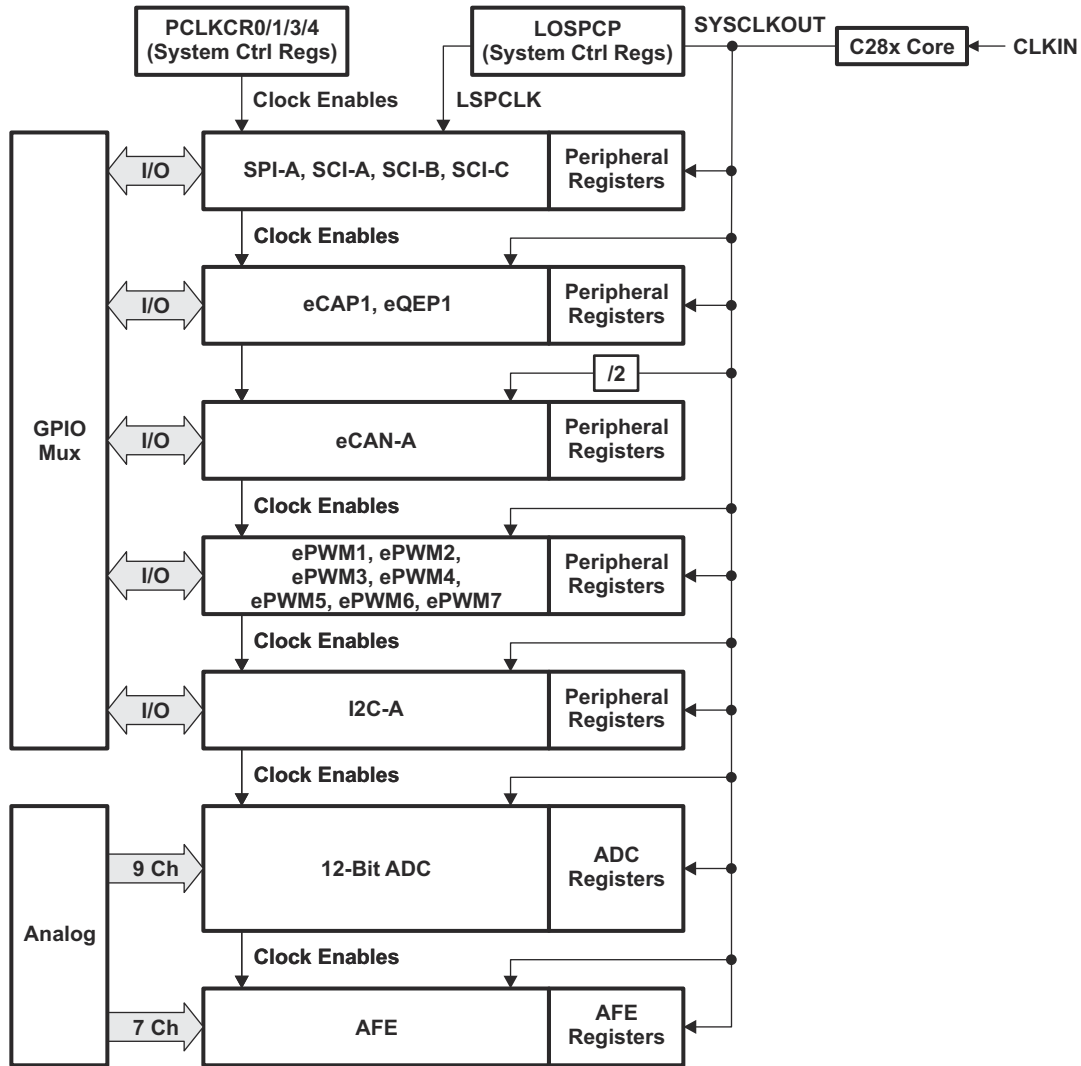
This section describes the oscillator and clocking mechanisms, the watchdog function and the low power modes. [Table 8-17](#) lists the PLL, clocking, watchdog, and low-power mode registers.

**Table 8-17. PLL, Clocking, Watchdog, and Low-Power Mode Registers**

| NAME        | ADDRESS   | SIZE (×16) | DESCRIPTION <sup>(1)</sup>                    |
|-------------|-----------|------------|---|
| BORCFG      | 0x00 0985 | 1          | BOR Configuration register                    |
| XCLK        | 0x00 7010 | 1          | XCLKOUT Control                               |
| PLLSTS      | 0x00 7011 | 1          | PLL Status register                           |
| CLKCTL      | 0x00 7012 | 1          | Clock Control register                        |
| PLLLOCKPRD  | 0x00 7013 | 1          | PLL Lock Period                               |
| INTOSC1TRIM | 0x00 7014 | 1          | Internal Oscillator 1 Trim register           |
| INTOSC2TRIM | 0x00 7016 | 1          | Internal Oscillator 2 Trim register           |
| LOSPCP      | 0x00 701B | 1          | Low-Speed Peripheral Clock Prescaler register |
| PCLKCR0     | 0x00 701C | 1          | Peripheral Clock Control Register 0           |
| PCLKCR1     | 0x00 701D | 1          | Peripheral Clock Control Register 1           |
| LPMCR0      | 0x00 701E | 1          | Low Power Mode Control Register 0             |
| PCLKCR3     | 0x00 7020 | 1          | Peripheral Clock Control Register 3           |
| PLLCR       | 0x00 7021 | 1          | PLL Control register                          |
| SCSR        | 0x00 7022 | 1          | System Control and Status register            |
| WDCNTR      | 0x00 7023 | 1          | Watchdog Counter register                     |
| PCLKCR4     | 0x00 7024 | 1          | Peripheral Clock Control Register 4           |
| WDKEY       | 0x00 7025 | 1          | Watchdog Reset Key register                   |
| WDCR        | 0x00 7029 | 1          | Watchdog Control register                     |

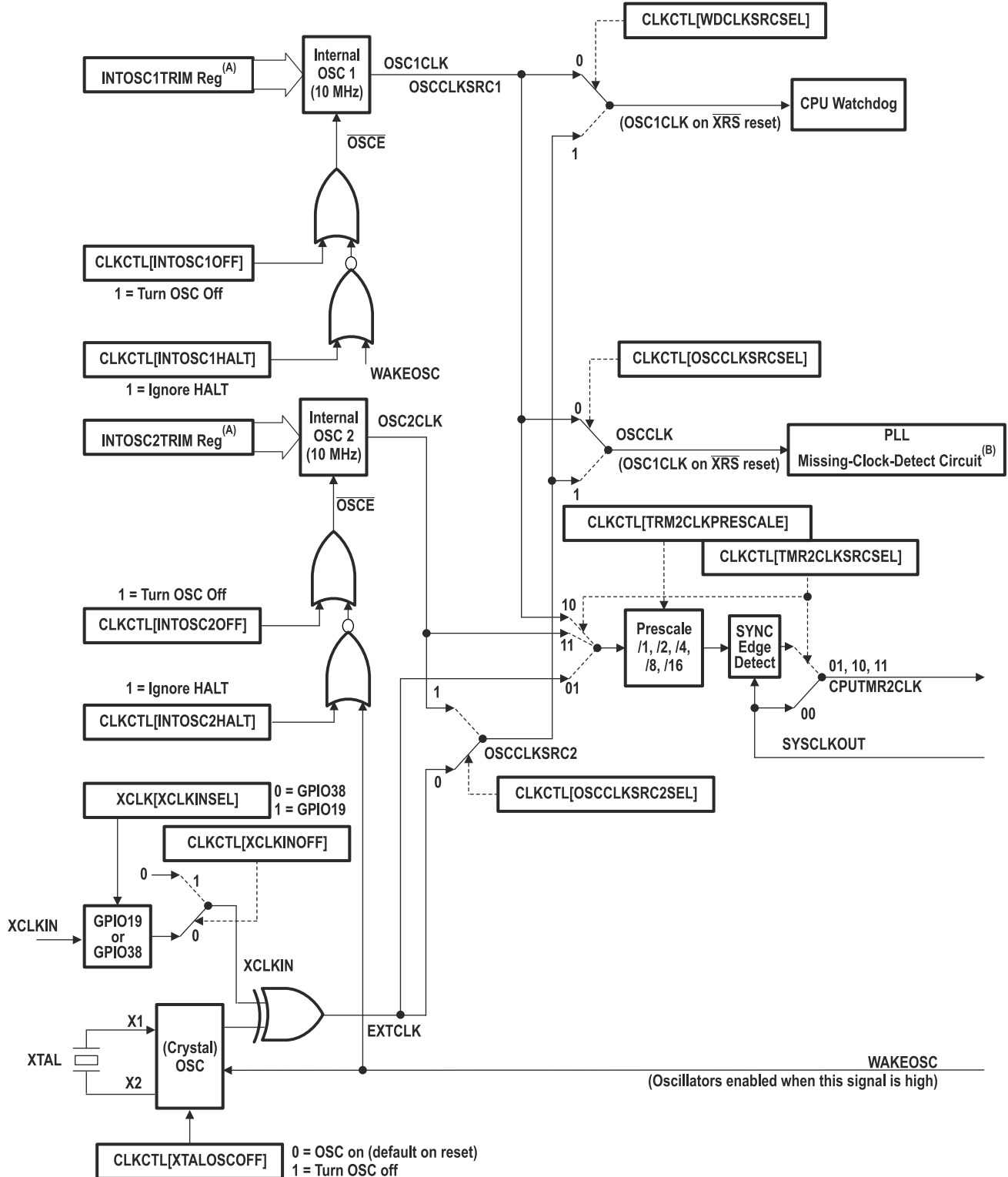
(1) All registers in this table are EALLOW protected.

Figure 8-6 shows the various clock domains that are discussed. Figure 8-7 shows the various clock sources (both internal and external) that can provide a clock for device operation.



A. CLKIN is the clock into the CPU. CLKIN is passed out of the CPU as SYSCLKOUT (that is, CLKIN is the same frequency as SYSCLKOUT).

**Figure 8-6. Clock and Reset Domains**



- A. Register loaded from TI OTP-based calibration function.  
B. See Section 8.6.4 for details on missing clock detection.

Figure 8-7. Clock Tree

### 8.6.1 Internal Zero-Pin Oscillators

The F2805x devices contain two independent internal zero-pin oscillators. By default both oscillators are turned on at power up, and internal oscillator 1 is the default clock source at this time. For power savings, unused oscillators may be powered down by the user. The center frequency of these oscillators is determined by their respective oscillator trim registers, written to in the calibration routine as part of the boot ROM execution. See [Section 7.13.1](#) for more information on these oscillators.

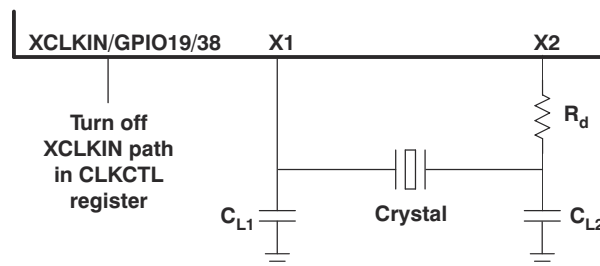
### 8.6.2 Crystal Oscillator Option

The on-chip crystal oscillator X1 and X2 pins are 1.8-V level signals and must never have 3.3-V level signals applied to them. If a system 3.3-V external oscillator is to be used as a clock source, it should be connected to the XCLKIN pin only. The X1 pin is not intended to be used as a single-ended clock input, it should be used with X2 and a crystal.

[Table 8-18](#) lists the typical specifications for the external quartz crystal (fundamental mode, parallel resonant). Furthermore, ESR range = 30 to 150  $\Omega$ . For [Table 8-18](#),  $C_{shunt}$  should be less than or equal to 5 pF.

**Table 8-18. Typical Specifications for External Quartz Crystal**

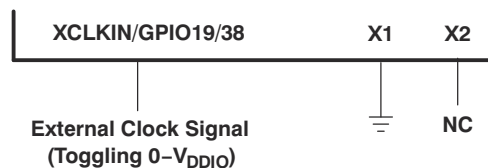
| FREQUENCY (MHz) | $R_d$ ( $\Omega$ ) | $C_{L1}$ (pF) | $C_{L2}$ (pF) |
|-----------------|--------------------|---------------|---------------|
| 5               | 2200               | 18            | 18            |
| 10              | 470                | 15            | 15            |
| 15              | 0                  | 15            | 15            |
| 20              | 0                  | 12            | 12            |



**Figure 8-8. Using the On-chip Crystal Oscillator**

#### Note

1.  $C_{L1}$  and  $C_{L2}$  are the total capacitance of the circuit board and components excluding the IC and crystal. The value is usually approximately twice the value of the load capacitance of the crystal.
2. The load capacitance of the crystal is described in the crystal specifications of the manufacturers.
3. TI recommends that customers have the resonator/crystal vendor characterize the operation of their device with the MCU chip. The resonator/crystal vendor has the equipment and expertise to tune the tank circuit. The vendor can also advise the customer regarding the proper tank component values that will produce proper start-up and stability over the entire operating range.



**Figure 8-9. Using a 3.3-V External Oscillator**

### 8.6.3 PLL-Based Clock Module

The devices have an on-chip, PLL-based clock module. This module provides all the necessary clocking signals for the device, as well as control for low-power mode entry. The PLL has a 4-bit ratio control PLLCR[DIV] to select different CPU clock rates. The watchdog module should be disabled before writing to the PLLCR register. The watchdog module can be re-enabled (if needed) after the PLL module has stabilized, which takes 1 ms. The input clock and PLLCR[DIV] bits should be chosen in such a way that the output frequency of the PLL (VCOCLK) is at least 50 MHz.

**Table 8-19. PLL Settings**

| PLLCR[DIV] VALUE <sup>(2) (3)</sup> | SYSCLKOUT (CLKIN)                      |                    |                    |
|-------------------------------------|--|--------------------|--------------------|
|                                     | PLLSTS[DIVSEL] = 0 or 1 <sup>(1)</sup> | PLLSTS[DIVSEL] = 2 | PLLSTS[DIVSEL] = 3 |
| 0000 (PLL bypass)                   | OSCCLK/4 (Default) <sup>(2)</sup>      | OSCCLK/2           | OSCCLK             |
| 0001                                | (OSCCLK × 1)/4                         | (OSCCLK × 1)/2     | (OSCCLK × 1)/1     |
| 0010                                | (OSCCLK × 2)/4                         | (OSCCLK × 2)/2     | (OSCCLK × 2)/1     |
| 0011                                | (OSCCLK × 3)/4                         | (OSCCLK × 3)/2     | (OSCCLK × 3)/1     |
| 0100                                | (OSCCLK × 4)/4                         | (OSCCLK × 4)/2     | (OSCCLK × 4)/1     |
| 0101                                | (OSCCLK × 5)/4                         | (OSCCLK × 5)/2     | (OSCCLK × 5)/1     |
| 0110                                | (OSCCLK × 6)/4                         | (OSCCLK × 6)/2     | (OSCCLK × 6)/1     |
| 0111                                | (OSCCLK × 7)/4                         | (OSCCLK × 7)/2     | (OSCCLK × 7)/1     |
| 1000                                | (OSCCLK × 8)/4                         | (OSCCLK × 8)/2     | (OSCCLK × 8)/1     |
| 1001                                | (OSCCLK × 9)/4                         | (OSCCLK × 9)/2     | (OSCCLK × 9)/1     |
| 1010                                | (OSCCLK × 10)/4                        | (OSCCLK × 10)/2    | (OSCCLK × 10)/1    |
| 1011                                | (OSCCLK × 11)/4                        | (OSCCLK × 11)/2    | (OSCCLK × 11)/1    |
| 1100                                | (OSCCLK × 12)/4                        | (OSCCLK × 12)/2    | (OSCCLK × 12)/1    |

- (1) By default, PLLSTS[DIVSEL] is configured for /4. (The boot ROM changes the PLLSTS[DIVSEL] configuration to /1.) PLLSTS[DIVSEL] must be 0 before writing to the PLLCR and should be changed only after PLLSTS[PLLLOCKS] = 1.
- (2) The PLL control register (PLLCR) and PLL Status Register (PLLSTS) are reset to their default state by the  $\overline{XRS}$  signal or a watchdog reset only. A reset issued by the debugger or the missing clock detect logic has no effect.
- (3) This register is EALLOW protected. For more information, see the System Control and Interrupts chapter of the [TMS320x2805x Real-Time Microcontrollers Technical Reference Manual](#).

**Table 8-20. CLKIN Divide Options**

| PLLSTS [DIVSEL] | CLKIN DIVIDE |
|-----------------|--------------|
| 0               | /4           |
| 1               | /4           |
| 2               | /2           |
| 3               | /1           |

The PLL-based clock module provides four modes of operation:

- **INTOSC1 (Internal Zero-pin Oscillator 1):** INTOSC1 is the on-chip internal oscillator 1. INTOSC1 can provide the clock for the Watchdog block, core and CPU-Timer 2.
- **INTOSC2 (Internal Zero-pin Oscillator 2):** INTOSC2 is the on-chip internal oscillator 2. INTOSC2 can provide the clock for the Watchdog block, core and CPU-Timer 2. Both INTOSC1 and INTOSC2 can be independently chosen for the Watchdog block, core and CPU-Timer 2.
- **Crystal/Resonator Operation:** The on-chip (crystal) oscillator enables the use of an external crystal/resonator attached to the device to provide the time base. The crystal/resonator is connected to the X1/X2 pins. Some devices may not have the X1/X2 pins. See [Section 6.2.1](#) for details.
- **External Clock Source Operation:** If the on-chip (crystal) oscillator is not used, this mode allows the on-chip (crystal) oscillator to be bypassed. The device clocks are generated from an external clock source input on the XCLKIN pin. The XCLKIN is multiplexed with GPIO19 or GPIO38 pin. The XCLKIN input can be selected as GPIO19 or GPIO38 through the XCLKINSEL bit in XCLK register. The CLKCTL[XCLKINOFF] bit disables

this clock input (forced low). If the clock source is not used or the respective pins are used as GPIOs, the user should disable at boot time.

Before changing clock sources, ensure that the target clock is present. If a clock is not present, then that clock source must be disabled (using the CLKCTL register) before switching clocks.

**Table 8-21. Possible PLL Configuration Modes**

| PLL MODE   | REMARKS   | PLLSTS[DIVSEL] | CLKIN AND SYSCLOCKOUT |
|------------|---|----------------|-----------------------|
| PLL Off    | Invoked by the user setting the PLOFF bit in the PLLSTS register. The PLL block is disabled in this mode. The PLL block being disabled can be useful in reducing system noise and for low-power operation. The PLLCR register must first be set to 0x0000 (PLL Bypass) before entering this mode. The CPU clock (CLKIN) is derived directly from the input clock on either X1/X2, X1 or XCLKIN. | 0, 1           | OSCCLK/4              |
|            |   | 2              | OSCCLK/2              |
|            |   | 3              | OSCCLK/1              |
| PLL Bypass | PLL Bypass is the default PLL configuration upon power-up or after an external reset ( $\overline{XRS}$ ). This mode is selected when the PLLCR register is set to 0x0000 or while the PLL locks to a new frequency after the PLLCR register has been modified. In this mode, the PLL is bypassed but is not turned off.  | 0, 1           | OSCCLK/4              |
|            |   | 2              | OSCCLK/2              |
|            |   | 3              | OSCCLK/1              |
| PLL Enable | Achieved by writing a nonzero value n into the PLLCR register. Upon writing to the PLLCR the device will switch to PLL Bypass mode until the PLL locks.   | 0, 1           | OSCCLK × n/4          |
|            |   | 2              | OSCCLK × n/2          |
|            |   | 3              | OSCCLK × n/1          |

#### 8.6.4 Loss of Input Clock (NMI-watchdog Function)

The 2805x devices may be clocked from either one of the internal zero-pin oscillators (INTOSC1 or INTOSC2), the on-chip crystal oscillator, or from an external clock input. Regardless of the clock source, in PLL-enabled and PLL-bypass mode, if the input clock to the PLL vanishes, the PLL will issue a limp-mode clock at its output. This limp-mode clock continues to clock the CPU and peripherals at a typical frequency of 1–5 MHz.

When the limp mode is activated, a  $\overline{\text{CLOCKFAIL}}$  signal is generated that is latched as an NMI interrupt. Depending on how the NMIRESETSEL bit has been configured, a reset to the device can be fired immediately or the NMI-watchdog counter can issue a reset when the counter overflows. In addition to this action, the Missing Clock Status (MCLKSTS) bit is set. The NMI interrupt could be used by the application to detect the input clock failure and initiate necessary corrective action such as switching over to an alternative clock source (if available) or initiate a shutdown procedure for the system.

If software does not respond to the clock-fail condition, the NMI-watchdog triggers a reset after a preprogrammed time interval. [Figure 8-10](#) shows the interrupt mechanisms involved.

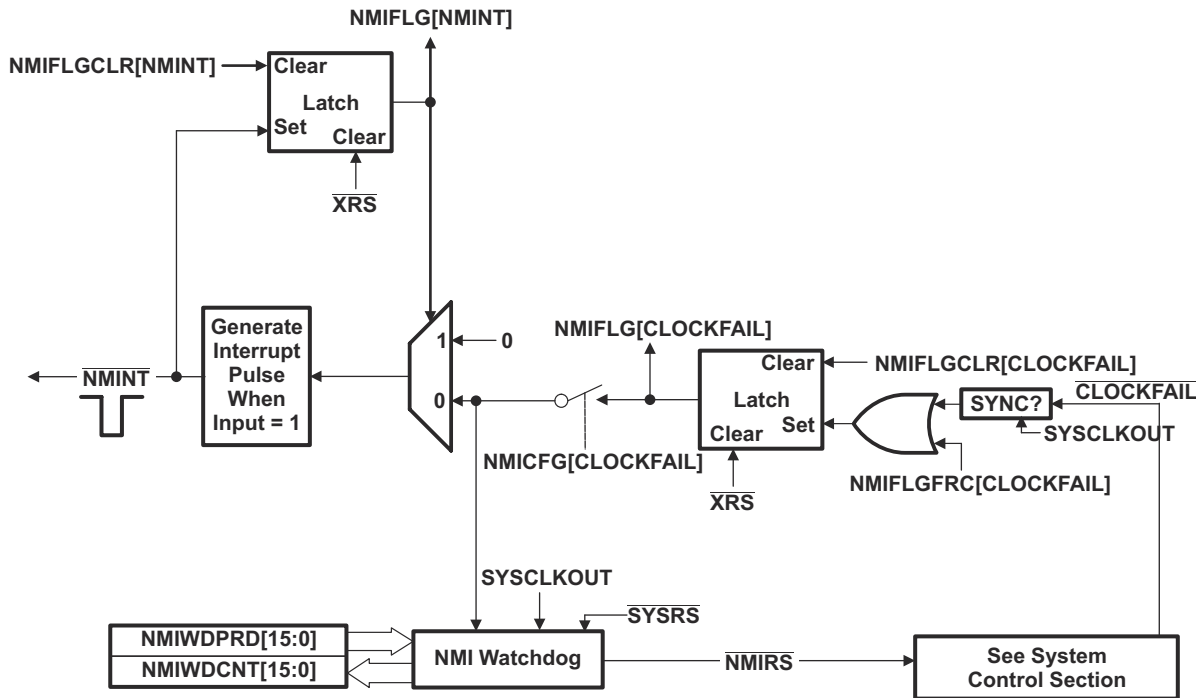


Figure 8-10. NMI-watchdog

### 8.6.5 CPU-watchdog Module

The CPU-watchdog module on the 2805x device is similar to the one used on the 281x, 280x, and 283xx devices. This module generates an output pulse, 512 oscillator clocks wide (OSCCLK), whenever the 8-bit watchdog up counter has reached its maximum value. To prevent this occurrence, the user must disable the counter or the software must periodically write a 0x55 + 0xAA sequence into the watchdog key register that resets the watchdog counter. Figure 8-11 shows the various functional blocks within the watchdog module.

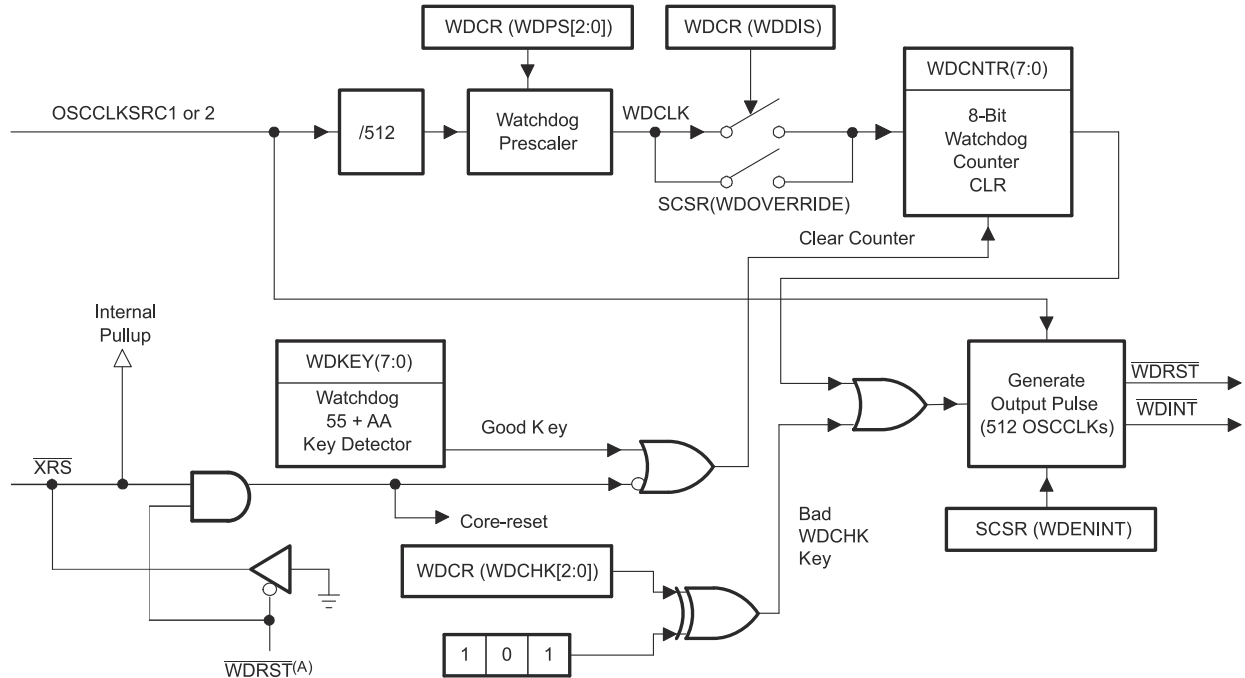
Normally, when the input clocks are present, the CPU-watchdog counter decrements to initiate a CPU-watchdog reset or WDINT interrupt. However, when the external input clock fails, the CPU-watchdog counter stops decrementing (that is, the watchdog counter does not change with the limp-mode clock).

#### Note

The CPU-watchdog is different from the NMI-watchdog. The CPU-watchdog is the legacy watchdog that is present in all 28x devices.

#### Note

Applications in which the correct CPU operating frequency is absolutely critical should implement a mechanism by which the MCU will be held in reset, should the input clocks ever fail. For example, an R-C circuit may be used to trigger the  $\overline{XRS}$  pin of the MCU, should the capacitor ever get fully charged. An I/O pin may be used to discharge the capacitor on a periodic basis to prevent the capacitor from getting fully charged. Such a circuit would also help detect failure of the flash memory.



A. The  $\overline{WDRST}$  signal is driven low for 512 OSCCLK cycles.

**Figure 8-11. CPU-watchdog Module**

The  $\overline{WDINT}$  signal enables the watchdog to be used as a wakeup from IDLE/STANDBY mode.

In STANDBY mode, all peripherals are turned off on the device. The only peripheral that remains functional is the CPU-watchdog. This module will run off OSCCLK. The  $\overline{WDINT}$  signal is fed to the LPM block so that the signal can wake the device from STANDBY (if enabled). For more details, see [Section 8.7](#), Low-power Modes Block.

In IDLE mode, the  $\overline{WDINT}$  signal can generate an interrupt to the CPU, through the PIE, to take the CPU out of IDLE mode.

In HALT mode, the CPU-watchdog can be used to wake up the device through a device reset.

## 8.7 Low-power Modes Block

Table 8-22 summarizes the various modes.

**Table 8-22. Low-power Modes**

| MODE                | LPMCR0(1:0) | OSCCLK   | CLKIN | SYSCCLKOUT | EXIT <sup>(1)</sup>  |
|---------------------|-------------|--|-------|------------|--|
| IDLE                | 00          | On   | On    | On         | $\overline{XRS}$ , CPU-watchdog interrupt, any enabled interrupt                       |
| STANDBY             | 01          | On<br>(CPU-watchdog still running)   | Off   | Off        | $\overline{XRS}$ , CPU-watchdog interrupt, GPIO Port A signal, debugger <sup>(2)</sup> |
| HALT <sup>(3)</sup> | 1X          | Off<br>(on-chip crystal oscillator and PLL turned off, zero-pin oscillator and CPU-watchdog state dependent on user code.) | Off   | Off        | $\overline{XRS}$ , GPIO Port A signal, debugger <sup>(2)</sup> , CPU-watchdog          |

(1) The EXIT column lists which signals or under what conditions the low power mode is exited. A low signal, on any of the signals, exits the low power condition. This signal must be kept low long enough for an interrupt to be recognized by the device. Otherwise, the low-power mode will not be exited and the device will go back into the indicated low power mode.

(2) The JTAG port can still function even if the CPU clock (CLKIN) is turned off.

(3) The WDCLK must be active for the device to go into HALT mode.

The various low-power modes operate as follows:

- IDLE Mode:** This mode is exited by any enabled interrupt that is recognized by the processor. The LPM block performs no tasks during this mode as long as the LPMCR0(LPM) bits are set to 0,0.
- STANDBY Mode:** Any GPIO port A signal (GPIO[31:0]) can wake the device from STANDBY mode. The user must select which signals will wake the device in the GPIOLPMSEL register. The selected signals are also qualified by the OSCCLK before waking the device. The number of OSCCLKs is specified in the LPMCR0 register.
- HALT Mode:** CPU-watchdog,  $\overline{XRS}$ , and any GPIO port A signal (GPIO[31:0]) can wake the device from HALT mode. The user selects the signal in the GPIOLPMSEL register.

### Note

The low-power modes do not affect the state of the output pins (PWM pins included). They will be in whatever state the code left them in when the IDLE instruction was executed. For more information, see the System Control and Interrupts chapter of the [TMS320x2805x Real-Time Microcontrollers Technical Reference Manual](#).

## 8.8 Interrupts

Figure 8-12 shows how the various interrupt sources are multiplexed.

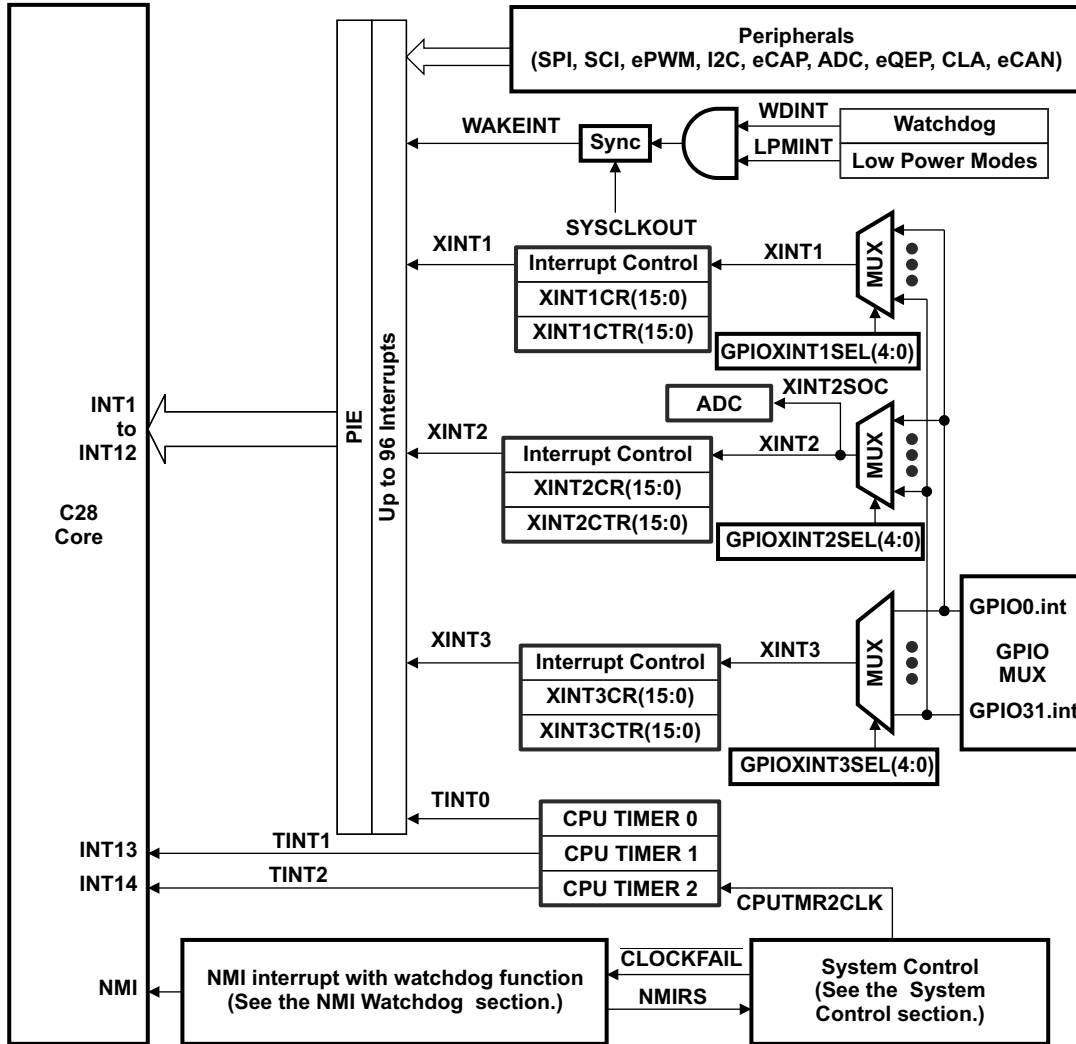
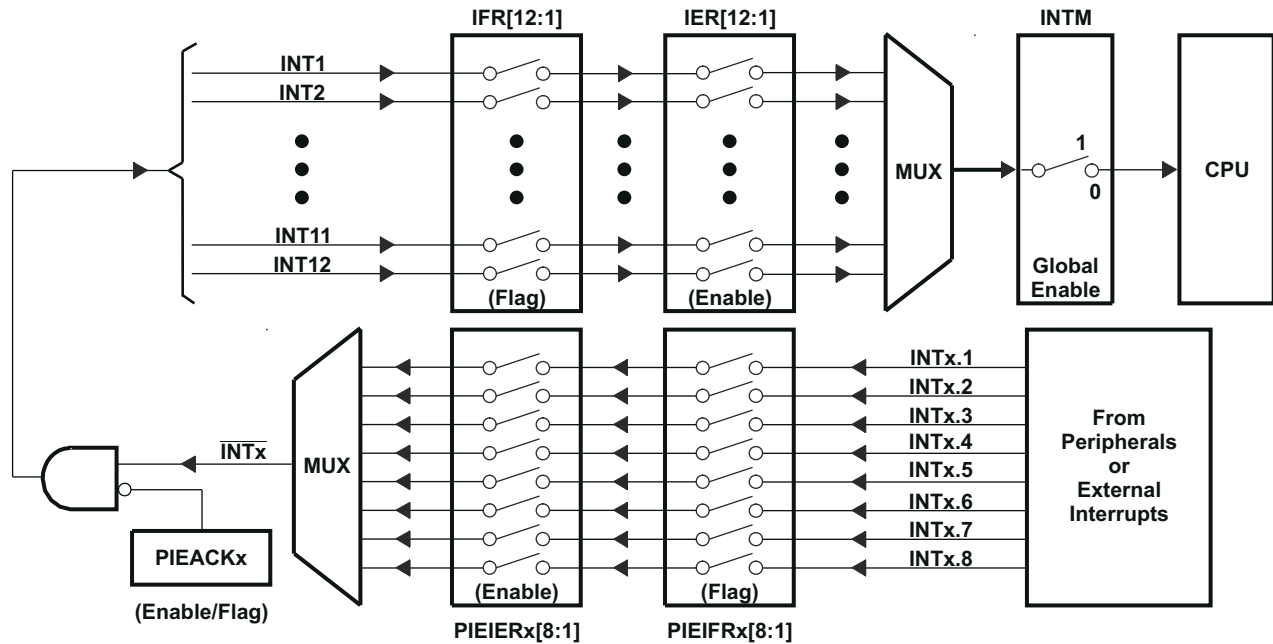


Figure 8-12. External and PIE Interrupt Sources

Eight PIE block interrupts are grouped into one CPU interrupt. In total, 12 CPU interrupt groups, with 8 interrupts per group equals 96 possible interrupts. Table 8-23 shows the interrupts used by 2805x devices.

The TRAP #VectorNumber instruction transfers program control to the interrupt service routine (ISR) corresponding to the vector specified. TRAP #0 attempts to transfer program control to the address pointed to by the reset vector. The PIE vector table does not, however, include a reset vector. Therefore, TRAP #0 should not be used when the PIE is enabled. Doing so will result in undefined behavior.

When the PIE is enabled, TRAP #1 to TRAP #12 will transfer program control to the ISR corresponding to the first vector within the PIE group. For example: TRAP #1 fetches the vector from INT1.1, TRAP #2 fetches the vector from INT2.1, and so forth.



**Figure 8-13. Multiplexing of Interrupts Using the PIE Block**

In Table 8-23, out of 96 possible interrupts, some interrupts are not used. These interrupts are reserved for future devices. These interrupts can be used as software interrupts if they are enabled at the PIEIFRx level, provided none of the interrupts within the group is being used by a peripheral. Otherwise, interrupts coming in from peripherals may be lost by accidentally clearing their flag while modifying the PIEIFR. To summarize, there are two safe cases when the reserved interrupts could be used as software interrupts:

1. No peripheral within the group is asserting interrupts.
2. No peripheral interrupts are assigned to the group (for example, PIE group 7).

**Table 8-23. PIE MUXed Peripheral Interrupt Vector Table**

|                | INTx.8                                  | INTx.7                                  | INTx.6                                  | INTx.5                                  | INTx.4                                  | INTx.3                                  | INTx.2                                  | INTx.1                                 |
|----------------|---|---|---|---|---|---|---|--|
| <b>INT1.y</b>  | WAKEINT<br>(LPM/WD)<br>0xD4E            | TINT0<br>(TIMER 0)<br>0xD4C             | ADCINT9<br>(ADC)<br>0xD4A               | XINT2<br>Ext. int. 2<br>0xD48           | XINT1<br>Ext. int. 1<br>0xD46           | Reserved<br>–<br>0xD44                  | ADCINT2<br>(ADC)<br>0xD42               | ADCINT1<br>(ADC)<br>0xD40              |
| <b>INT2.y</b>  | Reserved<br>–<br>0xD5E                  | EPWM7_TZINT<br>(ePWM7)<br>0xD5C         | EPWM6_TZINT<br>(ePWM6)<br>0xD5A         | EPWM5_TZINT<br>(ePWM5)<br>0xD58         | EPWM4_TZINT<br>(ePWM4)<br>0xD56         | EPWM3_TZINT<br>(ePWM3)<br>0xD54         | EPWM2_TZINT<br>(ePWM2)<br>0xD52         | EPWM1_TZINT<br>(ePWM1)<br>0xD50        |
| <b>INT3.y</b>  | Reserved<br>–<br>0xD6E                  | EPWM7_INT<br>(ePWM7)<br>0xD6C           | EPWM6_INT<br>(ePWM6)<br>0xD6A           | EPWM5_INT<br>(ePWM5)<br>0xD68           | EPWM4_INT<br>(ePWM4)<br>0xD66           | EPWM3_INT<br>(ePWM3)<br>0xD64           | EPWM2_INT<br>(ePWM2)<br>0xD62           | EPWM1_INT<br>(ePWM1)<br>0xD60          |
| <b>INT4.y</b>  | Reserved<br>–<br>0xD7E                  | Reserved<br>–<br>0xD7C                  | Reserved<br>–<br>0xD7A                  | Reserved<br>–<br>0xD78                  | Reserved<br>–<br>0xD76                  | Reserved<br>–<br>0xD74                  | Reserved<br>–<br>0xD72                  | ECAP1_INT<br>(eCAP1)<br>0xD70          |
| <b>INT5.y</b>  | Reserved<br>–<br>0xD8E                  | Reserved<br>–<br>0xD8C                  | Reserved<br>–<br>0xD8A                  | Reserved<br>–<br>0xD88                  | Reserved<br>–<br>0xD86                  | Reserved<br>–<br>0xD84                  | Reserved<br>–<br>0xD82                  | EQEP1_INT<br>(eQEP1)<br>0xD80          |
| <b>INT6.y</b>  | Reserved<br>–<br>0xD9E                  | Reserved<br>–<br>0xD9C                  | Reserved<br>–<br>0xD9A                  | Reserved<br>–<br>0xD98                  | Reserved<br>–<br>0xD96                  | Reserved<br>–<br>0xD94                  | SPITXINTA<br>(SPI-A)<br>0xD92           | SPIRXINTA<br>(SPI-A)<br>0xD90          |
| <b>INT7.y</b>  | Reserved<br>–<br>0xDAE                  | Reserved<br>–<br>0xDAC                  | Reserved<br>–<br>0xDAA                  | Reserved<br>–<br>0xDA8                  | Reserved<br>–<br>0xDA6                  | Reserved<br>–<br>0xDA4                  | Reserved<br>–<br>0xDA2                  | Reserved<br>–<br>0xDA0                 |
| <b>INT8.y</b>  | Reserved<br>–<br>0xDBE                  | Reserved<br>–<br>0xDBC                  | SCITXINTC<br>(SCI-C)<br>0xDBA           | SCIRXINTC<br>(SCI-C)<br>0xDB8           | Reserved<br>–<br>0xDB6                  | Reserved<br>–<br>0xDB4                  | I2CINT2A<br>(I2C-A)<br>0xDB2            | I2CINT1A<br>(I2C-A)<br>0xDB0           |
| <b>INT9.y</b>  | Reserved<br>–<br>0xDCE                  | Reserved<br>–<br>0xDCC                  | ECAN1_INTA<br>(CAN-A)<br>0xDCA          | ECAN0_INTA<br>(CAN-A)<br>0xDC8          | SCITXINTB<br>(SCI-B)<br>0xDC6           | SCIRXINTB<br>(SCI-B)<br>0xDC4           | SCITXINTA<br>(SCI-A)<br>0xDC2           | SCIRXINTA<br>(SCI-A)<br>0xDC0          |
| <b>INT10.y</b> | ADCINT8<br>(ADC)<br>(ePWM16)<br>0xDDE   | ADCINT7<br>(ADC)<br>(ePWM15)<br>0xDDC   | ADCINT6<br>(ADC)<br>(ePWM14)<br>0xDDA   | ADCINT5<br>(ADC)<br>(ePWM13)<br>0xDD8   | ADCINT4<br>(ADC)<br>(ePWM12)<br>0xDD6   | ADCINT3<br>(ADC)<br>(ePWM11)<br>0xDD4   | ADCINT2<br>(ADC)<br>(ePWM10)<br>0xDD2   | ADCINT1<br>(ADC)<br>(ePWM9)<br>0xDD0   |
| <b>INT11.y</b> | CLA1_INT8<br>(CLA)<br>(ePWM16)<br>0xDEE | CLA1_INT7<br>(CLA)<br>(ePWM15)<br>0xDEC | CLA1_INT6<br>(CLA)<br>(ePWM14)<br>0xDEA | CLA1_INT5<br>(CLA)<br>(ePWM13)<br>0xDE8 | CLA1_INT4<br>(CLA)<br>(ePWM12)<br>0xDE6 | CLA1_INT3<br>(CLA)<br>(ePWM11)<br>0xDE4 | CLA1_INT2<br>(CLA)<br>(ePWM10)<br>0xDE2 | CLA1_INT1<br>(CLA)<br>(ePWM9)<br>0xDE0 |
| <b>INT12.y</b> | LUF<br>(CLA)<br>0xDFE                   | LVF<br>(CLA)<br>0xDFC                   | Reserved<br>–<br>0xDFA                  | Reserved<br>–<br>0xDF8                  | Reserved<br>–<br>0xDF6                  | Reserved<br>–<br>0xDF4                  | Reserved<br>–<br>0xDF2                  | XINT3<br>Ext. Int. 3<br>0xDF0          |

**Table 8-24. PIE Configuration and Control Registers**

| NAME     | ADDRESS            | SIZE (*16) | DESCRIPTION <sup>(1)</sup>       |
|----------|--------------------|------------|----------------------------------|
| PIECTRL  | 0x0CE0             | 1          | PIE, Control register            |
| PIEACK   | 0x0CE1             | 1          | PIE, Acknowledge register        |
| PIEIER1  | 0x0CE2             | 1          | PIE, INT1 Group Enable register  |
| PIEIFR1  | 0x0CE3             | 1          | PIE, INT1 Group Flag register    |
| PIEIER2  | 0x0CE4             | 1          | PIE, INT2 Group Enable register  |
| PIEIFR2  | 0x0CE5             | 1          | PIE, INT2 Group Flag register    |
| PIEIER3  | 0x0CE6             | 1          | PIE, INT3 Group Enable register  |
| PIEIFR3  | 0x0CE7             | 1          | PIE, INT3 Group Flag register    |
| PIEIER4  | 0x0CE8             | 1          | PIE, INT4 Group Enable register  |
| PIEIFR4  | 0x0CE9             | 1          | PIE, INT4 Group Flag register    |
| PIEIER5  | 0x0CEA             | 1          | PIE, INT5 Group Enable register  |
| PIEIFR5  | 0x0CEB             | 1          | PIE, INT5 Group Flag register    |
| PIEIER6  | 0x0CEC             | 1          | PIE, INT6 Group Enable register  |
| PIEIFR6  | 0x0CED             | 1          | PIE, INT6 Group Flag register    |
| PIEIER7  | 0x0CEE             | 1          | PIE, INT7 Group Enable register  |
| PIEIFR7  | 0x0CEF             | 1          | PIE, INT7 Group Flag register    |
| PIEIER8  | 0x0CF0             | 1          | PIE, INT8 Group Enable register  |
| PIEIFR8  | 0x0CF1             | 1          | PIE, INT8 Group Flag register    |
| PIEIER9  | 0x0CF2             | 1          | PIE, INT9 Group Enable register  |
| PIEIFR9  | 0x0CF3             | 1          | PIE, INT9 Group Flag register    |
| PIEIER10 | 0x0CF4             | 1          | PIE, INT10 Group Enable register |
| PIEIFR10 | 0x0CF5             | 1          | PIE, INT10 Group Flag register   |
| PIEIER11 | 0x0CF6             | 1          | PIE, INT11 Group Enable register |
| PIEIFR11 | 0x0CF7             | 1          | PIE, INT11 Group Flag register   |
| PIEIER12 | 0x0CF8             | 1          | PIE, INT12 Group Enable register |
| PIEIFR12 | 0x0CF9             | 1          | PIE, INT12 Group Flag register   |
| Reserved | 0x0CFA –<br>0x0CFF | 6          | Reserved                         |

- (1) The PIE configuration and control registers are not protected by EALLOW mode. The PIE vector table is protected.

## 8.8.1 External Interrupts

**Table 8-25. External Interrupt Registers**

| NAME     | ADDRESS   | SIZE (×16) | DESCRIPTION                  |
|----------|-----------|------------|------------------------------|
| XINT1CR  | 0x00 7070 | 1          | XINT1 configuration register |
| XINT2CR  | 0x00 7071 | 1          | XINT2 configuration register |
| XINT3CR  | 0x00 7072 | 1          | XINT3 configuration register |
| XINT1CTR | 0x00 7078 | 1          | XINT1 counter register       |
| XINT2CTR | 0x00 7079 | 1          | XINT2 counter register       |
| XINT3CTR | 0x00 707A | 1          | XINT3 counter register       |

Each external interrupt can be enabled, disabled, or qualified using positive, negative, or both positive and negative edge. For more information, see the System Control and Interrupts chapter of the [TMS320x2805x Real-Time Microcontrollers Technical Reference Manual](#).

### 8.8.1.1 External Interrupt Electrical Data/Timing

#### 8.8.1.1.1 External Interrupt Timing Requirements

|   | TEST CONDITIONS | MIN                         | MAX | UNIT   |
|---|-----------------|-----------------------------|-----|--------|
| $t_{w(INT)}$ <sup>(1)</sup> <sup>(2)</sup> Pulse duration, INT input low/high | Synchronous     | $1t_{c(SCO)}$               |     | cycles |
|   | With qualifier  | $1t_{c(SCO)} + t_{w(IQSW)}$ |     | cycles |

(1) For an explanation of the input qualifier parameters, see [Section 8.9.12.3.2.1](#).

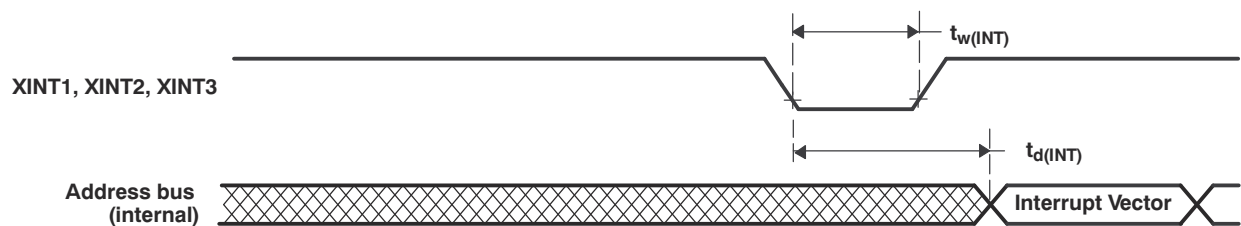
(2) This timing is applicable to any GPIO pin configured for ADCSOC functionality.

#### 8.8.1.1.2 External Interrupt Switching Characteristics

over recommended operating conditions (unless otherwise noted)

| PARAMETER  | MIN                          | MAX | UNIT   |
|--|------------------------------|-----|--------|
| $t_{d(INT)}$ <sup>(1)</sup> Delay time, INT low/high to interrupt-vector fetch | $t_{w(IQSW)} + 12t_{c(SCO)}$ |     | cycles |

(1) For an explanation of the input qualifier parameters, see [Section 8.9.12.3.2.1](#).



**Figure 8-14. External Interrupt Timing**

## 8.9 Peripherals

### 8.9.1 Control Law Accelerator

#### 8.9.1.1 CLA Device-Specific Information

The CLA extends the capabilities of the C28x CPU by adding parallel processing. Time-critical control loops serviced by the CLA can achieve low ADC sample to output delay. Thus, the CLA enables faster system response and higher frequency control loops. Using the CLA for time-critical tasks frees up the main CPU to perform other system and communication functions concurrently. The following is a list of major features of the CLA.

- Clocked at the same rate as the main CPU (SYSCLKOUT).
- An independent architecture allowing CLA algorithm execution independent of the main C28x CPU.
  - Complete bus architecture:
    - Program address bus and program data bus
    - Data address bus, data read bus, and data write bus
  - Independent eight-stage pipeline.
  - 12-bit program counter (MPC)
  - Four 32-bit result registers (MR0–MR3)
  - Two 16-bit auxiliary registers (MAR0, MAR1)
  - Status register (MSTF)
- Instruction set includes:
  - IEEE single-precision (32-bit) floating-point math operations
  - Floating-point math with parallel load or store
  - Floating-point multiply with parallel add or subtract
  - 1/X and 1/sqrt(X) estimations
  - Data type conversions.
  - Conditional branch and call
  - Data load and store operations
- The CLA program code can consist of up to eight tasks or ISRs.
  - The start address of each task is specified by the MVECT registers.
  - No limit on task size as long as the tasks fit within the CLA program memory space.
  - One task is serviced at a time through to completion. There is no nesting of tasks.
  - Upon task completion, a task-specific interrupt is flagged within the PIE.
  - When a task finishes, the next highest-priority pending task is automatically started.
- Task trigger mechanisms:
  - C28x CPU through the IACK instruction
  - Task1 to Task7: the corresponding ADC, ePWM, eQEP, or eCAP module interrupt. For example:
    - Task1: ADCINT1 or EPWM1\_INT
    - Task2: ADCINT2 or EPWM2\_INT
    - Task4: ADCINT4 or EPWM4\_INT or EQEPx\_INT or ECAPx\_INT
    - Task7: ADCINT7 or EPWM7\_INT or EQEPx\_INT or ECAPx\_INT
  - Task8: ADCINT8 or by CPU Timer 0 or EQEPx\_INT or ECAPx\_INT
- Memory and Shared Peripherals:
  - Two dedicated message RAMs for communication between the CLA and the main CPU.
  - The C28x CPU can map CLA program and data memory to the main CPU space or CLA space.
  - The CLA has direct access to the CLA Data ROM that stores the math tables required by the routines in the CLA Math Library.
  - The CLA has direct access to the ADC Result registers, comparator and DAC registers, eCAP, eQEP, and ePWM registers.

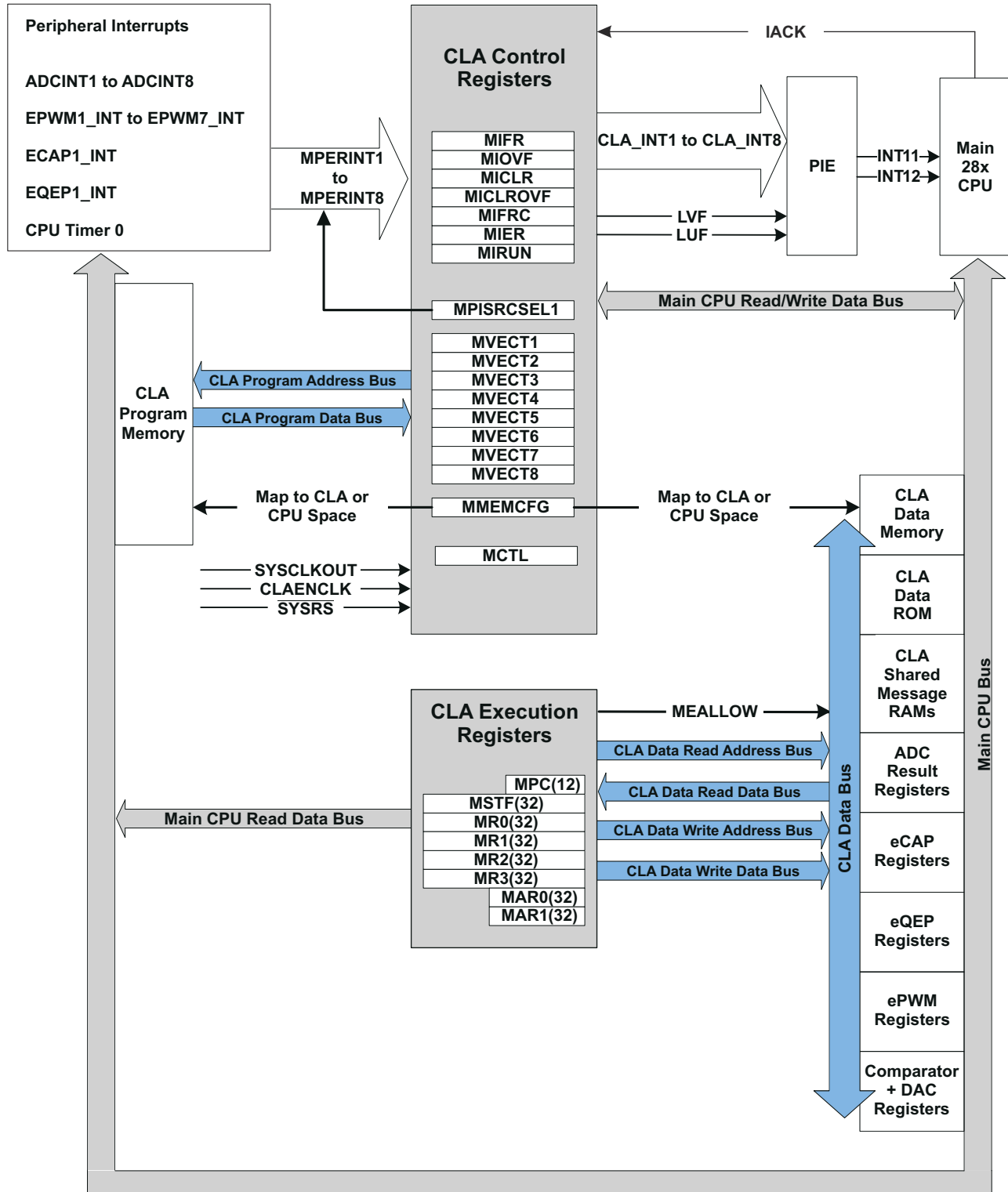


Figure 8-15. CLA Block Diagram

### 8.9.1.2 CLA Register Descriptions

**Table 8-26. CLA Control Registers**

| REGISTER NAME       | CLA1 ADDRESS | SIZE (×16) | EALLOW PROTECTED | DESCRIPTION <sup>(1)</sup>                    |
|---------------------|--------------|------------|------------------|---|
| MVECT1              | 0x1400       | 1          | Yes              | CLA Interrupt/Task 1 Start Address            |
| MVECT2              | 0x1401       | 1          | Yes              | CLA Interrupt/Task 2 Start Address            |
| MVECT3              | 0x1402       | 1          | Yes              | CLA Interrupt/Task 3 Start Address            |
| MVECT4              | 0x1403       | 1          | Yes              | CLA Interrupt/Task 4 Start Address            |
| MVECT5              | 0x1404       | 1          | Yes              | CLA Interrupt/Task 5 Start Address            |
| MVECT6              | 0x1405       | 1          | Yes              | CLA Interrupt/Task 6 Start Address            |
| MVECT7              | 0x1406       | 1          | Yes              | CLA Interrupt/Task 7 Start Address            |
| MVECT8              | 0x1407       | 1          | Yes              | CLA Interrupt/Task 8 Start Address            |
| MCTL                | 0x1410       | 1          | Yes              | CLA Control register                          |
| MMEMCFG             | 0x1411       | 1          | Yes              | CLA Memory Configure register                 |
| MPISRCSEL1          | 0x1414       | 2          | Yes              | Peripheral Interrupt Source Select Register 1 |
| MIFR                | 0x1420       | 1          | Yes              | Interrupt Flag register                       |
| MIOVF               | 0x1421       | 1          | Yes              | Interrupt Overflow register                   |
| MIFRC               | 0x1422       | 1          | Yes              | Interrupt Force register                      |
| MICLR               | 0x1423       | 1          | Yes              | Interrupt Clear register                      |
| MICLROVF            | 0x1424       | 1          | Yes              | Interrupt Overflow Clear register             |
| MIER                | 0x1425       | 1          | Yes              | Interrupt Enable register                     |
| MIRUN               | 0x1426       | 1          | Yes              | Interrupt RUN register                        |
| MPC <sup>(2)</sup>  | 0x1428       | 1          | –                | CLA Program Counter                           |
| MAR0 <sup>(2)</sup> | 0x142A       | 1          | –                | CLA Aux Register 0                            |
| MAR1 <sup>(2)</sup> | 0x142B       | 1          | –                | CLA Aux Register 1                            |
| MSTF <sup>(2)</sup> | 0x142E       | 2          | –                | CLA STF register                              |
| MR0 <sup>(2)</sup>  | 0x1430       | 2          | –                | CLA R0H register                              |
| MR1 <sup>(2)</sup>  | 0x1434       | 2          | –                | CLA R1H register                              |
| MR2 <sup>(2)</sup>  | 0x1438       | 2          | –                | CLA R2H register                              |
| MR3 <sup>(2)</sup>  | 0x143C       | 2          | –                | CLA R3H register                              |

(1) All registers in this table are DCSM protected.

(2) The main C28x CPU has read only access to this register for debug purposes. The main CPU cannot perform CPU or debugger writes to this register.

**Table 8-27. CLA Message RAM**

| ADDRESS RANGE    | SIZE (×16) | DESCRIPTION            |
|------------------|------------|------------------------|
| 0x1480 to 0x14FF | 128        | CLA to CPU Message RAM |
| 0x1500 to 0x157F | 128        | CPU to CLA Message RAM |

## 8.9.2 Analog Block

### 8.9.2.1 Analog-to-Digital Converter

#### 8.9.2.1.1 ADC Device-Specific Information

The core of the ADC contains a single 12-bit converter fed by two sample-and-hold circuits. The sample-and-hold circuits can be sampled simultaneously or sequentially. These, in turn, are fed by a total of up to 16 analog input channels. The converter can be configured to run with an internal bandgap reference to create true-voltage-based conversions or with a pair of external voltage references ( $V_{REFHI}/V_{REFLO}$ ) to create ratiometric-based conversions.

Contrary to previous ADC types, this ADC is not sequencer-based. The user can easily create a series of conversions from a single trigger. However, the basic principle of operation is centered around the configurations of individual conversions, called SOCs, or Start-Of-Conversions.

Functions of the ADC module include:

- 12-bit ADC core with built-in dual sample-and-hold (S/H)
- Simultaneous sampling or sequential sampling modes
- Full range analog input: 0 V to 3.3 V fixed, or  $V_{REFHI}/V_{REFLO}$  ratiometric. The digital value of the input analog voltage is derived by:
  - Internal Reference ( $V_{REFLO} = V_{SSA}$ .  $V_{REFHI}$  must not exceed  $V_{DDA}$  when using either internal or external reference modes.)

Digital Value = 0, when input  $\leq$  0 V

Digital Value =  $4096 \times \frac{\text{Input Analog Voltage} - V_{REFLO}}{3.3}$  when  $0 \text{ V} < \text{input} < 3.3 \text{ V}$

Digital Value = 4095, when input  $\geq$  3.3 V

- External Reference ( $V_{REFHI}/V_{REFLO}$  connected to external references.  $V_{REFHI}$  must not exceed  $V_{DDA}$  when using either internal or external reference modes.)

Digital Value = 0, when input  $\leq$  0 V

Digital Value =  $4096 \times \frac{\text{Input Analog Voltage} - V_{REFLO}}{V_{REFHI} - V_{REFLO}}$  when  $0 \text{ V} < \text{input} < V_{REFHI}$

Digital Value = 4095, when input  $\geq V_{REFHI}$

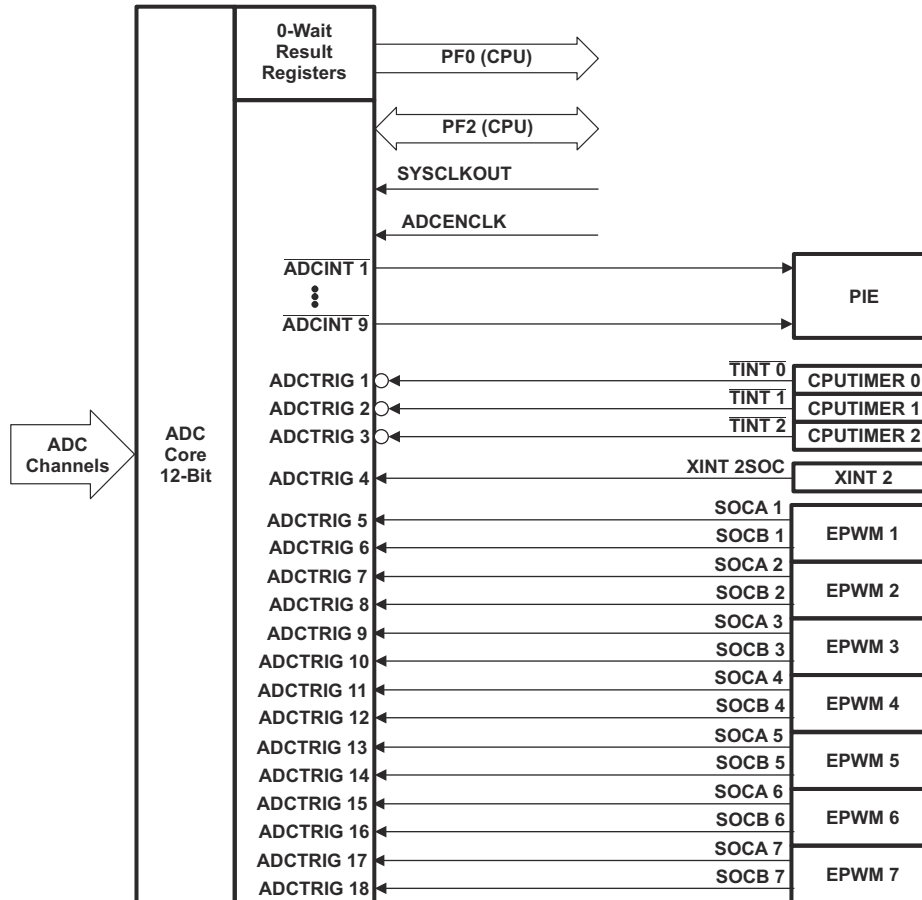
- Up to 16-channel, multiplexed inputs
- 16 SOCs, configurable for trigger, sample window, and channel
- 16 result registers (individually addressable) to store conversion values
- Multiple trigger sources
  - S/W – software immediate start
  - ePWM 1–7
  - GPIO XINT2
  - CPU-Timer 0, CPU-Timer 1, CPU-Timer 2
  - ADCINT1, ADCINT2
- 9 flexible PIE interrupts, can configure interrupt request after any conversion

**Table 8-28. ADC Configuration and Control Registers**

| REGISTER NAME             | ADDRESS          | SIZE (x16) | EALLOW PROTECTED | DESCRIPTION  |
|---------------------------|------------------|------------|------------------|--|
| ADCCTL1                   | 0x7100           | 1          | Yes              | Control 1 register   |
| ADCCTL2                   | 0x7101           | 1          | Yes              | Control 2 register   |
| ADCINTFLG                 | 0x7104           | 1          | No               | Interrupt Flag register  |
| ADCINTFLGCLR              | 0x7105           | 1          | No               | Interrupt Flag Clear register                                    |
| ADCINTOVF                 | 0x7106           | 1          | No               | Interrupt Overflow register                                      |
| ADCINTOVFCLR              | 0x7107           | 1          | No               | Interrupt Overflow Clear register                                |
| INTSEL1N2                 | 0x7108           | 1          | Yes              | Interrupt 1 and 2 Selection register                             |
| INTSEL3N4                 | 0x7109           | 1          | Yes              | Interrupt 3 and 4 Selection register                             |
| INTSEL5N6                 | 0x710A           | 1          | Yes              | Interrupt 5 and 6 Selection register                             |
| INTSEL7N8                 | 0x710B           | 1          | Yes              | Interrupt 7 and 8 Selection register                             |
| INTSEL9N10                | 0x710C           | 1          | Yes              | Interrupt 9 Selection register (reserved Interrupt 10 Selection) |
| SOCPRCTL                  | 0x7110           | 1          | Yes              | SOC Priority Control register                                    |
| ADCSAMPLEMODE             | 0x7112           | 1          | Yes              | Sampling Mode register   |
| ADCINTSOCSEL1             | 0x7114           | 1          | Yes              | Interrupt SOC Selection 1 register (for 8 channels)              |
| ADCINTSOCSEL2             | 0x7115           | 1          | Yes              | Interrupt SOC Selection 2 register (for 8 channels)              |
| ADCSOCFLG1                | 0x7118           | 1          | No               | SOC Flag 1 register (for 16 channels)                            |
| ADCSOCFRC1                | 0x711A           | 1          | No               | SOC Force 1 register (for 16 channels)                           |
| ADCSOCOVF1                | 0x711C           | 1          | No               | SOC Overflow 1 register (for 16 channels)                        |
| ADCSOCOVFCLR1             | 0x711E           | 1          | No               | SOC Overflow Clear 1 register (for 16 channels)                  |
| ADCSOC0CTL to ADCSOC15CTL | 0x7120 to 0x712F | 1          | Yes              | SOC0 Control Register to SOC15 Control register                  |
| ADCREFTRIM                | 0x7140           | 1          | Yes              | Reference Trim register  |
| ADCOFFTRIM                | 0x7141           | 1          | Yes              | Offset Trim register   |
| ADCREV                    | 0x714F           | 1          | No               | Revision register  |

**Table 8-29. ADC Result Registers (Mapped to PF0)**

| REGISTER NAME             | ADDRESS        | SIZE (x16) | EALLOW PROTECTED | DESCRIPTION                                     |
|---------------------------|----------------|------------|------------------|---|
| ADCRESULT0 to ADCRESULT15 | 0xB00 to 0xB0F | 1          | No               | ADC Result 0 register to ADC Result 15 register |



**Figure 8-16. ADC Connections**

### **ADC Connections if the ADC is Not Used**

TI recommends keeping the connections for the analog power pins, even if the ADC is not used. Following is a summary of how the ADC pins should be connected, if the ADC is not used in an application:

- $V_{DDA}$  – Connect to  $V_{DDIO}$
- $V_{SSA}$  – Connect to  $V_{SS}$
- $V_{REFLO}$  – Connect to  $V_{SS}$
- $ADCINAn$ ,  $ADCINBn$ ,  $V_{REFHI}$  – Connect to  $V_{SSA}$

When the ADC module is used in an application, unused ADC input pins should be connected to analog ground ( $V_{SSA}$ ).

When the ADC is not used, be sure that the clock to the ADC module is not turned on to realize power savings.

### 8.9.2.1.2 ADC Electrical Data/Timing

#### 8.9.2.1.2.1 ADC Electrical Characteristics

| PARAMETER   |  | MIN                | TYP  | MAX                | UNIT       |
|---|--|--------------------|------|--------------------|------------|
| <b>DC SPECIFICATIONS</b>                            |  |                    |      |                    |            |
| Resolution  |  | 12                 |      |                    | Bits       |
| ADC clock   |  | 0.5                |      | 60                 | MHz        |
| Sample Window (see <a href="#">Table 8-30</a> )     | 28055, 28054, 28053,<br>28052                        | 10                 |      | 63                 | ADC clocks |
|   | 28051, 28050   | 24                 |      | 63                 |            |
| <b>ACCURACY</b>                                     |  |                    |      |                    |            |
| INL (Integral nonlinearity) <sup>(1)</sup>          |  | -4                 |      | 4.5                | LSB        |
| DNL (Differential nonlinearity), no missing codes   |  | -1                 |      | 1.5                | LSB        |
| Offset error <sup>(2)</sup>                         | Executing a single self-recalibration <sup>(3)</sup> | -20                | 0    | 20                 | LSB        |
|   | Executing periodic self-recalibration <sup>(4)</sup> | -4                 | 0    | 4                  |            |
| Overall gain error with internal reference          |  | -60                |      | 60                 | LSB        |
| Overall gain error with external reference          |  | -40                |      | 40                 | LSB        |
| Channel-to-channel offset variation                 |  | -4                 |      | 4                  | LSB        |
| Channel-to-channel gain variation                   |  | -4                 |      | 4                  | LSB        |
| ADC temperature coefficient with internal reference |  |                    | -50  |                    | ppm/°C     |
| ADC temperature coefficient with external reference |  |                    | -20  |                    | ppm/°C     |
| V <sub>REFLO</sub>                                  |  |                    | -100 |                    | μA         |
| V <sub>REFHI</sub>                                  |  |                    | 100  |                    | μA         |
| <b>ANALOG INPUT</b>                                 |  |                    |      |                    |            |
| Analog input voltage with internal reference        |  | 0                  |      | 3.3                | V          |
| Analog input voltage with external reference        |  | V <sub>REFLO</sub> |      | V <sub>REFHI</sub> | V          |
| V <sub>REFLO</sub> input voltage                    |  | V <sub>SSA</sub>   |      | 0.66               | V          |
| V <sub>REFHI</sub> input voltage <sup>(5)</sup>     |  | 2.64               |      | V <sub>DDA</sub>   | V          |
|   | with V <sub>REFLO</sub> = V <sub>SSA</sub>           | 1.98               |      | V <sub>DDA</sub>   |            |
| Input capacitance                                   |  |                    | 5    |                    | pF         |
| Input leakage current                               |  |                    | ±2   |                    | μA         |

- (1) INL will degrade when the ADC input voltage goes above V<sub>DDA</sub>.
- (2) 1 LSB has the weighted value of full-scale range (FSR)/4096. FSR is 3.3 V with internal reference and V<sub>REFHI</sub> - V<sub>REFLO</sub> for external reference.
- (3) For more details, see the [TMS320F2805x Real-Time MCUs Silicon Errata](#).
- (4) Periodic self-recalibration will remove system-level and temperature dependencies on the ADC zero offset error. This can be performed as needed in the application without sacrificing an ADC channel by using the procedure listed in the "ADC Zero Offset Calibration" section in the Analog-to-Digital Converter and Comparator chapter of the [TMS320x2805x Real-Time Microcontrollers Technical Reference Manual](#).
- (5) V<sub>REFHI</sub> must not exceed V<sub>DDA</sub> when using either internal or external reference modes.

**Table 8-30. ACQPS Values**

|         | OVERLAP MODE <sup>(1)</sup> | NONOVERLAP MODE <sup>(1)</sup>   |
|---------|-----------------------------|----------------------------------|
| Non-PGA | {9, 10, 23, 36, 49, 62}     | {15, 16, 28, 29, 41, 42, 54, 55} |
| PGA     | {23, 36, 49, 62}            | {15, 16, 28, 29, 41, 42, 54, 55} |

- (1) ACQPS = 6 can be used for the first sample if it is thrown away.

### 8.9.2.1.2.2 ADC Power Modes

| ADC OPERATING MODE            | CONDITIONS   | I <sub>DDA</sub> | UNITS |
|-------------------------------|--|------------------|-------|
| Mode A – Operating Mode       | ADC Clock Enabled<br>Bandgap On (ADCBGPWD = 1)<br>Reference On (ADCREFPWD = 1)<br>ADC Powered Up (ADCPWDN = 1) | 13               | mA    |
| Mode B – Quick Wake Mode      | ADC Clock Enabled<br>Bandgap On (ADCBGPWD = 1)<br>Reference On (ADCREFPWD = 1)<br>ADC Powered Up (ADCPWDN = 0) | 4                | mA    |
| Mode C – Comparator-Only Mode | ADC Clock Enabled<br>Bandgap On (ADCBGPWD = 1)<br>Reference On (ADCREFPWD = 0)<br>ADC Powered Up (ADCPWDN = 0) | 1.5              | mA    |
| Mode D – Off Mode             | ADC Clock Enabled<br>Bandgap On (ADCBGPWD = 0)<br>Reference On (ADCREFPWD = 0)<br>ADC Powered Up (ADCPWDN = 0) | 0.075            | mA    |

### 8.9.2.1.2.3 External ADC Start-of-Conversion Electrical Data/Timing

#### 8.9.2.1.2.3.1 External ADC Start-of-Conversion Switching Characteristics

over recommended operating conditions (unless otherwise noted)

| PARAMETER  | MIN                   | MAX | UNIT   |
|--|-----------------------|-----|--------|
| t <sub>w(ADCSOCL)</sub> Pulse duration, ADCSOCxO low | 32t <sub>c(HCO)</sub> |     | cycles |

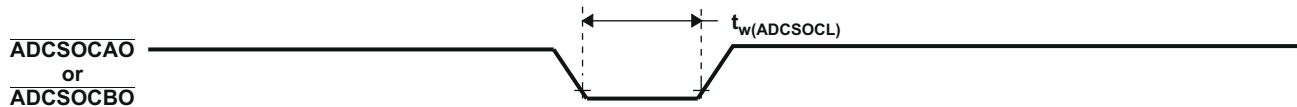


Figure 8-17. ADCSOCxO or ADCSOCBO Timing

### 8.9.2.1.2.4 Internal Temperature Sensor

#### 8.9.2.1.2.4.1 Temperature Sensor Coefficient

| PARAMETER <sup>(1) (2)</sup>   | MIN | TYP                     | MAX | UNIT   |
|--|-----|-------------------------|-----|--------|
| T <sub>SLOPE</sub> Degrees C of temperature movement per measured ADC LSB change of the temperature sensor |     | 0.18 <sup>(4) (3)</sup> |     | °C/LSB |
| T <sub>OFFSET</sub> ADC output at 0°C of the temperature sensor  |     | 1750                    |     | LSB    |

- (1) The accuracy of the temperature sensor for sensing absolute temperature (temperature in degrees) is not specified. The primary use of the temperature sensor should be to compensate the internal oscillator for temperature drift (this operation is assured as per [Section 7.13.1.3](#)).
- (2) The temperature sensor slope and offset are given in terms of ADC LSBs using the internal reference of the ADC. Values must be adjusted accordingly in external reference mode to the external reference voltage.
- (3) Output of the temperature sensor (in terms of LSBs) is sign-consistent with the direction of the temperature movement. Increasing temperatures will give increasing ADC values relative to an initial value; decreasing temperatures will give decreasing ADC values relative to an initial value.
- (4) ADC temperature coefficient is accounted for in this specification

### 8.9.2.1.2.5 ADC Power-Up Control Bit Timing

#### 8.9.2.1.2.5.1 ADC Power-Up Delays

| PARAMETER <sup>(1)</sup> |  | MIN | MAX | UNIT |
|--------------------------|--|-----|-----|------|
| $t_{d(PWD)}$             | Delay time for the ADC to be stable after power up |     | 1   | ms   |

(1) Timings maintain compatibility to the ADC module. The 2805x ADC supports driving all 3 bits at the same time  $t_{d(PWD)}$  ms before first conversion.

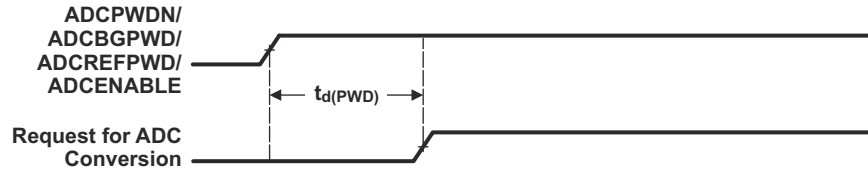
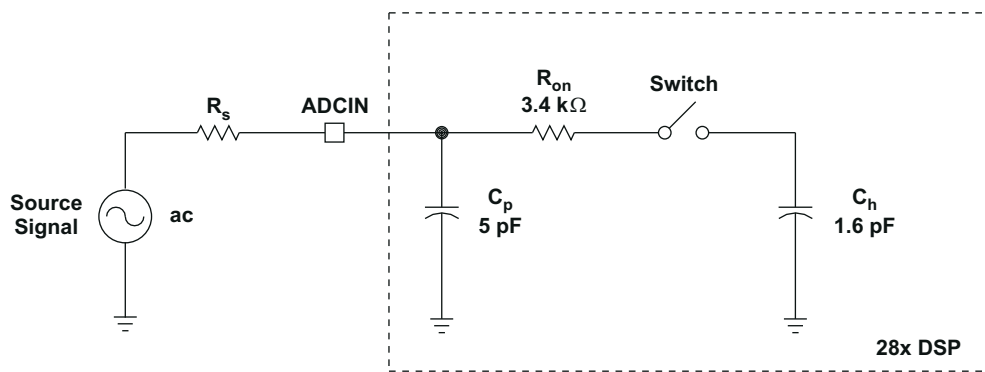


Figure 8-18. ADC Conversion Timing

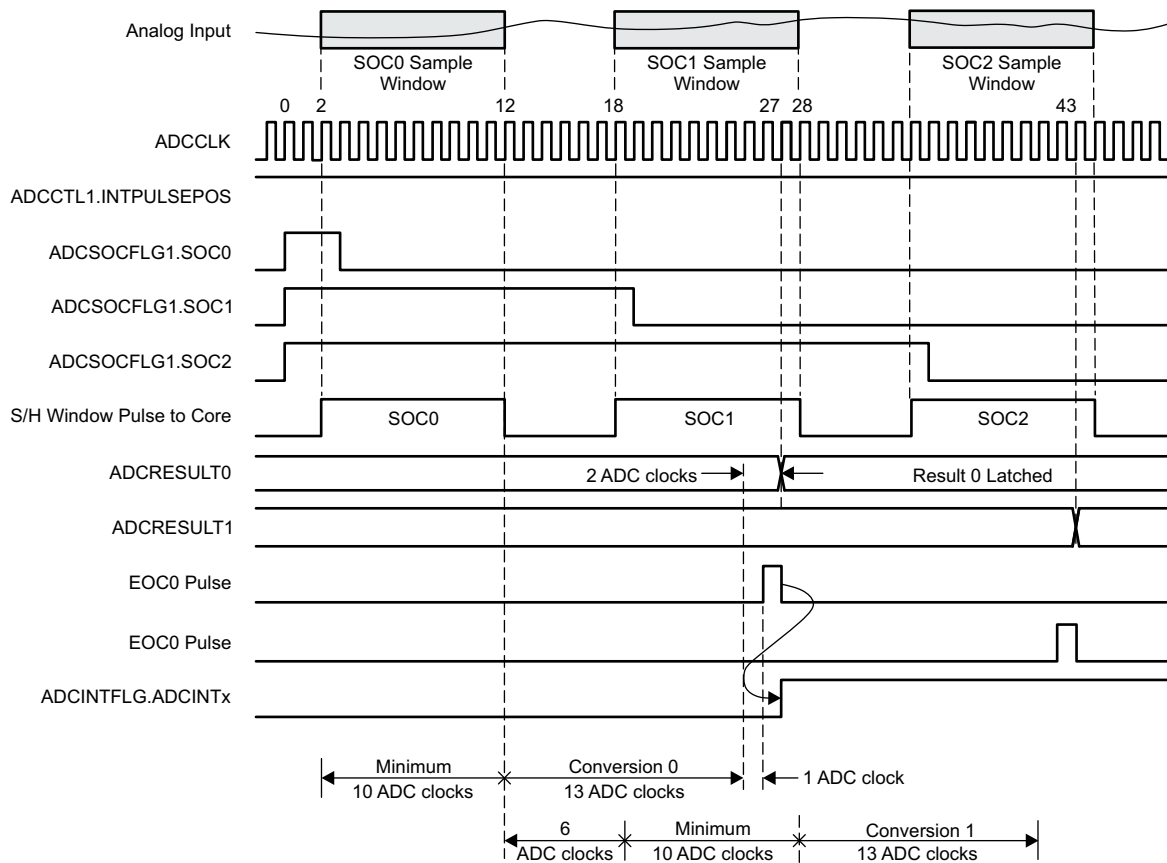


Typical Values of the Input Circuit Components:

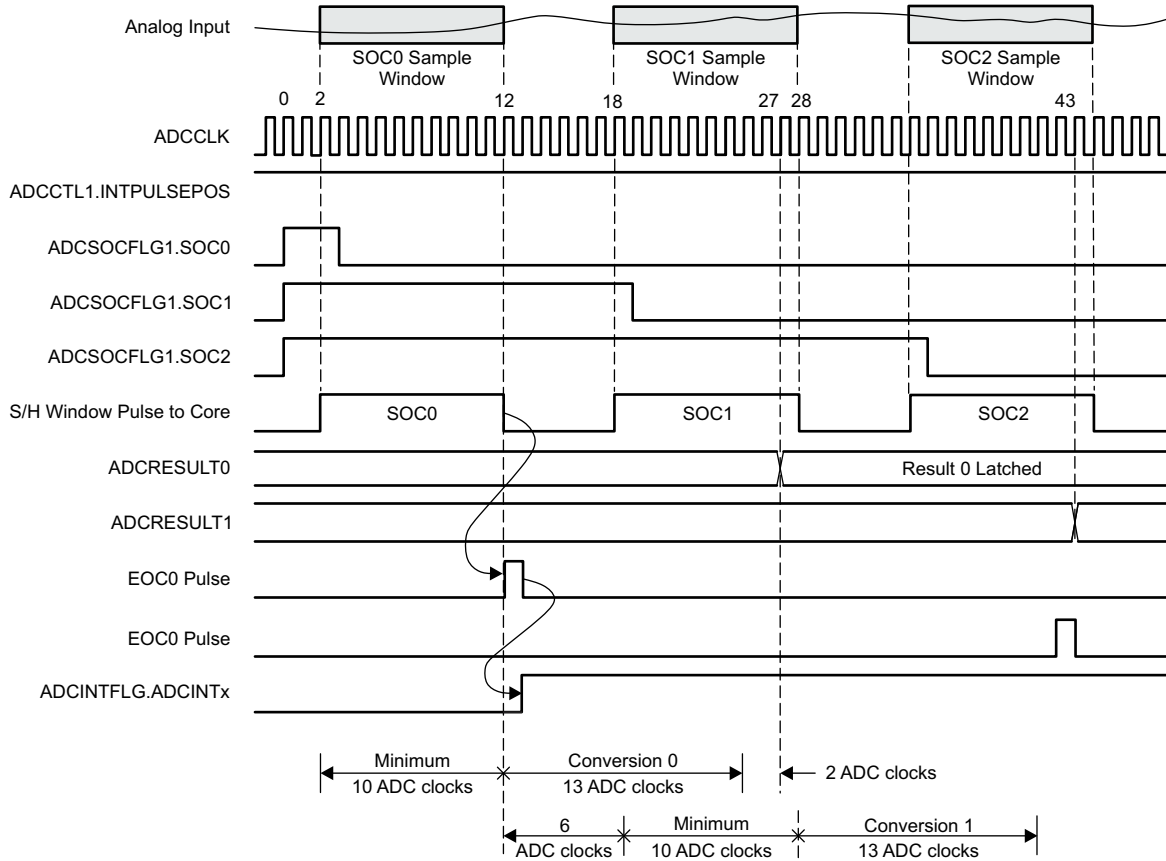
- Switch Resistance ( $R_{on}$ ): 3.4 k $\Omega$
- Sampling Capacitor ( $C_h$ ): 1.6 pF
- Parasitic Capacitance ( $C_p$ ): 5 pF
- Source Resistance ( $R_s$ ): 50  $\Omega$

Figure 8-19. ADC Input Impedance Model

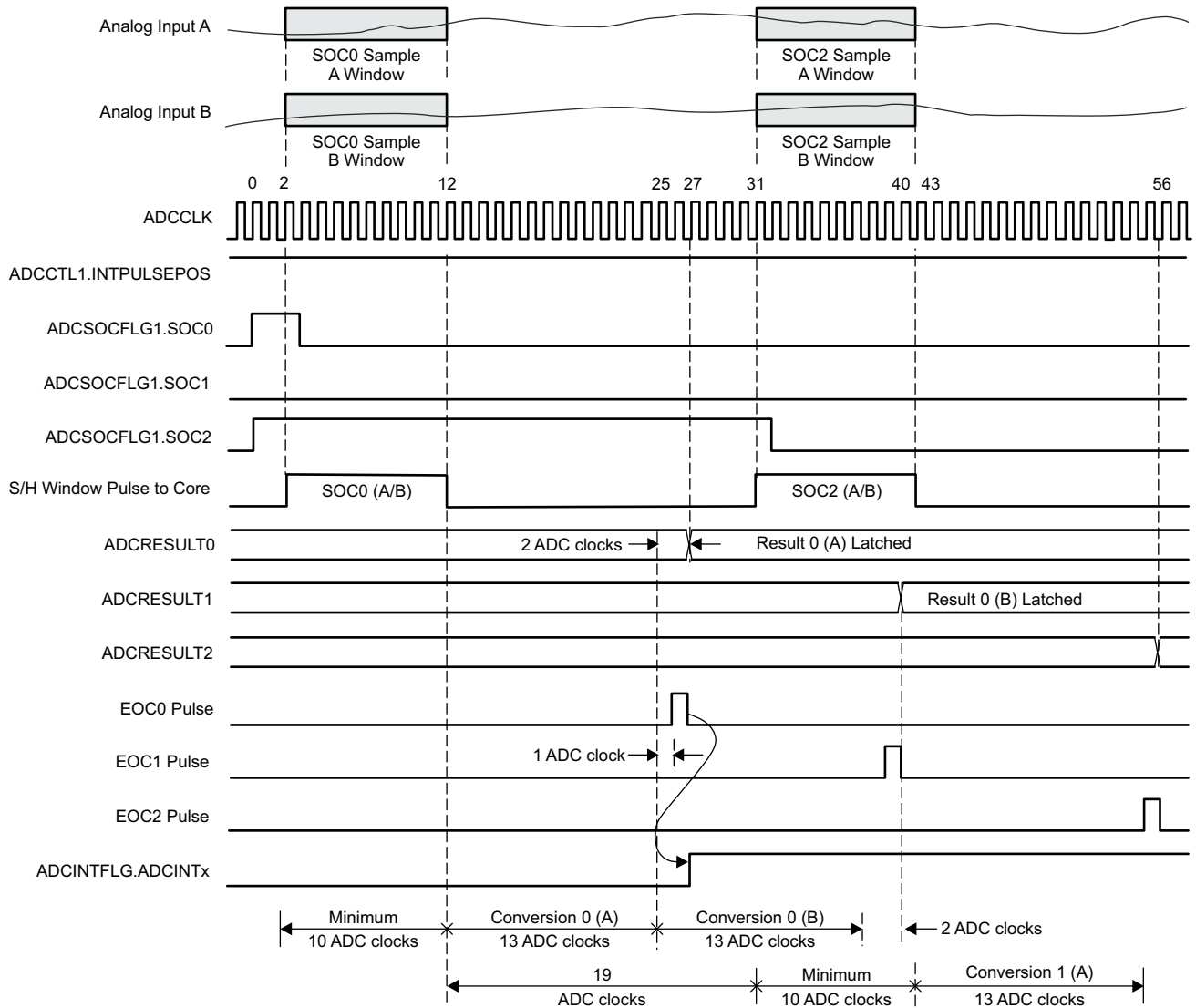
### 8.9.2.1.2.6 ADC Sequential and Simultaneous Timings



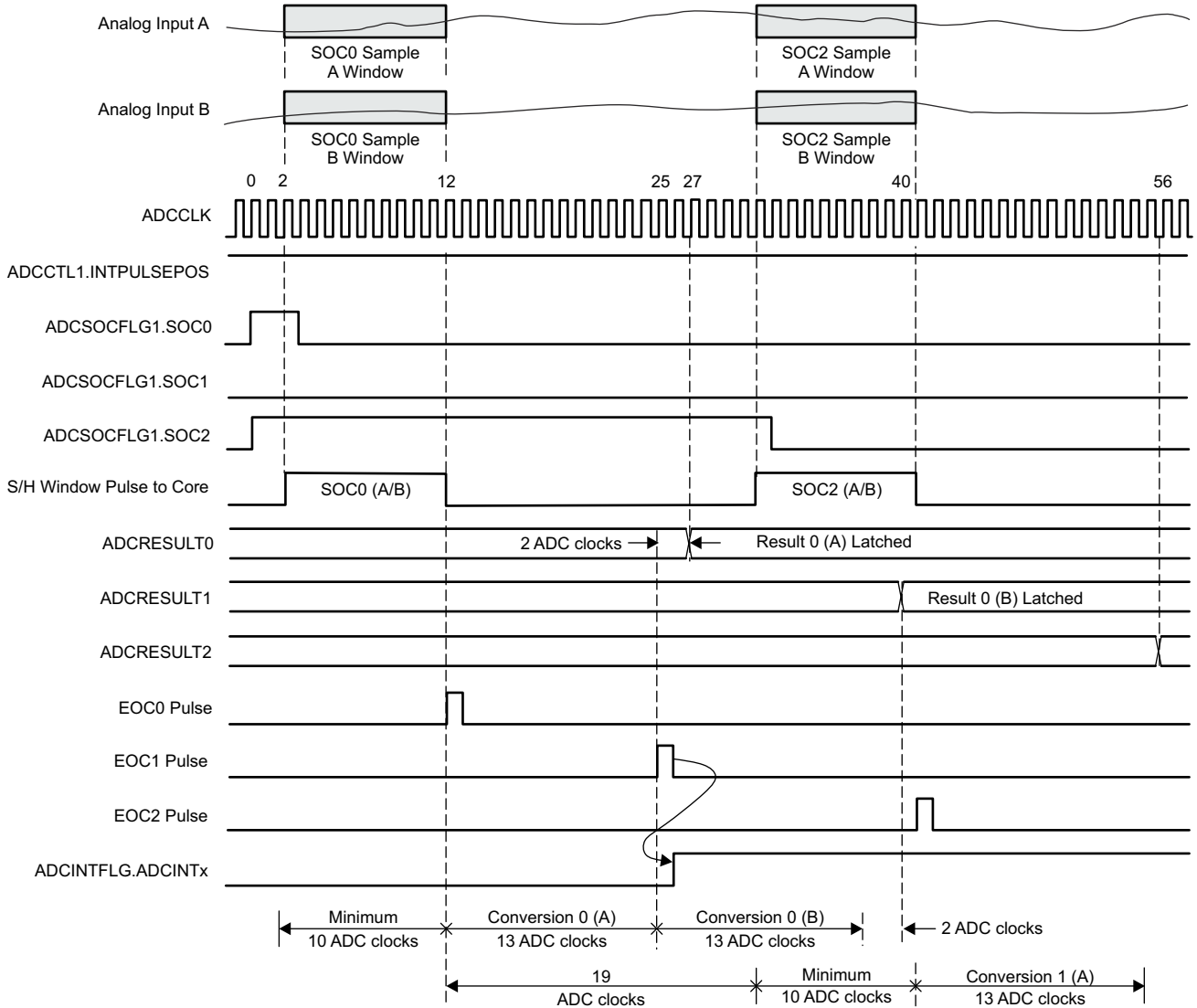
**Figure 8-20. Timing Example for Sequential Mode / Late Interrupt Pulse**



**Figure 8-21. Timing Example for Sequential Mode / Early Interrupt Pulse**



**Figure 8-22. Timing Example for Simultaneous Mode / Late Interrupt Pulse**



**Figure 8-23. Timing Example for Simultaneous Mode / Early Interrupt Pulse**

## 8.9.2.2 Analog Front End

### 8.9.2.2.1 AFE Device-Specific Information

The AFE contains up to seven comparators with up to three integrated DACs, one  $V_{REFOUT}$ -buffered DAC, up to four PGAs, and up to four digital filters. [Figure 8-24](#) and [Figure 8-25](#) show the AFE.

The comparator output signal filtering is achieved using the digital filter present on selective input line and qualifies the output of the COMP/DAC subsystem (see [Figure 8-27](#)). The filtered or unfiltered output of the COMP/DAC subsystem can be configured to be an input to the Digital Compare submodule of the ePWM peripheral.

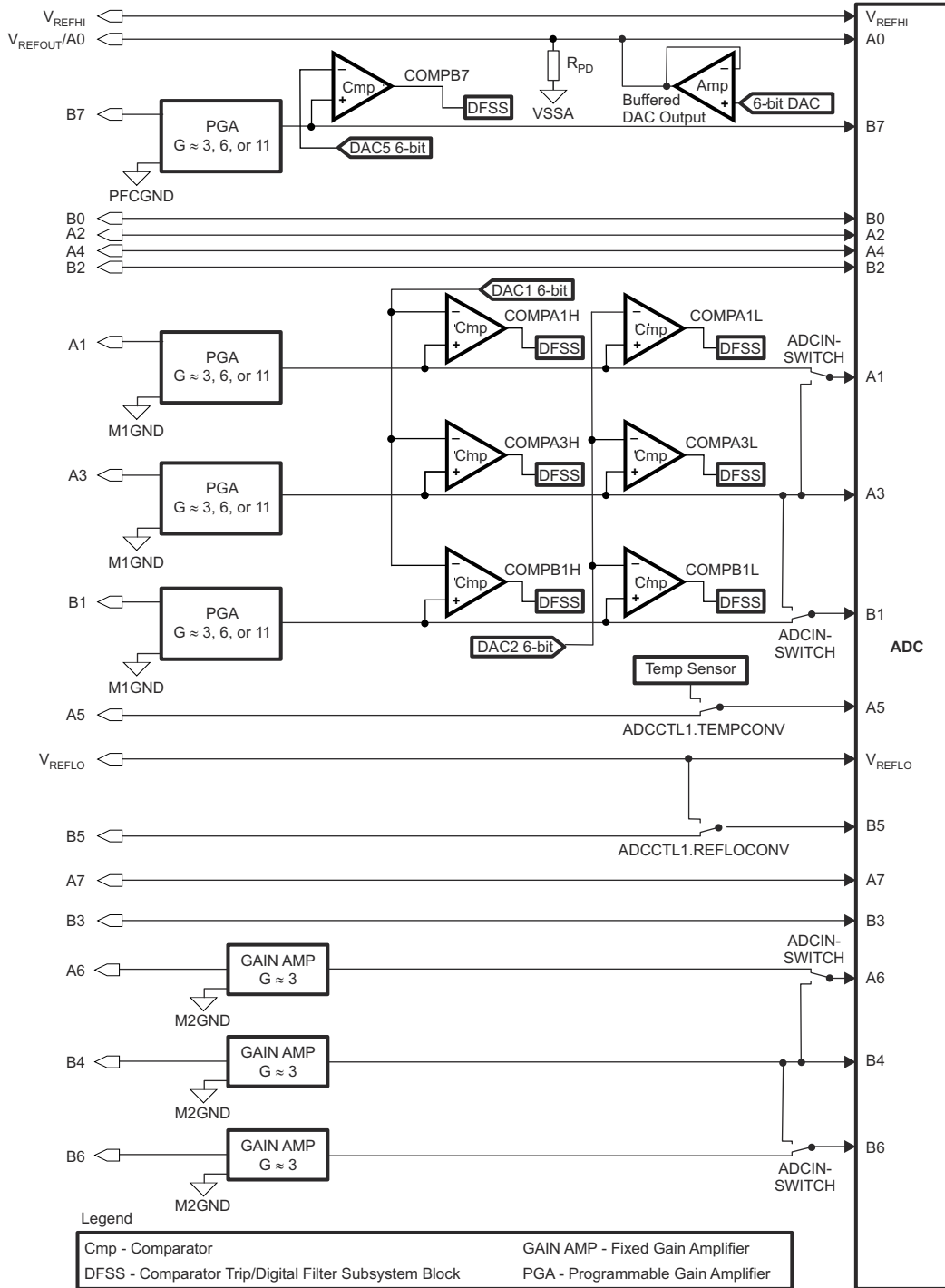
---

#### Note

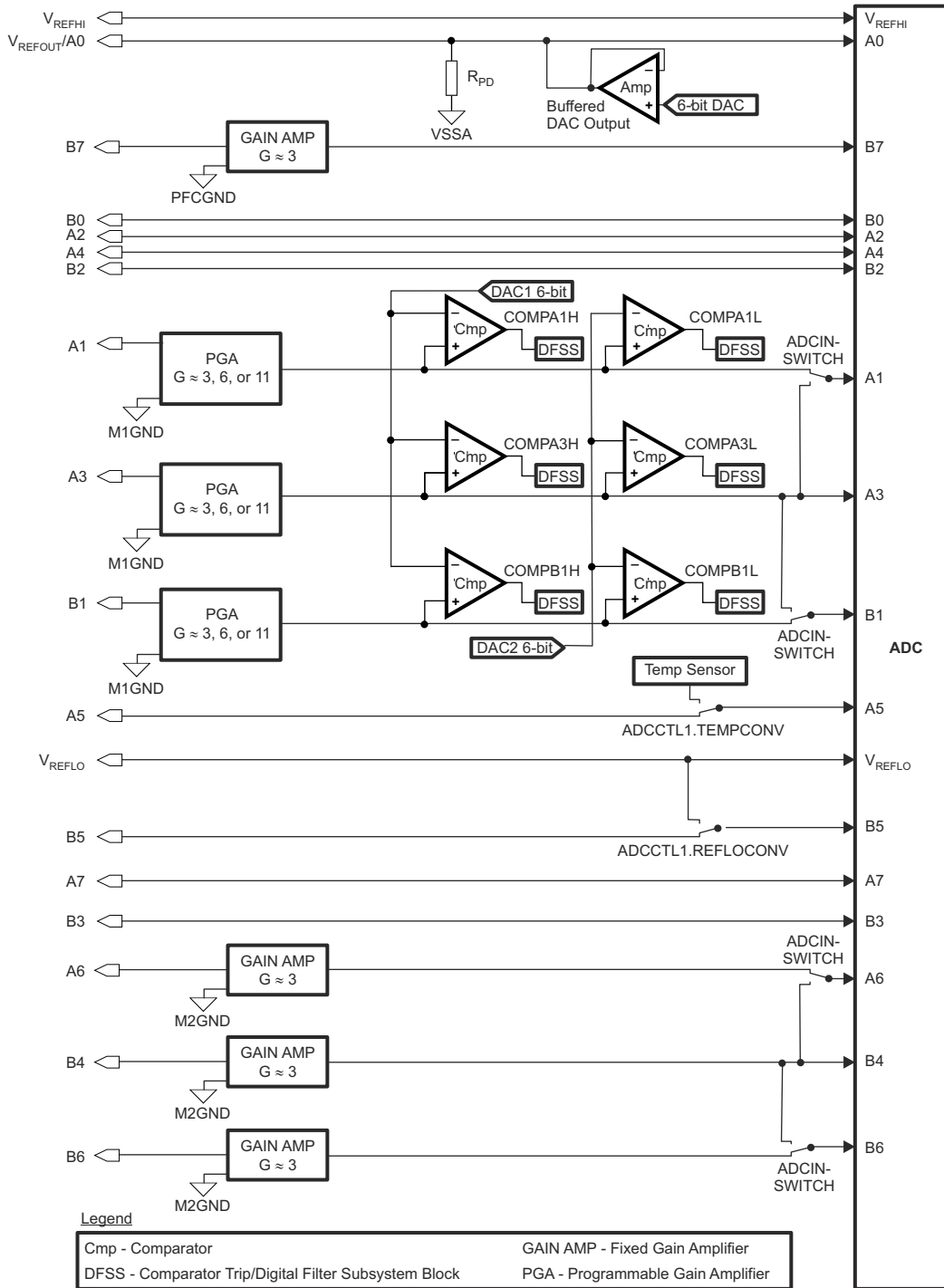
The analog inputs are brought in through the AFE subsystem rather than through an AIO Mux, which is not present.

---

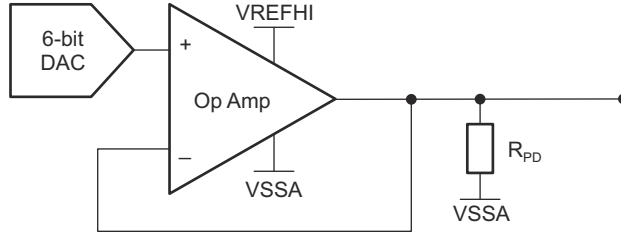
The ADCINSWITCH register is used to control ADC inputs dynamically, and the setting of this register is separate from the AFE and digital filter initialization.



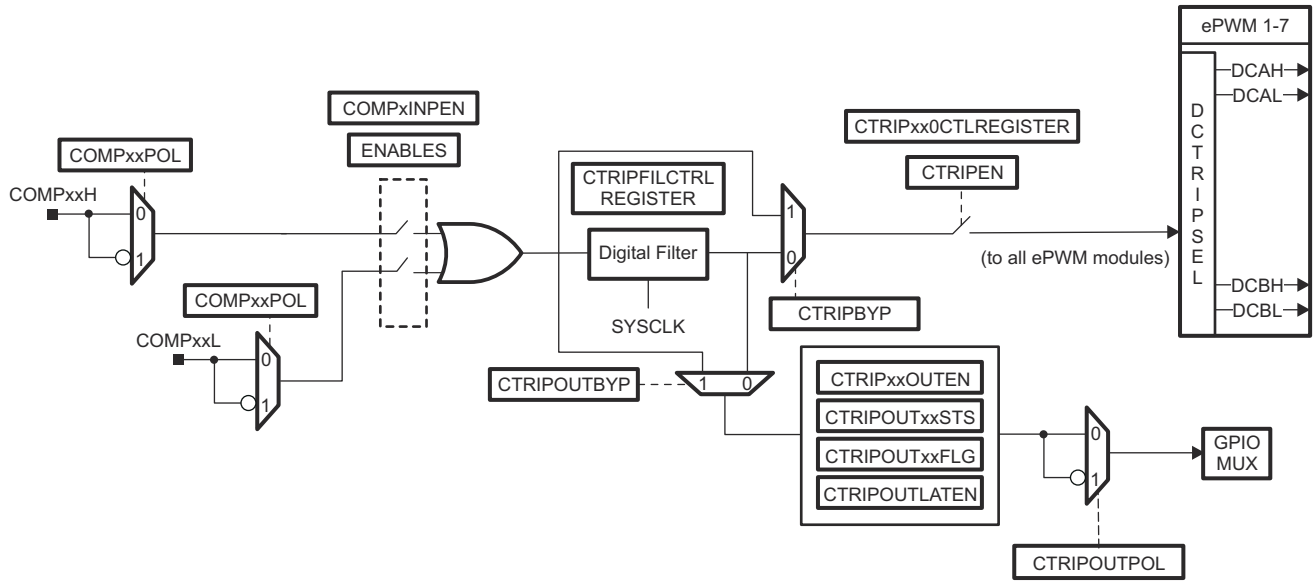
**Figure 8-24. 28055, 28054, 28053, 28052, and 28051 Analog Front End**



**Figure 8-25. 28050 Analog Front End**



**Figure 8-26. V<sub>REFOUT</sub>**



**Figure 8-27. Comparator Trip/Digital Filter Subsystem**

### 8.9.2.2.2 AFE Register Descriptions

**Table 8-31. DAC Control Registers**

| REGISTER NAME | ADDRESS | SIZE (x16) | EALLOW PROTECTED | DESCRIPTION                  |
|---------------|---------|------------|------------------|------------------------------|
| DAC1CTL       | 0x6400  | 1          | Yes              | DAC1 Control register        |
| DAC2CTL       | 0x6401  | 1          | Yes              | DAC2 Control register        |
| DAC5CTL       | 0x6404  | 1          | Yes              | DAC5 Control register        |
| VREFOUTCTL    | 0x6405  | 1          | Yes              | VREF Output Control Register |

**Table 8-32. DAC, PGA, Comparator, and Filter Enable Registers**

| REGISTER NAME | ADDRESS | SIZE (x16) | EALLOW PROTECTED | DESCRIPTION                                 |
|---------------|---------|------------|------------------|---|
| DACEN         | 0x6410  | 1          | Yes              | DAC Enables register                        |
| VREFOUTEN     | 0x6411  | 1          | Yes              | VREF Out Enable Register                    |
| PGAEN         | 0x6412  | 1          | Yes              | Programmable Gain Amplifier Enable register |
| COMPEN        | 0x6413  | 1          | Yes              | Comparator Enable register                  |
| AMPM1_GAIN    | 0x6414  | 1          | Yes              | Motor Unit 1 PGA Gain Controls register     |
| AMP_PFC_GAIN  | 0x6416  | 1          | Yes              | PFC PGA Gain Controls register              |

**Table 8-33. SWITCH Registers**

| REGISTER NAME | ADDRESS          | SIZE (x16) | EALLOW PROTECTED | DESCRIPTION                              |
|---------------|------------------|------------|------------------|--|
| ADCINSWITCH   | 0x6421           | 1          | Yes              | ADC Input-Select Switch Control register |
| Reserved      | 0x6422 to 0x6428 | 7          | Yes              | Reserved                                 |
| COMPHYSTCTL   | 0x6429           | 1          | Yes              | Comparator Hysteresis Control register   |

**Table 8-34. Digital Filter and Comparator Control Registers**

| REGISTER NAME    | ADDRESS          | SIZE (x16) | EALLOW PROTECTED | DESCRIPTION  |
|------------------|------------------|------------|------------------|--|
| CTRIPA1ICTL      | 0x6430           | 1          | Yes              | CTRIPA1 Filter Input and Function Control register |
| CTRIPA1FILCTL    | 0x6431           | 1          | Yes              | CTRIPA1 Filter Parameters register                 |
| CTRIPA1FILCLKCTL | 0x6432           | 1          | Yes              | CTRIPA1 Filter Sample Clock Control register       |
| Reserved         | 0x6433           | 1          | Yes              | Reserved   |
| CTRIPA3ICTL      | 0x6434           | 1          | Yes              | CTRIPA3 Filter Input and Function Control register |
| CTRIPA3FILCTL    | 0x6435           | 1          | Yes              | CTRIPA3 Filter Parameters register                 |
| CTRIPA3FILCLKCTL | 0x6436           | 1          | Yes              | CTRIPA3 Filter Sample Clock Control register       |
| Reserved         | 0x6437           | 1          | Yes              | Reserved   |
| CTRIPB1ICTL      | 0x6438           | 1          | Yes              | CTRIPB1 Filter Input and Function Control register |
| CTRIPB1FILCTL    | 0x6439           | 1          | Yes              | CTRIPB1 Filter Parameters register                 |
| CTRIPB1FILCLKCTL | 0x643A           | 1          | Yes              | CTRIPB1 Filter Sample Clock Control register       |
| Reserved         | 0x643B           | 1          | Yes              | Reserved   |
| Reserved         | 0x643C           | 1          | Yes              | Reserved   |
| CTRIPM1OCTL      | 0x643D           | 1          | Yes              | CTRIPM1 CTRIP Filter Output Control register       |
| CTRIPM1STS       | 0x643E           | 1          | Yes              | CTRIPM1 CTRIPxx Outputs Status register            |
| CTRIPM1FLGCLR    | 0x643F           | 1          | Yes              | CTRIPM1 CTRIPxx Flag Clear register                |
| Reserved         | 0x6440 to 0x645F | 16         | Yes              | Reserved   |

**Table 8-34. Digital Filter and Comparator Control Registers (continued)**

| REGISTER NAME    | ADDRESS          | SIZE (x16) | EALLOW PROTECTED | DESCRIPTION  |
|------------------|------------------|------------|------------------|--|
| Reserved         | 0x6460 to 0x646F | 16         | Yes              | Reserved   |
| CTRIPB7ICTL      | 0x6470           | 1          | Yes              | CTRIPB7 Filter Input and Function Control register |
| CTRIPB7FILCTL    | 0x6471           | 1          | Yes              | CTRIPB7 Filter Parameters register                 |
| CTRIPB7FILCLKCTL | 0x6472           | 1          | Yes              | CTRIPB7 Filter Sample Clock Control register       |
| Reserved         | 0x6473 to 0x647B | 9          | Yes              | Reserved   |
| Reserved         | 0x647C           | 1          | Yes              | Reserved   |
| CTRIPPFCOCTL     | 0x647D           | 1          | Yes              | CTRIPPFC CTRIPxx Outputs Status register           |
| CTRIPPFCSTS      | 0x647E           | 1          | Yes              | CTRIPPFC CTRIPxx Flag Clear register               |
| CTRIPPFCFLGCLR   | 0x647F           | 1          | Yes              | CTRIPPFC COMP Test Control register                |

**Table 8-35. LOCK Registers**

| REGISTER NAME | ADDRESS | SIZE (x16) | EALLOW PROTECTED | DESCRIPTION   |
|---------------|---------|------------|------------------|---|
| LOCKCTRIP     | 0x64F0  | 1          | Yes              | Lock Register for CTRIP Filters register              |
| Reserved      | 0x64F1  | 1          | Yes              | Reserved  |
| LOCKDAC       | 0x64F2  | 1          | Yes              | Lock Register for DACs register                       |
| Reserved      | 0x64F3  | 1          | Yes              | Reserved  |
| LOCKAMPCOMP   | 0x64F4  | 1          | Yes              | Lock Register for Amplifiers and Comparators register |
| Reserved      | 0x64F5  | 1          | Yes              | Reserved  |
| LOCKSWITCH    | 0x64F6  | 1          | Yes              | Lock Register for Switches register                   |

### 8.9.2.2.3 PGA Electrical Data/Timing

**Table 8-36. Op-Amp Linear Output and ADC Sampling Time Across Gain Settings**

| INTERNAL RESISTOR RATIO | EQUIVALENT GAIN FROM INPUT TO OUTPUT | LINEAR OUTPUT RANGE OF OP-AMP | MINIMUM ADC SAMPLING TIME TO ACHIEVE SETTLING ACCURACY |
|-------------------------|--------------------------------------|-------------------------------|--|
| 10                      | 11                                   | 0.6 V to $V_{DDA} - 0.6$ V    | 384 ns (ACQPS = 23)                                    |
| 5                       | 6                                    | 0.6 V to $V_{DDA} - 0.6$ V    | 384 ns (ACQPS = 23)                                    |
| 2                       | 3                                    | 0.6 V to $V_{DDA} - 0.6$ V    | 384 ns (ACQPS = 23)                                    |

**Table 8-37. PGA Gain Stage: DC Accuracy Across Gain Settings**

| INTERNAL RESISTOR RATIO | EQUIVALENT GAIN FROM INPUT TO OUTPUT | COMPENSATED GAIN-ERROR ACROSS TEMPERATURE AND SUPPLY VARIATIONS | COMPENSATED INPUT OFFSET-ERROR ACROSS TEMPERATURE AND SUPPLY VARIATIONS IN mV |
|-------------------------|--------------------------------------|---|---|
| 10                      | 11                                   | < $\pm 2.5\%$   | < $\pm 8$ mV  |
| 5                       | 6                                    | < $\pm 1.5\%$   | < $\pm 8$ mV  |
| 2                       | 3                                    | < $\pm 1.0\%$   | < $\pm 8$ mV  |

### 8.9.2.2.4 Comparator Block Electrical Data/Timing

#### 8.9.2.2.4.1 Electrical Characteristics of the Comparator/DAC

| PARAMETER  | MIN                       | TYP | MAX | UNITS |
|--|---------------------------|-----|-----|-------|
| <b>Comparator</b>  |                           |     |     |       |
| Comparator Input Range                                       | $V_{SSA} - V_{DDA}$       |     |     | V     |
| Comparator response time to PWM Trip Zone (Async)            | 65                        |     |     | ns    |
| Comparator large step response time to PWM Trip Zone (Async) | 95                        |     |     | ns    |
| <b>DAC</b>   |                           |     |     |       |
| DAC Output Range   | $V_{DDA} / 2^6 - V_{DDA}$ |     |     | V     |
| DAC resolution   | 6                         |     |     | bits  |
| DAC Gain   | -1.5%                     |     |     |       |
| DAC Offset   | 10                        |     |     | mV    |
| Monotonic  | Yes                       |     |     |       |
| INL  | 0.2                       |     |     | LSB   |

### 8.9.2.2.5 $V_{REFOUT}$ Buffered DAC Electrical Data

#### 8.9.2.2.5.1 Electrical Characteristics of $V_{REFOUT}$ Buffered DAC

| PARAMETER                       | MIN | TYP       | MAX | UNITS      |
|---------------------------------|-----|-----------|-----|------------|
| $V_{REFOUT}$ Programmable Range | 6   |           | 56  | LSB        |
| $V_{REFOUT}$ resolution         |     | 6         |     | bits       |
| $V_{REFOUT}$ Gain               |     | -1.5%     |     |            |
| $V_{REFOUT}$ Offset             |     | 10        |     | mV         |
| Monotonic                       |     | Yes       |     |            |
| INL                             |     | $\pm 0.2$ |     | LSB        |
| Load                            | 3   |           |     | k $\Omega$ |
|                                 |     |           | 100 | pF         |
| $R_{PD}$                        |     | 20        |     | k $\Omega$ |

## 8.9.3 Detailed Descriptions

### Integral Nonlinearity

Integral nonlinearity refers to the deviation of each individual code from a line drawn from zero through full scale. The point used as zero occurs one-half LSB before the first code transition. The full-scale point is defined as level one-half LSB beyond the last code transition. The deviation is measured from the center of each particular code to the true straight line between these two points.

### Differential Nonlinearity

An ideal ADC exhibits code transitions that are exactly 1 LSB apart. DNL is the deviation from this ideal value. A differential nonlinearity error of less than  $\pm 1$  LSB ensures no missing codes.

### Zero Offset

Zero error is the difference between the ideal input voltage and the actual input voltage that just causes a transition from an output code of zero to an output code of one.

### Gain Error

The first code transition should occur at an analog value one-half LSB above negative full scale. The last transition should occur at an analog value one and one-half LSB below the nominal full scale. Gain error is the deviation of the actual difference between first and last code transitions and the ideal difference between first and last code transitions.

### Signal-to-Noise Ratio + Distortion

Signal-to-noise ratio + distortion (SINAD) is the ratio of the rms value of the measured input signal to the rms sum of all other spectral components below the Nyquist frequency, including harmonics but excluding DC. The value for SINAD is expressed in decibels.

### Effective Number of Bits

For a sine wave, SINAD can be expressed in terms of the number of bits. Using the formula 
$$N = \frac{(\text{SINAD} - 1.76)}{6.02}$$
 it is possible to get a measure of performance expressed as N, the effective number of bits (ENOB). Thus, the ENOB for a device for sine wave inputs at a given input frequency can be calculated directly from its measured SINAD.

### Total Harmonic Distortion

Total harmonic distortion (THD) is the ratio of the rms sum of the first nine harmonic components to the rms value of the measured input signal and is expressed as a percentage or in decibels.

### Spurious Free Dynamic Range

Spurious free dynamic range (SFDR) is the difference in dB between the rms amplitude of the input signal and the peak spurious signal.

## 8.9.4 Serial Peripheral Interface

### 8.9.4.1 SPI Device-Specific Information

The device includes the four-pin SPI module. The SPI is a high-speed, synchronous serial I/O port that allows a serial bit stream of programmed length (1 to 16 bits) to be shifted into and out of the device at a programmable bit-transfer rate. Normally, the SPI is used for communications between the MCU and external peripherals or another processor. Typical applications include external I/O or peripheral expansion through devices such as shift registers, display drivers, and ADCs. Multidevice communications are supported by the master/slave operation of the SPI.

The SPI module features include:

- Four external pins:
  - SPISOMI: SPI slave-output/master-input pin
  - SPISIMO: SPI slave-input/master-output pin
  - $\overline{\text{SPISTE}}$ : SPI slave transmit-enable pin
  - SPICLK: SPI serial-clock pin

---

#### Note

All four pins can be used as GPIO if the SPI module is not used.

---

- Two operational modes: master and slave

Baud rate: 125 different programmable rates.

$$\text{Baud rate} = \frac{\text{LSPCLK}}{(\text{SPIBRR} + 1)} \quad \text{when SPIBRR} = 3 \text{ to } 127$$

$$\text{Baud rate} = \frac{\text{LSPCLK}}{4} \quad \text{when SPIBRR} = 0, 1, 2$$

- Data word length: 1 to 16 data bits
- Four clocking schemes (controlled by clock polarity and clock phase bits) include:
  - Falling edge without phase delay: SPICLK active-high. SPI transmits data on the falling edge of the SPICLK signal and receives data on the rising edge of the SPICLK signal.
  - Falling edge with phase delay: SPICLK active-high. SPI transmits data one half-cycle ahead of the falling edge of the SPICLK signal and receives data on the falling edge of the SPICLK signal.
  - Rising edge without phase delay: SPICLK inactive-low. SPI transmits data on the rising edge of the SPICLK signal and receives data on the falling edge of the SPICLK signal.
  - Rising edge with phase delay: SPICLK inactive-low. SPI transmits data one half-cycle ahead of the rising edge of the SPICLK signal and receives data on the rising edge of the SPICLK signal.
- Simultaneous receive and transmit operation (transmit function can be disabled in software)
- Transmitter and receiver operations are accomplished through either interrupt-driven or polled algorithms.
- Nine SPI module control registers: Located in control register frame beginning at address 7040h.

---

#### Note

All registers in this module are 16-bit registers that are connected to Peripheral Frame 2. When a register is accessed, the register data is in the lower byte (7–0), and the upper byte (15–8) is read as zeros. Writing to the upper byte has no effect.

---



### 8.9.4.2 SPI Register Descriptions

The SPI port operation is configured and controlled by the registers listed in [Table 8-38](#).

**Table 8-38. SPI-A Registers**

| NAME     | ADDRESS | SIZE (×16) | EALLOW PROTECTED | DESCRIPTION <sup>(1)</sup>              |
|----------|---------|------------|------------------|---|
| SPICCR   | 0x7040  | 1          | No               | SPI-A Configuration Control register    |
| SPICTL   | 0x7041  | 1          | No               | SPI-A Operation Control register        |
| SPISTS   | 0x7042  | 1          | No               | SPI-A Status register                   |
| SPIBRR   | 0x7044  | 1          | No               | SPI-A Baud Rate register                |
| SPIRXEMU | 0x7046  | 1          | No               | SPI-A Receive Emulation Buffer register |
| SPIRXBUF | 0x7047  | 1          | No               | SPI-A Serial Input Buffer register      |
| SPITXBUF | 0x7048  | 1          | No               | SPI-A Serial Output Buffer register     |
| SPIDAT   | 0x7049  | 1          | No               | SPI-A Serial Data register              |
| SPIFFTX  | 0x704A  | 1          | No               | SPI-A FIFO Transmit register            |
| SPIFFRX  | 0x704B  | 1          | No               | SPI-A FIFO Receive register             |
| SPIFFCT  | 0x704C  | 1          | No               | SPI-A FIFO Control register             |
| SPIPRI   | 0x704F  | 1          | No               | SPI-A Priority Control register         |

- (1) Registers in this table are mapped to Peripheral Frame 2. This space only allows 16-bit accesses. 32-bit accesses produce undefined results.



### 8.9.4.3.2 SPI Master Mode External Timing (Clock Phase = 1)

| NO. | PARAMETER <sup>(1) (2) (3) (4) (5)</sup>                          | BRR EVEN                             |                       | BRR ODD                                  |  | UNIT |
|-----|---|--------------------------------------|-----------------------|--|--|------|
|     |   | MIN                                  | MAX                   | MIN                                      | MAX                                      |      |
| 1   | $t_{c(SPC)M}$ Cycle time, SPICLK                                  | $4t_{c(LSPCLK)}$                     | $128t_{c(LSPCLK)}$    | $5t_{c(LSPCLK)}$                         | $127t_{c(LSPCLK)}$                       | ns   |
| 2   | $t_{w(SPC1)M}$ Pulse duration, SPICLK first pulse                 | $0.5t_{c(SPC)M} - 10$                | $0.5t_{c(SPC)M} + 10$ | $0.5t_{c(SPC)M} - 0.5t_{c(LSPCLK)} - 10$ | $0.5t_{c(SPC)M} - 0.5t_{c(LSPCLK)} + 10$ | ns   |
| 3   | $t_{w(SPC2)M}$ Pulse duration, SPICLK second pulse                | $0.5t_{c(SPC)M} - 10$                | $0.5t_{c(SPC)M} + 10$ | $0.5t_{c(SPC)M} + 0.5t_{c(LSPCLK)} - 10$ | $0.5t_{c(SPC)M} + 0.5t_{c(LSPCLK)} + 10$ | ns   |
| 6   | $t_{d(SIMO)M}$ Delay time, SPISIMO valid to SPICLK                | $0.5t_{c(SPC)M} - 10$                |                       | $0.5t_{c(SPC)M} + 0.5t_{c(LSPCLK)} - 10$ |  | ns   |
| 7   | $t_{v(SIMO)M}$ Valid time, SPISIMO valid after SPICLK             | $0.5t_{c(SPC)M} - 10$                |                       | $0.5t_{c(SPC)M} - 0.5t_{c(LSPCLK)} - 10$ |  | ns   |
| 10  | $t_{su(SOMI)M}$ Setup time, SPISOMI before SPICLK                 | 26                                   |                       | 26                                       |  | ns   |
| 11  | $t_{h(SOMI)M}$ Hold time, SPISOMI valid after SPICLK              | 0                                    |                       | 0  |  | ns   |
| 23  | $t_{d(SPC)M}$ Delay time, SPIS $\overline{T}E$ active to SPICLK   | $2t_{c(SPC)M} - 3t_{c(SYSCLK)} - 10$ |                       | $2t_{c(SPC)M} - 3t_{c(SYSCLK)} - 10$     |  | ns   |
| 24  | $t_{d(STE)M}$ Delay time, SPICLK to SPIS $\overline{T}E$ inactive | $0.5t_{c(SPC)} - 10$                 |                       | $0.5t_{c(SPC)} - 0.5t_{c(LSPCLK)} - 10$  |  | ns   |

- (1) The MASTER/SLAVE bit (SPICTL.2) is set and the CLOCK PHASE bit (SPICTL.3) is set.
- (2)  $t_{c(SPC)} = \text{SPI clock cycle time} = \text{LSPCLK}/4$  or  $\text{LSPCLK}/(\text{SPIBRR} + 1)$
- (3) Internal clock prescalers must be adjusted such that the SPI clock speed is limited to the following SPI clock rate:  
 Master mode transmit 25-MHz MAX, master mode receive 12.5-MHz MAX  
 Slave mode transmit 12.5-MHz MAX, slave mode receive 12.5-MHz MAX.
- (4)  $t_{c(LCO)} = \text{LSPCLK cycle time}$
- (5) The active edge of the SPICLK signal referenced is controlled by the CLOCK POLARITY bit (SPICCR.6).

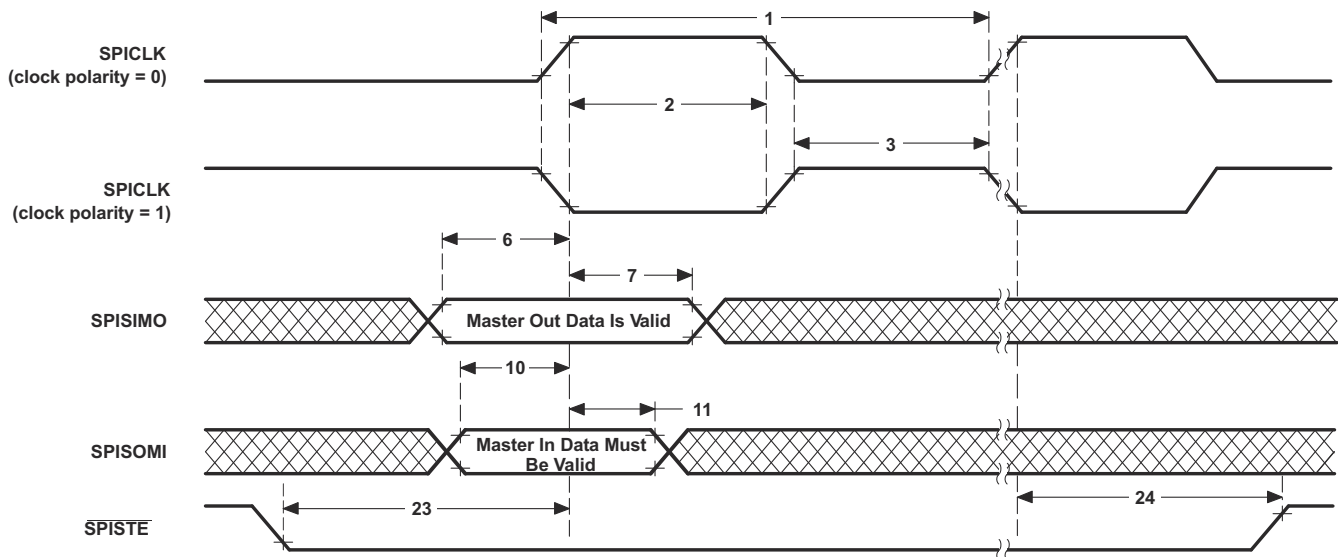


Figure 8-30. SPI Master Mode External Timing (Clock Phase = 1)



### 8.9.4.4.2 SPI Slave Mode External Timing (Clock Phase = 1)

| NO. | PARAMETER <sup>(1) (2) (3) (4) (5)</sup> |  | MIN                  | MAX | UNIT |
|-----|--|--|----------------------|-----|------|
| 12  | $t_{c(SPC)}S$                            | Cycle time, SPICLK                                   | $4t_{c(SYSCLK)}$     |     | ns   |
| 13  | $t_{w(SPC1)}S$                           | Pulse duration, SPICLK first pulse                   | $2t_{c(SYSCLK)} - 1$ |     | ns   |
| 14  | $t_{w(SPC2)}S$                           | Pulse duration, SPICLK second pulse                  | $2t_{c(SYSCLK)} - 1$ |     | ns   |
| 17  | $t_{d(SOMI)}S$                           | Delay time, SPICLK to SPISOMI valid                  |                      | 21  | ns   |
| 18  | $t_{v(SOMI)}S$                           | Valid time, SPISOMI data valid after SPICLK          | 0                    |     | ns   |
| 21  | $t_{su(SIMO)}S$                          | Setup time, SPISIMO valid before SPICLK              | $1.5t_{c(SYSCLK)}$   |     | ns   |
| 22  | $t_{h(SIMO)}S$                           | Hold time, SPISIMO data valid after SPICLK           | $1.5t_{c(SYSCLK)}$   |     | ns   |
| 25  | $t_{su(STE)}S$                           | Setup time, $\overline{SPISTE}$ active before SPICLK | $1.5t_{c(SYSCLK)}$   |     | ns   |
| 26  | $t_{h(STE)}S$                            | Hold time, $\overline{SPISTE}$ inactive after SPICLK | $1.5t_{c(SYSCLK)}$   |     | ns   |

- (1) The MASTER / SLAVE bit (SPICTL.2) is cleared and the CLOCK PHASE bit (SPICTL.3) is cleared.
- (2)  $t_{c(SPC)} = \text{SPI clock cycle time} = \text{LSPCLK}/4$  or  $\text{LSPCLK}/(\text{SPIBRR} + 1)$
- (3)  $t_{c(LCO)} = \text{LSPCLK cycle time}$
- (4) Internal clock prescalers must be adjusted such that the SPI clock speed is limited to the following SPI clock rate:  
 Master mode transmit 25-MHz MAX, master mode receive 12.5-MHz MAX  
 Slave mode transmit 12.5-MHz MAX, slave mode receive 12.5-MHz MAX.
- (5) The active edge of the SPICLK signal referenced is controlled by the CLOCK POLARITY bit (SPICCR.6).

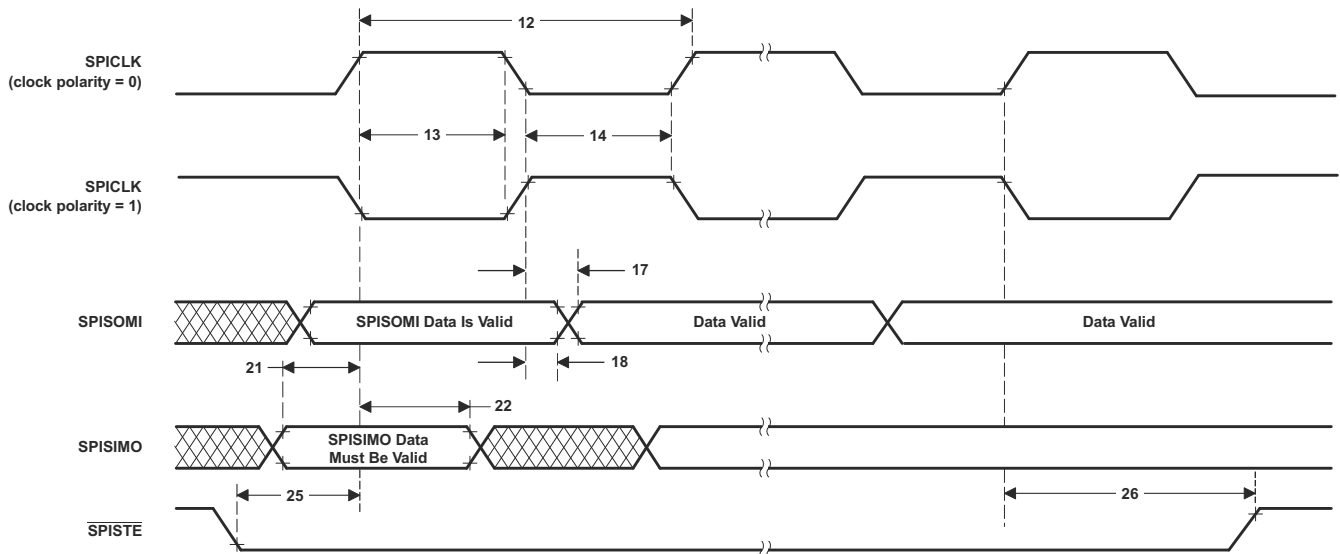


Figure 8-32. SPI Slave Mode External Timing (Clock Phase = 1)

## 8.9.5 Serial Communications Interface

### 8.9.5.1 SCI Device-Specific Information

The 2805x devices include three SCI modules (SCI-A, SCI-B, SCI-C). Each SCI module supports digital communications between the CPU and other asynchronous peripherals that use the standard non-return-to-zero (NRZ) format. The SCI receiver and transmitter are double-buffered, and each has its own separate enable and interrupt bits. Both can be operated independently or simultaneously in the full-duplex mode. To ensure data integrity, the SCI checks received data for break detection, parity, overrun, and framing errors. The bit rate is programmable to over 65000 different speeds through a 16-bit baud-select register.

Features of each SCI module include:

- Two external pins:
  - SCITXD: SCI transmit-output pin
  - SCIRXD: SCI receive-input pin

---

#### Note

Both pins can be used as GPIO if not used for SCI.

---

- Baud rate programmable to 64K different rates:

$$\text{Baud rate} = \frac{\text{LSPCLK}}{(\text{BRR} + 1) * 8} \quad \text{when BRR} \neq 0$$

$$\text{Baud rate} = \frac{\text{LSPCLK}}{16} \quad \text{when BRR} = 0$$

- Data-word format
  - One start bit
  - Data-word length programmable from 1 to 8 bits
  - Optional even/odd/no parity bit
  - 1 or 2 stop bits
- Four error-detection flags: parity, overrun, framing, and break detection
- Two wake-up multiprocessor modes: idle-line and address bit
- Half- or full-duplex operation
- Double-buffered receive and transmit functions
- Transmitter and receiver operations can be accomplished through interrupt-driven or polled algorithms with status flags.
  - Transmitter: TXRDY flag (transmitter-buffer register is ready to receive another character) and TX EMPTY flag (transmitter-shift register is empty)
  - Receiver: RXRDY flag (receiver-buffer register is ready to receive another character), BRKDT flag (break condition occurred), and RX ERROR flag (monitoring four interrupt conditions)
- Separate enable bits for transmitter and receiver interrupts (except BRKDT)
- NRZ format

---

#### Note

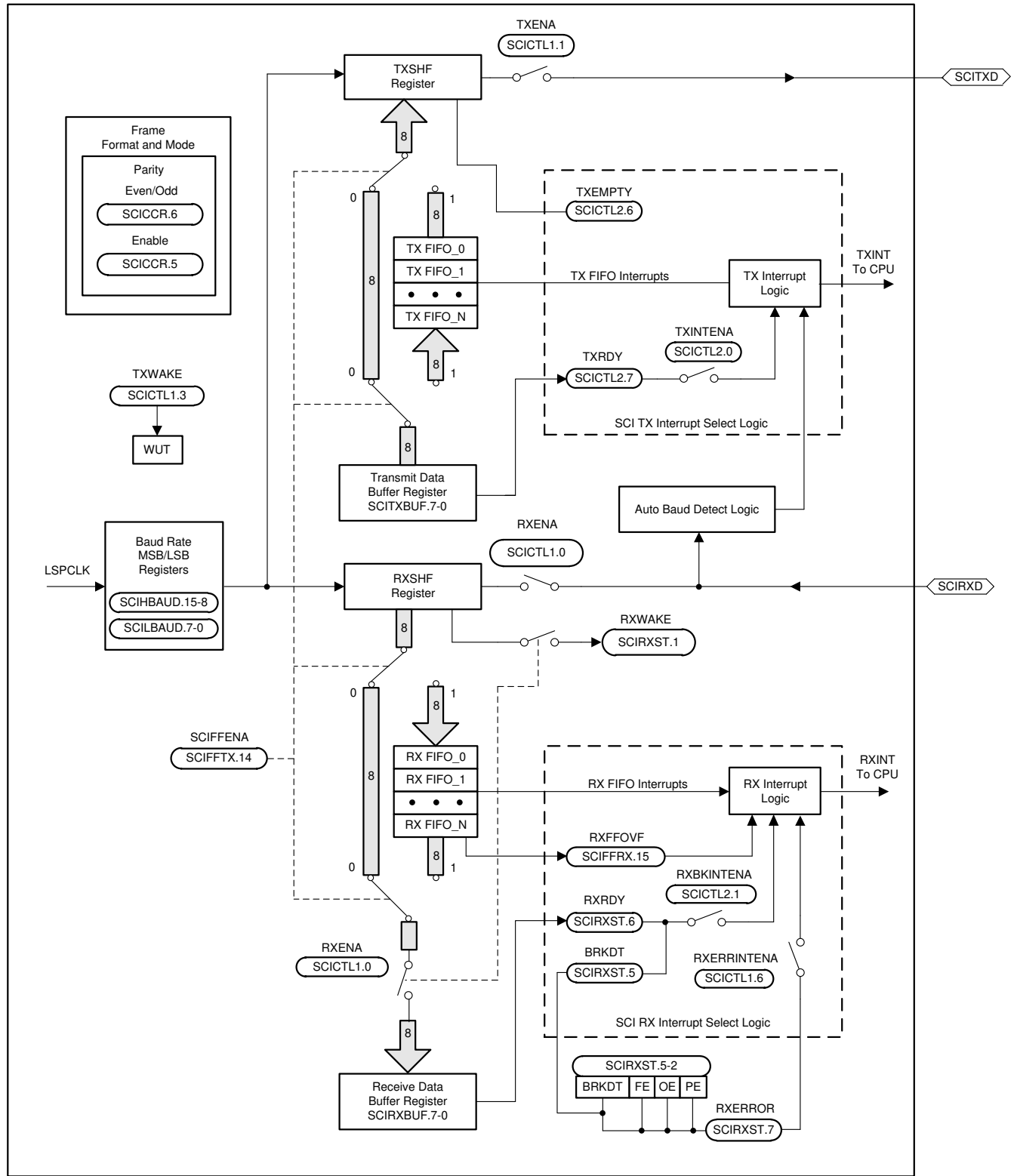
All registers in this module are 8-bit registers that are connected to Peripheral Frame 2. When a register is accessed, the register data is in the lower byte (7–0), and the upper byte (15–8) is read as zeros. Writing to the upper byte has no effect.

---

Enhanced features:

- Auto baud-detect hardware logic
- 4-level transmit/receive FIFO

Figure 8-33 shows the SCI module block diagram.



**Figure 8-33. SCI Module Block Diagram**

### 8.9.5.2 SCI Register Descriptions

The SCI port operation is configured and controlled by the registers listed in [Table 8-39](#), [Table 8-40](#), and [Table 8-41](#).

**Table 8-39. SCI-A Registers**

| NAME <sup>(1)</sup>     | ADDRESS | SIZE (×16) | EALLOW PROTECTED | DESCRIPTION                                  |
|-------------------------|---------|------------|------------------|--|
| SCIC CRA                | 0x7050  | 1          | No               | SCI-A Communications Control register        |
| SCICTL1A                | 0x7051  | 1          | No               | SCI-A Control Register 1                     |
| SCIHBAUDA               | 0x7052  | 1          | No               | SCI-A Baud register, high bits               |
| SCILBAUDA               | 0x7053  | 1          | No               | SCI-A Baud register, low bits                |
| SCICTL2A                | 0x7054  | 1          | No               | SCI-A Control Register 2                     |
| SCIRXSTA                | 0x7055  | 1          | No               | SCI-A Receive Status register                |
| SCIRXEMUA               | 0x7056  | 1          | No               | SCI-A Receive Emulation Data Buffer register |
| SCIRXBUFA               | 0x7057  | 1          | No               | SCI-A Receive Data Buffer register           |
| SCITXBUFA               | 0x7059  | 1          | No               | SCI-A Transmit Data Buffer register          |
| SCIFFTXA <sup>(2)</sup> | 0x705A  | 1          | No               | SCI-A FIFO Transmit register                 |
| SCIFFRXA <sup>(2)</sup> | 0x705B  | 1          | No               | SCI-A FIFO Receive register                  |
| SCIFFCTA <sup>(2)</sup> | 0x705C  | 1          | No               | SCI-A FIFO Control register                  |
| SCIPRIA                 | 0x705F  | 1          | No               | SCI-A Priority Control register              |

- (1) Registers in this table are mapped to Peripheral Frame 2 space. This space only allows 16-bit accesses. All 32-bit accesses produce undefined results.
- (2) These registers are new registers for the FIFO mode.

**Table 8-40. SCI-B Registers**

| NAME <sup>(1)</sup>     | ADDRESS | SIZE (×16) | EALLOW PROTECTED | DESCRIPTION                                  |
|-------------------------|---------|------------|------------------|--|
| SCIC CRB                | 0x7750  | 1          | No               | SCI-B Communications Control register        |
| SCICTL1B                | 0x7751  | 1          | No               | SCI-B Control Register 1                     |
| SCIHBAUDB               | 0x7752  | 1          | No               | SCI-B Baud register, high bits               |
| SCILBAUDB               | 0x7753  | 1          | No               | SCI-B Baud register, low bits                |
| SCICTL2B                | 0x7754  | 1          | No               | SCI-B Control Register 2                     |
| SCIRXSTB                | 0x7755  | 1          | No               | SCI-B Receive Status register                |
| SCIRXEMUB               | 0x7756  | 1          | No               | SCI-B Receive Emulation Data Buffer register |
| SCIRXBUFB               | 0x7757  | 1          | No               | SCI-B Receive Data Buffer register           |
| SCITXBUFB               | 0x7759  | 1          | No               | SCI-B Transmit Data Buffer register          |
| SCIFFTXB <sup>(2)</sup> | 0x775A  | 1          | No               | SCI-B FIFO Transmit register                 |
| SCIFFRXB <sup>(2)</sup> | 0x775B  | 1          | No               | SCI-B FIFO Receive register                  |
| SCIFFCTB <sup>(2)</sup> | 0x775C  | 1          | No               | SCI-B FIFO Control register                  |
| SCIPRIB                 | 0x775F  | 1          | No               | SCI-B Priority Control register              |

- (1) Registers in this table are mapped to Peripheral Frame 2 space. This space only allows 16-bit accesses. All 32-bit accesses produce undefined results.
- (2) These registers are new registers for the FIFO mode.

**Table 8-41. SCI-C Registers**

| NAME <sup>(1)</sup>     | ADDRESS | SIZE (×16) | EALLOW<br>PROTECTED | DESCRIPTION                                  |
|-------------------------|---------|------------|---------------------|--|
| SCICCRC                 | 0x7770  | 1          | No                  | SCI-C Communications Control register        |
| SCICTL1C                | 0x7771  | 1          | No                  | SCI-C Control Register 1                     |
| SCIHBAUDC               | 0x7772  | 1          | No                  | SCI-C Baud register, high bits               |
| SCILBAUDC               | 0x7773  | 1          | No                  | SCI-C Baud register, low bits                |
| SCICTL2C                | 0x7774  | 1          | No                  | SCI-C Control Register 2                     |
| SCIRXSTC                | 0x7775  | 1          | No                  | SCI-C Receive Status register                |
| SCIRXEMUC               | 0x7776  | 1          | No                  | SCI-C Receive Emulation Data Buffer register |
| SCIRXBUFC               | 0x7777  | 1          | No                  | SCI-C Receive Data Buffer register           |
| SCITXBUFC               | 0x7779  | 1          | No                  | SCI-C Transmit Data Buffer register          |
| SCIFFTXC <sup>(2)</sup> | 0x777A  | 1          | No                  | SCI-C FIFO Transmit register                 |
| SCIFFRXC <sup>(2)</sup> | 0x777B  | 1          | No                  | SCI-C FIFO Receive register                  |
| SCIFFCTC <sup>(2)</sup> | 0x777C  | 1          | No                  | SCI-C FIFO Control register                  |
| SCIPRIC                 | 0x777F  | 1          | No                  | SCI-C Priority Control register              |

- (1) Registers in this table are mapped to Peripheral Frame 2 space. This space only allows 16-bit accesses. All 32-bit accesses produce undefined results.
- (2) These registers are new registers for the FIFO mode.

## 8.9.6 Enhanced Controller Area Network

### 8.9.6.1 eCAN Device-Specific Information

The CAN module (eCAN-A) has the following features:

- Fully compliant with CAN protocol, version 2.0B
- Supports data rates up to 1 Mbps
- Thirty-two mailboxes, each with the following properties:
  - Configurable as receive or transmit
  - Configurable with standard or extended identifier
  - Has a programmable receive mask
  - Supports data and remote frame
  - Composed of 0 to 8 bytes of data
  - Uses a 32-bit timestamp on receive and transmit message
  - Protects against reception of new message
  - Holds the dynamically programmable priority of transmit message
  - Employs a programmable interrupt scheme with two interrupt levels
  - Employs a programmable alarm on transmission or reception time-out
- Low-power mode
- Programmable wakeup on bus activity
- Automatic reply to a remote request message
- Automatic retransmission of a frame in case of loss of arbitration or error
- 32-bit local network time counter synchronized by a specific message (communication in conjunction with mailbox 16)
- Self-test mode
  - Operates in a loopback mode receiving its own message. A "dummy" acknowledge is provided, thereby eliminating the need for another node to provide the acknowledge bit.

---

#### Note

For a SYSCLKOUT of 60 MHz, the smallest bit rate possible is 4.6875 kbps.

---

The F2805x CAN has passed the conformance test per ISO/DIS 16845. Contact TI for test report and exceptions.

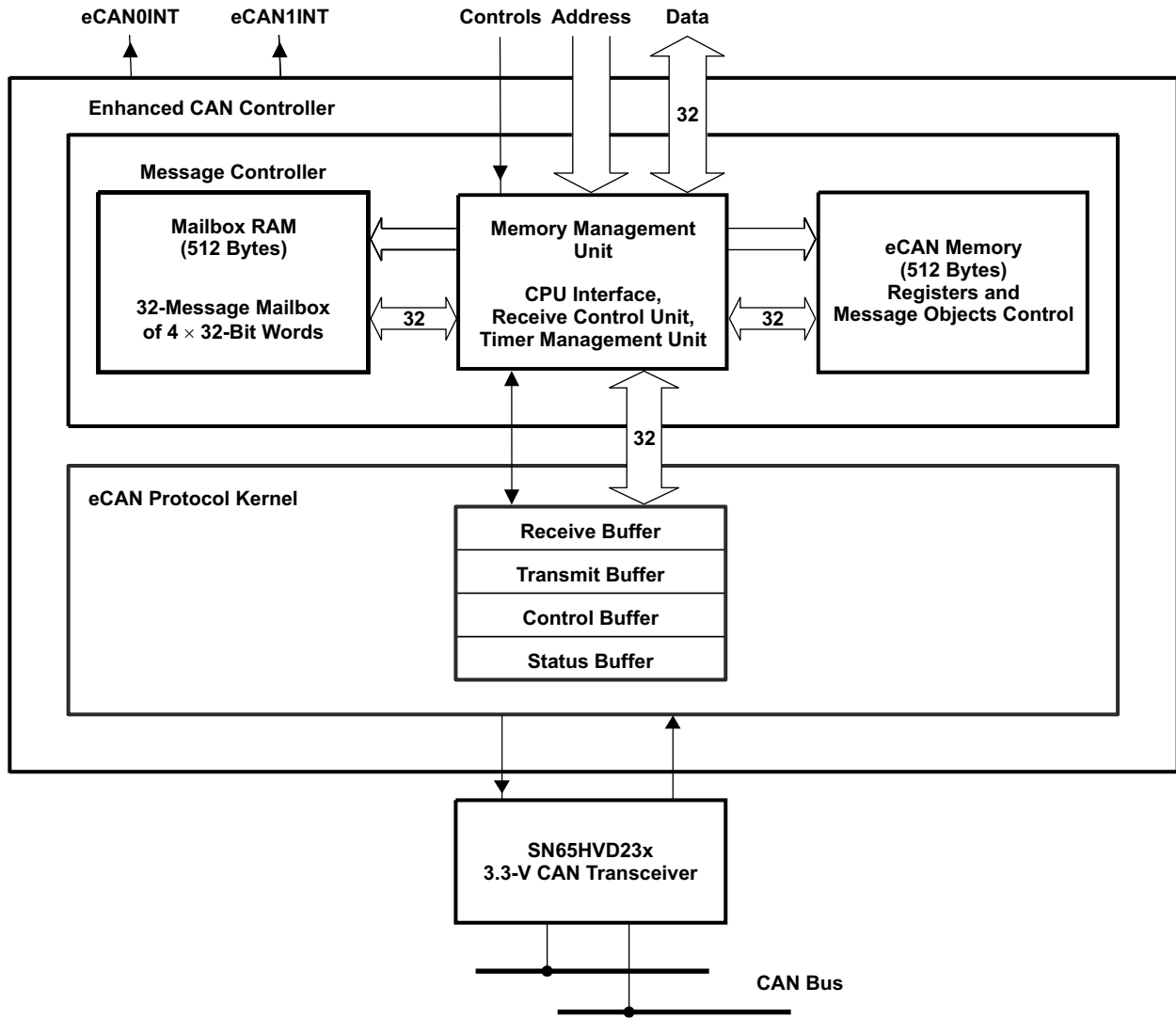


Figure 8-34. eCAN Block Diagram and Interface Circuit

Table 8-42. 3.3-V eCAN Transceivers

| PART NUMBER | SUPPLY VOLTAGE | LOW-POWER MODE    | SLOPE CONTROL | VREF | OTHER   | T <sub>A</sub> |
|-------------|----------------|-------------------|---------------|------|---|----------------|
| SN65HVD230  | 3.3 V          | Standby           | Adjustable    | Yes  | –   | –40°C to 85°C  |
| SN65HVD230Q | 3.3 V          | Standby           | Adjustable    | Yes  | –   | –40°C to 125°C |
| SN65HVD231  | 3.3 V          | Sleep             | Adjustable    | Yes  | –   | –40°C to 85°C  |
| SN65HVD231Q | 3.3 V          | Sleep             | Adjustable    | Yes  | –   | –40°C to 125°C |
| SN65HVD232  | 3.3 V          | None              | None          | None | –   | –40°C to 85°C  |
| SN65HVD232Q | 3.3 V          | None              | None          | None | –   | –40°C to 125°C |
| SN65HVD233  | 3.3 V          | Standby           | Adjustable    | None | Diagnostic Loopback   | –40°C to 125°C |
| SN65HVD234  | 3.3 V          | Standby and Sleep | Adjustable    | None | –   | –40°C to 125°C |
| SN65HVD235  | 3.3 V          | Standby           | Adjustable    | None | Autobaud Loopback   | –40°C to 125°C |
| ISO1050     | 3–5.5 V        | None              | None          | None | Built-in Isolation<br>Low Prop Delay<br>Thermal Shutdown<br>Failsafe Operation<br>Dominant Time-Out | –55°C to 105°C |

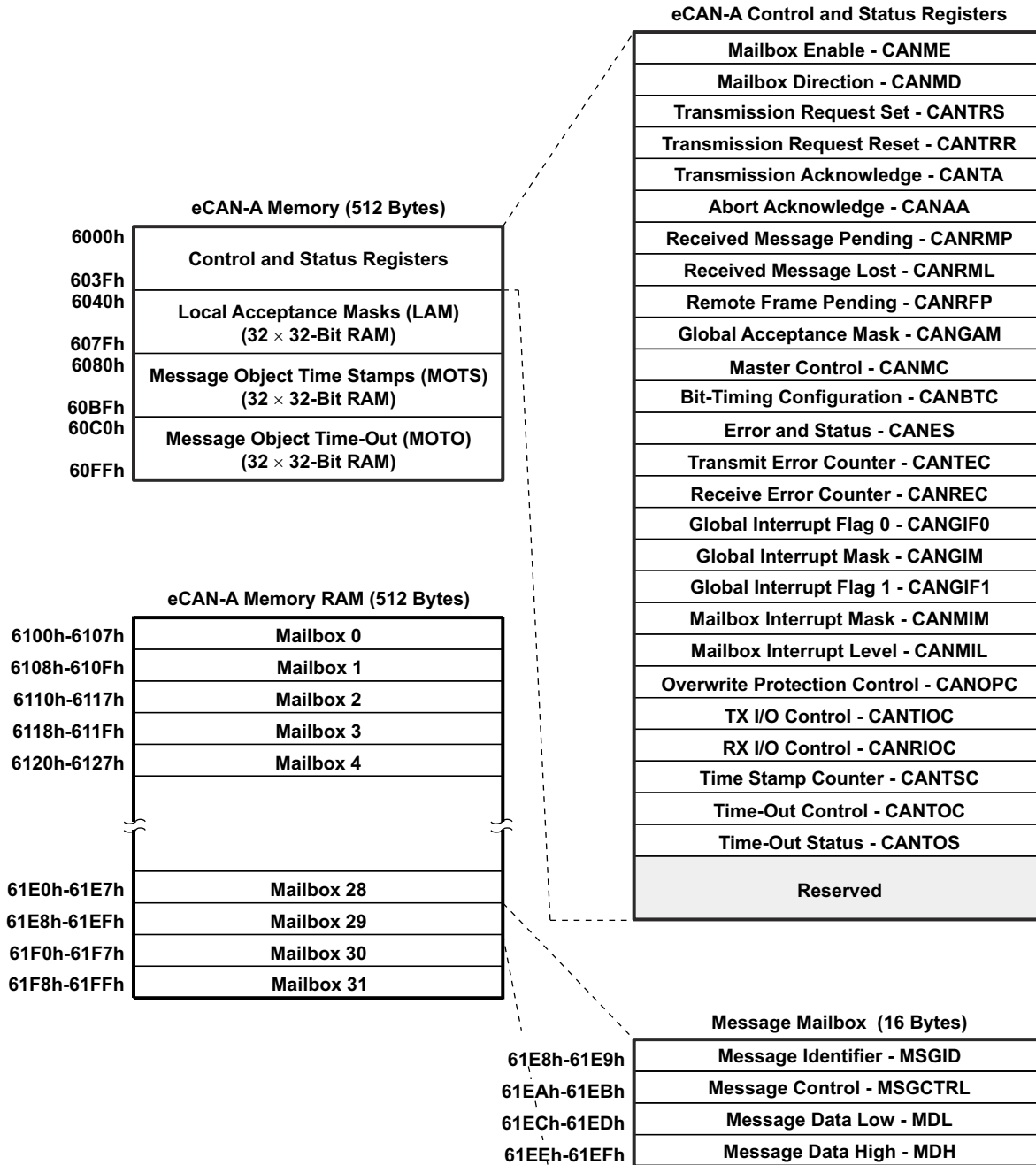


Figure 8-35. eCAN-A Memory Map

**Note**

If the eCAN module is not used in an application, the RAM available (LAM, MOTS, MOTO, and mailbox RAM) can be used as general-purpose RAM. The CAN module clock should be enabled if the eCAN RAM (LAM, MOTS, MOTO, and mailbox RAM) is used as general-purpose RAM.

### 8.9.6.2 eCAN Register Descriptions

The CAN registers listed in [Table 8-43](#) are used by the CPU to configure and control the CAN controller and the message objects. eCAN control registers only support 32-bit read/write operations. Mailbox RAM can be accessed as 16 bits or 32 bits. 32-bit accesses are aligned to an even boundary.

**Table 8-43. CAN Register Map**

| REGISTER NAME <sup>(1)</sup> | eCAN-A ADDRESS | SIZE (x32) | DESCRIPTION                              |
|------------------------------|----------------|------------|--|
| CANME                        | 0x6000         | 1          | Mailbox enable                           |
| CANMD                        | 0x6002         | 1          | Mailbox direction                        |
| CANTRS                       | 0x6004         | 1          | Transmit request set                     |
| CANTRR                       | 0x6006         | 1          | Transmit request reset                   |
| CANTA                        | 0x6008         | 1          | Transmission acknowledge                 |
| CANAA                        | 0x600A         | 1          | Abort acknowledge                        |
| CANRMP                       | 0x600C         | 1          | Receive message pending                  |
| CANRML                       | 0x600E         | 1          | Receive message lost                     |
| CANRFP                       | 0x6010         | 1          | Remote frame pending                     |
| CANGAM                       | 0x6012         | 1          | Global acceptance mask                   |
| CANMC                        | 0x6014         | 1          | Master control                           |
| CANBTC                       | 0x6016         | 1          | Bit-timing configuration                 |
| CANES                        | 0x6018         | 1          | Error and status                         |
| CANTEC                       | 0x601A         | 1          | Transmit error counter                   |
| CANREC                       | 0x601C         | 1          | Receive error counter                    |
| CANGIF0                      | 0x601E         | 1          | Global interrupt flag 0                  |
| CANGIM                       | 0x6020         | 1          | Global interrupt mask                    |
| CANGIF1                      | 0x6022         | 1          | Global interrupt flag 1                  |
| CANMIM                       | 0x6024         | 1          | Mailbox interrupt mask                   |
| CANMIL                       | 0x6026         | 1          | Mailbox interrupt level                  |
| CANOPC                       | 0x6028         | 1          | Overwrite protection control             |
| CANTIOC                      | 0x602A         | 1          | TX I/O control                           |
| CANRIOC                      | 0x602C         | 1          | RX I/O control                           |
| CANTSC                       | 0x602E         | 1          | Timestamp counter (Reserved in SCC mode) |
| CANTOC                       | 0x6030         | 1          | Time-out control (Reserved in SCC mode)  |
| CANTOS                       | 0x6032         | 1          | Time-out status (Reserved in SCC mode)   |

(1) These registers are mapped to Peripheral Frame 1.

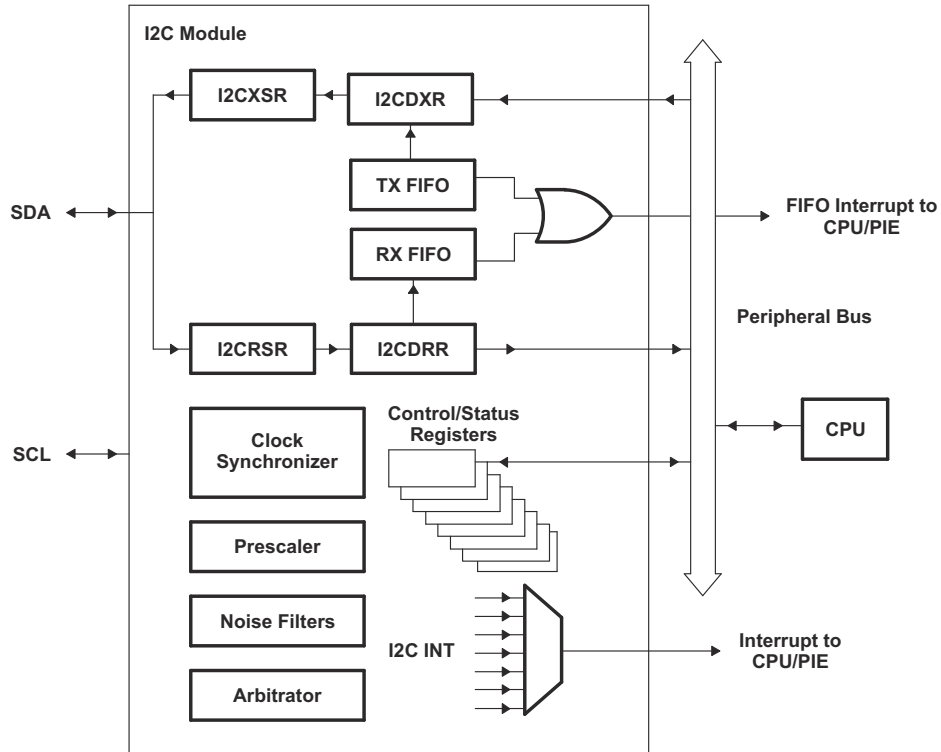
## 8.9.7 Inter-Integrated Circuit

### 8.9.7.1 I2C Device-Specific Information

The device contains one I2C serial port. [Figure 8-36](#) shows how the I2C peripheral module interfaces within the device.

The I2C module has the following features:

- Compliance with the Philips Semiconductors I<sup>2</sup>C-bus specification (version 2.1):
  - Support for 1-bit to 8-bit format transfers
  - 7-bit and 10-bit addressing modes
  - General call
  - START byte mode
  - Support for multiple master-transmitters and slave-receivers
  - Support for multiple slave-transmitters and master-receivers
  - Combined master transmit/receive and receive/transmit mode
  - Data transfer rate of from 10 kbps up to 400 kbps (I2C Fast-mode rate)
- One 4-word receive FIFO and one 4-word transmit FIFO
- One interrupt that can be used by the CPU. This interrupt can be generated as a result of one of the following conditions:
  - Transmit-data ready
  - Receive-data ready
  - Register-access ready
  - No-acknowledgment received
  - Arbitration lost
  - Stop condition detected
  - Addressed as slave
- An additional interrupt that can be used by the CPU when in FIFO mode
- Module enable/disable capability
- Free data format mode



- A. The I2C registers are accessed at the SYSCLKOUT rate. The internal timing and signal waveforms of the I2C port are also at the SYSCLKOUT rate.
- B. The clock enable bit (I2CAENCLK) in the PCLKCRO register turns off the clock to the I2C port for low power operation. Upon reset, I2CAENCLK is clear, which indicates the peripheral internal clocks are off.

**Figure 8-36. I2C Peripheral Module Interfaces**

### 8.9.7.2 I2C Register Descriptions

The registers in [Table 8-44](#) configure and control the I2C port operation.

**Table 8-44. I2C-A Registers**

| NAME    | ADDRESS | EALLOW<br>PROTECTED | DESCRIPTION   |
|---------|---------|---------------------|---|
| I2COAR  | 0x7900  | No                  | I2C own address register                                |
| I2CIER  | 0x7901  | No                  | I2C interrupt enable register                           |
| I2CSTR  | 0x7902  | No                  | I2C status register                                     |
| I2CCLKL | 0x7903  | No                  | I2C clock low-time divider register                     |
| I2CCLKH | 0x7904  | No                  | I2C clock high-time divider register                    |
| I2CCNT  | 0x7905  | No                  | I2C data count register                                 |
| I2CDRR  | 0x7906  | No                  | I2C data receive register                               |
| I2CSAR  | 0x7907  | No                  | I2C slave address register                              |
| I2CDXR  | 0x7908  | No                  | I2C data transmit register                              |
| I2CMDR  | 0x7909  | No                  | I2C mode register                                       |
| I2CISRC | 0x790A  | No                  | I2C interrupt source register                           |
| I2CPSC  | 0x790C  | No                  | I2C prescaler register                                  |
| I2CFFTX | 0x7920  | No                  | I2C FIFO transmit register                              |
| I2CFFRX | 0x7921  | No                  | I2C FIFO receive register                               |
| I2CRSR  | –       | No                  | I2C receive shift register (not accessible to the CPU)  |
| I2CXSR  | –       | No                  | I2C transmit shift register (not accessible to the CPU) |

### 8.9.7.3 I2C Electrical Data/Timing

Section 8.9.7.3.1 shows the I2C timing requirements. Section 8.9.7.3.2 shows the I2C switching characteristics.

#### 8.9.7.3.1 I2C Timing Requirements

|                        |  |                 | MIN  | MAX | UNIT    |
|------------------------|--|-----------------|------|-----|---------|
| $t_{h(SDA-SCL)START}$  | Hold time, START condition, SCL fall delay after SDA fall  |                 | 0.6  |     | $\mu s$ |
| $t_{su(SCL-SDA)START}$ | Setup time, Repeated START, SCL rise before SDA fall delay |                 | 0.6  |     | $\mu s$ |
| $t_{h(SCL-DAT)}$       | Hold time, data after SCL fall                             |                 | 0    |     | $\mu s$ |
| $t_{su(DAT-SCL)}$      | Setup time, data before SCL rise                           |                 | 100  |     | ns      |
| $t_{r(SDA)}$           | Rise time, SDA   | Input tolerance | 20   | 300 | ns      |
| $t_{r(SCL)}$           | Rise time, SCL   | Input tolerance | 20   | 300 | ns      |
| $t_{f(SDA)}$           | Fall time, SDA   | Input tolerance | 11.4 | 300 | ns      |
| $t_{f(SCL)}$           | Fall time, SCL   | Input tolerance | 11.4 | 300 | ns      |
| $t_{su(SCL-SDA)STOP}$  | Setup time, STOP condition, SCL rise before SDA rise delay |                 | 0.6  |     | $\mu s$ |

#### 8.9.7.3.2 I2C Switching Characteristics

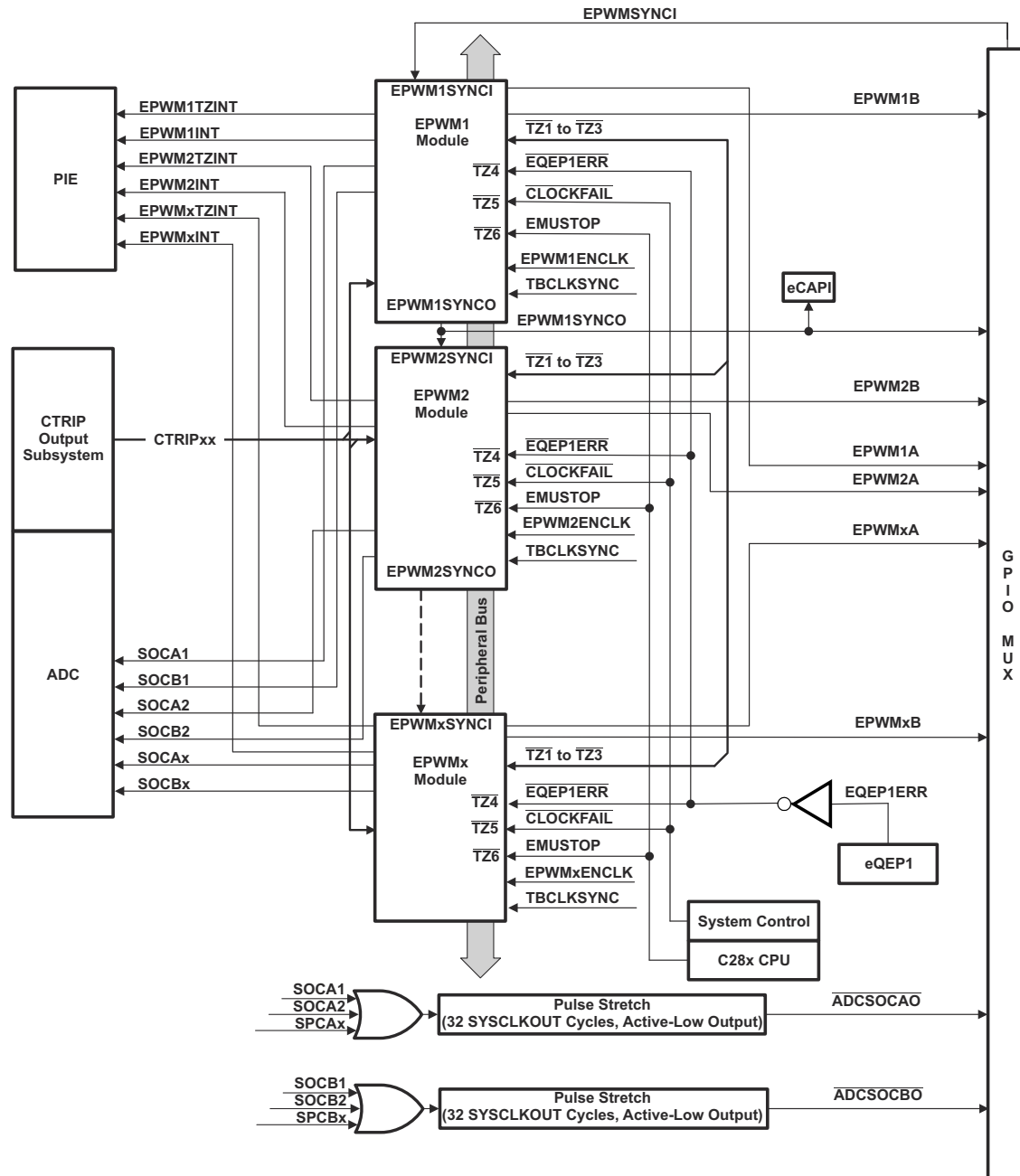
over recommended operating conditions (unless otherwise noted)

| PARAMETER   | TEST CONDITIONS  | MIN             | MAX            | UNIT    |
|---|--|-----------------|----------------|---------|
| $f_{SCL}$ SCL clock frequency   | I2C clock module frequency is from 7 MHz to 12 MHz and I2C prescaler and clock divider registers are configured appropriately. |                 | 400            | kHz     |
| $V_{il}$ Low level input voltage  |  |                 | $0.3 V_{DDIO}$ | V       |
| $V_{ih}$ High level input voltage   |  | $0.7 V_{DDIO}$  |                | V       |
| $V_{hys}$ Input hysteresis  |  | $0.05 V_{DDIO}$ |                | V       |
| $V_{ol}$ Low level output voltage   | 3 mA sink current  | 0               | 0.4            | V       |
| $t_{LOW}$ Low period of SCL clock   | I2C clock module frequency is from 7 MHz to 12 MHz and I2C prescaler and clock divider registers are configured appropriately. | 1.3             |                | $\mu s$ |
| $t_{HIGH}$ High period of SCL clock   | I2C clock module frequency is from 7 MHz to 12 MHz and I2C prescaler and clock divider registers are configured appropriately. | 0.6             |                | $\mu s$ |
| $I_I$ Input current with an input voltage from $0.1 V_{DDIO}$ to $0.9 V_{DDIO} MAX$ |  | -10             | 10             | $\mu A$ |

## 8.9.8 Enhanced Pulse Width Modulator

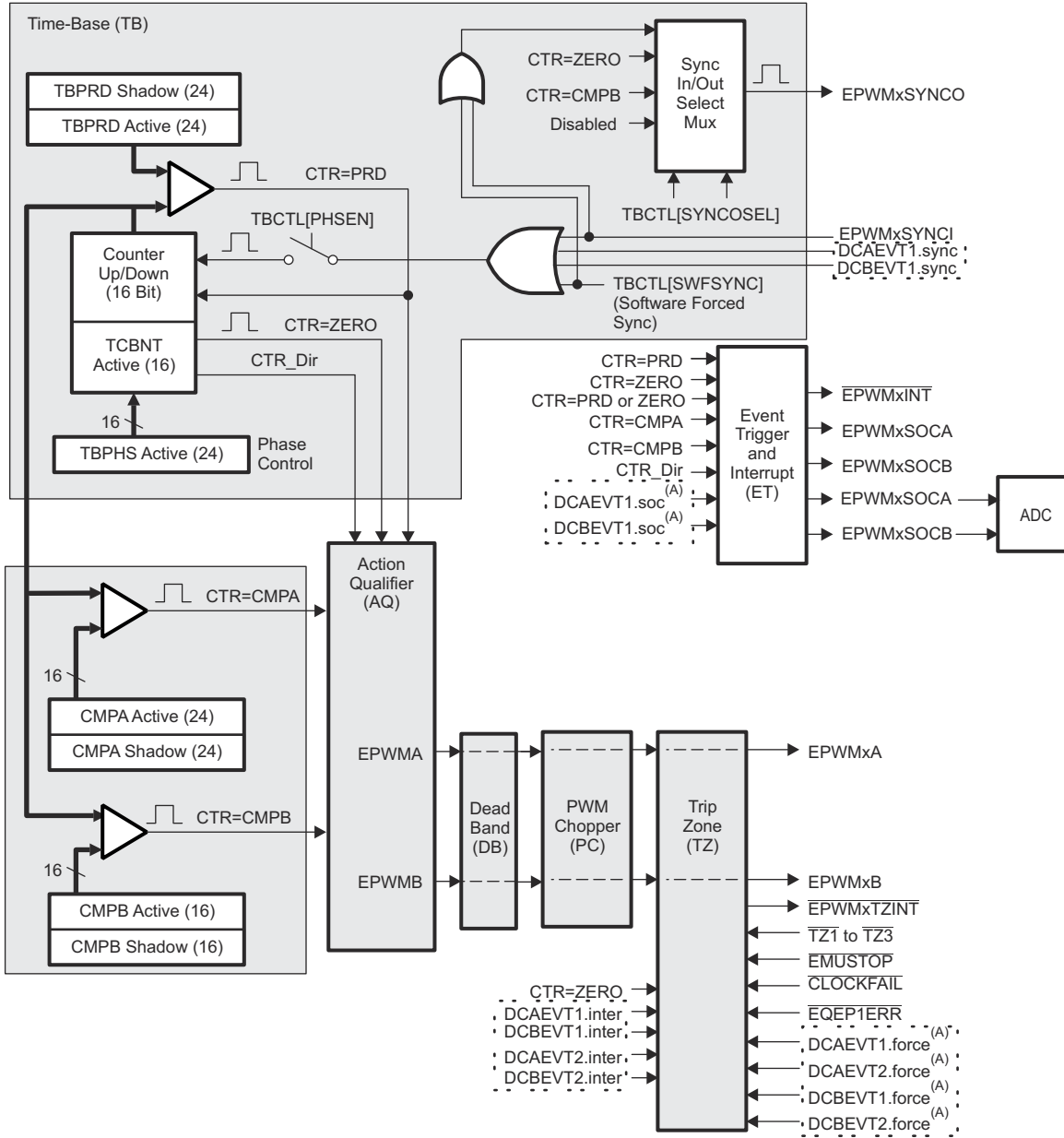
### 8.9.8.1 ePWM Device-Specific Information

The devices contain up to seven enhanced PWM modules (ePWM1 to ePWM7). [Figure 8-37](#) shows a block diagram of multiple ePWM modules. [Figure 8-38](#) shows the signal interconnections with the ePWM. For more details, see the Enhanced Pulse Width Modulator (ePWM) Module chapter of the [TMS320x2805x Real-Time Microcontrollers Technical Reference Manual](#).



Copyright © 2017, Texas Instruments Incorporated

**Figure 8-37. ePWM**



Copyright © 2017, Texas Instruments Incorporated

- A. These events are generated by the Type 1 ePWM digital compare (DC) submodule based on the levels of the COMPxOUT and  $\overline{TZ}$  signals.

**Figure 8-38. ePWM Submodules Showing Critical Internal Signal Interconnections**

### 8.9.8.2 ePWM Register Descriptions

Table 8-45 and Table 8-46 show the complete ePWM register set per module.

**Table 8-45. ePWM1–ePWM4 Control and Status Registers**

| NAME     | ePWM1  | ePWM2  | ePWM3  | ePWM4  | SIZE (×16) / #SHADOW | DESCRIPTION   |
|----------|--------|--------|--------|--------|----------------------|---|
| TBCTL    | 0x6800 | 0x6840 | 0x6880 | 0x68C0 | 1 / 0                | Time Base Control register                            |
| TBSTS    | 0x6801 | 0x6841 | 0x6881 | 0x68C1 | 1 / 0                | Time Base Status register                             |
| Reserved | 0x6802 | 0x6842 | 0x6882 | 0x68C2 | 1 / 0                | Reserved  |
| TBPHS    | 0x6803 | 0x6843 | 0x6883 | 0x68C3 | 1 / 0                | Time Base Phase register                              |
| TBCTR    | 0x6804 | 0x6844 | 0x6884 | 0x68C4 | 1 / 0                | Time Base Counter register                            |
| TBPRD    | 0x6805 | 0x6845 | 0x6885 | 0x68C5 | 1 / 1                | Time Base Period Register Set                         |
| Reserved | 0x6806 | 0x6846 | 0x6886 | 0x68C6 | 1 / 1                | Reserved  |
| CMPCTL   | 0x6807 | 0x6847 | 0x6887 | 0x68C7 | 1 / 0                | Counter Compare Control register                      |
| Reserved | 0x6808 | 0x6848 | 0x6888 | 0x68C8 | 1 / 1                | Reserved  |
| CMPA     | 0x6809 | 0x6849 | 0x6889 | 0x68C9 | 1 / 1                | Counter Compare A Register Set                        |
| CMPB     | 0x680A | 0x684A | 0x688A | 0x68CA | 1 / 1                | Counter Compare B Register Set                        |
| AQCTLA   | 0x680B | 0x684B | 0x688B | 0x68CB | 1 / 0                | Action Qualifier Control register for output A        |
| AQCTLB   | 0x680C | 0x684C | 0x688C | 0x68CC | 1 / 0                | Action Qualifier Control register for output B        |
| AQSFR    | 0x680D | 0x684D | 0x688D | 0x68CD | 1 / 0                | Action Qualifier Software Force register              |
| AQCSFR   | 0x680E | 0x684E | 0x688E | 0x68CE | 1 / 1                | Action Qualifier Continuous S/W Force Register Set    |
| DBCTL    | 0x680F | 0x684F | 0x688F | 0x68CF | 1 / 1                | Dead-Band Generator Control register                  |
| DBRED    | 0x6810 | 0x6850 | 0x6890 | 0x68D0 | 1 / 0                | Dead-Band Generator Rising Edge Delay Count register  |
| DBFED    | 0x6811 | 0x6851 | 0x6891 | 0x68D1 | 1 / 0                | Dead-Band Generator Falling Edge Delay Count register |
| TZSEL    | 0x6812 | 0x6852 | 0x6892 | 0x68D2 | 1 / 0                | Trip Zone Select register <sup>(1)</sup>              |
| TZDCSEL  | 0x6813 | 0x6853 | 0x6893 | 0x98D3 | 1 / 0                | Trip Zone Digital Compare register                    |
| TZCTL    | 0x6814 | 0x6854 | 0x6894 | 0x68D4 | 1 / 0                | Trip Zone Control register <sup>(1)</sup>             |
| TZEINT   | 0x6815 | 0x6855 | 0x6895 | 0x68D5 | 1 / 0                | Trip Zone Enable Interrupt register <sup>(1)</sup>    |
| TZFLG    | 0x6816 | 0x6856 | 0x6896 | 0x68D6 | 1 / 0                | Trip Zone Flag register <sup>(1)</sup>                |
| TZCLR    | 0x6817 | 0x6857 | 0x6897 | 0x68D7 | 1 / 0                | Trip Zone Clear register <sup>(1)</sup>               |
| TZFRC    | 0x6818 | 0x6858 | 0x6898 | 0x68D8 | 1 / 0                | Trip Zone Force register <sup>(1)</sup>               |
| ETSEL    | 0x6819 | 0x6859 | 0x6899 | 0x68D9 | 1 / 0                | Event Trigger Selection register                      |
| ETPS     | 0x681A | 0x685A | 0x689A | 0x68DA | 1 / 0                | Event Trigger Prescale register                       |
| ETFLG    | 0x681B | 0x685B | 0x689B | 0x68DB | 1 / 0                | Event Trigger Flag register                           |
| ETCLR    | 0x681C | 0x685C | 0x689C | 0x68DC | 1 / 0                | Event Trigger Clear register                          |

**Table 8-45. ePWM1–ePWM4 Control and Status Registers (continued)**

| NAME         | ePWM1  | ePWM2  | ePWM3  | ePWM4  | SIZE (×16) / #SHADOW | DESCRIPTION   |
|--------------|--------|--------|--------|--------|----------------------|---|
| ETFRC        | 0x681D | 0x685D | 0x689D | 0x68DD | 1 / 0                | Event Trigger Force register                            |
| PCCTL        | 0x681E | 0x685E | 0x689E | 0x68DE | 1 / 0                | PWM Chopper Control register                            |
| Reserved     | 0x6820 | 0x6860 | 0x68A0 | 0x68E0 | 1 / 0                | Reserved  |
| Reserved     | 0x6821 | -      | -      | -      | 1 / 0                | Reserved  |
| Reserved     | 0x6826 | -      | -      | -      | 1 / 0                | Reserved  |
| Reserved     | 0x6828 | 0x6868 | 0x68A8 | 0x68E8 | 1 / 0                | Reserved  |
| Reserved     | 0x682A | 0x686A | 0x68AA | 0x68EA | 1 / W <sup>(2)</sup> | Reserved  |
| TBPRDM       | 0x682B | 0x686B | 0x68AB | 0x68EB | 1 / W <sup>(2)</sup> | Time Base Period Register Mirror                        |
| Reserved     | 0x682C | 0x686C | 0x68AC | 0x68EC | 1 / W <sup>(2)</sup> | Reserved  |
| CMPAM        | 0x682D | 0x686D | 0x68AD | 0x68ED | 1 / W <sup>(2)</sup> | Compare A Register Mirror                               |
| DCTRIPESEL   | 0x6830 | 0x6870 | 0x68B0 | 0x68F0 | 1 / 0                | Digital Compare Trip Select register <sup>(1)</sup>     |
| DCACTL       | 0x6831 | 0x6871 | 0x68B1 | 0x68F1 | 1 / 0                | Digital Compare A Control register <sup>(1)</sup>       |
| DCBCTL       | 0x6832 | 0x6872 | 0x68B2 | 0x68F2 | 1 / 0                | Digital Compare B Control register <sup>(1)</sup>       |
| DCFCTL       | 0x6833 | 0x6873 | 0x68B3 | 0x68F3 | 1 / 0                | Digital Compare Filter Control register <sup>(1)</sup>  |
| DCCAPCT      | 0x6834 | 0x6874 | 0x68B4 | 0x68F4 | 1 / 0                | Digital Compare Capture Control register <sup>(1)</sup> |
| DCFOFFSET    | 0x6835 | 0x6875 | 0x68B5 | 0x68F5 | 1 / 1                | Digital Compare Filter Offset register                  |
| DCFOFFSETCNT | 0x6836 | 0x6876 | 0x68B6 | 0x68F6 | 1 / 0                | Digital Compare Filter Offset Counter register          |
| DCFWINDOW    | 0x6837 | 0x6877 | 0x68B7 | 0x68F7 | 1 / 0                | Digital Compare Filter Window register                  |
| DCFWINDOWCNT | 0x6838 | 0x6878 | 0x68B8 | 0x68F8 | 1 / 0                | Digital Compare Filter Window Counter register          |
| DCCAP        | 0x6839 | 0x6879 | 0x68B9 | 0x68F9 | 1 / 1                | Digital Compare Counter Capture register                |

(1) Registers that are EALLOW protected.

(2) W = Write to shadow register

**Table 8-46. ePWM5–ePWM7 Control and Status Registers**

| NAME     | ePWM5  | ePWM6  | ePWM7  | SIZE (×16) / #SHADOW | DESCRIPTION                   |
|----------|--------|--------|--------|----------------------|-------------------------------|
| TBCTL    | 0x6900 | 0x6940 | 0x6980 | 1 / 0                | Time Base Control register    |
| TBSTS    | 0x6901 | 0x6941 | 0x6981 | 1 / 0                | Time Base Status register     |
| Reserved | 0x6902 | 0x6942 | 0x6982 | 1 / 0                | Reserved                      |
| TBPHS    | 0x6903 | 0x6943 | 0x6983 | 1 / 0                | Time Base Phase register      |
| TBCTR    | 0x6904 | 0x6944 | 0x6984 | 1 / 0                | Time Base Counter register    |
| TBPRD    | 0x6905 | 0x6945 | 0x6985 | 1 / 1                | Time Base Period Register Set |
| Reserved | 0x6906 | 0x6946 | 0x6986 | 1 / 1                | Reserved                      |

**Table 8-46. ePWM5–ePWM7 Control and Status Registers (continued)**

| NAME     | ePWM5  | ePWM6  | ePWM7  | SIZE (×16) / #SHADOW | DESCRIPTION   |
|----------|--------|--------|--------|----------------------|---|
| CMPCTL   | 0x6907 | 0x6947 | 0x6987 | 1 / 0                | Counter Compare Control register                      |
| Reserved | 0x6908 | 0x6948 | 0x6988 | 1 / 1                | Reserved  |
| CMPA     | 0x6909 | 0x6949 | 0x6989 | 1 / 1                | Counter Compare A Register Set                        |
| CMPB     | 0x690A | 0x694A | 0x698A | 1 / 1                | Counter Compare B Register Set                        |
| AQCTLA   | 0x690B | 0x694B | 0x698B | 1 / 0                | Action Qualifier Control register for output A        |
| AQCTLB   | 0x690C | 0x694C | 0x698C | 1 / 0                | Action Qualifier Control register for output B        |
| AQSFR    | 0x690D | 0x694D | 0x698D | 1 / 0                | Action Qualifier Software Force register              |
| AQCSFR   | 0x690E | 0x694E | 0x698E | 1 / 1                | Action Qualifier Continuous S/W Force Register Set    |
| DBCTL    | 0x690F | 0x694F | 0x698F | 1 / 1                | Dead-Band Generator Control register                  |
| DBRED    | 0x6910 | 0x6950 | 0x6990 | 1 / 0                | Dead-Band Generator Rising Edge Delay Count register  |
| DBFED    | 0x6911 | 0x6951 | 0x6991 | 1 / 0                | Dead-Band Generator Falling Edge Delay Count register |
| TZSEL    | 0x6912 | 0x6952 | 0x6992 | 1 / 0                | Trip Zone Select register <sup>(1)</sup>              |
| TZDCSEL  | 0x6913 | 0x6953 | 0x6993 | 1 / 0                | Trip Zone Digital Compare register                    |
| TZCTL    | 0x6914 | 0x6954 | 0x6994 | 1 / 0                | Trip Zone Control register <sup>(1)</sup>             |
| TZEINT   | 0x6915 | 0x6955 | 0x6995 | 1 / 0                | Trip Zone Enable Interrupt register <sup>(1)</sup>    |
| TZFLG    | 0x6916 | 0x6956 | 0x6996 | 1 / 0                | Trip Zone Flag register <sup>(1)</sup>                |
| TZCLR    | 0x6917 | 0x6957 | 0x6997 | 1 / 0                | Trip Zone Clear register <sup>(1)</sup>               |
| TZFRC    | 0x6918 | 0x6958 | 0x6998 | 1 / 0                | Trip Zone Force register <sup>(1)</sup>               |
| ETSEL    | 0x6919 | 0x6959 | 0x6999 | 1 / 0                | Event Trigger Selection register                      |
| ETPS     | 0x691A | 0x695A | 0x699A | 1 / 0                | Event Trigger Prescale register                       |
| ETFLG    | 0x691B | 0x695B | 0x699B | 1 / 0                | Event Trigger Flag register                           |
| ETCLR    | 0x691C | 0x695C | 0x699C | 1 / 0                | Event Trigger Clear register                          |
| ETFRC    | 0x691D | 0x695D | 0x699D | 1 / 0                | Event Trigger Force register                          |
| PCCTL    | 0x691E | 0x695E | 0x699E | 1 / 0                | PWM Chopper Control register                          |
| Reserved | 0x6920 | 0x6960 | 0x69A0 | 1 / 0                | Reserved  |
| Reserved | -      | -      | -      | 1 / 0                | Reserved  |
| Reserved | -      | -      | -      | 1 / 0                | Reserved  |
| Reserved | 0x6928 | 0x6968 | 0x69A8 | 1 / 0                | Reserved  |
| Reserved | 0x692A | 0x696A | 0x69AA | 1 / W <sup>(2)</sup> | Reserved  |
| TBPRDM   | 0x692B | 0x696B | 0x69AB | 1 / W <sup>(2)</sup> | Time Base Period Register Mirror                      |
| Reserved | 0x692C | 0x696C | 0x69AC | 1 / W <sup>(2)</sup> | Reserved  |
| CMPAM    | 0x692D | 0x696D | 0x69AD | 1 / W <sup>(2)</sup> | Compare A Register Mirror                             |

**Table 8-46. ePWM5–ePWM7 Control and Status Registers (continued)**

| NAME         | ePWM5  | ePWM6  | ePWM7  | SIZE (×16) / #SHADOW | DESCRIPTION   |
|--------------|--------|--------|--------|----------------------|---|
| DCTRIPSEL    | 0x6930 | 0x6970 | 0x69B0 | 1 / 0                | Digital Compare Trip Select register <sup>(1)</sup>     |
| DCACTL       | 0x6931 | 0x6971 | 0x69B1 | 1 / 0                | Digital Compare A Control register <sup>(1)</sup>       |
| DCBCTL       | 0x6932 | 0x6972 | 0x69B2 | 1 / 0                | Digital Compare B Control register <sup>(1)</sup>       |
| DCFCTL       | 0x6933 | 0x6973 | 0x69B3 | 1 / 0                | Digital Compare Filter Control register <sup>(1)</sup>  |
| DCCAPCT      | 0x6934 | 0x6974 | 0x69B4 | 1 / 0                | Digital Compare Capture Control register <sup>(1)</sup> |
| DCFOFFSET    | 0x6935 | 0x6975 | 0x69B5 | 1 / 1                | Digital Compare Filter Offset register                  |
| DCFOFFSETCNT | 0x6936 | 0x6976 | 0x69B6 | 1 / 0                | Digital Compare Filter Offset Counter register          |
| DCFWINDOW    | 0x6937 | 0x6977 | 0x69B7 | 1 / 0                | Digital Compare Filter Window register                  |
| DCFWINDOWCNT | 0x6938 | 0x6978 | 0x69B8 | 1 / 0                | Digital Compare Filter Window Counter register          |
| DCCAP        | 0x6939 | 0x6979 | 0x69B9 | 1 / 1                | Digital Compare Counter Capture register                |

- (1) Registers that are EALLOW protected.  
(2) W = Write to shadow register

### 8.9.8.3 ePWM Electrical Data/Timing

PWM refers to PWM outputs on ePWM1 to ePWM7. Section 8.9.8.3.1 shows the PWM timing requirements and Section 8.9.8.3.2, switching characteristics.

#### 8.9.8.3.1 ePWM Timing Requirements

|                     |                        | MIN                         | MAX | UNIT   |
|---------------------|------------------------|-----------------------------|-----|--------|
| $t_{w(SYCNIN)}$ (1) | Sync input pulse width |                             |     |        |
|                     | Asynchronous           | $2t_{c(SCO)}$               |     | cycles |
|                     | Synchronous            | $2t_{c(SCO)}$               |     | cycles |
|                     | With input qualifier   | $1t_{c(SCO)} + t_{w(IQSW)}$ |     | cycles |

(1) For an explanation of the input qualifier parameters, see Section 8.9.12.3.2.1.

#### 8.9.8.3.2 ePWM Switching Characteristics

over recommended operating conditions (unless otherwise noted)

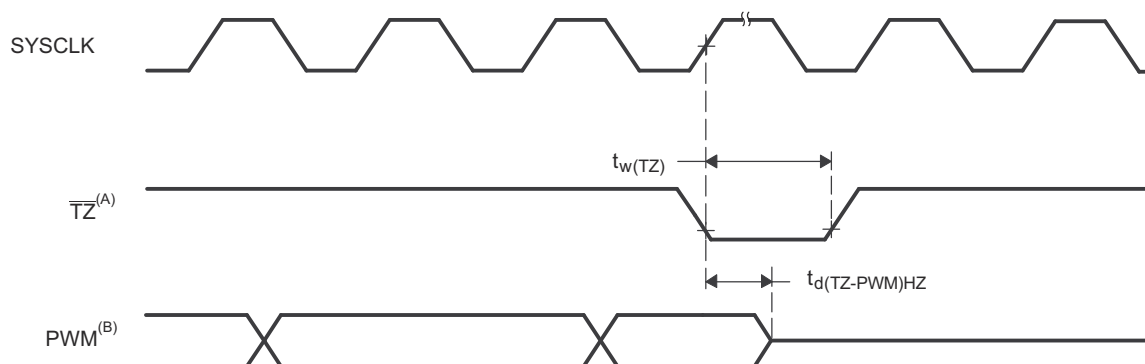
| PARAMETER         | TEST CONDITIONS                                  | MIN           | MAX | UNIT   |
|-------------------|--|---------------|-----|--------|
| $t_{w(PWM)}$      | Pulse duration, PWMx output high/low             | 33.33         |     | ns     |
| $t_{w(SYNCOUT)}$  | Sync output pulse width                          | $8t_{c(SCO)}$ |     | cycles |
| $t_{d(PWM)tza}$   | Delay time, trip input active to PWM forced high |               | 25  | ns     |
|                   | Delay time, trip input active to PWM forced low  | no pin load   |     |        |
| $t_{d(TZ-PWM)HZ}$ | Delay time, trip input active to PWM Hi-Z        |               | 20  | ns     |

#### 8.9.8.3.3 Trip-Zone Input Timing

##### 8.9.8.3.3.1 Trip-Zone Input Timing Requirements

|                 |  | MIN                           | MAX | UNIT   |
|-----------------|--|-------------------------------|-----|--------|
| $t_{w(TZ)}$ (1) | Pulse duration, $\overline{TZx}$ input low |                               |     |        |
|                 | Asynchronous                               | $2t_{c(TBCLK)}$               |     | cycles |
|                 | Synchronous                                | $2t_{c(TBCLK)}$               |     | cycles |
|                 | With input qualifier                       | $2t_{c(TBCLK)} + t_{w(IQSW)}$ |     | cycles |

(1) For an explanation of the input qualifier parameters, see Section 8.9.12.3.2.1.



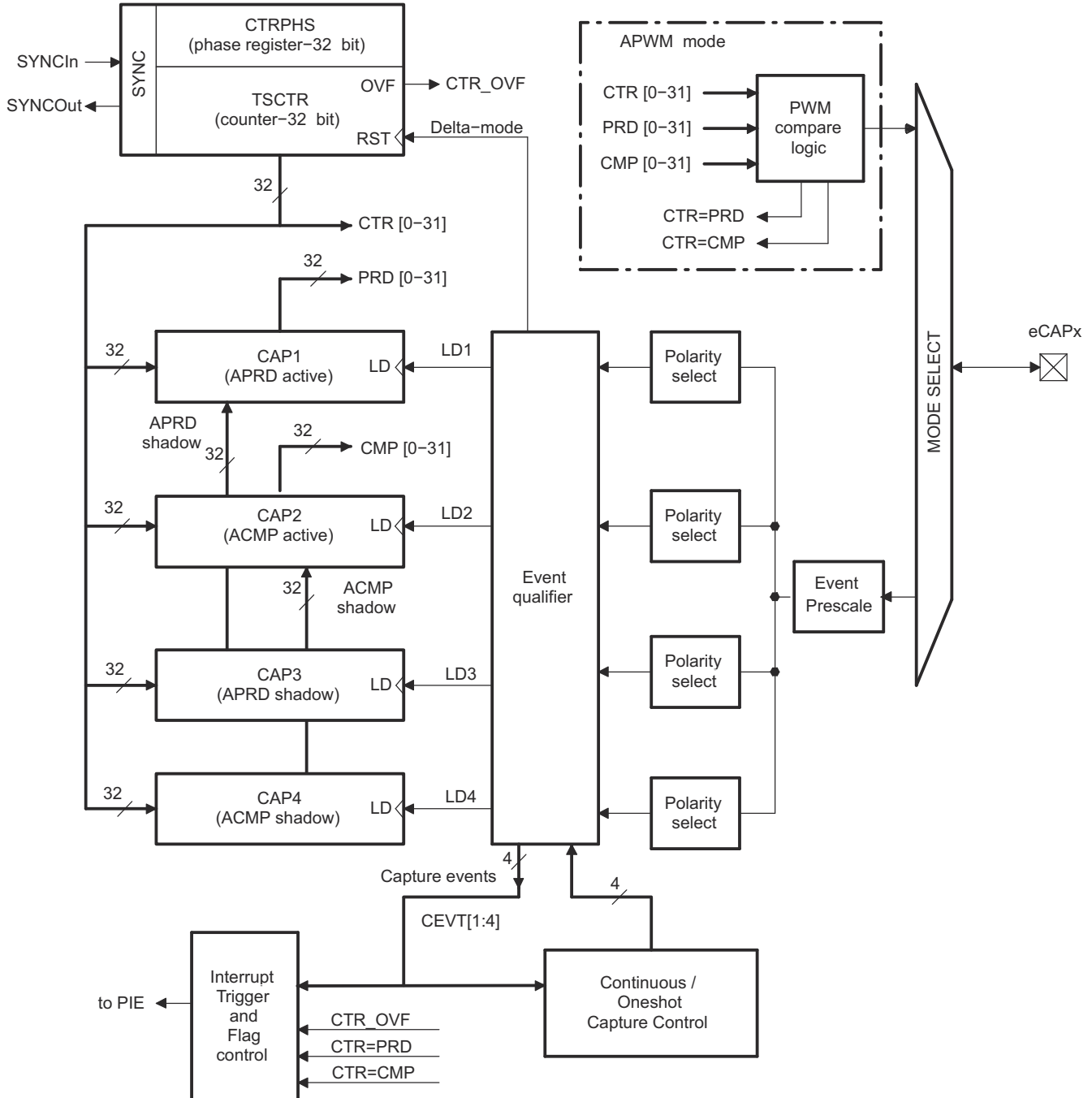
- A.  $\overline{TZ}$  -  $\overline{TZ1}$ ,  $\overline{TZ2}$ ,  $\overline{TZ3}$ ,  $\overline{TZ4}$ ,  $\overline{TZ5}$ ,  $\overline{TZ6}$   
 B. PWM refers to all the PWM pins in the device. The state of the PWM pins after  $\overline{TZ}$  is taken high depends on the PWM recovery software.

Figure 8-39. PWM Hi-Z Characteristics

## 8.9.9 Enhanced Capture Module

### 8.9.9.1 eCAP Module Device-Specific Information

The device contains an enhanced capture module (eCAP1). Figure 8-40 shows a functional block diagram of a module.



Copyright © 2017, Texas Instruments Incorporated

**Figure 8-40. eCAP Functional Block Diagram**

The eCAP module is clocked at the SYSCLKOUT rate.

The clock enable bits (ECAP1ENCLK) in the PCLKCR1 register turn off the eCAP module individually (for low power operation). Upon reset, ECAP1ENCLK is set to low, indicating that the peripheral clock is off.

### 8.9.9.2 eCAP Module Register Descriptions

Table 8-47 shows the eCAP Control and Status Registers.

**Table 8-47. eCAP Control and Status Registers**

| NAME     | eCAP1            | SIZE (x16) | EALLOW PROTECTED | DESCRIPTION                         |
|----------|------------------|------------|------------------|-------------------------------------|
| TSCTR    | 0x6A00           | 2          |                  | Timestamp Counter                   |
| CTRPHS   | 0x6A02           | 2          |                  | Counter Phase Offset Value register |
| CAP1     | 0x6A04           | 2          |                  | Capture 1 register                  |
| CAP2     | 0x6A06           | 2          |                  | Capture 2 register                  |
| CAP3     | 0x6A08           | 2          |                  | Capture 3 register                  |
| CAP4     | 0x6A0A           | 2          |                  | Capture 4 register                  |
| Reserved | 0x6A0C to 0x6A12 | 8          |                  | Reserved                            |
| ECCTL1   | 0x6A14           | 1          |                  | Capture Control Register 1          |
| ECCTL2   | 0x6A15           | 1          |                  | Capture Control Register 2          |
| ECEINT   | 0x6A16           | 1          |                  | Capture Interrupt Enable register   |
| ECFLG    | 0x6A17           | 1          |                  | Capture Interrupt Flag register     |
| ECCLR    | 0x6A18           | 1          |                  | Capture Interrupt Clear register    |
| ECFRC    | 0x6A19           | 1          |                  | Capture Interrupt Force register    |
| Reserved | 0x6A1A to 0x6A1F | 6          |                  | Reserved                            |

### 8.9.9.3 eCAP Module Electrical Data/Timing

Section 8.9.9.3.1 provides the eCAP timing requirement and Section 8.9.9.3.2 provides the eCAP switching characteristics.

#### 8.9.9.3.1 eCAP Timing Requirement

|                  |                           | MIN                  | MAX                         | UNIT   |
|------------------|---------------------------|----------------------|-----------------------------|--------|
| $t_{w(CAP)}$ (1) | Capture input pulse width | Asynchronous         | $2t_{c(SCO)}$               | cycles |
|                  |                           | Synchronous          | $2t_{c(SCO)}$               | cycles |
|                  |                           | With input qualifier | $1t_{c(SCO)} + t_{w(IQSW)}$ | cycles |

(1) For an explanation of the input qualifier parameters, see Section 8.9.12.3.2.1.

#### 8.9.9.3.2 eCAP Switching Characteristics

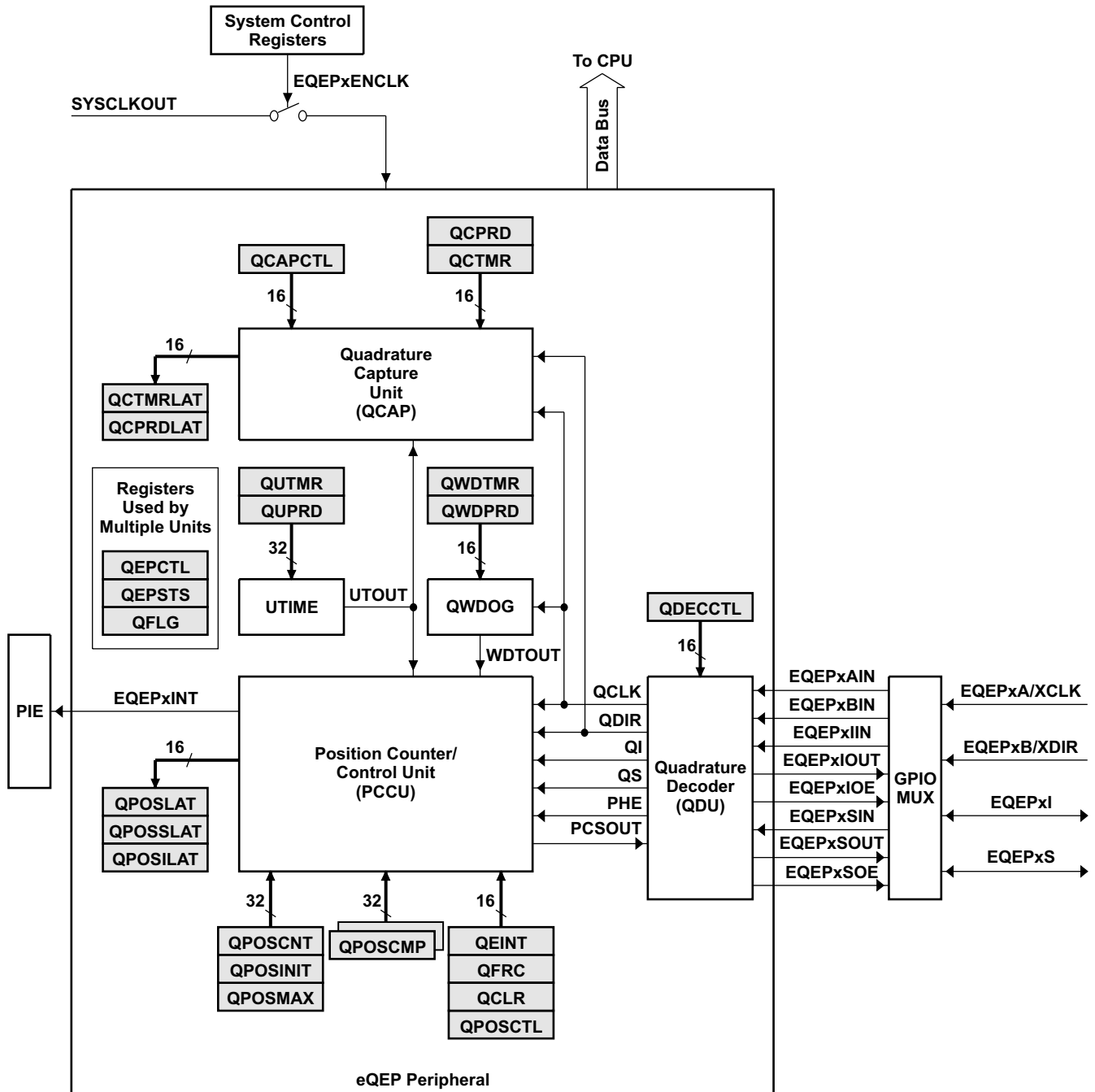
over recommended operating conditions (unless otherwise noted)

| PARAMETER   | MIN | MAX | UNIT |
|---|-----|-----|------|
| $t_{w(APWM)}$ Pulse duration, APWMx output high/low | 20  |     | ns   |

## 8.9.10 Enhanced Quadrature Encoder Pulse

### 8.9.10.1 eQEP Device-Specific Information

The device contains one eQEP module. Figure 8-41 shows the eQEP functional block diagram.



Copyright © 2017, Texas Instruments Incorporated

Figure 8-41. eQEP Functional Block Diagram

### 8.9.10.2 eQEP Register Descriptions

Table 8-48 lists the eQEP Control and Status Registers.

**Table 8-48. eQEP Control and Status Registers**

| NAME     | eQEP1 ADDRESS    | eQEP1 SIZE(*16)/ #SHADOW | REGISTER DESCRIPTION                   |
|----------|------------------|--------------------------|--|
| QPOSCNT  | 0x6B00           | 2/0                      | eQEP Position Counter                  |
| QPOSINIT | 0x6B02           | 2/0                      | eQEP Initialization Position Count     |
| QPOSMAX  | 0x6B04           | 2/0                      | eQEP Maximum Position Count            |
| QPOSCMP  | 0x6B06           | 2/1                      | eQEP Position-compare                  |
| QPOSILAT | 0x6B08           | 2/0                      | eQEP Index Position Latch              |
| QPOSSLAT | 0x6B0A           | 2/0                      | eQEP Strobe Position Latch             |
| QPOSLAT  | 0x6B0C           | 2/0                      | eQEP Position Latch                    |
| QUTMR    | 0x6B0E           | 2/0                      | eQEP Unit Timer                        |
| QUPRD    | 0x6B10           | 2/0                      | eQEP Unit Period register              |
| QWDTMR   | 0x6B12           | 1/0                      | eQEP Watchdog Timer                    |
| QWDPRD   | 0x6B13           | 1/0                      | eQEP Watchdog Period register          |
| QDECCTL  | 0x6B14           | 1/0                      | eQEP Decoder Control register          |
| QEPCTL   | 0x6B15           | 1/0                      | eQEP Control register                  |
| QCAPCTL  | 0x6B16           | 1/0                      | eQEP Capture Control register          |
| QPOSCTL  | 0x6B17           | 1/0                      | eQEP Position-compare Control register |
| QEINT    | 0x6B18           | 1/0                      | eQEP Interrupt Enable register         |
| QFLG     | 0x6B19           | 1/0                      | eQEP Interrupt Flag register           |
| QCLR     | 0x6B1A           | 1/0                      | eQEP Interrupt Clear register          |
| QFRC     | 0x6B1B           | 1/0                      | eQEP Interrupt Force register          |
| QEPSTS   | 0x6B1C           | 1/0                      | eQEP Status register                   |
| QCTMR    | 0x6B1D           | 1/0                      | eQEP Capture Timer                     |
| QCPRD    | 0x6B1E           | 1/0                      | eQEP Capture Period register           |
| QCTMRLAT | 0x6B1F           | 1/0                      | eQEP Capture Timer Latch               |
| QCPRDLAT | 0x6B20           | 1/0                      | eQEP Capture Period Latch              |
| Reserved | 0x6B21 to 0x6B3F | 31/0                     |  |

### 8.9.10.3 eQEP Electrical Data/Timing

Section 8.9.10.3.1 provides the eQEP timing requirement and Section 8.9.10.3.2 provides the eQEP switching characteristics.

#### 8.9.10.3.1 eQEP Timing Requirements

|                 |                           | TEST CONDITIONS                          | MIN                            | MAX | UNIT   |
|-----------------|---------------------------|--|--------------------------------|-----|--------|
| $t_{w(QEPP)}$   | QEP input period          | Asynchronous <sup>(1)</sup> /Synchronous | $2t_{c(SCO)}$                  |     | cycles |
|                 |                           | With input qualifier <sup>(2)</sup>      | $2[1t_{c(SCO)} + t_{w(IQSW)}]$ |     | cycles |
| $t_{w(INDEXH)}$ | QEP Index Input High time | Asynchronous <sup>(1)</sup> /Synchronous | $2t_{c(SCO)}$                  |     | cycles |
|                 |                           | With input qualifier <sup>(2)</sup>      | $2t_{c(SCO)} + t_{w(IQSW)}$    |     | cycles |
| $t_{w(INDEXL)}$ | QEP Index Input Low time  | Asynchronous <sup>(1)</sup> /Synchronous | $2t_{c(SCO)}$                  |     | cycles |
|                 |                           | With input qualifier <sup>(2)</sup>      | $2t_{c(SCO)} + t_{w(IQSW)}$    |     | cycles |
| $t_{w(STROBH)}$ | QEP Strobe High time      | Asynchronous <sup>(1)</sup> /Synchronous | $2t_{c(SCO)}$                  |     | cycles |
|                 |                           | With input qualifier <sup>(2)</sup>      | $2t_{c(SCO)} + t_{w(IQSW)}$    |     | cycles |
| $t_{w(STROBL)}$ | QEP Strobe Input Low time | Asynchronous <sup>(1)</sup> /Synchronous | $2t_{c(SCO)}$                  |     | cycles |
|                 |                           | With input qualifier <sup>(2)</sup>      | $2t_{c(SCO)} + t_{w(IQSW)}$    |     | cycles |

(1) See the [TMS320F2805x Real-Time MCUs Silicon Errata](#) for limitations in the asynchronous mode.

(2) For an explanation of the input qualifier parameters, see Section 8.9.12.3.2.1.

#### 8.9.10.3.2 eQEP Switching Characteristics

over recommended operating conditions (unless otherwise noted)

| PARAMETER              |  | MIN | MAX           | UNIT   |
|------------------------|--|-----|---------------|--------|
| $t_{d(CNTR)_{xin}}$    | Delay time, external clock to counter increment            |     | $4t_{c(SCO)}$ | cycles |
| $t_{d(PCS-OUT)_{QEP}}$ | Delay time, QEP input edge to position compare sync output |     | $6t_{c(SCO)}$ | cycles |

## 8.9.11 JTAG Port

### 8.9.11.1 JTAG Port Device-Specific Information

On the 2805x device, the JTAG port is reduced to 5 pins ( $\overline{\text{TRST}}$ , TCK, TDI, TMS, TDO). TCK, TDI, TMS and TDO pins are also GPIO pins. The  $\overline{\text{TRST}}$  signal selects either JTAG or GPIO operating mode for the pins in Figure 8-42. During emulation/debug, the GPIO function of these pins are not available. If the GPIO38/TCK/XCLKIN pin is used to provide an external clock, an alternate clock source should be used to clock the device during emulation/debug because this pin will be needed for the TCK function.

#### Note

In 2805x devices, the JTAG pins may also be used as GPIO pins. Care should be taken in the board design to ensure that the circuitry connected to these pins do not affect the emulation capabilities of the JTAG pin function. Any circuitry connected to these pins should not prevent the JTAG debug probe from driving (or being driven by) the JTAG pins for successful debug.

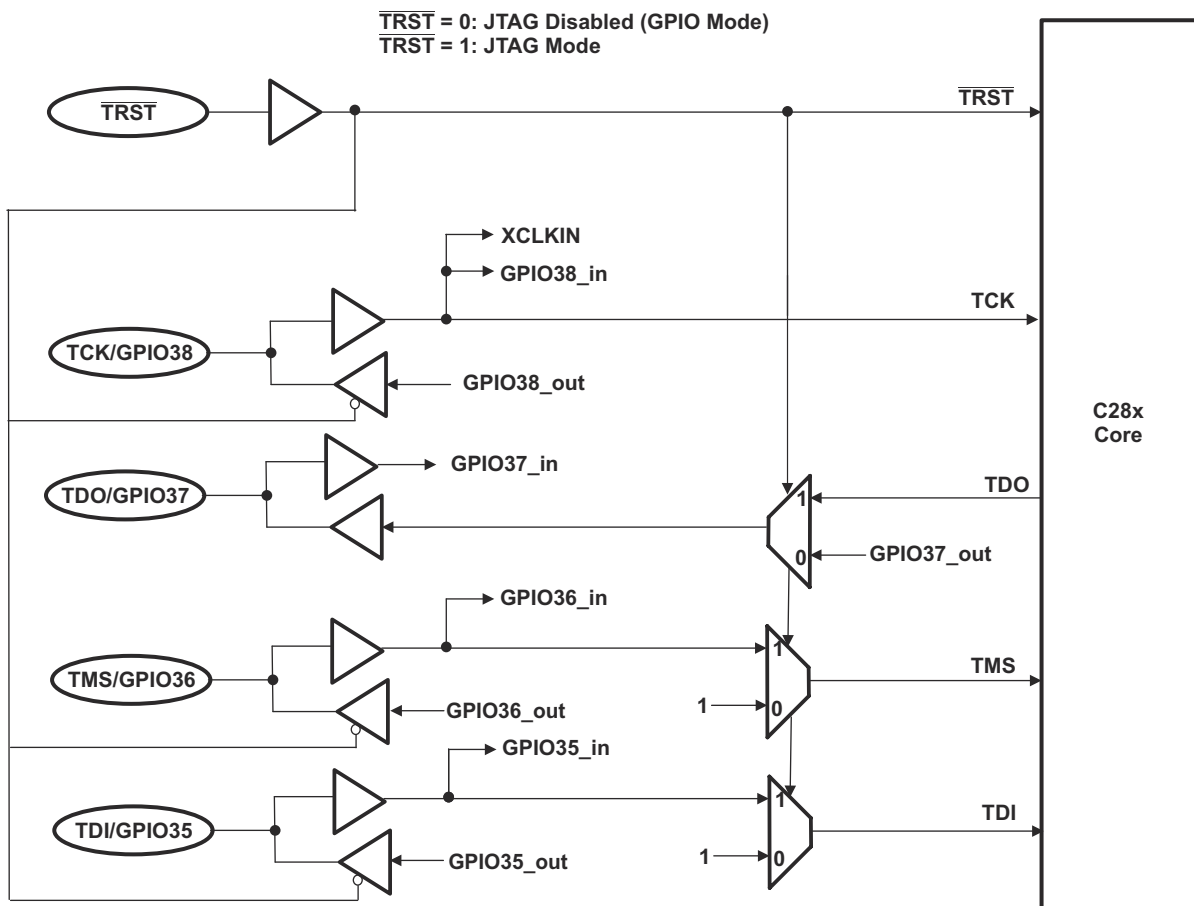


Figure 8-42. JTAG/GPIO Multiplexing

## 8.9.12 General-Purpose Input/Output

### 8.9.12.1 GPIO Device-Specific Information

The GPIO MUX can multiplex up to three independent peripheral signals on a single GPIO pin in addition to providing individual pin bit-banging I/O capability.

**Table 8-49. GPIOA MUX**

|                                  | DEFAULT AT RESET<br>PRIMARY I/O<br>FUNCTION | PERIPHERAL<br>SELECTION 1 <sup>(1)</sup> (2) | PERIPHERAL<br>SELECTION 2 <sup>(1)</sup> (2) | PERIPHERAL<br>SELECTION 3 <sup>(1)</sup> (2) |
|----------------------------------|---|--|--|--|
| <b>GPAMUX1 REGISTER<br/>BITS</b> | <b>(GPAMUX1 BITS = 00)</b>                  | <b>(GPAMUX1 BITS = 01)</b>                   | <b>(GPAMUX1 BITS = 10)</b>                   | <b>(GPAMUX1 BITS = 11)</b>                   |
| 1:0                              | GPIO0                                       | EPWM1A (O)                                   | Reserved                                     | Reserved                                     |
| 3:2                              | GPIO1                                       | EPWM1B (O)                                   | Reserved                                     | CTRIPM1OUT (O)                               |
| 5:4                              | GPIO2                                       | EPWM2A (O)                                   | Reserved                                     | Reserved                                     |
| 7:6                              | GPIO3                                       | EPWM2B (O)                                   | SPISOMIA (I/O)                               | Reserved                                     |
| 9:8                              | GPIO4                                       | EPWM3A (O)                                   | Reserved                                     | Reserved                                     |
| 11:10                            | GPIO5                                       | EPWM3B (O)                                   | SPISIMOA (I/O)                               | ECAP1 (I/O)                                  |
| 13:12                            | GPIO6                                       | EPWM4A (O)                                   | EPWMSYNCl (I)                                | EPWMSYNCO (O)                                |
| 15:14                            | GPIO7                                       | EPWM4B (O)                                   | SCIRXDA (I)                                  | Reserved                                     |
| 17:16                            | GPIO8                                       | EPWM5A (O)                                   | Reserved                                     | ADCSOCAO (O)                                 |
| 19:18                            | GPIO9                                       | EPWM5B (O)                                   | SCITXDB (O)                                  | Reserved                                     |
| 21:20                            | GPIO10                                      | EPWM6A (O)                                   | Reserved                                     | ADCSOCBO (O)                                 |
| 23:22                            | GPIO11                                      | EPWM6B (O)                                   | SCIRXDB (I)                                  | Reserved                                     |
| 25:24                            | GPIO12                                      | TZ1 (I)/<br>CTRIPM1OUT (O)                   | SCITXDA (O)                                  | Reserved                                     |
| 27:26                            | GPIO13                                      | TZ2 (I)                                      | Reserved                                     | Reserved                                     |
| 29:28                            | GPIO14                                      | TZ3 (I)/<br>CTRIPPFCOUT (O)                  | SCITXDB (O)                                  | Reserved                                     |
| 31:30                            | GPIO15                                      | TZ1 (I)/<br>CTRIPM1OUT (O)                   | SCIRXDB (I)                                  | Reserved                                     |

**Table 8-49. GPIOA MUX (continued)**

|                          | DEFAULT AT RESET<br>PRIMARY I/O<br>FUNCTION | PERIPHERAL<br>SELECTION 1 <sup>(1)</sup> (2) | PERIPHERAL<br>SELECTION 2 <sup>(1)</sup> (2) | PERIPHERAL<br>SELECTION 3 <sup>(1)</sup> (2) |
|--------------------------|---|--|--|--|
| GPAMUX2 REGISTER<br>BITS | (GPAMUX2 BITS = 00)                         | (GPAMUX2 BITS = 01)                          | (GPAMUX2 BITS = 10)                          | (GPAMUX2 BITS = 11)                          |
| 1:0                      | GPIO16                                      | SPISIMOA (I/O)                               | EQEP1S (I/O)                                 | $\overline{TZ2}$ (I)                         |
| 3:2                      | GPIO17                                      | SPISOMIA (I/O)                               | EQEP1I (I/O)                                 | $\overline{TZ3}$ (I)/<br>CTRIPPFCOUT (O)     |
| 5:4                      | GPIO18                                      | SPICLKA (I/O)                                | SCITXDB (O)                                  | XCLKOUT (O/Z)                                |
| 7:6                      | GPIO19/XCLKIN                               | $\overline{SPISTEA}$ (I/O)                   | SCIRXDB (I)                                  | ECAP1 (I/O)                                  |
| 9:8                      | GPIO20                                      | EQEP1A (I)                                   | EPWM7A (O)                                   | CTRIPM1OUT (O)                               |
| 11:10                    | GPIO21                                      | EQEP1B (I)                                   | EPWM7B (O)                                   | Reserved                                     |
| 13:12                    | GPIO22                                      | EQEP1S (I/O)                                 | Reserved                                     | SCITXDB (O)                                  |
| 15:14                    | GPIO23                                      | EQEP1I (I/O)                                 | Reserved                                     | SCIRXDB (I)                                  |
| 17:16                    | GPIO24                                      | ECAP1 (I/O)                                  | EPWM7A (O)                                   | Reserved                                     |
| 19:18                    | GPIO25                                      | Reserved                                     | Reserved                                     | Reserved                                     |
| 21:20                    | GPIO26                                      | Reserved                                     | SCIRXDC (I)                                  | Reserved                                     |
| 23:22                    | GPIO27                                      | Reserved                                     | SCITXDC (O)                                  | Reserved                                     |
| 25:24                    | GPIO28                                      | SCIRXDA (I)                                  | SDAA (I/OD)                                  | $\overline{TZ2}$ (I)                         |
| 27:26                    | GPIO29                                      | SCITXDA (O)                                  | SCLA (I/OD)                                  | $\overline{TZ3}$ (I)/<br>CTRIPPFCOUT (O)     |
| 29:28                    | GPIO30                                      | CANRXA (I)                                   | SCIRXDB (I)                                  | EPWM7A (O)                                   |
| 31:30                    | GPIO31                                      | CANTXA (O)                                   | SCITXDB (O)                                  | EPWM7B (O)                                   |

- (1) The word *reserved* means that there is no peripheral assigned to this GPxMUX1/2 register setting. If the Reserved GPxMUX1/2 register setting is selected, the state of the pin will be undefined and the pin may be driven. This selection is a reserved configuration for future expansion.
- (2) I = Input, O = Output, Z = High Impedance, OD = Open Drain

**Table 8-50. GPIOB MUX**

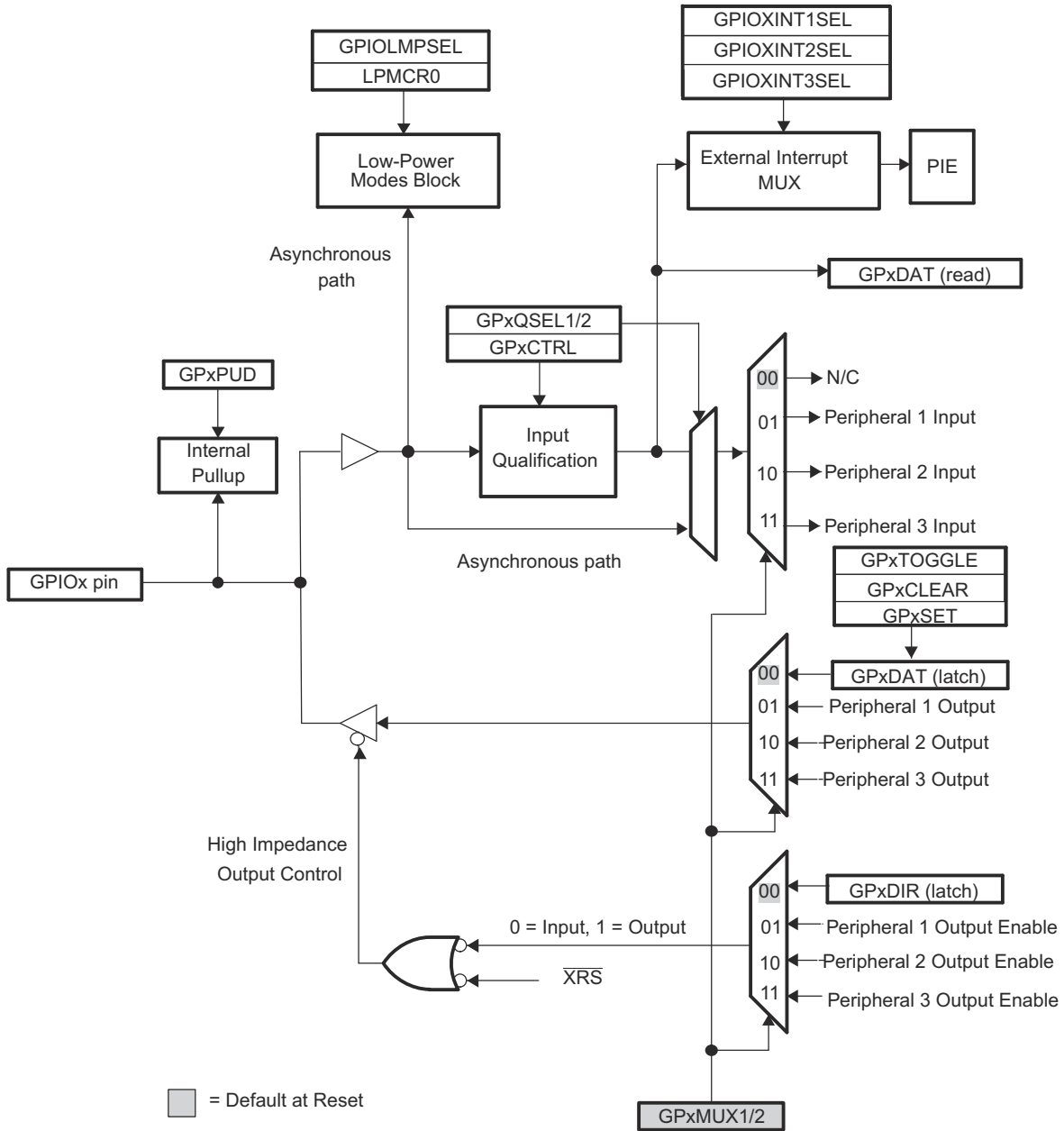
|                                  | DEFAULT AT RESET<br>PRIMARY I/O FUNCTION | PERIPHERAL<br>SELECTION 1 <sup>(1)</sup> | PERIPHERAL<br>SELECTION 2 <sup>(1)</sup> | PERIPHERAL<br>SELECTION 3 <sup>(1)</sup> |
|----------------------------------|--|--|--|--|
| <b>GPBMUX1 REGISTER<br/>BITS</b> | <b>(GPBMUX1 BITS = 00)</b>               | <b>(GPBMUX1 BITS = 01)</b>               | <b>(GPBMUX1 BITS = 10)</b>               | <b>(GPBMUX1 BITS = 11)</b>               |
| 1:0                              | GPIO32                                   | SDAA (I/OD)                              | EPWMSYNCl (I)                            | EQEP1S (I/O)                             |
| 3:2                              | GPIO33                                   | SCLA (I/OD)                              | EPWMSYNCO (O)                            | EQEP1I (I/O)                             |
| 5:4                              | GPIO34                                   | Reserved                                 | Reserved                                 | CTRIPPFCOUT (O)                          |
| 7:6                              | GPIO35 (TDI)                             | Reserved                                 | Reserved                                 | Reserved                                 |
| 9:8                              | GPIO36 (TMS)                             | Reserved                                 | Reserved                                 | Reserved                                 |
| 11:10                            | GPIO37 (TDO)                             | Reserved                                 | Reserved                                 | Reserved                                 |
| 13:12                            | GPIO38/XCLKIN (TCK)                      | Reserved                                 | Reserved                                 | Reserved                                 |
| 15:14                            | GPIO39                                   | Reserved                                 | SCIRXDC (I)                              | CTRIPPFCOUT (O)                          |
| 17:16                            | GPIO40                                   | EPWM7A (O)                               | Reserved                                 | Reserved                                 |
| 19:18                            | Reserved                                 | Reserved                                 | Reserved                                 | Reserved                                 |
| 21:20                            | GPIO42                                   | EPWM7B (O)                               | SCITXDC (O)                              | CTRIPM1OUT (O)                           |
| 23:22                            | Reserved                                 | Reserved                                 | Reserved                                 | Reserved                                 |
| 25:24                            | Reserved                                 | Reserved                                 | Reserved                                 | Reserved                                 |
| 27:26                            | Reserved                                 | Reserved                                 | Reserved                                 | Reserved                                 |
| 29:28                            | Reserved                                 | Reserved                                 | Reserved                                 | Reserved                                 |
| 31:30                            | Reserved                                 | Reserved                                 | Reserved                                 | Reserved                                 |

(1) I = Input, O = Output, OD = Open Drain

The user can select the type of input qualification for each GPIO pin through the GPxQSEL1/2 registers from four choices:

- Synchronization to SYSCLKOUT Only (GPxQSEL1/2 = 0, 0): This mode is the default mode of all GPIO pins at reset and this mode simply synchronizes the input signal to the system clock (SYSCLKOUT).
- Qualification Using Sampling Window (GPxQSEL1/2 = 0, 1 and 1, 0): In this mode the input signal, after synchronization to the system clock (SYSCLKOUT), is qualified by a specified number of cycles before the input is allowed to change.
- The sampling period is specified by the QUALPRD bits in the GPxCTRL register and is configurable in groups of 8 signals. The sampling period specifies a multiple of SYSCLKOUT cycles for sampling the input signal. The sampling window is either 3-samples or 6-samples wide and the output is only changed when ALL samples are the same (all 0s or all 1s) as shown in [Figure 8-45](#) (for 6 sample mode).
- No Synchronization (GPxQSEL1/2 = 1,1): This mode is used for peripherals where synchronization is not required (synchronization is performed within the peripheral).

Due to the multilevel multiplexing that is required on the device, there may be cases where a peripheral input signal can be mapped to more than one GPIO pin. Also, when an input signal is not selected, the input signal will default to either a 0 or 1 state, depending on the peripheral.



- A. The letter x stands for the port, either A or B. For example, GPxDIR refers to either the GPADIR and GPBDIR register depending on the particular GPIO pin selected.
- B. GPxDAT latch/read are accessed at the same memory location.
- C. This diagram is a generic GPIO MUX block diagram. Not all options may be applicable for all GPIO pins. See the Systems Control and Interrupts chapter of the [TMS320x2805x Real-Time Microcontrollers Technical Reference Manual](#) for pin-specific variations.

**Figure 8-43. GPIO Multiplexing**

### 8.9.12.2 GPIO Register Descriptions

The device supports 42 GPIO pins. The GPIO control and data registers are mapped to Peripheral Frame 1 to enable 32-bit operations on the registers (along with 16-bit operations). [Table 8-51](#) provides the GPIO register mapping.

**Table 8-51. GPIO Registers**

| NAME  | ADDRESS | SIZE (×16) | DESCRIPTION                                       |
|---|---------|------------|---|
| <b>GPIO CONTROL REGISTERS (EALLOW PROTECTED)</b>                              |         |            |   |
| GPACTRL   | 0x6F80  | 2          | GPIO A Control register (GPIO0 to 31)             |
| GPAQSEL1  | 0x6F82  | 2          | GPIO A Qualifier Select 1 register (GPIO0 to 15)  |
| GPAQSEL2  | 0x6F84  | 2          | GPIO A Qualifier Select 2 register (GPIO16 to 31) |
| GPAMUX1   | 0x6F86  | 2          | GPIO A MUX 1 register (GPIO0 to 15)               |
| GPAMUX2   | 0x6F88  | 2          | GPIO A MUX 2 register (GPIO16 to 31)              |
| GPADIR  | 0x6F8A  | 2          | GPIO A Direction register (GPIO0 to 31)           |
| GPAPUD  | 0x6F8C  | 2          | GPIO A Pull Up Disable register (GPIO0 to 31)     |
| GPBCTRL   | 0x6F90  | 2          | GPIO B Control register (GPIO32 to 44)            |
| GPBQSEL1  | 0x6F92  | 2          | GPIO B Qualifier Select 1 register (GPIO32 to 44) |
| GPBMUX1   | 0x6F96  | 2          | GPIO B MUX 1 register (GPIO32 to 44)              |
| GPBDIR  | 0x6F9A  | 2          | GPIO B Direction register (GPIO32 to 44)          |
| GPBPUD  | 0x6F9C  | 2          | GPIO B Pull Up Disable register (GPIO32 to 44)    |
| Reserved  | 0x6FB6  | 2          | Reserved  |
| Reserved  | 0x6FBA  | 2          | Reserved  |
| <b>GPIO DATA REGISTERS (NOT EALLOW PROTECTED)</b>                             |         |            |   |
| GPADAT  | 0x6FC0  | 2          | GPIO A Data register (GPIO0 to 31)                |
| GPASET  | 0x6FC2  | 2          | GPIO A Data Set register (GPIO0 to 31)            |
| GPACLEAR  | 0x6FC4  | 2          | GPIO A Data Clear register (GPIO0 to 31)          |
| GPATOGGLE   | 0x6FC6  | 2          | GPIO A Data Toggle register (GPIO0 to 31)         |
| GPBDAT  | 0x6FC8  | 2          | GPIO B Data register (GPIO32 to 44)               |
| GPBSET  | 0x6FCA  | 2          | GPIO B Data Set register (GPIO32 to 44)           |
| GPBCLEAR  | 0x6FCC  | 2          | GPIO B Data Clear register (GPIO32 to 44)         |
| GPBTOGGLE   | 0x6FCE  | 2          | GPIO B Data Toggle register (GPIO32 to 44)        |
| Reserved  | 0x6FD8  | 2          | Reserved  |
| Reserved  | 0x6FDA  | 2          | Reserved  |
| Reserved  | 0x6FDC  | 2          | Reserved  |
| Reserved  | 0x6FDE  | 2          | Reserved  |
| <b>GPIO INTERRUPT AND LOW POWER MODES SELECT REGISTERS (EALLOW PROTECTED)</b> |         |            |   |
| GPIOXINT1SEL  | 0x6FE0  | 1          | XINT1 GPIO Input Select register (GPIO0 to 31)    |
| GPIOXINT2SEL  | 0x6FE1  | 1          | XINT2 GPIO Input Select register (GPIO0 to 31)    |
| GPIOXINT3SEL  | 0x6FE2  | 1          | XINT3 GPIO Input Select register (GPIO0 to 31)    |
| GPIOLPMSSEL   | 0x6FE8  | 2          | LPM GPIO Select register (GPIO0 to 31)            |

#### Note

There is a two-SYSCLKOUT cycle delay from when the write to the GPxMUXn and GPxQSELn registers occurs to when the action is valid.

### 8.9.12.3 GPIO Electrical Data/Timing

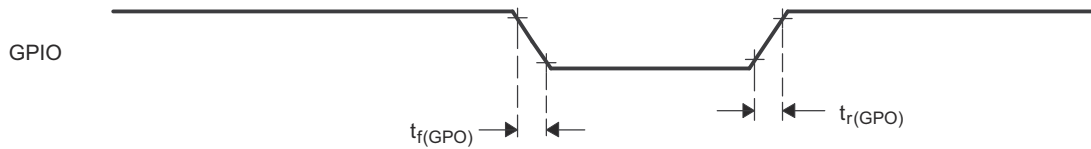
#### 8.9.12.3.1 GPIO - Output Timing

##### 8.9.12.3.1.1 General-Purpose Output Switching Characteristics

over recommended operating conditions (unless otherwise noted)

| PARAMETER    |                                       |           | MIN | MAX               | UNIT |
|--------------|---------------------------------------|-----------|-----|-------------------|------|
| $t_{r(GPO)}$ | Rise time, GPIO switching low to high | All GPIOs |     | 13 <sup>(1)</sup> | ns   |
| $t_{f(GPO)}$ | Fall time, GPIO switching high to low | All GPIOs |     | 13 <sup>(1)</sup> | ns   |
| $t_{GPO}$    | Toggleing frequency                   |           |     | 15                | MHz  |

- (1) Rise time and fall time vary with electrical loading on I/O pins. Values given in Section 8.9.12.3.1.1 are applicable for a 40-pF load on I/O pins.



**Figure 8-44. General-Purpose Output Timing**

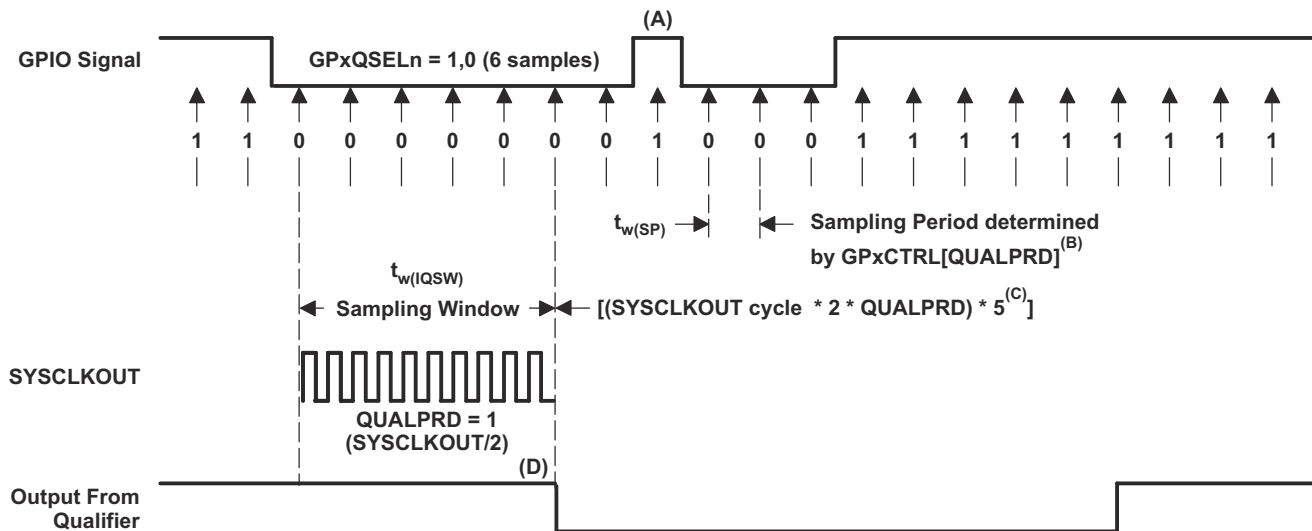
### 8.9.12.3.2 GPIO - Input Timing

#### 8.9.12.3.2.1 General-Purpose Input Timing Requirements

|                    |                                 |                      | MIN                                     | MAX | UNIT   |
|--------------------|---------------------------------|----------------------|---|-----|--------|
| $t_{w(SP)}$        | Sampling period                 | QUALPRD = 0          | $1t_{c(SCO)}$                           |     | cycles |
|                    |                                 | QUALPRD $\neq$ 0     | $2t_{c(SCO)} * QUALPRD$                 |     | cycles |
| $t_{w(IQSW)}$      | Input qualifier sampling window |                      | $t_{w(SP)} * (n^{(1)} - 1)$             |     | cycles |
| $t_{w(GPI)}^{(2)}$ | Pulse duration, GPIO low/high   | Synchronous mode     | $2t_{c(SCO)}$                           |     | cycles |
|                    |                                 | With input qualifier | $t_{w(IQSW)} + t_{w(SP)} + 1t_{c(SCO)}$ |     | cycles |

(1) The letter n represents the number of qualification samples as defined by GPxQSELn register.

(2) For  $t_{w(GPI)}$ , pulse width is measured from  $V_{IL}$  to  $V_{IL}$  for an active low signal and  $V_{IH}$  to  $V_{IH}$  for an active high signal.



- A. This glitch will be ignored by the input qualifier. The QUALPRD bit field specifies the qualification sampling period. The QUALPRD bit field value can vary from 00 to 0xFF. If QUALPRD = 00, then the sampling period is 1 SYSCLKOUT cycle. For any other value n, the qualification sampling period in 2n SYSCLKOUT cycles (that is, at every 2n SYSCLKOUT cycles, the GPIO pin will be sampled).
- B. The qualification period selected through the GPxCTRL register applies to groups of 8 GPIO pins.
- C. The qualification block can take either three or six samples. The GPxQSELn Register selects which sample mode is used.
- D. In the example shown, for the qualifier to detect the change, the input should be stable for 10 SYSCLKOUT cycles or greater. In other words, the inputs should be stable for  $(5 * QUALPRD * 2)$  SYSCLKOUT cycles. This condition would ensure 5 sampling periods for detection to occur. Because external signals are driven asynchronously, an 13-SYSCLKOUT-wide pulse ensures reliable recognition.

**Figure 8-45. Sampling Mode**

### 8.9.12.3.3 Sampling Window Width for Input Signals

The following section summarizes the sampling window width for input signals for various input qualifier configurations.

Sampling frequency denotes how often a signal is sampled with respect to SYSCLKOUT.

Sampling frequency =  $\text{SYSCLKOUT} / (2 \times \text{QUALPRD})$ , if  $\text{QUALPRD} \neq 0$

Sampling frequency =  $\text{SYSCLKOUT}$ , if  $\text{QUALPRD} = 0$

Sampling period =  $\text{SYSCLKOUT cycle} \times 2 \times \text{QUALPRD}$ , if  $\text{QUALPRD} \neq 0$

In the preceding equations, SYSCLKOUT cycle indicates the time period of SYSCLKOUT.

Sampling period =  $\text{SYSCLKOUT cycle}$ , if  $\text{QUALPRD} = 0$

In a given sampling window, either 3 or 6 samples of the input signal are taken to determine the validity of the signal. The number of samples is determined by the value written to GPxQSELn register.

#### Case 1:

Qualification using 3 samples

Sampling window width =  $(\text{SYSCLKOUT cycle} \times 2 \times \text{QUALPRD}) \times 2$ , if  $\text{QUALPRD} \neq 0$

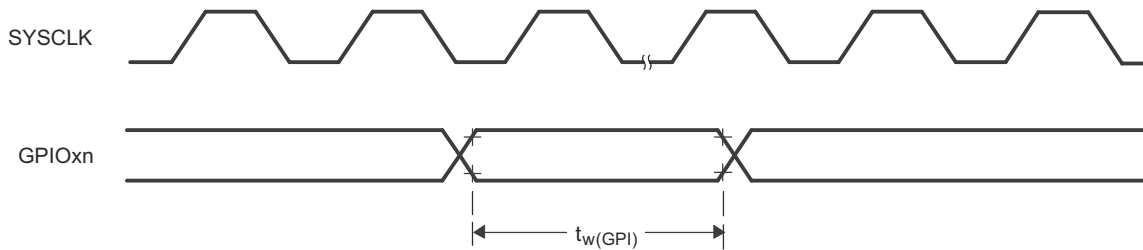
Sampling window width =  $(\text{SYSCLKOUT cycle}) \times 2$ , if  $\text{QUALPRD} = 0$

#### Case 2:

Qualification using 6 samples

Sampling window width =  $(\text{SYSCLKOUT cycle} \times 2 \times \text{QUALPRD}) \times 5$ , if  $\text{QUALPRD} \neq 0$

Sampling window width =  $(\text{SYSCLKOUT cycle}) \times 5$ , if  $\text{QUALPRD} = 0$



**Figure 8-46. General-Purpose Input Timing**

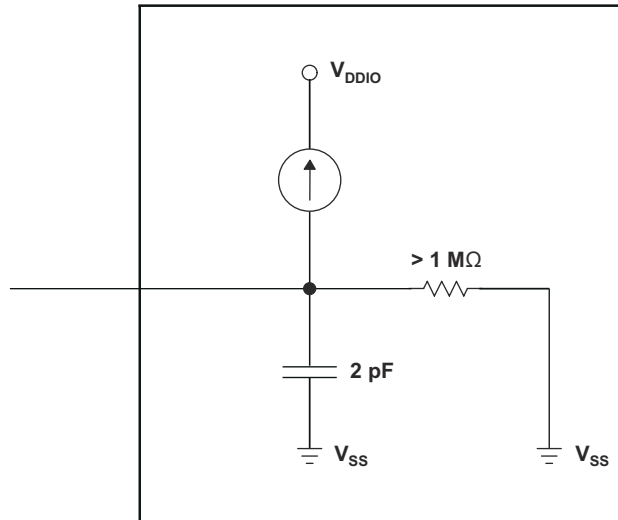


Figure 8-47. Input Resistance Model for a GPIO Pin With an Internal Pullup

### 8.9.12.3.4 Low-Power Mode Wakeup Timing

Section 8.9.12.3.4.1 provides the timing requirements, Section 8.9.12.3.4.2 provides the switching characteristics, and Figure 8-48 shows the timing diagram for IDLE mode.

#### 8.9.12.3.4.1 IDLE Mode Timing Requirements

|  |                         | MIN                         | MAX | UNIT   |
|--|-------------------------|-----------------------------|-----|--------|
| $t_{w(WAKE-INT)}$ <sup>(1)</sup> Pulse duration, external wake-up signal | Without input qualifier | $2t_{c(SCO)}$               |     | cycles |
|  | With input qualifier    | $5t_{c(SCO)} + t_{w(IQSW)}$ |     |        |

(1) For an explanation of the input qualifier parameters, see Section 8.9.12.3.2.1.

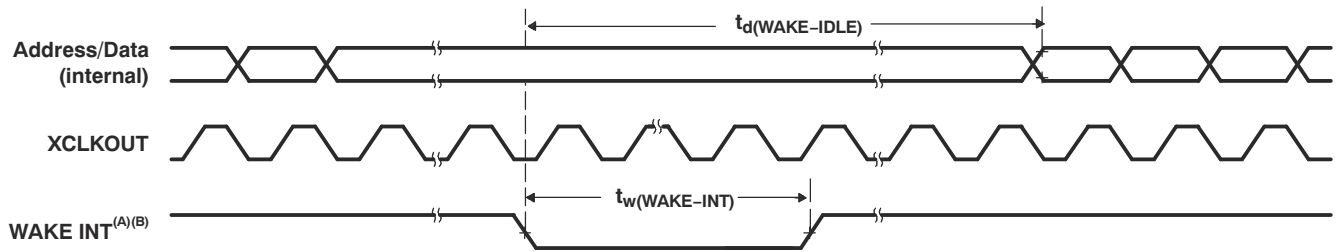
#### 8.9.12.3.4.2 IDLE Mode Switching Characteristics

over recommended operating conditions (unless otherwise noted)

| PARAMETER                         |   | TEST CONDITIONS         | MIN                          | MAX                            | UNIT   |
|-----------------------------------|---|-------------------------|------------------------------|--------------------------------|--------|
| $t_{d(WAKE-IDLE)}$ <sup>(1)</sup> | Delay time, external wake signal to program execution resume <sup>(2)</sup> |                         |                              |                                | cycles |
|                                   | • Wake up from flash<br>– Flash module in active state                      | Without input qualifier |                              | $20t_{c(SCO)}$                 | cycles |
|                                   |   | With input qualifier    |                              | $20t_{c(SCO)} + t_{w(IQSW)}$   |        |
|                                   | • Wake up from flash<br>– Flash module in sleep state                       | Without input qualifier |                              | $1050t_{c(SCO)}$               | cycles |
|                                   |   | With input qualifier    |                              | $1050t_{c(SCO)} + t_{w(IQSW)}$ |        |
|                                   | • Wake up from SARAM  | Without input qualifier |                              | $20t_{c(SCO)}$                 | cycles |
| With input qualifier              |   |                         | $20t_{c(SCO)} + t_{w(IQSW)}$ |                                |        |

(1) For an explanation of the input qualifier parameters, see Section 8.9.12.3.2.1.

(2) This delay time is the time taken to begin execution of the instruction that immediately follows the IDLE instruction. execution of an ISR (triggered by the wakeup) signal involves additional latency.



A. WAKE INT can be any enabled interrupt,  $\overline{WDINT}$  or  $\overline{XRS}$ . After the IDLE instruction is executed, a delay of 5 OSCCLK cycles (minimum) is needed before the wake-up signal could be asserted.

B. From the time the IDLE instruction is executed to place the device into low-power mode (LPM), wakeup should not be initiated until at least 4 OSCCLK cycles have elapsed.

Figure 8-48. IDLE Entry and Exit Timing

### 8.9.12.3.4.3 STANDBY Mode Timing Requirements

|                   |   |   | MIN                               | MAX | UNIT   |
|-------------------|---|---|-----------------------------------|-----|--------|
| $t_{w(WAKE-INT)}$ | Pulse duration, external wake-up signal | Without input qualification             | $3t_{c(OSCCLK)}$                  |     | cycles |
|                   |   | With input qualification <sup>(1)</sup> | $(2 + QUALSTDBY) * t_{c(OSCCLK)}$ |     |        |

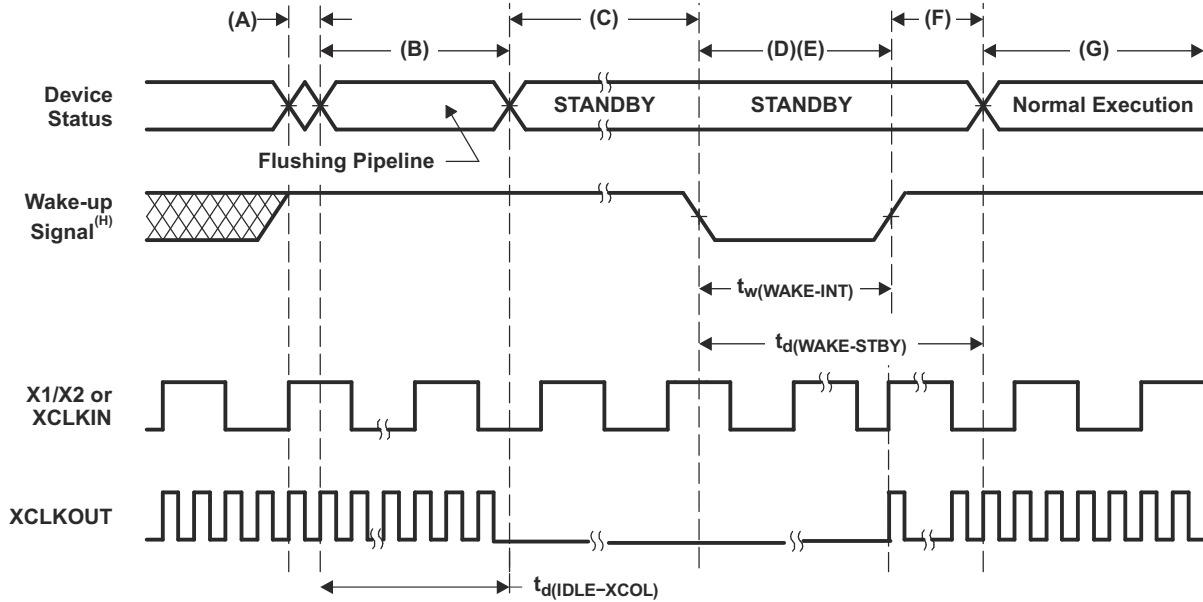
(1) QUALSTDBY is a 6-bit field in the LPMCR0 register.

### 8.9.12.3.4.4 STANDBY Mode Switching Characteristics

over recommended operating conditions (unless otherwise noted)

| PARAMETER            |   | TEST CONDITIONS         | MIN                               | MAX                                | UNIT   |
|----------------------|---|-------------------------|-----------------------------------|------------------------------------|--------|
| $t_{d(IDLE-XCOL)}$   | Delay time, IDLE instruction executed to XCLKOUT low                        |                         | $32t_{c(SCO)}$                    | $45t_{c(SCO)}$                     | cycles |
| $t_{d(WAKE-STBY)}$   | Delay time, external wake signal to program execution resume <sup>(1)</sup> |                         |                                   |                                    | cycles |
|                      | • Wake up from flash<br>– Flash module in active state                      | Without input qualifier |                                   | $100t_{c(SCO)}$                    | cycles |
|                      |   | With input qualifier    |                                   | $100t_{c(SCO)} + t_{w(WAKE-INT)}$  |        |
|                      | • Wake up from flash<br>– Flash module in sleep state                       | Without input qualifier |                                   | $1125t_{c(SCO)}$                   | cycles |
|                      |   | With input qualifier    |                                   | $1125t_{c(SCO)} + t_{w(WAKE-INT)}$ |        |
|                      | • Wake up from SARAM  | Without input qualifier |                                   | $100t_{c(SCO)}$                    | cycles |
| With input qualifier |   |                         | $100t_{c(SCO)} + t_{w(WAKE-INT)}$ |                                    |        |

(1) This delay time is the time taken to begin execution of the instruction that immediately follows the IDLE instruction. execution of an ISR (triggered by the wake up signal) involves additional latency.



- A. IDLE instruction is executed to put the device into STANDBY mode.
- B. The PLL block responds to the STANDBY signal. SYSCLKOUT is held for the number of cycles indicated as follows before being turned off:
- 16 cycles, when DIVSEL = 00 or 01
  - 32 cycles, when DIVSEL = 10
  - 64 cycles, when DIVSEL = 11
- This delay enables the CPU pipeline and any other pending operations to flush properly.
- C. Clock to the peripherals are turned off. However, the PLL and watchdog are not shut down. The device is now in STANDBY mode. After the IDLE instruction is executed, a delay of 5 OSCCLK cycles (minimum) is needed before the wake-up signal could be asserted.
- D. The external wake-up signal is driven active.
- E. The wake-up signal fed to a GPIO pin to wake up the device must meet the minimum pulse width requirement. Furthermore, this signal must be free of glitches. If a noisy signal is fed to a GPIO pin, the wake-up behavior of the device will not be deterministic and the device may not exit low-power mode for subsequent wake-up pulses.
- F. After a latency period, the STANDBY mode is exited.
- G. Normal execution resumes. The device will respond to the interrupt (if enabled).
- H. From the time the IDLE instruction is executed to place the device into low-power mode, wakeup should not be initiated until at least 4 OSCCLK cycles have elapsed.

**Figure 8-49. STANDBY Entry and Exit Timing Diagram**

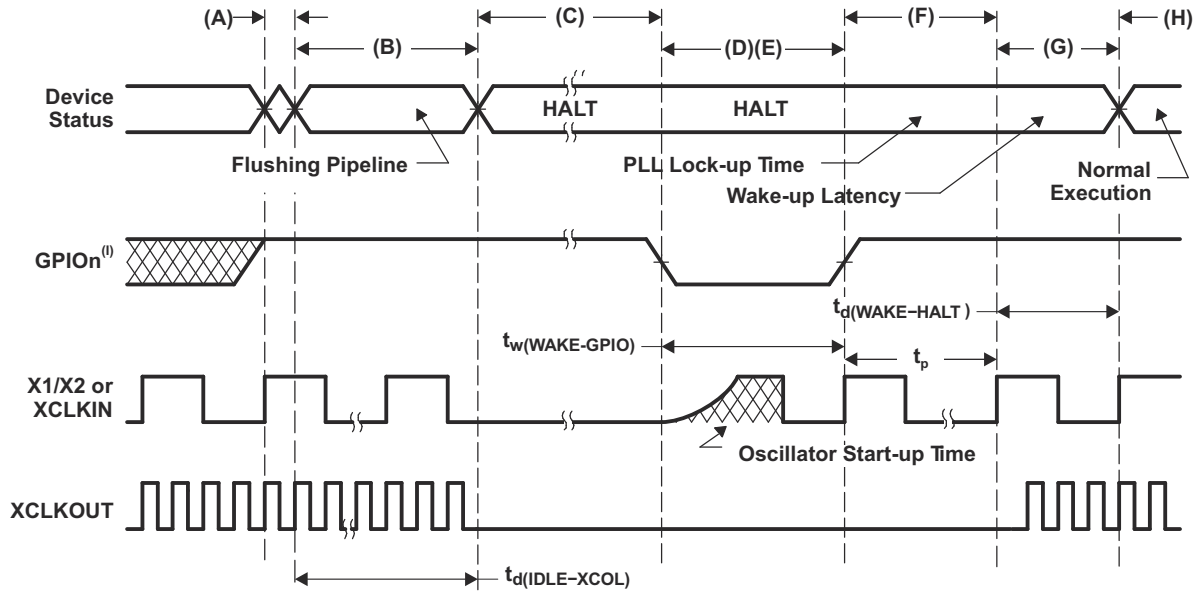
#### 8.9.12.3.4.5 HALT Mode Timing Requirements

|                           |                                     | MIN | MAX | UNIT   |
|---------------------------|-------------------------------------|-----|-----|--------|
| $t_{w(\text{WAKE-GPIO})}$ | Pulse duration, GPIO wake-up signal |     |     | cycles |
| $t_{w(\text{WAKE-XRS})}$  | Pulse duration, XRS wake-up signal  |     |     | cycles |

#### 8.9.12.3.4.6 HALT Mode Switching Characteristics

over recommended operating conditions (unless otherwise noted)

| PARAMETER                 |  | MIN                   | MAX                     | UNIT   |
|---------------------------|--|-----------------------|-------------------------|--------|
| $t_{d(\text{IDLE-XCOL})}$ | Delay time, IDLE instruction executed to XCLKOUT low   | $32t_{c(\text{SCO})}$ | $45t_{c(\text{SCO})}$   | cycles |
| $t_p$                     | PLL lock-up time   |                       | 1                       | ms     |
| $t_{d(\text{WAKE-HALT})}$ | Delay time, PLL lock to program execution resume <ul style="list-style-type: none"> <li>• Wake up from flash                             <ul style="list-style-type: none"> <li>– Flash module in sleep state</li> </ul> </li> </ul> |                       | $1125t_{c(\text{SCO})}$ | cycles |
|                           | <ul style="list-style-type: none"> <li>• Wake up from SARAM</li> </ul>   |                       | $35t_{c(\text{SCO})}$   | cycles |



- A. IDLE instruction is executed to put the device into HALT mode.
- B. The PLL block responds to the HALT signal. SYSCLKOUT is held for the number of cycles indicated as follows before oscillator is turned off and the CLKIN to the core is stopped:
  - 16 cycles, when DIVSEL = 00 or 01
  - 32 cycles, when DIVSEL = 10
  - 64 cycles, when DIVSEL = 11

This delay enables the CPU pipeline and any other pending operations to flush properly.

- C. Clocks to the peripherals are turned off and the PLL is shut down. If a quartz crystal or ceramic resonator is used as the clock source, the internal oscillator is shut down as well. The device is now in HALT mode and consumes absolute minimum power. It is possible to keep the zero-pin internal oscillators (INTOSC1 and INTOSC2) and the watchdog alive in HALT mode. Keeping INTOSC1, INTOSC2, and the watchdog alive in HALT mode is done by writing to the appropriate bits in the CLKCTL register. After the IDLE instruction is executed, a delay of 5 OSCCLK cycles (minimum) is needed before the wake-up signal could be asserted.
- D. When the GPIO pin (used to bring the device out of HALT) is driven low, the oscillator is turned on and the oscillator wake-up sequence is initiated. The GPIO pin should be driven high only after the oscillator has stabilized, which enables the provision of a clean clock signal during the PLL lock sequence. Because the falling edge of the GPIO pin asynchronously begins the wake-up procedure, care should be taken to maintain a low noise environment prior to entering and during HALT mode.
- E. The wake-up signal fed to a GPIO pin to wake up the device must meet the minimum pulse width requirement. Furthermore, this signal must be free of glitches. If a noisy signal is fed to a GPIO pin, the wake-up behavior of the device will not be deterministic and the device may not exit low-power mode for subsequent wake-up pulses.
- F. Once the oscillator has stabilized, the PLL lock sequence is initiated, which takes 1 ms.
- G. When CLKIN to the core is enabled, the device will respond to the interrupt (if enabled), after a latency. The HALT mode is now exited.
- H. Normal operation resumes.
- I. From the time the IDLE instruction is executed to place the device into low-power mode, wakeup should not be initiated until at least 4 OSCCLK cycles have elapsed.

**Figure 8-50. HALT Wake-Up Using GPIO**

## 9 Applications, Implementation, and Layout

---

### Note

Information in the following applications sections is not part of the TI component specification, and TI does not warrant its accuracy or completeness. TI's customers are responsible for determining suitability of components for their purposes, as well as validating and testing their design implementation to confirm system functionality.

---

### 9.1 TI Reference Design

The TI Reference Design Library is a robust reference design library spanning analog, embedded processor, and connectivity. Created by TI experts to help you jump start your system design, all reference designs include schematic or block diagrams, BOMs, and design files to speed your time to market. Search and download designs at the [Select TI reference designs](#) page.

#### [Single-axis Motor Control Reference Design with Integrated Power Factor Correction](#)

This reference design demonstrates best practices for integrating both single-axis motor control and power factor correction (PFC) into a single microcontroller. This practice is popular when designing variable-frequency compressors, particularly for HVAC systems. This implementation is optimized to perform using a sensorless Field Oriented Control (FOC) algorithm to drive a permanent magnet synchronous motor (PMSM) and two phase interleaved PFC on the TMS320F2805x microcontroller. The FOC algorithm maintains efficiency in a wide range of speeds and considers torque changes with transient phases by processing a dynamic model of the motor.

## 10 Device and Documentation Support

### 10.1 Getting Started

To get started with C2000 real-time microcontrollers, see the [C2000 real-time microcontrollers – Design & development](#) page.

### 10.2 Device and Development Support Tool Nomenclature

To designate the stages in the product development cycle, TI assigns prefixes to the part numbers of all TMS320™ MCU devices and support tools. Each TMS320 MCU commercial family member has one of three prefixes: TMX, TMP, or TMS (for example, **TMS320F28055**). Texas Instruments recommends two of three possible prefix designators for its support tools: TMDX and TMDS. These prefixes represent evolutionary stages of product development from engineering prototypes (with TMX for devices and TMDX for tools) through fully qualified production devices and tools (with TMS for devices and TMDS for tools).

Device development evolutionary flow:

**TMX** Experimental device that is not necessarily representative of the final device's electrical specifications and may not use production assembly flow.

**TMP** Prototype device that is not necessarily the final silicon die and may not necessarily meet final electrical specifications.

**TMS** Production version of the silicon die that is fully qualified.

Support tool development evolutionary flow:

**TMDX** Development-support product that has not yet completed Texas Instruments internal qualification testing.

**TMDS** Fully-qualified development-support product.

TMX and TMP devices and TMDX development-support tools are shipped against the following disclaimer:

"Developmental product is intended for internal evaluation purposes."

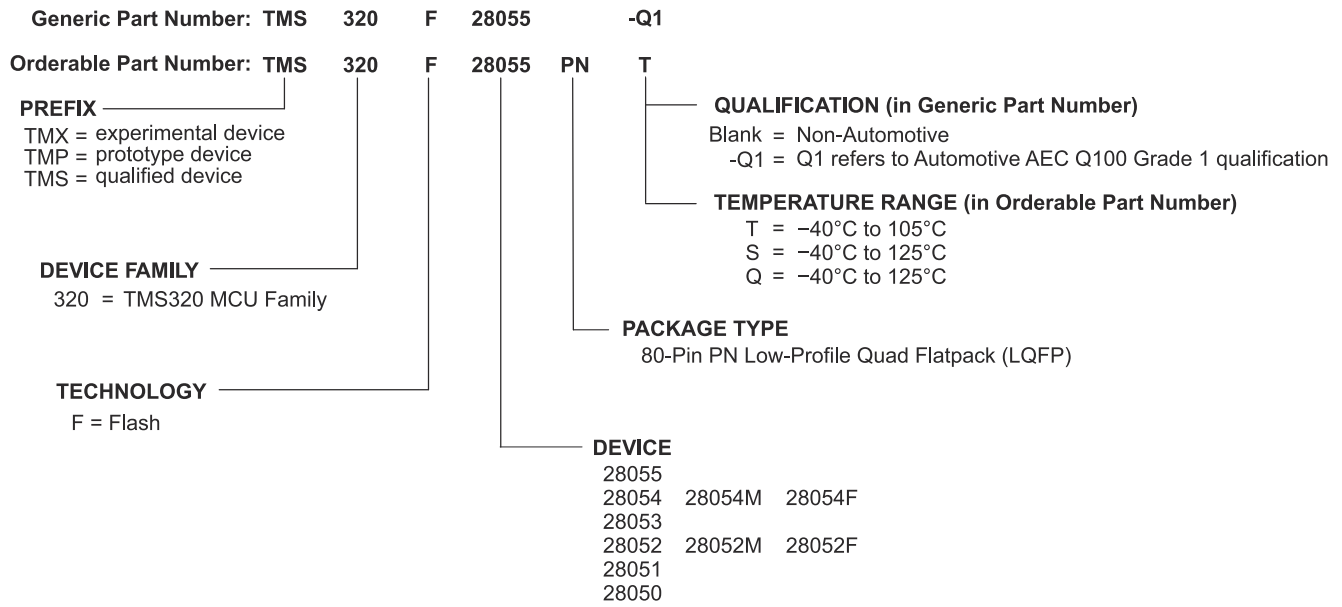
Production devices and TMDS development-support tools have been characterized fully, and the quality and reliability of the device have been demonstrated fully. TI's standard warranty applies.

Predictions show that prototype devices (X or P) have a greater failure rate than the standard production devices. Texas Instruments recommends that these devices not be used in any production system because their expected end-use failure rate still is undefined. Only qualified production devices are to be used.

TI device nomenclature also includes a suffix with the device family name. This suffix indicates the package type (for example, PN) and temperature range (for example, T). [Figure 10-1](#) provides a legend for reading the complete device name for any family member.

For device part numbers and further ordering information, see the TI website ([www.ti.com](http://www.ti.com)) or contact your TI sales representative.

For additional description of the device nomenclature markings on the die, see the [TMS320F2805x Real-Time MCUs Silicon Errata](#).



**Figure 10-1. Device Nomenclature**

### 10.3 Tools and Software

TI offers an extensive line of development tools. Some of the tools and software to evaluate the performance of the device, generate code, and develop solutions are listed here. To view all available tools and software for C2000™ real-time control MCUs, visit the [C2000 real-time control MCUs – Design & development](#) page.

#### Development Tools

##### [controlCARD with TMS320F28054MPNT, InstaSPIN-FOC and InstaSPIN-MOTION enabled](#)

Featuring the TMS320F28054M MCU, capable of running the InstaSPIN-FOC™ and InstaSPIN-MOTION™ solutions from on-chip ROM, the TMDSCNCD28054MISO controlCARD provides a convenient and standardized hardware interface to begin experimentation with the latest motor control technology from Texas Instruments.

##### [F2805x Isolated USB controlCARD](#)

C2000™ controlCARDS from Texas Instruments are a unique set of daughtercards enabling experimentation with C2000's broad portfolio of MCUs for device evaluation and application development. Designed with a DIM100 or larger, plug-in connector, controlCARDS are easily interchangeable throughout C2000's collection of development kits, giving users the ability to experiment with various C2000 MCUs to find the correct MCU fit for an application. controlCARDS give access to all digital I/Os, analog I/Os, and JTAG signals from the C2000 MCU, providing a simple, modular, and standardized board-level interface to the C2000 MCU. Software, support, and documentation, are provided completely free through C2000's C2000Ware software platform. Learn more and download C2000Ware today by visiting the [C2000Ware for C2000 MCUs](#) page.

##### [F2805x Experimenter Kit](#)

C2000™ Experimenters Kits from Texas Instruments are device evaluation kits, providing a platform for initial device exploration and prototyping. Each Experimenters Kit includes a docking station and a plug-in compatible controlCARD, which docks directly onto the docking station. The docking station features onboard USB JTAG emulation, access to all C2000 MCU signals from the controlCARD, breadboard areas for experimentation, and JTAG and RS-232 connectors. For software development, Code Composer Studio (CCS) Integrated Development Environment (IDE) is included for free with use of the onboard XDS100 USB JTAG debug probe. Device software, support, example projects, libraries, and documentation are provided completely free through the C2000 C2000Ware software platform. Learn more and download C2000Ware today by visiting the [C2000Ware for C2000 MCUs](#) page.

## Software Tools

### [C2000Ware for C2000 MCUs](#)

C2000Ware for C2000 microcontrollers is a cohesive set of development software and documentation designed to minimize software development time. From device-specific drivers and libraries to device peripheral examples, C2000Ware provides a solid foundation to begin development and evaluation. C2000Ware is the recommended content delivery tool versus controlSUITE™.

### [Code Composer Studio \(CCS\) Integrated Development Environment \(IDE\) for C2000 Microcontrollers](#)

Code Composer Studio is an integrated development environment (IDE) that supports TI's Microcontroller and Embedded Processors portfolio. CCS comprises a suite of tools used to develop and debug embedded applications. It includes an optimizing C/C++ compiler, source code editor, project build environment, debugger, profiler, and many other features. The intuitive IDE provides a single user interface taking the user through each step of the application development flow. Familiar tools and interfaces let users get started faster than ever before. CCS combines the advantages of the Eclipse software framework with advanced embedded debug capabilities from TI resulting in a compelling feature-rich development environment for embedded developers.

### [Pin Mux Tool](#)

The Pin Mux Utility is a software tool which provides a Graphical User Interface for configuring pin multiplexing settings, resolving conflicts and specifying I/O cell characteristics for TI MPUs.

### [UniFlash Standalone Flash Tool](#)

UniFlash is a standalone tool used to program on-chip flash memory through a GUI, command line, or scripting interface.

[C2000 Third-party search tool](#) TI has partnered with multiple companies to offer a wide range of solutions and services for TI C2000 devices. These companies can accelerate your path to production using C2000 devices. Download this search tool to quickly browse third-party details and find the right third-party to meet your needs.

## Models

Various models are available for download from the product Tools & Software pages. These include I/O Buffer Information Specification (IBIS) Models and Boundary-Scan Description Language (BSDL) Models. To view all available models, visit the Models section of the Tools & Software page for each device.

## Training

To help assist design engineers in taking full advantage of the C2000 microcontroller features and performance, TI has developed a variety of training resources. Utilizing the online training materials and downloadable hands-on workshops provides an easy means for gaining a complete working knowledge of the C2000 microcontroller family. These training resources have been designed to decrease the learning curve, while reducing development time, and accelerating product time to market. For more information on the various training resources, visit the [C2000™ real-time control MCUs – Support & training](#) site.

## 10.4 Documentation Support

To receive notification of documentation updates, navigate to the device product folder on [ti.com](http://ti.com). Click on *Subscribe to updates* to register and receive a weekly digest of any product information that has changed. For change details, review the revision history included in any revised document.

The current documentation that describes the processor, related peripherals, and other technical collateral is listed here.

### Errata

[TMS320F2805x Real-Time MCUs Silicon Errata](#) describes known advisories on silicon and provides workarounds.

### InstaSPIN Technical Reference Manuals

[InstaSPIN-FOC™ and InstaSPIN-MOTION™ User's Guide](#) describes the InstaSPIN-FOC and InstaSPIN-MOTION devices.

[TMS320F28054F, TMS320F28052F InstaSPIN-FOC™ Software Technical Reference Manual](#) describes TMS320F28054F and TMS320F28052F InstaSPIN-FOC software.

[TMS320F28054M, TMS320F28052M InstaSPIN-MOTION™ Software Technical Reference Manual](#) describes TMS320F28054M and TMS320F28052M InstaSPIN-MOTION software.

### CPU User's Guides

[TMS320C28x CPU and Instruction Set Reference Guide](#) describes the central processing unit (CPU) and the assembly language instructions of the TMS320C28x fixed-point digital signal processors (DSPs). This reference guide also describes emulation features available on these DSPs.

### Peripheral Guides and Technical Reference Manuals

[C2000 Real-Time Control Peripherals Reference Guide](#) describes the peripheral reference guides of the 28x digital signal processors (DSPs).

[TMS320x2805x Real-Time Microcontrollers Technical Reference Manual](#) details the integration, the environment, the functional description, and the programming models for each peripheral and subsystem in the 2805x microcontrollers.

### Tools Guides

[TMS320C28x Assembly Language Tools v21.6.0.LTS User's Guide](#) describes the assembly language tools (assembler and other tools used to develop assembly language code), assembler directives, macros, common object file format, and symbolic debugging directives for the TMS320C28x device.

[TMS320C28x Optimizing C/C++ Compiler v21.6.0.LTS User's Guide](#) describes the TMS320C28x C/C++ compiler. This compiler accepts ANSI standard C/C++ source code and produces TMS320 DSP assembly language source code for the TMS320C28x device.

### Application Reports

[Semiconductor Packing Methodology](#) describes the packing methodologies employed to prepare semiconductor devices for shipment to end users.

[Calculating Useful Lifetimes of Embedded Processors](#) provides a methodology for calculating the useful lifetime of TI embedded processors (EPs) under power when used in electronic systems. It is aimed at general engineers who wish to determine if the reliability of the TI EP meets the end system reliability requirement.

[Semiconductor and IC Package Thermal Metrics](#) describes traditional and new thermal metrics and puts their application in perspective with respect to system-level junction temperature estimation.

[MCU CAN Module Operation Using the On-Chip Zero-Pin Oscillator.](#)

The TMS320F2803x/TMS320F2805x/TMS320F2806x series of microcontrollers have an on-chip zero-pin oscillator that needs no external components. This application report describes how to use the CAN module with this oscillator to operate at the maximum bit rate and bus length without the added cost of an external clock source.

[An Introduction to IBIS \(I/O Buffer Information Specification\) Modeling](#) discusses various aspects of IBIS including its history, advantages, compatibility, model generation flow, data requirements in modeling the input/output structures and future trends.

[Serial Flash Programming of C2000™ Microcontrollers](#) discusses using a flash kernel and ROM loaders for serial programming a device.

## 10.5 Support Resources

[TI E2E™ support forums](#) are an engineer's go-to source for fast, verified answers and design help — straight from the experts. Search existing answers or ask your own question to get the quick design help you need.

Linked content is provided "AS IS" by the respective contributors. They do not constitute TI specifications and do not necessarily reflect TI's views; see TI's [Terms of Use](#).

## 10.6 Trademarks

TMS320C2000™, DSP/BIOS™, TMS320™, InstaSPIN-FOC™, InstaSPIN-MOTION™, controlSUITE™, and TI E2E™ are trademarks of Texas Instruments.

All trademarks are the property of their respective owners.

## 10.7 Electrostatic Discharge Caution



This integrated circuit can be damaged by ESD. Texas Instruments recommends that all integrated circuits be handled with appropriate precautions. Failure to observe proper handling and installation procedures can cause damage.

ESD damage can range from subtle performance degradation to complete device failure. Precision integrated circuits may be more susceptible to damage because very small parametric changes could cause the device not to meet its published specifications.

## 10.8 Glossary

[TI Glossary](#) This glossary lists and explains terms, acronyms, and definitions.

## 11 Mechanical, Packaging, and Orderable Information

### 11.1 Packaging Information

The following pages include mechanical, packaging, and orderable information. This information is the most current data available for the designated devices. This data is subject to change without notice and revision of this document. For browser-based versions of this data sheet, refer to the left-hand navigation.

**PACKAGING INFORMATION**

| Orderable Device | Status<br>(1) | Package Type | Package Drawing | Pins | Package Qty | Eco Plan<br>(2) | Lead finish/<br>Ball material<br>(6) | MSL Peak Temp<br>(3) | Op Temp (°C) | Device Marking<br>(4/5) | Samples                 |
|------------------|---------------|--------------|-----------------|------|-------------|-----------------|--------------------------------------|----------------------|--------------|-------------------------|-------------------------|
| TMS320F28050PNS  | ACTIVE        | LQFP         | PN              | 80   | 119         | RoHS & Green    | NIPDAU                               | Level-3-260C-168 HR  | -40 to 125   | F28050PNS<br>TMS320     | <a href="#">Samples</a> |
| TMS320F28051PNS  | ACTIVE        | LQFP         | PN              | 80   | 119         | RoHS & Green    | NIPDAU                               | Level-3-260C-168 HR  | -40 to 125   | F28051PNS<br>TMS320     | <a href="#">Samples</a> |
| TMS320F28051PNT  | ACTIVE        | LQFP         | PN              | 80   | 119         | RoHS & Green    | NIPDAU                               | Level-3-260C-168 HR  | -40 to 105   | F28051PNT<br>TMS320     | <a href="#">Samples</a> |
| TMS320F28052FPNQ | ACTIVE        | LQFP         | PN              | 80   | 119         | RoHS & Green    | NIPDAU                               | Level-3-260C-168 HR  | -40 to 125   | F28052FPNQ<br>TMS320    | <a href="#">Samples</a> |
| TMS320F28052FPNT | ACTIVE        | LQFP         | PN              | 80   | 119         | RoHS & Green    | NIPDAU                               | Level-3-260C-168 HR  | -40 to 105   | F28052FPNT<br>TMS320    | <a href="#">Samples</a> |
| TMS320F28052MPNQ | ACTIVE        | LQFP         | PN              | 80   | 119         | RoHS & Green    | NIPDAU                               | Level-3-260C-168 HR  | -40 to 125   | F28052MPNQ<br>TMS320    | <a href="#">Samples</a> |
| TMS320F28052MPNT | ACTIVE        | LQFP         | PN              | 80   | 119         | RoHS & Green    | NIPDAU                               | Level-3-260C-168 HR  | -40 to 105   | F28052MPNT<br>TMS320    | <a href="#">Samples</a> |
| TMS320F28052PNQ  | ACTIVE        | LQFP         | PN              | 80   | 119         | RoHS & Green    | NIPDAU                               | Level-3-260C-168 HR  | -40 to 125   | F28052PNQ<br>TMS320     | <a href="#">Samples</a> |
| TMS320F28052PNS  | ACTIVE        | LQFP         | PN              | 80   | 119         | RoHS & Green    | NIPDAU                               | Level-3-260C-168 HR  | -40 to 125   | F28052PNS<br>TMS320     | <a href="#">Samples</a> |
| TMS320F28052PNT  | ACTIVE        | LQFP         | PN              | 80   | 119         | RoHS & Green    | NIPDAU                               | Level-3-260C-168 HR  | -40 to 105   | F28052PNT<br>TMS320     | <a href="#">Samples</a> |
| TMS320F28053PNS  | ACTIVE        | LQFP         | PN              | 80   | 119         | RoHS & Green    | NIPDAU                               | Level-3-260C-168 HR  | -40 to 125   | F28053PNS<br>TMS320     | <a href="#">Samples</a> |
| TMS320F28054FPNQ | ACTIVE        | LQFP         | PN              | 80   | 119         | RoHS & Green    | NIPDAU                               | Level-3-260C-168 HR  | -40 to 125   | F28054FPNQ<br>TMS320    | <a href="#">Samples</a> |
| TMS320F28054FPNT | ACTIVE        | LQFP         | PN              | 80   | 119         | RoHS & Green    | NIPDAU                               | Level-3-260C-168 HR  | -40 to 105   | F28054FPNT<br>TMS320    | <a href="#">Samples</a> |
| TMS320F28054MPNQ | ACTIVE        | LQFP         | PN              | 80   | 119         | RoHS & Green    | NIPDAU                               | Level-3-260C-168 HR  | -40 to 125   | F28054MPNQ<br>TMS320    | <a href="#">Samples</a> |
| TMS320F28054MPNT | ACTIVE        | LQFP         | PN              | 80   | 119         | RoHS & Green    | NIPDAU                               | Level-3-260C-168 HR  | -40 to 105   | F28054MPNT<br>TMS320    | <a href="#">Samples</a> |
| TMS320F28054PNQ  | ACTIVE        | LQFP         | PN              | 80   | 119         | RoHS & Green    | NIPDAU                               | Level-3-260C-168 HR  | -40 to 125   | F28054PNQ<br>TMS320     | <a href="#">Samples</a> |
| TMS320F28054PNS  | ACTIVE        | LQFP         | PN              | 80   | 119         | RoHS & Green    | NIPDAU                               | Level-3-260C-168 HR  | -40 to 125   | F28054PNS               | <a href="#">Samples</a> |

| Orderable Device | Status<br>(1) | Package Type | Package Drawing | Pins | Package Qty | Eco Plan<br>(2) | Lead finish/<br>Ball material<br>(6) | MSL Peak Temp<br>(3) | Op Temp (°C) | Device Marking<br>(4/5) | Samples                 |
|------------------|---------------|--------------|-----------------|------|-------------|-----------------|--------------------------------------|----------------------|--------------|-------------------------|-------------------------|
|                  |               |              |                 |      |             |                 |                                      |                      |              | TMS320                  |                         |
| TMS320F28055PNS  | ACTIVE        | LQFP         | PN              | 80   | 119         | RoHS & Green    | NIPDAU                               | Level-3-260C-168 HR  | -40 to 125   | F28055PNS<br>TMS320     | <a href="#">Samples</a> |
| TMS320F28055PNT  | ACTIVE        | LQFP         | PN              | 80   | 119         | RoHS & Green    | NIPDAU                               | Level-3-260C-168 HR  | -40 to 105   | F28055PNT<br>TMS320     | <a href="#">Samples</a> |

(1) The marketing status values are defined as follows:

**ACTIVE:** Product device recommended for new designs.

**LIFEBUY:** TI has announced that the device will be discontinued, and a lifetime-buy period is in effect.

**NRND:** Not recommended for new designs. Device is in production to support existing customers, but TI does not recommend using this part in a new design.

**PREVIEW:** Device has been announced but is not in production. Samples may or may not be available.

**OBsolete:** TI has discontinued the production of the device.

(2) **RoHS:** TI defines "RoHS" to mean semiconductor products that are compliant with the current EU RoHS requirements for all 10 RoHS substances, including the requirement that RoHS substance do not exceed 0.1% by weight in homogeneous materials. Where designed to be soldered at high temperatures, "RoHS" products are suitable for use in specified lead-free processes. TI may reference these types of products as "Pb-Free".

**RoHS Exempt:** TI defines "RoHS Exempt" to mean products that contain lead but are compliant with EU RoHS pursuant to a specific EU RoHS exemption.

**Green:** TI defines "Green" to mean the content of Chlorine (Cl) and Bromine (Br) based flame retardants meet JS709B low halogen requirements of <=100ppm threshold. Antimony trioxide based flame retardants must also meet the <=1000ppm threshold requirement.

(3) MSL, Peak Temp. - The Moisture Sensitivity Level rating according to the JEDEC industry standard classifications, and peak solder temperature.

(4) There may be additional marking, which relates to the logo, the lot trace code information, or the environmental category on the device.

(5) Multiple Device Markings will be inside parentheses. Only one Device Marking contained in parentheses and separated by a "-" will appear on a device. If a line is indented then it is a continuation of the previous line and the two combined represent the entire Device Marking for that device.

(6) Lead finish/Ball material - Orderable Devices may have multiple material finish options. Finish options are separated by a vertical ruled line. Lead finish/Ball material values may wrap to two lines if the finish value exceeds the maximum column width.

**Important Information and Disclaimer:**The information provided on this page represents TI's knowledge and belief as of the date that it is provided. TI bases its knowledge and belief on information provided by third parties, and makes no representation or warranty as to the accuracy of such information. Efforts are underway to better integrate information from third parties. TI has taken and continues to take reasonable steps to provide representative and accurate information but may not have conducted destructive testing or chemical analysis on incoming materials and chemicals. TI and TI suppliers consider certain information to be proprietary, and thus CAS numbers and other limited information may not be available for release.

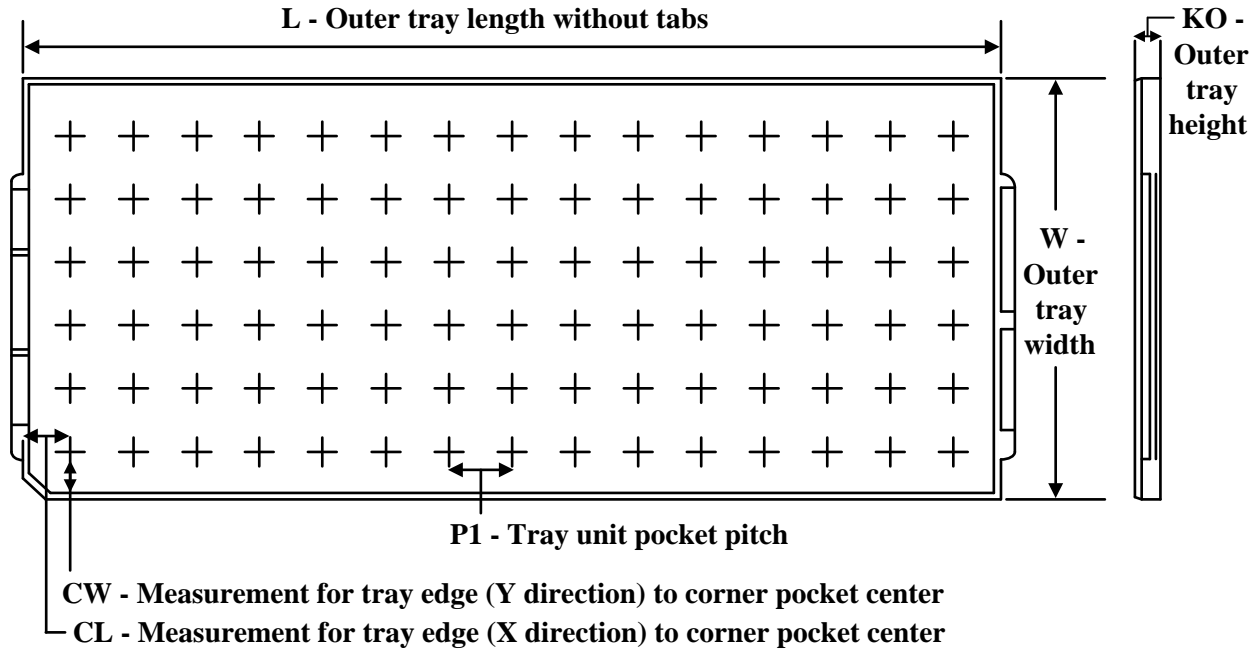
In no event shall TI's liability arising out of such information exceed the total purchase price of the TI part(s) at issue in this document sold by TI to Customer on an annual basis.

**OTHER QUALIFIED VERSIONS OF TMS320F28052, TMS320F28052-Q1, TMS320F28052F, TMS320F28052F-Q1, TMS320F28052M, TMS320F28052M-Q1, TMS320F28054, TMS320F28054-Q1, TMS320F28054F, TMS320F28054F-Q1, TMS320F28054M, TMS320F28054M-Q1 :**

- Catalog: [TMS320F28052](#), [TMS320F28052F](#), [TMS320F28052M](#), [TMS320F28054](#), [TMS320F28054F](#), [TMS320F28054M](#)
- Automotive: [TMS320F28052-Q1](#), [TMS320F28052F-Q1](#), [TMS320F28052M-Q1](#), [TMS320F28054-Q1](#), [TMS320F28054F-Q1](#), [TMS320F28054M-Q1](#)

NOTE: Qualified Version Definitions:

- Catalog - TI's standard catalog product
- Automotive - Q100 devices qualified for high-reliability automotive applications targeting zero defects

**TRAY**


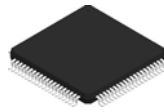
Chamfer on Tray corner indicates Pin 1 orientation of packed units.

\*All dimensions are nominal

| Device           | Package Name | Package Type | Pins | SPQ | Unit array matrix | Max temperature (°C) | L (mm) | W (mm) | K0 (µm) | P1 (mm) | CL (mm) | CW (mm) |
|------------------|--------------|--------------|------|-----|-------------------|----------------------|--------|--------|---------|---------|---------|---------|
| TMS320F28050PNS  | PN           | LQFP         | 80   | 119 | 7 X 17            | 150                  | 315    | 135.9  | 7620    | 17.9    | 14.3    | 13.95   |
| TMS320F28051PNS  | PN           | LQFP         | 80   | 119 | 7 X 17            | 150                  | 315    | 135.9  | 7620    | 17.9    | 14.3    | 13.95   |
| TMS320F28051PNT  | PN           | LQFP         | 80   | 119 | 7 X 17            | 150                  | 315    | 135.9  | 7620    | 17.9    | 14.3    | 13.95   |
| TMS320F28052FPNQ | PN           | LQFP         | 80   | 119 | 7 X 17            | 150                  | 315    | 135.9  | 7620    | 17.9    | 14.3    | 13.95   |
| TMS320F28052FPNT | PN           | LQFP         | 80   | 119 | 7 X 17            | 150                  | 315    | 135.9  | 7620    | 17.9    | 14.3    | 13.95   |
| TMS320F28052MPNQ | PN           | LQFP         | 80   | 119 | 7 X 17            | 150                  | 315    | 135.9  | 7620    | 17.9    | 14.3    | 13.95   |
| TMS320F28052MPNT | PN           | LQFP         | 80   | 119 | 7 X 17            | 150                  | 315    | 135.9  | 7620    | 17.9    | 14.3    | 13.95   |
| TMS320F28052PNQ  | PN           | LQFP         | 80   | 119 | 7 X 17            | 150                  | 315    | 135.9  | 7620    | 17.9    | 14.3    | 13.95   |
| TMS320F28052PNS  | PN           | LQFP         | 80   | 119 | 7 X 17            | 150                  | 315    | 135.9  | 7620    | 17.9    | 14.3    | 13.95   |
| TMS320F28052PNT  | PN           | LQFP         | 80   | 119 | 7 X 17            | 150                  | 315    | 135.9  | 7620    | 17.9    | 14.3    | 13.95   |
| TMS320F28053PNS  | PN           | LQFP         | 80   | 119 | 7 X 17            | 150                  | 315    | 135.9  | 7620    | 17.9    | 14.3    | 13.95   |
| TMS320F28054FPNQ | PN           | LQFP         | 80   | 119 | 7 X 17            | 150                  | 315    | 135.9  | 7620    | 17.9    | 14.3    | 13.95   |
| TMS320F28054FPNT | PN           | LQFP         | 80   | 119 | 7 X 17            | 150                  | 315    | 135.9  | 7620    | 17.9    | 14.3    | 13.95   |
| TMS320F28054MPNQ | PN           | LQFP         | 80   | 119 | 7 X 17            | 150                  | 315    | 135.9  | 7620    | 17.9    | 14.3    | 13.95   |
| TMS320F28054MPNT | PN           | LQFP         | 80   | 119 | 7 X 17            | 150                  | 315    | 135.9  | 7620    | 17.9    | 14.3    | 13.95   |
| TMS320F28054PNQ  | PN           | LQFP         | 80   | 119 | 7 X 17            | 150                  | 315    | 135.9  | 7620    | 17.9    | 14.3    | 13.95   |
| TMS320F28054PNS  | PN           | LQFP         | 80   | 119 | 7 X 17            | 150                  | 315    | 135.9  | 7620    | 17.9    | 14.3    | 13.95   |

| Device          | Package Name | Package Type | Pins | SPQ | Unit array matrix | Max temperature (°C) | L (mm) | W (mm) | K0 (µm) | P1 (mm) | CL (mm) | CW (mm) |
|-----------------|--------------|--------------|------|-----|-------------------|----------------------|--------|--------|---------|---------|---------|---------|
| TMS320F28055PNS | PN           | LQFP         | 80   | 119 | 7 X 17            | 150                  | 315    | 135.9  | 7620    | 17.9    | 14.3    | 13.95   |
| TMS320F28055PNT | PN           | LQFP         | 80   | 119 | 7 X 17            | 150                  | 315    | 135.9  | 7620    | 17.9    | 14.3    | 13.95   |

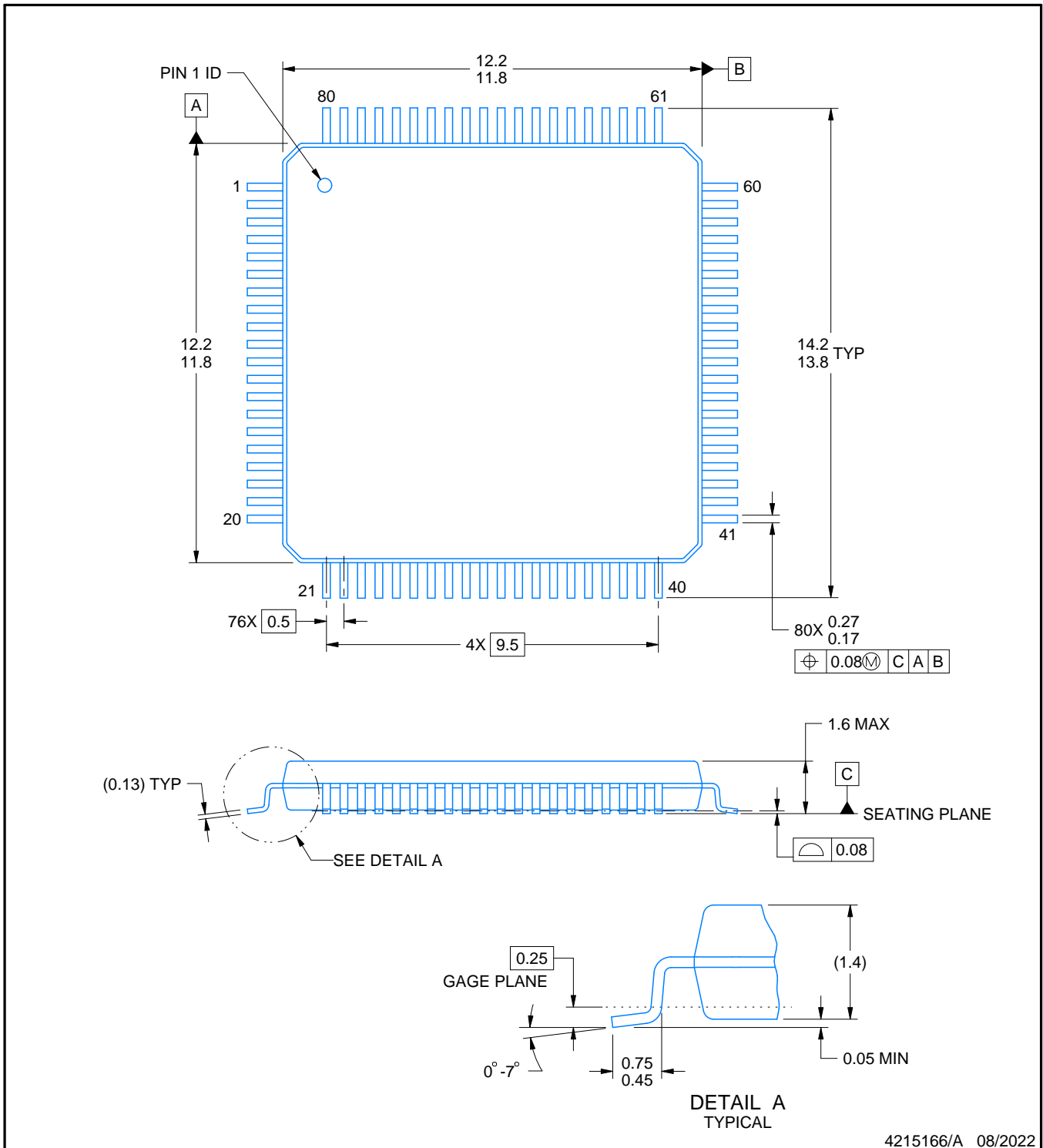
PN0080A



# PACKAGE OUTLINE

LQFP - 1.6 mm max height

PLASTIC QUAD FLATPACK



4215166/A 08/2022

NOTES:

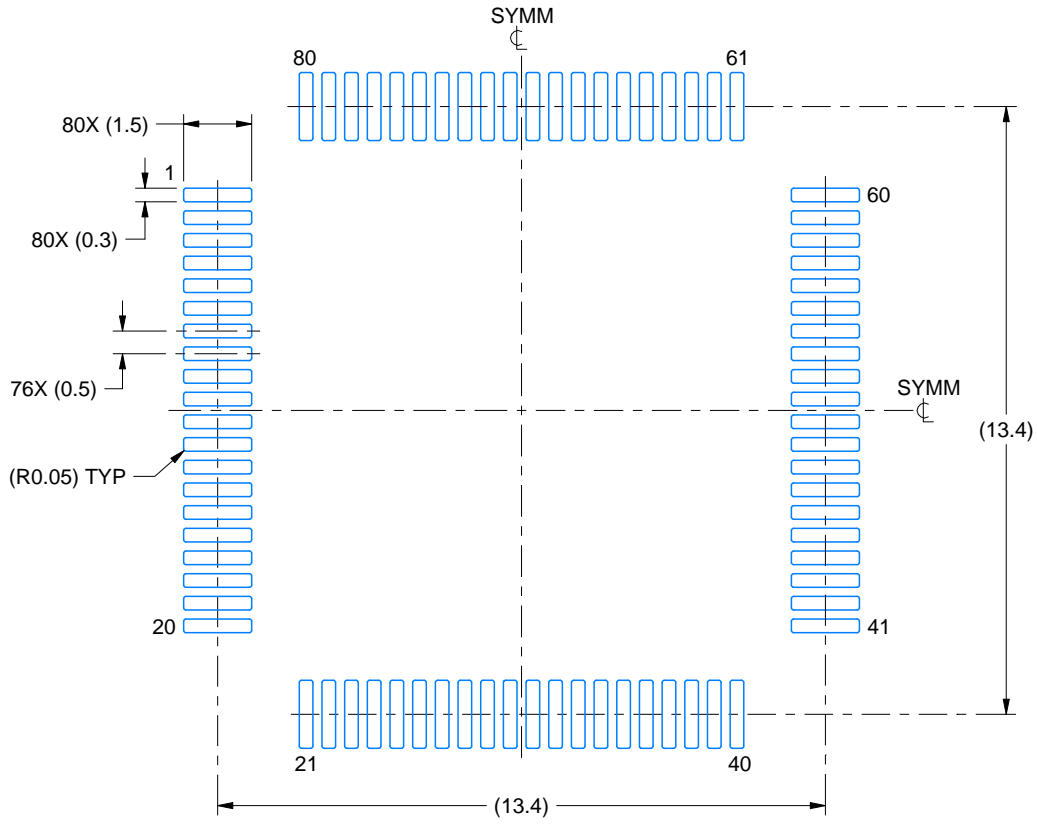
1. All linear dimensions are in millimeters. Any dimensions in parenthesis are for reference only. Dimensioning and tolerancing per ASME Y14.5M.
2. This drawing is subject to change without notice.
3. Reference JEDEC registration MS-026.

# EXAMPLE BOARD LAYOUT

PN0080A

LQFP - 1.6 mm max height

PLASTIC QUAD FLATPACK



LAND PATTERN EXAMPLE  
EXPOSED METAL SHOWN  
SCALE:6X



SOLDER MASK DETAILS

4215166/A 08/2022

NOTES: (continued)

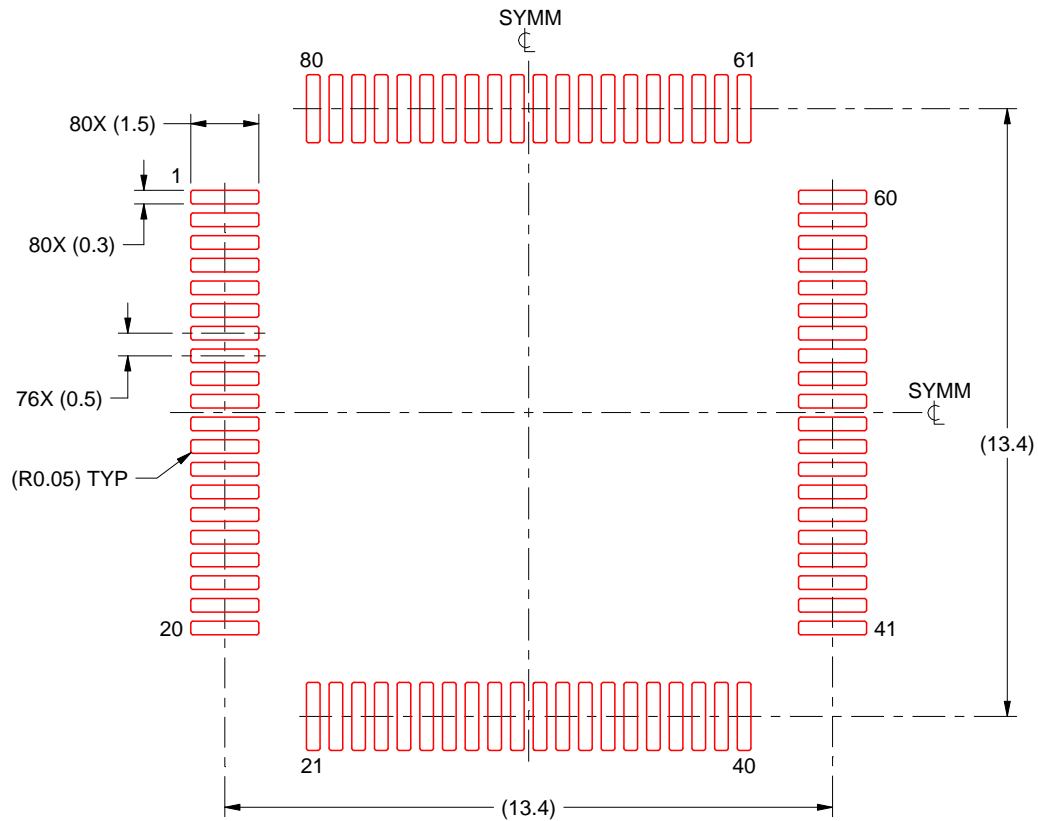
4. Publication IPC-7351 may have alternate designs.
5. Solder mask tolerances between and around signal pads can vary based on board fabrication site.
6. For more information, see Texas Instruments literature number SLMA004 ([www.ti.com/lit/slma004](http://www.ti.com/lit/slma004)).

# EXAMPLE STENCIL DESIGN

PN0080A

LQFP - 1.6 mm max height

PLASTIC QUAD FLATPACK



4215166/A 08/2022

NOTES: (continued)

7. Laser cutting apertures with trapezoidal walls and rounded corners may offer better paste release. IPC-7525 may have alternate design recommendations.
8. Board assembly site may have different recommendations for stencil design.

## IMPORTANT NOTICE AND DISCLAIMER

TI PROVIDES TECHNICAL AND RELIABILITY DATA (INCLUDING DATA SHEETS), DESIGN RESOURCES (INCLUDING REFERENCE DESIGNS), APPLICATION OR OTHER DESIGN ADVICE, WEB TOOLS, SAFETY INFORMATION, AND OTHER RESOURCES "AS IS" AND WITH ALL FAULTS, AND DISCLAIMS ALL WARRANTIES, EXPRESS AND IMPLIED, INCLUDING WITHOUT LIMITATION ANY IMPLIED WARRANTIES OF MERCHANTABILITY, FITNESS FOR A PARTICULAR PURPOSE OR NON-INFRINGEMENT OF THIRD PARTY INTELLECTUAL PROPERTY RIGHTS.

These resources are intended for skilled developers designing with TI products. You are solely responsible for (1) selecting the appropriate TI products for your application, (2) designing, validating and testing your application, and (3) ensuring your application meets applicable standards, and any other safety, security, regulatory or other requirements.

These resources are subject to change without notice. TI grants you permission to use these resources only for development of an application that uses the TI products described in the resource. Other reproduction and display of these resources is prohibited. No license is granted to any other TI intellectual property right or to any third party intellectual property right. TI disclaims responsibility for, and you will fully indemnify TI and its representatives against, any claims, damages, costs, losses, and liabilities arising out of your use of these resources.

TI's products are provided subject to [TI's Terms of Sale](#) or other applicable terms available either on [ti.com](https://www.ti.com) or provided in conjunction with such TI products. TI's provision of these resources does not expand or otherwise alter TI's applicable warranties or warranty disclaimers for TI products.

TI objects to and rejects any additional or different terms you may have proposed.

Mailing Address: Texas Instruments, Post Office Box 655303, Dallas, Texas 75265  
Copyright © 2024, Texas Instruments Incorporated

## Looking for pricing, stock, or lifecycle information?

Click below to explore more details on WIN SOURCE:

 [View TMS320F28054PNQ on WIN SOURCE](#)

 [Texas Instruments](#) Information

## Optimize Your Supply Chain with WIN SOURCE Solutions

-  Global Sourcing Solution
-  Obsolete Management
-  Cost Control Management
-  Shortage Management
-  Alternative Solution
-  Excess Inventory Management