



THE DATASHEET OF
246411067401894M



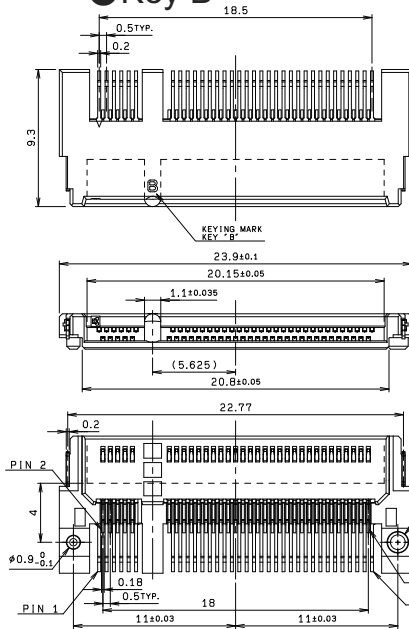
0.5mm Pitch

SERIES

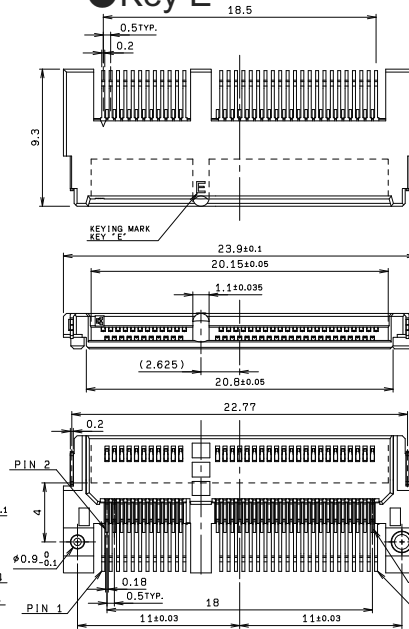
6411

PCI Express® M.2 コネクタ (M1.8 タイプ)
PCI Express® M.2 connectors (M1.8 type)

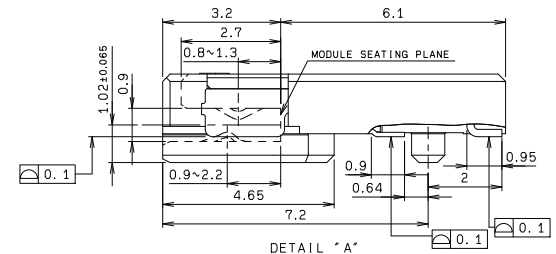
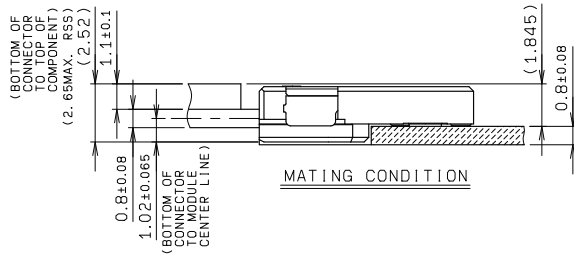
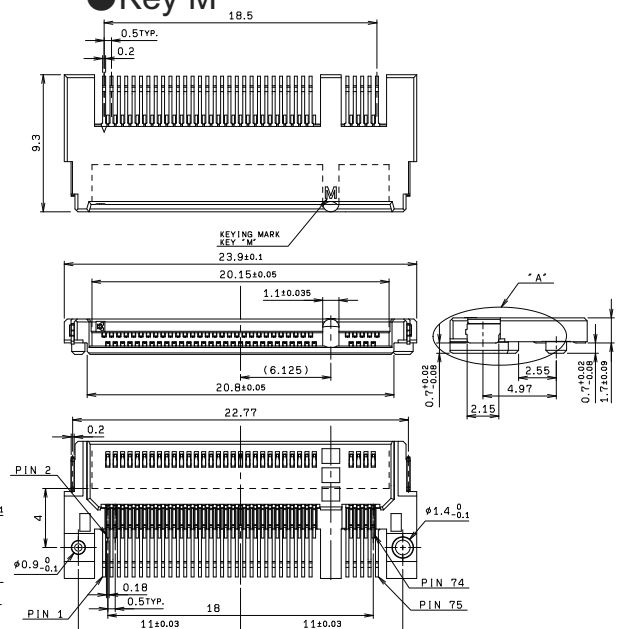
●Key B



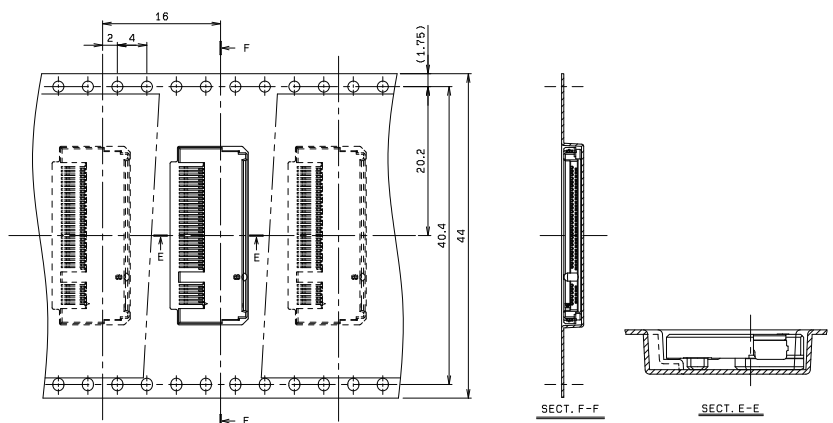
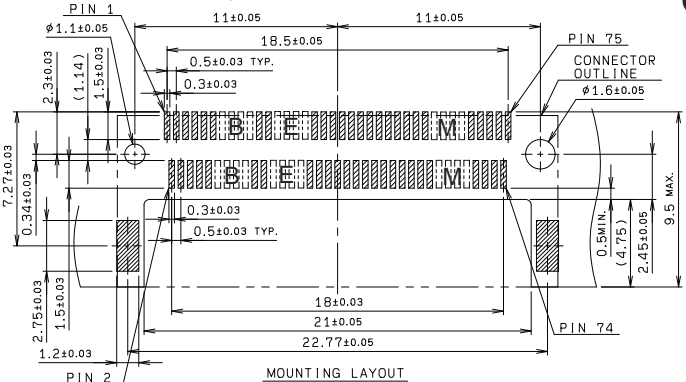
●Key E



●Key M



●Packaging



注文コード / Ordering Code

Part No. 24 6411 067 000 883X

RoHS 対応品
RoHS Compliant Product

極数 No. of Pos.

B: Key B
E: Key E
M: Key M

梱包数量: 1,000 個/リール
PACKING QUANTITY: 1,000/Reel

生産対応可能バリエーションや極数については、営業部にご確認願います。
Feel free to contact our sales department for available variation or number of positions.



●このカタログの記載内容については予告なく変更することがありますので、ご了承ください。
Specification of the catalogue might be changed without notice.
●御使用の際は、納入仕様書を確認の上、正しくお使いください。
Please verify our drawing and specification with your design.

Looking for pricing, stock, or lifecycle information?

Click below to explore more details on WIN SOURCE:

⊖ [View 246411067401894M on WIN SOURCE](#)

⊖ [AVX Corp/Kyocera Corp](#) Information

Optimize Your Supply Chain with WIN SOURCE Solutions

- ✓ Global Sourcing Solution
- ✓ Obsolete Management
- ✓ Cost Control Management
- ✓ Shortage Management
- ✓ Alternative Solution
- ✓ Excess Inventory Management