



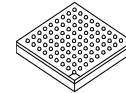
**THE DATASHEET OF  
MCIMX6V7DVN10AB**





MCIMX6V2CVM08AB

# i.MX 6SLL Applications Processors for Industrial Products



## Package Information

Plastic Package  
14 x 14 mm, 0.65 mm pitch BGA

|                                       |
|---------------------------------------|
| <b>Ordering Information</b>           |
| See <a href="#">Table 1 on page 2</a> |

## 1 Introduction

The i.MX 6SLL processor represents NXP's latest achievement in integrated multimedia applications processors, which are part of a growing family of multimedia-focused products that offer high performance processing and are optimized for lowest power consumption.

The processor features NXP's advanced implementation of a single Arm<sup>®</sup> Cortex<sup>®</sup>-A9, which operates at speeds up to 800 MHz. The processor provides a 32-bit DDR interface that supports LPDDR2 and LPDDR3. In addition, there are a number of other interfaces for connecting peripherals, such as WLAN, Bluetooth<sup>™</sup>, GPS, hard drive, displays, and camera sensors.

The i.MX 6SLL processor is specifically useful for applications, such as:

- Color and monochrome eReaders
- Barcode scanners
- Connectivity
- IoT devices

|   |    |
|---|----|
| 1. Introduction   | 1  |
| 1.1. Ordering Information                                 | 2  |
| 1.2. Features   | 3  |
| 2. Architectural Overview                                 | 6  |
| 2.1. Block Diagram  | 6  |
| 3. Modules List   | 7  |
| 3.1. Special Signal Considerations                        | 11 |
| 3.2. Recommended Connections for Unused Analog Interfaces | 13 |
| 4. Electrical Characteristics                             | 15 |
| 4.1. Chip-Level Conditions                                | 15 |
| 4.2. Power Supplies Requirements and Restrictions         | 23 |
| 4.3. Integrated LDO Voltage Regulator Parameters          | 24 |
| 4.4. PLL's Electrical Characteristics                     | 25 |
| 4.5. On-Chip Oscillators                                  | 26 |
| 4.6. I/O DC Parameters                                    | 27 |
| 4.7. I/O AC Parameters                                    | 31 |
| 4.8. Output Buffer Impedance Parameters                   | 34 |
| 4.9. System Modules Timing                                | 37 |
| 4.10. External Peripheral Interface Parameters            | 40 |
| 5. Boot Mode Configuration                                | 66 |
| 5.1. Boot Mode Configuration Pins                         | 66 |
| 5.2. Boot Devices Interfaces Allocation                   | 67 |
| 6. Package Information and Contact Assignments            | 68 |
| 6.1. 14 x 14 mm Package Information                       | 68 |
| 7. Revision History                                       | 88 |



The i.MX 6SLL processor features:

- Applications processor—The i.MX 6SLL incorporates a 1 GHz Cortex A9 with the NEON SIMD engine and a floating point engine that is optimized for low power consumption and includes hardware that allows dynamic voltage and frequency scaling (DVFS). This optimizes the voltage to the processor as the frequency changes with the demands of the application.
- Multilevel memory system—The multilevel memory system for the processor is based on the L1 instruction and data caches, L2 cache, and internal and external memory. The processor supports many types of external memory devices, including LPDDR2, LPDDR3, and eMMC.
- Powerful graphics acceleration—The processor has a 2D graphics processor called the pixel processor (PXP) that can support CSC, dithering, rotation, resize, and overlay.
- Interface flexibility—The processor supports connections to a variety of interfaces: high-speed USB on-the-go with PHY, high-speed USB host PHY, multiple expansion card ports (high-speed MMC/SDIO host and other), and a variety of other popular interfaces (such as UART, I<sup>2</sup>C, and I<sup>2</sup>S).
- Electronic Paper Display Controller—The processor integrates EPD controller that supports E-INK color and monochrome with up to 2332 x 1650 resolution and 5-bit grayscale.
- Advanced security—The processor delivers hardware-enabled security features that enable secure information encryption, secure boot, and secure software downloads. The security features are discussed in the *i.MX 6SLL Security Reference Manual (IMX6SLLSRM)*. Contact your local NXP representative for more information.
- GPIO with interrupt capabilities—The GPIO pad design supports configurable dual voltage rails at 1.8 V and 3.3 V supplies. The pad is configurable to interface at either voltage level.

## 1.1 Ordering Information

Table 1 shows the orderable part numbers covered by this data sheet.

**Table 1. Example Orderable Part Numbers**

| Part Number     | Feature   | Temperature (Tj) | Package                     |
|-----------------|---|------------------|-----------------------------|
| MCIMX6V2CVM08AB | Features supports: <ul style="list-style-type: none"> <li>• 800 MHz, industrial grade for general purpose</li> <li>• Basic security</li> <li>• With LCD/CSI</li> <li>• PXP</li> <li>• No EPDC</li> <li>• eMMC 5.0/SD 3.0 x3</li> <li>• USB OTG x2</li> <li>• UART x5</li> <li>• SSI x3</li> <li>• Timer x3</li> <li>• PWM x4</li> <li>• I2C x4</li> <li>• SPI x4</li> </ul> | -40 to +105 °C   | 14x14 mm, 0.65 mm pitch BGA |

Figure 1 describes the part number nomenclature so that characteristics of a specific part number can be identified (for example, Cores, Frequency, Temperature Grade, Fuse options, Silicon revision).

- The i.MX 6SLL Applications Processors for Industrial Products Data Sheet (IMX6SLLIEC) covers parts listed with a “C (Industrial temp)”

Ensure to have the right data sheet for specific part by checking the Temperature Grade (Junction) field and matching it to the right data sheet. If there are any questions, visit the web page [NXP.com/imx6series](http://NXP.com/imx6series) or contact a NXP representative.

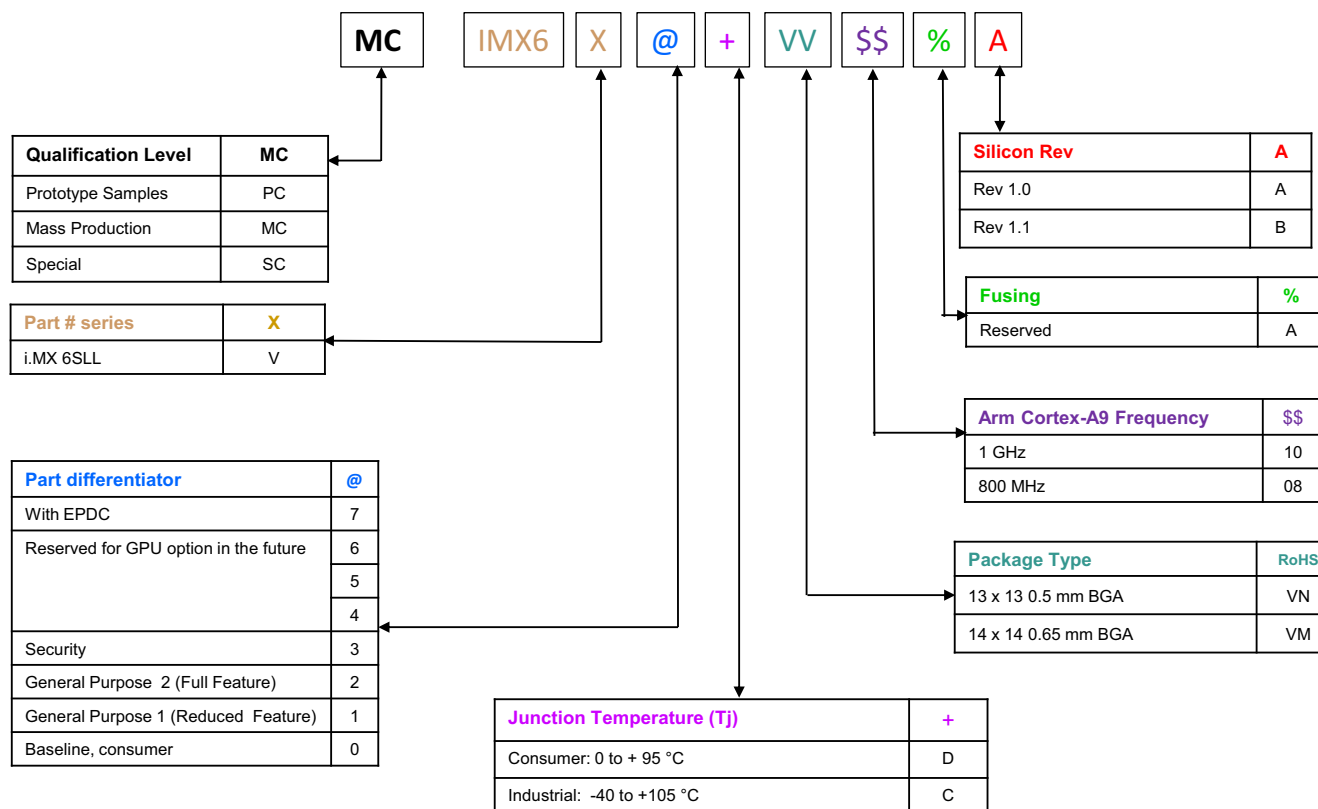


Figure 1. Part Number Nomenclature—i.MX 6SLL

## 1.2 Features

The i.MX 6SLL processor is based on Arm Cortex-A9 processor, which has the following features:

- Arm Cortex-A9 MPCore CPU processor (with TrustZone)
- The core configuration is symmetric, where each core includes:
  - 32 KByte L1 Instruction Cache
  - 32 KByte L1 Data Cache
  - Private Timer and Watchdog
  - Cortex-A9 NEON MPE (Media Processing Engine) co-processor

## Introduction

The Arm Cortex-A9 includes:

- General Interrupt Controller (GIC) with 128 interrupt support
- Global Timer
- 256 KB unified I/D L2 cache
- Two Master AXI (64-bit) bus interfaces output of L2 cache
- Frequency of the core (including NEON and L1 cache) as per [Table 9, "Operating Ranges," on page 19](#)
- NEON MPE coprocessor
  - SIMD Media Processing Architecture
  - NEON register file with 32x64-bit general-purpose registers
  - NEON Integer execute pipeline (ALU, Shift, MAC)
  - NEON dual, single-precision floating point execute pipeline (FADD, FMUL)
  - NEON load/store and permute pipeline

The SoC-level memory system consists of the following additional components:

- Boot ROM, including HAB (96 KB)
- Internal multimedia / shared, fast access RAM (OCRAM, 128 KB)
- External memory interfaces:
  - 32-bit LPDDR2/LPDDR3

Each i.MX 6SLL processor enables the following interfaces to external devices (some of them are muxed and not available simultaneously):

- Display:
  - EPDC, color, and monochrome E-INK, up to 2332x1650 resolution and 5-bit grayscale
  - 24-bit parallel LCD
- Expansion cards:
  - Three MMC/SD/SDIO card ports all supporting:
    - SD 3.0 support
    - eMMC 5.0 support in HS400 mode
- USB:
  - Two High Speed (HS) USB 2.0 OTG (Up to 480 Mbps), with integrated HS USB PHY
- Miscellaneous IPs and interfaces:
  - SSI block—capable of supporting audio sample frequencies up to 192 kHz stereo inputs and outputs with I<sup>2</sup>S mode
  - Five UARTs, up to 5.0 Mbps each:
    - Providing RS232 interface
    - Supporting 9-bit RS485 multidrop mode
    - One of the five UARTs supports 8-wire, while others four supports 4-wire. This is due to the SoC IOMUX limitation, since all UART IPs are identical.

- Four eCSPI (Enhanced CSPI)
- Three I<sup>2</sup>C, supporting 400 kbps
- Four Pulse Width Modulators (PWM)
- System JTAG Controller (SJC)
- GPIO with interrupt capabilities
- Sony Philips Digital Interface (SPDIF), Rx and Tx
- Two Watchdog timers (WDOG)
- Audio MUX (AUDMUX)

The i.MX 6SLL processor integrates power management unit and controllers:

- Provide PMU, including LDO supplies, for on-chip resources
- Use Temperature Sensor for monitoring the die temperature
- Support DVFS techniques for low power modes
- Use Software State Retention and Power Gating for Arm and NEON
- Support various levels of system power modes
- Use flexible clock gating control scheme

The i.MX 6SLL processor uses dedicated hardware accelerators to meet needs of E-INK Displays. The use of hardware accelerators is a key factor in obtaining high performance at low power consumption numbers, while having the CPU core relatively free for performing other tasks.

The i.MX 6SLL processor incorporates the following hardware accelerators:

- PXP—PiXel Processing Pipeline. Off loading key pixel processing operations are required to support the EPD display applications.

Security functions are enabled and accelerated by the following hardware:

- Arm TrustZone including the TZ architecture (separation of interrupts, memory mapping, etc.)
- SJC—System JTAG Controller. Protecting JTAG from debug port attacks by regulating or blocking the access to the system debug features.
- SNVS—Secure Non-Volatile Storage, including Secure Real Time Clock.
- CSU—Central Security Unit. Enhancement for the IC Identification Module (IIM). Will be configured during boot and by eFUSES and will determine the security level operation mode as well as the TZ policy.
- A-HAB—Advanced High Assurance Boot—HABv4 with the new embedded enhancements.

The actual feature set depends on the part numbers as described in [Table 1, "Example Orderable Part Numbers,"](#) on page 2. Functions, such as 2D hardware graphics acceleration or E-Ink may not be enabled for specific part numbers.

## 2 Architectural Overview

The following subsections provide an architectural overview of the i.MX 6SLL processor system.

### 2.1 Block Diagram

Figure 2 shows the functional modules in the i.MX 6SLL processor system.

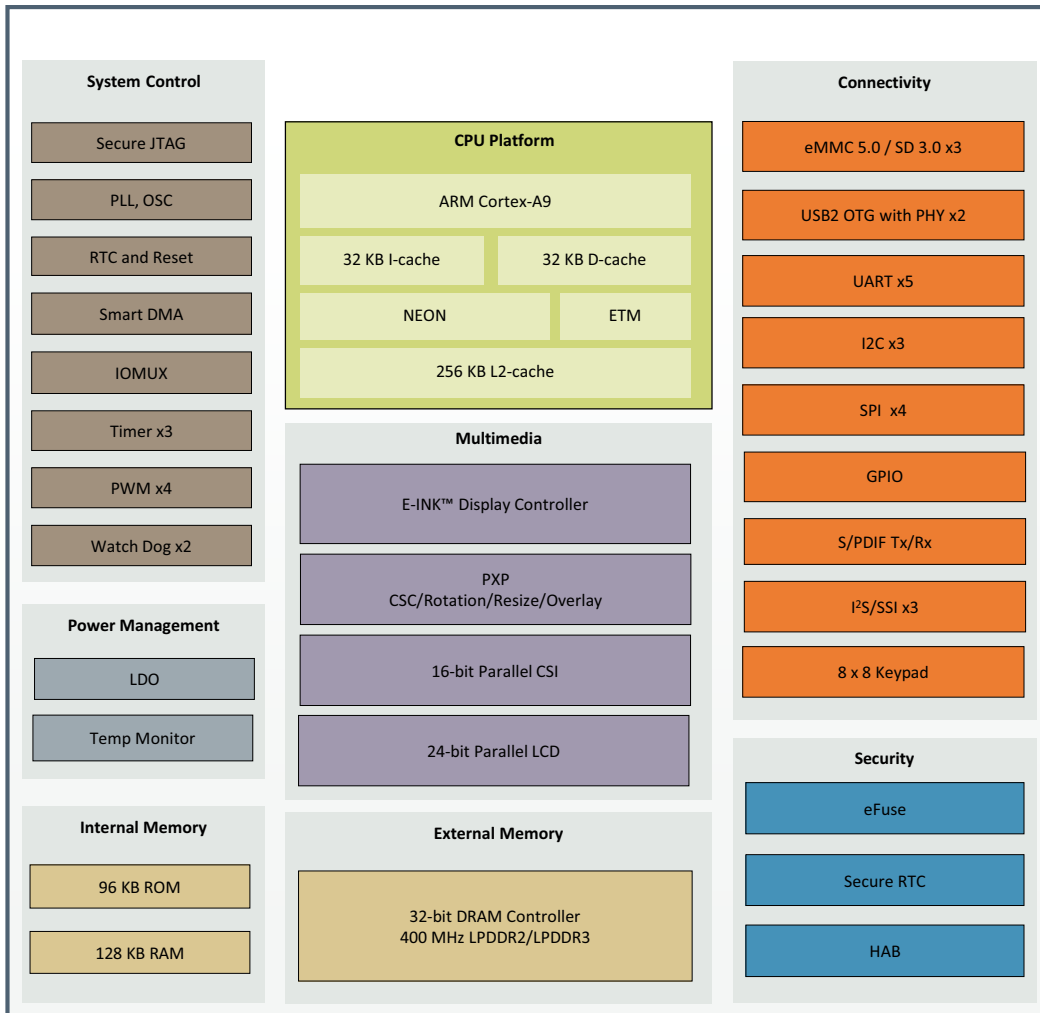


Figure 2. i.MX 6SLL System Block Diagram

#### NOTE

The numbers in brackets indicate number of module instances. For example, PWM (x4) indicates four separate PWM peripherals.

### 3 Modules List

The i.MX 6SLL processor contains a variety of digital and analog modules. [Table 2](#) describes these modules in alphabetical order.

**Table 2. i.MX 6SLL Modules List**

| Block Mnemonic    | Block Name  | Subsystem                         | Brief Description  |
|-------------------|---|-----------------------------------|--|
| Fuse Box          | Electrical Fuse Array   | Security                          | Electrical Fuse Array. Enables to setup Boot Modes, Security Levels, Security Keys, and many other system parameters.  |
| Arm               | Arm Platform  | Arm                               | The Arm Cortex-A9 platform consists of a Cortex-A9 core and associated sub-blocks, including level 2 cache controller, GIC (General Interrupt Controller), private timers, watchdog, and CoreSight debug modules.  |
| AUDMUX            | Digital Audio Mux   | Multimedia Peripherals            | The Digital Audio Multiplexer (AUDMUX) provides a programmable interconnect device for voice, audio, and synchronous data routing between Synchronous Serial Interface Controller (SSI) and audio/voice codec's (also known as coder-decoders) peripheral serial interfaces.   |
| CCM<br>GPC<br>SRC | Clock Control Module, General Power Controller, System Reset Controller | Clocks, Resets, and Power Control | These modules are responsible for clock and reset distribution in the system, and also for the system power management.  |
| CSI               | Parallel CSI  | Multimedia Peripherals            | The CSI IP provides parallel CSI standard camera interface port. The CSI parallel data ports are up to 24 bits. It is designed to support 24-bit RGB888/YUV444, CCIR656 video interface, 8-bit YCbCr, YUV or RGB, and 8-bit/10-bit/16-bit Bayer data input.  |
| CSU               | Central Security Unit   | Security                          | The Central Security Unit (CSU) is responsible for setting comprehensive security policy within the i.MX 6SLL platform. The Security Control Registers (SCR) of the CSU are set during boot time by the HAB and are locked to prevent further writing.   |
| CTI-1<br>CTI-2    | Cross Trigger Interfaces  | Debug / Trace                     | Cross Trigger Interfaces allows cross-triggering based on inputs from masters attached to CTIs. The CTI module is internal to the Cortex-A9 Core Platform.   |
| CTM               | Cross Trigger Matrix  | Debug / Trace                     | Cross Trigger Matrix IP is used to route triggering events between CTIs. The CTM module is internal to the Cortex-A9 Core Platform.  |
| DAP               | Debug Access Port   | System Control Peripherals        | The DAP provides real-time access for the debugger without halting the core to: <ul style="list-style-type: none"> <li>• System memory and peripheral registers</li> <li>• All debug configuration registers</li> </ul> The DAP also provides debugger access to JTAG scan chains. The DAP module is internal to the Cortex-A9 Core Platform.          |
| DCP               | Data co-processor   | Security                          | This module provides support for general encryption and hashing functions typically used for security functions. Because its basic job is moving data from memory to memory, it also incorporates a memory-copy (memcpy) function for both debugging and as a more efficient method of copying data between memory blocks than the DMA-based approach. |

**Table 2. i.MX 6SLL Modules List (continued)**

| Block Mnemonic   | Block Name                         | Subsystem                        | Brief Description   |
|--|------------------------------------|----------------------------------|---|
| eCSPI-1<br>eCSPI-2<br>eCSPI-3<br>eCSPI-4                       | Configurable SPI                   | Connectivity<br>Peripherals      | Full-duplex enhanced Synchronous Serial Interface. It is configurable to support Master/Slave modes, four chip selects to support multiple peripherals.   |
| EPDC   | Electrophoretic Display Controller | Peripherals                      | The EPDC is a feature-rich, low power, and high-performance direct-drive, active matrix EPD controller. It is specifically designed to drive E-INK™ EPD panels, supporting a wide variety of TFT backplanes.  |
| EPIT-1<br>EPIT-2   | Enhanced Periodic Interrupt Timer  | Timer<br>Peripherals             | Each EPIT is a 32-bit “set and forget” timer that starts counting after the EPIT is enabled by software. It is capable of providing precise interrupts at regular intervals with minimal processor intervention. It has a 12-bit prescaler for division of input clock frequency to get the required time setting for the interrupts to occur, and counter value can be programmed on the fly.  |
| GPIO-1<br>GPIO-2<br>GPIO-3<br>GPIO-4<br>GPIO-5<br>GPIO-6       | General Purpose I/O Modules        | System<br>Control<br>Peripherals | Used for general purpose input/output to external ICs. GPIO module (1 - 5) supports 32 bits of I/O and GPIO6 supports 5 bits of I/O.  |
| GPT  | General Purpose Timer              | Timer<br>Peripherals             | Each GPT is a 32-bit “free-running” or “set and forget” mode timer with programmable prescaler and compare and capture register. A timer counter value can be captured using an external event and can be configured to trigger a capture event on either the leading or trailing edges of an input pulse. When the timer is configured to operate in “set and forget” mode, it is capable of providing precise interrupts at regular intervals with minimal processor intervention. The counter has output compare logic to provide the status and interrupt at comparison. This timer can be configured to run either on an external clock or on an internal clock. |
| I <sup>2</sup> C-1<br>I <sup>2</sup> C-2<br>I <sup>2</sup> C-3 | I <sup>2</sup> C Interface         | Connectivity<br>Peripherals      | I <sup>2</sup> C provide serial interface for external devices. Data rates of up to 400 kbps are supported.   |
| IOMUXC   | IOMUX Control                      | System<br>Control<br>Peripherals | This module enables flexible IO multiplexing. Each IO pad has default and several alternate functions. The alternate functions are software configurable.   |
| LCDIF  | LCD interface                      | Connectivity<br>peripherals      | The LCDIF is a general purpose display controller used to drive a wide range of display devices varying in size and capability. The LCDIF is designed to support dumb (synchronous 24-bit Parallel RGB interface) and smart (asynchronous parallel MPU interface) LCD devices.  |
| MMDC   | Multi-Mode DDR Controller          | Connectivity<br>Peripherals      | DDR Controller has the following features: <ul style="list-style-type: none"> <li>• Support 32-bit LPDDR2/LPDDR3</li> <li>• Supports up to 2 GByte DDR memory space</li> </ul>  |

Table 2. i.MX 6SLL Modules List (continued)

| Block Mnemonic                   | Block Name                             | Subsystem                  | Brief Description  |
|----------------------------------|--|----------------------------|--|
| OCOTP_CTRL                       | OTP Controller                         | Security                   | The On-Chip OTP controller (OCOTP_CTRL) provides an interface for reading, programming, and/or overriding identification and control information stored in on-chip fuse elements. The module supports electrically-programmable poly fuses (eFUSES). The OCOTP_CTRL also provides a set of volatile software-accessible signals that can be used for software control of hardware elements, not requiring non-volatility. The OCOTP_CTRL provides the primary user-visible mechanism for interfacing with on-chip fuse elements. Among the uses for the fuses are unique chip identifiers, mask revision numbers, cryptographic keys, JTAG secure mode, boot characteristics, and various control signals, requiring permanent non-volatility. |
| OCRAM                            | On-Chip Memory Controller              | Data Path                  | The On-Chip Memory controller (OCRAM) module is designed as an interface between system's AXI bus and internal (on-chip) SRAM memory module. In i.MX 6SLL processor, the OCRAM is used for controlling the 128 KB multimedia RAM through a 64-bit AXI bus.   |
| OCRAM_L2                         | On-Chip Memory Controller for L2 Cache | Data Path                  | The On-Chip Memory controller for L2 cache (OCRAM_L2) module is designed as an interface between system's AXI bus and internal (on-chip) L2 cache memory module during boot mode.  |
| OSC 32 kHz                       | OSC 32 kHz                             | Clocking                   | Generates 32.768 kHz clock from external crystal.  |
| PMU                              | Power-Management functions             | Data Path                  | Integrated power management unit. Used to provide power to various SoC domains.  |
| PWM-1<br>PWM-2<br>PWM-3<br>PWM-4 | Pulse Width Modulation                 | Connectivity Peripherals   | The pulse-width modulator (PWM) has a 16-bit counter and is optimized to generate sound from stored sample audio images and it can also generate tones. It uses 16-bit resolution and a 4x16 data FIFO to generate sound.  |
| PXP                              | PiXel Processing Pipeline              | Display Peripherals        | A high-performance pixel processor capable of 1 pixel/clock performance for combined operations, such as color-space conversion, alpha blending, gamma-mapping, and rotation. The PXP is enhanced with features specifically for gray scale applications. In addition, the PXP supports traditional pixel/frame processing paths for still-image and video processing applications, allowing it to interface with either of the integrated EPD controllers.  |
| RAM 128 KB                       | Internal RAM                           | Internal Memory            | Internal RAM, which is accessed through OCRAM memory controller.   |
| RNGB                             | Random Number Generator                | Security                   | Random number generating module.   |
| ROM 96KB                         | Boot ROM                               | Internal Memory            | Supports secure and regular Boot Modes. Includes read protection on 4K region for content protection.  |
| ROMCP                            | ROM Controller with Patch              | Data Path                  | ROM Controller with ROM Patch support  |
| SDMA                             | Smart Direct Memory Access             | System Control Peripherals | The SDMA is multi-channel flexible DMA engine. It helps in maximizing system performance by off-loading the various cores in dynamic data routing.   |

**Table 2. i.MX 6SLL Modules List (continued)**

| Block Mnemonic                                 | Block Name                          | Subsystem                  | Brief Description   |
|--|-------------------------------------|----------------------------|---|
| SJC  | System JTAG Controller              | System Control Peripherals | The SJC provides JTAG interface, which complies with JTAG TAP standards, to internal logic. The i.MX 6SLL processor uses JTAG port for production, testing, and system debugging. In addition, the SJC provides BSR (Boundary Scan Register) standard support, which complies with IEEE1149.1 and IEEE1149.6 standards.<br>The JTAG port must be accessible during platform initial laboratory bring-up, for manufacturing tests and troubleshooting, as well as for software debugging by authorized entities. The i.MX 6SLL SJC incorporates three security modes for protecting against unauthorized accesses. Modes are selected through eFUSE configuration. |
| SNVS   | Secure Non-Volatile Storage         | Security                   | Secure Non-Volatile Storage, including Secure Real Time Clock, Security State Machine, Master Key Control, and Violation/Tamper Detection and reporting.  |
| SPDIF  | Sony Phillips Digital Interface     | Multimedia Peripherals     | A standard audio file transfer format, developed jointly by the Sony and Phillips corporations. Has Transmitter and Receiver functionality.   |
| SSI-1<br>SSI-2<br>SSI-3                        | I2S/SSI/AC97 Interface              | Connectivity Peripherals   | The SSI is a full-duplex synchronous interface, which is used on the AP to provide connectivity with off-chip audio peripherals. The SSI supports a wide variety of protocols (SSI normal, SSI network, I2S, and AC-97), bit depths (up to 24 bits per word), and clock / frame sync options.   |
| TEMPMON  | Temperature Monitor                 | System Control Peripherals | The temperature monitor/sensor IP, for detecting high temperature conditions. The Temperature sensor IP for detecting die temperature. The temperature read out does not reflect case or ambient temperature, but the proximity of the temperature sensor location on the die. Temperature distribution may not be uniformly distributed, therefore the read out value may not be the reflection of the temperature value of the entire die.  |
| TZASC  | Trust-Zone Address Space Controller | Security                   | The TZASC (TZC-380 by Arm) provides security address region control functions required for intended application. It is used on the path to the DRAM controller.   |
| UART-1<br>UART-2<br>UART-3<br>UART-4<br>UART-5 | UART Interface                      | Connectivity Peripherals   | Each of the UARTv2 modules support the following serial data transmit/receive protocols and configurations: <ul style="list-style-type: none"> <li>• 7- or 8-bit data words, 1 or 2 stop bits, programmable parity (even, odd or none)</li> <li>• Programmable baud rates up to 5 Mbps.</li> <li>• 32-byte FIFO on Tx and 32 half-word FIFO on Rx supporting auto-baud</li> <li>• IrDA 1.0 support (up to SIR speed of 115200 bps)</li> <li>• Only one can operate as 8-pins full UART, DCE, or DTE</li> </ul>  |
| USBO2  | 2x USB 2.0 High Speed OTG           | Connectivity Peripherals   | USBO2 contains: <ul style="list-style-type: none"> <li>• Two high-speed OTG module with integrated HS USB PHY</li> </ul>  |

Table 2. i.MX 6SLL Modules List (continued)

| Block Mnemonic                | Block Name   | Subsystem                | Brief Description   |
|-------------------------------|--|--------------------------|---|
| uSDHC-1<br>uSDHC-2<br>uSDHC-3 | SD/MMC and SDXC Enhanced Multi-Media Card / Secure Digital Host Controller | Connectivity Peripherals | <p>i.MX 6SLL specific SoC characteristics:<br/>All three MMC/SD/SDIO controller IPs are identical and are based on the uSDHC IP. They are:</p> <ul style="list-style-type: none"> <li>• Fully compliant with MMC command/response sets and Physical Layer as defined in the Multimedia Card System Specification, v5.0 including high-capacity (size &gt; 2 GB) cards HC MMC.</li> <li>• Fully compliant with SD command/response sets and Physical Layer as defined in the SD Memory Card Specifications, v3.0 including high-capacity SDHC cards up to 32 GB and SDXC cards up to 2 TB.</li> <li>• Fully compliant with SDIO command/response sets and interrupt/read-wait mode as defined in the SDIO Card Specification, Part E1, v1.10.</li> <li>• Conforms to the SD Host Controller Standard Specification version 3.0.</li> </ul> |
| WDOG-1                        | Watchdog   | Timer Peripherals        | The Watchdog Timer supports two comparison points during each counting period. Each of the comparison points is configurable to evoke an interrupt to the Arm core, and a second point evokes an external event on the WDOG line.   |
| WDOG-2 (TZ)                   | Watchdog (TrustZone)   | Timer Peripherals        | The TrustZone Watchdog (TZ WDOG) timer module protects against TrustZone starvation by providing a method of escaping normal mode and forcing a switch to the TZ mode. TZ starvation is a situation where the normal OS prevents switching to the TZ mode. Such situation is undesirable as it can compromise the system's security. Once the TZ WDOG module is activated, it must be serviced by TZ software on a periodic basis. If servicing does not take place, the timer times out. Upon a time-out, the TZ WDOG asserts a TZ mapped interrupt that forces switching to the TZ mode. If it is still not served, the TZ WDOG asserts a security violation signal to the CSU. The TZ WDOG module cannot be programmed or deactivated by a normal mode Software.   |
| XTALOSC                       | Crystal Oscillator I/F   | Clocking                 | The XTALOSC module enables connectivity to external crystal oscillator device. In a typical application use-case, it is used for 24 MHz oscillator.   |

### 3.1 Special Signal Considerations

Table 3 lists special signal considerations for the i.MX 6SLL processor. The signal names are listed in alphabetical order.

The package contact assignments can be found in [Section 6, Package Information and Contact Assignments.](#) Signal descriptions are provided in the *i.MX 6SLL Reference Manual*.

**Table 3. Special Signal Considerations**

| Signal Name       | Remarks   |
|-------------------|---|
| CLK1_P/<br>CLK1_N | <p>One general purpose differential high speed clock Input/output is provided. It could be used to:</p> <ul style="list-style-type: none"> <li>To feed external reference clock to the PLLs and further to the modules inside SoC, for example as alternate reference clock for Audio interfaces, etc.</li> <li>To output internal SoC clock to be used outside the SoC as either reference clock or as a functional clock for peripherals.</li> </ul> <p>See the <i>i.MX 6SLL Reference Manual</i> for details on the respective clock trees. The clock inputs/outputs are LVDS differential pairs compatible with TIA/EIA-644 standard. The corresponding CLK1_N input should be tied to the constant voltage level equal 1/2 of the input signal swing. Termination should be provided in case of high frequency signals. See LVDS pad electrical specification for further details. After initialization, the CLK1 input/output could be disabled (if not used). If unused, the CLK1_N/P pair may remain unconnected.</p> |
| DRAM_VREF         | <p>When using DRAM_VREF with DDR I/O, the nominal reference voltage must be half of the NVCC_DRAM supply. The user must tie DRAM_VREF to a precision external resistor divider. Use a 1 kΩ 0.5% resistor to GND and a 1 kΩ 0.5% resistor to NVCC_DRAM. Shunt each resistor with a closely-mounted 0.1 μF capacitor.</p> <p>To reduce supply current, a pair of 1.5 kΩ 0.1% resistors can be used. Using resistors with recommended tolerances ensures the ± 2% DRAM_VREF tolerance (per the DDR3 specification) is maintained when four DDR3 ICs plus the i.MX 6SLL are drawing current on the resistor divider. It is recommended to use regulated power supply for “big” memory configurations (more that eight devices).</p>   |
| JTAG_nnnn         | <p>The JTAG interface is summarized in <a href="#">Table 4</a>. Use of external resistors is unnecessary. However, if external resistors are used, the user must ensure that the on-chip pull-up/down configuration is followed. For example, do not use an external pull down on an input that has on-chip pull-up.</p> <p>JTAG_TDO is configured with a keeper circuit such that the non-connected condition is eliminated if an external pull resistor is not present. An external pull resistor on JTAG_TDO is detrimental and should be avoided.</p> <p>JTAG_MODE must be externally connected to GND for normal operation. Termination to GND through an external pull-down resistor (such as 1 kΩ) is allowed. JTAG_MODE set to high configures the JTAG interface to mode compliant with IEEE1149.1 standard. JTAG_MODE set to low configures the JTAG interface for common Software debug adding all the system TAPs to the chain.</p>   |
| NC                | These signals are No Connect (NC) and should be disconnected by the user.   |
| ONOFF             | In normal mode may be connected to ONOFF button (de-bouncing provided at this input). Internally this pad is pulled up. A short duration (<5s) connection to GND in OFF mode causes the internal power management state machine to change the state to ON. In ON mode, a short duration connection to GND generates interrupt (intended to initiate a software controllable power down). A long duration (above ~5s) connection to GND causes “forced” OFF.   |
| POR_B             | This cold reset negative logic input resets all modules and logic in the IC. May be used in addition to internally generated power on reset signal (logical AND, both internal and external signals are considered active low)  |

Table 3. Special Signal Considerations (continued)

| Signal Name             | Remarks  |
|-------------------------|--|
| RTC_XTALI/<br>RTC_XTALO | <p>If the user wishes to configure RTC_XTALI and RTC_XTALO as an RTC oscillator, a 32.768 kHz crystal (<math>\leq 100</math> k<math>\Omega</math> ESR, 10 pF load) should be connected between RTC_XTALI and RTC_XTALO. Keep in mind the capacitors implemented on either side of the crystal are about twice the crystal load capacitor. To hit the exact oscillation frequency, the board capacitors need to be reduced to account for board and chip parasitics. The integrated oscillation amplifier is self biasing, but relatively weak. Care must be taken to limit parasitic leakage from RTC_XTALI and RTC_XTALO to either power or ground (<math>&gt;100</math> M<math>\Omega</math>). This will debias the amplifier and cause a reduction of startup margin. Typically RTC_XTALI and RTC_XTALO should bias to approximately 0.5 V.</p> <p>If it is desired to feed an external low frequency clock into RTC_XTALI, the RTC_XTALO pin must remain unconnected or driven with a complimentary signal. The logic level of this forcing clock should not exceed VDD_SNVS_CAP level and the frequency should be <math>&lt;100</math> kHz under typical conditions.</p> <p>In the case when a high accuracy real time clock is not required, the system may use an internal low frequency ring oscillator. It is recommended to connect RTC_XTALI to GND and keep RTC_XTALO unconnected.</p> |
| TEST_MODE               | TEST_MODE is for NXP factory use. This signal is internally connected to an on-chip pull-down device. The user must either disconnect this signal or tie it to GND.  |
| XTALI/XTALO             | <p>A 24.0 MHz crystal should be connected between XTALI and XTALO. level and the frequency should be <math>&lt;32</math> MHz under typical conditions.</p> <p>The crystal must be rated for a maximum drive level of 250 <math>\mu</math>W. An ESR (equivalent series resistance) of typically 80 <math>\Omega</math> is recommended. NXP BSP (board support package) software requires 24 MHz on XTALI/XTALO.</p> <p>The crystal can be eliminated if an external 24 MHz oscillator is available in the system. In this case, XTALI must be directly driven by the external oscillator and XTALO is disconnected. The XTALI signal level must swing from <math>\sim 0.8 \times NVCC\_PLL</math> to <math>\sim 0.2</math> V.</p> <p>This clock is used as a reference for USB, so there are strict frequency tolerance and jitter requirements. See the XTALOSC chapter and relevant interface specifications chapters of the <i>i.MX 6SLL Reference Manual</i> for details.</p>   |
| ZQPAD                   | DRAM calibration resistor 240 $\Omega$ 1% used as reference during DRAM output buffer driver calibration should be connected between this pad and GND.   |

Table 4. JTAG Controller Interface Summary

| JTAG        | I/O Type       | On-Chip Termination    |
|-------------|----------------|------------------------|
| JTAG_TCK    | Input          | 47 k $\Omega$ pull-up  |
| JTAG_TMS    | Input          | 47 k $\Omega$ pull-up  |
| JTAG_TDI    | Input          | 47 k $\Omega$ pull-up  |
| JTAG_TDO    | 3-state output | Keeper                 |
| JTAG_TRST_B | Input          | 47 k $\Omega$ pull-up  |
| JTAG_MODE   | Input          | 100 k $\Omega$ pull-up |

## 3.2 Recommended Connections for Unused Analog Interfaces

Table 5 shows the recommended connections for unused analog interfaces.

## Modules List

**Table 5. Recommended Connections for Unused Analog Interfaces**

| Module  | Pad Name   | Recommendations if Unused |
|---------|--|---------------------------|
| XTALOSC | CLK1_N, CLK1_P   | Not connected             |
| USB     | USB_OTGx_DN, USB_OTGx_DP, USB_OTGx_VBUS, USB_OTG_CHD_B | Not connected             |

## 4 Electrical Characteristics

This section provides the device and module-level electrical characteristics for the i.MX 6SLL.

### 4.1 Chip-Level Conditions

This section provides the device-level electrical characteristics for the IC. See [Table 6](#) for a quick reference to the individual tables and sections.

**Table 6. i.MX 6SLL Chip-Level Conditions**

| For these characteristics ...                  | Topic appears ...          |
|--|----------------------------|
| <a href="#">Absolute Maximum Ratings</a>       | <a href="#">on page 15</a> |
| <a href="#">Thermal Resistance</a>             | <a href="#">on page 17</a> |
| <a href="#">Operating Ranges</a>               | <a href="#">on page 19</a> |
| <a href="#">External Clock Sources</a>         | <a href="#">on page 20</a> |
| <a href="#">Maximum Supply Currents</a>        | <a href="#">on page 21</a> |
| <a href="#">Low Power Mode Supply Currents</a> | <a href="#">on page 22</a> |
| <a href="#">USB PHY Current Consumption</a>    | <a href="#">on page 23</a> |

#### 4.1.1 Absolute Maximum Ratings

#### CAUTION

Stresses beyond those listed under [Table 7](#) may cause permanent damage to the device. These are stress ratings only. Functional operation of the device at these or any other conditions beyond those indicated under “recommended operating conditions” is not implied. Exposure to absolute-maximum-rated conditions for extended periods may affect device reliability.

[Table 7](#) shows the absolute maximum operating ratings.

**Table 7. Absolute Maximum Ratings**

| Parameter Description        | Symbol                         | Min  | Max <sup>1</sup>   | Unit |
|------------------------------|--------------------------------|------|--------------------|------|
| Core supply voltages         | VDD_ARM_IN<br>VDD_SOC_IN       | -0.3 | 1.4                | V    |
| GPIO supply voltage          | Supplies denoted as I/O supply | -0.5 | 3.6                | V    |
| DDR I/O supply voltage       | Supplies denoted as I/O supply | -0.4 | 1.975 (see note 2) | V    |
| VDD_HIGH_IN supply voltage   | VDD_HIGH_IN                    | -0.3 | 3.6                | V    |
| USB_OTG1_VBUS, USB_OTG2_VBUS | USB_OTG1_VBUS<br>USB_OTG2_VBUS | —    | 5.5                | V    |

Table 7. Absolute Maximum Ratings (continued)

| Parameter Description  | Symbol  | Min  | Max <sup>1</sup>           | Unit |
|--|---|------|----------------------------|------|
| Input voltage on USB signals (non-VBUS)                                | USB_OTG_DP,<br>USB_OTG_DN,<br>USB_H1_DP,<br>USB_H1_DN,<br>USB_OTG_CHD_B | -0.3 | 3.63                       | V    |
| Input/Output Voltage range (Non-DDR pins)                              | $V_{in}/V_{out}$  | -0.5 | OVDD + 0.3 (See note 3)    | V    |
| Input/Output Voltage range (DDR Pins)                                  | $V_{in}/V_{out}$  | -0.5 | OVDD + 0.4 (See note 2, 3) | V    |
| ESD Immunity (HBM)<br>All pins except VDD_SNVS_CAP and VDD_ARM_IN pins | Vesd_HBM  | —    | 2000                       | V    |
| ESD Immunity (HBM)<br>VDD_SNVS_CAP and VDD_ARM_IN pins                 | Vesd_HBM  | —    | 1000                       | V    |
| ESD Immunity (CDM)   | Vesd_CDM  | —    | 500                        | V    |
| Storage temperature range  | $T_{STORAGE}$   | -40  | 150                        | °C   |

<sup>1</sup> Exceeding maximum may result in breakdown, or reduction in IC life time, performance, and/or reliability.

<sup>2</sup> The absolute maximum voltage includes an allowance for 400 mV of overshoot on the IO pins. Per JEDEC standards, the allowed signal overshoot must be de-rated if NVCC\_DRAM exceeds 1.575 V.

<sup>3</sup> OVDD is the I/O supply voltage.

## 4.1.2 Thermal Resistance

### NOTE

Per JEDEC JESD51-2, the intent of thermal resistance measurements is solely for a thermal performance comparison of one package to another in a standardized environment. This methodology is not meant to and will not predict the performance of a package in an application-specific environment.

### 4.1.2.1 14 x 14 mm (VM) Package Thermal Resistance

Table 8 provides the 14 x 14 mm package thermal resistance data.

**Table 8. Package Thermal Resistance Data**

| Rating  | Board                   | Symbol               | Value | Unit |
|---|-------------------------|----------------------|-------|------|
| Junction to Ambient <sup>1,2</sup> (natural convection)   | Single layer board (1s) | $R_{\theta JA}$      | 50.6  | °C/W |
| Junction to Ambient <sup>1,2,3</sup> (natural convection) | Four layer board (2s2p) | $R_{\theta JA}$      | 31.7  | °C/W |
| Junction to Ambient <sup>1,3</sup> (at 200 ft/min)        | Single layer board (1s) | $R_{\theta JMA}$     | 39.4  | °C/W |
|   | Four layer board (2s2p) | $R_{\theta JMA}$     | 27.5  | °C/W |
| Junction to Board <sup>4</sup>                            | —                       | $R_{\theta JB}$      | 16.7  | °C/W |
| Junction to Case <sup>5</sup>                             | —                       | $R_{\theta JC}$      | 12.0  | °C/W |
| Junction to Package Top <sup>6</sup>                      | Natural Convection      | $\Psi_{JT}$          | 0.2   | °C/W |
| Junction to Package Bottom <sup>7</sup>                   | Natural Convection      | $R_{\theta JB\_CSB}$ | 13.9  | °C/W |

<sup>1</sup> Junction temperature is a function of die size, on-chip power dissipation, package thermal resistance, mounting site (board) temperature, ambient temperature, air flow, power dissipation of other components on the board, and board thermal resistance.

<sup>2</sup> Per SEMI G38-87 and JEDEC JESD51-2 with the single layer board horizontal.

<sup>3</sup> Per JEDEC JESD51-6 with the board horizontal.

<sup>4</sup> Thermal resistance between the die and the printed circuit board per JEDEC JESD51-8. Board temperature is measured on the top surface of the board near the package.

<sup>5</sup> Thermal resistance between the die and the case top surface as measured by the cold plate method (MIL SPEC-883 Method 1012.1).

<sup>6</sup> The thermal characterization parameter indicating the temperature difference between package top and the junction temperature per JEDEC JESD51-2. When Greek letters are not available, the thermal characterization parameter is written as Psi-JT.

<sup>7</sup> Thermal resistance between the die and the central solder balls on the bottom of the package based on simulation.

### 4.1.3 Operating Ranges

Figure 3 shows major power systems blocks and internal/external connections for the i.MX 6SLL processor.

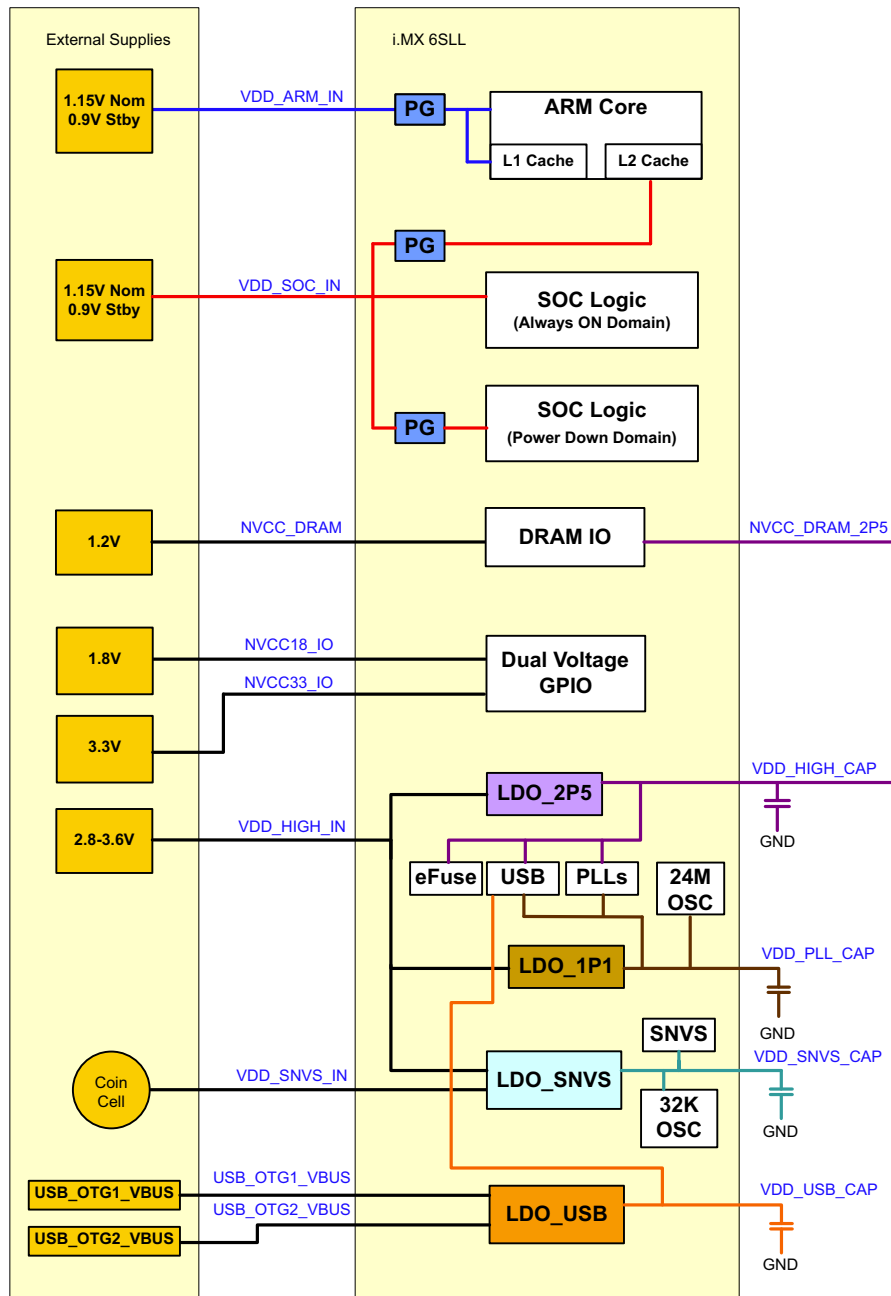


Figure 3. i.MX 6SLL SoC Power Block Diagram

Table 9 provides the operating ranges of the i.MX 6SLL processor.

**Table 9. Operating Ranges**

| Parameter Description       | Symbol                         | Min   | Typ | Max <sup>1</sup> | Unit | Comment   |
|-----------------------------|--------------------------------|-------|-----|------------------|------|---|
| Run Mode                    | VDD_ARM_IN                     | 1.150 | —   | 1.26             | V    | For operation up to 792 MHz.  |
|                             |                                | 1.05  | —   | 1.26             | V    | For operation up to 396 MHz.  |
|                             |                                | 0.950 | —   | 1.26             | V    | For operation up to 198 MHz   |
|                             |                                | 0.925 | —   | 1.26             | V    | For operation up to 24 MHz  |
|                             | VDD_SOC_IN                     | 1.15  | —   | 1.26             | V    | —   |
| Low Power Run Mode          | VDD_ARM_IN                     | 0.925 | —   | 1.26             | V    | All PLL bypassed, all clocks running at 24 MHz or below.  |
|                             | VDD_SOC_IN                     | 0.925 | —   | 1.26             | V    |   |
| Standby/DSM Mode            | VDD_ARM_IN                     | 0.9   | —   | 1.26             | V    | See Table 12, "Low Power Mode Current and Power Consumption," on page 22.   |
| VDDHIGH internal Regulator  | VDD_HIGH_IN <sup>2</sup>       | 2.8   | —   | 3.6              | V    | Must match the range of voltages that the rechargeable backup battery supports.   |
| Backup battery supply range | VDD_SNVS_IN <sup>2</sup>       | 2.4   | —   | 3.6              | V    | Should be supplied from the same supply as VDD_HIGH_IN if the system does not require keeping real time and other data on OFF state.                          |
| USB supply voltages         | USB_OTG1_VBUS<br>USB_OTG2_VBUS | 4.4   | —   | 5.5              | V    | —   |
| DDR I/O supply              | NVCC_DRAM                      | 1.14  | 1.2 | 1.26             | V    | LPDDR2, LPDDR3  |
|                             | NVCC_DRAM_2P5                  | 2.25  | 2.5 | 2.75             | V    | —   |
| GPIO supplies <sup>3</sup>  | NVCC33_IO <sup>2</sup>         | 3.0   | 3.3 | 3.6              | V    | Worst case, assuming all SOC I/O operating at 1.8V. NVCC33_IO must always be greater than NVCC18_IO.  |
|                             | NVCC18_IO <sup>2</sup>         | 1.65  | 1.8 | 1.95             | V    | —   |
| Junction temperature        | T <sub>J</sub>                 | -40   | —   | 105              | —    | Industrial<br>See <i>i.MX 6SLL Product Lifetime Usage Estimates Application Note</i> for information on product lifetime (power-on years) for this processor. |

<sup>1</sup> Applying the maximum voltage results in maximum power consumption and heat generation. NXP recommends a voltage set point = (Vmin + the supply tolerance). This results in an optimized power/speed ratio.

<sup>2</sup> Applying the maximum voltage results in shorten lifetime. 3.6 V usage limited to < 1% of the use profile. Rest of profile limited to below 3.49 V.

<sup>3</sup> All digital I/O supplies (NVCC\_xxxx) must be powered under normal conditions whether the associated I/O pins are in use or not, and associated I/O pins need to have a pull-up or pull-down resistor applied to limit any non-connected gate current.

#### 4.1.4 External Clock Sources

Each i.MX 6SLL processor has two external input system clocks: a low frequency (RTC\_XTALI) and a high frequency (XTALI).

## Electrical Characteristics

The RTC\_XTALI is used for low-frequency functions. It supplies the clock for wake-up circuit, power-down real time clock operation, and slow system and watchdog counters. The clock input can be connected to either an external oscillator or a crystal using the internal oscillator amplifier. Additionally, there is an internal ring oscillator, which can substitute the RTC\_XTALI, in case accuracy is not important.

The system clock input XTALI is used to generate the main system clock. It supplies the PLLs and other peripherals. The system clock input can be connected to either an external oscillator or a crystal using the internal oscillator amplifier.

### NOTE

The internal RTC oscillator does not provide an accurate frequency and is affected by process, voltage, and temperature variations. NXP strongly recommends using an external crystal as the RTC\_XTALI reference. If the internal oscillator is used instead, careful consideration must be given to the timing implications on all of the SoC modules dependent on this clock.

Table 10 shows the interface frequency requirements.

**Table 10. External Input Clock Frequency**

| Parameter Description                | Symbol     | Min | Typ                              | Max | Unit |
|--------------------------------------|------------|-----|----------------------------------|-----|------|
| RTC_XTALI Oscillator <sup>1, 2</sup> | $f_{ckil}$ | —   | 32.768 <sup>(see 3)</sup> / 32.0 | —   | kHz  |
| XTALI Oscillator <sup>4, 2</sup>     | $f_{xtal}$ | —   | 24                               | —   | MHz  |

<sup>1</sup> External oscillator or a crystal with internal oscillator amplifier.

<sup>2</sup> The required frequency stability of this clock source is application dependent.

<sup>3</sup> Recommended nominal frequency 32.768 kHz.

<sup>4</sup> External oscillator or a fundamental frequency crystal with internal oscillator amplifier.

The typical values shown in Table 10 are required for use with NXP BSPs to ensure precise time keeping and USB operation. For RTC\_XTALI operation, two clock sources are available:

- On-chip 40 kHz ring oscillator: This clock source has the following characteristics:
  - Approximately 25  $\mu$ A more  $I_{dd}$  than crystal oscillator
  - Approximately  $\pm 50\%$  tolerance
  - No external component required
  - Starts up quicker than 32 kHz crystal oscillator
- External crystal oscillator with on-chip support circuit
  - At power up, ring oscillator is utilized. After crystal oscillator is stable, the clock circuit switches over to the crystal oscillator automatically.
  - Higher accuracy than ring oscillator
  - If no external crystal is present, then the ring oscillator is utilized

The decision to choose a clock source should be taken based on real-time clock use and precision time-out.

## 4.1.5 Maximum Supply Currents

The numbers shown in [Table 11](#) represent the maximum current consumption possible.

See the i.MX 6SLL Power Consumption Measurement Application Note for more details on typical power consumption under various use case definitions.

**Table 11. Maximum Supply Currents**

| Power Line                             | Conditions                                       | Max Current                          | Unit |
|--|--|--------------------------------------|------|
| VDD_ARM_IN                             | 800 MHz Arm clock based on Power Virus operation | 1100                                 | mA   |
| VDD_SOC_IN                             | 800 MHz Arm clock                                | 650                                  | mA   |
| VDD_HIGH_IN                            | —  | 100 <sup>1</sup>                     | mA   |
| VDD_SNVS_IN                            | —  | 250 <sup>2</sup>                     | μA   |
| USB_OTG1_VBUS<br>USB_OTG2_VBUS         | —  | 25 <sup>3</sup>                      | mA   |
| <b>Primary Interface (IO) Supplies</b> |  |                                      |      |
| NVCC_DRAM                              | —  | (see <sup>4</sup> )                  |      |
| NVCC33_IO                              | N=156  | Use maximum IO Equation <sup>5</sup> |      |
| NVCC18_IO                              | N=156  | Use maximum IO Equation <sup>5</sup> | mA   |
| <b>MISC</b>                            |  |                                      |      |
| DRAM_VREF                              | —  | 1                                    | mA   |

<sup>1</sup> The actual maximum current drawn from VDD\_HIGH\_IN will be as shown plus any additional current drawn from the VDD\_HIGH\_CAP outputs, depending upon actual application configuration (for example, NVCC\_DRAM\_2P5 supplies).

<sup>2</sup> The maximum VDD\_SNVS\_IN current may be higher depending on specific operating configurations, such as BOOT\_MODE[1:0] not equal to 00, or use of the Tamper feature. During initial power on, VDD\_SNVS\_IN can draw up to 1 mA, if available. VDD\_SNVS\_CAP charge time will increase if less than 1 mA is available.

<sup>3</sup> This is the maximum current per active USB physical interface.

<sup>4</sup> The DRAM power consumption is dependent on several factors, such as external signal termination. DRAM power calculators are typically available from the memory vendors. They take in account factors, such as signal termination. See the i.MX 6SLL Power Consumption Measurement Application Note or examples of DRAM power consumption during specific use case scenarios.

<sup>5</sup> General equation for estimated, maximum power consumption of an IO power supply:

$$I_{max} = N \times C \times V \times (0.5 \times F)$$

Where:

N—Number of IO pins supplied by the power line

C—Equivalent external capacitive load

V—IO voltage

(0.5 x F)—Data change rate. Up to 0.5 of the clock rate (F)

In this equation, I<sub>max</sub> is in Amps, C in Farads, V in Volts, and F in Hertz.

## 4.1.6 Low Power Mode Supply Currents

Table 12 shows the current core consumption (not including I/O) of i.MX 6SLL processor in selected low power modes.

**Table 12. Low Power Mode Current and Power Consumption**

| Mode                     | Test Conditions  | Supply              | Typical <sup>1</sup> | Unit |
|--------------------------|--|---------------------|----------------------|------|
| System Idle (WAIT)       | <ul style="list-style-type: none"> <li>CPU is in WFI state, CPU clock is gated</li> <li>DDR enters self refresh automatically when no access</li> <li>High-speed peripherals are clock gated, but remain powered</li> <li>LDO-2P5 set to 2.5 V, LDO_1P1 set to 1.1 V</li> <li>24 MHz XTAL is ON</li> <li>528 PLL active, other PLLs are power down</li> </ul>          | VDD_ARM_IN (1.15 V) | 5.00                 | mA   |
|                          |  | VDD_SOC_IN (1.15 V) | 8.00                 |      |
|                          |  | VDD_HIGH_IN (3.0 V) | 7.00                 |      |
|                          |  | VDD_SNVS_IN(3.0 V)  | 0.05                 |      |
|                          |  | Total               | 36.1                 | mW   |
| Low Power Idle (STANDBY) | <ul style="list-style-type: none"> <li>CPU is power gated</li> <li>DDR is put in self refresh by SW, DDR IO is disabled</li> <li>High-speed peripherals are clock gated, but remain powered</li> <li>LDO_2P5 and LDO_1P1 are set to weak mode</li> <li>24 MHz XTAL is off, 24 MHz Hz RCOSC used as clock source</li> <li>All PLL are power down</li> </ul>             | VDD_ARM_IN (0.9 V)  | —                    | mA   |
|                          |  | VDD_SOC_IN (0.9 V)  | 1.60                 |      |
|                          |  | VDD_HIGH_IN (3.0 V) | 0.30                 |      |
|                          |  | VDD_SNVS_IN (3.0 V) | 0.04                 |      |
|                          |  | Total               | 2.46                 | mW   |
| Suspend (DSM)            | <ul style="list-style-type: none"> <li>CPU is power gated</li> <li>DDR is put in self refresh by SW, DDR IO is disabled</li> <li>High-speed peripherals are power gated</li> <li>LDO_2P5 and LDO_1P1 are shut off</li> <li>24 MHz XTAL is off, 24 MHz RCOSC is off</li> <li>All PLL are power down</li> <li>All clocks are shut off, only except 32 kHz RTC</li> </ul> | VDD_ARM_IN (0 V)    | —                    | mA   |
|                          |  | VDD_SoC_IN (0.9 V)  | 0.20                 |      |
|                          |  | VDD_HIGH_IN (3.0 V) | 0.03                 |      |
|                          |  | VDD_SNVS_IN (3.0 V) | 0.02                 |      |
|                          |  | Total               | 0.33                 | mW   |
| SNVS (RTC)               | <ul style="list-style-type: none"> <li>CPU is power down</li> <li>All SOC digital logic is power down</li> <li>All analog circuit is power down except 32K RTC</li> </ul>  | VDD_ARM_IN (0 V)    | —                    | mA   |
|                          |  | VDD_SOC_IN (0 V)    | —                    |      |
|                          |  | VDD_HIGH_IN (0 V)   | —                    |      |
|                          |  | VDD_SNVS_IN (3.0 V) | 0.02                 |      |
|                          |  | Total               | 0.06                 | mW   |

<sup>1</sup> The typical values shown here are for information only and are not guaranteed. These values are average values measured on a typical process wafer at 25°C.

## 4.1.7 USB PHY Current Consumption

### 4.1.7.1 Power Down Mode

In power down mode, everything is powered down, including the USB\_OTGx\_VBUS valid detectors, typical condition. Table 13 shows the USB interface current consumption in power down mode.

Table 13. USB PHY Current Consumption in Power Down Mode

|         | VDD_USB_CAP (3.0 V) | VDDHIGH_CAP (2.5 V) | NVCC_PLL (1.1 V) |
|---------|---------------------|---------------------|------------------|
| Current | 5.1 $\mu$ A         | 1.7 $\mu$ A         | <0.5 $\mu$ A     |

**NOTE**

The currents on the VDD\_HIGH\_CAP and VDD\_USB\_CAP were identified to be the voltage divider circuits in the USB-specific level shifters.

## 4.2 Power Supplies Requirements and Restrictions

The system design must comply with power-up sequence, power-down sequence, and steady state guidelines as described in this section to guarantee the reliable operation of the device. Any deviation from these sequences may result in the following situations:

- Excessive current during power-up phase
- Prevention of the device from booting
- Irreversible damage to the processor (worst-case scenario)

### 4.2.1 Power-Up Sequence

For power-up sequence, the restrictions are as follows:

- VDD\_SNVS\_IN supply must be turned ON before any other power supply. It may be connected (shorted) with VDD\_HIGH\_IN supply.
- If a coin cell is used to power VDD\_SNVS\_IN, then ensure it is connected before any other supply is switched on.
- VDD\_SOC\_IN must be turned on before any other digital IO power supply.
- POR\_B signal must be immediately asserted at power-up and remain asserted after the last power rail reaches its working voltage.
- VDD\_ARM\_IN may be applied with no restrictions.
- NVCC33\_IO must be applied before NVCC18\_IO.

**NOTE**

See the *i.MX 6SLL Reference Manual (IMX6SLLRM)* for further details and to ensure that all necessary requirements are being met.

**NOTE**

Ensure that there is no back voltage (leakage) from any supply on the board towards the 3.3 V supply (for example, from the external components that use both the 1.8 V and 3.3 V supplies).

**NOTE**

USB\_OTG1\_VBUS and USB\_OTG2\_VBUS are not part of the power supply sequence and can be powered at any time.

## 4.2.2 Power-Down Sequence

For power-down sequence, the restrictions are as follows:

- VDD\_SNVS\_IN supply must be turned off after all other power supply. It may be connected (shorted) with VDD\_HIGH\_IN supply.
- If a coin cell is used to power VDD\_SNVS\_IN, then ensure that it is removed after all other supply are switched off.

## 4.2.3 Power Supplies Usage

All I/O pins should not be externally driven while the I/O power supply for the pin (NVCC33\_IO and NVCC18\_IO) is OFF. This can cause internal latch-up and malfunctions due to reverse current flows. For information about I/O power supply of each pin, see “Power Group” column of [Table 64, "14 x 14 mm Functional Contact Assignments,"](#) on page 72.

## 4.3 Integrated LDO Voltage Regulator Parameters

Various internal supplies can be powered ON from internal LDO voltage regulators. All the supply pins named \*\_CAP must be connected to external capacitors. The onboard LDOs are intended for internal use only and should not be used to power any external circuitry. See the *i.MX 6SLL Reference Manual* for details on the power tree scheme recommended operation.

### NOTE

The \*\_CAP signals should not be powered externally. These signals are intended for internal LDO or LDO bypass operation only.

### 4.3.1 Regulators for Analog Modules

#### 4.3.1.1 LDO\_1P1

The LDO\_1P1 regulator implements a programmable linear-regulator function from VDD\_HIGH\_IN (see [Table 9](#) for min and max input requirements). Typical Programming Operating Range is 1.0 V to 1.2 V with the nominal default setting as 1.1 V. LDO\_1P1 supplies the USB Phy and the PLLs. A programmable brown-out detector is included in the regulator that can be used by the system to determine when the load capability of the regulator is being exceeded to take the necessary steps. Current-limiting can be enabled to allow for in-rush current requirements during start-up, if needed. Active-pull-down can also be enabled for systems requiring this feature.

For information on external capacitor requirements for this regulator, see the *Hardware Development Guide for i.MX 6SLL Applications Processors (IMX6SLLHDG)*. For additional information, see the *i.MX 6SLL Reference Manual*.

#### 4.3.1.2 LDO\_2P5

The LDO\_2P5 module implements a programmable linear-regulator function from VDD\_HIGH\_IN (see [Table 9](#) for min and max input requirements). Typical programming operating range is 2.25 V to 2.75 V

with the nominal default setting as 2.5 V. LDO\_2P5 supplies the USB Phy, LVDS Phy and PLLs. A programmable brown-out detector is included in the regulator that can be used by the system to determine when the load capability of the regulator is being exceeded, to take the necessary steps. Current-limiting can be enabled to allow for in-rush current requirements during start-up, if needed. Active-pull-down can also be enabled for systems requiring this feature. An alternate self-biased low-precision weak-regulator is included that can be enabled for applications needing to keep the output voltage alive during low-power modes where the main regulator driver and its associated global bandgap reference module are disabled. The output of the weak-regulator is not programmable and is a function of the input supply as well as the load current. Typically, with a 3 V input supply the weak-regulator output is 2.525 V and its output impedance is approximately 40  $\Omega$ .

For information on external capacitor requirements for this regulator, see the *Hardware Development Guide for i.MX 6SLL Applications Processors* (IMX6SLLHDG).

For additional information, see the *i.MX 6SLL Reference Manual* (IMX6SLLRM).

### 4.3.1.3 LDO\_USB

The LDO\_USB module implements a programmable linear-regulator function from the USB\_OTG1\_VBUS and USB\_OTG2\_VBUS voltages (4.4 V–5.5 V) to produce a nominal 3.0 V output voltage. A programmable brown-out detector is included in the regulator that can be used by the system to determine when the load capability of the regulator is being exceeded, to take the necessary steps. This regulator has a built in power-mux that allows the user to select to run the regulator from either VBUS supply, when both are present. If only one of the VBUS voltages is present, then, the regulator automatically selects this supply. Current limit is also included to help the system meet in-rush current targets. If no VBUS voltage is present, then the VBUSVALID threshold setting will prevent the regulator from being enabled.

For information on external capacitor requirements for this regulator, see the *Hardware Development Guide for i.MX 6SLL Applications Processors* (IMX6SLLHDG).

For additional information, see the *i.MX 6SLL Reference Manual* (IMX6SLLRM).

## 4.4 PLL's Electrical Characteristics

### 4.4.1 Audio/Video PLL's Electrical Parameters

Table 14. Audio/Video PLL's Electrical Parameters

| Parameter          | Value                                 |
|--------------------|---------------------------------------|
| Clock output range | 650 MHz ~1.3 GHz                      |
| Reference clock    | 24 MHz                                |
| Lock time          | <11250 reference cycles (450 $\mu$ s) |

## 4.4.2 528 MHz PLL

Table 15. 528 MHz PLL's Electrical Parameters

| Parameter          | Value                                |
|--------------------|--------------------------------------|
| Clock output range | 528 MHz PLL output                   |
| Reference clock    | 24 MHz                               |
| Lock time          | <11250 reference cycles (15 $\mu$ s) |

## 4.4.3 480 MHz PLL

Table 16. 480 MHz PLL's Electrical Parameters

| Parameter          | Value                              |
|--------------------|------------------------------------|
| Clock output range | 480 MHz PLL output                 |
| Reference clock    | 24 MHz                             |
| Lock time          | <383 reference cycles (15 $\mu$ s) |

## 4.4.4 Arm PLL

Table 17. Arm PLL's Electrical Parameters

| Parameter          | Value                               |
|--------------------|-------------------------------------|
| Clock output range | 650 MHz~1.3 GHz                     |
| Reference clock    | 24 MHz                              |
| Lock time          | <2250 reference cycles (50 $\mu$ s) |

## 4.5 On-Chip Oscillators

### 4.5.1 OSC24M

This block implements an amplifier that when combined with a suitable quartz crystal and external load capacitors implements an oscillator. It also implements a power mux such that the oscillator can be powered from VDD\_SOC. If the oscillator is required to run in *stop mode* then it is necessary to run from VDD\_SOC, which is 0.9 V in *stop mode*.

The system crystal oscillator consists of a Pierce-type structure running off the digital supply. A straight forward biased-inverter implementation is used.

## 4.5.2 OSC32K

This block implements an amplifier that when combined with a suitable quartz crystal and external load capacitors implements a low power oscillator. It also implements a power mux such that it can be powered from either a ~3 V backup battery (VDD\_SNVS\_IN) or VDD\_HIGH\_IN such as the oscillator consumes power from VDD\_HIGH\_IN when that supply is available and transitions to the back up battery when VDD\_HIGH\_IN is lost.

In addition, if the clock monitor determines that the OSC32K is not present, then the source of the 32 kHz clock will automatically switch to the internal ring oscillator.

### CAUTION

The internal RTC oscillator does not provide an accurate frequency and is affected by process, voltage and temperature variations. NXP strongly recommends using an external crystal as the RTC\_XTALI reference. If the internal oscillator is used instead, careful consideration must be given to the timing implications on all of the SoC modules dependent on this clock.

**Table 18. OSC32K Main Characteristics**

| Parameter                        | Min | Typ           | Max | Comments   |
|----------------------------------|-----|---------------|-----|--|
| Fosc                             | —   | 32.768 kHz    | —   | This frequency is nominal and determined mainly by the crystal selected. 32.0 K would work as well.  |
| Current consumption              | —   | 4 $\mu$ A     | —   | The typical value shown is only for the oscillator, driven by an external crystal. If the internal ring oscillator is used instead of an external crystal, then approximately 25 $\mu$ A should be added to this value.  |
| Bias resistor                    | —   | 14 M $\Omega$ | —   | This the integrated bias resistor that sets the amplifier into a high gain state. Any leakage through the ESD network, external board leakage, or even a scope probe that is significant relative to this value will debias the amp. The debiasing will result in low gain, and will impact the circuit's ability to start up and maintain oscillations. |
| <b>Target Crystal Properties</b> |     |               |     |  |
| Clload                           | —   | 10 pF         | —   | Usually crystals can be purchased tuned for different Clloads. This Clload value is typically 1/2 of the capacitances realized on the PCB on either side of the quartz. A higher Clload will decrease oscillation margin, but increases current oscillating through the crystal.   |
| ESR                              | —   | 50 k $\Omega$ | —   | Equivalent series resistance of the crystal. Choosing a crystal with a higher value will decrease the oscillating margin.  |

## 4.6 I/O DC Parameters

This section includes the DC parameters of the following I/O types:

- Dual Voltage General Purpose I/O cell set (DVGPIO)
- Single Voltage General Purpose I/O cell set (GPIO)
- Double Data Rate I/O (DDR) for LPDDR2 and LPDDR3 modes

**NOTE**

The term OVDD in this section refers to the associated supply rail of an input or output.

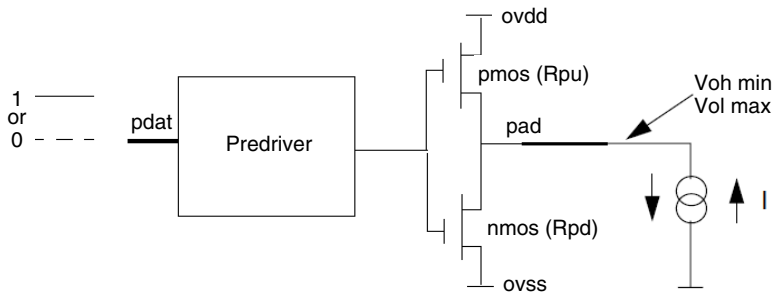


Figure 4. Circuit for Parameters Voh and Vol for I/O Cells

**4.6.1 XTALI and RTC\_XTALI (Clock Inputs) DC Parameters**

Table 19 shows the DC parameters for the clock inputs.

Table 19. XTALI and RTC\_XTALI DC Parameters <sup>1</sup>

| Parameter                             | Symbol                     | Test Conditions   | Min            | Typ | Max              | Unit |
|---------------------------------------|----------------------------|---|----------------|-----|------------------|------|
| XTALI high-level DC input voltage     | Vih                        | —   | 0.8 x NVCC_PLL | —   | NVCC_PLL         | V    |
| XTALI low-level DC input voltage      | Vil                        | —   | 0              | —   | 0.2              | V    |
| RTC_XTALI high-level DC input voltage | Vih                        | —   | 0.8            | —   | 1.1 <sup>2</sup> | V    |
| RTC_XTALI low-level DC input voltage  | Vil                        | —   | 0              | —   | 0.2              | V    |
| Input Capacitance                     | C <sub>IN</sub>            | Simulated data  | —              | 5   | —                | pF   |
| Startup current                       | I <sub>XTALI_STARTUP</sub> | Power-on startup for 0.15 msec with a driven 24 MHz clock at 1.1 V. This current draw is present even if an external clock source directly drives XTALI | —              | —   | 600              | μA   |
| DC input current                      | I <sub>XTALI_DC</sub>      | —   | —              | —   | 2.5              | μA   |

<sup>1</sup> The DC parameters are for external clock input only.

<sup>2</sup> This voltage specification must not be exceeded and, as such, is an absolute maximum specification.

**NOTE**

The Vil and Vih specifications only apply when an external clock source is used. If a crystal is used, Vil and Vih do not apply.

## 4.6.2 Dual Voltage General Purpose IO cell set (DVGPIO) DC Parameters

Table 20 shows DC parameters for GPIO pads. The parameters in Table 21 are guaranteed per the operating ranges in Table 9, unless otherwise noted.

Table 20. DVGPIO I/O DC Parameters

| Parameter                                   | Symbol | Test Conditions   | Min         | Max        | Unit |
|---|--------|---|-------------|------------|------|
| High-level output voltage <sup>1</sup>      | Voh    | Ioh = -0.1 mA (DSE <sup>2</sup> = 001, 010)<br>Ioh = -1 mA<br>(DSE = 011, 100, 101, 110, 111) | OVDD - 0.15 | —          | V    |
| Low-level output voltage <sup>1</sup>       | Vol    | Iol = 0.1 mA (DSE <sup>2</sup> = 001, 010)<br>Iol = 1mA<br>(DSE = 011, 100, 101, 110, 111)    | —           | 0.15       | V    |
| High-Level DC input voltage <sup>1, 3</sup> | Vih    | —   | 0.7 × OVDD  | OVDD       | V    |
| Low-Level DC input voltage <sup>1, 3</sup>  | Vil    | —   | 0           | 0.3 × OVDD | V    |
| Input Hysteresis                            | Vhys   | OVDD = 1.8 V<br>OVDD = 3.3 V  | 0.25        | —          | V    |
| Schmitt trigger VT+ <sup>3, 4</sup>         | VT+    | —   | 0.5 × OVDD  | —          | V    |
| Schmitt trigger VT- <sup>3, 4</sup>         | VT-    | —   | —           | 0.5 × OVDD | V    |
| Input current (no pull-up/down)             | Iin    | Vin = OVDD or 0   | -1.25       | 1.25       | μA   |
| Input current (22 kΩ pull-up)               | Iin    | Vin = 0 V<br>Vin = OVDD   | —           | 212<br>1   | μA   |
| Input current (47 kΩ pull-up)               | Iin    | Vin = 0 V<br>Vin = OVDD   | —           | 100<br>1   | μA   |
| Input current (100 kΩ pull-up)              | Iin    | Vin = 0 V<br>Vin = OVDD   | —           | 48<br>1    | μA   |
| Input current (100 kΩ pull-down)            | Iin    | Vin = 0 V<br>Vin = OVDD   | —           | 1<br>48    | μA   |
| Keeper circuit resistance                   | Rkeep  | Vin = 0.3 × OVDD<br>Vin = 0.7 × OVDD  | 105         | 205        | kΩ   |

<sup>1</sup> Overshoot and undershoot conditions (transitions above OVDD and below GND) on switching pads must be held below 0.6 V, and the duration of the overshoot/undershoot must not exceed 10% of the system clock cycle. Overshoot/undershoot must be controlled through printed circuit board layout, transmission line impedance matching, signal line termination, or other methods. Non-compliance to this specification may affect device reliability or cause permanent damage to the device.

<sup>2</sup> DSE is the Drive Strength Field setting in the associated IOMUX control register.

<sup>3</sup> To maintain a valid level, the transition edge of the input must sustain a constant slew rate (monotonic) from the current DC level through to the target DC level, Vil or Vih. Monotonic input transition time is from 0.1 ns to 1 s.

<sup>4</sup> Hysteresis of 250 mV is guaranteed over all operating conditions when hysteresis is enabled.

## 4.6.3 Single Voltage General Purpose I/O (GPIO) DC Parameters

Table 21 shows DC parameters for GPIO pads. The parameters in Table 21 are guaranteed per the operating ranges in Table 9, unless otherwise noted.

Table 21. GPIO I/O DC Parameters

| Parameter                                   | Symbol | Test Conditions  | Min         | Max        | Unit |
|---|--------|--|-------------|------------|------|
| High-level output voltage <sup>1</sup>      | Voh    | Ioh = -0.1 mA (DSE <sup>2</sup> = 001, 010)<br>Ioh = -1 mA (DSE = 011, 100, 101, 110, 111) | OVDD - 0.15 | —          | V    |
| Low-level output voltage <sup>1</sup>       | Vol    | Iol = 0.1 mA (DSE <sup>2</sup> = 001, 010)<br>Iol = 1 mA (DSE = 011, 100, 101, 110, 111)   | —           | 0.15       | V    |
| High-Level DC input voltage <sup>1, 3</sup> | Vih    | —  | 0.7 × OVDD  | OVDD       | V    |
| Low-Level DC input voltage <sup>1, 3</sup>  | Vil    | —  | 0           | 0.3 × OVDD | V    |
| Input Hysteresis                            | Vhys   | OVDD = 3.3 V   | 0.25        | —          | V    |
| Schmitt trigger VT+ <sup>3, 4</sup>         | VT+    | —  | 0.5 × OVDD  | —          | V    |
| Schmitt trigger VT- <sup>3, 4</sup>         | VT-    | —  | —           | 0.5 × OVDD | V    |
| Input current (no pull-up/down)             | Iin    | Vin = OVDD or 0  | -1.25       | 1.25       | μA   |
| Input current (22 kΩ pull-up)               | Iin    | Vin = 0 V<br>Vin = OVDD  | —           | 212<br>1   | μA   |
| Input current (47 kΩ pull-up)               | Iin    | Vin = 0 V<br>Vin = OVDD  | —           | 100<br>1   | μA   |
| Input current (100 kΩ pull-up)              | Iin    | Vin = 0 V<br>Vin = OVDD  | —           | 48<br>1    | μA   |
| Input current (100 kΩ pull-down)            | Iin    | Vin = 0 V<br>Vin = OVDD  | —           | 1<br>48    | μA   |
| Keeper circuit resistance                   | Rkeep  | Vin = 0.3 × OVDD<br>Vin = 0.7 × OVDD   | 105         | 205        | kΩ   |

<sup>1</sup> Overshoot and undershoot conditions (transitions above OVDD and below GND) on switching pads must be held below 0.6 V, and the duration of the overshoot/undershoot must not exceed 10% of the system clock cycle. Overshoot/undershoot must be controlled through printed circuit board layout, transmission line impedance matching, signal line termination, or other methods. Non-compliance to this specification may affect device reliability or cause permanent damage to the device.

<sup>2</sup> DSE is the Drive Strength Field setting in the associated IOMUX control register.

<sup>3</sup> To maintain a valid level, the transition edge of the input must sustain a constant slew rate (monotonic) from the current DC level through to the target DC level, Vil or Vih. Monotonic input transition time is from 0.1 ns to 1 s.

<sup>4</sup> Hysteresis of 250 mV is guaranteed over all operating conditions when hysteresis is enabled.

#### 4.6.4 DDR I/O DC Parameters

The DDR I/O pads support LPDDR2 and LPDDR3 operational modes. The Multi-mode DDR Controller (MMDC) is compatible with JEDEC-compliant SDRAMs.

The i.MX 6SLL MMDC supports the following memory types:

- LPDDR2 SDRAM compliant to JESD209-2B LPDDR2 JEDEC standard release June, 2009
- LPDDR3 SDRAM compliant to JESD209-3B LPDDR3 JEDEC standard release August, 2013

MMDC operation with the standards stated above is contingent upon the board DDR design adherence to the DDR design and layout requirements stated in the *Hardware Development Guide for the i.MX 6SLL Applications Processor (IMX6SLLHDG)*.

#### 4.6.4.1 LPDDR2/LPDDR3 I/O DC Parameters

Table 22 shows the DC parameters for DDR I/O operating in LPDDR2 and LPDDR3 mode.

Table 22. LPDDR2/LPDDR3 I/O DC Electrical Parameters<sup>1</sup>

| Parameters                           | Symbol    | Test Conditions | Min                       | Max                       | Unit |
|--------------------------------------|-----------|-----------------|---------------------------|---------------------------|------|
| High-level output voltage            | Voh       | Ioh = -0.1 mA   | $0.9 \times \text{OVDD}$  | —                         | V    |
| Low-level output voltage             | Vol       | Iol = 0.1 mA    | —                         | $0.1 \times \text{OVDD}$  | V    |
| Input reference voltage              | Vref      | —               | $0.49 \times \text{OVDD}$ | $0.51 \times \text{OVDD}$ |      |
| DC input High Voltage                | Vih(dc)   | —               | Vref+0.13V                | OVDD                      | V    |
| DC input Low Voltage                 | Vil(dc)   | —               | OVSS                      | Vref-0.13V                | V    |
| Differential Input Logic High        | Vih(diff) | —               | 0.26                      | See Note <sup>2</sup>     |      |
| Differential Input Logic Low         | Vil(diff) | —               | See Note <sup>2</sup>     | -0.26                     |      |
| Input current (no pull-up/down)      | Iin       | Vin = 0 or OVDD | -2.5                      | 2.5                       | μA   |
| Pull-up/pull-down impedance Mismatch | MMpupd    | —               | -15                       | +15                       | %    |
| 240 Ω unit calibration resolution    | Rres      | —               | —                         | 10                        | Ω    |
| Keeper circuit resistance            | Rkeep     | —               | 110                       | 175                       | kΩ   |

<sup>1</sup> Note that the JEDEC LPDDR2 and LPDDR3 specification (JESD209\_2B and JESD209-3) supersedes any specification in this document.

<sup>2</sup> The single-ended signals need to be within the respective limits (Vih(dc) max, Vil(dc) min) for single-ended signals as well as the limitations for overshoot and undershoot (see Table 25).

## 4.7 I/O AC Parameters

This section includes the AC parameters of the following I/O types:

- General Purpose I/O (GPIO)
- Dual Voltage General Purpose I/O (DVGPIO)
- Double Data Rate I/O (DDR) for LPDDR2 and LPDDR3 modes

The GPIO and DDR I/O load circuit and output transition time waveforms are shown in Figure 5 and Figure 6.

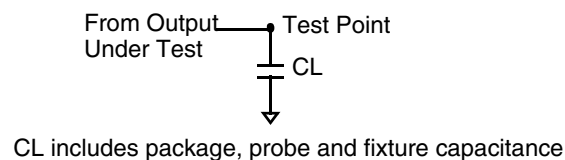


Figure 5. Load Circuit for Output

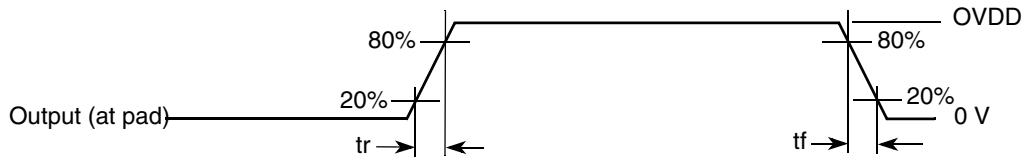


Figure 6. Output Transition Time Waveform

## 4.7.1 General Purpose I/O AC Parameters

The I/O AC parameters for GPIO in slow and fast modes are presented in the [Table 23](#) and [Table 24](#), respectively. Note that the fast or slow I/O behavior is determined by the appropriate control bits in the IOMUXC control registers.

**Table 23. General Purpose I/O AC Parameters 1.8 V Mode**

| Parameter  | Symbol | Test Condition   | Min | Typ | Max                    | Unit |
|--|--------|--|-----|-----|------------------------|------|
| Output Pad Transition Times, rise/fall (Max Drive, ipp_dse=111)    | tr, tf | 15 pF Cload, slow slew rate<br>15 pF Cload, fast slew rate | —   | —   | 2.72/2.79<br>1.51/1.54 | ns   |
| Output Pad Transition Times, rise/fall (High Drive, ipp_dse=101)   | tr, tf | 15 pF Cload, slow slew rate<br>15 pF Cload, fast slew rate | —   | —   | 3.20/3.36<br>1.96/2.07 |      |
| Output Pad Transition Times, rise/fall (Medium Drive, ipp_dse=100) | tr, tf | 15 pF Cload, slow slew rate<br>15 pF Cload, fast slew rate | —   | —   | 3.64/3.88<br>2.27/2.53 |      |
| Output Pad Transition Times, rise/fall (Low Drive, ipp_dse=011)    | tr, tf | 15 pF Cload, slow slew rate<br>15 pF Cload, fast slew rate | —   | —   | 4.32/4.50<br>3.16/3.17 |      |
| Input Transition Times <sup>1</sup>                                | trm    | —  | —   | —   | 25                     | ns   |

<sup>1</sup> Hysteresis mode is recommended for inputs with transition times greater than 25 ns.

**Table 24. General Purpose I/O AC Parameters 3.3 V Mode**

| Parameter  | Symbol | Test Condition   | Min | Typ | Max                    | Unit |
|--|--------|--|-----|-----|------------------------|------|
| Output Pad Transition Times, rise/fall (Max Drive, ipp_dse=101)    | tr, tf | 15 pF Cload, slow slew rate<br>15 pF Cload, fast slew rate | —   | —   | 1.70/1.79<br>1.06/1.15 | ns   |
| Output Pad Transition Times, rise/fall (High Drive, ipp_dse=011)   | tr, tf | 15 pF Cload, slow slew rate<br>15 pF Cload, fast slew rate | —   | —   | 2.35/2.43<br>1.74/1.77 |      |
| Output Pad Transition Times, rise/fall (Medium Drive, ipp_dse=010) | tr, tf | 15 pF Cload, slow slew rate<br>15 pF Cload, fast slew rate | —   | —   | 3.13/3.29<br>2.46/2.60 |      |
| Output Pad Transition Times, rise/fall (Low Drive, ipp_dse=001)    | tr, tf | 15 pF Cload, slow slew rate<br>15 pF Cload, fast slew rate | —   | —   | 5.14/5.57<br>4.77/5.15 |      |
| Input Transition Times <sup>1</sup>                                | trm    | —  | —   | —   | 25                     | ns   |

<sup>1</sup> Hysteresis mode is recommended for inputs with transition times greater than 25 ns.

## 4.7.2 DDR I/O AC Parameters

The Multi-mode DDR Controller (MMDC) is compatible with JEDEC-compliant SDRAMs.

The i.MX 6SLL MMDC supports the following memory types:

- LPDDR2 SDRAM compliant to JESD209-2B LPDDR2 JEDEC standard release June, 2009
- LPDDR3 SDRAM compliant to JESD209-3B LPDDR3 JEDEC standard release August, 2013

MMDC operation with the standards stated above is contingent upon the board DDR design adherence to the DDR design and layout requirements stated in the *Hardware Development Guide for the i.MX 6SLL Applications Processor (IMX6SLLHDG)*.

Table 25 shows the AC parameters for DDR I/O operating in LPDDR2 and LPDDR3 mode.

**Table 25. DDR I/O AC Parameters<sup>1</sup>**

| Parameter   | Symbol           | Test Condition   | Min         | Typ | Max         | Unit |
|---|------------------|--|-------------|-----|-------------|------|
| AC input logic high   | Vih(ac)          | —  | Vref + 0.22 | —   | OVDD        | V    |
| AC input logic low  | Vil(ac)          | —  | 0           | —   | Vref – 0.22 | V    |
| AC differential input high voltage <sup>2</sup>                 | Vidh(ac)         | —  | 0.44        | —   | —           | V    |
| AC differential input low voltage                               | Vidl(ac)         | —  | —           | —   | 0.44        | V    |
| Input AC differential cross point voltage <sup>3</sup>          | Vix(ac)          | Relative to Vref   | -0.12       | —   | 0.12        | V    |
| Over/undershoot peak  | Vpeak            | —  | —           | —   | 0.35        | V    |
| Over/undershoot area (above OVDD or below OVSS)                 | Varea            | 400 MHz  | —           | —   | 0.3         | V-ns |
| Single output slew rate, measured between Vol (ac) and Voh (ac) | tsr              | 50 Ω to Vref.<br>5 pF load.<br>Drive impedance = 40 Ω ±30% | 1.5         | —   | 3.5         | V/ns |
|   |                  | 50 Ω to Vref.<br>5pF load.<br>Drive impedance = 60 Ω ±30%  | 1           | —   | 2.5         |      |
| Skew between pad rise/fall asymmetry + skew caused by SSN       | t <sub>SKD</sub> | clk = 400 MHz  | —           | —   | 0.1         | ns   |

<sup>1</sup> Note that the JEDEC LPDDR2 and LPDDR3 specification (JESD209\_2B and JESD209-3B) supersedes any specification in this document.

<sup>2</sup> Vid(ac) specifies the input differential voltage |Vtr – Vcpl| required for switching, where Vtr is the “true” input signal and Vcpl is the “complementary” input signal. The Minimum value is equal to Vih(ac) – Vil(ac).

<sup>3</sup> The typical value of Vix(ac) is expected to be about 0.5 × OVDD. and Vix(ac) is expected to track variation of OVDD. Vix(ac) indicates the voltage at which differential input signal must cross.

## 4.8 Output Buffer Impedance Parameters

This section defines the I/O impedance parameters of the i.MX 6SLL processor for the following I/O types:

- Dual Voltage General Purpose I/O cell set (DVGPI0)
- Single Voltage General Purpose I/O cell set (GPIO)

- Double Data Rate I/O (DDR)

### NOTE

GPIO and DDR I/O output driver impedance is measured with “long” transmission line of impedance  $Z_{tl}$  attached to I/O pad and incident wave launched into transmission line.  $R_{pu}/R_{pd}$  and  $Z_{tl}$  form a voltage divider that defines specific voltage of incident wave relative to OVDD. Output driver impedance is calculated from this voltage divider (see Figure 7).

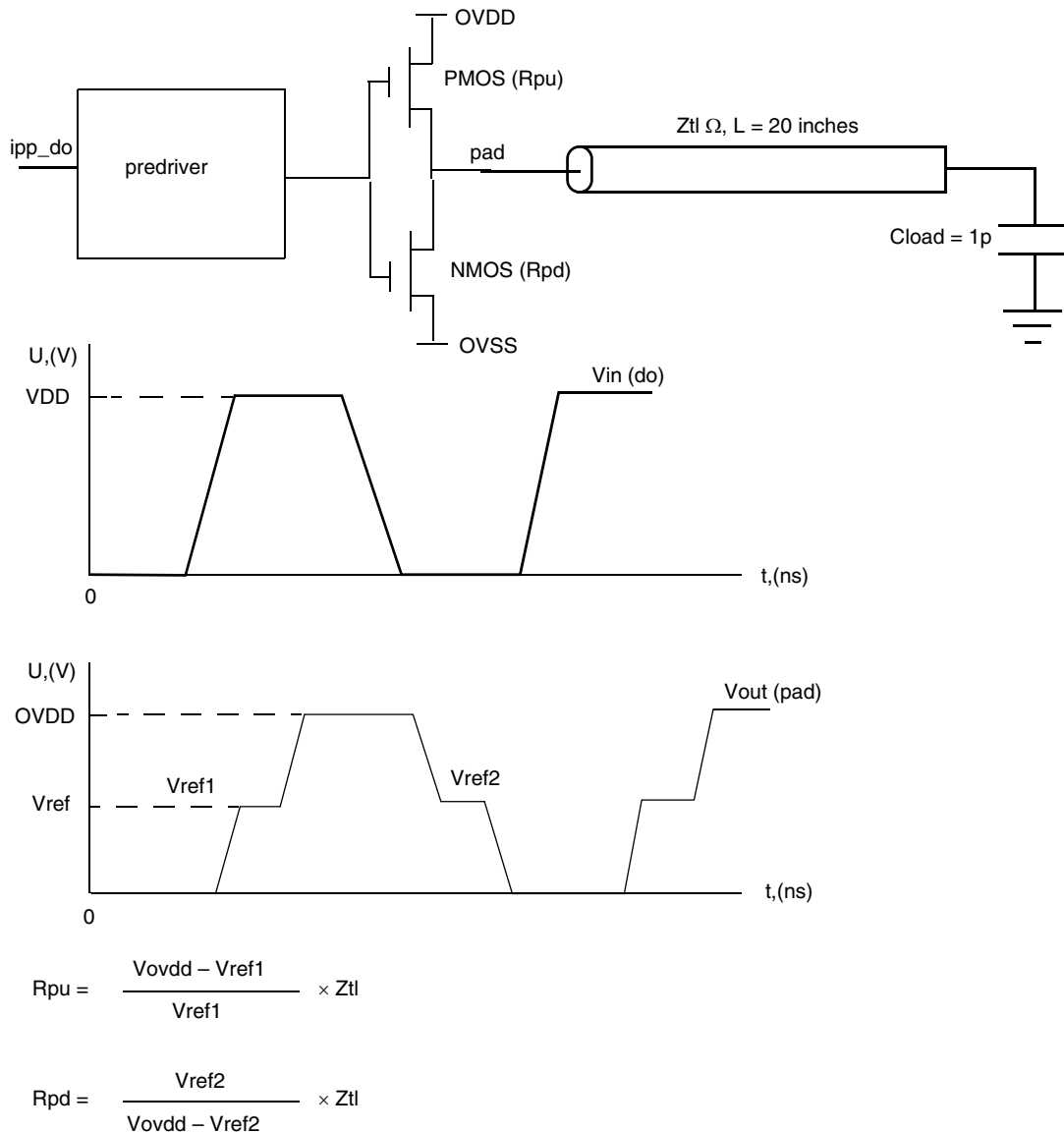


Figure 7. Impedance Matching Load for Measurement

## 4.8.1 Dual Voltage GPIO Output Buffer Impedance

Table 26 shows the GPIO output buffer impedance (OVDD 1.8 V).

**Table 26. DVGPIO Output Buffer Average Impedance (OVDD 1.8 V)**

| Parameter               | Symbol | Drive Strength (ipp_dse) | Typ Value | Unit     |
|-------------------------|--------|--------------------------|-----------|----------|
| Output Driver Impedance | Rdrv   | 001                      | 260       | $\Omega$ |
|                         |        | 010                      | 130       |          |
|                         |        | 011                      | 90        |          |
|                         |        | 100                      | 60        |          |
|                         |        | 101                      | 50        |          |
|                         |        | 110                      | 40        |          |
|                         |        | 111                      | 33        |          |

Table 27 shows the GPIO output buffer impedance (OVDD 3.3 V).

**Table 27. DVGPIO Output Buffer Average Impedance (OVDD 3.3 V)**

| Parameter               | Symbol | Drive Strength (ipp_dse) | Typ Value | Unit     |
|-------------------------|--------|--------------------------|-----------|----------|
| Output Driver Impedance | Rdrv   | 001                      | 150       | $\Omega$ |
|                         |        | 010                      | 75        |          |
|                         |        | 011                      | 50        |          |
|                         |        | 100                      | 37        |          |
|                         |        | 101                      | 30        |          |
|                         |        | 110                      | 25        |          |
|                         |        | 111                      | 20        |          |

#### 4.8.2 Single Voltage GPIO Output Buffer Impedance

Table 28 shows the GPIO output buffer impedance (OVDD 3.3 V).

**Table 28. GPIO Output Buffer Average Impedance (OVDD 3.3 V)**

| Parameter               | Symbol | Drive Strength (ipp_dse) | Typ Value | Unit     |
|-------------------------|--------|--------------------------|-----------|----------|
| Output Driver Impedance | Rdrv   | 001                      | 150       | $\Omega$ |
|                         |        | 010                      | 75        |          |
|                         |        | 011                      | 50        |          |
|                         |        | 100                      | 37        |          |
|                         |        | 101                      | 30        |          |
|                         |        | 110                      | 25        |          |
|                         |        | 111                      | 20        |          |

#### 4.8.3 DDR I/O Output Buffer Impedance

Table 29 shows DDR I/O output buffer impedance of i.MX 6SLL processor.

Table 29. DDR I/O Output Buffer Impedance

| Parameter               | Symbol | Test Conditions  | Typical  | Unit     |
|-------------------------|--------|--|--|----------|
|                         |        |  | NVCC_DRAM=1.2 V<br>(LPDDR2/LPDDR3)<br>DDR_SEL=10 |          |
| Output Driver Impedance | Rdrv   | Drive Strength (DSE) =<br>000<br>001<br>010<br>011<br>100<br>101<br>110<br>111 | Hi-Z<br>240<br>120<br>80<br>60<br>48<br>40<br>34 | $\Omega$ |

**Note:**

1. Output driver impedance is controlled across PVTs using ZQ calibration procedure.
2. Calibration is done against 240  $\Omega$  external reference resistor.
3. Output driver impedance deviation (calibration accuracy) is  $\pm 5\%$  (max/min impedance) across PVTs.

## 4.9 System Modules Timing

This section contains the timing and electrical parameters for the modules in each i.MX 6SLL processor.

### 4.9.1 Reset Timings Parameters

Figure 8 shows the reset timing and Table 30 lists the timing parameters.

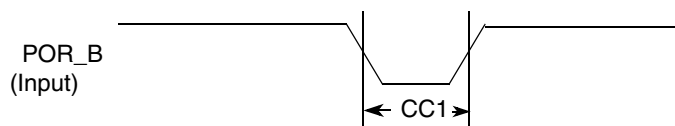


Figure 8. Reset Timing Diagram

Table 30. Reset Timing Parameters

| ID  | Parameter                                   | Min | Max | Unit                    |
|-----|---|-----|-----|-------------------------|
| CC1 | Duration of POR_B to be qualified as valid. | 1   | —   | XTALOSC_RTC_XTALI cycle |

### 4.9.2 WDOG Reset Timing Parameters

Figure 9 shows the WDOG reset timing and Table 31 lists the timing parameters.

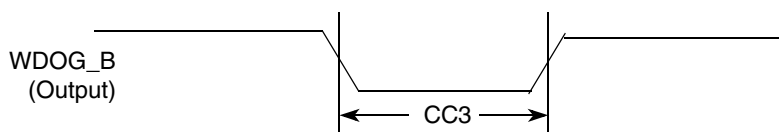


Figure 9. WDOG\_B Timing Diagram

**Table 31. WDOG\_B Timing Parameters**

| ID  | Parameter                    | Min | Max | Unit                    |
|-----|------------------------------|-----|-----|-------------------------|
| CC3 | Duration of WDOG_B Assertion | 1   | —   | XTALOSC_RTC_XTALI cycle |

**NOTE**

XTALOSC\_RTC\_XTALI is approximately 32 kHz.  
 XTALOSC\_RTC\_XTALI cycle is one period or approximately 30 μs.

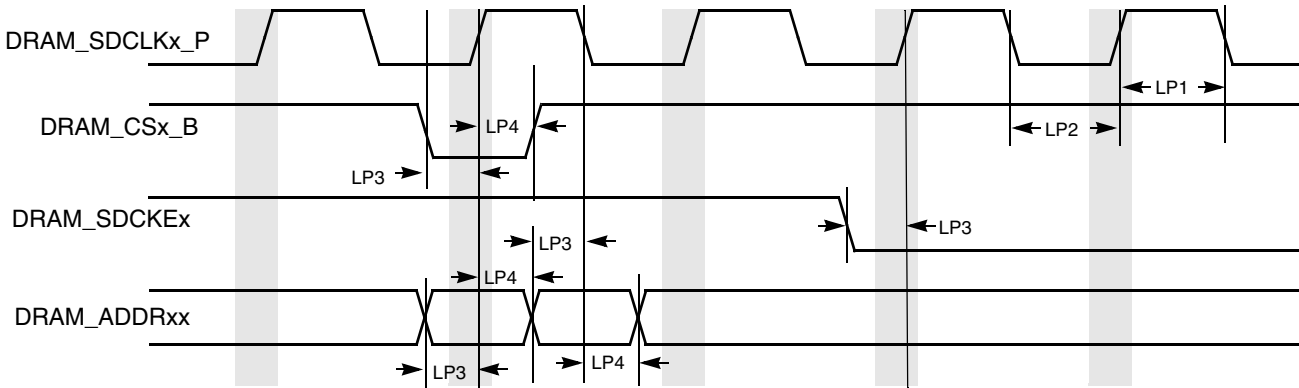
**NOTE**

WDOG\_B output signals (for each one of the Watchdog modules) do not have dedicated bins, but are muxed out through the IOMUX. See the IOMUX manual for detailed information.

**4.9.3 DDR SDRAM Specific Parameters (LPDDR2 and LPDDR3)**

**4.9.3.1 LPDDR2 and LPDDR3 Parameters**

Figure 10 shows the LPDDR2 and LPDDR3 basic timing diagram. The timing parameters for this diagram appear in Table 32.



**Figure 10. LPDDR2 and LPDDR3 Command and Address Timing Diagram**

**Table 32. LPDDR2 and LPDDR3 Timing Parameters**

| ID  | Parameter                          | Symbol | CK = 400 MHz |      | Unit |
|-----|------------------------------------|--------|--------------|------|------|
|     |                                    |        | Min          | Max  |      |
| LP1 | SDRAM clock high-level width       | tCH    | 0.45         | 0.55 | tCK  |
| LP2 | SDRAM clock low-level width        | tCL    | 0.45         | 0.55 | tCK  |
| LP3 | DRAM_CSx_B, DRAM_SDCKEx setup time | tIS    | 380          | —    | ps   |
| LP4 | DRAM_CSx_B, DRAM_SDCKEx hold time  | tIH    | 380          | —    | ps   |

<sup>1</sup> All measurements are in reference to Vref level.

<sup>2</sup> Measurements were done using balanced load and 25 Ω resistor from outputs to DRAM\_VREF.

Figure 11 shows the LPDDR2 and LPDDR3 write timing diagram. The timing parameters for this diagram appear in Table 33.

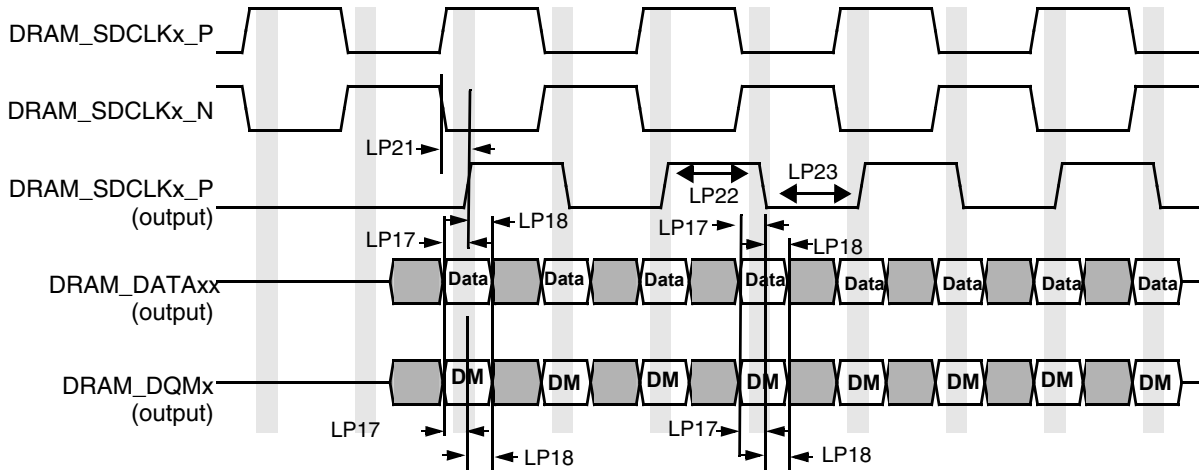


Figure 11. LPDDR2 and LPDDR3 Write Cycle

Table 33. LPDDR2 and LPDDR3 Write Cycle

| ID   | Parameter  | Symbol            | CK = 400 MHz |       | Unit |
|------|--|-------------------|--------------|-------|------|
|      |  |                   | Min          | Max   |      |
| LP17 | DRAM_DATAxx and DRAM_DQMx setup time to DRAM_SDQSx_P (differential strobe) | t <sub>DS</sub>   | 375          | —     | ps   |
| LP18 | DRAM_DATAxx and DRAM_DQMx hold time to DRAM_SDQSx_P (differential strobe)  | t <sub>DH</sub>   | 375          | —     | ps   |
| LP21 | DRAM_SDQSx_P latching rising transitions to associated clock edges         | t <sub>DQSS</sub> | -0.25        | +0.25 | tCK  |
| LP22 | DRAM_SDQSx_P high level width  | t <sub>DQSH</sub> | 0.4          | —     | tCK  |
| LP23 | DRAM_SDQSx_P low level width   | t <sub>DQSL</sub> | 0.4          | —     | tCK  |

<sup>1</sup> To receive the reported setup and hold values, write calibration should be performed in order to locate the DRAM\_SDQS in the middle of DRAM\_DATAxx window.

<sup>2</sup> All measurements are in reference to Vref level.

<sup>3</sup> Measurements were done using balanced load and 25 Ω resistor from outputs to DRAM\_VREF.

Figure 12 shows the LPDDR2 and LPDDR3 read timing diagram. The timing parameters for this diagram appear in Table 34.

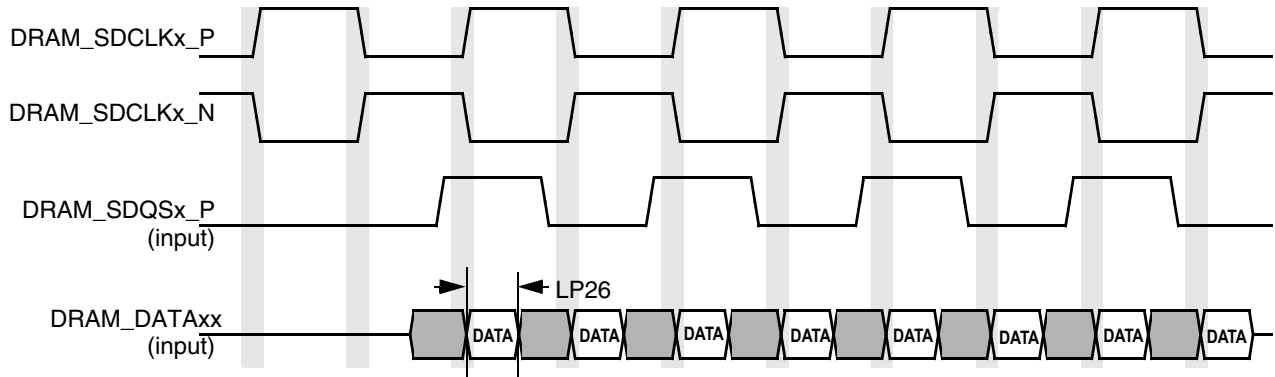


Figure 12. LPDDR2 and LPDDR3 Read Cycle

Table 34. LPDDR2 and LPDDR3 Read Cycle

| ID   | Parameter   | Symbol | CK = 400 MHz |     | Unit |
|------|---|--------|--------------|-----|------|
|      |   |        | Min          | Max |      |
| LP26 | Minimum required DRAM_DATAxx valid window width for LPDDR2 and LPDDR3 | —      | 270          | —   | ps   |

- <sup>1</sup> To receive the reported setup and hold values, read calibration should be performed in order to locate the DRAM\_SDQSx\_P in the middle of DRAM\_DATA\_xx window.
- <sup>2</sup> All measurements are in reference to Vref level.
- <sup>3</sup> Measurements were done using balanced load and 25 Ω resistor from outputs to DRAM\_VREF.

## 4.10 External Peripheral Interface Parameters

The following subsections provide information on external peripheral interfaces.

### 4.10.1 AUDMUX Timing Parameters

The AUDMUX provides a programmable interconnect logic for voice, audio, and data routing between internal serial interfaces (SSIs) and external serial interfaces (audio and voice codecs). The AC timing of AUDMUX external pins is governed by the SSI module. For more information, see the respective SSI electrical specifications found within this document.

### 4.10.2 CMOS Sensor Interface (CSI) Timing Parameters

#### 4.10.2.1 Gated Clock Mode Timing

Figure 13 and Figure 14 shows the gated clock mode timings for CSI, and Table 35 describes the timing parameters (P1–P7) shown in the figures. A frame starts with a rising/falling edge on CSI\_VSYNC

(VSYNC), then CSI\_HSYNC (HSYNC) is asserted and holds for the entire line. The pixel clock, CSI\_PIXCLK (PIXCLK), is valid as long as HSYNC is asserted.

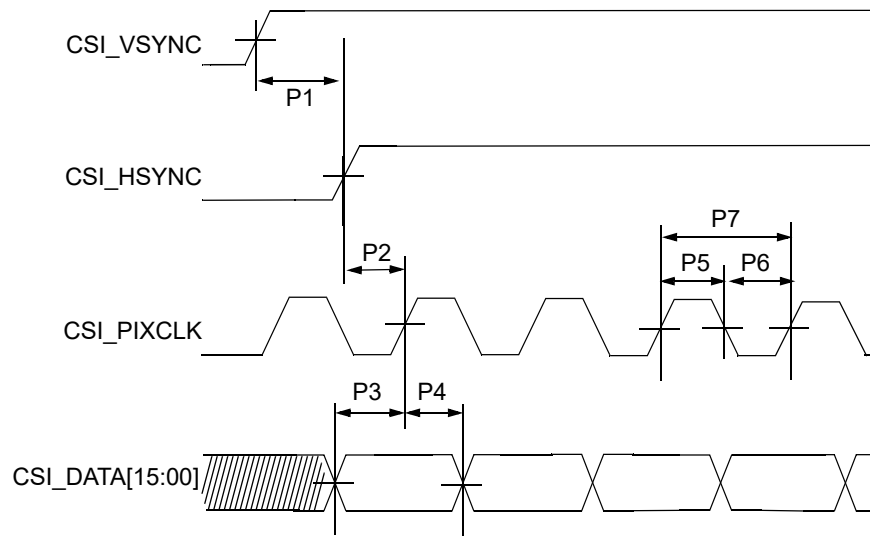


Figure 13. CSI Gated Clock Mode—Sensor Data at Falling Edge, Latch Data at Rising Edge

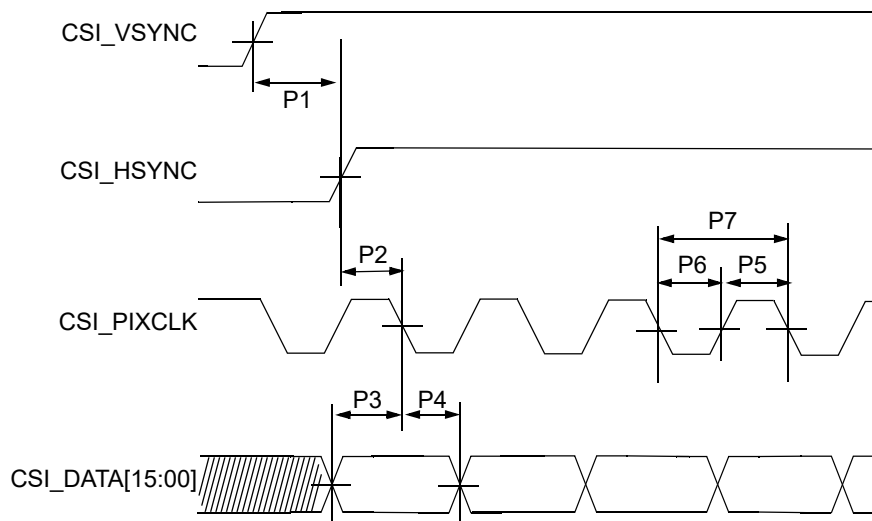


Figure 14. CSI Gated Clock Mode—Sensor Data at Rising Edge, Latch Data at Falling Edge

Table 35. CSI Gated Clock Mode Timing Parameters

| ID | Parameter                   | Symbol | Min. | Max. | Units |
|----|-----------------------------|--------|------|------|-------|
| P1 | CSI_VSYNC to CSI_HSYNC time | tV2H   | 33.5 | —    | ns    |
| P2 | CSI_HSYNC setup time        | tHsu   | 1    | —    | ns    |
| P3 | CSI DATA setup time         | tDsu   | 1    | —    | ns    |
| P4 | CSI DATA hold time          | tDh    | 1    | —    | ns    |
| P5 | CSI pixel clock high time   | tCLKh  | 3.75 | —    | ns    |

Table 35. CSI Gated Clock Mode Timing Parameters (continued)

| ID | Parameter                 | Symbol | Min. | Max.  | Units |
|----|---------------------------|--------|------|-------|-------|
| P6 | CSI pixel clock low time  | tCLKl  | 3.75 | —     | ns    |
| P7 | CSI pixel clock frequency | fCLK   | —    | 133.3 | MHz   |

#### 4.10.2.2 Ungated Clock Mode Timing

Figure 15 shows the ungated clock mode timings of CSI, and Table 36 describes the timing parameters (P1–P6) that are shown in the figure. In ungated mode the CSI\_VSYNC and CSI\_PIXCLK signals are used, and the CSI\_HSYNC signal is ignored.

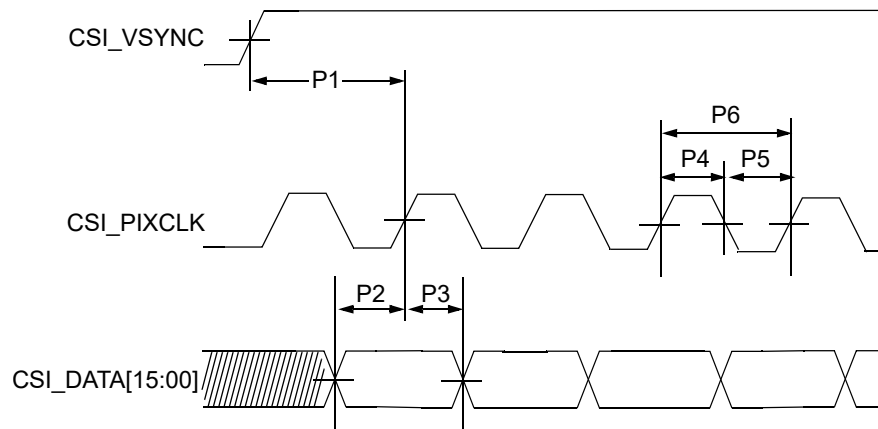


Figure 15. CSI Ungated Clock Mode—Sensor Data at Falling Edge, Latch Data at Rising Edge

Table 36. CSI Ungated Clock Mode Timing Parameters

| ID | Parameter                     | Symbol | Min. | Max.  | Units |
|----|-------------------------------|--------|------|-------|-------|
| P1 | CSI_VSYNC to pixel clock time | tVSYNC | 33.5 | —     | ns    |
| P2 | CSI DATA setup time           | tDsu   | 1    | —     | ns    |
| P3 | CSI DATA hold time            | tDh    | 1    | —     | ns    |
| P4 | CSI pixel clock high time     | tCLKh  | 3.75 | —     | ns    |
| P5 | CSI pixel clock low time      | tCLKl  | 3.75 | —     | ns    |
| P6 | CSI pixel clock frequency     | fCLK   | —    | 133.3 | MHz   |

The CSI enables the chip to connect directly to external CMOS image sensors, which are classified as dumb or smart as follows:

- Dumb sensors only support traditional sensor timing (vertical sync (VSYNC) and horizontal sync (HSYNC)) and output-only Bayer and statistics data.
- Smart sensors support CCIR656 video decoder formats and perform additional processing of the image (for example, image compression, image pre-filtering, and various data output formats).

### 4.10.3 ECSPi Timing Parameters

This section describes the timing parameters of the ECSPi block. The ECSPi has separate timing parameters for master and slave modes.

#### 4.10.3.1 ECSPi Master Mode Timing

Figure 16 depicts the timing of ECSPi in master mode and Table 37 lists the ECSPi master mode timing characteristics.

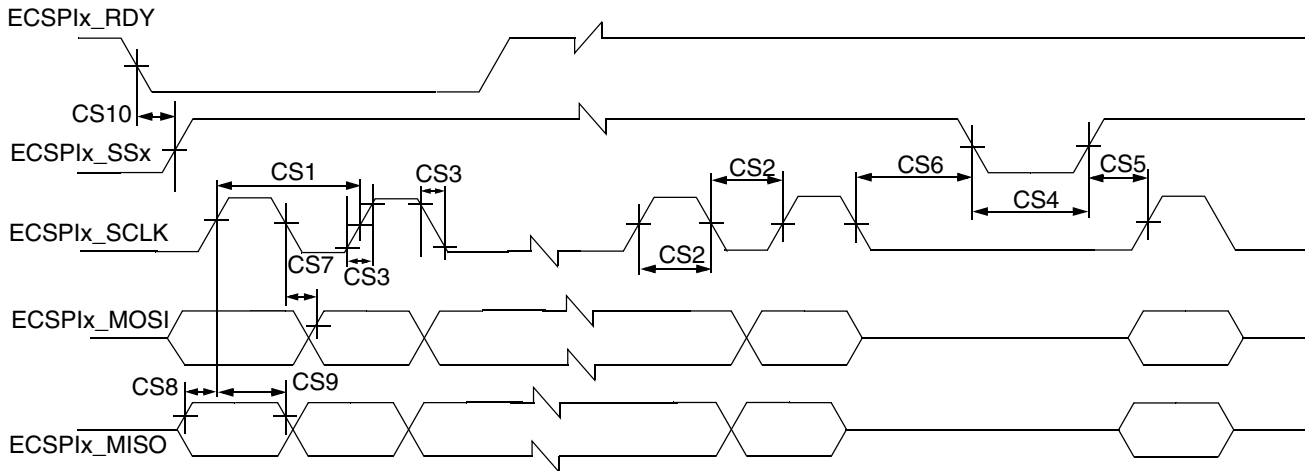


Figure 16. ECSPi Master Mode Timing Diagram

Table 37. ECSPi Master Mode Timing Parameters

| ID  | Parameter   | Symbol          | Min                        | Max | Unit |
|-----|---|-----------------|----------------------------|-----|------|
| CS1 | ECSPi_SCLK Cycle Time–Read<br>• Slow group <sup>1</sup><br>• Fast group <sup>2</sup><br>ECSPi_SCLK Cycle Time–Write             | $t_{clk}$       | 46                         | —   | ns   |
|     |   |                 | 40                         |     |      |
|     |   |                 | 15                         |     |      |
| CS2 | ECSPi_SCLK High or Low Time–Read<br>• Slow group <sup>1</sup><br>• Fast group <sup>2</sup><br>ECSPi_SCLK High or Low Time–Write | $t_{sw}$        | 22                         | —   | ns   |
|     |   |                 | 20                         |     |      |
|     |   |                 | 7                          |     |      |
| CS3 | ECSPi_SCLK Rise or Fall <sup>3</sup>  | $t_{RISE/FALL}$ | —                          | —   | ns   |
| CS4 | ECSPi_SSx pulse width   | $t_{CSLH}$      | Half ECSPi period          | —   | ns   |
| CS5 | ECSPi_SSx Lead Time (CS setup time)   | $t_{SCS}$       | Half ECSPi_SCLK period - 4 | —   | ns   |
| CS6 | ECSPi_SSx Lag Time (CS hold time)   | $t_{HCS}$       | Half ECSPi_SCLK period - 2 | —   | ns   |
| CS7 | ECSPi_MOSI Propagation Delay ( $C_{LOAD} = 20$ pF)  | $t_{PDmosi}$    | -0.5                       | 2   | ns   |
| CS8 | ECSPi_MISO Setup Time<br>• Slow group <sup>1</sup><br>• Fast group <sup>2</sup>   | $t_{Smiso}$     | —                          | —   | ns   |
|     |   |                 | 14                         |     |      |
|     |   |                 | 12                         |     |      |

**Table 37. ECSPi Master Mode Timing Parameters (continued)**

| ID   | Parameter  | Symbol      | Min | Max | Unit |
|------|--|-------------|-----|-----|------|
| CS9  | ECSPi <sub>x</sub> _MISO Hold Time   | $t_{Hmiso}$ | 0   | —   | ns   |
| CS10 | ECSPi <sub>x</sub> _RDY to ECSPi <sub>x</sub> _SS <sub>x</sub> Time <sup>4</sup> | $t_{SDRY}$  | 5   | —   | ns   |

<sup>1</sup> ECSPi slow group includes:

ECSPi2/EPDC\_SDLE, ECSPi3/EPDC\_D9, ECSPi4/EPDC\_D1

<sup>2</sup> ECSPi fast group includes:

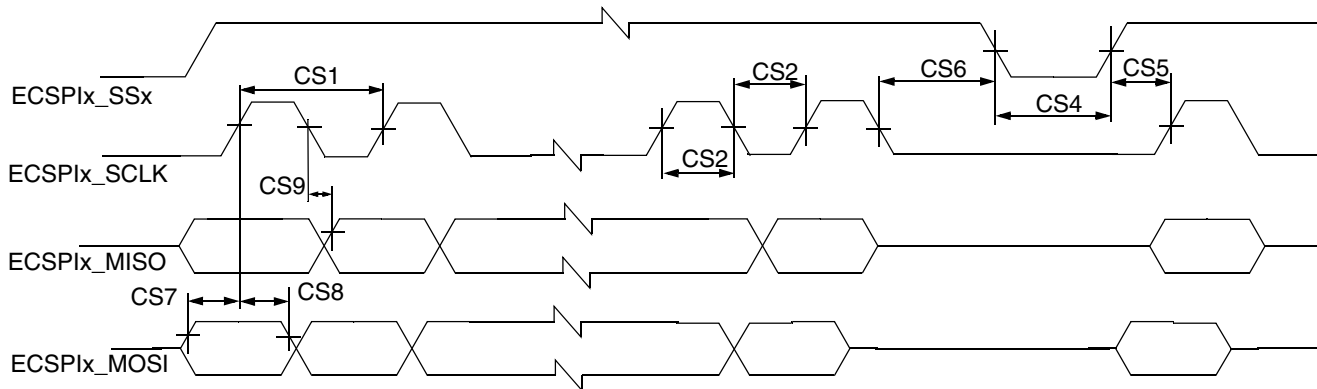
ECSPi1/LCD\_DATA01, ECSPi1/ECSPi1\_MISO, ECSPi2/LCD\_DATA10, ECSPi2/ECSPi2\_MISO, ECSPi3/AUD<sub>x</sub>\_TXC, ECSPi3/SD2\_DAT1, ECSPi4/KEY\_ROW1, ECSPi4

<sup>3</sup> See specific I/O AC parameters [Section 4.7, I/O AC Parameters.](#)

<sup>4</sup> ECSPi<sub>x</sub>\_RDY is sampled internally by ipg\_clk and is asynchronous to all other eCSPi signals.

### 4.10.3.2 ECSPi Slave Mode Timing

Figure 17 depicts the timing of ECSPi in slave mode and Table 38 lists the ECSPi slave mode timing characteristics.



**Figure 17. ECSPi Slave Mode Timing Diagram**

**Table 38. ECSPi Slave Mode Timing Parameters**

| ID  | Parameter   | Symbol       | Min              | Max | Unit |
|-----|---|--------------|------------------|-----|------|
| CS1 | ECSPi <sub>x</sub> _SCLK Cycle Time–Read<br>ECSPi <sub>x</sub> _SCLK Cycle Time–Write             | $t_{clk}$    | 40<br>15         | —   | ns   |
| CS2 | ECSPi <sub>x</sub> _SCLK High or Low Time–Read<br>ECSPi <sub>x</sub> _SCLK High or Low Time–Write | $t_{sw}$     | 20<br>7          | —   | ns   |
| CS4 | ECSPi <sub>x</sub> _SS <sub>x</sub> pulse width   | $t_{CSLH}$   | Half SCLK period | —   | ns   |
| CS5 | ECSPi <sub>x</sub> _SS <sub>x</sub> Lead Time (CS setup time)                                     | $t_{SCS}$    | 5                | —   | ns   |
| CS6 | ECSPi <sub>x</sub> _SS <sub>x</sub> Lag Time (CS hold time)                                       | $t_{HCS}$    | 5                | —   | ns   |
| CS7 | ECSPi <sub>x</sub> _MOSI Setup Time   | $t_{Smosi}$  | 4                | —   | ns   |
| CS8 | ECSPi <sub>x</sub> _MOSI Hold Time  | $t_{Hmosi}$  | 4                | —   | ns   |
| CS9 | ECSPi <sub>x</sub> _MISO Propagation Delay (C <sub>LOAD</sub> = 20 pF)                            | $t_{PDmiso}$ | 4                | 17  | ns   |

## 4.10.4 Ultra High Speed SD/SDIO/MMC Host Interface (uSDHC) AC Timing

This section describes the electrical information of the uSDHC, which includes SD/eMMC4.3 (Single Data Rate) timing and eMMC4.4/4.41/5.0 (Dual Data Rate) timing.

### 4.10.4.1 SD/eMMC4.3 (Single Data Rate) AC Timing

Figure 18 depicts the timing of SD/eMMC4.3, and Table 39 lists the SD/eMMC4.3 timing characteristics.

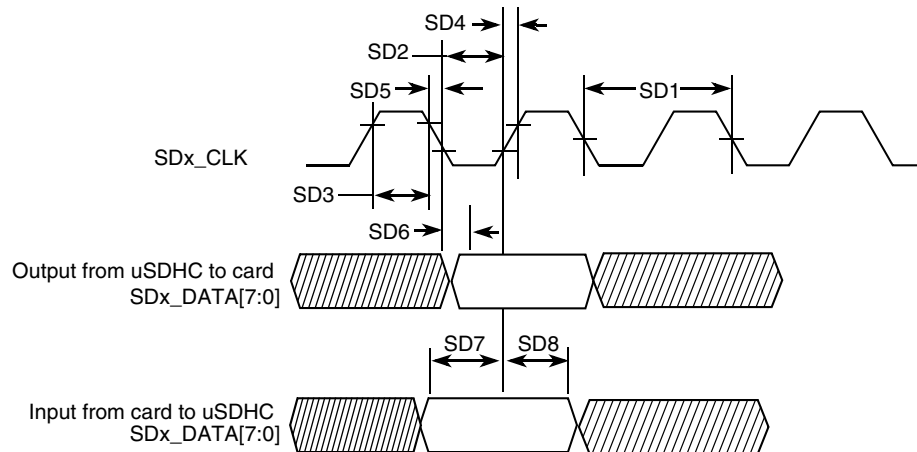


Figure 18. SD/eMMC4.3 Timing

Table 39. SD/eMMC4.3 Interface Timing Specification

| ID  | Parameter                                       | Symbols    | Min  | Max                | Unit |
|---|---|------------|------|--------------------|------|
| <b>Card Input Clock</b>   |   |            |      |                    |      |
| SD1   | Clock frequency (low speed)                     | $f_{PP}^1$ | 0    | 400                | kHz  |
|   | Clock frequency (sd/sdio full speed/high speed) | $f_{PP}^2$ | 0    | 25/50              | MHz  |
|   | Clock frequency (mmc full speed/high speed)     | $f_{PP}^3$ | 0    | 20/52 <sup>4</sup> | MHz  |
|   | Clock frequency (identification mode)           | $f_{OD}$   | 100  | 400                | kHz  |
| SD2   | Clock low time                                  | $t_{WL}$   | 7    | —                  | ns   |
| SD3   | Clock high time                                 | $t_{WH}$   | 7    | —                  | ns   |
| SD4   | Clock rise time                                 | $t_{TLH}$  | —    | 3                  | ns   |
| SD5   | Clock fall time                                 | $t_{THL}$  | —    | 3                  | ns   |
| <b>eSDHC Output/Card Inputs SDx_CMD, SDx_DATAx (Reference to CLK)</b> |   |            |      |                    |      |
| SD6   | eSDHC output delay                              | $t_{OD}$   | -6.6 | 3.6                | ns   |
| <b>eSDHC Input/Card Outputs SDx_CMD, SDx_DATAx (Reference to CLK)</b> |   |            |      |                    |      |

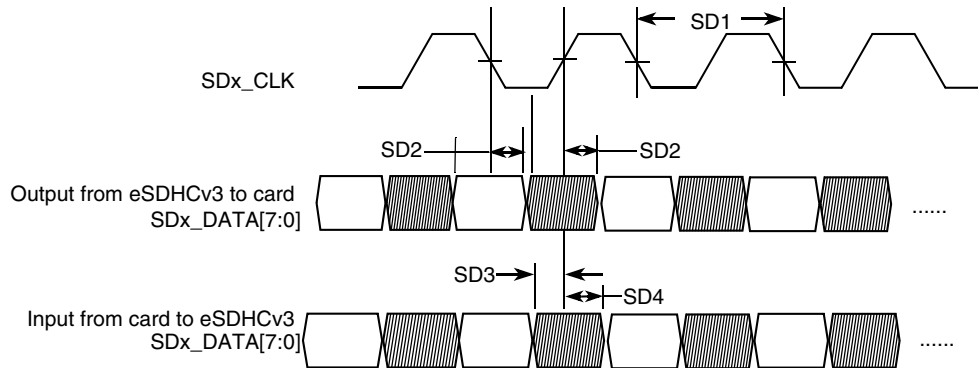
**Table 39. SD/eMMC4.3 Interface Timing Specification (continued)**

| ID  | Parameter                          | Symbols   | Min | Max | Unit |
|-----|------------------------------------|-----------|-----|-----|------|
| SD7 | eSDHC input setup time             | $t_{ISU}$ | 2.5 | —   | ns   |
| SD8 | eSDHC input hold time <sup>5</sup> | $t_{IH}$  | 1.5 | —   | ns   |

- <sup>1</sup> In low speed mode, card clock must be lower than 400 kHz, voltage ranges from 2.7 to 3.6 V.
- <sup>2</sup> In normal (full) speed mode for SD/SDIO card, clock frequency can be any value between 0–25 MHz. In high-speed mode, clock frequency can be any value between 0–50 MHz.
- <sup>3</sup> In normal (full) speed mode for MMC card, clock frequency can be any value between 0–20 MHz. In high-speed mode, clock frequency can be any value between 0–52 MHz.
- <sup>4</sup> uSDHC3 dat4 ~ dat7 have two pad groups. The first group use SD2 pad and run at 52 MHz for output. The second group use KEY pad and only run at 50 MHz for output.
- <sup>5</sup> To satisfy hold timing, the delay difference between clock input and cmd/data input must not exceed 2 ns.

**4.10.4.2 eMMC4.4/4.41 (Dual Data Rate) eSDHCv3 AC Timing**

Figure 19 depicts the timing of eMMC4.4/4.41. Table 40 lists the eMMC4.4/4.41 timing characteristics. Be aware that only SDx\_DATAx is sampled on both edges of the clock (not applicable to SDx\_CMD).



**Figure 19. eMMC4.4/4.41 Timing**

**Table 40. eMMC4.4/4.41 Interface Timing Specification**

| ID  | Parameter                          | Symbols   | Min | Max | Unit |
|---|------------------------------------|-----------|-----|-----|------|
| <b>Card Input Clock</b>   |                                    |           |     |     |      |
| SD1   | Clock frequency (eMMC4.4/4.41 DDR) | $f_{PP}$  | 0   | 52  | MHz  |
| SD1   | Clock frequency (SD3.0 DDR)        | $f_{PP}$  | 0   | 50  | MHz  |
| <b>uSDHC Output / Card Inputs SD_CMD, SD_DATAx (Reference to CLK)</b> |                                    |           |     |     |      |
| SD2   | uSDHC output delay                 | $t_{OD}$  | 2.8 | 6.8 | ns   |
| <b>uSDHC Input / Card Outputs SD_CMD, SD_DATAx (Reference to CLK)</b> |                                    |           |     |     |      |
| SD3   | uSDHC input setup time             | $t_{ISU}$ | 1.7 | —   | ns   |
| SD4   | uSDHC input hold time              | $t_{IH}$  | 1.5 | —   | ns   |

### 4.10.4.3 SDR50/SDR104 AC Timing

Figure 20 depicts the timing of SDR50/SDR104, and Table 39 lists the SDR50/SDR104 timing characteristics.

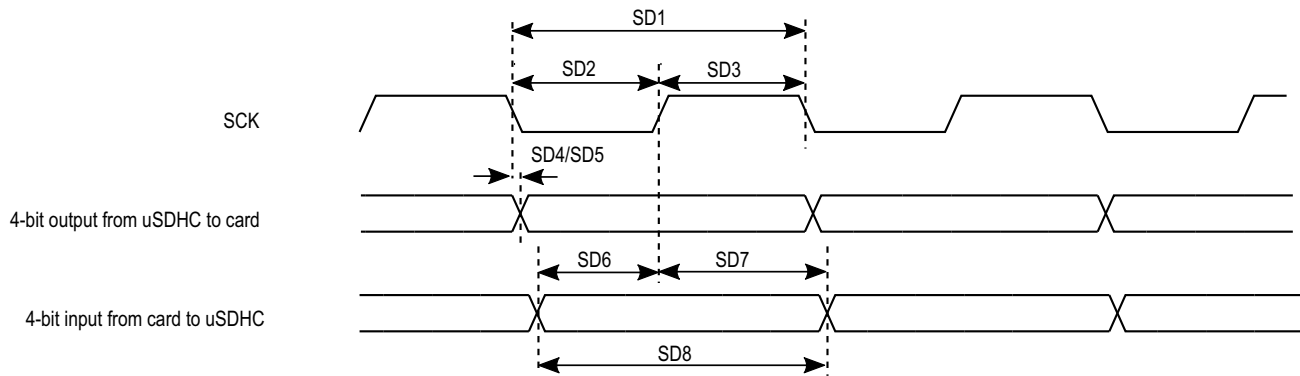


Figure 20. SDR50/SDR104 Timing

Table 41. SDR50/SDR104 Interface Timing Specification

| ID   | Parameter               | Symbols   | Min                   | Max                   | Unit |
|--|-------------------------|-----------|-----------------------|-----------------------|------|
| <b>Card Input Clock</b>  |                         |           |                       |                       |      |
| SD1  | Clock Frequency Period  | $t_{CLK}$ | 5.0                   | —                     | ns   |
| SD2  | Clock Low Time          | $t_{CL}$  | $0.46 \times t_{CLK}$ | $0.54 \times t_{CLK}$ | ns   |
| SD3  | Clock High Time         | $t_{CH}$  | $0.46 \times t_{CLK}$ | $0.54 \times t_{CLK}$ | ns   |
| <b>uSDHC Output/Card Inputs SD_CMD, SDx_DATAx in SDR50 (Reference to CLK)</b>              |                         |           |                       |                       |      |
| SD4  | uSDHC Output Delay      | $t_{OD}$  | -3                    | 1                     | ns   |
| <b>uSDHC Output/Card Inputs SD_CMD, SDx_DATAx in SDR104 (Reference to CLK)</b>             |                         |           |                       |                       |      |
| SD5  | uSDHC Output Delay      | $t_{OD}$  | -1.6                  | 0.74                  | ns   |
| <b>uSDHC Input/Card Outputs SD_CMD, SDx_DATAx in SDR50 (Reference to CLK)</b>              |                         |           |                       |                       |      |
| SD6  | uSDHC Input Setup Time  | $t_{ISU}$ | 2.5                   | —                     | ns   |
| SD7  | uSDHC Input Hold Time   | $t_{IH}$  | 1.5                   | —                     | ns   |
| <b>uSDHC Input/Card Outputs SD_CMD, SDx_DATAx in SDR104 (Reference to CLK)<sup>1</sup></b> |                         |           |                       |                       |      |
| SD8  | Card Output Data Window | $t_{ODW}$ | $0.5 \times t_{CLK}$  | —                     | ns   |

<sup>1</sup>Data window in SDR104 mode is variable.

### 4.10.4.4 HS200 Mode Timing

Figure 21 depicts the timing of HS200 mode, and Table 42 lists the HS200 timing characteristics.

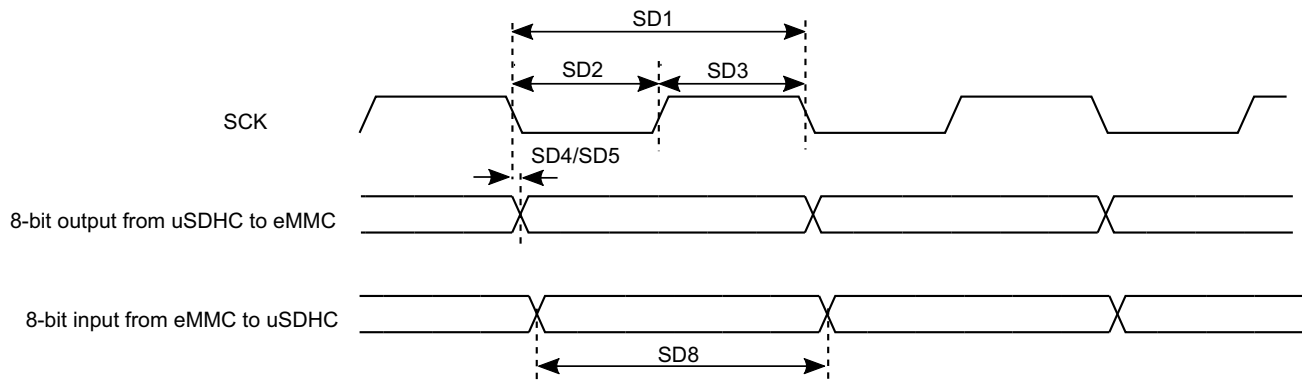


Figure 21. HS200 Mode Timing

Table 42. HS200 Interface Timing Specification

| ID  | Parameter                       | Symbols   | Min                   | Max                   | Unit |
|---|---------------------------------|-----------|-----------------------|-----------------------|------|
| <b>Card Input Clock</b>   |                                 |           |                       |                       |      |
| SD1   | Clock frequency period          | $t_{CLK}$ | 5.0                   | —                     | ns   |
| SD2   | Clock low time                  | $t_{CL}$  | $0.46 \times t_{CLK}$ | $0.54 \times t_{CLK}$ | ns   |
| SD3   | Clock high time                 | $t_{CH}$  | $0.46 \times t_{CLK}$ | $0.54 \times t_{CLK}$ | ns   |
| <b>uSDHC Output/Card Inputs SD_CMD, SDx_DATAx in HS200 (Reference to CLK)</b>             |                                 |           |                       |                       |      |
| SD5   | uSDHC output delay <sup>1</sup> | $t_{OD}$  | -1.6                  | 0.74                  | ns   |
| <b>uSDHC Input/Card Outputs SD_CMD, SDx_DATAx in HS200 (Reference to CLK)<sup>2</sup></b> |                                 |           |                       |                       |      |
| SD8   | Card output data window         | $t_{ODW}$ | $0.5 \times t_{CLK}$  | —                     | ns   |

<sup>1</sup> If using KEY\_COL1, KEY\_ROW1, KEY\_COL2 and KEY\_ROW2 for SD3\_DATA4–SD3\_DATA7, note the difference in timing:  $t_{od}$  minimum is -1.8 and  $t_{od}$  maximum is 0.5.

<sup>2</sup> HS200 is for 8 bits while SDR104 is for 4 bits.

### 4.10.4.5 HS400 DDR AC Timing—eMMC5.0 only

Figure 22 depicts the timing of HS400 mode, and Table 43 lists the HS400 timing characteristics. Be aware that only data is sampled on both edges of the clock (not applicable to CMD). The CMD input/output timing for HS400 mode is the same as CMD input/output timing for SDR104 mode. Check

SD5, SD6, and SD7 parameters in Table 41 SDR50/SDR104 Interface Timing Specification for CMD input/output timing for HS400 mode.

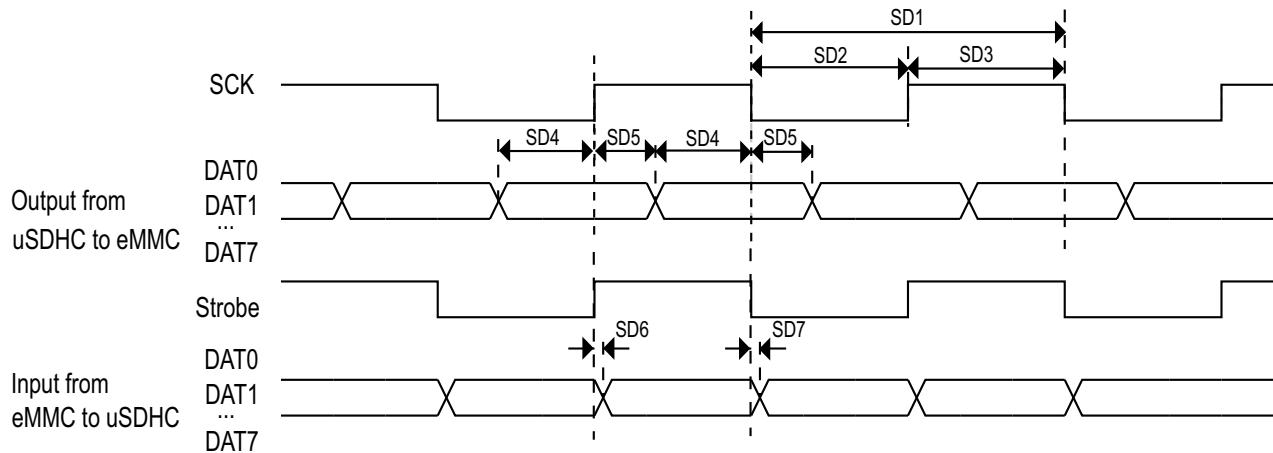


Figure 22. HS400 Mode Timing

Table 43. HS400 Interface Timing Specification<sup>1</sup>

| ID  | Parameter                            | Symbols      | Min                   | Max                   | Unit |
|---|--------------------------------------|--------------|-----------------------|-----------------------|------|
| <b>Card Input Clock</b>                                   |                                      |              |                       |                       |      |
| SD1   | Clock frequency                      | $f_{PP}$     | 0                     | 150                   | MHz  |
| SD2   | Clock low time                       | $t_{CL}$     | $0.46 \times t_{CLK}$ | $0.54 \times t_{CLK}$ | ns   |
| SD3   | Clock high time                      | $t_{CH}$     | $0.46 \times t_{CLK}$ | $0.54 \times t_{CLK}$ | ns   |
| <b>uSDHC Output/Card Inputs DAT (Reference to SCK)</b>    |                                      |              |                       |                       |      |
| SD4   | Output skew from data of edge of SCK | $t_{OSkew1}$ | 0.45                  |                       | ns   |
| SD5   | Output skew from edge of SCK to data | $t_{OSkew2}$ | 0.45                  |                       | ns   |
| <b>uSDHC Input/Card Outputs DAT (Reference to Strobe)</b> |                                      |              |                       |                       |      |
| SD6   | uSDHC input skew                     | $t_{RQ}$     |                       | 0.45                  | ns   |
| SD7   | uSDHC hold skew                      | $t_{RQH}$    |                       | 0.45                  | ns   |

<sup>1</sup> Do not support HS400 mode if using KEY pad for SD3\_DATA4 ~ SD3DATA7.

#### 4.10.5 I<sup>2</sup>C Bus Characteristics

The Inter-Integrated Circuit (I<sup>2</sup>C) provides functionality of a standard I<sup>2</sup>C slave and master. The I<sup>2</sup>C is designed to be compatible with the I<sup>2</sup>C Bus Specification, Version 2.1, by Philips Semiconductor.

### 4.10.6 Pulse Width Modulator (PWM) Timing Parameters

This section describes the electrical information of the PWM. The PWM can be programmed to select one of three clock signals as its source frequency. The selected clock signal is passed through a prescaler before being input to the counter. The output is available at the pulse-width modulator output (PWMn\_OUT) external pin (see external signals table in the *i.MX 6SLL Reference Manual* for PWM pin assignments).

Figure 23 depicts the timing of the PWM, and Table 44 lists the PWM timing parameters.

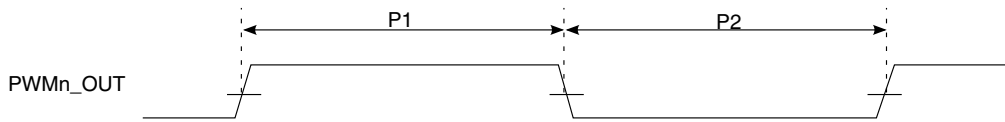


Figure 23. PWM Timing

Table 44. PWM Output Timing Parameters

| Reference Number | Parameter                   | Min    | Max | Unit |
|------------------|-----------------------------|--------|-----|------|
|                  | PWM Module Clock Frequency  | 0      | 66  | MHz  |
| P1               | PWM output pulse width high | 15     | —   | ns   |
| P2               | PWM output pulse width low  | 9.1591 | —   | ns   |

### 4.10.7 LCD Controller (LCDIF) Parameters

Figure 24 shows the LCDIF timing and Table 45 lists the timing parameters.

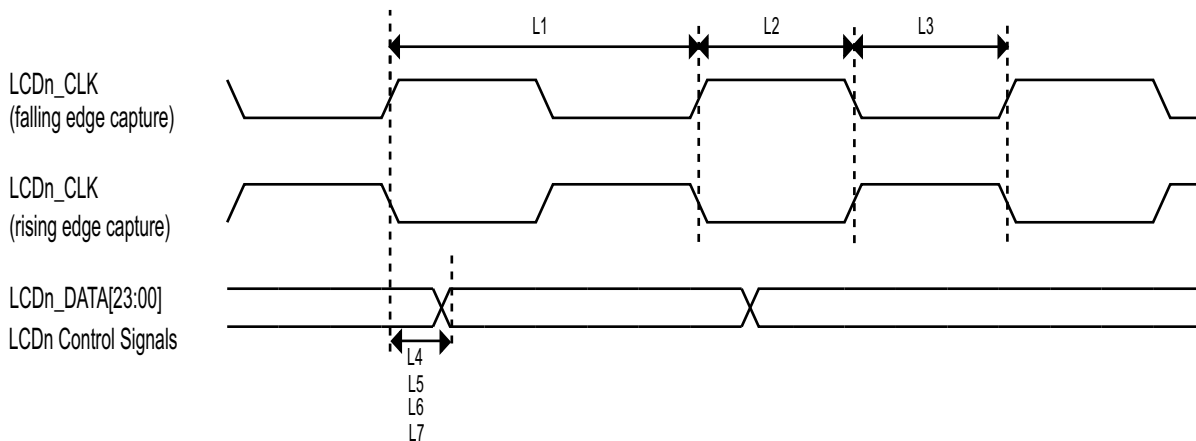


Figure 24. LCD Timing

Table 45. LCD Timing Parameters

| ID | Parameter   | Symbol         | Min | Max | Unit |
|----|---|----------------|-----|-----|------|
| L1 | LCD pixel clock frequency   | tCLK(LCD)      | —   | 150 | MHz  |
| L2 | LCD pixel clock high (falling edge capture)                         | tCLKH(LCD)     | 3   | —   | ns   |
| L3 | LCD pixel clock low (rising edge capture)                           | tCLKL(LCD)     | 3   | —   | ns   |
| L4 | LCD pixel clock high to data valid (falling edge capture)           | td(CLKH-DV)    | -1  | 1   | ns   |
| L5 | LCD pixel clock low to data valid (rising edge capture)             | td(CLKL-DV)    | -1  | 1   | ns   |
| L6 | LCD pixel clock high to control signal valid (falling edge capture) | td(CLKH-CTRLV) | -1  | 1   | ns   |
| L7 | LCD pixel clock low to control signal valid (rising edge capture)   | td(CLKL-CTRLV) | -1  | 1   | ns   |

#### 4.10.7.1 LCDIF signal mapping

Table 46 lists the details about the mapping signals.

Table 46. LCD Signal Parameters

| Pin name                      | 8-bit DOTCLK LCD IF | 16-bit DOTCLK LCD IF | 18-bit DOTCLK LCD IF | 24-bit DOTCLK LCD IF | 8-bit DVI LCD IF |
|-------------------------------|---------------------|----------------------|----------------------|----------------------|------------------|
| LCD_RS                        | —                   | —                    | —                    | —                    | CCIR_CLK         |
| LCD_VSYNC*<br>(Two options)   | LCD_VSYNC           | LCD_VSYNC            | LCD_VSYNC            | LCD_VSYNC            | —                |
| LCD_HSYNC                     | LCD_HSYNC           | LCD_HSYNC            | LCD_HSYNC            | LCD_HSYNC            | —                |
| LCD_DOTCLK                    | LCD_DOTCLK          | LCD_DOTCLK           | LCD_DOTCLK           | LCD_DOTCLK           | —                |
| LCD_ENABLE                    | LCD_ENABLE          | LCD_ENABLE           | LCD_ENABLE           | LCD_ENABLE           | —                |
| LCD_D23                       | —                   | —                    | —                    | R[7]                 | —                |
| LCD_D22                       | —                   | —                    | —                    | R[6]                 | —                |
| LCD_D21                       | —                   | —                    | —                    | R[5]                 | —                |
| LCD_D20                       | —                   | —                    | —                    | R[4]                 | —                |
| LCD_D19                       | —                   | —                    | —                    | R[3]                 | —                |
| LCD_D18                       | —                   | —                    | —                    | R[2]                 | —                |
| LCD_D17                       | —                   | —                    | R[5]                 | R[1]                 | —                |
| LCD_D16                       | —                   | —                    | R[4]                 | R[0]                 | —                |
| LCD_D15 /<br>VSYNC*           | —                   | R[4]                 | R[3]                 | G[7]                 | —                |
| LCD_D14 /<br>HSYNC**          | —                   | R[3]                 | R[2]                 | G[6]                 | —                |
| LCD_D13 /<br>LCD_DOTCLK<br>** | —                   | R[2]                 | R[1]                 | G[5]                 | —                |

Table 46. LCD Signal Parameters (continued)

|                      |                                  |                                  |                                  |                                  |        |
|----------------------|----------------------------------|----------------------------------|----------------------------------|----------------------------------|--------|
| LCD_D12 / ENABLE**   | —                                | R[1]                             | R[0]                             | G[4]                             | —      |
| LCD_D11              | —                                | R[0]                             | G[5]                             | G[3]                             | —      |
| LCD_D10              | —                                | G[5]                             | G[4]                             | G[2]                             | —      |
| LCD_D9               | —                                | G[4]                             | G[3]                             | G[1]                             | —      |
| LCD_D8               | —                                | G[3]                             | G[2]                             | G[0]                             | —      |
| LCD_D8               | —                                | G[3]                             | G[2]                             | G[0]                             | —      |
| LCD_D7               | R[2]                             | G[2]                             | G[1]                             | B[7]                             | Y/C[7] |
| LCD_D6               | R[1]                             | G[1]                             | G[0]                             | B[6]                             | Y/C[6] |
| LCD_D5               | R[0]                             | G[0]                             | B[5]                             | B[5]                             | Y/C[5] |
| LCD_D4               | G[2]                             | B[4]                             | B[4]                             | B[4]                             | Y/C[4] |
| LCD_D3               | G[1]                             | B[3]                             | B[3]                             | B[3]                             | Y/C[3] |
| LCD_D2               | G[0]                             | B[2]                             | B[2]                             | B[2]                             | Y/C[2] |
| LCD_D1               | B[1]                             | B[1]                             | B[1]                             | B[1]                             | Y/C[1] |
| LCD_D0               | B[0]                             | B[0]                             | B[0]                             | B[0]                             | Y/C[0] |
| LCD_RESET            | LCD_RESET                        | LCD_RESET                        | LCD_RESET                        | LCD_RESET                        | —      |
| LCD_BUSY / LCD_VSYNC | LCD_BUSY (or optional LCD_VSYNC) | LCD_BUSY (or optional LCD_VSYNC) | LCD_BUSY (or optional LCD_VSYNC) | LCD_BUSY (or optional LCD_VSYNC) | —      |

### 4.10.8 SCAN JTAG Controller (SJC) Timing Parameters

Figure 25 depicts the SJC test clock input timing. Figure 26 depicts the SJC boundary scan timing. Figure 27 depicts the SJC test access port. Signal parameters are listed in Table 47.

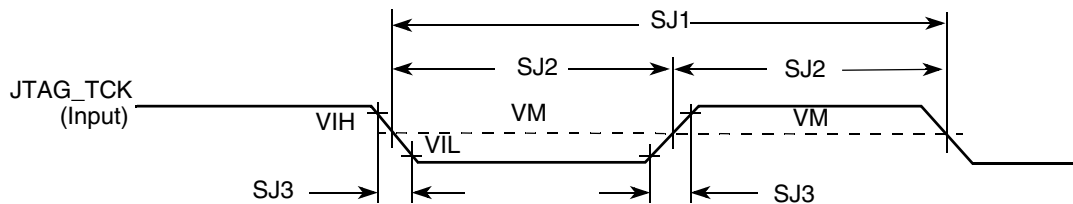


Figure 25. Test Clock Input Timing Diagram

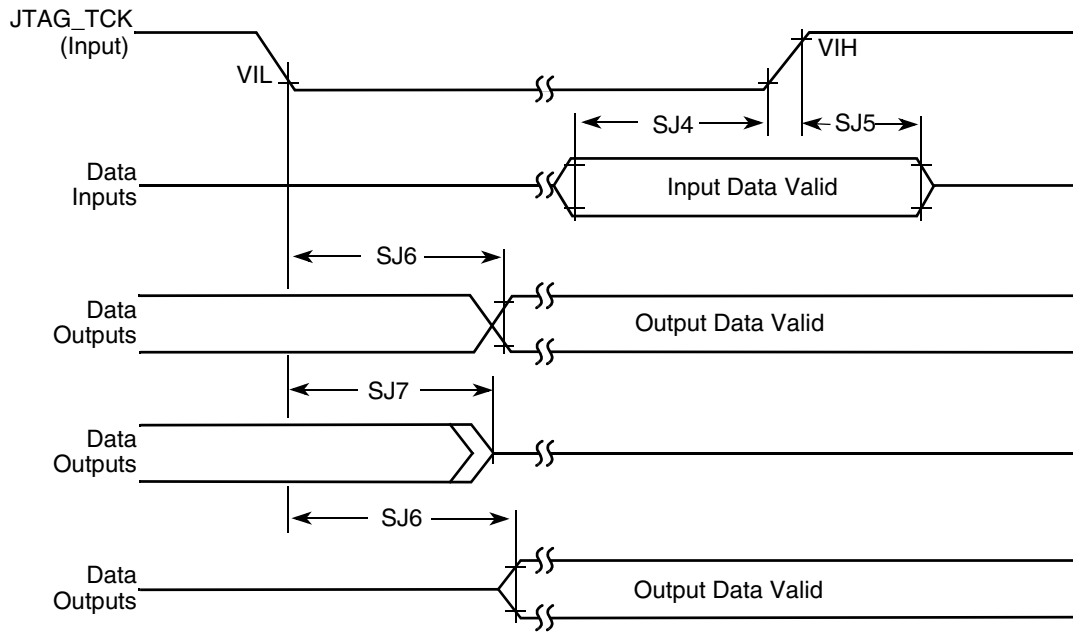


Figure 26. Boundary Scan (JTAG) Timing Diagram

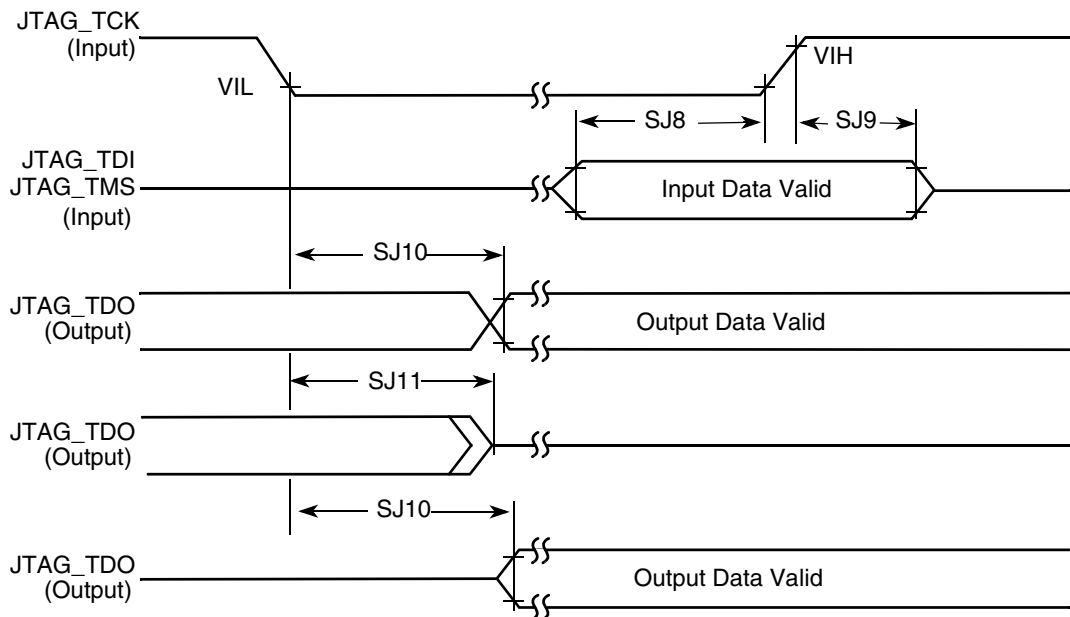


Figure 27. Test Access Port Timing Diagram

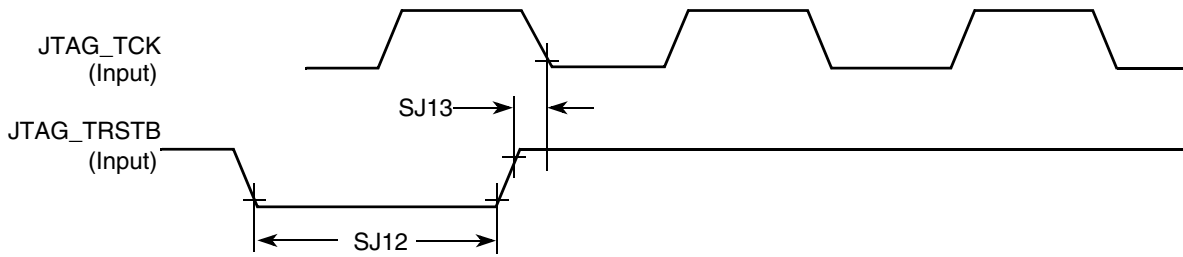


Figure 28. TRST Timing Diagram

Table 47. JTAG Timing

| ID   | Parameter <sup>1,2</sup>                               | All Frequencies |     | Unit |
|------|--|-----------------|-----|------|
|      |  | Min             | Max |      |
| SJ0  | JTAG_TCK frequency of operation $1/(3 \cdot T_{DC})^1$ | 0.001           | 22  | MHz  |
| SJ1  | JTAG_TCK cycle time in crystal mode                    | 45              | —   | ns   |
| SJ2  | JTAG_TCK clock pulse width measured at $V_M^2$         | 22.5            | —   | ns   |
| SJ3  | JTAG_TCK rise and fall times                           | —               | 3   | ns   |
| SJ4  | Boundary scan input data set-up time                   | 5               | —   | ns   |
| SJ5  | Boundary scan input data hold time                     | 24              | —   | ns   |
| SJ6  | JTAG_TCK low to output data valid                      | —               | 40  | ns   |
| SJ7  | JTAG_TCK low to output high impedance                  | —               | 40  | ns   |
| SJ8  | JTAG_TMS, JTAG_TDI data set-up time                    | 5               | —   | ns   |
| SJ9  | JTAG_TMS, JTAG_TDI data hold time                      | 25              | —   | ns   |
| SJ10 | JTAG_TCK low to JTAG_TDO data valid                    | —               | 44  | ns   |
| SJ11 | JTAG_TCK low to JTAG_TDO high impedance                | —               | 44  | ns   |
| SJ12 | JTAG_TRSTB assert time                                 | 100             | —   | ns   |
| SJ13 | JTAG_TRSTB set-up time to JTAG_TCK low                 | 40              | —   | ns   |

<sup>1</sup>  $T_{DC}$  = target frequency of SJC

<sup>2</sup>  $V_M$  = mid-point voltage

### 4.10.9 SPDIF Timing Parameters

The Sony/Philips Digital Interconnect Format (SPDIF) data is sent using the bi-phase marking code. When encoding, the SPDIF data signal is modulated by a clock that is twice the bit rate of the data signal.

Table 48 and Figure 29 and Figure 30 show SPDIF timing parameters for the Sony/Philips Digital Interconnect Format (SPDIF), including the timing of the modulating Rx clock (SPDIF\_SR\_CLK) for SPDIF in Rx mode and the timing of the modulating Tx clock (SPDIF\_ST\_CLK) for SPDIF in Tx mode.

Table 48. SPDIF Timing Parameters

| Characteristics                                    | Symbol  | Timing Parameter Range |      | Unit |
|--|---------|------------------------|------|------|
|  |         | Min                    | Max  |      |
| SPDIF_IN Skew: asynchronous inputs, no specs apply | —       | —                      | 0.7  | ns   |
| SPDIF_OUT output (Load = 50pf)                     |         |                        |      | ns   |
| • Skew   | —       | —                      | 1.5  |      |
| • Transition rising                                | —       | —                      | 24.2 |      |
| • Transition falling                               | —       | —                      | 31.3 |      |
| SPDIF_OUT output (Load = 30pf)                     |         |                        |      | ns   |
| • Skew   | —       | —                      | 1.5  |      |
| • Transition rising                                | —       | —                      | 13.6 |      |
| • Transition falling                               | —       | —                      | 18.0 |      |
| Modulating Rx clock (SPDIF_SR_CLK) period          | srckp   | 40.0                   | —    | ns   |
| SPDIF_SR_CLK high period                           | srckph  | 16.0                   | —    | ns   |
| SPDIF_SR_CLK low period                            | srckpl  | 16.0                   | —    | ns   |
| Modulating Tx clock (SPDIF_ST_CLK) period          | stclkp  | 40.0                   | —    | ns   |
| SPDIF_ST_CLK high period                           | stclkph | 16.0                   | —    | ns   |
| SPDIF_ST_CLK low period                            | stclkpl | 16.0                   | —    | ns   |

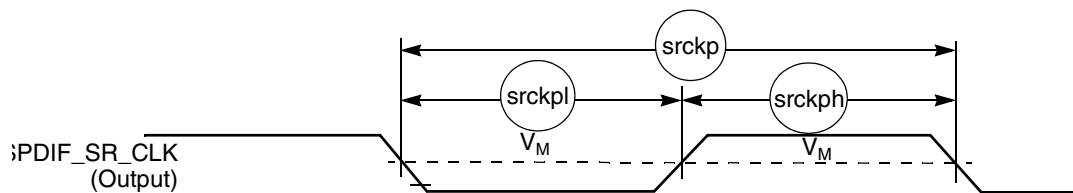


Figure 29. SRCK Timing Diagram

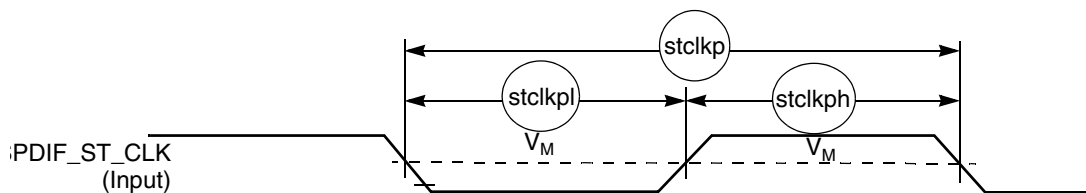


Figure 30. STCLK Timing Diagram

#### 4.10.10 SSI Timing Parameters

This section describes the timing parameters of the SSI module. The connectivity of the serial synchronous interfaces are summarized in [Table 49](#).

**Table 49. AUDMUX Port Allocation**

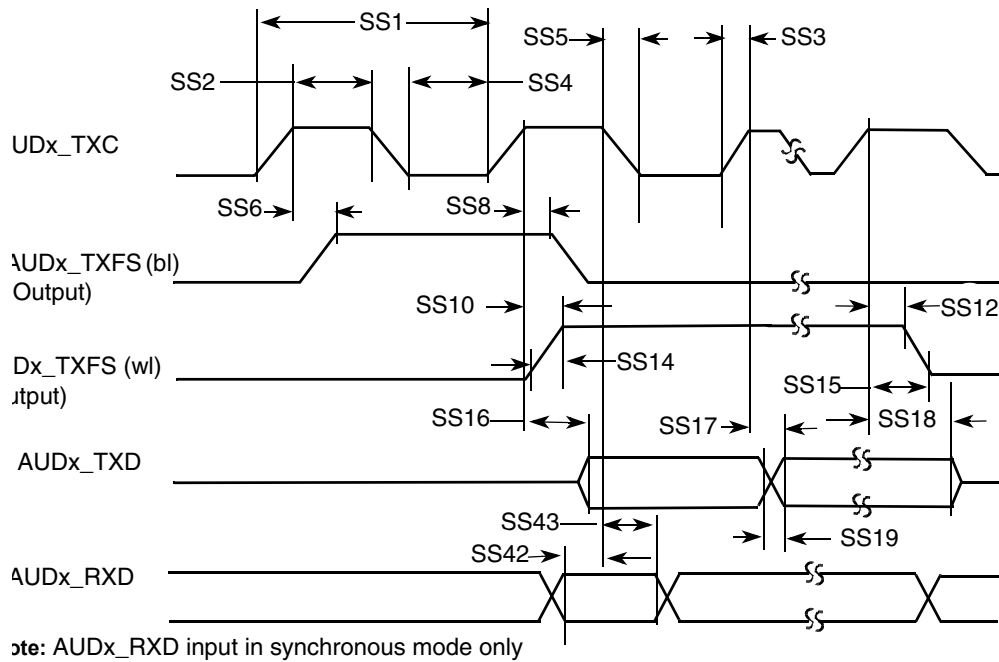
| Port          | Signal Nomenclature | Type and Access   |
|---------------|---------------------|---|
| AUDMUX port 1 | SSI 1               | Internal  |
| AUDMUX port 2 | SSI 2               | Internal  |
| AUDMUX port 3 | AUD3                | External – AUD3 I/O   |
| AUDMUX port 4 | AUD4                | External – I2C2 and LCD, or ECSP11, or SD2 I/O through IOMUXC |
| AUDMUX port 5 | AUD5                | External – EPDC or SD3 I/O through IOMUXC                     |
| AUDMUX port 6 | AUD6                | External – KEY_ROW and KEY_COL through IOMUXC                 |
| AUDMUX port 7 | SSI 3               | Internal  |

**NOTE**

The terms WL and BL used in the timing diagrams and tables refer to Word Length (WL) and Bit Length (BL).

**4.10.10.1 SSI Transmitter Timing with Internal Clock**

Figure 31 depicts the SSI transmitter internal clock timing and Table 50 lists the timing parameters for the SSI transmitter internal clock.



**Figure 31. SSI Transmitter Internal Clock Timing Diagram**

Table 50. SSI Transmitter Timing with Internal Clock

| ID  | Parameter   | Min  | Max  | Unit |
|---|---|------|------|------|
| <b>Internal Clock Operation</b>             |   |      |      |      |
| SS1   | AUDx_TXC/AUDx_RXC clock period                      | 81.4 | —    | ns   |
| SS2   | AUDx_TXC/AUDx_RXC clock high period                 | 36.0 | —    | ns   |
| SS4   | AUDx_TXC/AUDx_RXC clock low period                  | 36.0 | —    | ns   |
| SS6   | AUDx_TXC high to AUDx_TXFS (bl) high                | —    | 15.0 | ns   |
| SS8   | AUDx_TXC high to AUDx_TXFS (bl) low                 | —    | 15.0 | ns   |
| SS10  | AUDx_TXC high to AUDx_TXFS (wl) high                | —    | 15.0 | ns   |
| SS12  | AUDx_TXC high to AUDx_TXFS (wl) low                 | —    | 15.0 | ns   |
| SS14  | AUDx_TXC/AUDx_RXC Internal AUDx_TXFS rise time      | —    | 6.0  | ns   |
| SS15  | AUDx_TXC/AUDx_RXC Internal AUDx_TXFS fall time      | —    | 6.0  | ns   |
| SS16  | AUDx_TXC high to AUDx_TXD valid from high impedance | —    | 15.0 | ns   |
| SS17  | AUDx_TXC high to AUDx_TXD high/low                  | —    | 15.0 | ns   |
| SS18  | AUDx_TXC high to AUDx_TXD high impedance            | —    | 15.0 | ns   |
| <b>Synchronous Internal Clock Operation</b> |   |      |      |      |
| SS42  | AUDx_RXD setup before AUDx_TXC falling              | 10.0 | —    | ns   |
| SS43  | AUDx_RXD hold after AUDx_TXC falling                | 0.0  | —    | ns   |

**NOTE**

- All the timings for the SSI are given for a non-inverted serial clock polarity (TXC/RXC = 0) and a non-inverted frame sync (TXFS/RXFS = 0). If the polarity of the clock and/or the frame sync have been inverted, all the timing remains valid by inverting the clock signal TXC/RXC and/or the frame sync TXFS/RXFS shown in the tables and in the figures.
- All timings are on Audiomux Pads when SSI is used for data transfer.
- The terms, WL and BL, refer to Word Length (WL) and Bit Length (BL).
- For internal Frame Sync operation using external clock, the FS timing is same as that of TXD (for example, during AC97 mode of operation).

### 4.10.10.2 SSI Receiver Timing with Internal Clock

Figure 32 depicts the SSI receiver internal clock timing and Table 51 lists the timing parameters for the receiver timing with the internal clock.

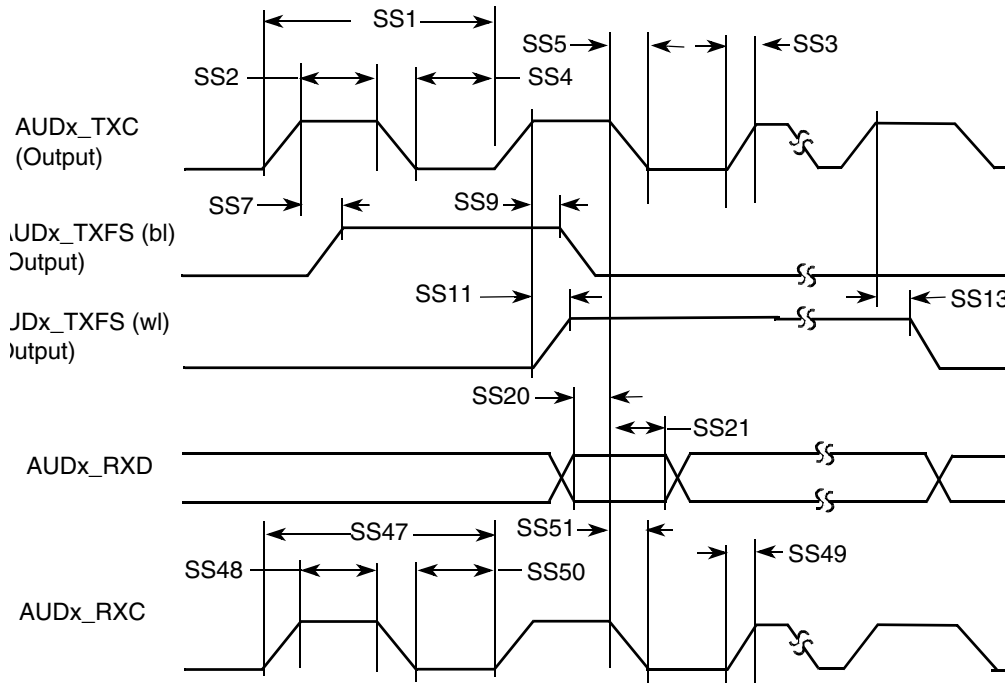


Figure 32. SSI Receiver Internal Clock Timing Diagram

Table 51. SSI Receiver Timing with Internal Clock

| ID                              | Parameter                               | Min  | Max  | Unit |
|---------------------------------|---|------|------|------|
| <b>Internal Clock Operation</b> |   |      |      |      |
| SS1                             | AUDx_TXC/AUDx_RXC clock period          | 81.4 | —    | ns   |
| SS2                             | AUDx_TXC/AUDx_RXC clock high period     | 36.0 | —    | ns   |
| SS3                             | AUDx_TXC/AUDx_RXC clock rise time       | —    | 6.0  | ns   |
| SS4                             | AUDx_TXC/AUDx_RXC clock low period      | 36.0 | —    | ns   |
| SS5                             | AUDx_TXC/AUDx_RXC clock fall time       | —    | 6.0  | ns   |
| SS7                             | AUDx_RXC high to AUDx_TXFS (bl) high    | —    | 15.0 | ns   |
| SS9                             | AUDx_RXC high to AUDx_TXFS (bl) low     | —    | 15.0 | ns   |
| SS11                            | AUDx_RXC high to AUDx_TXFS (wl) high    | —    | 15.0 | ns   |
| SS13                            | AUDx_RXC high to AUDx_TXFS (wl) low     | —    | 15.0 | ns   |
| SS20                            | AUDx_RXD setup time before AUDx_RXC low | 10.0 | —    | ns   |
| SS21                            | AUDx_RXD hold time after AUDx_RXC low   | 0.0  | —    | ns   |

**Table 51. SSI Receiver Timing with Internal Clock (continued)**

| ID                                  | Parameter                      | Min   | Max | Unit |
|-------------------------------------|--------------------------------|-------|-----|------|
| <b>Oversampling Clock Operation</b> |                                |       |     |      |
| SS47                                | Oversampling clock period      | 15.04 | —   | ns   |
| SS48                                | Oversampling clock high period | 6.0   | —   | ns   |
| SS49                                | Oversampling clock rise time   | —     | 3.0 | ns   |
| SS50                                | Oversampling clock low period  | 6.0   | —   | ns   |
| SS51                                | Oversampling clock fall time   | —     | 3.0 | ns   |

**NOTE**

- All the timings for the SSI are given for a non-inverted serial clock polarity (TXC/RXC = 0) and a non-inverted frame sync (TXFS/RXFS = 0). If the polarity of the clock and/or the frame sync have been inverted, all the timing remains valid by inverting the clock signal TXC/RXC and/or the frame sync TXFS/RXFS shown in the tables and in the figures.
- All timings are on Audiomux Pads when SSI is being used for data transfer.
- The terms, WL and BL, refer to Word Length(WL) and Bit Length(BL).
- For internal Frame Sync operation using external clock, the FS timing is same as that of TXD (for example, during AC97 mode of operation).

**4.10.10.3 SSI Transmitter Timing with External Clock**

[Figure 33](#) depicts the SSI transmitter external clock timing and [Table 52](#) lists the timing parameters for the transmitter timing with the external clock.

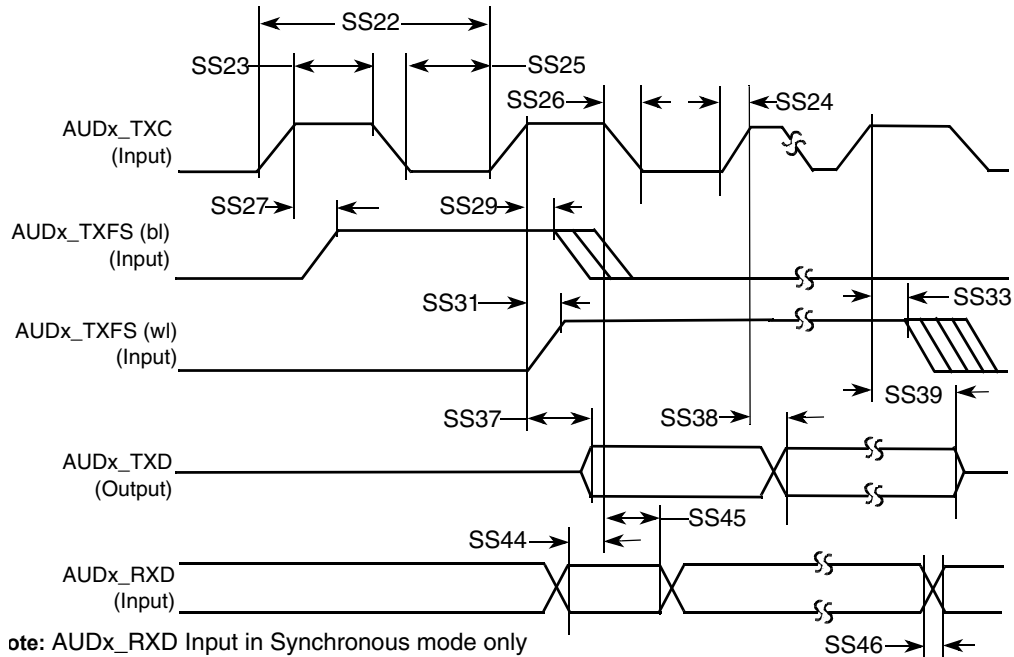


Figure 33. SSI Transmitter External Clock Timing Diagram

Table 52. SSI Transmitter Timing with External Clock

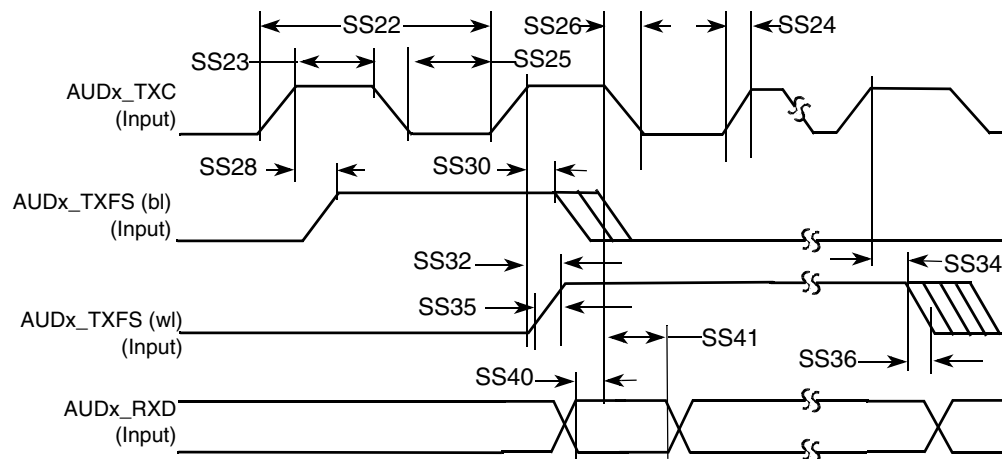
| ID  | Parameter   | Min   | Max  | Unit |
|---|---|-------|------|------|
| <b>External Clock Operation</b>             |   |       |      |      |
| SS22  | AUDx_TXC/AUDx_RXC clock period                      | 81.4  | —    | ns   |
| SS23  | AUDx_TXC/AUDx_RXC clock high period                 | 36.0  | —    | ns   |
| SS24  | AUDx_TXC/AUDx_RXC clock rise time                   | —     | 6.0  | ns   |
| SS25  | AUDx_TXC/AUDx_RXC clock low period                  | 36.0  | —    | ns   |
| SS26  | AUDx_TXC/AUDx_RXC clock fall time                   | —     | 6.0  | ns   |
| SS27  | AUDx_TXC high to AUDx_TXFS (bl) high                | -10.0 | 15.0 | ns   |
| SS29  | AUDx_TXC high to AUDx_TXFS (bl) low                 | 10.0  | —    | ns   |
| SS31  | AUDx_TXC high to AUDx_TXFS (wl) high                | -10.0 | 15.0 | ns   |
| SS33  | AUDx_TXC high to AUDx_TXFS (wl) low                 | 10.0  | —    | ns   |
| SS37  | AUDx_TXC high to AUDx_TXD valid from high impedance | —     | 15.0 | ns   |
| SS38  | AUDx_TXC high to AUDx_TXD high/low                  | —     | 15.0 | ns   |
| SS39  | AUDx_TXC high to AUDx_TXD high impedance            | —     | 15.0 | ns   |
| <b>Synchronous External Clock Operation</b> |   |       |      |      |
| SS44  | AUDx_RXD setup before AUDx_TXC falling              | 10.0  | —    | ns   |
| SS45  | AUDx_RXD hold after AUDx_TXC falling                | 2.0   | —    | ns   |
| SS46  | AUDx_RXD rise/fall time                             | —     | 6.0  | ns   |

**NOTE**

- All the timings for the SSI are given for a non-inverted serial clock polarity (TXC/RXC = 0) and a non-inverted frame sync (TXFS/RXFS = 0). If the polarity of the clock and/or the frame sync have been inverted, all the timing remains valid by inverting the clock signal TXC/RXC and/or the frame sync TXFS/RXFS shown in the tables and in the figures.
- All timings are on AUDMUX Pads when SSI is used for data transfer.
- The terms WL and BL refer to Word Length (WL) and Bit Length (BL).
- For internal Frame Sync operation using external clock, the FS timing is same as that of TXD (for example, during AC97 mode of operation).

**4.10.10.4 SSI Receiver Timing with External Clock**

Figure 34 depicts the SSI receiver external clock timing and Table 53 lists the timing parameters for the receiver timing with the external clock.



**Figure 34. SSI Receiver External Clock Timing Diagram**

**Table 53. SSI Receiver Timing with External Clock**

| ID                       | Parameter                            | Min  | Max  | Unit |
|--------------------------|--------------------------------------|------|------|------|
| External Clock Operation |                                      |      |      |      |
| SS22                     | AUDx_TXC/AUDx_RXC clock period       | 81.4 | —    | ns   |
| SS23                     | AUDx_TXC/AUDx_RXC clock high period  | 36   | —    | ns   |
| SS24                     | AUDx_TXC/AUDx_RXC clock rise time    | —    | 6.0  | ns   |
| SS25                     | AUDx_TXC/AUDx_RXC clock low period   | 36   | —    | ns   |
| SS26                     | AUDx_TXC/AUDx_RXC clock fall time    | —    | 6.0  | ns   |
| SS28                     | AUDx_RXC high to AUDx_TXFS (bl) high | -10  | 15.0 | ns   |
| SS30                     | AUDx_RXC high to AUDx_TXFS (bl) low  | 10   | —    | ns   |

Table 53. SSI Receiver Timing with External Clock (continued)

| ID   | Parameter                                      | Min | Max  | Unit |
|------|--|-----|------|------|
| SS32 | AUDx_RXC high to AUDx_TXFS (wl) high           | -10 | 15.0 | ns   |
| SS34 | AUDx_RXC high to AUDx_TXFS (wl) low            | 10  | —    | ns   |
| SS35 | AUDx_TXC/AUDx_RXC External AUDx_TXFS rise time | —   | 6.0  | ns   |
| SS36 | AUDx_TXC/AUDx_RXC External AUDx_TXFS fall time | —   | 6.0  | ns   |
| SS40 | AUDx_RXD setup time before AUDx_RXC low        | 10  | —    | ns   |
| SS41 | AUDx_RXD hold time after AUDx_RXC low          | 2   | —    | ns   |

**NOTE**

- All the timings for the SSI are given for a non-inverted serial clock polarity (TXC/RXC=0) and a non-inverted frame sync (TXFS/RXFS=0). If the polarity of the clock and/or the frame sync have been inverted, all the timing remains valid by inverting the clock signal TXC/RXC and/or the frame sync TXFS/RXFS shown in the tables and in the figures.
- All timings are on AUDMUX Pads when SSI is being used for data transfer.
- The terms, WL and BL, refer to Word Length(WL) and Bit Length(BL).
- For internal Frame Sync operation using external clock, the FS timing is same as that of TXD (for example, during AC97 mode of operation).

## 4.10.11 UART I/O Configuration and Timing Parameters

### 4.10.11.1 UART RS-232 I/O Configuration in Different Modes

The i.MX 6SLL UART interfaces can serve both as DTE or DCE device. This can be configured by the DCEDTE control bit (default 0 – DCE mode). [Table 54](#) shows the UART I/O configuration based on the enabled mode.

Table 54. UART I/O Configuration vs. Mode

| Port       | DTE Mode  |                      | DCE Mode  |                      |
|------------|-----------|----------------------|-----------|----------------------|
|            | Direction | Description          | Direction | Description          |
| UART_RTS_B | Output    | RTS from DTE to DCE  | Input     | RTS from DTE to DCE  |
| UART_CTS_B | Input     | CTS from DCE to DTE  | Output    | CTS from DCE to DTE  |
| UART_DTR_B | Output    | DTR from DTE to DCE  | Input     | DTR from DTE to DCE  |
| UART_DSR_B | Input     | DSR from DCE to DTE  | Output    | DSR from DCE to DTE  |
| UART_DCD_B | Input     | DCD from DCE to DTE  | Output    | DCD from DCE to DTE  |
| UART_RI_B  | Input     | RING from DCE to DTE | Output    | RING from DCE to DTE |

Table 54. UART I/O Configuration vs. Mode (continued)

| Port         | DTE Mode  |                             | DCE Mode  |                             |
|--------------|-----------|-----------------------------|-----------|-----------------------------|
|              | Direction | Description                 | Direction | Description                 |
| UART_TX_DATA | Input     | Serial data from DCE to DTE | Output    | Serial data from DCE to DTE |
| UART_RX_DATA | Output    | Serial data from DTE to DCE | Input     | Serial data from DTE to DCE |

### 4.10.11.2 UART RS-232 Serial Mode Timing

The following sections describe the electrical information of the UART module in the RS-232 mode.

#### 4.10.11.2.1 UART Transmitter

Figure 35 depicts the transmit timing of UART in the RS-232 serial mode, with 8 data bit/1 stop bit format. Table 55 lists the UART RS-232 serial mode transmit timing characteristics.

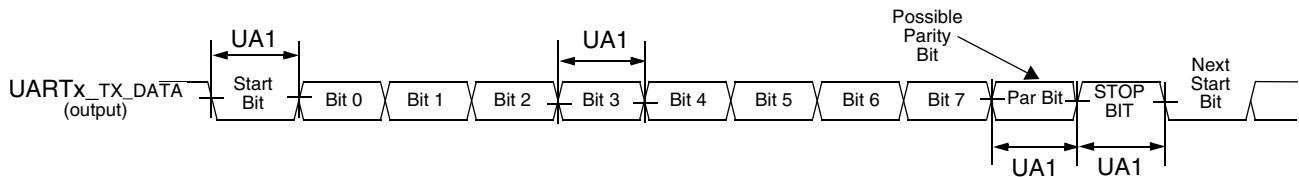


Figure 35. UART RS-232 Serial Mode Transmit Timing Diagram

Table 55. RS-232 Serial Mode Transmit Timing Parameters

| ID  | Parameter         | Symbol     | Min                                   | Max                               | Unit |
|-----|-------------------|------------|---------------------------------------|-----------------------------------|------|
| UA1 | Transmit Bit Time | $t_{Tbit}$ | $1/F_{baud\_rate}^1 - T_{ref\_clk}^2$ | $1/F_{baud\_rate} + T_{ref\_clk}$ | —    |

<sup>1</sup>  $F_{baud\_rate}$ : Baud rate frequency. The maximum baud rate the UART can support is  $(ipg\_perclk \text{ frequency})/16$ .

<sup>2</sup>  $T_{ref\_clk}$ : The period of UART reference clock  $ref\_clk$  ( $ipg\_perclk$  after RFDIV divider).

### UART Receiver

Figure 36 depicts the RS-232 serial mode receive timing with 8 data bit/1 stop bit format. Table 56 lists serial mode receive timing characteristics.

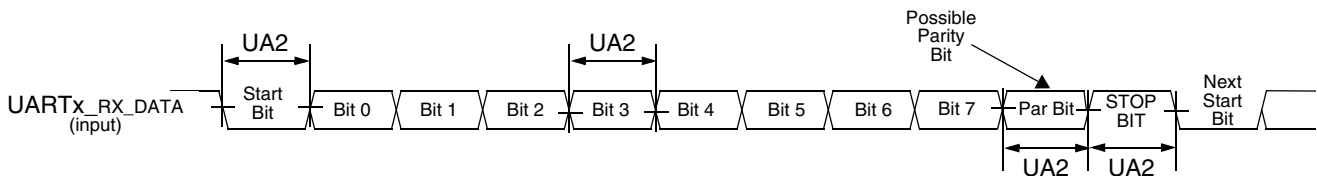


Figure 36. UART RS-232 Serial Mode Receive Timing Diagram

Table 56. RS-232 Serial Mode Receive Timing Parameters

| ID  | Parameter                     | Symbol     | Min   | Max   | Unit |
|-----|-------------------------------|------------|---|---|------|
| UA2 | Receive Bit Time <sup>1</sup> | $t_{Rbit}$ | $1/F_{baud\_rate}^2 - 1/(16 \times F_{baud\_rate})$ | $1/F_{baud\_rate} + 1/(16 \times F_{baud\_rate})$ | —    |

## Electrical Characteristics

- <sup>1</sup> The UART receiver can tolerate  $1/(16 \times F_{\text{baud\_rate}})$  tolerance in each bit. But accumulation tolerance in one frame must not exceed  $3/(16 \times F_{\text{baud\_rate}})$ .
- <sup>2</sup>  $F_{\text{baud\_rate}}$ : Baud rate frequency. The maximum baud rate the UART can support is  $(\text{ipg\_perclk frequency})/16$ .

### 4.10.11.2.2 UART IrDA Mode Timing

The following subsections give the UART transmit and receive timings in IrDA mode.

#### UART IrDA Mode Transmitter

Figure 37 depicts the UART IrDA mode transmit timing, with 8 data bit/1 stop bit format. Table 57 lists the transmit timing characteristics.

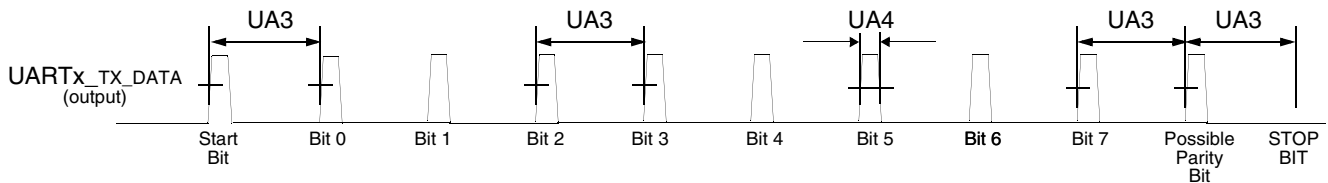


Figure 37. UART IrDA Mode Transmit Timing Diagram

Table 57. IrDA Mode Transmit Timing Parameters

| ID  | Parameter                      | Symbol                | Min   | Max   | Unit |
|-----|--------------------------------|-----------------------|---|---|------|
| UA3 | Transmit Bit Time in IrDA mode | $t_{\text{TIRbit}}$   | $1/F_{\text{baud\_rate}}^1 - T_{\text{ref\_clk}}^2$             | $1/F_{\text{baud\_rate}} + T_{\text{ref\_clk}}$                 | —    |
| UA4 | Transmit IR Pulse Duration     | $t_{\text{TIRpulse}}$ | $(3/16) \times (1/F_{\text{baud\_rate}}) - T_{\text{ref\_clk}}$ | $(3/16) \times (1/F_{\text{baud\_rate}}) + T_{\text{ref\_clk}}$ | —    |

<sup>1</sup>  $F_{\text{baud\_rate}}$ : Baud rate frequency. The maximum baud rate the UART can support is  $(\text{ipg\_perclk frequency})/16$ .

<sup>2</sup>  $T_{\text{ref\_clk}}$ : The period of UART reference clock  $\text{ref\_clk}$  ( $\text{ipg\_perclk}$  after RFDIV divider).

#### UART IrDA Mode Receiver

Figure 38 depicts the UART IrDA mode receive timing, with 8 data bit/1 stop bit format. Table 58 lists the receive timing characteristics.

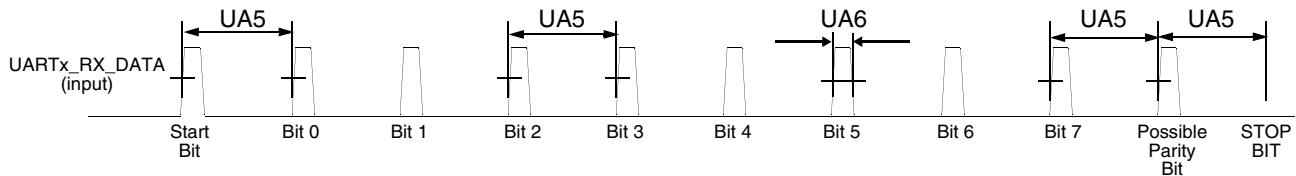


Figure 38. UART IrDA Mode Receive Timing Diagram

Table 58. IrDA Mode Receive Timing Parameters

| ID  | Parameter                                  | Symbol                | Min   | Max   | Unit |
|-----|--|-----------------------|---|---|------|
| UA5 | Receive Bit Time <sup>1</sup> in IrDA mode | $t_{\text{RIRbit}}$   | $1/F_{\text{baud\_rate}}^2 - 1/(16 \times F_{\text{baud\_rate}})$ | $1/F_{\text{baud\_rate}} + 1/(16 \times F_{\text{baud\_rate}})$ | —    |
| UA6 | Receive IR Pulse Duration                  | $t_{\text{RIRpulse}}$ | 1.41 $\mu\text{s}$  | $(5/16) \times (1/F_{\text{baud\_rate}})$                       | —    |

- <sup>1</sup> The UART receiver can tolerate  $1/(16 \times F_{\text{baud\_rate}})$  tolerance in each bit. But accumulation tolerance in one frame must not exceed  $3/(16 \times F_{\text{baud\_rate}})$ .
- <sup>2</sup>  $F_{\text{baud\_rate}}$ : Baud rate frequency. The maximum baud rate the UART can support is  $(ipg\_perclk \text{ frequency})/16$ .

#### 4.10.12 USB PHY Parameters

This section describes the USB-OTG PHY parameters.

The USB PHY meets the electrical compliance requirements defined in the Universal Serial Bus Revision 2.0 OTG.

## 5 Boot Mode Configuration

This section provides information on boot mode configuration pins allocation and boot devices interfaces allocation.

### 5.1 Boot Mode Configuration Pins

Table 59 provides boot options, functionality, fuse values, and associated pins. Several input pins are also sampled at reset and can be used to override fuse values, depending on the value of BT\_FUSE\_SEL fuse. The boot option pins are in effect when BT\_FUSE\_SEL fuse is '0' (cleared, which is the case for an unblown fuse). For detailed boot mode options configured by the boot mode pins, see the i.MX 6SLL Fuse Map document and the System Boot chapter of the *i.MX 6SLL Reference Manual*.

**Table 59. Fuses and Associated Pins Used for Boot**

| Ball Name                       | Direction at Reset | eFuse Name          |
|---------------------------------|--------------------|---------------------|
| <b>Boot Mode Selection</b>      |                    |                     |
| BOOT_MODE1                      | Input              | Boot Mode Selection |
| BOOT_MODE0                      | Input              | Boot Mode Selection |
| <b>Boot Options<sup>1</sup></b> |                    |                     |
| LCD_DAT0                        | Input              | BOOT_CFG1[0]        |
| LCD_DAT1                        | Input              | BOOT_CFG1[1]        |
| LCD_DAT2                        | Input              | BOOT_CFG1[2]        |
| LCD_DAT3                        | Input              | BOOT_CFG1[3]        |
| LCD_DAT4                        | Input              | BOOT_CFG1[4]        |
| LCD_DAT5                        | Input              | BOOT_CFG1[5]        |
| LCD_DAT6                        | Input              | BOOT_CFG1[6]        |
| LCD_DAT7                        | Input              | BOOT_CFG1[7]        |
| LCD_DAT8                        | Input              | BOOT_CFG2[0]        |
| LCD_DAT09                       | Input              | BOOT_CFG2[1]        |
| LCD_DAT10                       | Input              | BOOT_CFG2[2]        |
| LCD_DAT11                       | Input              | BOOT_CFG2[3]        |
| LCD_DAT12                       | Input              | BOOT_CFG2[4]        |
| LCD_DAT13                       | Input              | BOOT_CFG2[5]        |
| LCD_DAT14                       | Input              | BOOT_CFG2[6]        |
| LCD_DAT15                       | Input              | BOOT_CFG2[7]        |
| LCD_DAT16                       | Input              | BOOT_CFG4[0]        |
| LCD_DAT17                       | Input              | BOOT_CFG4[1]        |
| LCD_DAT18                       | Input              | BOOT_CFG4[2]        |

**Table 59. Fuses and Associated Pins Used for Boot (continued)**

| Ball Name | Direction at Reset | eFuse Name   |
|-----------|--------------------|--------------|
| LCD_DAT19 | Input              | BOOT_CFG4[3] |
| LCD_DAT20 | Input              | BOOT_CFG4[4] |
| LCD_DAT21 | Input              | BOOT_CFG4[5] |
| LCD_DAT22 | Input              | BOOT_CFG4[6] |
| LCD_DAT23 | Input              | BOOT_CFG4[7] |

<sup>1</sup> Pin value overrides fuse settings for BT\_FUSE\_SEL = '0'. Signal Configuration as Fuse Override Input at Power Up. These are special I/O lines that control the boot up configuration during product development. In production, the boot configuration can be controlled by fuses.

## 5.2 Boot Devices Interfaces Allocation

Table 60 lists the interfaces that can be used by the boot process in accordance with the specific boot mode configuration. The table also describes the interface’s specific modes and IOMUXC allocation, which are configured during boot when appropriate.

**Table 60. Interfaces Allocation During Boot**

| Interface | IP Instance  | Allocated Ball Names During Boot   | Comment                 |
|-----------|--------------|--|-------------------------|
| SPI       | ECSPI-1      | ECSPI1_MISO, ECSPI1_MOSI, ECSPI1_SCLK, ECSPI1_SS0, I2C1_SCL, I2C1_SDA, ECSPI2_SS0  | —                       |
| SPI       | ECSPI-2      | ECSPI2_MISO, ECSPI2_MOSI, ECSPI2_SCLK, ECSPI2_SS0, EPDC_SDCE0, EPDC_GDCLK, EPDC_GDOE   | —                       |
| SPI       | ECSPI-3      | EPDC_D9, EPDC_D8, EPDC_D11, EPDC_D10, EPDC_D12, EPDC_D13, EPDC_D14   | —                       |
| SPI       | ECSPI-4      | EPDC_D1, EPDC_D0, EPDC_D3, EPDC_D2, EPDC_D2, EPDC_D5, EPDC_D6  | —                       |
| SD/MMC    | USDHC-1      | SD1_CLK, SD1_CMD, SD1_DAT0, SD1_DAT1, SD1_DAT2, SD1_DAT3, SD1_DAT4, SD1_DAT5, SD1_DAT6, SD1_DAT7, GPIO3_IO30, GPIO4_IO7, ECSPI2_MOSI | 1, 4, or 8 bit Fastboot |
| SD/MMC    | USDHC-2      | SD2_CLK, SD2_CMD, SD2_DAT0, SD2_DAT1, SD2_DAT2, SD2_DAT3, SD2_DAT4, SD2_DAT5, SD2_DAT6, SD2_DAT7, SD2_RST, ECSPI1_MOSI               | 1, 4, or 8 bit Fastboot |
| SD/MMC    | USDHC-3      | SD3_CLK, SD3_CMD, SD3_DAT0, SD3_DAT1, SD3_DAT2, SD3_DAT3, GPIO3_IO26, GPIO3_IO27, GPIO3_IO28, GPIO3_IO29, GPIO4_IO4, GPIO4_IO5       | 1, 4, or 8 bit Fastboot |
| USB       | USB_OTG1_PHY | USB_OTG1_DP<br>USB_OTG1_DN<br>USB_OTG1_VBUS<br>USB_OTG1_CHD_B  | —                       |

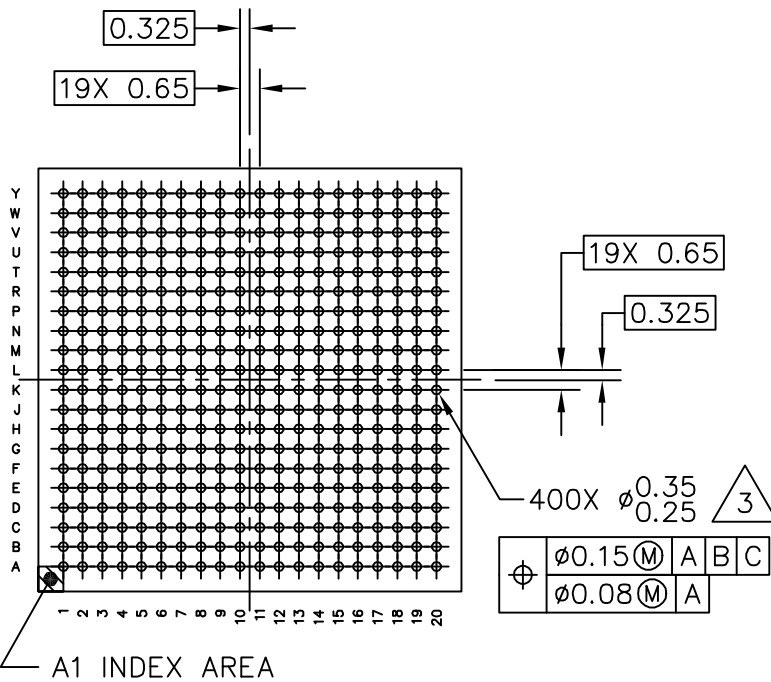
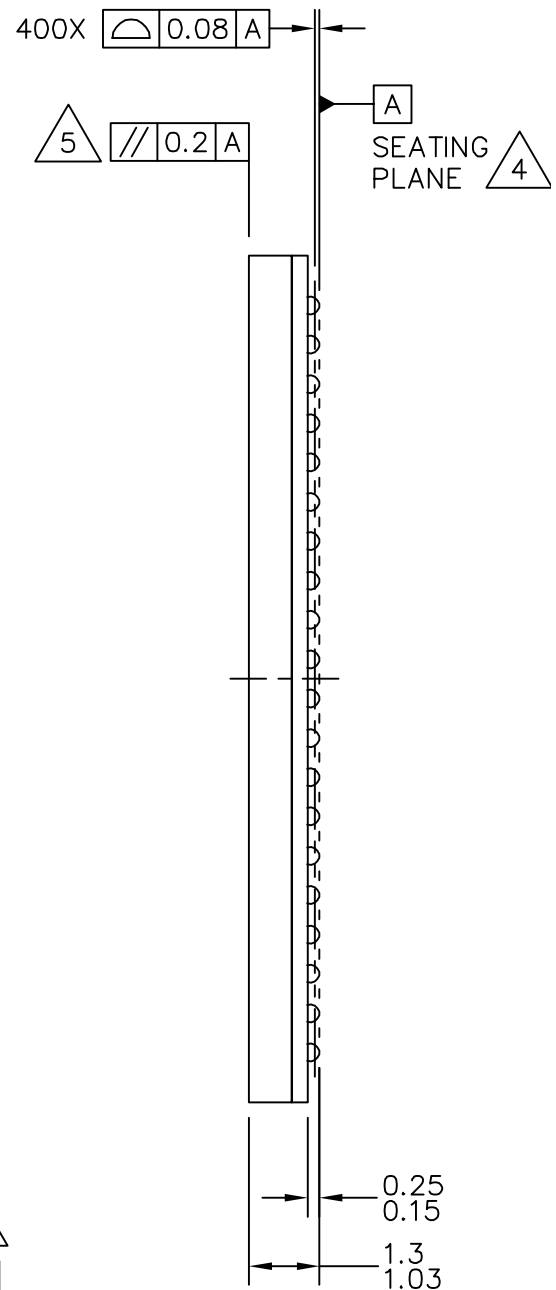
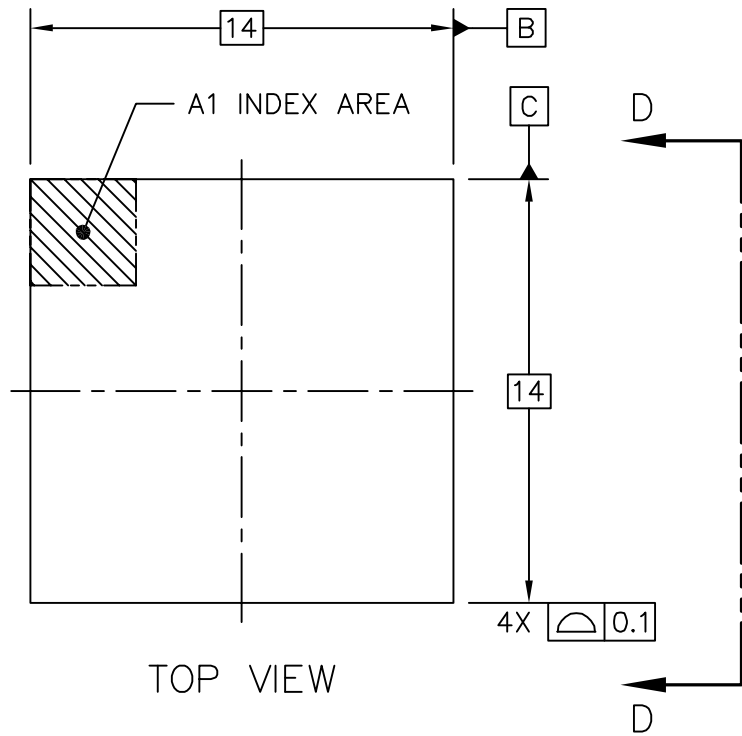
## 6 Package Information and Contact Assignments

This section includes the contact assignment information and mechanical package drawing.

### 6.1 14 x 14 mm Package Information

#### 6.1.1 14 x 14 mm, 0.65 mm Pitch, 24 x 24 Ball Matrix

[Figure 39](#) shows the top, bottom, and side views of the 14 × 14 mm BGA package.



BOTTOM VIEW

Figure 39. 14 x 14, 0.65 mm BGA Package Top, Bottom, and Side Views

Table 62 shows the 14 x 14 mm BGA package details.

**Table 62. 14 x 14, 0.65 mm BGA Package Details**

| Parameter                   | Symbol | Common Dimensions |        |         |
|-----------------------------|--------|-------------------|--------|---------|
|                             |        | Minimum           | Normal | Maximum |
| Total Thickness             | A      | 1.03              | —      | 1.30    |
| Stand Off                   | A1     | 0.15              | —      | 0.25    |
| Substrate Thickness         | A2     | 0.25              |        |         |
| Mold Thickness              | A3     | 0.7               |        |         |
| Body Size                   | D      | 14                |        |         |
|                             | E      | 14                |        |         |
| Ball Diameter               | —      | 0.3               |        |         |
| Ball Opening                | —      | 0.3               |        |         |
| Ball Width                  | b      | 0.25              | —      | 0.35    |
| Ball Pitch                  | e      | 0.65              |        |         |
| Ball Count                  | n      | 400               | —      | —       |
| Edge Ball Center to Center  | D1     | —                 |        |         |
|                             | E1     | —                 |        |         |
| Body Center to Contact Ball | SD     | 0.65              |        |         |
|                             | SE     | 0.65              |        |         |
| Package Edge Tolerance      | aaa    | 0.1               |        |         |
| Mold Flatness               | bbb    | 0.2               |        |         |
| Coplanarity                 | ddd    | 0.08              |        |         |
| Ball Offset (Package)       | eee    | 0.15              |        |         |
| Ball Offset (Ball)          | fff    | 0.08              |        |         |

### 6.1.2 14 x 14 mm Ground, Power, Sense, Not Connected and Reference Contact Assignments

Table 63 shows the device connection list for ground, power, sense, and reference contact signals.

Table 63. 14 x 14 mm Supplies Contact Assignment

| Supply Rail Name | Ball(s) Position(s)   | Remark  |
|------------------|---|---|
| DRAM_VREF        | K4  | —   |
| GND              | A1, A7, A13, A20, B3, D4, D17, E5, E6, E9, E12, E15, E16, F5, F16, G1, G7, G8, G9, G10, G11, G12, G13, G14, G20, H3, H5, H7, H14, J5, J7, J14, J16, K7, K9, K10, K11, K12, K14, L5, L7, L9, L10, L11, L12, L14, M5, M7, M14, N3, N7, N14, P1, P5, P7, P8, P9, P10, P11, P12, P13, P14, P16, P20, R5, R16, T4, T6, T7, T15, V3, V12, Y1, Y4, Y7, Y11, Y15, Y20 | —   |
| GPANAIO          | T16   | Analog output for NXP only. This output must always be left unconnected.  |
| NGND_KELO        | T14   | —   |
| NVCC_1V8         | E7, E8, E13, E14, G16, H16, M16, N16, R7, R8  | —   |
| NVCC_3V3         | F7, F8, F9, F10, F11, F12, F13, F14, F15, G15, H15, J15, K15, L15, M15, N15, P15, R9, R10, R11, R12, R13, R14, R15  | —   |
| NVCC_DRAM        | G5, G6, H6, J6, K5, L6, M6, N5, N6, P6  | Supply of the DDR interface   |
| NVCC_DRAM_2P5    | F6, K6, R6  | —   |
| NVCC_PLL         | V17   | —   |
| VDD_ARM_IN       | H11, H12, H13, J11, J12, J13, K13, L13  | Primary Supply for the Arm Core   |
| VDD_HIGH_CAP     | U16, V16  | Secondary Supply for the 2.5 V domain (internal regulator output—requires capacitor if internal regulator is used)                        |
| VDD_HIGH_IN      | W17, Y17  | Primary Supply for the 2.5 V Regulator  |
| VDD_SNVS_CAP     | U14   | Secondary Supply for the SNVS (internal regulator output—requires capacitor if internal regulator is used)                                |
| VDD_SNVS_IN      | V14   | Primary Supply for the SNVS Regulator   |
| VDD_SOC_IN       | H8, H9, H10, J8, J9, J10, K8, L8, M8, M9, M10, M11, M12, M13, N8, N9, N10, N11, N12, N13  | Primary Supply for the SoC  |
| VDD_USB_CAP      | T13   | Secondary Supply for the 3V Domain (USBPHY, MLPBPHY, eFuse), internal regulator output, requires capacitor if internal regulator is used. |
| ZQPAD            | G3  | —   |

Table 64 displays an alpha-sorted list of the signal assignments including power rails. The table also includes out of reset pad state.

Table 64. 14 x 14 mm Functional Contact Assignments

| Ball Name  | Ball | Power Group <sup>1</sup> | Ball Type | Out of Reset Condition <sup>2</sup> |                  |                |                    | During Reset Condition |
|------------|------|--------------------------|-----------|-------------------------------------|------------------|----------------|--------------------|------------------------|
|            |      |                          |           | Default Mode (Reset Mode)           | Default Function | Input / Output | Value <sup>3</sup> |                        |
| AUD_MCLK   | F17  | GPIO                     | GPIO      | ALT5                                | GPIO1_GPIO[6]    | Not connected  | Hi-Z               | Hi-Z                   |
| AUD_RXC    | H17  | GPIO                     | GPIO      | ALT5                                | GPIO1_GPIO[1]    | Not connected  | Hi-Z               | Hi-Z                   |
| AUD_RXD    | H18  | GPIO                     | GPIO      | ALT5                                | GPIO1_GPIO[2]    | Not connected  | Hi-Z               | Hi-Z                   |
| AUD_RXFS   | F18  | GPIO                     | GPIO      | ALT5                                | GPIO1_GPIO[0]    | Not connected  | Hi-Z               | Hi-Z                   |
| AUD_TXC    | G17  | GPIO                     | GPIO      | ALT5                                | GPIO1_GPIO[3]    | Not connected  | Hi-Z               | Hi-Z                   |
| AUD_TXD    | G18  | GPIO                     | GPIO      | ALT5                                | GPIO1_GPIO[5]    | Not connected  | Hi-Z               | Hi-Z                   |
| AUD_TXFS   | F19  | GPIO                     | GPIO      | ALT5                                | GPIO1_GPIO[4]    | Not connected  | Hi-Z               | Hi-Z                   |
| BOOT_MODE0 | W11  | RESET                    | GPIO      | ALT0                                | SRC.BOOT_MODE[0] | Input          | PD (100K)          | PD (100K)              |
| BOOT_MODE1 | T11  | RESET                    | GPIO      | ALT0                                | SRC.BOOT_MODE[1] | Input          | PD (100K)          | PD (100K)              |
| CLK1_N     | U15  | ANATOP                   | —         | —                                   | —                | —              | —                  | —                      |
| CLK1_P     | V15  | ANATOP                   | —         | —                                   | —                | —              | —                  | —                      |
| DRAM_A0    | P4   | DRAM                     | DDR       | ALT0                                | DRAM_A[0]        | Output         | 0                  | PU (100K)              |
| DRAM_A1    | N4   | DRAM                     | DDR       | ALT0                                | DRAM_A[1]        | Output         | 0                  | PU (100K)              |
| DRAM_A2    | M3   | DRAM                     | DDR       | ALT0                                | DRAM_A[2]        | Output         | 0                  | PU (100K)              |
| DRAM_A3    | M4   | DRAM                     | DDR       | ALT0                                | DRAM_A[3]        | Output         | 0                  | PU (100K)              |
| DRAM_A4    | L4   | DRAM                     | DDR       | ALT0                                | DRAM_A[4]        | Output         | 0                  | PU (100K)              |
| DRAM_A5    | L1   | DRAM                     | DDR       | ALT0                                | DRAM_A[5]        | Output         | 0                  | PU (100K)              |
| DRAM_A6    | L3   | DRAM                     | DDR       | ALT0                                | DRAM_A[6]        | Output         | 0                  | PU (100K)              |
| DRAM_A7    | F4   | DRAM                     | DDR       | ALT0                                | DRAM_A[7]        | Output         | 0                  | PU (100K)              |

Table 64. 14 x 14 mm Functional Contact Assignments (continued)

| Ball Name  | Ball | Power Group <sup>1</sup> | Ball Type | Out of Reset Condition <sup>2</sup> |                  |                |                    | During Reset Condition |
|------------|------|--------------------------|-----------|-------------------------------------|------------------|----------------|--------------------|------------------------|
|            |      |                          |           | Default Mode (Reset Mode)           | Default Function | Input / Output | Value <sup>3</sup> |                        |
| DRAM_A8    | H4   | DRAM                     | DDR       | ALT0                                | DRAM_A[8]        | Output         | 0                  | PU (100K)              |
| DRAM_A9    | G4   | DRAM                     | DDR       | ALT0                                | DRAM_A[9]        | Output         | 0                  | PU (100K)              |
| DRAM_CS0_B | L2   | DRAM                     | DDR       | ALT0                                | DRAM_CS0_B       | Output         | 0                  | PU (100K)              |
| DRAM_CS1_B | K2   | DRAM                     | DDR       | ALT0                                | DRAM_CS1_B       | Output         | 0                  | PU (100K)              |
| DRAM_D0    | T2   | DRAM                     | DDR       | ALT0                                | DRAM_D[0]        | Input          | PU (100K)          | PU (100K)              |
| DRAM_D1    | T1   | DRAM                     | DDR       | ALT0                                | DRAM_D[1]        | Input          | PU (100K)          | PU (100K)              |
| DRAM_D10   | K1   | DRAM                     | DDR       | ALT0                                | DRAM_D[10]       | Input          | PU (100K)          | PU (100K)              |
| DRAM_D11   | J1   | DRAM                     | DDR       | ALT0                                | DRAM_D[11]       | Input          | PU (100K)          | PU (100K)              |
| DRAM_D12   | H2   | DRAM                     | DDR       | ALT0                                | DRAM_D[12]       | Input          | PU (100K)          | PU (100K)              |
| DRAM_D13   | F2   | DRAM                     | DDR       | ALT0                                | DRAM_D[13]       | Input          | PU (100K)          | PU (100K)              |
| DRAM_D14   | F1   | DRAM                     | DDR       | ALT0                                | DRAM_D[14]       | Input          | PU (100K)          | PU (100K)              |
| DRAM_D15   | G2   | DRAM                     | DDR       | ALT0                                | DRAM_D[15]       | Input          | PU (100K)          | PU (100K)              |
| DRAM_D16   | W3   | DRAM                     | DDR       | ALT0                                | DRAM_D[16]       | Input          | PU (100K)          | PU (100K)              |
| DRAM_D17   | Y3   | DRAM                     | DDR       | ALT0                                | DRAM_D[17]       | Input          | PU (100K)          | PU (100K)              |
| DRAM_D18   | W2   | DRAM                     | DDR       | ALT0                                | DRAM_D[18]       | Input          | PU (100K)          | PU (100K)              |
| DRAM_D19   | Y2   | DRAM                     | DDR       | ALT0                                | DRAM_D[19]       | Input          | PU (100K)          | PU (100K)              |
| DRAM_D2    | R2   | DRAM                     | DDR       | ALT0                                | DRAM_D[2]        | Input          | PU (100K)          | PU (100K)              |
| DRAM_D20   | V2   | DRAM                     | DDR       | ALT0                                | DRAM_D[20]       | Input          | PU (100K)          | PU (100K)              |

**Table 64. 14 x 14 mm Functional Contact Assignments (continued)**

| Ball Name | Ball | Power Group <sup>1</sup> | Ball Type | Out of Reset Condition <sup>2</sup> |                  |                |                    | During Reset Condition |
|-----------|------|--------------------------|-----------|-------------------------------------|------------------|----------------|--------------------|------------------------|
|           |      |                          |           | Default Mode (Reset Mode)           | Default Function | Input / Output | Value <sup>3</sup> |                        |
| DRAM_D21  | W1   | DRAM                     | DDR       | ALT0                                | DRAM_D[21]       | Input          | PU (100K)          | PU (100K)              |
| DRAM_D22  | U1   | DRAM                     | DDR       | ALT0                                | DRAM_D[22]       | Input          | PU (100K)          | PU (100K)              |
| DRAM_D23  | V1   | DRAM                     | DDR       | ALT0                                | DRAM_D[23]       | Input          | PU (100K)          | PU (100K)              |
| DRAM_D24  | E2   | DRAM                     | DDR       | ALT0                                | DRAM_D[24]       | Input          | PU (100K)          | PU (100K)              |
| DRAM_D25  | E1   | DRAM                     | DDR       | ALT0                                | DRAM_D[25]       | Input          | PU (100K)          | PU (100K)              |
| DRAM_D26  | D1   | DRAM                     | DDR       | ALT0                                | DRAM_D[26]       | Input          | PU (100K)          | PU (100K)              |
| DRAM_D27  | C2   | DRAM                     | DDR       | ALT0                                | DRAM_D[27]       | Input          | PU (100K)          | PU (100K)              |
| DRAM_D28  | B1   | DRAM                     | DDR       | ALT0                                | DRAM_D[28]       | Input          | PU (100K)          | PU (100K)              |
| DRAM_D29  | C1   | DRAM                     | DDR       | ALT0                                | DRAM_D[29]       | Input          | PU (100K)          | PU (100K)              |
| DRAM_D3   | R1   | DRAM                     | DDR       | ALT0                                | DRAM_D[3]        | Input          | PU (100K)          | PU (100K)              |
| DRAM_D30  | B2   | DRAM                     | DDR       | ALT0                                | DRAM_D[30]       | Input          | PU (100K)          | PU (100K)              |
| DRAM_D31  | A2   | DRAM                     | DDR       | ALT0                                | DRAM_D[31]       | Input          | PU (100K)          | PU (100K)              |
| DRAM_D4   | P2   | DRAM                     | DDR       | ALT0                                | DRAM_D[4]        | Input          | PU (100K)          | PU (100K)              |
| DRAM_D5   | N2   | DRAM                     | DDR       | ALT0                                | DRAM_D[5]        | Input          | PU (100K)          | PU (100K)              |
| DRAM_D6   | M2   | DRAM                     | DDR       | ALT0                                | DRAM_D[6]        | Input          | PU (100K)          | PU (100K)              |
| DRAM_D7   | N1   | DRAM                     | DDR       | ALT0                                | DRAM_D[7]        | Input          | PU (100K)          | PU (100K)              |
| DRAM_D8   | J2   | DRAM                     | DDR       | ALT0                                | DRAM_D[8]        | Input          | PU (100K)          | PU (100K)              |
| DRAM_D9   | H1   | DRAM                     | DDR       | ALT0                                | DRAM_D[9]        | Input          | PU (100K)          | PU (100K)              |

Table 64. 14 x 14 mm Functional Contact Assignments (continued)

| Ball Name      | Ball | Power Group <sup>1</sup> | Ball Type | Out of Reset Condition <sup>2</sup> |                  |                |                    | During Reset Condition |
|----------------|------|--------------------------|-----------|-------------------------------------|------------------|----------------|--------------------|------------------------|
|                |      |                          |           | Default Mode (Reset Mode)           | Default Function | Input / Output | Value <sup>3</sup> |                        |
| DRAM_DQM0      | P3   | DRAM                     | DDR       | ALT0                                | DRAM_DQM[0]      | Output         | 0                  | PU (100K)              |
| DRAM_DQM1      | F3   | DRAM                     | DDR       | ALT0                                | DRAM_DQM[1]      | Output         | 0                  | PU (100K)              |
| DRAM_DQM2      | T3   | DRAM                     | DDR       | ALT0                                | DRAM_DQM[2]      | Output         | 0                  | PU (100K)              |
| DRAM_DQM3      | C3   | DRAM                     | DDR       | ALT0                                | DRAM_DQM[3]      | Output         | 0                  | PU (100K)              |
| DRAM_SDCKE0    | M1   | DRAM                     | DDR       | ALT0                                | DRAM_SDCKE[0]    | Output         | 0                  | PD (100K)              |
| DRAM_SDCKE1    | K3   | DRAM                     | DDR       | ALT0                                | DRAM_SDCKE[1]    | Output         | 0                  | PD (100K)              |
| DRAM_SDCLK_0   | J4   | DRAM                     | DDRCLK    | ALT0                                | DRAM_SDCLK[0]    | Output         | 0                  | Low                    |
| DRAM_SDCLK_0_B | J3   | DRAM                     | —         | —                                   | —                | —              | —                  | —                      |
| DRAM_SDQS0     | R3   | DRAM                     | DDRCLK    | ALT0                                | DRAM_SDQS[0]     | Input          | Hi-Z               | Not connected          |
| DRAM_SDQS0_B   | R4   | DRAM                     | —         | —                                   | —                | —              | —                  | —                      |
| DRAM_SDQS1     | E4   | DRAM                     | DDRCLK    | ALT0                                | DRAM_SDQS[1]     | Input          | Hi-Z               | Not connected          |
| DRAM_SDQS1_B   | E3   | DRAM                     | —         | —                                   | —                | —              | —                  | —                      |
| DRAM_SDQS2     | U2   | DRAM                     | DDRCLK    | ALT0                                | DRAM_SDQS[2]     | Input          | Hi-Z               | Not connected          |
| DRAM_SDQS2_B   | U3   | DRAM                     | —         | —                                   | —                | —              | —                  | —                      |
| DRAM_SDQS3     | D2   | DRAM                     | DDRCLK    | ALT0                                | DRAM_SDQS[3]     | Input          | Hi-Z               | Not connected          |
| DRAM_SDQS3_B   | D3   | DRAM                     | —         | —                                   | —                | —              | —                  | —                      |
| ECSPI1_MISO    | L18  | GPIO                     | GPIO      | ALT5                                | GPIO4_GPIO[10]   | Not connected  | Hi-Z               | Hi-Z                   |
| ECSPI1_MOSI    | M18  | GPIO                     | GPIO      | ALT5                                | GPIO4_GPIO[9]    | Not connected  | Hi-Z               | Hi-Z                   |
| ECSPI1_SCLK    | M17  | GPIO                     | GPIO      | ALT5                                | GPIO4_GPIO[8]    | Not connected  | Hi-Z               | Hi-Z                   |
| ECSPI1_SS0     | L17  | GPIO                     | GPIO      | ALT5                                | GPIO4_GPIO[11]   | Not connected  | Hi-Z               | Hi-Z                   |

**Table 64. 14 x 14 mm Functional Contact Assignments (continued)**

| Ball Name   | Ball | Power Group <sup>1</sup> | Ball Type | Out of Reset Condition <sup>2</sup> |                  |                |                    | During Reset Condition |
|-------------|------|--------------------------|-----------|-------------------------------------|------------------|----------------|--------------------|------------------------|
|             |      |                          |           | Default Mode (Reset Mode)           | Default Function | Input / Output | Value <sup>3</sup> |                        |
| ECSPI2_MISO | N18  | GPIO                     | GPIO      | ALT5                                | GPIO4_GPIO[14]   | Not connected  | Hi-Z               | Hi-Z                   |
| ECSPI2_MOSI | P18  | GPIO                     | GPIO      | ALT5                                | GPIO4_GPIO[13]   | Not connected  | Hi-Z               | Hi-Z                   |
| ECSPI2_SCLK | P17  | GPIO                     | GPIO      | ALT5                                | GPIO4_GPIO[12]   | Not connected  | Hi-Z               | Hi-Z                   |
| ECSPI2_SS0  | N17  | GPIO                     | GPIO      | ALT5                                | GPIO4_GPIO[15]   | Not connected  | Hi-Z               | Hi-Z                   |
| EPDC_BDR0   | B13  | GPIO                     | GPIO      | ALT5                                | GPIO2_GPIO[5]    | Not connected  | Hi-Z               | Hi-Z                   |
| EPDC_BDR1   | C13  | GPIO                     | GPIO      | ALT5                                | GPIO2_GPIO[6]    | Not connected  | Hi-Z               | Hi-Z                   |
| EPDC_D0     | C12  | GPIO                     | GPIO      | ALT5                                | GPIO1_GPIO[7]    | Not connected  | Hi-Z               | Hi-Z                   |
| EPDC_D1     | B12  | GPIO                     | GPIO      | ALT5                                | GPIO1_GPIO[8]    | Not connected  | Hi-Z               | Hi-Z                   |
| EPDC_D10    | D13  | GPIO                     | GPIO      | ALT5                                | GPIO1_GPIO[17]   | Not connected  | Hi-Z               | Hi-Z                   |
| EPDC_D11    | C11  | GPIO                     | GPIO      | ALT5                                | GPIO1_GPIO[18]   | Not connected  | Hi-Z               | Hi-Z                   |
| EPDC_D12    | C10  | GPIO                     | GPIO      | ALT5                                | GPIO1_GPIO[19]   | Not connected  | Hi-Z               | Hi-Z                   |
| EPDC_D13    | B9   | GPIO                     | GPIO      | ALT5                                | GPIO1_GPIO[20]   | Not connected  | Hi-Z               | Hi-Z                   |
| EPDC_D14    | A9   | GPIO                     | GPIO      | ALT5                                | GPIO1_GPIO[21]   | Not connected  | Hi-Z               | Hi-Z                   |
| EPDC_D15    | C9   | GPIO                     | GPIO      | ALT5                                | GPIO1_GPIO[22]   | Not connected  | Hi-Z               | Hi-Z                   |
| EPDC_D2     | A12  | GPIO                     | GPIO      | ALT5                                | GPIO1_GPIO[9]    | Not connected  | Hi-Z               | Hi-Z                   |
| EPDC_D3     | A11  | GPIO                     | GPIO      | ALT5                                | GPIO1_GPIO[10]   | Not connected  | Hi-Z               | Hi-Z                   |
| EPDC_D4     | B11  | GPIO                     | GPIO      | ALT5                                | GPIO1_GPIO[11]   | Not connected  | Hi-Z               | Hi-Z                   |
| EPDC_D5     | B10  | GPIO                     | GPIO      | ALT5                                | GPIO1_GPIO[12]   | Not connected  | Hi-Z               | Hi-Z                   |

Table 64. 14 x 14 mm Functional Contact Assignments (continued)

| Ball Name      | Ball | Power Group <sup>1</sup> | Ball Type | Out of Reset Condition <sup>2</sup> |                  |                |                    | During Reset Condition |
|----------------|------|--------------------------|-----------|-------------------------------------|------------------|----------------|--------------------|------------------------|
|                |      |                          |           | Default Mode (Reset Mode)           | Default Function | Input / Output | Value <sup>3</sup> |                        |
| EPDC_D6        | A10  | GPIO                     | GPIO      | ALT5                                | GPIO1_GPIO[13]   | Not connected  | Hi-Z               | Hi-Z                   |
| EPDC_D7        | E11  | GPIO                     | GPIO      | ALT5                                | GPIO1_GPIO[14]   | Not connected  | Hi-Z               | Hi-Z                   |
| EPDC_D8        | D11  | GPIO                     | GPIO      | ALT5                                | GPIO1_GPIO[15]   | Not connected  | Hi-Z               | Hi-Z                   |
| EPDC_D9        | D12  | GPIO                     | GPIO      | ALT5                                | GPIO1_GPIO[16]   | Not connected  | Hi-Z               | Hi-Z                   |
| EPDC_GDCLK     | C8   | GPIO                     | GPIO      | ALT5                                | GPIO1_GPIO[31]   | Not connected  | Hi-Z               | Hi-Z                   |
| EPDC_GDOE      | A8   | GPIO                     | GPIO      | ALT5                                | GPIO2_GPIO[0]    | Not connected  | Hi-Z               | Hi-Z                   |
| EPDC_GDRL      | D10  | GPIO                     | GPIO      | ALT5                                | GPIO2_GPIO[1]    | Not connected  | Hi-Z               | Hi-Z                   |
| EPDC_GDSP      | A6   | GPIO                     | GPIO      | ALT5                                | GPIO2_GPIO[2]    | Not connected  | Hi-Z               | Hi-Z                   |
| EPDC_PWRCOM    | B7   | GPIO                     | GPIO      | ALT5                                | GPIO2_GPIO[11]   | Not connected  | Hi-Z               | Hi-Z                   |
| EPDC_PWRCTRL0  | C7   | GPIO                     | GPIO      | ALT5                                | GPIO2_GPIO[7]    | Not connected  | Hi-Z               | Hi-Z                   |
| EPDC_PWRCTRL1  | D9   | GPIO                     | GPIO      | ALT5                                | GPIO2_GPIO[8]    | Not connected  | Hi-Z               | Hi-Z                   |
| EPDC_PWRCTRL2  | B8   | GPIO                     | GPIO      | ALT5                                | GPIO2_GPIO[9]    | Not connected  | Hi-Z               | Hi-Z                   |
| EPDC_PWRCTRL3  | E10  | GPIO                     | GPIO      | ALT5                                | GPIO2_GPIO[10]   | Not connected  | Hi-Z               | Hi-Z                   |
| EPDC_PWRINT    | D8   | GPIO                     | GPIO      | ALT5                                | GPIO2_GPIO[12]   | Not connected  | Hi-Z               | Hi-Z                   |
| EPDC_PWRSTAT   | C6   | GPIO                     | GPIO      | ALT5                                | GPIO2_GPIO[13]   | Not connected  | Hi-Z               | Hi-Z                   |
| EPDC_PWRWAKEUP | B5   | GPIO                     | GPIO      | ALT5                                | GPIO2_GPIO[14]   | Not connected  | Hi-Z               | Hi-Z                   |
| EPDC_SDCE0     | B6   | GPIO                     | GPIO      | ALT5                                | GPIO1_GPIO[27]   | Not connected  | Hi-Z               | Hi-Z                   |
| EPDC_SDCE1     | D7   | GPIO                     | GPIO      | ALT5                                | GPIO1_GPIO[28]   | Not connected  | Hi-Z               | Hi-Z                   |

**Table 64. 14 x 14 mm Functional Contact Assignments (continued)**

| Ball Name  | Ball | Power Group <sup>1</sup> | Ball Type | Out of Reset Condition <sup>2</sup> |                  |                |                    | During Reset Condition |
|------------|------|--------------------------|-----------|-------------------------------------|------------------|----------------|--------------------|------------------------|
|            |      |                          |           | Default Mode (Reset Mode)           | Default Function | Input / Output | Value <sup>3</sup> |                        |
| EPDC_SDCE2 | D6   | GPIO                     | GPIO      | ALT5                                | GPIO1_GPIO[29]   | Not connected  | Hi-Z               | Hi-Z                   |
| EPDC_SDCE3 | D5   | GPIO                     | GPIO      | ALT5                                | GPIO1_GPIO[30]   | Not connected  | Hi-Z               | Hi-Z                   |
| EPDC_SDCLK | A5   | GPIO                     | GPIO      | ALT5                                | GPIO1_GPIO[23]   | Not connected  | Hi-Z               | Hi-Z                   |
| EPDC_SDLE  | C5   | GPIO                     | GPIO      | ALT5                                | GPIO1_GPIO[24]   | Not connected  | Hi-Z               | Hi-Z                   |
| EPDC_SDOE  | C4   | GPIO                     | GPIO      | ALT5                                | GPIO1_GPIO[25]   | Not connected  | Hi-Z               | Hi-Z                   |
| EPDC_SDSHR | B4   | GPIO                     | GPIO      | ALT5                                | GPIO1_GPIO[26]   | Not connected  | Hi-Z               | Hi-Z                   |
| EPDC_VCOM0 | A4   | GPIO                     | GPIO      | ALT5                                | GPIO2_GPIO[3]    | Not connected  | Hi-Z               | Hi-Z                   |
| EPDC_VCOM1 | A3   | GPIO                     | GPIO      | ALT5                                | GPIO2_GPIO[4]    | Not connected  | Hi-Z               | Hi-Z                   |
| GPIO4_IO16 | U6   | GPIO                     | GPIO      | ALT5                                | GPIO4_GPIO[16]   | Not connected  | Hi-Z               | Hi-Z                   |
| GPIO4_IO17 | W4   | GPIO                     | GPIO      | ALT5                                | GPIO4_GPIO[17]   | Not connected  | Hi-Z               | Hi-Z                   |
| GPIO4_IO18 | Y5   | GPIO                     | GPIO      | ALT5                                | GPIO4_GPIO[18]   | Not connected  | Hi-Z               | Hi-Z                   |
| GPIO4_IO19 | V4   | GPIO                     | GPIO      | ALT5                                | GPIO4_GPIO[19]   | Not connected  | Hi-Z               | Hi-Z                   |
| GPIO4_IO20 | U5   | GPIO                     | GPIO      | ALT5                                | GPIO4_GPIO[20]   | Not connected  | Hi-Z               | Hi-Z                   |
| GPIO4_IO21 | U4   | GPIO                     | GPIO      | ALT5                                | GPIO4_GPIO[21]   | Not connected  | Hi-Z               | Hi-Z                   |
| GPIO4_IO22 | W6   | GPIO                     | GPIO      | ALT5                                | GPIO4_GPIO[22]   | Not connected  | Hi-Z               | Hi-Z                   |
| GPIO4_IO23 | W5   | GPIO                     | GPIO      | ALT5                                | GPIO4_GPIO[23]   | Not connected  | Hi-Z               | Hi-Z                   |
| GPIO4_IO24 | Y6   | GPIO                     | GPIO      | ALT5                                | GPIO4_GPIO[24]   | Not connected  | Hi-Z               | Hi-Z                   |
| GPIO4_IO25 | V5   | GPIO                     | GPIO      | ALT5                                | GPIO4_GPIO[25]   | Not connected  | Hi-Z               | Hi-Z                   |

Table 64. 14 x 14 mm Functional Contact Assignments (continued)

| Ball Name  | Ball | Power Group <sup>1</sup> | Ball Type | Out of Reset Condition <sup>2</sup> |                  |                |                    | During Reset Condition |
|------------|------|--------------------------|-----------|-------------------------------------|------------------|----------------|--------------------|------------------------|
|            |      |                          |           | Default Mode (Reset Mode)           | Default Function | Input / Output | Value <sup>3</sup> |                        |
| GPIO4_IO26 | V6   | GPIO                     | GPIO      | ALT5                                | GPIO4_GPIO[26]   | Not connected  | Hi-Z               | Hi-Z                   |
| I2C1_SCL   | Y9   | GPIO                     | GPIO      | ALT5                                | GPIO3_GPIO[12]   | Not connected  | Hi-Z               | Hi-Z                   |
| I2C1_SDA   | W9   | GPIO                     | GPIO      | ALT5                                | GPIO3_GPIO[13]   | Not connected  | Hi-Z               | Hi-Z                   |
| I2C2_SCL   | B14  | GPIO                     | GPIO      | ALT5                                | GPIO3_GPIO[14]   | Not connected  | Hi-Z               | Hi-Z                   |
| I2C2_SDA   | A14  | GPIO                     | GPIO      | ALT5                                | GPIO3_GPIO[15]   | Not connected  | Hi-Z               | Hi-Z                   |
| JTAG_MOD   | T9   | GPIO                     | GPIO      | ALT0                                | SJC.MOD          | Input          | PU (100K)          | PU (100K)              |
| JTAG_TCK   | V9   | GPIO                     | GPIO      | ALT0                                | SJC.TCK          | Input          | PU (47K)           | PU (47K)               |
| JTAG_TDI   | U8   | GPIO                     | GPIO      | ALT0                                | SJC.TDI          | Input          | PU (47K)           | PU (47K)               |
| JTAG_TDO   | V10  | GPIO                     | GPIO      | ALT0                                | SJC.TDO          | Input          | 0                  | Input keeper           |
| JTAG_TMS   | U9   | GPIO                     | GPIO      | ALT0                                | SJC.TMS          | Input          | PU (47K)           | PU (47K)               |
| JTAG_TRSTB | U10  | GPIO                     | GPIO      | ALT0                                | SJC.TRSTB        | Input          | PU (47K)           | PU (47K)               |
| KEY_COL0   | D18  | GPIO                     | GPIO      | ALT5                                | GPIO3_GPIO[24]   | Not connected  | Hi-Z               | Hi-Z                   |
| KEY_COL1   | E18  | GPIO                     | GPIO      | ALT5                                | GPIO3_GPIO[26]   | Not connected  | Hi-Z               | Hi-Z                   |
| KEY_COL2   | D20  | GPIO                     | GPIO      | ALT5                                | GPIO3_GPIO[28]   | Not connected  | Hi-Z               | Hi-Z                   |
| KEY_COL3   | E19  | GPIO                     | GPIO      | ALT5                                | GPIO3_GPIO[30]   | Not connected  | Hi-Z               | Hi-Z                   |
| KEY_COL4   | C19  | GPIO                     | GPIO      | ALT5                                | GPIO4_GPIO[0]    | Not connected  | Hi-Z               | Hi-Z                   |
| KEY_COL5   | D19  | GPIO                     | GPIO      | ALT5                                | GPIO4_GPIO[2]    | Not connected  | Hi-Z               | Hi-Z                   |
| KEY_COL6   | C17  | GPIO                     | GPIO      | ALT5                                | GPIO4_GPIO[4]    | Not connected  | Hi-Z               | Hi-Z                   |

**Table 64. 14 x 14 mm Functional Contact Assignments (continued)**

| Ball Name | Ball | Power Group <sup>1</sup> | Ball Type | Out of Reset Condition <sup>2</sup> |                  |                |                    | During Reset Condition |
|-----------|------|--------------------------|-----------|-------------------------------------|------------------|----------------|--------------------|------------------------|
|           |      |                          |           | Default Mode (Reset Mode)           | Default Function | Input / Output | Value <sup>3</sup> |                        |
| KEY_COL7  | A19  | GPIO                     | GPIO      | ALT5                                | GPIO4_GPIO[6]    | Not connected  | Hi-Z               | Hi-Z                   |
| KEY_ROW0  | F20  | GPIO                     | GPIO      | ALT5                                | GPIO3_GPIO[25]   | Not connected  | Hi-Z               | Hi-Z                   |
| KEY_ROW1  | E17  | GPIO                     | GPIO      | ALT5                                | GPIO3_GPIO[27]   | Not connected  | Hi-Z               | Hi-Z                   |
| KEY_ROW2  | E20  | GPIO                     | GPIO      | ALT5                                | GPIO3_GPIO[29]   | Not connected  | Hi-Z               | Hi-Z                   |
| KEY_ROW3  | C20  | GPIO                     | GPIO      | ALT5                                | GPIO3_GPIO[31]   | Not connected  | Hi-Z               | Hi-Z                   |
| KEY_ROW4  | B18  | GPIO                     | GPIO      | ALT5                                | GPIO4_GPIO[1]    | Not connected  | Hi-Z               | Hi-Z                   |
| KEY_ROW5  | C18  | GPIO                     | GPIO      | ALT5                                | GPIO4_GPIO[3]    | Not connected  | Hi-Z               | Hi-Z                   |
| KEY_ROW6  | B20  | GPIO                     | GPIO      | ALT5                                | GPIO4_GPIO[5]    | Not connected  | Hi-Z               | Hi-Z                   |
| KEY_ROW7  | B19  | GPIO                     | GPIO      | ALT5                                | GPIO4_GPIO[7]    | Not connected  | Hi-Z               | Hi-Z                   |
| LCD_CLK   | R18  | GPIO                     | GPIO      | ALT5                                | GPIO2_GPIO[15]   | Not connected  | Hi-Z               | Hi-Z                   |
| LCD_DAT0  | U20  | GPIO                     | GPIO      | ALT5                                | GPIO2_GPIO[20]   | Input          | PD (100K)          | PD (100K)              |
| LCD_DAT1  | T20  | GPIO                     | GPIO      | ALT5                                | GPIO2_GPIO[21]   | Input          | PD (100K)          | PD (100K)              |
| LCD_DAT10 | M19  | GPIO                     | GPIO      | ALT5                                | GPIO2_GPIO[30]   | Input          | PD (100K)          | PD (100K)              |
| LCD_DAT11 | N20  | GPIO                     | GPIO      | ALT5                                | GPIO2_GPIO[31]   | Input          | PD (100K)          | PD (100K)              |
| LCD_DAT12 | M20  | GPIO                     | GPIO      | ALT5                                | GPIO3_GPIO[0]    | Input          | PD (100K)          | PD (100K)              |
| LCD_DAT13 | L20  | GPIO                     | GPIO      | ALT5                                | GPIO3_GPIO[1]    | Input          | PD (100K)          | PD (100K)              |
| LCD_DAT14 | L16  | GPIO                     | GPIO      | ALT5                                | GPIO3_GPIO[2]    | Input          | PD (100K)          | PD (100K)              |
| LCD_DAT15 | K20  | GPIO                     | GPIO      | ALT5                                | GPIO3_GPIO[3]    | Input          | PD (100K)          | PD (100K)              |

Table 64. 14 x 14 mm Functional Contact Assignments (continued)

| Ball Name  | Ball | Power Group <sup>1</sup> | Ball Type | Out of Reset Condition <sup>2</sup> |                  |                |                    | During Reset Condition |
|------------|------|--------------------------|-----------|-------------------------------------|------------------|----------------|--------------------|------------------------|
|            |      |                          |           | Default Mode (Reset Mode)           | Default Function | Input / Output | Value <sup>3</sup> |                        |
| LCD_DAT16  | L19  | GPIO                     | GPIO      | ALT5                                | GPIO3_GPIO[4]    | Input          | PD (100K)          | PD (100K)              |
| LCD_DAT17  | K16  | GPIO                     | GPIO      | ALT5                                | GPIO3_GPIO[5]    | Input          | PD (100K)          | PD (100K)              |
| LCD_DAT18  | K19  | GPIO                     | GPIO      | ALT5                                | GPIO3_GPIO[6]    | Input          | PD (100K)          | PD (100K)              |
| LCD_DAT19  | J19  | GPIO                     | GPIO      | ALT5                                | GPIO3_GPIO[7]    | Input          | PD (100K)          | PD (100K)              |
| LCD_DAT2   | T19  | GPIO                     | GPIO      | ALT5                                | GPIO2_GPIO[22]   | Input          | PD (100K)          | PD (100K)              |
| LCD_DAT20  | K17  | GPIO                     | GPIO      | ALT5                                | GPIO3_GPIO[8]    | Input          | PD (100K)          | PD (100K)              |
| LCD_DAT21  | K18  | GPIO                     | GPIO      | ALT5                                | GPIO3_GPIO[9]    | Input          | PD (100K)          | PD (100K)              |
| LCD_DAT22  | J20  | GPIO                     | GPIO      | ALT5                                | GPIO3_GPIO[10]   | Input          | PD (100K)          | PD (100K)              |
| LCD_DAT23  | J17  | GPIO                     | GPIO      | ALT5                                | GPIO3_GPIO[11]   | Input          | PD (100K)          | PD (100K)              |
| LCD_DAT3   | T18  | GPIO                     | GPIO      | ALT5                                | GPIO2_GPIO[23]   | Input          | PD (100K)          | PD (100K)              |
| LCD_DAT4   | R20  | GPIO                     | GPIO      | ALT5                                | GPIO2_GPIO[24]   | Input          | PD (100K)          | PD (100K)              |
| LCD_DAT5   | T17  | GPIO                     | GPIO      | ALT5                                | GPIO2_GPIO[25]   | Input          | PD (100K)          | PD (100K)              |
| LCD_DAT6   | R17  | GPIO                     | GPIO      | ALT5                                | GPIO2_GPIO[26]   | Input          | PD (100K)          | PD (100K)              |
| LCD_DAT7   | R19  | GPIO                     | GPIO      | ALT5                                | GPIO2_GPIO[27]   | Input          | PD (100K)          | PD (100K)              |
| LCD_DAT8   | P19  | GPIO                     | GPIO      | ALT5                                | GPIO2_GPIO[28]   | Input          | PD (100K)          | PD (100K)              |
| LCD_DAT9   | N19  | GPIO                     | GPIO      | ALT5                                | GPIO2_GPIO[29]   | Input          | PD (100K)          | PD (100K)              |
| LCD_ENABLE | J18  | GPIO                     | GPIO      | ALT5                                | GPIO2_GPIO[16]   | Not connected  | Hi-Z               | Hi-Z                   |
| LCD_HSYNC  | G19  | GPIO                     | GPIO      | ALT5                                | GPIO2_GPIO[17]   | Not connected  | Hi-Z               | Hi-Z                   |

Table 64. 14 x 14 mm Functional Contact Assignments (continued)

| Ball Name     | Ball | Power Group <sup>1</sup> | Ball Type | Out of Reset Condition <sup>2</sup> |   |                |                           | During Reset Condition |
|---------------|------|--------------------------|-----------|-------------------------------------|---|----------------|---------------------------|------------------------|
|               |      |                          |           | Default Mode (Reset Mode)           | Default Function                          | Input / Output | Value <sup>3</sup>        |                        |
| LCD_RESET     | H19  | GPIO                     | GPIO      | ALT5                                | GPIO2_GPIO[19]                            | Not connected  | Hi-Z                      | Hi-Z                   |
| LCD_VSYNC     | H20  | GPIO                     | GPIO      | ALT5                                | GPIO2_GPIO[18]                            | Not connected  | Hi-Z                      | Hi-Z                   |
| ONOFF         | U12  | RESET                    | GPIO      | ALT0                                | SRC.RESET_B                               | Input          | PU (100K)                 | PU (100K)              |
| PMIC_ON_REQ   | Y10  | RESET                    | GPIO      | ALT0                                | SNVS_LP_WRAPPE<br>R.SNVS_WAKEUP_<br>ALARM | Output         | Open Drain with PU (100K) | PU (100K)              |
| PMIC_STBY_REQ | W10  | RESET                    | GPIO      | ALT0                                | CCM.PMIC_VSTBY_<br>REQ                    | Output         | 0                         | Not connected          |
| POR_B         | V11  | RESET                    | GPIO      | ALT0                                | SRC.POR_B                                 | Input          | PU (100K)                 | PU (100K)              |
| PWM1          | T5   | GPIO                     | GPIO      | ALT5                                | GPIO3_GPIO[23]                            | Not connected  | Hi-Z                      | Hi-Z                   |
| REF_CLK_24M   | T8   | GPIO                     | GPIO      | ALT5                                | GPIO3_GPIO[21]                            | Not connected  | Hi-Z                      | Hi-Z                   |
| REF_CLK_32K   | T10  | GPIO                     | GPIO      | ALT5                                | GPIO3_GPIO[22]                            | Not connected  | Hi-Z                      | Hi-Z                   |
| RTC_XTALI     | Y16  | ANATOP                   | —         | —                                   | —   | —              | —                         | —                      |
| RTC_XTALO     | W16  | ANATOP                   | —         | —                                   | —   | —              | —                         | —                      |
| SD1_CLK       | D15  | GPIO                     | GPIO      | ALT5                                | GPIO5_GPIO[15]                            | Not connected  | Hi-Z                      | Hi-Z                   |
| SD1_CMD       | C15  | GPIO                     | GPIO      | ALT5                                | GPIO5_GPIO[14]                            | Not connected  | Hi-Z                      | Hi-Z                   |
| SD1_DAT0      | A18  | GPIO                     | GPIO      | ALT5                                | GPIO5_GPIO[11]                            | Not connected  | Hi-Z                      | Hi-Z                   |
| SD1_DAT1      | C16  | GPIO                     | GPIO      | ALT5                                | GPIO5_GPIO[8]                             | Not connected  | Hi-Z                      | Hi-Z                   |
| SD1_DAT2      | B17  | GPIO                     | GPIO      | ALT5                                | GPIO5_GPIO[13]                            | Not connected  | Hi-Z                      | Hi-Z                   |
| SD1_DAT3      | B16  | GPIO                     | GPIO      | ALT5                                | GPIO5_GPIO[6]                             | Not connected  | Hi-Z                      | Hi-Z                   |
| SD1_DAT4      | D16  | GPIO                     | GPIO      | ALT5                                | GPIO5_GPIO[12]                            | Not connected  | Hi-Z                      | Hi-Z                   |

Table 64. 14 x 14 mm Functional Contact Assignments (continued)

| Ball Name | Ball | Power Group <sup>1</sup> | Ball Type | Out of Reset Condition <sup>2</sup> |                  |                |                    | During Reset Condition |
|-----------|------|--------------------------|-----------|-------------------------------------|------------------|----------------|--------------------|------------------------|
|           |      |                          |           | Default Mode (Reset Mode)           | Default Function | Input / Output | Value <sup>3</sup> |                        |
| SD1_DAT5  | A17  | GPIO                     | GPIO      | ALT5                                | GPIO5_GPIO[9]    | Not connected  | Hi-Z               | Hi-Z                   |
| SD1_DAT6  | A16  | GPIO                     | GPIO      | ALT5                                | GPIO5_GPIO[7]    | Not connected  | Hi-Z               | Hi-Z                   |
| SD1_DAT7  | D14  | GPIO                     | GPIO      | ALT5                                | GPIO5_GPIO[10]   | Not connected  | Hi-Z               | Hi-Z                   |
| SD2_CLK   | Y19  | GPIO                     | GPIO      | ALT5                                | GPIO5_GPIO[5]    | Not connected  | Hi-Z               | Hi-Z                   |
| SD2_CMD   | W20  | GPIO                     | GPIO      | ALT5                                | GPIO5_GPIO[4]    | Not connected  | Hi-Z               | Hi-Z                   |
| SD2_DAT0  | Y18  | GPIO                     | GPIO      | ALT5                                | GPIO5_GPIO[1]    | Not connected  | Hi-Z               | Hi-Z                   |
| SD2_DAT1  | W18  | GPIO                     | GPIO      | ALT5                                | GPIO4_GPIO[30]   | Not connected  | Hi-Z               | Hi-Z                   |
| SD2_DAT2  | V18  | GPIO                     | GPIO      | ALT5                                | GPIO5_GPIO[3]    | Not connected  | Hi-Z               | Hi-Z                   |
| SD2_DAT3  | W19  | GPIO                     | GPIO      | ALT5                                | GPIO4_GPIO[28]   | Not connected  | Hi-Z               | Hi-Z                   |
| SD2_DAT4  | V20  | GPIO                     | GPIO      | ALT5                                | GPIO5_GPIO[2]    | Not connected  | Hi-Z               | Hi-Z                   |
| SD2_DAT5  | U17  | GPIO                     | GPIO      | ALT5                                | GPIO4_GPIO[31]   | Not connected  | Hi-Z               | Hi-Z                   |
| SD2_DAT6  | U18  | GPIO                     | GPIO      | ALT5                                | GPIO4_GPIO[29]   | Not connected  | Hi-Z               | Hi-Z                   |
| SD2_DAT7  | V19  | GPIO                     | GPIO      | ALT5                                | GPIO5_GPIO[0]    | Not connected  | Hi-Z               | Hi-Z                   |
| SD2_RST   | U19  | GPIO                     | GPIO      | ALT5                                | GPIO4_GPIO[27]   | Not connected  | Hi-Z               | Hi-Z                   |
| SD3_CLK   | U7   | GPIO                     | GPIO      | ALT5                                | GPIO5_GPIO[18]   | Not connected  | Hi-Z               | Hi-Z                   |
| SD3_CMD   | W7   | GPIO                     | GPIO      | ALT5                                | GPIO5_GPIO[21]   | Not connected  | Hi-Z               | Hi-Z                   |
| SD3_DAT0  | Y8   | GPIO                     | GPIO      | ALT5                                | GPIO5_GPIO[19]   | Not connected  | Hi-Z               | Hi-Z                   |
| SD3_DAT1  | W8   | GPIO                     | GPIO      | ALT5                                | GPIO5_GPIO[20]   | Not connected  | Hi-Z               | Hi-Z                   |

Table 64. 14 x 14 mm Functional Contact Assignments (continued)

| Ball Name      | Ball | Power Group <sup>1</sup> | Ball Type | Out of Reset Condition <sup>2</sup> |                              |                |                    | During Reset Condition |
|----------------|------|--------------------------|-----------|-------------------------------------|------------------------------|----------------|--------------------|------------------------|
|                |      |                          |           | Default Mode (Reset Mode)           | Default Function             | Input / Output | Value <sup>3</sup> |                        |
| SD3_DAT2       | V7   | GPIO                     | GPIO      | ALT5                                | GPIO5_GPIO[16]               | Not connected  | Hi-Z               | Hi-Z                   |
| SD3_DAT3       | V8   | GPIO                     | GPIO      | ALT5                                | GPIO5_GPIO[17]               | Not connected  | Hi-Z               | Hi-Z                   |
| TAMPER         | T12  | RESET                    | GPIO      | ALT0                                | SNVS_LP_WRAPPE<br>R.SNVS_TD1 | Input          | —                  | PD<br>(100K)           |
| TEST_MODE      | U11  | RESET                    | GPIO      | ALT0                                | TCU.TEST_MODE                | Input          | —                  | PD<br>(100K)           |
| UART1_RXD      | A15  | GPIO                     | GPIO      | ALT5                                | GPIO3_GPIO[16]               | Not connected  | Hi-Z               | Hi-Z                   |
| UART1_TXD      | B15  | GPIO                     | GPIO      | ALT5                                | GPIO3_GPIO[17]               | Not connected  | Hi-Z               | Hi-Z                   |
| USB_OTG1_CHD_B | W15  | ANATOP                   | —         | —                                   | —                            | —              | —                  | —                      |
| USB_OTG1_DN    | Y14  | ANATOP                   | —         | —                                   | —                            | —              | —                  | —                      |
| USB_OTG1_DP    | W14  | ANATOP                   | —         | —                                   | —                            | —              | —                  | —                      |
| USB_OTG2_DN    | Y12  | ANATOP                   | —         | —                                   | —                            | —              | —                  | —                      |
| USB_OTG2_DP    | W12  | ANATOP                   | —         | —                                   | —                            | —              | —                  | —                      |
| WDOG_B         | C14  | GPIO                     | GPIO      | ALT5                                | GPIO3_GPIO[18]               | Not connected  | Hi-Z               | Hi-Z                   |
| XTALI          | V13  | ANATOP                   | —         | —                                   | —                            | —              | —                  | —                      |
| XTALO          | U13  | ANATOP                   | —         | —                                   | —                            | —              | —                  | —                      |
| ZQPAD          | G3   | DRAM                     | —         | —                                   | —                            | Input          | Hi-Z               | Not connected          |

<sup>1</sup> All balls marked Power Group NVCC33\_IO or NVCC18\_IO are dual-voltage IOs. The user supplies NVCC33\_IO and NVCC18\_IO. In the IOMUX for each ball, the user selects either 3.3 V or 1.8 V operation using the LVE field in the Pad Control Register for each ball.

<sup>2</sup> The state immediately after reset and before ROM firmware or software has executed.

<sup>3</sup> Variance of the pull-up and pull-down strengths are shown in the tables as follows:

- [Table 20, "DVGPI I/O DC Parameters," on page 29.](#)
- [Table 21, "GPIO I/O DC Parameters," on page 30](#)
- [Table 22, "LPDDR2/LPDDR3 I/O DC Electrical Parameters," on page 31](#)

### 6.1.3 14 x 14 mm, 0.65 mm Pitch Ball Map

Table 65 shows the MAPBGA 14 x 14 mm, 0.65 mm pitch ball map.

Table 65. 14 x 14 mm, 0.65 mm Pitch Ball Map

| F             | E             | D             | C             | B              | A          |
|---------------|---------------|---------------|---------------|----------------|------------|
| DRAM_D14      | DRAM_D25      | DRAM_D26      | DRAM_D29      | DRAM_D28       | GND        |
| DRAM_D13      | DRAM_D24      | DRAM_SDQS3    | DRAM_D27      | DRAM_D30       | DRAM_D31   |
| DRAM_DQM1     | DRAM_SDQS1_B  | DRAM_SDQS3_B  | DRAM_DQM3     | GND            | EPDC_VCOM1 |
| DRAM_A7       | DRAM_SDQS1    | GND           | EPDC_SDOE     | EPDC_SDSHR     | EPDC_VCOM0 |
| GND           | GND           | EPDC_SDCE3    | EPDC_SDLE     | EPDC_PWRWAKEUP | EPDC_SDCLK |
| NVCC_DRAM_2P5 | GND           | EPDC_SDCE2    | EPDC_PWRSTAT  | EPDC_SDCE0     | EPDC_GDSP  |
| NVCC_3V3      | NVCC_1V8      | EPDC_SDCE1    | EPDC_PWRCTRL0 | EPDC_PWRCOM    | GND        |
| NVCC_3V3      | NVCC_1V8      | EPDC_PWRINT   | EPDC_GDCLK    | EPDC_PWRCTRL2  | EPDC_GDOE  |
| NVCC_3V3      | GND           | EPDC_PWRCTRL1 | EPDC_D15      | EPDC_D13       | EPDC_D14   |
| NVCC_3V3      | EPDC_PWRCTRL3 | EPDC_GDRL     | EPDC_D12      | EPDC_D5        | EPDC_D6    |
| NVCC_3V3      | EPDC_D7       | EPDC_D8       | EPDC_D11      | EPDC_D4        | EPDC_D3    |
| NVCC_3V3      | GND           | EPDC_D9       | EPDC_D0       | EPDC_D1        | EPDC-D2    |
| NVCC_3V3      | NVCC_1V8      | EPDC_D10      | EPDC_BDR1     | EPDC_BDR0      | GND        |
| NVCC_3V3      | NVCC_1V8      | SD1_DAT7      | WDOG_B        | I2C2_SCL       | I2C2_SDA   |
| NVCC_3V3      | GND           | SD1_CLK       | SD1_CMD       | UART1_TXD      | UART1_RXD  |
| GND           | GND           | SD1_DAT4      | SD1_DAT1      | SD1_DAT3       | SD1_DAT6   |
| AUD_MCLK      | KEY_ROW1      | GND           | KEY_COL6      | SD1_DAT2       | SD1_DAT5   |
| AUD_RXFS      | KEY_COL1      | KEY_COL0      | KEY_ROW5      | KEY_ROW4       | SD1_DAT0   |
| AUD_TXFS      | KEY_COL3      | KEY_COL5      | KEY_COL4      | KEY_ROW7       | KEY_COL7   |
| KEY_ROW0      | KEY_ROW2      | KEY_COL2      | KEY_ROW3      | KEY_ROW6       | GND        |

Table 65. 14 x 14 mm, 0.65 mm Pitch Ball Map (continued)

| P           | N           | M           | L           | K             | J              | H          | G          |
|-------------|-------------|-------------|-------------|---------------|----------------|------------|------------|
| GND         | DRAM_D7     | DRAM_SDCKE0 | DRAM_A5     | DRAM_D10      | DRAM_D11       | DRAM_D9    | GND        |
| DRAM_D4     | DRAM_D5     | DRAM_D6     | DRAM_CS0_B  | DRAM_CS1_B    | DRAM_D8        | DRAM_D12   | DRAM_D15   |
| DRAM_DQM0   | GND         | DRAM_A2     | DRAM_A6     | DRAM_SDCKE1   | DRAM_SDCLK_0_B | GND        | ZQPAD      |
| DRAM_A0     | DRAM_A1     | DRAM_A3     | DRAM_A4     | DRAM_VREF     | DRAM_SDCLK_0   | DRAM_A8    | DRAM_A9    |
| GND         | NVCC_DRAM   | GND         | GND         | NVCC_DRAM     | GND            | GND        | NVCC_DRAM  |
| NVCC_DRAM   | NVCC_DRAM   | NVCC_DRAM   | NVCC_DRAM   | NVCC_DRAM_2P5 | NVCC_DRAM      | NVCC_DRAM  | NVCC_DRAM  |
| GND         | GND         | GND         | GND         | GND           | GND            | GND        | GND        |
| GND         | VDD_SOC_IN  | VDD_SOC_IN  | VDD_SOC_IN  | VDD_SOC_IN    | VDD_SOC_IN     | VDD_SOC_IN | GND        |
| GND         | VDD_SOC_IN  | VDD_SOC_IN  | GND         | GND           | VDD_SOC_IN     | VDD_SOC_IN | GND        |
| GND         | VDD_SOC_IN  | VDD_SOC_IN  | GND         | GND           | VDD_SOC_IN     | VDD_SOC_IN | GND        |
| GND         | VDD_SOC_IN  | VDD_SOC_IN  | GND         | GND           | VDD_ARM_IN     | VDD_ARM_IN | GND        |
| GND         | VDD_SOC_IN  | VDD_SOC_IN  | GND         | GND           | VDD_ARM_IN     | VDD_ARM_IN | GND        |
| GND         | VDD_SOC_IN  | VDD_SOC_IN  | VDD_ARM_IN  | VDD_ARM_IN    | VDD_ARM_IN     | VDD_ARM_IN | GND        |
| GND         | GND         | GND         | GND         | GND           | GND            | GND        | GND        |
| NVCC_3V3    | NVCC_3V3    | NVCC_3V3    | NVCC_3V3    | NVCC_3V3      | NVCC_3V3       | NVCC_3V3   | NVCC_3V3   |
| GND         | NVCC_1V8    | NVCC_1V8    | LCD_DAT14   | LCD_DAT17     | GND            | NVCC_1V8   | NVCC_1V8_2 |
| ECSP12_SCLK | ECSP12_SS0  | ECSP11_SCLK | ECSP11_SS0  | LCD_DAT20     | LCD_DAT23      | AUD_RXC    | AUD_TXC    |
| ECSP12_MOSI | ECSP12_MISO | ECSP11_MOSI | ECSP11_MISO | LCD_DAT21     | LCD_ENABLE     | AUD_RXD    | AUD_TXD    |
| LCD_DAT8    | LCD_DAT9    | LCD_DAT10   | LCD_DAT16   | LCD_DAT18     | LCD_DAT19      | LCD_RESET  | LCD_HSYNC  |
| GND         | LCD_DAT11   | LCD_DAT12   | LCD_DAT13   | LCD_DAT15     | LCD_DAT22      | LCD_VSYNC  | GND        |

Table 65. 14 x 14 mm, 0.65 mm Pitch Ball Map (continued)

| Y             | W              | V            | U            | T           | R             |
|---------------|----------------|--------------|--------------|-------------|---------------|
| GND           | DRAM_D21       | DRAM_D23     | DRAM_D22     | DRAM_D1     | DRAM_D3       |
| DRAM_D19      | DRAM_D18       | DRAM_D20     | DRAM_SDQS2   | DRAM_D0     | DRAM_D2       |
| DRAM_D17      | DRAM_D16       | GND          | DRAM_SDQS2_B | DRAM_DQM2   | DRAM_SDQS0    |
| GND           | GPIO4_IO17     | GPIO4_IO19   | GPIO4_IO21   | GND         | DRAM_SDQS0_B  |
| GPIO4_IO18    | GPIO4_IO23     | GPIO4_IO25   | GPIO4_IO20   | PWM1        | GND           |
| GPIO4_IO24    | GPIO4_IO22     | GPIO4_IO226  | GPIO4_IO16   | GND         | NVCC_DRAM_2P5 |
| GND           | SD3_CMD        | SD3_DAT2     | SD3_CLK      | GND         | NVCC_1V8      |
| SD3_DAT0      | SD3_DAT1       | SD3_DAT3     | JTAG_TDI     | REF_CLK_24M | NVCC_1V8      |
| I2C1_SCL      | I2C1_SDA       | JTAG_TCK     | JTAG_TMS     | JTAG_MOD    | NVCC_3V3      |
| PMIC_ON_REQ   | PMC_STBY_REQ   | JTAG_TDO     | JTAG_TRSTB   | REF_CLK_32K | NVCC_3V3      |
| GND           | BOOT_MODE0     | POR_B        | TEST_MODE    | BOOT_MODE1  | NVCC_3V3      |
| USB_OTG2_DN   | USB_OTG2_DP    | GND          | ONOFF        | TAMPER      | NVCC_3V3      |
| USB_OTG2_VBUS | USB_OTG1_VBUS  | XTALI        | XTALO        | VDD_USB_CAP | NVCC_3V3      |
| USB_OTG1_DN   | USB_OTG1_DP    | VDD_SNV5_IN  | VDD_SNV5_CAP | NGND_KEL0   | NVCC_3V3      |
| GND           | USB_OTG1_CHD_B | CLK1_P       | CLK1_N       | GND         | NVCC_3V3      |
| RTC_XTALI     | RTC_XTALO      | VDD_HIGH_CAP | VDD_HIGH_CAP | GPANAIO     | GND           |
| VDD_HIGH_IN   | VDD_HIGH_IN    | NVCC_PLL     | SD2_DAT5     | LCD_DAT5    | LCD_DAT6      |
| SD2_DAT0      | SD2_DAT1       | SD2_DAT2     | SD2_DAT6     | LCD_DAT3    | LCD_CLK       |
| SD2_CLK       | SD2_DAT3       | SD2_DAT7     | SD2_RST      | LCD_DAT2    | LCD_DAT7      |
| GND           | SD2_CMD        | SD2_DAT4     | LCD_DAT0     | LCD_DAT1    | LCD_DAT4      |

## 7 Revision History

Table 66 provides a history for this data sheet.

**Table 66. i.MX 6SLL Data Sheet Document Revision History**

| Rev. Number | Date    | Substantive Change(s)   |
|-------------|---------|---|
| Rev. 1      | 01/2019 | <ul style="list-style-type: none"> <li>• Added the SD Host Controller information in the <a href="#">Table 2, "i.MX 6SLL Modules List"</a></li> <li>• Updated the input voltages for non-VBUS USB signals in the <a href="#">Table 7, "Absolute Maximum Ratings"</a></li> <li>• Added Vin/Vout for non-DDR pins in the <a href="#">Table 7, "Absolute Maximum Ratings"</a></li> <li>• Added a note in the <a href="#">Section 4.1.2, Thermal Resistance</a></li> <li>• Updated the <a href="#">Table 19, "XTALI and RTC_XTALI DC Parameters"</a></li> <li>• Updated the SD2 min and max values in the <a href="#">Table 40, "eMMC4.4/4.41 Interface Timing Specification"</a></li> <li>• Updated the remark of GPANAIO in the <a href="#">Table 63, "14 x 14 mm Supplies Contact Assignment"</a></li> <li>• Changed K5 to K6 for NVCC_DRAM and K6 to K5 for NVCC_DRAM_2P5 in the <a href="#">Table 63, "14 x 14 mm Supplies Contact Assignment"</a></li> <li>• Updated the IO and value of DRAM_SDCLK_0 in the <a href="#">Table 64, "14 x 14 mm Functional Contact Assignments"</a></li> </ul> |
| Rev. 0.2    | 11/2017 | <ul style="list-style-type: none"> <li>• Removed the HBM note in the <a href="#">Table 7, "Absolute Maximum Ratings"</a> and updated the ESD HBM values</li> <li>• Added a note in the <a href="#">Table 7, "Absolute Maximum Ratings"</a></li> </ul>   |
| Rev. 0.1    | 09/2017 | <ul style="list-style-type: none"> <li>• Added a note for HBM in the <a href="#">Table 7, "Absolute Maximum Ratings"</a></li> </ul>   |
| Rev. 0      | 04/2017 | <ul style="list-style-type: none"> <li>• Initial version</li> </ul>   |



### **How to Reach Us:**

**Home Page:**

[nxp.com](http://nxp.com)

**Web Support:**

[nxp.com/support](http://nxp.com/support)

Information in this document is provided solely to enable system and software implementers to use NXP products. There are no express or implied copyright licenses granted hereunder to design or fabricate any integrated circuits based on the information in this document. NXP reserves the right to make changes without further notice to any products herein.

NXP makes no warranty, representation, or guarantee regarding the suitability of its products for any particular purpose, nor does NXP assume any liability arising out of the application or use of any product or circuit, and specifically disclaims any and all liability, including without limitation consequential or incidental damages. "Typical" parameters that may be provided in NXP data sheets and/or specifications can and do vary in different applications, and actual performance may vary over time. All operating parameters, including "typicals" must be validated for each customer application by customer, customer's technical experts. NXP does not convey any license under its patent rights nor the rights of others. NXP sells products pursuant to standard terms and conditions of sale, which can be found at the following address: [nxp.com/SalesTermsandConditions](http://nxp.com/SalesTermsandConditions).

While NXP has implemented advanced security features, all products may be subject to unidentified vulnerabilities. Customers are responsible for the design and operation of their applications and products to reduce the effect of these vulnerabilities on customer's applications and products, and NXP accepts no liability for any vulnerability that is discovered. Customers should implement appropriate design and operating safeguards to minimize the risks associated with their applications and products.

NXP, the NXP logo, NXP SECURE CONNECTIONS FOR A SMARTER WORLD, COOLFLUX, EMBRACE, GREENCHIP, HITAG, I2C BUS, ICODE, JCOP, LIFE VIBES, MIFARE, MIFARE CLASSIC, MIFARE DESFire, MIFARE PLUS, MIFARE FLEX, MANTIS, MIFARE ULTRALIGHT, MIFARE4MOBILE, MIGLO, NTAG, ROADLINK, SMARTLX, SMARTMX, STARPLUG, TOPFET, TRENCHMOS, UCODE, Freescale, the Freescale logo, Altivec, C-5, CodeTEST, CodeWarrior, ColdFire, ColdFire+, C-Ware, the Energy Efficient Solutions logo, Kinetis, Layerscape, MagniV, mobileGT, PEG, PowerQUICC, Processor Expert, QorIQ, QorIQ Qonverge, Ready Play, SafeAssure, the SafeAssure logo, StarCore, Symphony, VortiQa, Vybrid, Airfast, BeeKit, BeeStack, CoreNet, Flexis, MXC, Platform in a Package, QUICC Engine, SMARTMOS, Tower, TurboLink, and UMEMS are trademarks of NXP B.V. All other product or service names are the property of their respective owners. These are contained within the 6 series RMs Arm, AMBA, Arm Powered, Cortex, Jazelle, Thumb, and TrustZone are registered trademarks of Arm Limited (or its subsidiaries) in the EU and/or elsewhere. CoreLink, CoreSight, and NEON are trademarks of Arm Limited (or its subsidiaries) in the EU and/or elsewhere. All rights reserved. Oracle and Java are registered trademarks of Oracle and/or its affiliates. The Power Architecture and Power.org word marks and the Power and Power.org logos and related marks are trademarks and service marks licensed by Power.org.

© 2017-2019 NXP B.V.

Document Number: IMX6SLLIEC

Rev. 1

01/2019



## Looking for pricing, stock, or lifecycle information?

Click below to explore more details on WIN SOURCE:

 [View MCIMX6V7DVN10AB on WIN SOURCE](#)

 [NXP / Nexperia Information](#)

## Optimize Your Supply Chain with WIN SOURCE Solutions

-  Global Sourcing Solution
-  Obsolete Management
-  Cost Control Management
-  Shortage Management
-  Alternative Solution
-  Excess Inventory Management