



**POWER MANAGEMENT**
**Description**

The EZ1085 series of high performance positive voltage regulators are designed for use in applications requiring low dropout performance at up to 3A. Additionally, the EZ1085 series provides excellent regulation over variations in line, load and temperature.

Outstanding features include low dropout performance at rated current, fast transient response, internal current limiting and thermal shutdown protection of the output device.

A variety of options are available for maximum flexibility: the EZ1085C has both fixed and adjustable voltage options and is designed for use in commercial applications; the EZ1085BC is adjustable only for cost sensitive commercial applications; the EZ1085I is adjustable only for industrial applications.

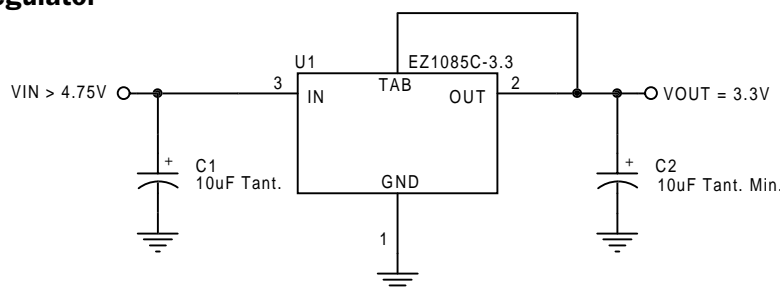
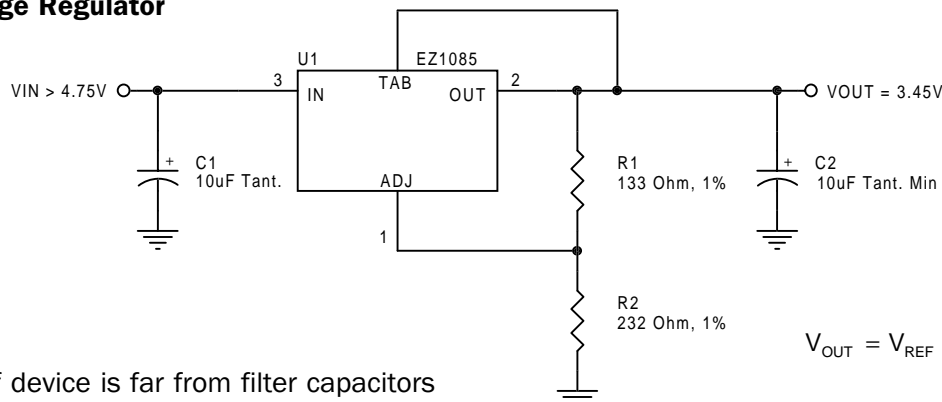
All devices are available in the popular TO-220 and TO-263 packages.

**Features**

- ◆ Low dropout voltage: 1.3V max. for EZ1085C, 1.4V max. for EZ1085I, 1.45V max. for EZ1085BC
- ◆ Full current rating over line and temperature
- ◆ Fast transient response
- ◆ ±2% total output regulation over line, load and temperature (±2.4% for EZ1085BC)
- ◆ Adjust pin current max 90µA over temperature
- ◆ Fixed/adjustable output voltage (EZ1085C)
- ◆ Line regulation typically 0.015%
- ◆ Load regulation typically 0.05%
- ◆ Industrial temperature range (EZ1085I)
- ◆ TO-220 and TO-263 packages

**Applications**

- ◆ Printer and plotter supplies
- ◆ Instrumentation
- ◆ Medical equipment
- ◆ Microcontroller systems
- ◆ Telecommunication systems
- ◆ Motherboards
- ◆ Switching supply post regulation

**Typical Application Circuit**
**Fixed Voltage Regulator**

**Adjustable Voltage Regulator**

**Notes:**

- (1) C1 needed if device is far from filter capacitors
- (2) C2 minimum value required for stability

$$V_{OUT} = V_{REF} \cdot \left(1 + \frac{R2}{R1}\right) + I_{ADJ} \cdot R2$$

**POWER MANAGEMENT**
**Absolute Maximum Ratings**

Parameter	Symbol	Maximum	Units
Input Supply Voltage	$V_{IN}$	7	V
Power Dissipation	$P_D$	Internally Limited	W
Thermal Resistance Junction to Case TO-220 TO-263	$\theta_{JC}$	3 3	°C/W
Thermal Resistance Junction to Ambient TO-220 TO-263	$\theta_{JA}$	50 60	°C/W
Operating Ambient Temperature Range EZ1085BC, EZ1085C EZ1085I	$T_A$	0 to 70 -40 to 85	°C
Operating Junction Temperature Range EZ1085BC, EZ1085C EZ1085I	$T_J$	0 to 125 -40 to 125	°C
Storage Temperature Range	$T_{STG}$	-65 to 150	°C
Lead Temperature (Soldering) 10 Sec.	$T_{LEAD}$	300	°C
ESD Rating (Human Body Model)	ESD	2	kV

**Electrical Characteristics**

Unless otherwise specified: Adj.  $V_{IN}$  = 2.75V to 7.0V and Adj.  $I_O$  = 10mA to 3A; Fixed  $V_{IN}$  = 4.75 to 7.0V and Fixed  $I_O$  = 0 mA to 3A.  
Values in **bold** apply over full operating ambient temperature range.

Parameter	Symbol	$V_{IN}$	$I_O$	Min	Typ	Max	Units
Output Voltage <sup>(1)</sup> EZ1085C-X.X	$V_O$	5V	0mA	0.99 $V_O$ <b>0.98<math>V_O</math></b>	$V_O$	1.01 $V_O$ <b>1.02<math>V_O</math></b>	V
Reference Voltage <sup>(1)</sup> EZ1085C, EZ1085I	$V_{REF}$	5V	10mA	1.238 <b>1.225</b>	1.250	1.262 <b>1.275</b>	V
Reference Voltage <sup>(1)</sup> EZ1085BC	$V_{RE}$	5V	10mA	1.233 <b>1.220</b>	1.250	1.267 <b>1.280</b>	V
Line Regulation <sup>(1)</sup>	$REG_{(LINE)}$		10mA		0.045	<b>0.2</b>	%
Load Regulation <sup>(1)</sup>	$REG_{(LOAD)}$	5V			0.15	<b>0.4</b>	%
Dropout Voltage <sup>(1)(2)</sup> EZ1085C, EZ1085C-X.X EZ1085I EZ1085BC	$V_D$		3A		1.20 1.20 1.20	<b>1.30</b> <b>1.40</b> <b>1.45</b>	V
Current Limit	$I_{CL}$			<b>3.0</b>	4.5		A

**POWER MANAGEMENT**
**Electrical Characteristics (Cont)**

Unless otherwise specified: Adj.  $V_{IN} = 2.75V$  to  $7.0V$  and Adj.  $I_O = 10mA$  to  $3A$ ; Fixed  $V_{IN} = 4.75$  to  $7.0V$  and Fixed  $I_O = 0$  mA to  $3A$ .  
Values in **bold** apply over full operating ambient temperature range.

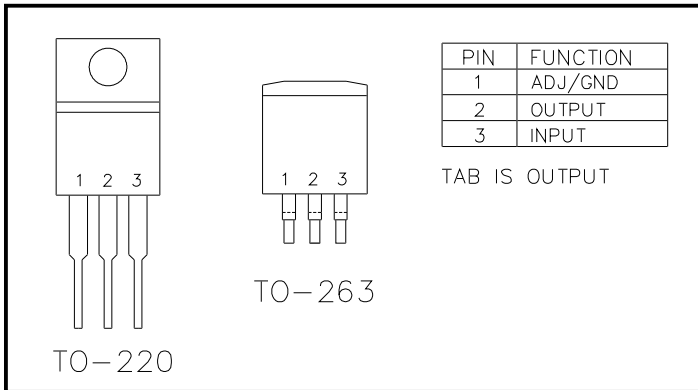
Parameter	Symbol	$V_{IN}$	$I_O$	Min	Typ	Max	Units
Quiescent Current Fixed Voltage Version	$I_Q$	5V			10	<b>14</b>	mA
Temperature Coefficient	$T_C$				0.005		%/°C
Adjust Pin Current	$I_{ADJ}$				55	<b>90</b>	$\mu A$
Adjust Pin Current Change	$\Delta I_{ADJ}$				0.2	<b>5</b>	$\mu A$
Temperature Stability	$T_S$	5V	0.5A		<b>0.5</b>		%
Minimum Load Current Adj Voltage Versions	$I_O$	5V			5	<b>10</b>	mA
RMS Output Noise <sup>(3)</sup>	$V_N$				0.003		% $V_O$
Ripple Rejection Ratio <sup>(4)</sup>	$R_A$	5V	3A	<b>60</b>	72		dB

**NOTES:**

- (1) Low duty cycle pulse testing with Kelvin connections required.
- (2)  $\Delta V_{OUT}, \Delta V_{REF} = 1\%$
- (3) Bandwidth of 10 Hz to 10 kHz.
- (4) 120 Hz input ripple ( $C_{ADJ}$  for ADJ =  $25\mu F$ ).

## POWER MANAGEMENT

### Pin Configurations



### Ordering Information

Device <sup>(1)(2)</sup>	Package
EZ1085BCM.TR EZ1085CM-X.X.TR EZ1085IM.TR	TO-263 <sup>(3)</sup>
EZ1085BCT EZ1085CT-X.X EZ1085IT	TO-220 <sup>(4)</sup>

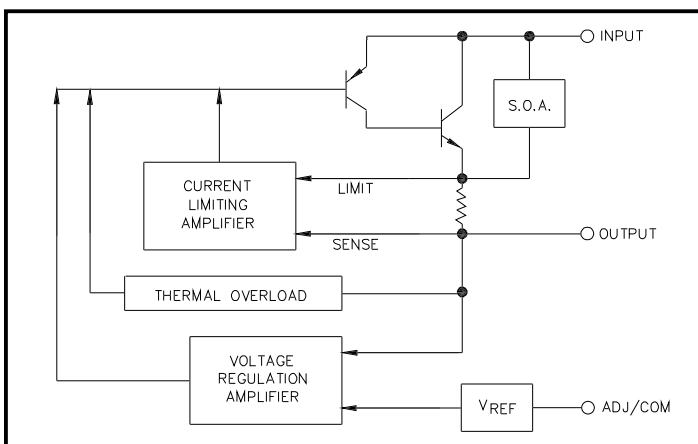
#### Notes:

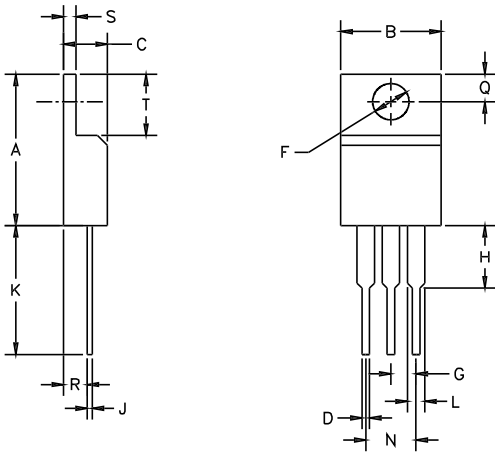
- (1) Where X.X denotes voltage options (EZ1085C only). Available voltages are: 2.5V, 3.3V and 3.45V. Leave blank for adjustable version (1.3 to 5.7V). Contact factory for additional voltage options.
- (2) Where C and I denote Commercial (0°C to 70°C) and Industrial (-40°C to 85°C) ambient temperature ranges.
- (3) Only available in tape and reel packaging. A reel contains 800 devices.
- (4) Only available in tube packaging. A tube contains 50 devices.

### Pin Descriptions

Pin	Pin Name	Pin Function
1	ADJUST	This pin is the negative side of the reference voltage for adjustable devices. Transient response can be improved by adding a small bypass capacitor from the adjust pin to ground.
	GROUND	This pin is the bottom end of the internal resistor feedback chain for fixed output voltage parts, and should be connected to ground.
2	OUTPUT	This is the power output of the device and is electrically connected to the TAB.
3	INPUT	This is the input supply pin for both the control circuitry and the pass device.

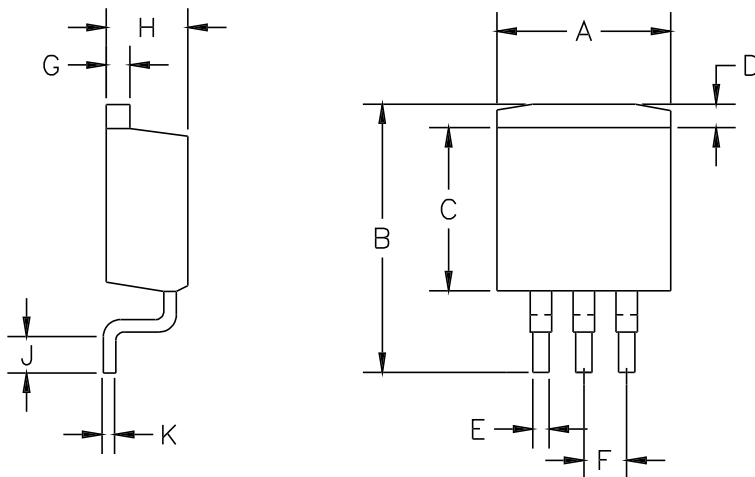
### Block Diagram



**POWER MANAGEMENT**
**Outline Drawing - TO-220**


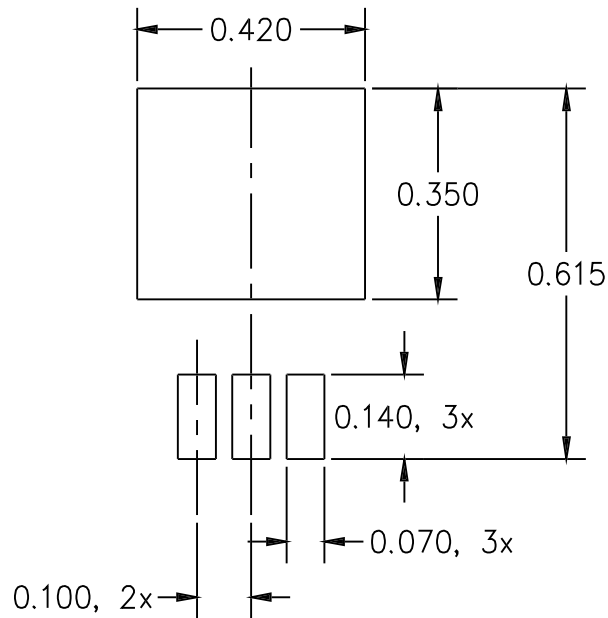
DIM <sup>N</sup>	INCHES		MM		NOTE
	MIN	MAX	MIN	MAX	
A	.560	.650	14.23	16.51	
B	.380	.420	9.66	10.66	
C	.140	.190	3.56	4.82	
D	.020	.045	0.51	1.14	
F	.139	.161	3.54	4.08	
G	.090	.110	2.29	2.79	
H	—	.250	—	6.35	
J	.012	.045	.31	1.14	
K	.500	.580	12.70	14.73	
L	.045	.070	1.15	1.77	
N	.190	.210	4.83	5.33	
Q	.100	.135	2.54	3.42	
R	.080	.115	2.04	2.92	
S	.020	.055	.51	1.39	
T	.230	.270	5.85	6.85	

JEDEC TO-220

**Outline Drawing - TO-263**


DIM <sup>N</sup>	INCHES		MM		NOTE
	MIN	MAX	MIN	MAX	
A	.380	.405	9.65	10.29	—
B	.575	.625	14.60	15.88	—
C	.325	.340	8.25	8.64	—
D	.055	.066	1.40	1.68	—
E	.020	.039	.50	.99	—
F	.100	BSC	2.54	BSC	—
G	.045	.055	1.14	1.40	—
H	.160	.190	4.06	4.83	—
J	.090	.110	2.28	2.80	—
K	.018	.029	.457	.736	—

JEDEC TO-263

**POWER MANAGEMENT****Land Pattern - TO-263**



NOTE: ALL DIMENSIONS ARE IN INCHES

**Contact Information**

Semtech Corporation  
Power Management Products Division  
652 Mitchell Rd., Newbury Park, CA 91320  
Phone: (805)498-2111 FAX (805)498-3804

## Looking for pricing, stock, or lifecycle information?

Click below to explore more details on WIN SOURCE:

-  [View EZ1085IT on WIN SOURCE](#)
-  [Semtech Corporation](#) Information

## Optimize Your Supply Chain with WIN SOURCE Solutions

-  Global Sourcing Solution
-  Obsolete Management
-  Cost Control Management
-  Shortage Management
-  Alternative Solution
-  Excess Inventory Management