



THE DATASHEET OF
29F0318-1SR-10



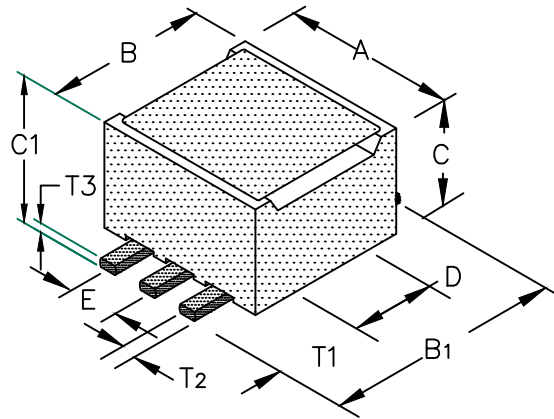
29F0318-1SR-10

PHYSICAL DIMENSIONS:

A	4.83 [.190]	± 0.08 [.003]
B	4.50 [.177]	+ 0.08 [.003] - 0.10 [.004]
B1	7.04 [.277]	± MAX
C	4.19 [.165]	± 0.10 [.004]
C1	4.83 [.190]	± MAX
D	2.24 [.088]	± 0.08 [.003]
E	1.27 [.050]	± 0.13 [.005]

WIRE DIMENSIONS:

T1	2.16 [.085]	± 0.25 [.010]
T2	0.50 [.020]	± TYP.
T3	0.25 [.010]	± TYP.

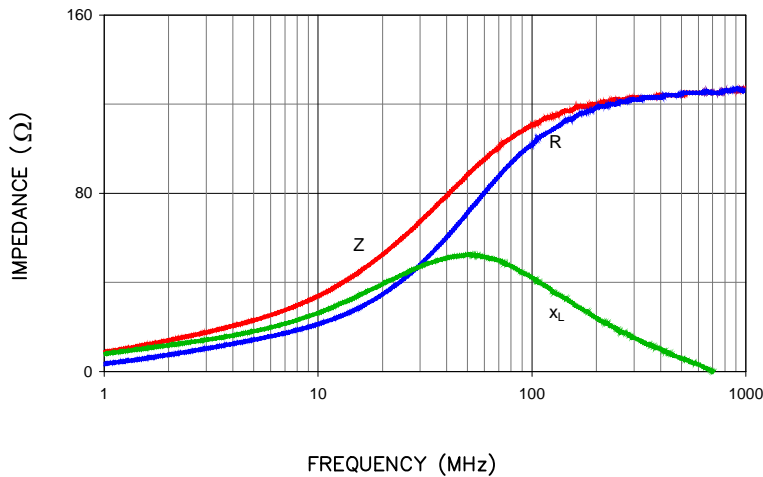


ELECTRICAL CHARACTERISTICS:			
Z @ 100MHz (Ω)	DCR (Ω)	Rated Current	
Nominal	119		
Minimum	90		
Maximum	149	.01	6000 mA

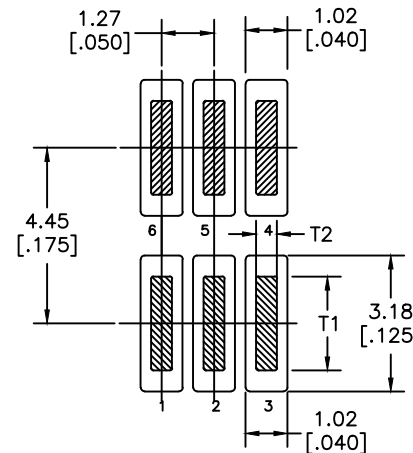
NOTES: UNLESS OTHERWISE SPECIFIED

1. TAPED AND REELED per CURRENT EIA SPECIFICATIONS 13" REELS, 900 PCS/REEL.
2. COMPONENTS SHOULD BE ADEQUATELY PREHEATED BEFORE SOLDERING.
3. REF. CARRIER TAPE SPECIFICATION # CART318-13.
4. TERMINATION FINISH IS 100% TIN.
5. OPERATION TEMPERATURE (INCLUDING SELF-HEATING): -40 ~ +125°C.

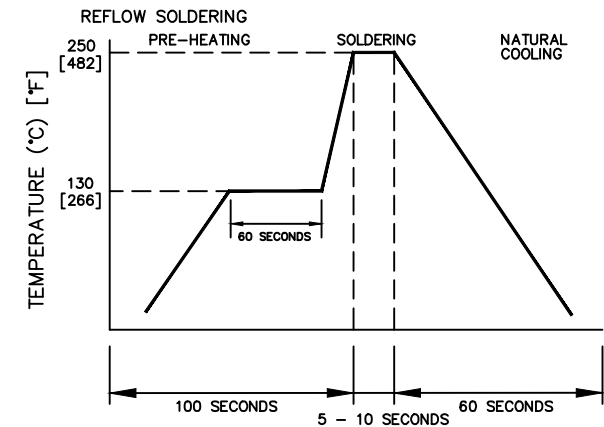
|Z| , R, AND X vs. FREQUENCY



LAND PATTERNS FOR REFLOW SOLDERING



RECOMMENDED SOLDERING CONDITIONS

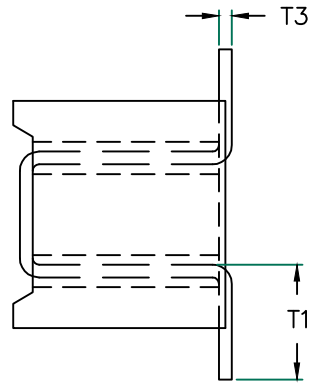
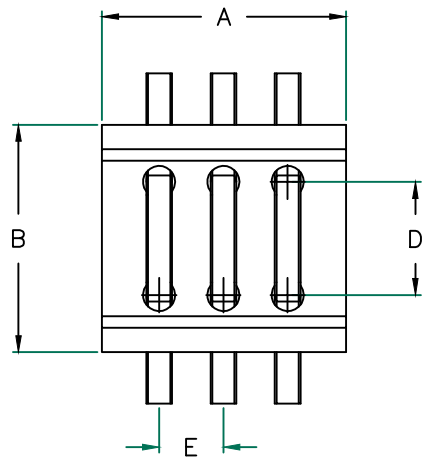


Z R L X



DIMENSIONS ARE IN mm (INCHES).				This print is the property of Laird Tech. and is loaned in confidence subject to return upon request and with the understanding that no copies shall be made without the written consent of Laird Tech. All rights to design or invention are reserved.	
E	ADD NOTE 5	08/30/12	QIU	PROJECT/PART NUMBER: 29F0318-1SR-10	REV E PART TYPE: ASSEMBLY DRAWN BY: JRK
D	UPDATE COMPANY LOGO	10/20/08	JRK		
C	UPDATE COMPANY LOGO	04/24/07	JRK		
B	CHANGE TOLS ON E DIMS ADD ROHS	03/19/07	JRK		
A	ORIGINAL DRAFT	04/30/04	JRK		
REV	DESCRIPTION	DATE	INT	DATE: 04/30/04	SCALE: NTS SHEET: 1 of 2
				CAD #	TOOL # -
				29F0318-1SR-10-E-1	



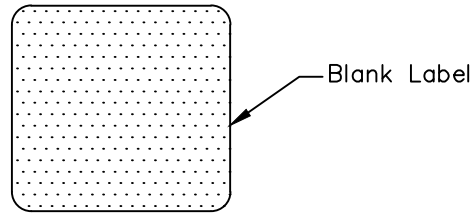
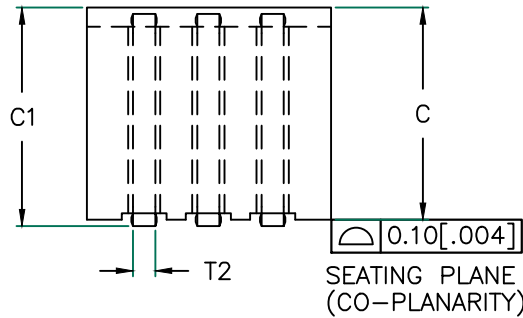


SCALE DRAWING 1:1

29F0318-1SR-10

ELECTRICAL TESTING

TEST:	Z	Z
# TURNS	1	1
AWG	22	22
FREQUENCY	25 MHz	100 MHz
NOMINAL	71 Ω	119 Ω
MINIMUM	- Ω	90 Ω
MAXIMUM	89 Ω	149 Ω
WEIGHT/1000	0.38 kgs.	0.83 lbs.



DIMENSIONS:

A	4.83 [.190]	±	0.08 [.003]
B	4.50 [.177]	+	0.08 [.003]
B1	7.04 [.277]	±	MAX
C	4.19 [.165]	±	0.10 [.004]
C1	4.83 [.190]	±	MAX
D	2.24 [.088]	±	0.08 [.003]
E	1.27 [.050]	±	0.13 [.005]

WIRE DIMENSIONS:

T ₁	2.16 [.085]	±	0.25 [.010]
T ₂	0.50 [.020]	±	TYP.
T ₃	0.25 [.010]	±	TYP.

NOTES: UNLESS OTHERWISE SPECIFIED



1. WIRE: REFERENCE STEWARD WIRE PURCHASE SPEC. W0818-1*
2. IMPEDANCE VALUES ARE GROSS, MEASURED USING W0818-* WIRE PLACED IN END OF HOLES w/ NO D.C. BIAS.
3. REFERENCE STEWARD CORE P/N 29H0318-*00.
4. NO MORE THAN 0.18 [.007] DIFFERENCE FROM THE LONGEST TO THE SHORTEST CONDUCTOR ON ONE SIDE.
5. TERMINATION FINISH IS 100% TIN.

RoHS

DIMENSIONS ARE IN mm (INCHES).				This print is the property of Laird Tech. and is loaned in confidence subject to return upon request and with the understanding that no copies shall be made without the written consent of Laird Tech. All rights to design or invention are reserved.				
E	ADD NOTE 5	08/30/12	QIU	PROJECT/PART NUMBER:		REV	PART TYPE:	DRAWN BY:
D	UPDATE COMPANY LOGO	10/20/08	JRK	29F0318-1SR-10		E	ASSEMBLY	JRK
C	UPDATE COMPANY LOGO	04/24/07	JRK	DATE: 04/30/04		SCALE:	NTS	SHEET:
B	CHANGE TOLS ON E DIMS ADD ROHS	03/19/07	JRK	CAD #		TOOL #	-	2 of 2
A	ORIGINAL DRAFT	04/30/04	JRK	29F0318-1SR-10-E-2				
REV	DESCRIPTION	DATE	INT					

Looking for pricing, stock, or lifecycle information?

Click below to explore more details on WIN SOURCE:

-  [View 29F0318-1SR-10 on WIN SOURCE](#)
-  [Laird-Signal Integrity Products Information](#)

Optimize Your Supply Chain with WIN SOURCE Solutions

-  Global Sourcing Solution
-  Obsolete Management
-  Cost Control Management
-  Shortage Management
-  Alternative Solution
-  Excess Inventory Management