



**THE DATASHEET OF
R114005000**

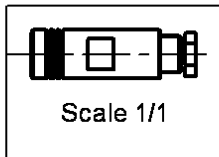
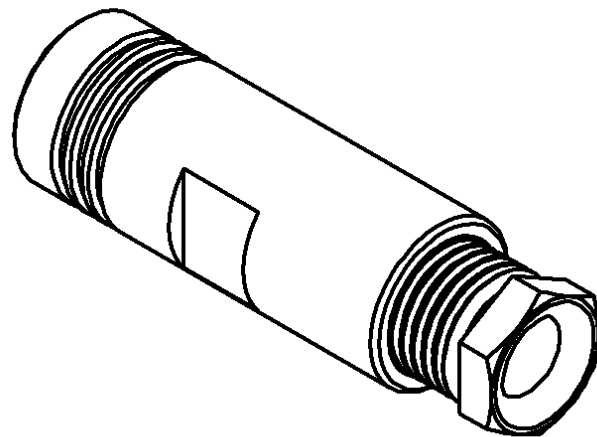
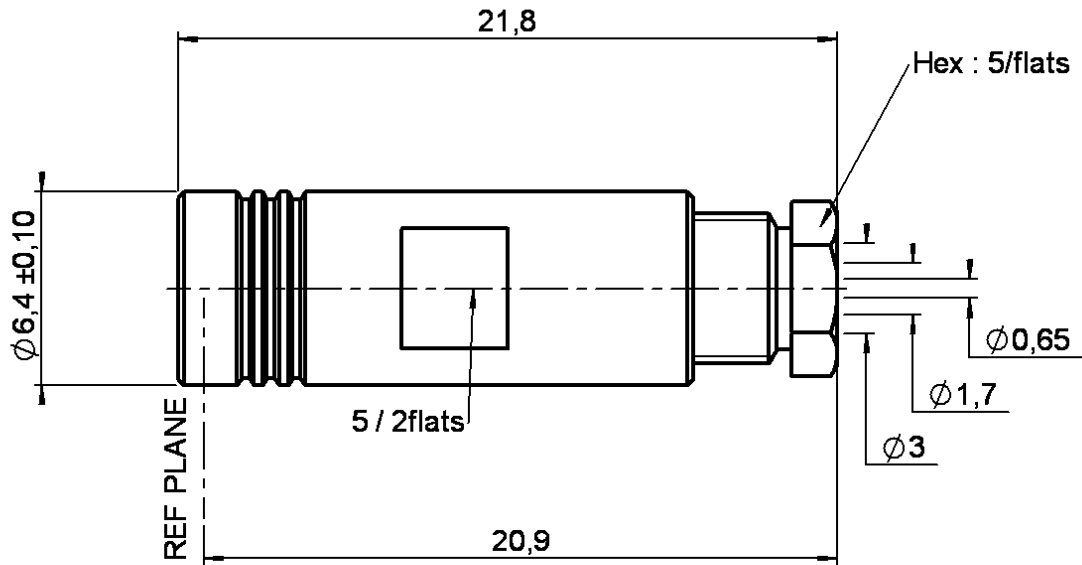


STRAIGHT PLUG CLAMP TYPE

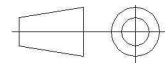
R114.005.000

CABLE 2.6/50+75 S

Series : SMB



All dimensions are in mm.



COMPONENTS	MATERIALS	PLATINGS (µm)
BODY	BRASS	GOLD 0.2 OVER NICKEL 2
CENTER CONTACT	BERYLLIUM COPPER	GOLD 1.3 OVER NICKEL 2
OUTER CONTACT	BERYLLIUM COPPER	GOLD 0.5 OVER NICKEL 2
INSULATOR	PTFE	
GASKET	-	
OTHERS PARTS	BRASS	GOLD 0.2 OVER NICKEL 2
-	-	-
-	-	-

Issue : 0721 T

In the effort to improve our products, we reserve the right to make changes judged to be necessary.



RADIALL®

STRAIGHT PLUG CLAMP TYPE

R114.005.000

CABLE 2.6/50+75 S

Series : SMB

PACKAGING

Standard	Unit	Other
100	'W' option	Contact us

SPECIFICATION

QAE 06-02

CABLE ASSEMBLY

Stripping	a	b	c	d	e	f
mm	2,50	0,00	4,50	4,50	1,20	0,00

ELECTRICAL CHARACTERISTICS

Impedance	50	Ω
Frequency	0-4	GHz
VSWR	1.25 + 0,0400	x F(GHz) Maxi
Insertion loss	0.25	\sqrt{F} (GHz) dB Maxi
RF leakage	- (57)	- F(GHz) dB mini
Voltage rating	335	Veff Maxi
Dielectric withstanding voltage	1000	Veff mini
Insulation resistance	1000	M Ω mini

Assembly instruction :

Recommended cable(s)

- RG 316
- RG 187
- RG 188
- KX 22A
- RG 179
- RG 174
- KX 3B
- RG 174 FTX
- RG 174
- RG 316
- ECO 316
- K02252D
- ECO 316 D

MECHANICAL CHARACTERISTICS

Center contact retention		
Axial force – Mating end	10	N mini
Axial force – Opposite end	10	N mini
Torque	NA	N.cm mini

Cable retention

- pull off **110** N mini
- torque **NA** N.cm

Recommended torque		
Mating	NA	N.cm
Panel nut	NA	N.cm
Clamp nut	40	N.cm
A/F clamp nut	5,0000	mm

TOOLING

Part Number	Description	Hexagon
.	.	.

Mating life	500	Cycles mini
Weight	3,0000	g

OTHERS CHARACTERISTICS

-

ENVIRONMENTAL

Operating temperature	-65/+165	$^{\circ}$ C
Hermetic seal	NA	Atm.cm3/s
Panel leakage	NA	

Issue : 0721 T

In the effort to improve our products, we reserve the right to make changes judged to be necessary.

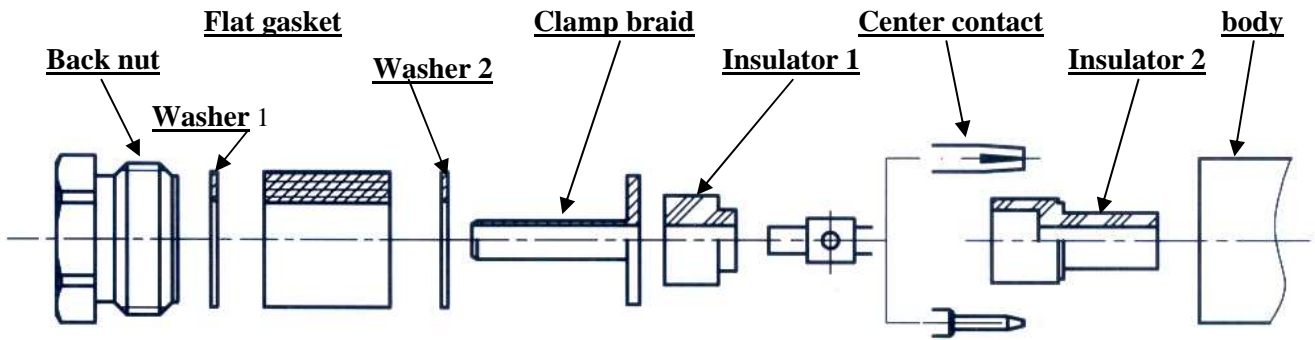


STRAIGHT PLUG CLAMP TYPE

CABLE 2.6/50+75 S

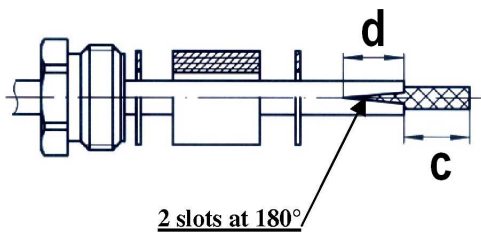
R114.005.000

Series : SMB



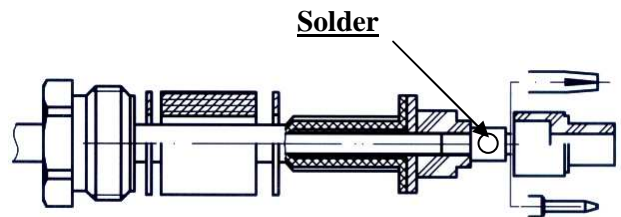
1

Slide the back nut, the washer 1, the flat gasket, the washer 2 onto the cable.
Strip the cable.
Cut 2 slots in the jacket if necessary.



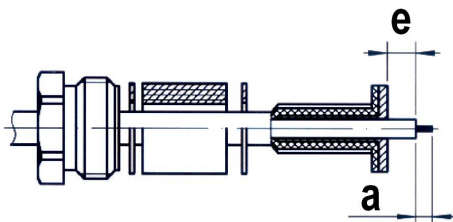
3

Slide the first insulator.
Slide the center contact and solder.
Slide the second insulator



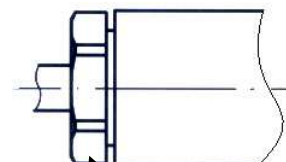
2

Slide the clamp braid sleeve.
Cut the braid flush with the clamp braid sleeve.
Strip off the diélectric.



4

Screw sub-assembly into the connector body with the adapted wrench.
Recommended coupling torque (see connector TDS).



Hex. : see connector TDS

Issue : 0721 T

In the effort to improve our products, we reserve the right to make changes judged to be necessary.



Looking for pricing, stock, or lifecycle information?

Click below to explore more details on WIN SOURCE:

 [View R114005000 on WIN SOURCE](#)

 [Radiall USA, Inc. Information](#)

Optimize Your Supply Chain with WIN SOURCE Solutions

-  Global Sourcing Solution
-  Obsolete Management
-  Cost Control Management
-  Shortage Management
-  Alternative Solution
-  Excess Inventory Management