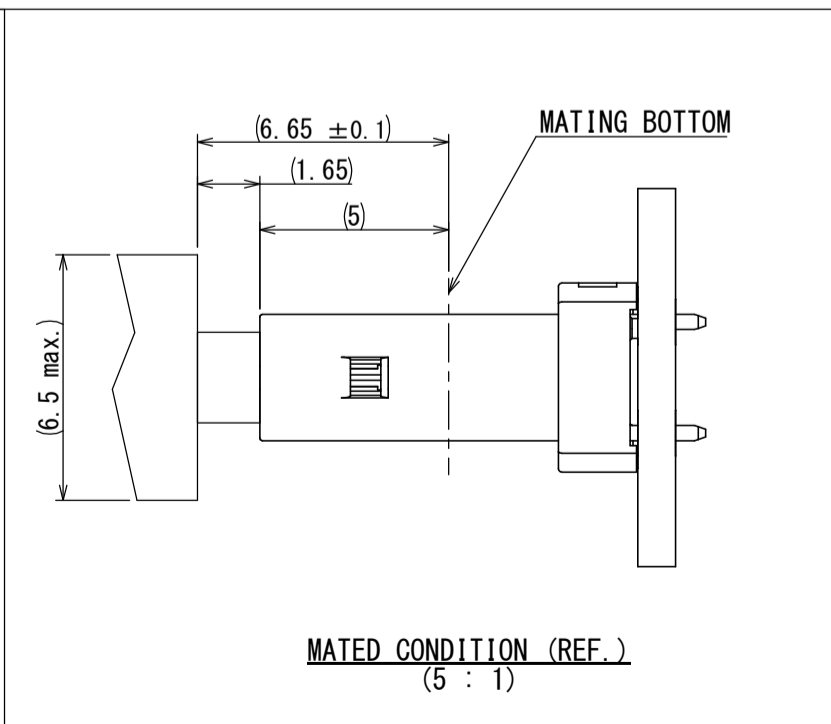
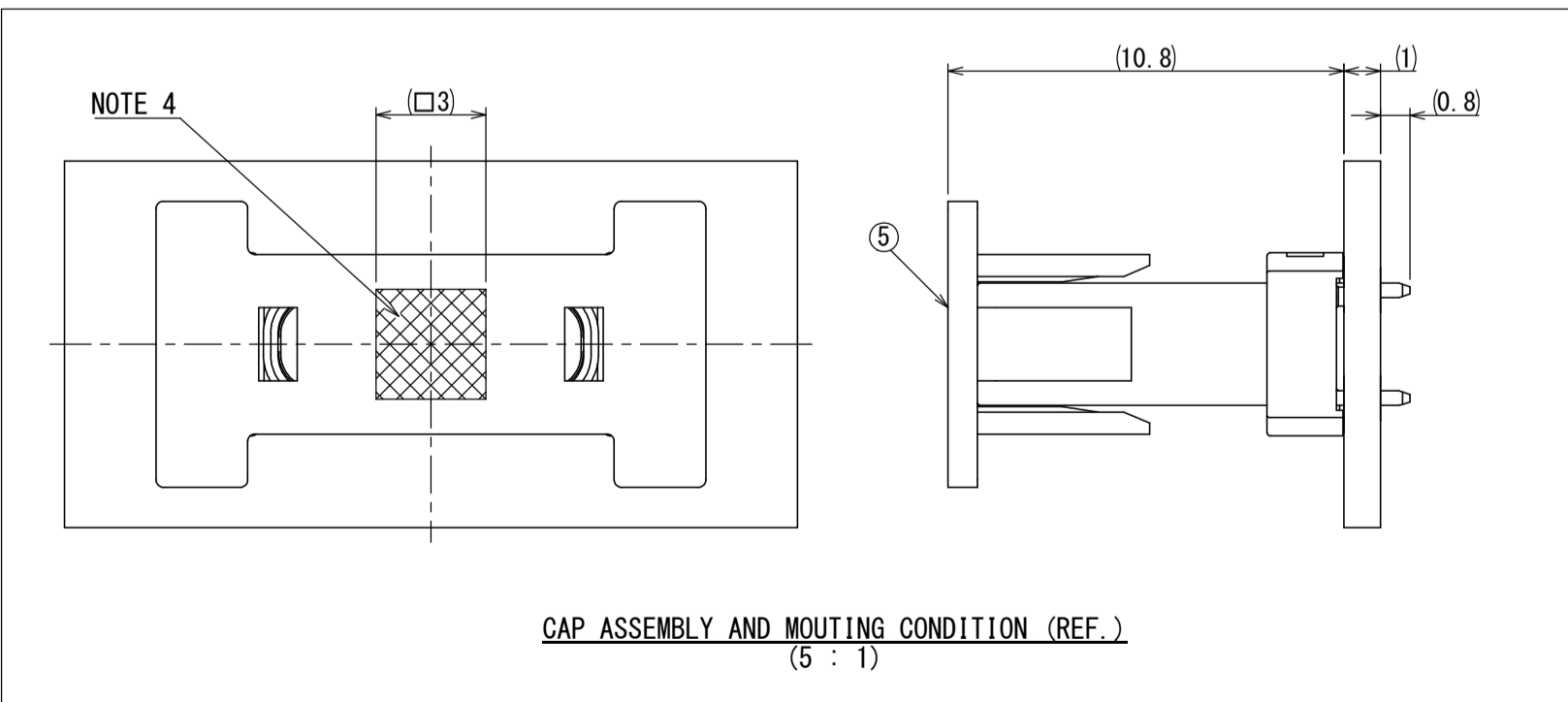
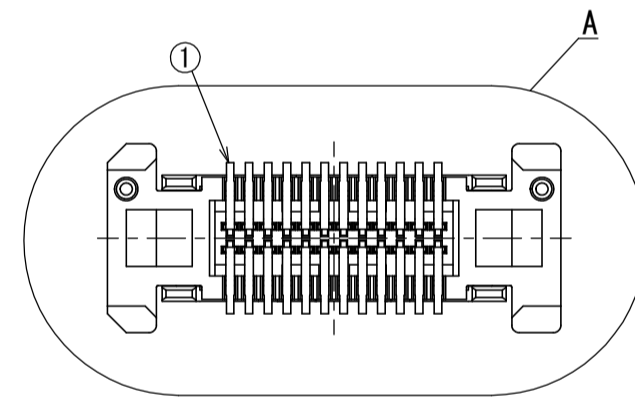
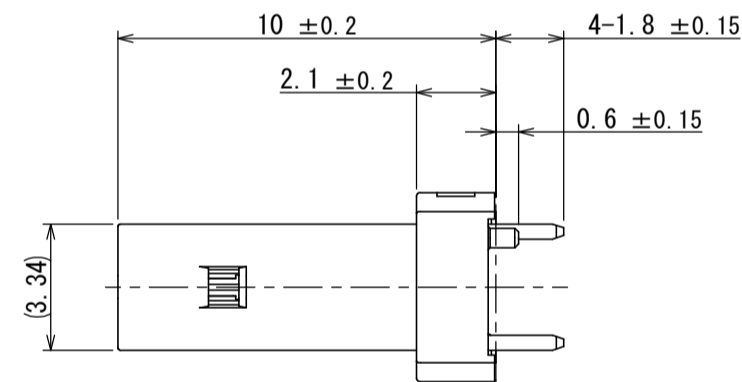
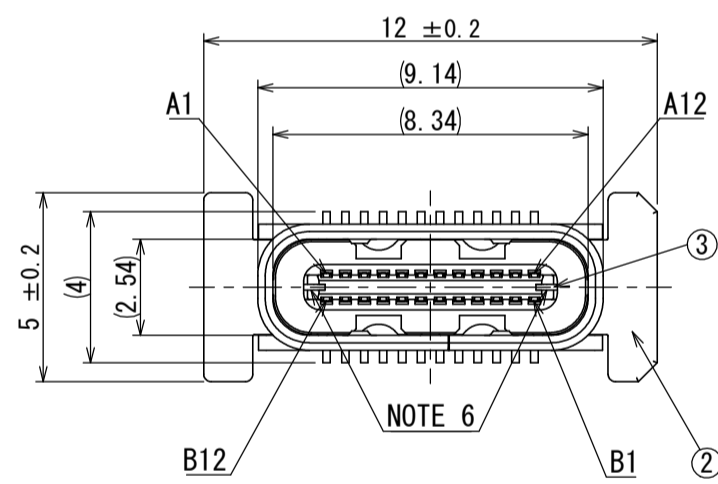
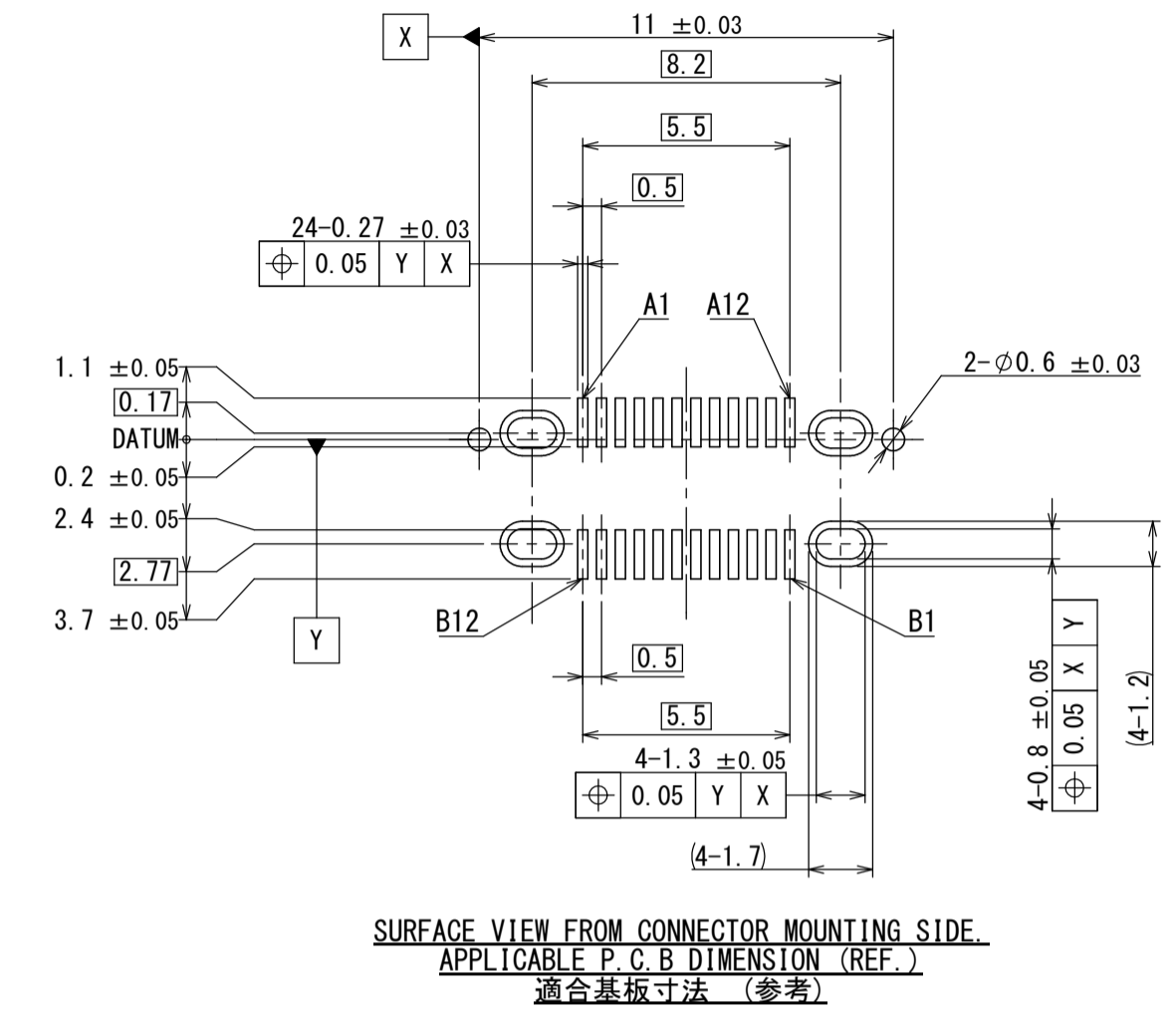
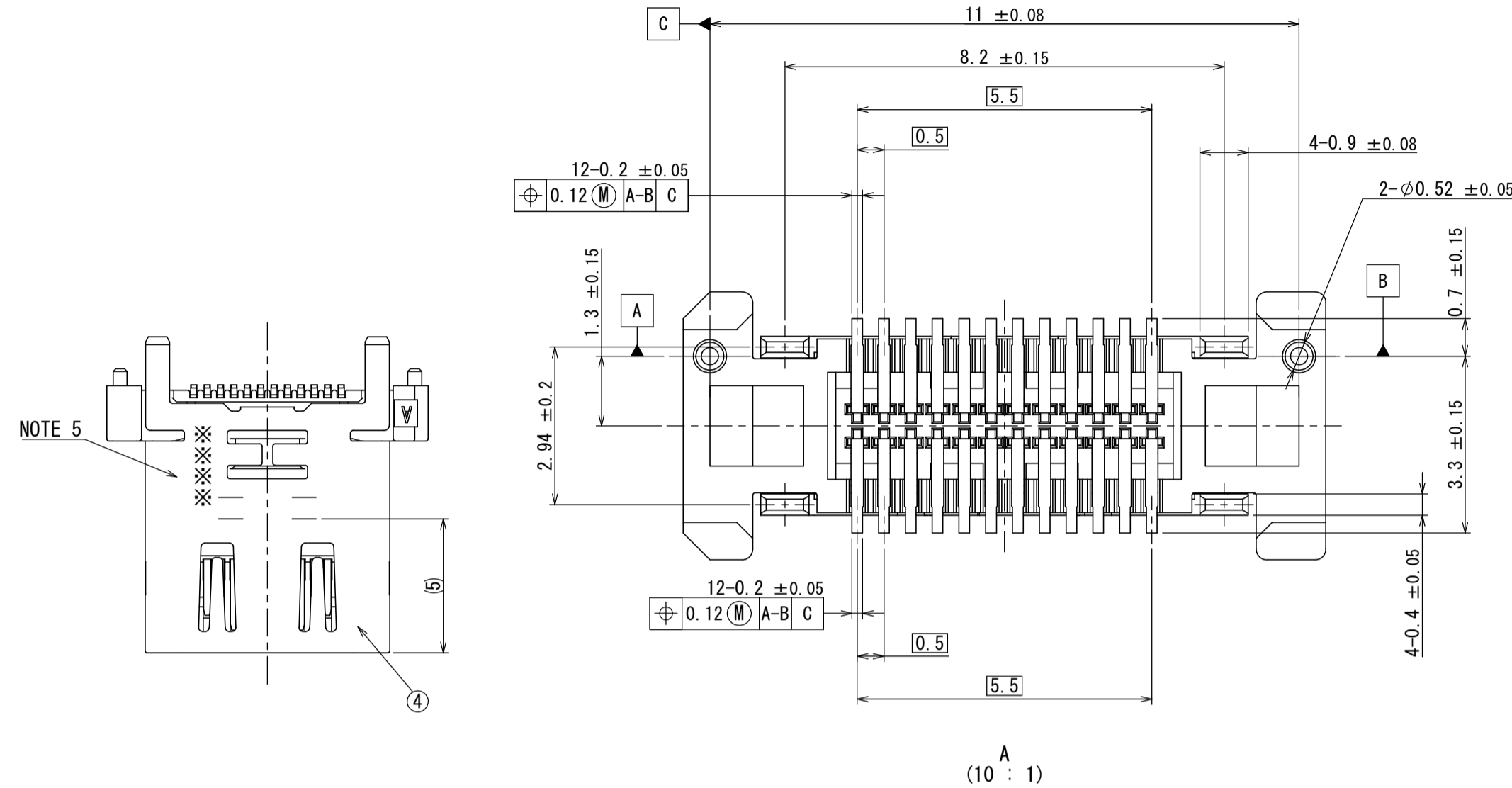




**THE DATASHEET OF
DX07S024WJ3R400**



版数 VER.	年月日 DATE	図 NO.	変更内容 DESCRIPTION	製 DR.	担 CHK.	査 APPD.	承認 APPD.
2	06/DEC/2016	019657	CORRECT AN ERROR	—	J. OOSAKA	—	Y. SAITOU
3	25/SEP/2018	026696	REVISED NOTE. etc	—	J. OOSAKA	—	Y. SAITOU



- NOTE 1. COPLANARITY OF SMT TERMINAL SHALL BE 0.1 MAXIMUM.
NOTE 2. MATING DIMENSIONS CONSIST OF "Universal Serial Bus Type-C Cable and Connector Specification Revision 1.3"
NOTE 3. THE SHELL LENGTH IS LESS THAN THE MINIMUM SPECIFIED BY THE USB TYPE C STANDARD. AS SUCH IT CANNOT INDEPENDENTLY BE GUARANTEED TO MEET ALL TYPE C MECHANICAL REQUIREMENTS. REFERENCE THE USB TYPE C SPECIFICATION RELEASE 1.3, SECTION 3.2.1, NOTE 7.
NOTE 4. VACUUM AREA.
NOTE 5. LOT NO. IS MARKED AS SHOWN IN BELOW FIGURE MARKING.
(EX.) 5 Y 0 3
-5 : MANUFACTURE YEAR. (LAST 1 DIGIT OF A. D.)
-Y : MANUFACTURE MONTH. (JAN. TO SEP. : 1 TO 9, OCT. : A, NOV. : B, DEC. : C)
-03 : MANUFACTURE DAY. (1 TO 31)
NOTE 6. METAL EXPOSED AREA SIZE COULD BE SLIGHTLY CHANGED BASED ON MOLDING PROCESS CONDITION IN EACHLOT, HOWEVER THIS WOULD NOT AFFECT CONNECTOR FUNCTION.
NOTE 7. PIN ASSIGNMENT (FRONT VIEW)

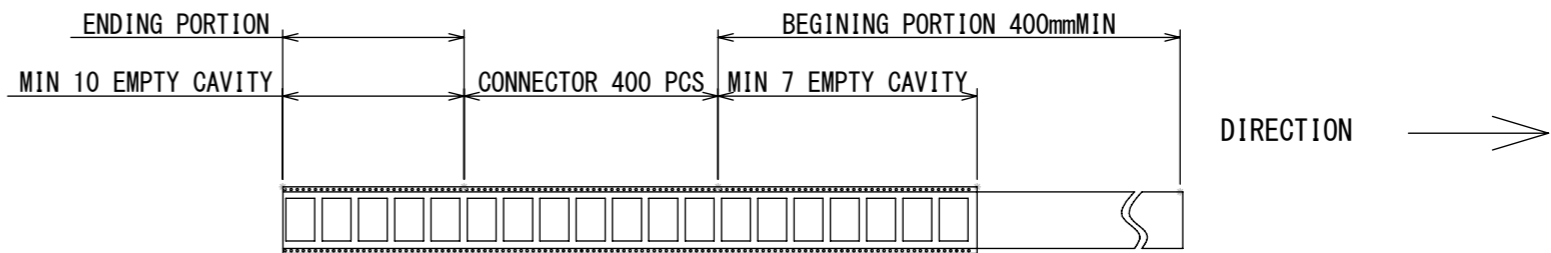
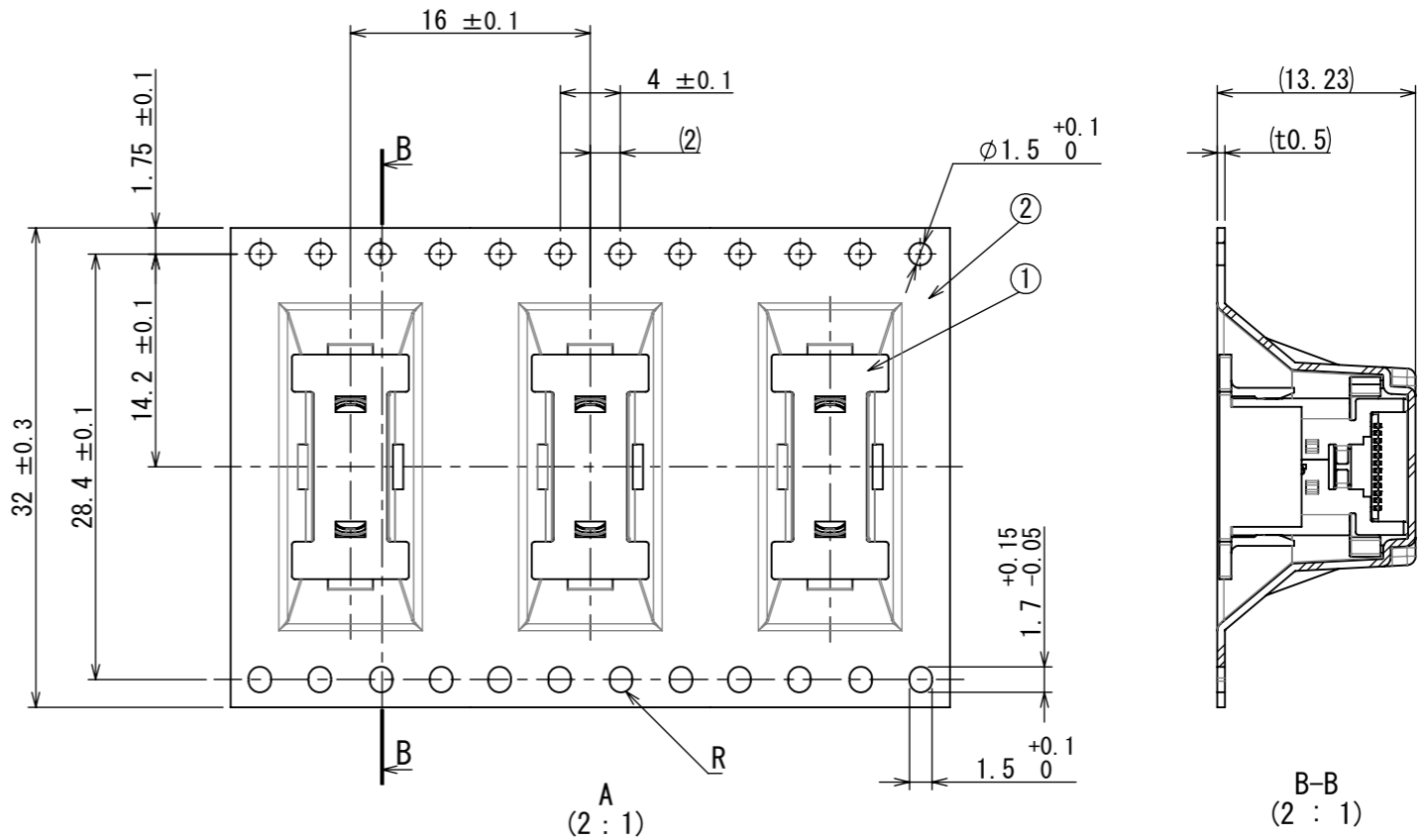
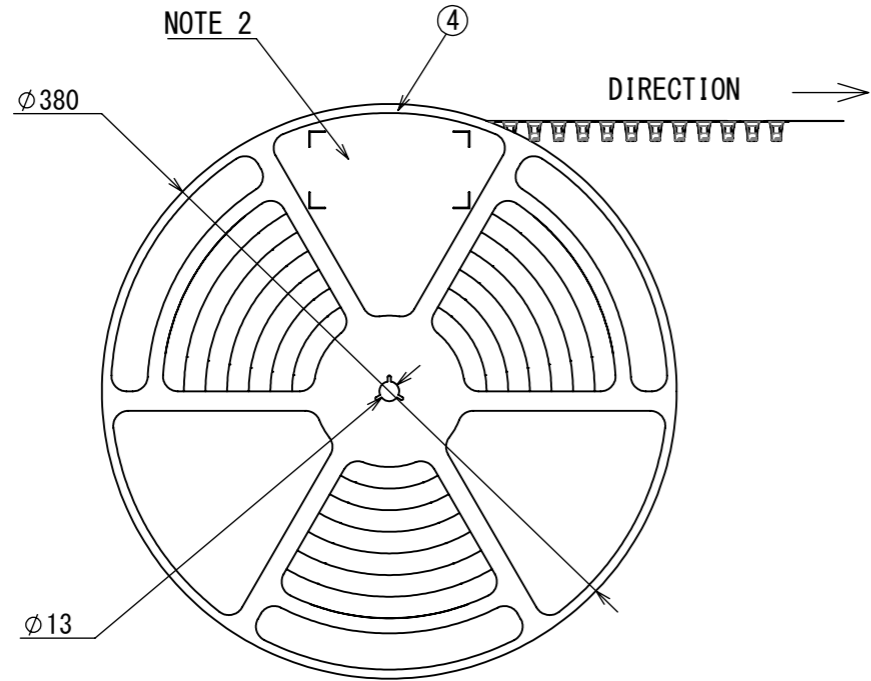
Pin No.	A1	A2	A3	A4	A5	A6	A7	A8	A9	A10	A11	A12
	GND	TX1+	TX1-	V _{BUS}	CC1	D+	D-	SBU1	V _{BUS}	RX2-	RX2+	GND
Pin No.	B12	B11	B10	B9	B8	B7	B6	B5	B4	B3	B2	B1
	GND	RX1+	RX1-	V _{BUS}	SBU2	D-	D+	CC2	V _{BUS}	TX2-	TX2+	GND

符号 No.	名称 DESCRIPTION	個数 QTY.	材 料 MATERIAL	仕上 FINISH	備 考 REMARKS
5	CAP	1	THERMOPLASTIC RESIN	COLOR:BLACK	
4	SHELL	1	STAINLESS STEEL	NICKEL PLATING	
3	MID PLATE	1	STAINLESS STEEL	-	
2	INSULATOR	1	THERMOPLASTIC RESIN	COLOR:BLACK	
1	CONTACT	24	COPPER ALLOY	CONTACT AREA NICKEL:2 μm MIN. PALLADIUM-NICKEL:0.75 μm MIN. GOLD FLASH:0.05 μm MIN. SOLDER TAILS: NICKEL:2 μm MIN. GOLD FLASH:0.03 μm MIN.	

仕様書(SPECIFICATION) JACS-30368	第1版(ORIGINAL DATE) 30/SEP/2016	尺度(SCALE) 5:1	シリーズ(SERIES) DX07	日本航空電子工業株式会社
一般公差(GENERAL TOLERANCE)	製図 DR.	名称(TITLE) DX07S024WJ3	References	
寸法(DIMENSION)	担当 CHK.	JAE CONNECTOR.COM		
±0.8	J. OOSAKA	JAPAN AVIATION ELECTRONICS INDUSTRY, LTD.		
× ±0.4	査閲 APPD.	図面番号(DRAWING NO.)		
×× ±0.1	承認 APPD.	SJ117928		
××× ±	Y. SAITOU	質量(MASS)	版数(VER.)	
	単位(UNIT): mm	3		

676111CS
 (ON DRAWING NO.)

版数 VER.	年月日 DATE	CN NO.	変更内容 DESCRIPTION	製図 DR.	担当 CHK.	査閲 APPD.	承認 APPD.
------------	-------------	--------	---------------------	-----------	------------	-------------	-------------



NOTE1. SUFFIX "R400" OF PART NUMBER "DX07S024WJ3R400" INDICATES 400PCS IN REEL.
 2. THE LABEL IN WHICH DESCRIPTION, QTY, LOT NO, EMBOSS CODE AS INDICATED.
 3. REFER TO THE DRAWING "SJ117928 (DX07S024WJ3)" FOR THE CONNECTOR DIMENSIONS.
 4. REEL FORM MAY DIFFER FROM THE DRAWING.

R-Pb (Pb-Free)

台灣航空電子股份有限公司		COUNTRY OF MANUFACTURE	
MADE IN *****			
品名	DX07S024WJ3R400		
収納数	400	個入	製造年月日
備考	TB3216		

COUNTRY OF MANUFACTURE

32: TAPE WIDTH 16: FEED PITCH NUMBER OF CONNNECTOR

4	REEL	1	PS	-	-
3	COVER TAPE	1	PET	-	-
2	CARRIER TAPE	1	PS	-	-
1	DX07S024WJ3	400	-	-	SJ117928
符号 NO.	名称 DESCRIPTION	個数 QTY.	材料 MATERIAL	仕上 FINISH	図番 DWG NO.

仕様書 (SPECIFICATION) JACS-30368	第1版 (ORIGINAL DATE) 30/SEP/2016	尺度 (SCALE) 1:5	シリーズ (SERIES) DX07	日本航空電子工業株式会社
一般公差 (GENERAL TOLERANCE)	製図 DR.	名称 (TITLE) DX07S024WJ3R400		JAE JAPAN AVIATION ELECTRONICS INDUSTRY, LTD.
寸法 (DIMENSION)	担当 CHK. Y. OOSAKA	質量 (MASS)		
角度 (ANGLES)	査閲 APPD.	図番 DRAWING NO. SJ117929		版数 (VER.) 1
×° ±	承認 APPD. Y. SAITOU	質量 (MASS)		
× × ± 0.4		質量 (MASS)		
× × × ± 0.1		質量 (MASS)		
× × × × ±		質量 (MASS)		

DCF-C-212H(12.08)



WISDOM承認 2016/10/14

Looking for pricing, stock, or lifecycle information?

Click below to explore more details on WIN SOURCE:

 [View DX07S024WJ3R400](#) on WIN SOURCE

 [JAE Electronics](#) Information

Optimize Your Supply Chain with WIN SOURCE Solutions

-  Global Sourcing Solution
-  Obsolete Management
-  Cost Control Management
-  Shortage Management
-  Alternative Solution
-  Excess Inventory Management