



**THE DATASHEET OF  
AD7767BRUZ-2-RL7**



### FEATURES

- Oversampled successive approximation (SAR) architecture**
- High performance ac and dc accuracy, low power**
  - 115.5 dB dynamic range, 32 kSPS (AD7767-2)
  - 112.5 dB dynamic range, 64 kSPS (AD7767-1)
  - 109.5 dB dynamic range, 128 kSPS (AD7767)
  - 118 dB THD
- Exceptionally low power**
  - 8.5 mW, 32 kSPS (AD7767-2)
  - 10.5 mW, 64 kSPS (AD7767-1)
  - 15 mW, 128 kSPS (AD7767)
- High dc accuracy**
  - 24 bits, no missing codes (NMC)
  - INL:  $\pm 3$  ppm (typical),  $\pm 7.6$  ppm (maximum)
- Low temperature drift**
  - Zero error drift: 15 nV/ $^{\circ}$ C
  - Gain error drift: 0.4 ppm/ $^{\circ}$ C
- On-chip low-pass FIR filter**
  - Linear phase response
  - Pass-band ripple:  $\pm 0.005$  dB
  - Stop-band attenuation: 100 dB
- 2.5 V supply with 1.8 V/2.5 V/3 V/3.6 V logic interface options**
- Flexible interfacing options**
  - Synchronization of multiple devices
  - Daisy-chain capability
  - Power-down function
- Temperature range:  $-40^{\circ}$ C to  $+105^{\circ}$ C**

### APPLICATIONS

- Low power PCI/USB data acquisition systems
- Low power wireless acquisition systems
- Vibration analysis
- Instrumentation
- High precision medical acquisition

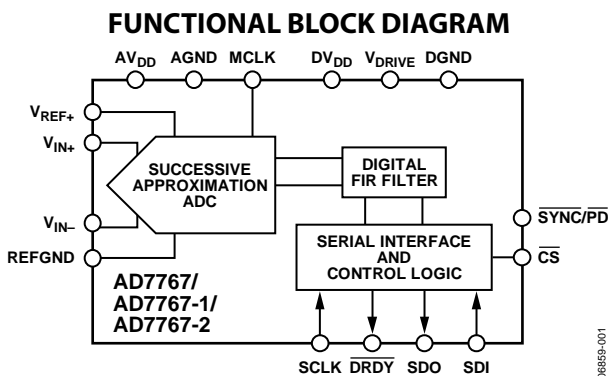


Figure 1.

### GENERAL DESCRIPTION

The AD7767/AD7767-1/AD7767-2 are high performance, 24-bit, oversampled SAR analog-to-digital converters (ADCs). The AD7767/AD7767-1/AD7767-2 combine the benefits of a large dynamic range and input bandwidth, consuming 15 mW, 10.5 mW, and 8.5 mW power, respectively, and are contained in a 16-lead TSSOP package.

Ideal for ultralow power data acquisition (such as PCI- and USB-based systems), the AD7767/AD7767-1/AD7767-2 provide 24-bit resolution. The combination of exceptional SNR, wide dynamic range, and outstanding dc accuracy make the AD7767/AD7767-1/AD7767-2 ideally suited for measuring small signal changes over a wide dynamic range. This is particularly suitable for applications where small changes on the input are measured on larger ac or dc signals. In such an application, the AD7767/AD7767-1/AD7767-2 accurately gather both ac and dc information.

The AD7767/AD7767-1/AD7767-2 include an on-board digital filter (complete with linear phase response) that acts to eliminate out-of-band noise by filtering the oversampled input voltage. The oversampled architecture also reduces front-end antialias requirements. Other features of the AD7767 include a SYNC/PD (synchronization/power-down) pin, allowing the synchronization of multiple AD7767 devices. The addition of an SDI pin provides the option of daisy chaining multiple AD7767 devices.

The AD7767/AD7767-1/AD7767-2 operate from a 2.5 V supply using a 5 V reference. The devices operate from  $-40^{\circ}$ C to  $+105^{\circ}$ C.

### RELATED DEVICES

Table 1. 24-Bit ADCs

| Part No.          | Description   |
|-------------------|---|
| AD7760            | 2.5 MSPS, 100 dB dynamic range, <sup>1</sup> on-board differential amp and reference buffer, parallel, variable decimation        |
| AD7762/<br>AD7763 | 625 kSPS, 109 dB dynamic range, <sup>1</sup> on-board differential amp and reference buffer, parallel/serial, variable decimation |
| AD7764            | 312 kSPS, 109 dB dynamic range, <sup>1</sup> on-board differential amp and reference buffer, variable decimation (pin)            |
| AD7765            | 156 kSPS, 112 dB dynamic range, <sup>1</sup> on-board differential amp and reference buffer, variable decimation (pin)            |
| AD7766            | 128 kSPS, 109.5 dB, <sup>1</sup> 15 mW, 16-bit INL, serial interface  |
| AD7766-1          | 64 kSPS 112.5 dB, <sup>1</sup> 10.5 mW, 16-bit INL, serial interface  |
| AD7766-2          | 32 kSPS, 115.5 dB, <sup>1</sup> 8.5 mW, 16-bit INL, serial interface  |

<sup>1</sup> Dynamic range at maximum output data rate.

#### Rev. C

Information furnished by Analog Devices is believed to be accurate and reliable. However, no responsibility is assumed by Analog Devices for its use, nor for any infringements of patents or other rights of third parties that may result from its use. Specifications subject to change without notice. No license is granted by implication or otherwise under any patent or patent rights of Analog Devices. Trademarks and registered trademarks are the property of their respective owners.

## TABLE OF CONTENTS

|   |    |  |    |
|---|----|--|----|
| Features .....                                    | 1  | Supply and Reference Voltages .....                    | 16 |
| Applications .....                                | 1  | AD7767 Interface .....                                 | 17 |
| Functional Block Diagram .....                    | 1  | Initial Power-Up .....                                 | 17 |
| General Description .....                         | 1  | Reading Data .....                                     | 17 |
| Related Devices .....                             | 1  | Power-Down, Reset, and Synchronization .....           | 17 |
| Revision History .....                            | 2  | Daisy Chaining .....                                   | 18 |
| Specifications .....                              | 3  | Reading Data in Daisy-Chain Mode .....                 | 18 |
| Timing Specifications .....                       | 5  | Choosing the SCLK Frequency .....                      | 18 |
| Timing Diagrams .....                             | 6  | Daisy-Chain Mode Configuration and Timing Diagrams ... | 19 |
| Absolute Maximum Ratings .....                    | 8  | Driving the AD7767 .....                               | 20 |
| ESD Caution .....                                 | 8  | Differential Signal Source .....                       | 20 |
| Pin Configuration and Function Descriptions ..... | 9  | Single-Ended Signal Source .....                       | 20 |
| Typical Performance Characteristics .....         | 10 | Antialiasing .....                                     | 21 |
| Terminology .....                                 | 14 | Power Dissipation .....                                | 21 |
| Theory of Operation .....                         | 15 | V <sub>REF+</sub> Input Signal .....                   | 22 |
| AD7767/AD7767-1/AD7767-2 Transfer Function .....  | 15 | Multiplexing Analog Input Channels .....               | 22 |
| Converter Operation .....                         | 15 | Outline Dimensions .....                               | 23 |
| Analog Input Structure .....                      | 16 | Ordering Guide .....                                   | 23 |

## REVISION HISTORY

### 5/10—Rev. B to Rev. C

|                                    |    |
|------------------------------------|----|
| Changes to Pin 8 Description ..... | 9  |
| Changes to Table 8 .....           | 20 |

### 3/09—Rev. A to Rev. B

|   |    |
|---|----|
| Changes to t <sub>SETTLING</sub> Parameter, Table 3 ..... | 5  |
| Changes to Table 7 .....                                  | 17 |

### 1/09—Rev. 0 to Rev. A

|  |    |
|--|----|
| Changes to Features Section .....  | 1  |
| Change to Intermodulation Distortion (IMD) Parameter and<br>Integral Nonlinearity Parameter, Table 2 ..... | 3  |
| Changes to Supply and Reference Voltages Section .....   | 16 |
| Changes to Choosing the SCLK Frequency Section .....   | 18 |
| Changes to Figure 24 .....   | 12 |
| Changes to Driving the AD7767 Section .....  | 20 |
| Changes to Single-Ended Signal Source Section .....  | 20 |
| Added Figure 41; Renumbered Sequentially .....   | 20 |
| Change to Figure 42 .....  | 21 |
| Added Table 8; Renumbered Sequentially .....   | 20 |
| Replaced V <sub>REF+</sub> Input Signal Section .....  | 22 |
| Replaced Figure 46 .....   | 22 |

### 8/07—Revision 0: Initial Version

## SPECIFICATIONS

$V_{DD} = DV_{DD} = 2.5 \text{ V} \pm 5\%$ ,  $V_{DRIVE} = 1.8 \text{ V to } 3.6 \text{ V}$ ,  $V_{REF} = 5 \text{ V}$ ,  $MCLK = 1 \text{ MHz}$ , common-mode input =  $V_{REF}/2$ ,  $T_A = -40^\circ\text{C to } +105^\circ\text{C}$ , unless otherwise noted.

**Table 2.**

| Parameter                                       | Test Conditions/Comments               | Min               | Typ         | Max               | Unit                  |
|---|--|-------------------|-------------|-------------------|-----------------------|
| OUTPUT DATA RATE (ODR)                          |  |                   |             |                   |                       |
| AD7767  | Decimate by 8                          |                   |             | 128               | kHz                   |
| AD7767-1  | Decimate by 16                         |                   |             | 64                | kHz                   |
| AD7767-2  | Decimate by 32                         |                   |             | 32                | kHz                   |
| ANALOG INPUT <sup>1</sup>                       |  |                   |             |                   |                       |
| Differential Input Voltage                      | $V_{IN+} - V_{IN-}$                    |                   |             | $\pm V_{REF}$     | V p-p                 |
| Absolute Input Voltage                          | $V_{IN+}$                              | -0.1              |             | $+V_{REF} + 0.1$  | V                     |
|   | $V_{IN-}$                              | -0.1              |             | $+V_{REF} + 0.1$  | V                     |
| Common-Mode Input Voltage                       |  | $V_{REF}/2 - 5\%$ | $V_{REF}/2$ | $V_{REF}/2 + 5\%$ | V                     |
| Input Capacitance                               |  |                   | 22          |                   | pF                    |
| DYNAMIC PERFORMANCE                             |  |                   |             |                   |                       |
| AD7767  | Decimate by 8, ODR = 128 kHz           |                   |             |                   |                       |
| Dynamic Range <sup>2</sup>                      | Shorted inputs                         | 108               | 109.5       |                   | dB                    |
| Signal-to-Noise Ratio (SNR) <sup>2</sup>        | Full-scale input amplitude, 1 kHz tone | 107               | 108.5       |                   | dB                    |
| Spurious-Free Dynamic Range (SFDR) <sup>2</sup> | Full-scale input amplitude, 1 kHz tone |                   | -128        | -116              | dB                    |
| Total Harmonic Distortion (THD) <sup>2</sup>    | Full-scale input amplitude, 1 kHz tone |                   | -118        | -105              | dB                    |
| Intermodulation Distortion (IMD) <sup>2</sup>   | Tone A = 49.7 kHz, Tone B = 50.3 kHz   |                   |             |                   |                       |
| Second-Order Terms                              |  |                   | -133        |                   | dB                    |
| Third-Order Terms                               |  |                   | -109        |                   | dB                    |
| AD7767-1  | Decimate by 16, ODR = 64 kHz           |                   |             |                   |                       |
| Dynamic Range <sup>2</sup>                      | Shorted inputs                         | 111               | 112.5       |                   | dB                    |
| Signal-to-Noise Ratio (SNR) <sup>2</sup>        | Full-scale input amplitude, 1 kHz tone | 110               | 111.5       |                   | dB                    |
| Spurious-Free Dynamic Range (SFDR) <sup>2</sup> | Full-scale input amplitude, 1 kHz tone |                   | -128        | -116              | dB                    |
| Total Harmonic Distortion (THD) <sup>2</sup>    | Full-scale input amplitude, 1 kHz tone |                   | -118        | -105              | dB                    |
| Intermodulation Distortion (IMD) <sup>2</sup>   | Tone A = 24.7 kHz, Tone B = 25.3 kHz   |                   |             |                   | dB                    |
| Second-Order Terms                              |  |                   | -133        |                   | dB                    |
| Third-Order Terms                               |  |                   | -108        |                   | dB                    |
| AD7767-2  | Decimate by 32, ODR = 32 kHz           |                   |             |                   |                       |
| Dynamic Range <sup>2</sup>                      | Shorted inputs                         | 114               | 115.5       |                   | dB                    |
| Signal-to-Noise Ratio (SNR) <sup>2</sup>        | Full-scale input amplitude, 1 kHz tone | 112               | 113.5       |                   | dB                    |
| Spurious-Free Dynamic Range (SFDR) <sup>2</sup> | Full-scale input amplitude, 1 kHz tone |                   | -128        | -116              | dB                    |
| Total Harmonic Distortion (THD) <sup>2</sup>    | Full-scale input amplitude, 1 kHz tone |                   | -118        | -105              | dB                    |
| Intermodulation Distortion (IMD) <sup>2</sup>   | Tone A = 11.7 kHz, Tone B = 12.3 kHz   |                   |             |                   | dB                    |
| Second-Order Terms                              |  |                   | -137        |                   | dB                    |
| Third-Order Terms                               |  |                   | -108        |                   | dB                    |
| DC ACCURACY <sup>1</sup>                        | For all devices                        |                   |             |                   |                       |
| Resolution                                      | No missing codes                       | 24                |             |                   | Bits                  |
| Differential Nonlinearity <sup>2</sup>          | Guaranteed monotonic to 24 bits        |                   |             |                   |                       |
| Integral Nonlinearity <sup>2</sup>              | 18-bit linearity                       |                   | $\pm 3$     | $\pm 7.6$         | ppm                   |
| Zero Error <sup>2</sup>                         |  |                   | 20          |                   | $\mu\text{V}$         |
| Gain Error <sup>2</sup>                         |  |                   | 0.0075      | 0.075             | % FS                  |
| Zero Error Drift <sup>2</sup>                   |  |                   | 15          |                   | nV/ $^\circ\text{C}$  |
| Gain Error Drift <sup>2</sup>                   |  |                   | 0.4         |                   | ppm/ $^\circ\text{C}$ |
| Common-Mode Rejection Ratio <sup>2</sup>        | 50 Hz tone                             |                   | -110        |                   | dB                    |

# AD7767

| Parameter                                  | Test Conditions/Comments                    | Min                      | Typ    | Max                       | Unit   |
|--|---|--------------------------|--------|---------------------------|--------|
| DIGITAL FILTER RESPONSE <sup>1</sup>       |   |                          |        |                           |        |
| Group Delay                                | Complete settling                           |                          | 37/ODR |                           | μs     |
| Settling Time (Latency)                    |   |                          | 74/ODR |                           | μs     |
| Pass-Band Ripple                           |   |                          |        | ±0.005                    | dB     |
| Pass Band                                  |   |                          |        | 0.453 × ODR               | Hz     |
| −3 dB Bandwidth                            |   |                          |        | 0.49 × ODR                | Hz     |
| Stop-Band Frequency                        |   |                          |        | 0.547 × ODR               | Hz     |
| Stop-Band Attenuation                      |   |                          | 100    |                           | dB     |
| REFERENCE INPUT <sup>1</sup>               |   |                          |        |                           |        |
| V <sub>REF+</sub> Input Voltage            |   | 2.4                      |        | 2 × AV <sub>DD</sub>      | V      |
| DIGITAL INPUTS (Logic Levels) <sup>1</sup> |   |                          |        |                           |        |
| V <sub>IL</sub>                            |   | −0.3                     |        | +0.3 × V <sub>DRIVE</sub> | V      |
| V <sub>IH</sub>                            |   | 0.7 × V <sub>DRIVE</sub> |        | V <sub>DRIVE</sub> + 0.3  | V      |
| Input Leakage Current                      |   |                          |        | ±1                        | μA/pin |
| Input Capacitance                          |   |                          | 5      |                           | pF     |
| Master Clock Rate                          |   |                          |        | 1.024                     | MHz    |
| Serial Clock Rate                          |   |                          |        | 1/t <sub>s</sub>          | Hz     |
| DIGITAL OUTPUTS <sup>1</sup>               |   |                          |        |                           |        |
| Data Format                                | Serial 24 bits, twos complement (MSB first) |                          |        |                           |        |
| V <sub>OL</sub>                            | I <sub>SINK</sub> = +500 μA                 |                          |        | 0.4                       | V      |
| V <sub>OH</sub>                            | I <sub>SOURCE</sub> = −500 μA               | V <sub>DRIVE</sub> − 0.3 |        |                           | V      |
| POWER REQUIREMENTS <sup>1</sup>            |   |                          |        |                           |        |
| AV <sub>DD</sub>                           | ± 5%  |                          | 2.5    |                           | V      |
| DV <sub>DD</sub>                           | ± 5%  |                          | 2.5    |                           | V      |
| V <sub>DRIVE</sub>                         |   | 1.7                      | 2.5    | 3.6                       | V      |
| CURRENT SPECIFICATIONS                     | MCLK = 1.024 MHz                            |                          |        |                           |        |
| AD7767 Operational Current                 | 128 kHz output data rate                    |                          |        |                           |        |
| AI <sub>DD</sub>                           |   |                          | 1.3    | 1.5                       | mA     |
| DI <sub>DD</sub>                           |   |                          | 3.9    | 4.8                       | mA     |
| I <sub>REF</sub>                           |   |                          | 0.35   | 0.425                     | mA     |
| AD7767-1 Operational Current               | 64 kHz output data rate                     |                          |        |                           |        |
| AI <sub>DD</sub>                           |   |                          | 1.3    | 1.5                       | mA     |
| DI <sub>DD</sub>                           |   |                          | 2.2    | 2.85                      | mA     |
| I <sub>REF</sub>                           |   |                          | 0.35   | 0.425                     | mA     |
| AD7767-2 Operational Current               | 32 kHz output data rate                     |                          |        |                           |        |
| AI <sub>DD</sub>                           |   |                          | 1.3    | 1.5                       | mA     |
| DI <sub>DD</sub>                           |   |                          | 1.37   | 1.86                      | mA     |
| I <sub>REF</sub>                           |   |                          | 0.35   | 0.425                     | mA     |
| Static Current with MCLK Stopped           | For all devices                             |                          |        |                           |        |
| AI <sub>DD</sub>                           |   |                          | 0.9    | 1                         | mA     |
| DI <sub>DD</sub>                           |   |                          | 1      | 93                        | μA     |
| Power-Down Mode Current                    | For all devices                             |                          |        |                           |        |
| AI <sub>DD</sub>                           |   |                          | 0.1    | 6                         | μA     |
| DI <sub>DD</sub>                           |   |                          | 1      | 93                        | μA     |
| POWER DISSIPATION                          | MCLK = 1.024 MHz                            |                          |        |                           |        |
| AD7767 Operational Power                   | 128 kHz output data rate                    |                          | 15     | 18                        | mW     |
| AD7767-1 Operational Power                 | 64 kHz output data rate                     |                          | 10.5   | 13                        | mW     |
| AD7767-2 Operational Power                 | 32 kHz output data rate                     |                          | 8.5    | 10.5                      | mW     |

<sup>1</sup> Specifications are for all devices, AD7767, AD7767-1, and AD7767-2.

<sup>2</sup> See the Terminology section.

## TIMING SPECIFICATIONS

$AV_{DD} = DV_{DD} = 2.5 V \pm 5\%$ ,  $V_{DRIVE} = 1.7 V$  to  $3.6 V$ ,  $V_{REF} = 5 V$ , common-mode input =  $V_{REF}/2$ ,  $T_A = -40^{\circ}C$  ( $T_{MIN}$ ) to  $+105^{\circ}C$  ( $T_{MAX}$ ), unless otherwise noted.<sup>1</sup>

Table 3.

| Parameter   | Limit at $t_{MIN}$ , $t_{MAX}$ | Unit       | Description   |
|---|--------------------------------|------------|---|
| <b>DRDY OPERATION</b>                                     |                                |            |   |
| $t_1$   | 510                            | ns typ     | MCLK rising edge to $\overline{DRDY}$ falling edge  |
| $t_2^2$   | 100                            | ns min     | MCLK high pulse width   |
| $t_3^2$   | 900                            | ns max     | MCLK low pulse width  |
| $t_4$   | 265                            | ns typ     | MCLK rising edge to $\overline{DRDY}$ rising edge (AD7767)  |
|   | 128                            | ns typ     | MCLK rising edge to $\overline{DRDY}$ rising edge (AD7767-1)  |
|   | 71                             | ns typ     | MCLK rising edge to $\overline{DRDY}$ rising edge (AD7767-2)  |
| $t_5$   | 294                            | ns typ     | $\overline{DRDY}$ pulse width (AD7767)  |
|   | 435                            | ns typ     | $\overline{DRDY}$ pulse width (AD7767-1)  |
|   | 492                            | ns typ     | $\overline{DRDY}$ pulse width (AD7767-2)  |
| $t_{READ}^3$  | $t_{\overline{DRDY}} - t_5$    | ns typ     | $\overline{DRDY}$ low period, read data during this period  |
| $t_{\overline{DRDY}}^3$                                   | $n \times 8 \times t_{MCLK}$   | ns typ     | $\overline{DRDY}$ period  |
| <b>Read OPERATION</b>                                     |                                |            |   |
| $t_6$   | 0                              | ns min     | $\overline{DRDY}$ falling edge to $\overline{CS}$ setup time  |
| $t_7$   | 6                              | ns max     | $\overline{CS}$ falling edge to SDO tristate disabled   |
| $t_8$   | 60                             | ns max     | Data access time after SCLK falling edge ( $V_{DRIVE} = 1.7 V$ )                                      |
|   | 50                             | ns max     | Data access time after SCLK falling edge ( $V_{DRIVE} = 2.3 V$ )                                      |
|   | 25                             | ns max     | Data access time after SCLK falling edge ( $V_{DRIVE} = 2.7 V$ )                                      |
|   | 24                             | ns max     | Data access time after SCLK falling edge ( $V_{DRIVE} = 3.0 V$ )                                      |
| $t_9$   | 10                             | ns min     | SCLK falling edge to data valid hold time ( $V_{DRIVE} = 3.6 V$ )                                     |
| $t_{10}$  | 10                             | ns min     | SCLK high pulse width   |
| $t_{11}$  | 10                             | ns min     | SCLK low pulse width  |
| $t_{SCLK}$  | $1/t_8$                        | sec min    | Minimum SCLK period   |
| $t_{12}$  | 6                              | ns max     | Bus relinquish time after $\overline{CS}$ rising edge   |
| $t_{13}$  | 0                              | ns min     | $\overline{CS}$ rising edge to $\overline{DRDY}$ rising edge  |
| <b>Read OPERATION WITH <math>\overline{CS}</math> LOW</b> |                                |            |   |
| $t_{14}$  | 0                              | ns min     | $\overline{DRDY}$ falling edge to data valid setup time   |
| $t_{15}$  | 0                              | ns max     | $\overline{DRDY}$ rising edge to data valid hold time   |
| <b>DAISY-CHAIN OPERATION</b>                              |                                |            |   |
| $t_{16}$  | 1                              | ns min     | SDI valid to SCLK falling edge setup time   |
| $t_{17}$  | 2                              | ns max     | SCLK falling edge to SDI valid hold time  |
| <b>SYNC/PD OPERATION</b>                                  |                                |            |   |
| $t_{18}$  | 1                              | ns typ     | $\overline{SYNC}/\overline{PD}$ falling edge to MCLK rising edge                                      |
| $t_{19}$  | 20                             | ns typ     | MCLK rising edge to $\overline{DRDY}$ rising edge going into $\overline{SYNC}/\overline{PD}$ mode     |
| $t_{20}$  | 1                              | ns min     | $\overline{SYNC}/\overline{PD}$ rising edge to MCLK rising edge                                       |
| $t_{21}$  | 510                            | ns typ     | MCLK rising edge to $\overline{DRDY}$ falling edge coming out of $\overline{SYNC}/\overline{PD}$ mode |
| $t_{SETTLING}^3$  | $(592 \times n) + 2$           | $t_{MCLK}$ | Filter settling time after a reset or power-down  |

<sup>1</sup> Sample tested during initial release to ensure compliance. All input signals are specified with  $t_r = t_f = 5 ns$  (10% to 90% of  $DV_{DD}$ ) and timed from a voltage level of 1.7 V.

<sup>2</sup>  $t_2$  and  $t_3$  allow a ~90% to 10% duty cycle to be used for the MCLK input, where the minimum is 10% for the clock high time and 90% for MCLK low time. The maximum MCLK frequency is 1.024 MHz.

<sup>3</sup>  $n = 1$  for AD7767,  $n = 2$  for the AD7767-1,  $n = 4$  for the AD7767-2.

## TIMING DIAGRAMS

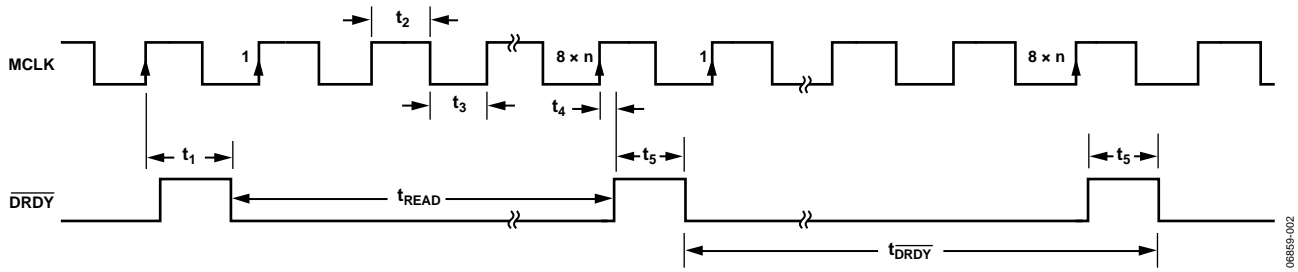


Figure 2.  $\overline{DRDY}$  vs. MCLK Timing Diagram,  $n = 1$  for AD7767 (Decimate by 8),  $n = 2$  for AD7767-1 (Decimate by 16),  $n = 4$  for AD7767-2 (Decimate by 32)

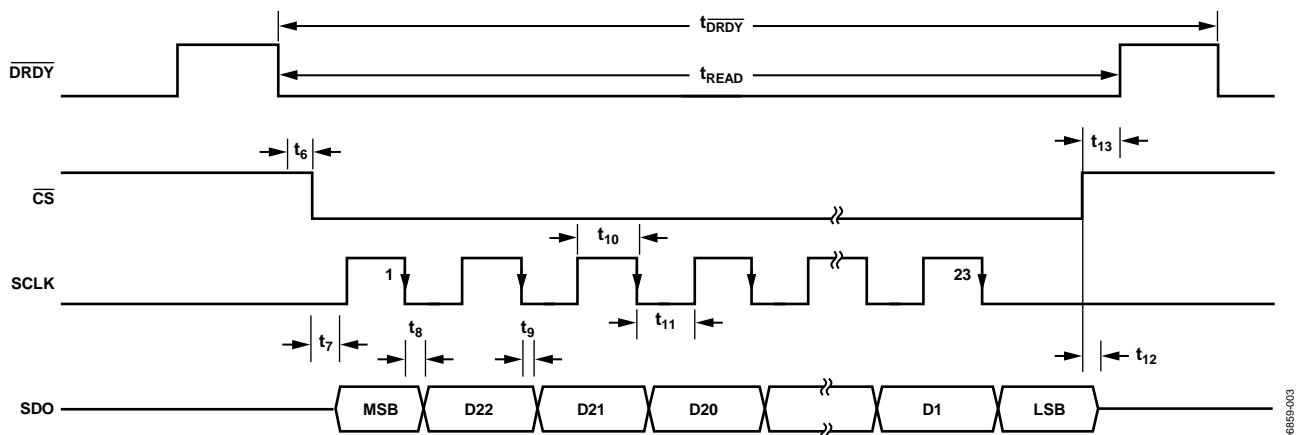


Figure 3. Serial Timing Diagram, Reading Data Using  $\overline{CS}$

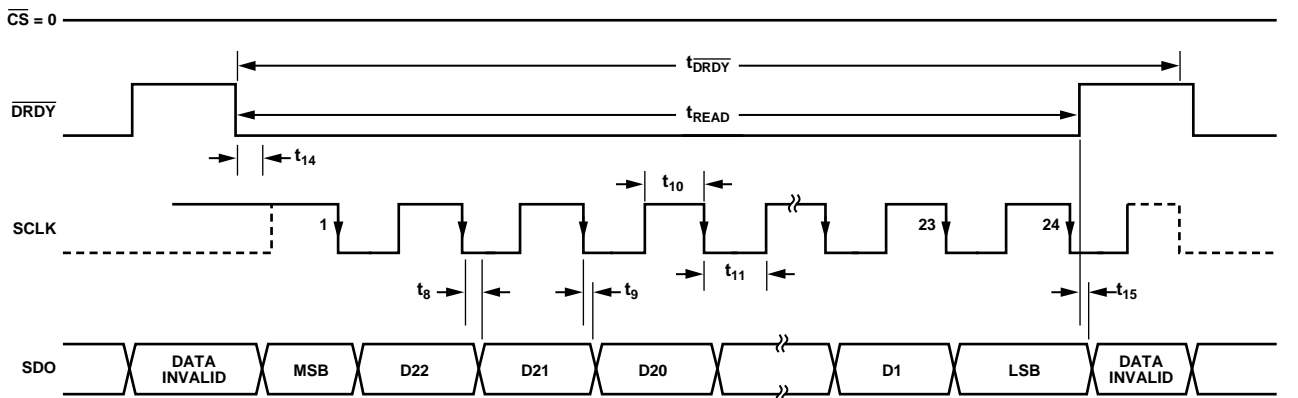


Figure 4. Serial Timing Diagram, Reading Data Setting  $\overline{CS}$  Logic Low

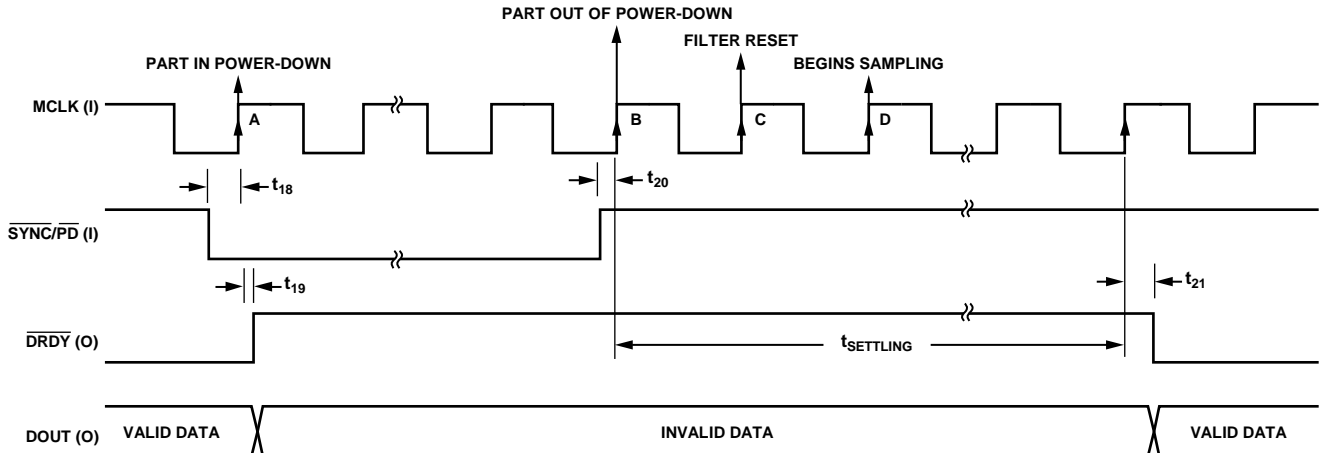


Figure 5. Reset, Synchronization, and Power-Down Timing (For More Information, See the Power-Down, Reset, and Synchronization Section)

04859-005

## ABSOLUTE MAXIMUM RATINGS

$T_A = 25^\circ\text{C}$ , unless otherwise noted.

Table 4.

| Parameter   | Rating                        |
|---|-------------------------------|
| $AV_{DD}$ to AGND                                     | -0.3 V to +3 V                |
| $DV_{DD}$ to DGND                                     | -0.3 V to +3 V                |
| $AV_{DD}$ to $DV_{DD}$                                | -0.3 V to +0.3 V              |
| $V_{REF+}$ to REFGND                                  | -0.3 V to +7 V                |
| REFGND to AGND  | -0.3 V to +0.3 V              |
| $V_{DRIVE}$ to DGND                                   | -0.3 V to +6 V                |
| $V_{IN+}$ , $V_{IN-}$ to AGND                         | -0.3 V to $V_{REF+} + 0.3$ V  |
| Digital Inputs to DGND                                | -0.3 V to $V_{DRIVE} + 0.3$ V |
| Digital Outputs to DGND                               | -0.3 V to $V_{DRIVE} + 0.3$ V |
| AGND to DGND  | -0.3 V to +0.3 V              |
| Input Current to Any Pin Except Supplies <sup>1</sup> | $\pm 10$ mA                   |
| Operating Temperature Range                           | -40°C to +105°C               |
| Storage Temperature Range                             | -65°C to +150°C               |
| Junction Temperature                                  | 150°C                         |
| TSSOP Package   |                               |
| $\theta_{JA}$ Thermal Impedance                       | 150.4°C/W                     |
| $\theta_{JC}$ Thermal Impedance                       | 27.6°C/W                      |
| Lead Temperature, Soldering                           |                               |
| Vapor Phase (60 sec)                                  | 215°C                         |
| Infrared (15 sec)                                     | 220°C                         |
| ESD   | 1 kV                          |

<sup>1</sup> Transient currents of up to 100 mA do not cause SCR latch-up.

Stresses above those listed under Absolute Maximum Ratings may cause permanent damage to the device. This is a stress rating only; functional operation of the device at these or any other conditions above those indicated in the operational section of this specification is not implied. Exposure to absolute maximum rating conditions for extended periods may affect device reliability.

### ESD CAUTION



**ESD (electrostatic discharge) sensitive device.** Charged devices and circuit boards can discharge without detection. Although this product features patented or proprietary protection circuitry, damage may occur on devices subjected to high energy ESD. Therefore, proper ESD precautions should be taken to avoid performance degradation or loss of functionality.

## PIN CONFIGURATION AND FUNCTION DESCRIPTIONS

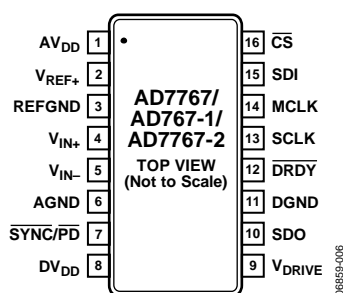


Figure 6. 16-Lead TSSOP Pin Configuration

Table 5. Pin Function Descriptions

| Pin No. | Mnemonic           | Description   |
|---------|--------------------|---|
| 1       | AV <sub>DD</sub>   | +2.5 V Analog Power Supply.   |
| 2       | V <sub>REF+</sub>  | Reference Input for the AD7767. An external reference must be applied to this input pin. The V <sub>REF+</sub> input can range from 2.4 V to 5 V. The reference voltage input is independent of the voltage magnitude applied to the AV <sub>DD</sub> pin.  |
| 3       | REFVND             | Reference Ground. Ground connection for the reference voltage. The input reference voltage (V <sub>REF+</sub> ) should be decoupled to this pin.  |
| 4       | V <sub>IN+</sub>   | Positive Input of the Differential Analog Input.  |
| 5       | V <sub>IN-</sub>   | Negative Input of the Differential Analog Input.  |
| 6       | AGND               | Power Supply Ground for Analog Circuitry.   |
| 7       | SYNC/PD            | Synchronization and Power-Down Input Pin. This pin has dual functionality. It can be used to synchronize multiple AD7767 devices and/or to put the AD7767 device into power-down mode. See the Power-Down, Reset, and Synchronization section for further details.  |
| 8       | DV <sub>DD</sub>   | 2.5 V Digital Power Supply Input. In cases where an logic voltage of 2.5 V is used for interfacing (2.5 V applied to V <sub>DRIVE</sub> pin), the DV <sub>DD</sub> and V <sub>DRIVE</sub> pin may be connected to the same voltage supply rail.   |
| 9       | V <sub>DRIVE</sub> | Logic Power Supply Input, 1.8 V to 3.6 V. The voltage supplied at this pin determines the operating voltage of the digital logic interface.   |
| 10      | SDO                | Serial Data Output. The conversion result from the AD7767 is output on the SDO pin as a 24-bit, twos complement, MSB first, serial data stream.   |
| 11      | DGND               | Digital Logic Power Supply Ground.  |
| 12      | DRDY               | Data Ready Output. A falling edge on the DRDY signal indicates that a new conversion data result is available in the output register of the AD7767. See the AD7767 Interface section for further details.   |
| 13      | SCLK               | Serial Clock Input. The SCLK input provides the serial clock for all serial data transfers with the AD7767 device. See the AD7767 Interface section for further details.  |
| 14      | MCLK               | Master Clock Input. The AD7767 sampling frequency is equal to the MCLK frequency.   |
| 15      | SDI                | Serial Data Input. This is the daisy-chain input of the AD7767. See the Daisy Chaining section for further details.   |
| 16      | CS                 | Chip Select Input. The CS input selects the AD7767 device and acts as an enable on the SDO pin. In cases where CS is used, the MSB of the conversion result is clocked onto the SDO line on the CS falling edge. The CS input allows multiple AD7767 devices to share the same SDO line. This allows the user to select the appropriate device by supplying it with a logic low CS signal, which enables the SDO pin of the device concerned. See the AD7767 Interface section for further details. |

## TYPICAL PERFORMANCE CHARACTERISTICS

$V_{DD} = DV_{DD} = 2.5 \text{ V} \pm 5\%$ ,  $V_{DRIVE} = 1.8 \text{ V to } 3.6 \text{ V}$ ,  $V_{REF} = 5 \text{ V}$ ,  $MCLK = 1 \text{ MHz}$ , common-mode input =  $V_{REF}/2$ .  $T_A = 25^\circ\text{C}$ , unless otherwise noted. All FFTs were generated using 8192 samples using a four-term Blackman-Harris window.

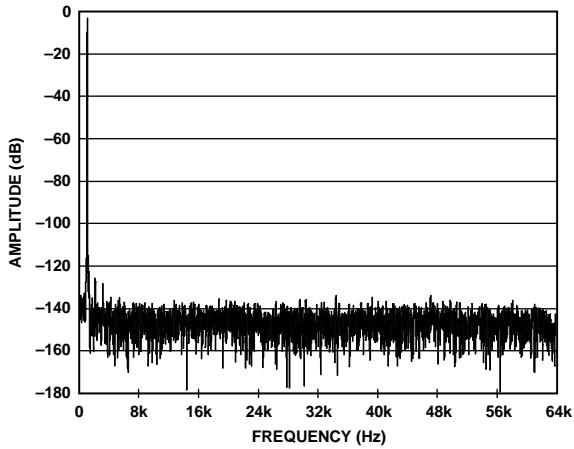


Figure 7. AD7767 FFT, 1 kHz, -0.5 dB Input Tone

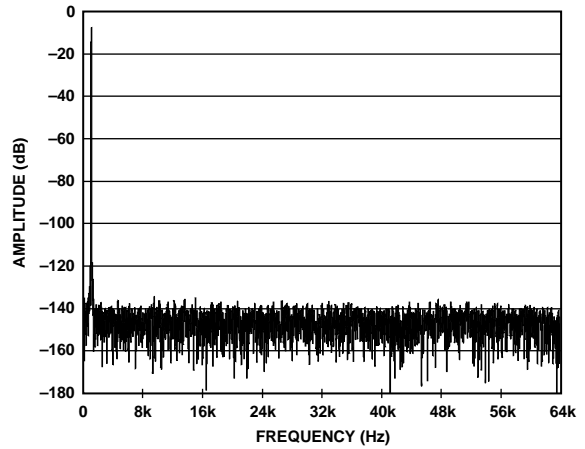


Figure 10. AD7767 FFT, 1 kHz, -6 dB Input Tone

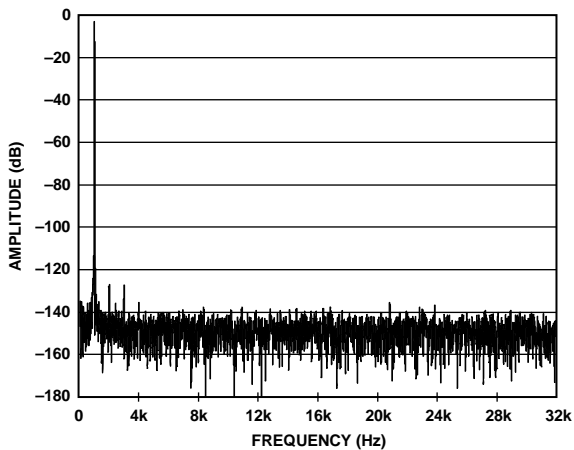


Figure 8. AD7767-1 FFT, 1 kHz, -0.5 dB Input Tone

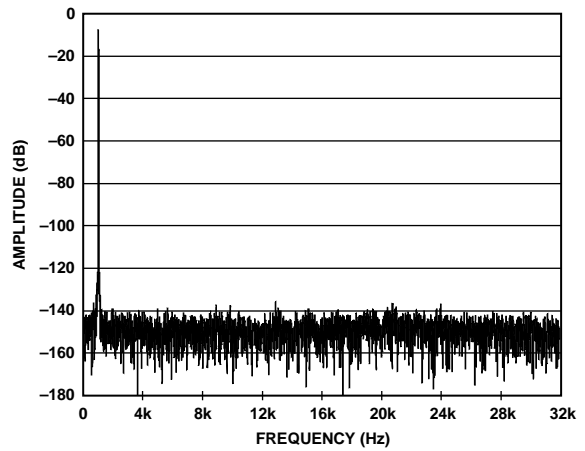


Figure 11. AD7767-1 FFT, 1 kHz, -6 dB Input Tone

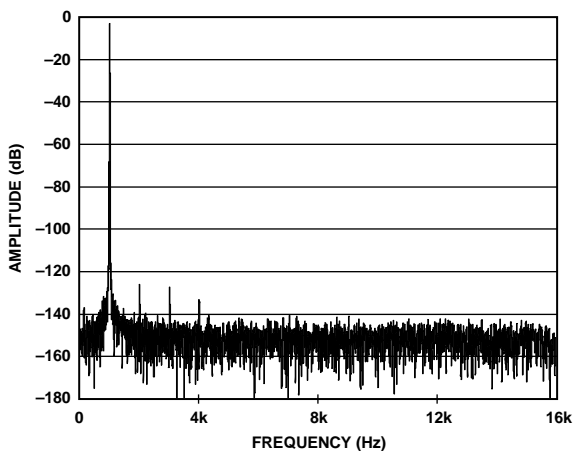


Figure 9. AD7767-2 FFT, 1 kHz, -0.5 dB Input Tone

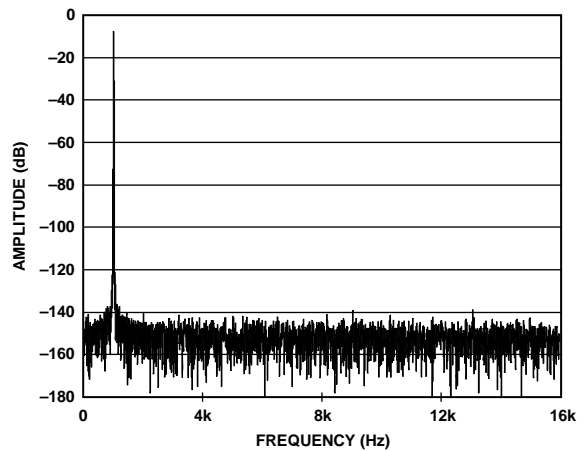


Figure 12. AD7767-2 FFT, 1 kHz, -6 dB Input Tone

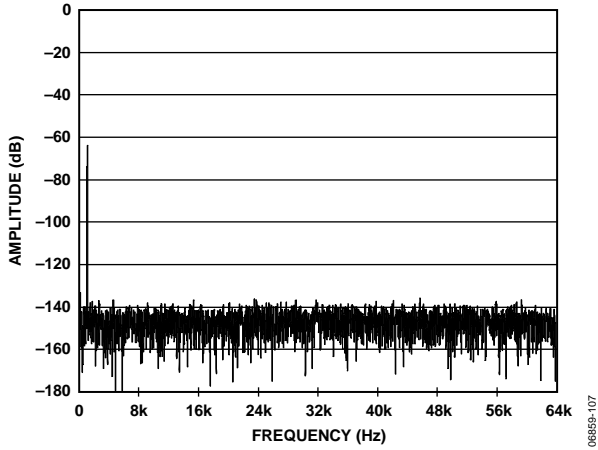


Figure 13. AD7767 FFT, 1 kHz, -60 dB Input Tone

06859-107

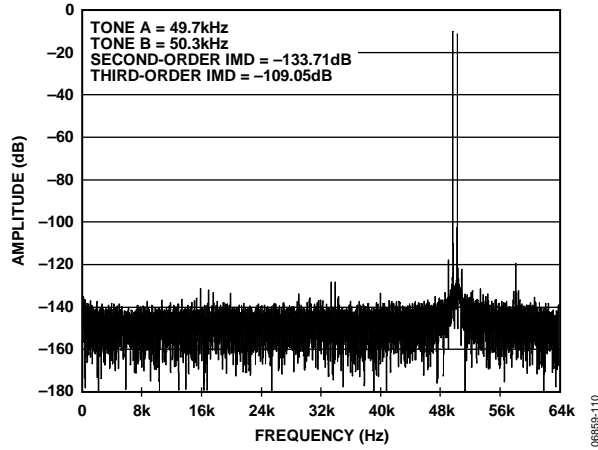


Figure 16. AD7767 IMD FFT, 50 kHz Center Frequency

06859-110

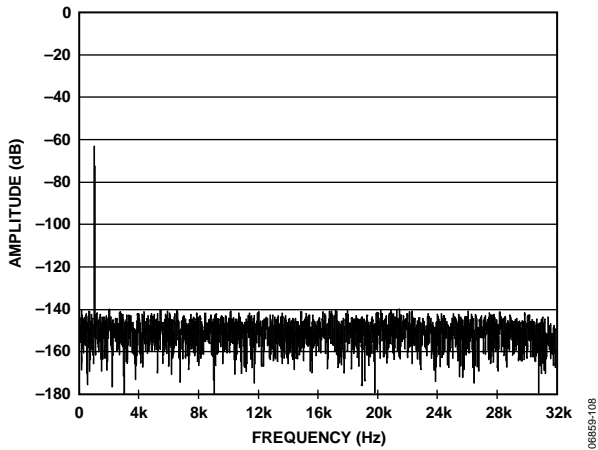


Figure 14. AD7767-1 FFT, 1 kHz, -60 dB Input Tone

06859-108

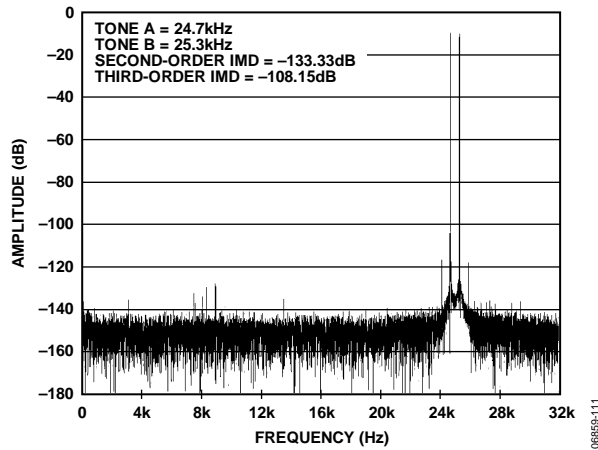


Figure 17. AD7767-1 IMD FFT, 25 kHz Center Frequency

06859-111

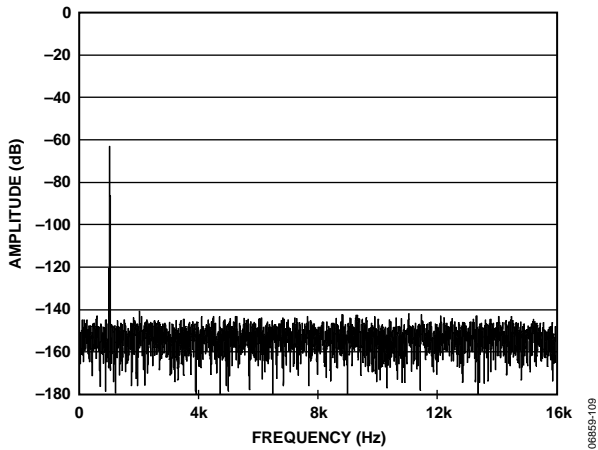


Figure 15. AD7767-2 FFT, 1 kHz, -60 dB Input Tone

06859-109

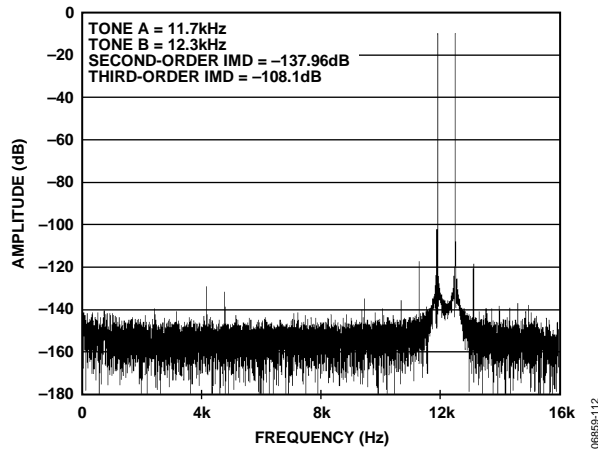


Figure 18. AD7767-2 IMD FFT, 12 kHz Center Frequency

06859-112

# AD7767

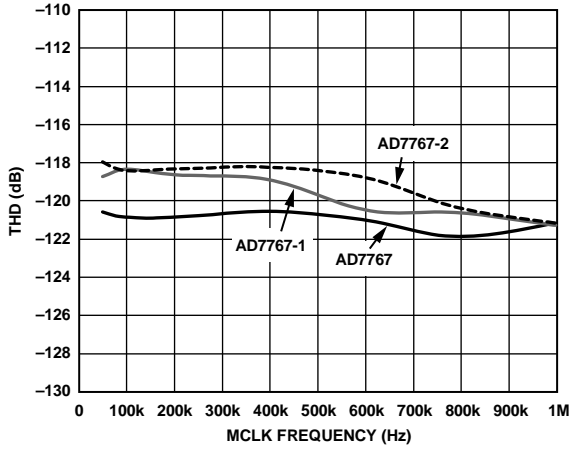


Figure 19. AD7767/AD7767-1/AD7767-2 THD vs. MCLK Frequency

06859-113

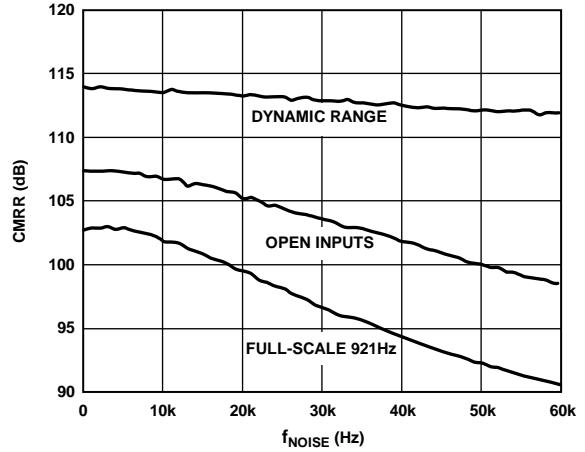


Figure 22. AD7767 CMRR vs. Common-Mode Ripple Frequency ( $f_{NOISE}$ )

06859-116

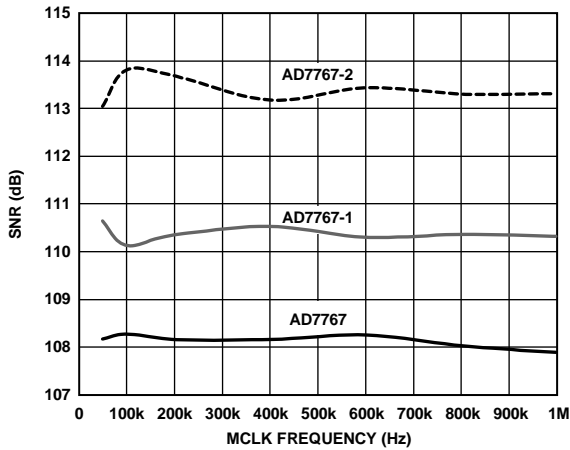


Figure 20. AD7767/AD7767-1/AD7767-2 SNR vs. MCLK Frequency

06859-114

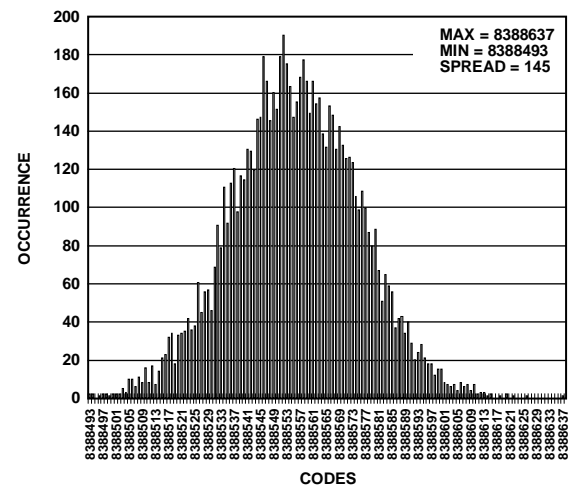


Figure 23. AD7767 24-Bit Histogram

06859-118

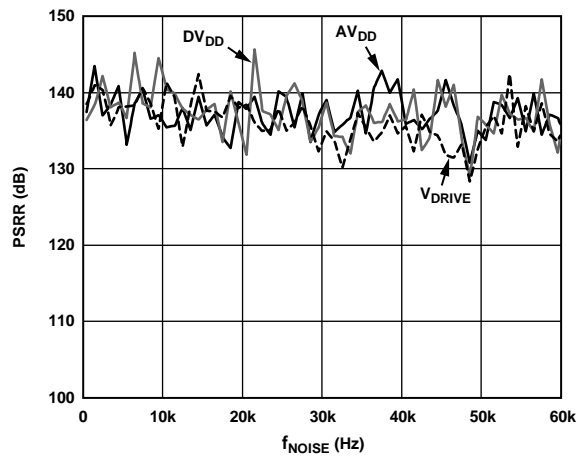


Figure 21. AD7767 Power Supply Sensitivity vs. Supply Ripple Frequency ( $f_{NOISE}$ ) with Decoupling Capacitors

06859-117

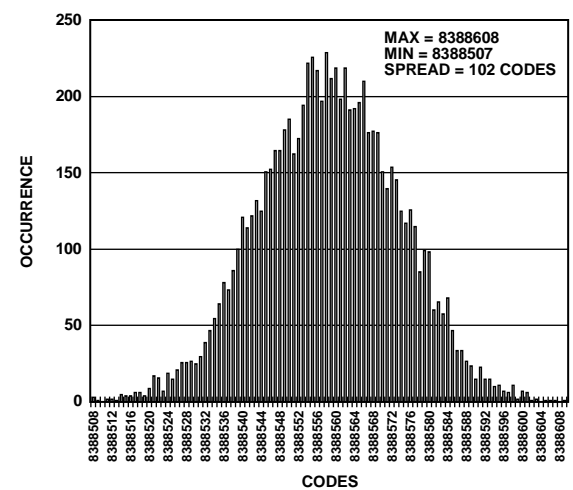


Figure 24. AD7767-1 24-Bit Histogram

06859-119

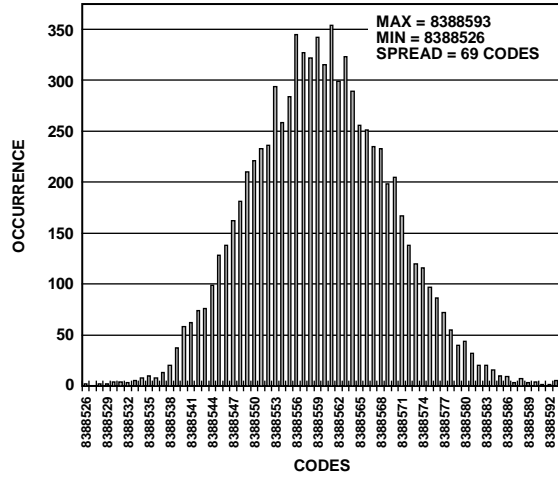


Figure 25. AD7767-2 24-Bit Histogram

06869-120

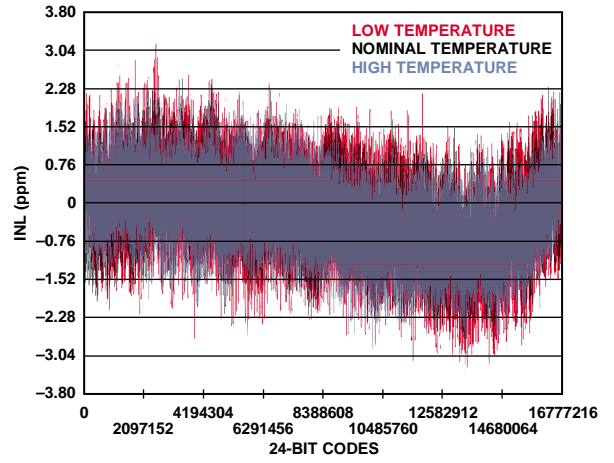


Figure 27. AD7767/AD7767-1/AD7767-2 24-Bit INL

06869-122

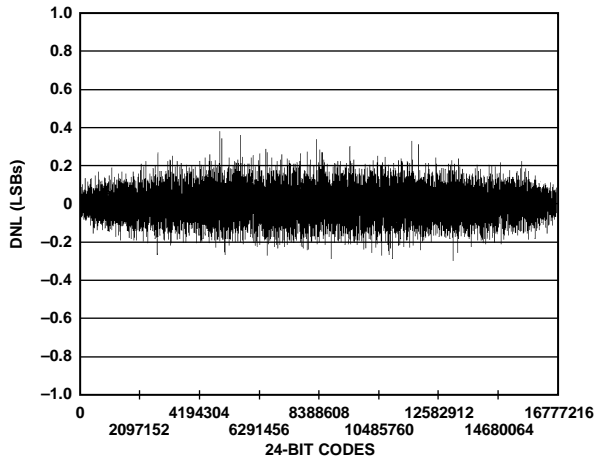


Figure 26. AD7767/AD7767-1/AD7767-2 24-Bit DNL

06869-121

## TERMINOLOGY

### Signal-to-Noise Ratio (SNR)

SNR is the ratio of the actual input signal's rms value to the rms sum of all other spectral components below the Nyquist frequency, excluding harmonics and dc. The value for SNR is expressed in decibels.

### Total Harmonic Distortion (THD)

THD is the ratio of the rms sum of harmonics to the fundamental. For the AD7767, it is defined as

$$THD \text{ (dB)} = 20 \log \frac{\sqrt{V_2^2 + V_3^2 + V_4^2 + V_5^2 + V_6^2}}{V_1}$$

where:

$V_1$  is the rms amplitude of the fundamental.

$V_2, V_3, V_4, V_5,$  and  $V_6$  are the rms amplitudes of the second to the sixth harmonics.

### Nonharmonic Spurious-Free Dynamic Range (SFDR)

SFDR is the ratio of the rms signal amplitude to the rms value of the peak spurious spectral component, excluding harmonics.

### Dynamic Range

Dynamic range is the ratio of the rms value of the full scale to the rms noise measured with the inputs shorted together. The value for the dynamic range is expressed in decibels.

### Intermodulation Distortion (IMD)

With inputs consisting of sine waves at two frequencies,  $f_a$  and  $f_b$ , any active device with nonlinearities creates distortion products at sum and difference frequencies of  $m f_a \pm n f_b$ , where  $m, n = 0, 1, 2, 3,$  and so on. Intermodulation distortion terms are those for which neither  $m$  nor  $n$  are equal to 0. For example, the second-order terms include  $(f_a + f_b)$  and  $(f_a - f_b)$ , and the third-order terms include  $(2f_a + f_b)$ ,  $(2f_a - f_b)$ ,  $(f_a + 2f_b)$ , and  $(f_a - 2f_b)$ .

The AD7767 is tested using the CCIF standard, where two input frequencies near the top end of the input bandwidth are used.

In this case, the second-order terms are usually distanced in frequency from the original sine waves, and the third-order terms are usually at a frequency close to the input frequencies. As a result, the second- and third-order terms are specified separately. The calculation of the intermodulation distortion is

as per the THD specification, where it is the ratio of the rms sum of the individual distortion products to the rms amplitude of the sum of the fundamentals expressed in decibels.

### Integral Nonlinearity (INL)

INL is the maximum deviation from a straight line passing through the endpoints of the ADC transfer function.

### Differential Nonlinearity (DNL)

DNL is the difference between the measured and the ideal 1 LSB change between any two adjacent codes in the ADC.

### Zero Error

Zero error is the difference between the ideal midscale input voltage (when both inputs are shorted together) and the actual voltage producing the midscale output code.

### Zero Error Drift

Zero error drift is the change in the actual zero error value due to a temperature change of 1°C. It is expressed as a percentage of full scale at room temperature.

### Gain Error

The first transition (from 100 ... 000 to 100 ... 001) should occur ½ LSB above the nominal negative full scale for an analog voltage. The last transition (from 011 ... 110 to 011 ... 111) should occur 1½ LSB below the nominal full scale for an analog voltage. The gain error is the deviation of the difference between the actual level of the last transition and the actual level of the first transition, from the difference between the ideal levels.

### Gain Error Drift

Gain error drift is the change in the actual gain error value due to a temperature change of 1°C. It is expressed as a percentage of full scale at room temperature.

### Common-Mode Rejection Ratio (CMRR)

CMRR is defined as the ratio of the power in the ADC output at full-scale frequency  $f$  to the power of a 100 mV sine wave applied to the common-mode voltage of the  $V_{IN+}$  and  $V_{IN-}$  inputs at frequency  $f_s$ .

$$CMRR \text{ (dB)} = 10 \log(P_f/P_{f_s})$$

where  $P_f$  is the power at the frequency  $f$  in the ADC output, and  $P_{f_s}$  is the power at the frequency  $f_s$  in the ADC output.

## THEORY OF OPERATION

The AD7767/AD7767-1/AD7767-2 operate using a fully differential analog input applied to a successive approximation (SAR) core. The output of the oversampled SAR is filtered using a linear-phase digital FIR filter. The fully filtered data is output in a serial format, with the MSB being clocked out first.

### AD7767/AD7767-1/AD7767-2 TRANSFER FUNCTION

The conversion results of the AD7767/AD7767-1/AD7767-2 are output in a twos complement, 24-bit serial format. The fully differential inputs  $V_{IN+}$  and  $V_{IN-}$  are scaled by the AD7767/AD7767-1/AD7767-2 relative to the reference voltage input ( $V_{REF+}$ ) as shown in Figure 28.

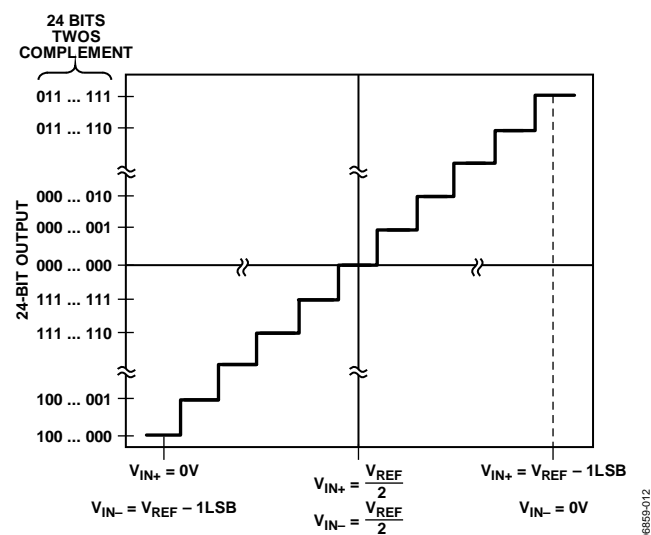


Figure 28. AD7767/AD7767-1/AD7767-2 Transfer Function

### CONVERTER OPERATION

Internally, the input waveform applied to the SAR core is converted and an equivalent digital word is output to the digital filter at a rate equal to MCLK. By employing oversampling, the quantization noise of the converter is spread across a wide bandwidth from 0 to  $f_{MCLK}$ . This means that the noise energy contained in the signal band of interest is reduced (see Figure 29).

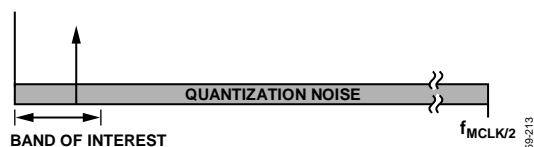


Figure 29. Quantization Noise

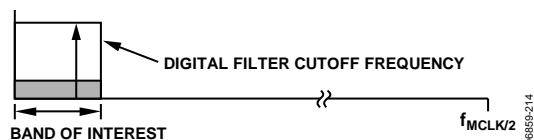


Figure 30. Digital Filter Cutoff Frequency

The digital filtering that follows the converter output acts to remove the out-of-band quantization noise (see Figure 30). This also has the effect of reducing the data rate from  $f_{MCLK}$  at the input of the filter to  $f_{MCLK}/8$ ,  $f_{MCLK}/16$ , or  $f_{MCLK}/32$  at the digital output, depending on which model of the device is being used.

The digital filter consists of three separate filter blocks. Figure 31 shows the three constituent blocks of the filter. The order of decimation of the first filter block is set as 2, 4, or 8. The remaining sections each operate with a decimation of 2.

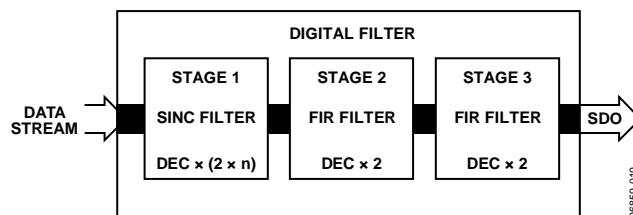


Figure 31. FIR Filter Stages  
( $n = 1$  for AD7767,  $n = 2$  for AD7767-1,  $n = 4$  for AD7767-2)

Table 6 shows the three available models of the AD7767, listing the change in output data rate relative to the order of decimation rate implemented. This brings into focus the trade-off that exists between extra filtering and reduction in bandwidth, whereby using a filter option with a larger decimation rate increases the noise performance while decreasing the usable input bandwidth.

Table 6. AD7767 Models

| Model    | Decimation Rate | Output Data Rate (ODR) |
|----------|-----------------|------------------------|
| AD7767   | 8               | 128 kHz                |
| AD7767-1 | 16              | 64 kHz                 |
| AD7767-2 | 32              | 32 kHz                 |

Note that the output data rates shown in Table 6 are realized when using the maximum MCLK input frequency of 1.024 MHz. The output data rate scales linearly with the MCLK frequency, as does the digital power dissipated in the device.

The settling time of the filter implemented on the AD7767, AD7767-1, and AD7767-2 is related to the length of the filter employed. The response of the filter in the time domain sets the filter settling time. Table 7 shows the filter settling times of the AD7767/AD7767-1/AD7767-2.

The frequency responses of the digital filters on the AD7767, AD7767-1, and AD7767-2 are shown in Figure 32, Figure 33, and Figure 34, respectively. At the Nyquist frequency (output data rate/2), the digital filter provides 6 dB of attenuation. In each case, the filter provides stop-band attenuation of 100 dB and pass-band ripple of  $\pm 0.005$  dB.

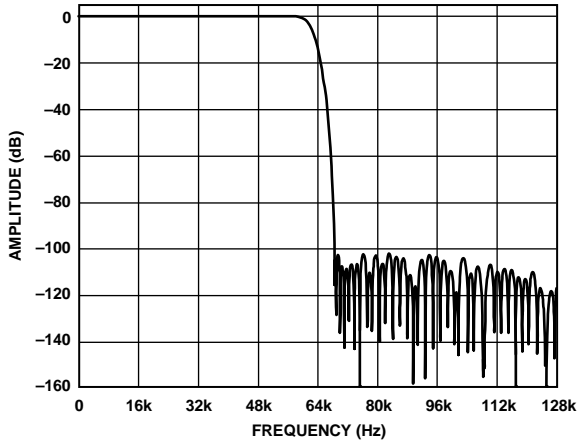


Figure 32. AD7767 Digital Filter Frequency Response

06859-216

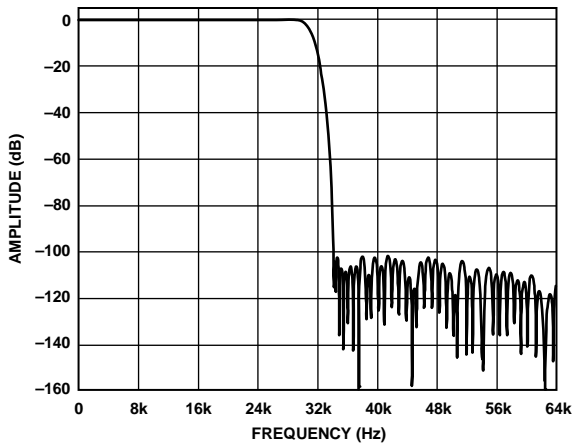


Figure 33. AD7767-1 Digital Filter Frequency Response

06859-217

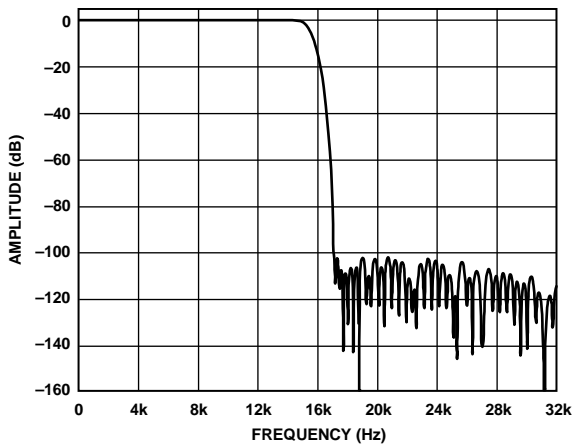


Figure 34. AD7767-2 Digital Filter Frequency Response

06859-218

## ANALOG INPUT STRUCTURE

The AD7767/AD7767-1/AD7767-2 are configured as a differential input structure. A true differential signal is sampled between the analog inputs  $V_{IN+}$  and  $V_{IN-}$ , Pin 4 and Pin 5, respectively. Using differential inputs provides rejection of signals that are common to both the  $V_{IN+}$  and  $V_{IN-}$  pins.

Figure 35 shows the equivalent analog input circuit of the AD7767/AD7767-1/AD7767-2. The two diodes on each of the differential inputs provide ESD protection for the analog inputs.

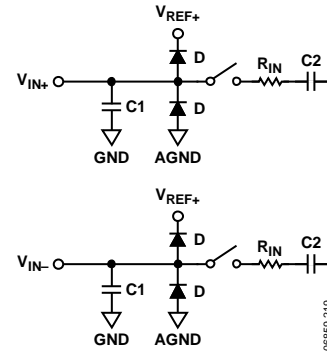


Figure 35. Equivalent Analog Input Structure

06859-219

Take care to ensure that the analog input signal does not exceed the reference supply voltage ( $V_{REF+}$ ) by more than 0.3 V, as specified in the Absolute Maximum Ratings section. If the input voltage exceeds this limit, the diodes become forward biased and start to conduct current. The diodes can handle 130 mA maximum.

The impedance of the analog inputs can be modeled as a parallel combination of  $C1$  and the network formed by the series connection of  $R_{IN}$ ,  $C1$ , and  $C2$ . The value of  $C1$  is dominated by the pin capacitance.  $R_{IN}$  is typically 1.4 k $\Omega$ , the lumped component of serial resistors and the  $R_{ON}$  of the switches.  $C2$  is typically 22 pF, and its value is dominated by the sampling capacitor.

## SUPPLY AND REFERENCE VOLTAGES

The AD7767/AD7767-1/AD7767-2 operate from a 2.5 V supply applied to the  $DV_{DD}$  and  $AV_{DD}$  pins. The interface is specified to operate between 1.7 V and 3.6 V. The AD7767/AD7767-1/AD7767-2 operate from a reference input in the range of 2.2 V to  $2 \times AV_{DD}$  applied to the  $V_{REF+}$  pin. The nominal reference supply voltage is 5 V, but a 2.5 V supply can also be used. When using a 5 V reference, the recommended reference devices are the [ADR445](#), [ADR435](#), or [ADR425](#); when using 2.5 V, the [ADR441](#), [ADR431](#), or [ADR421](#) are recommended. The voltage applied to the reference input ( $V_{REF+}$ ) operates both as a reference supply and as a power supply to the AD7767/AD7767-1/AD7767-2 device. Therefore, when using a 5 V reference input, the full-scale differential input range of the AD7767/AD7767-1/AD7767-2 is 10 V. See the Driving the AD7767 section for details on the maximum input voltage.

## AD7767 INTERFACE

The AD7767 provides the user with a flexible serial interface, enabling the user to implement the most desirable interfacing scheme for their application. The AD7767 interface comprises seven different signals. Five of these signals are inputs: MCLK, CS, SYNC/PD, SCLK, and SDI. The other two signals are outputs: DRDY and SDO.

### INITIAL POWER-UP

On initial power-up, apply a continuous MCLK signal. It is recommended that the user reset the AD7767 to clear the filters and ensure correct operation. The reset is completed as shown in Figure 5, with all events occurring relative to the rising edge of MCLK. A negative pulse on the SYNC/PD input initiates the reset, and the DRDY output switches to logic high and remains high until valid data is available. Following the power-up of the AD7767 by transitioning the SYNC/PD pin to logic high, a settling time is required before valid data is output by the device. This settling time,  $t_{SETTLING}$ , is a function of the MCLK frequency and the decimation rate. Table 7 lists the settling time of each AD7767 model and should be referenced when reviewing Figure 5.

**Table 7. Filter Settling Time After SYNC/PD**

| Model    | Decimation Rate | $t_{SETTLING}^1$                  |
|----------|-----------------|-----------------------------------|
| AD7767   | 8               | $(594 \times t_{MCLK}) + t_{21}$  |
| AD7767-1 | 16              | $(1186 \times t_{MCLK}) + t_{21}$ |
| AD7767-2 | 32              | $(2370 \times t_{MCLK}) + t_{21}$ |

<sup>1</sup>  $t_{SETTLING}$  is measured from the first MCLK rising edge after the rising edge of SYNC/PD to the falling edge of DRDY.

### READING DATA

The AD7767 outputs its data conversion results in an MSB-first, twos complement, 24-bit format on the serial data output pin (SDO). MCLK is the master clock, which controls all the AD7767 conversions. The SCLK is the serial clock input for the device. All data transfers take place with respect to the SCLK signal.

The DRDY line is used as a status signal to indicate when the data is available to be read from the AD7767. The falling edge of DRDY indicates that a new data-word is available in the output register of the device. DRDY stays low during the period that output data is permitted to be read from the SDO pin. The DRDY signal returns to logic high to indicate when not to read from the device. Ensure that a data read is not attempted during this period while the output register is being updated.

The AD7767 offers the option of using a chip select input signal ( $\overline{CS}$ ) in its data read cycle. The  $\overline{CS}$  signal is a gate for the SDO pin and allows many AD7767 devices to share the same serial bus. It acts as an instruction signal to each of these devices indicating permission to use the bus. When  $\overline{CS}$  is logic high, the SDO line of the AD7767 is tristated.

There are two distinct patterns that can be initiated to read data from the AD7767 device: a pattern for when the  $\overline{CS}$  falling edge occurs after the DRDY falling edge and a pattern for when the  $\overline{CS}$  falling edge occurs before the DRDY falling edge (when  $\overline{CS}$  is set to logic low).

When the  $\overline{CS}$  falling edge occurs after the DRDY falling edge, the MSB of the conversion result is available on the SDO line on the  $\overline{CS}$  falling edge. The remaining bits of the conversion result (MSB – 1, MSB – 2, and so on) are clocked onto the SDO line by the falling edges of SCLK that follow the  $\overline{CS}$  falling edge. Figure 3 details this interfacing scheme.

When  $\overline{CS}$  is tied low, the AD7767 serial interface can operate in 3-wire mode as shown in Figure 4. In this case, the MSB of the conversion result is available on the SDO line on the falling edge of DRDY. The remaining bits of the data conversion result (MSB – 1, MSB – 2, and so on) are clocked onto the SDO line by the subsequent SCLK falling edges.

### POWER-DOWN, RESET, AND SYNCHRONIZATION

The AD7767 SYNC/PD pin allows the user to synchronize multiple AD7767 devices. This pin also allows the user to reset and power down the AD7767 device. These features are implemented relative to the rising edges of MCLK and are shown in Figure 5, marked as A, B, C, and D.

To power down, reset, or synchronize a device, the AD7767 SYNC/PD pin should be taken low. On the first rising edge of MCLK, the AD7767 is powered down. The DRDY pin transitions to logic high, indicating that the data in the output register is no longer valid. The status of the SYNC/PD pin is checked on each subsequent rising edge of MCLK. On the first rising edge of MCLK after the SYNC/PD pin is taken high, the AD7767 is taken out of power-down. On the next rising edge, the filter of the AD7767 is reset. On the following rising edge, the first new sample is taken.

A settling time,  $t_{SETTLING}$ , from the filter reset must elapse before valid data is output by the device (see Table 7). The DRDY output goes logic low after  $t_{SETTLING}$  to indicate when valid data is available on SDO for readback.

## DAISY CHAINING

Daisy chaining devices allows numerous devices to use the same digital interface lines by cascading the outputs of multiple ADCs on a single data line. This feature is especially useful for reducing component count and wiring connections, for example, in isolated multiconverter applications or for systems with a limited interfacing capacity. Data readback is analogous to clocking a shift register where data is clocked on the falling edge of SCLK.

The block diagram in Figure 36 shows how devices must be connected to achieve daisy-chain functionality. The scheme shown operates by passing the output data of the SDO pin of an AD7767 device to the SDI input of the next AD7767 device in the chain. The data then continues through the chain until it is clocked onto the SDO pin of the first device in the chain.

### READING DATA IN DAISY-CHAIN MODE

An example of a daisy chain of four AD7767 devices is shown in Figure 36 and Figure 37. In the case illustrated in Figure 36, the output of the AD7767 labeled A is the output of the full daisy chain. The last device in the chain (the AD7767 labeled D) has its serial data input (SDI) pin connected to ground. All the devices in the chain must use common MCLK, SCLK,  $\overline{\text{CS}}$ , and  $\overline{\text{SYNC/PD}}$  signals.

To enable the daisy-chain conversion process, apply a common  $\overline{\text{SYNC/PD}}$  pulse to all devices, synchronizing all the devices in the chain (see the Power-Down, Reset, and Synchronization section).

After applying a  $\overline{\text{SYNC/PD}}$  pulse to all the devices, there is a delay (as listed in Table 7) before valid conversion data appears at the output of the chain of devices. As shown in Figure 37, the first conversion result is output from the AD7767 device labeled A. This 24-bit conversion result is followed by the conversion results from the devices labeled B, C, and D, respectively, with all conversion results output in an MSB-first sequence. The stream of conversion results is clocked through each device in the chain and is eventually clocked onto the SDO pin of the AD7767 device labeled A. The conversion results of all the devices in the chain must be clocked onto the SDO pin of the final device in the chain while its  $\overline{\text{DRDY}}$  signal is active low.

This is illustrated in the examples shown (Figure 37 and Figure 38), where the conversion results from the devices labeled A, B, C, and D are clocked onto SDO (A) during the time between the falling edge of  $\overline{\text{DRDY}}$  (A) and the rising edge of  $\overline{\text{DRDY}}$  (A).

### CHOOSING THE SCLK FREQUENCY

As shown in Figure 37, the number of SCLK falling edges that occur during the period when  $\overline{\text{DRDY}}$  (A) is active low must match the number of devices in the chain multiplied by 24 (the number of bits that must be clocked through onto SDO (A) for each device).

The period of SCLK ( $t_{\text{SCLK}}$ ) required for a known daisy-chain length using a known common MCLK frequency must, therefore, be established in advance. Note that the maximum SCLK frequency is governed by  $t_8$  and is specified in the Timing Specifications table for different  $V_{\text{DRIVE}}$  voltages.

In the case where  $\overline{\text{CS}}$  is tied logic low,

$$t_{\text{SCLK}} \leq \left[ \frac{t_{\text{READ}}}{24 \times K} \right] \quad (1)$$

where:

$K$  is the number of AD7767 devices in the chain.

$t_{\text{SCLK}}$  is the period of the SCLK.

$t_{\text{READ}}$  equals  $t_{\text{DRDY}} - t_5$ .

In the case where  $\overline{\text{CS}}$  is used in the daisy-chain interface,

$$t_{\text{SCLK}} \leq \left[ \frac{(t_{\text{READ}}) - (t_6 + t_7 + t_{13})}{24 \times K} \right] \quad (2)$$

where:

$K$  is the number of AD7767 devices in the chain.

$t_{\text{SCLK}}$  is the period of the SCLK.

$t_{\text{READ}}$  equals  $t_{\text{DRDY}} - t_5$ .

Note that the maximum value of SCLK is governed by  $t_8$  and is specified in the Timing Specifications table for different  $V_{\text{DRIVE}}$  voltages.

DAISY-CHAIN MODE CONFIGURATION AND TIMING DIAGRAMS

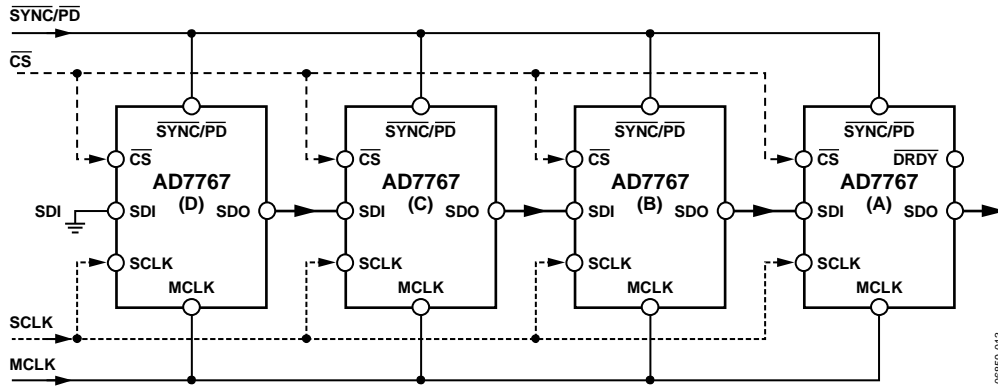


Figure 36. Daisy-Chain Configuration with Four AD7767 Devices

08859-013

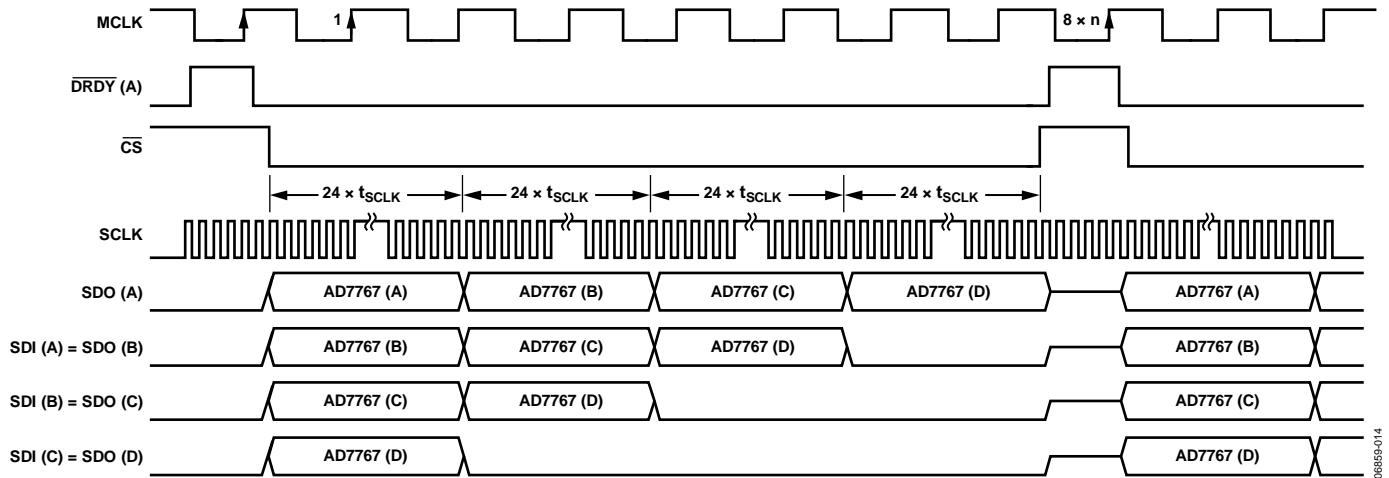


Figure 37. Daisy-Chain Timing Diagram ( $n = 1$  for AD7767,  $n = 2$  for AD7767-1,  $n = 4$  for AD7767-2) When Driving the AD7767

08859-014

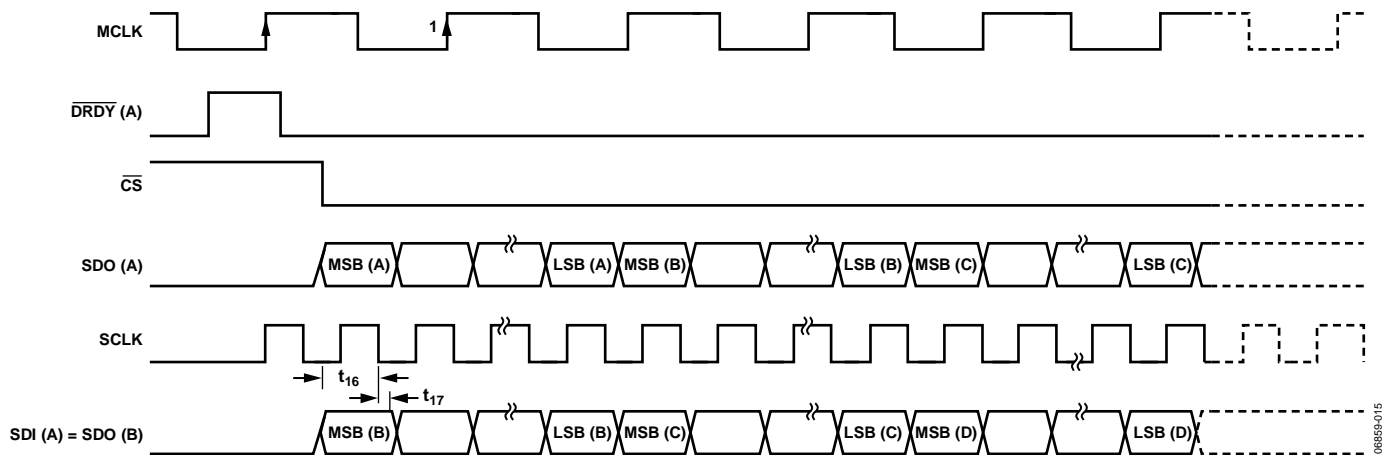


Figure 38. Daisy-Chain SDI Setup and Hold Timing

08859-015

## DRIVING THE AD7767

The AD7767 must be driven with fully differential inputs. The common-mode voltage of the differential inputs to the AD7767 device and therefore the limits on the differential inputs are set by the reference voltage ( $V_{REF}$ ) applied to the device. The common-mode voltage of the AD7767 is  $V_{REF}/2$ . When the AD7767  $V_{REF+}$  pin has a 5 V supply (using ADR445, ADR435, or ADR425), the common mode is at 2.5 V, meaning that the maximum inputs that can be applied on the AD7767 differential inputs are a 5 V p-p input around 2.5 V.

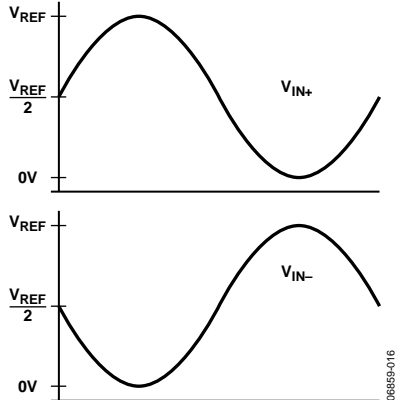


Figure 39. Maximum Differential Inputs to the AD7767

An analog voltage of 2.5 V supplies the AD7767  $AV_{DD}$  pin. However, the AD7767 allows the user to apply a reference voltage of up to 5 V. This provides the user with an increased full-scale range, offering the user the option of using the AD7767 with a greater LSB voltage. Figure 39 shows the maximum inputs to the AD7767.

### DIFFERENTIAL SIGNAL SOURCE

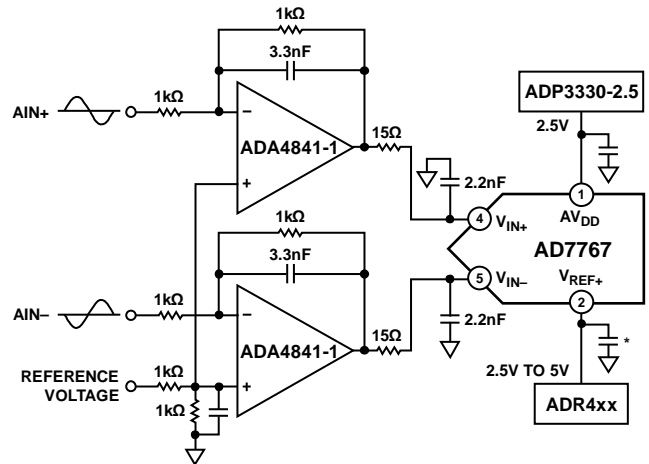
An example of recommended driving circuitry that can be used in conjunction with the AD7767/AD7767-1/AD7767-2 is shown in Figure 40. Figure 40 shows how the ADA4841-1 device can be used to drive an input to the AD7767/AD7767-1/AD7767-2 from a differential source. Each of the differential paths is driven by an ADA4841-1 device.

### SINGLE-ENDED SIGNAL SOURCE

For applications using a single-ended analog signal, either bipolar or unipolar, the ADA4941-1 single-ended-to-differential driver creates a fully differential input to the AD7767/AD7767-1/AD7767-2. The schematic is shown in Figure 41.

$R1$  and  $R2$  set the attenuation ratio between the input range and the ADC range ( $V_{REF}$ ).  $R1$ ,  $R2$ , and  $C_F$  are chosen depending on the desired input resistance, signal bandwidth, antialiasing, and noise contribution. The ratio of  $R2$  to  $R1$  should be equal to the ratio of  $REF$  to the peak-to-peak input voltage. For example, for the  $\pm 10$  V range with a  $4\text{ k}\Omega$  impedance,  $R2 = 1\text{ k}\Omega$  and  $R1 = 4\text{ k}\Omega$ .

$R3$  and  $R4$  set the common mode on the  $IN-$  input, and  $R5$  and  $R6$  set the common mode on the  $IN+$  input of the ADC. The common mode, which is equal to the voltage present at  $V_{OFFSET1}$ , should be close to  $V_{REF}/2$ . The voltage present should roughly be set to the ratio of  $V_{OFFSET1}$  to  $1 + R2/R1$ .



\*SEE  $V_{REF+}$  INPUT SIGNAL SECTION FOR DETAILS.

Figure 40. Driving the AD7767 from a Fully Differential Source

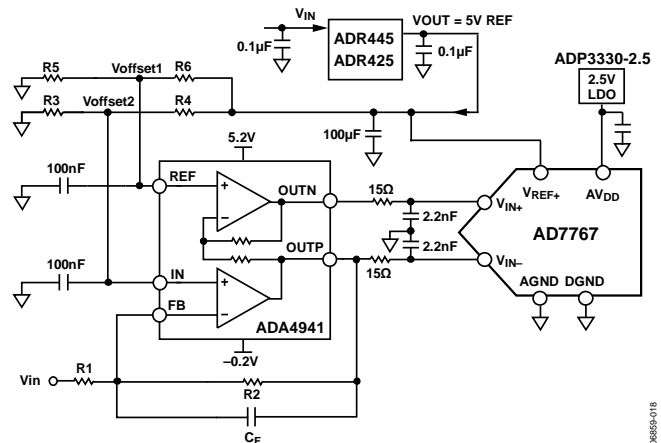


Figure 41. Driving the AD7767 from a Single-Ended Source

Table 8. Resistor Values Required When Using the Differential to Single-Ended Circuit with ADA4941 (See Figure 41)

| $V_{IN}$ (V) | $V_{OFFSET1}$ (V) | $V_{OFFSET2}$ (V) | OUT+ (V)     | OUT- (V)   | $R1$ (k $\Omega$ ) | $R2$ (k $\Omega$ ) | $R4$ (k $\Omega$ ) | $R3 = R5 = R6$ (k $\Omega$ ) |
|--------------|-------------------|-------------------|--------------|------------|--------------------|--------------------|--------------------|------------------------------|
| +20, -20     | 2.5               | 2.203             | -0.01, +4.96 | 5.01, 0.04 | 8.06               | 1                  | 12.7               | 10                           |
| +10, -10     | 2.5               | 2.000             | 0.01, 4.99   | 4.99, 0.01 | 4.02               | 1                  | 15                 | 10                           |
| +5, -5       | 2.5               | 1.667             | 0.00, 5.00   | 5.00, 0.00 | 2                  | 1                  | 20                 | 10                           |

### ANTI\_ALIASING

The AD7767/AD7767-1/AD7767-2 sample the analog input at a maximum rate of 1.024 MHz. The on-board digital filter provides up to 100 dB attenuation for any possible aliasing frequency in the range from the beginning of the filter stop band ( $0.547 \times \text{ODR}$ ) to where the image of the digital filter pass band occurs. This occurs at MCLK minus the filter stop band ( $\text{MCLK} - 0.547 \times \text{ODR}$ ), as shown in Figure 42.

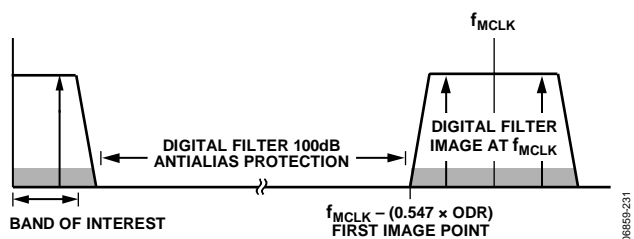


Figure 42. AD7767/AD7767-1/AD7767 Spectrum

Table 9 shows the attenuation achieved by various orders of front-end antialias filters prior to the signal entering the AD7767/AD7767-1/AD7767-2 at the image of the digital filter stop band, which is  $1.024 \text{ MHz} - 0.547 \times \text{ODR}$ .

**Table 9. Antialias Filter Order, Attenuation at at First Image Point**

| Model    | Filter Order | Attenuation at $1.024 \text{ MHz} - 0.547 \times \text{ODR}$ |
|----------|--------------|--|
| AD7767   | First        | 27 dB  |
|          | Second       | 50 dB  |
|          | Third        | 70 dB  |
| AD7767-1 | First        | 33 dB  |
|          | Second       | 62 dB  |
|          | Third        | 89 dB  |
| AD7767-2 | First        | 38 dB  |
|          | Second       | 74 dB  |
|          | Third        | 110 dB   |

The AD7764 and AD7765  $\Sigma$ - $\Delta$  devices are available to customers that require extra antialias protection. These devices sample the signal internally at a rate of 20 MHz to achieve up to a maximum of 156 kHz or 312 kHz output data rate. This means that the first alias point of these devices when run at the maximum speeds is 19.921 MHz and 19.843 MHz, respectively.

### POWER DISSIPATION

The AD7767/AD7767-1/AD7767-2 offer exceptional performance at ultralow power. Figure 43, Figure 44, and Figure 45 show how the current consumption of the AD7767/AD7767-1/AD7767-2 scales with the MCLK frequency applied to the device. Both the digital and analog currents scale as the MCLK frequency is reduced. The actual throughput equals the MCLK frequency

applied divided by the decimation rate employed by the device in use. For instance, operating the AD7767 device with an MCLK of 800 kHz results in an output data rate of 100 kHz due to the decimate-by-8 filtering.

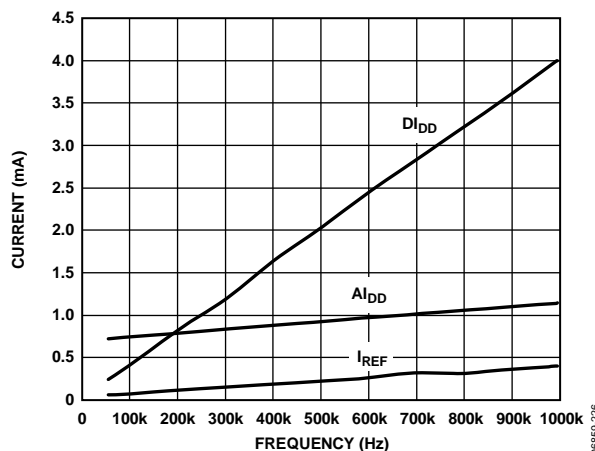


Figure 43. AD7767 Current vs. MCLK Frequency

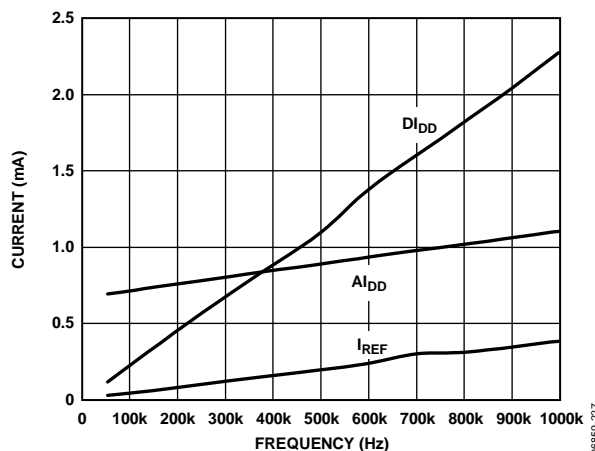


Figure 44. AD7767-1 Current vs. MCLK Frequency

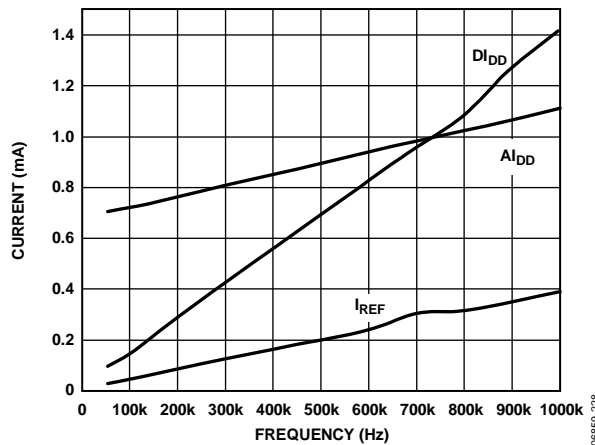


Figure 45. AD7767-2 Current vs. MCLK Frequency

## V<sub>REF+</sub> INPUT SIGNAL

The AD7767/AD7767-1/AD7767-2 V<sub>REF+</sub> pin is supplied with a voltage in the range of 2.4 V to 2 × AV<sub>DD</sub> (nominally 5 V). It is recommended that the V<sub>REF+</sub> input be generated by a low noise voltage reference. Examples of such references are the [ADR445](#), [ADR435](#), [ADR425](#) (5 V output), and [ADR421](#) (2.5 V output). Typical reference supply circuits are shown in Figure 46.

The reference voltage input pin (V<sub>REF+</sub>) also acts as a power supply to the AD7767/AD7767-1/AD7767-2 device. For a 5 V V<sub>REF+</sub> input, a full-scale input of 5 V on both V<sub>IN+</sub> and V<sub>IN-</sub> can be applied while voltage supplies to pins AV<sub>DD</sub> remain at 2.5 V. This configuration reduces the number of different supplies required.

The output of the low noise voltage reference does not require a buffer; however, decoupling the output of the low noise reference is important. Place a 0.1 μF capacitor at the output of the voltage reference devices (ADR445, ADR435, ADR425, and ADR421) and follow the decoupling advice provided for the reference device chosen.

As mentioned, the nominal supply to the V<sub>REF+</sub> pin is 5 V to achieve the full dynamic range available. When a 2.5 V V<sub>REF+</sub> input is used (that is, in low power applications), the signal-to-noise ratio and dynamic range figures (generated using a 5 V V<sub>REF+</sub> input) quoted in the Specifications section decrease by 6 dB, a direct result of halving the available input range.

The AD7767/AD7767-1/AD7767-2 device requires a 100 μF capacitor to ground, which acts as a decoupling capacitor and as a reservoir of charge for the V<sub>REF+</sub> pin. Place this capacitor as close to the AD7767/AD7767-1/AD7767-2 device as possible. Reducing the value of this capacitor (C40 in Figure 46) to 10 μF typically degrades noise performance by 1 dB. C40 can be an electrolytic or tantalum capacitor.

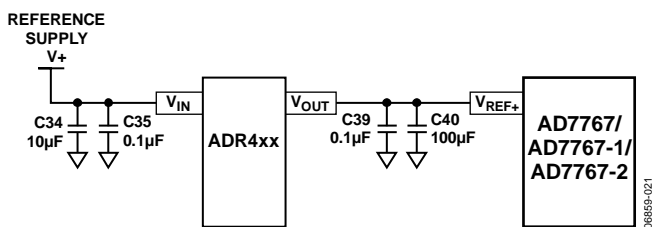


Figure 46. AD7767/AD7767-1/AD7767-2 Reference Input Configuration

## MULTIPLEXING ANALOG INPUT CHANNELS

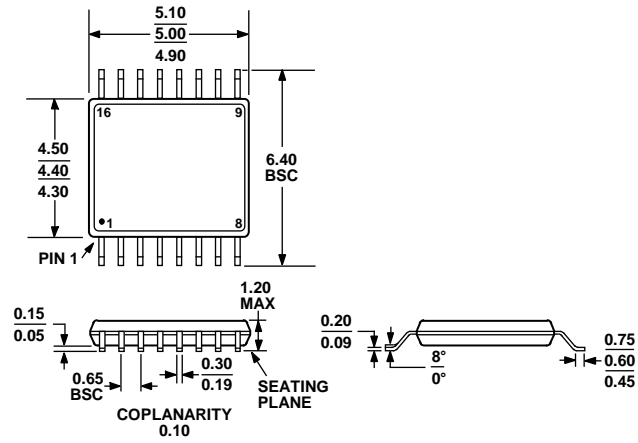
The AD7767/AD7767-1/AD7767-2 can be used with a multiplexer configuration. As per any converter that uses a digital filtering block, the maximum switching rate or the output data rate per channel is a function of the digital filter settling time.

A user multiplexing the analog inputs to a converter that employs a digital filter must wait the full digital filter settling time before a valid conversion result can be achieved; after this settling time, the channel can be switched. Then, the full settling time must again be observed before a valid conversion result is available and the input is switched once more.

The AD7767 filter settling time equals 74 divided by the output data rate in use. The maximum switching frequency in a multiplexed application is, therefore, 1/(74/ODR), where the output data rate (ODR) is a function of the applied MCLK frequency and the decimation rate employed by the device in question. For example, applying a 1.024 MHz MCLK frequency to the AD7767 results in a maximum output data rate of 128 kHz, which in turn allows a 1.729 kHz multiplexer switching rate.

The AD7767-1 and the AD7767-2 employ digital filters with longer settling time to achieve greater precision; thus, the maximum switching frequency for these devices is 864 Hz and 432 Hz, respectively.

## OUTLINE DIMENSIONS



COMPLIANT TO JEDEC STANDARDS MO-153-AB

Figure 47. 16-Lead Thin Shrink Small Outline Package [TSSOP] (RU-16)

Dimensions shown in millimeters

## ORDERING GUIDE

| Model <sup>1</sup> | Temperature Range | Package Description                               | Package Option |
|--------------------|-------------------|---|----------------|
| AD7767BRUZ         | -40°C to +105°C   | 16-Lead Thin Shrink Small Outline Package [TSSOP] | RU-16          |
| AD7767BRUZ-RL7     | -40°C to +105°C   | 16-Lead Thin Shrink Small Outline Package [TSSOP] | RU-16          |
| AD7767BRUZ-1       | -40°C to +105°C   | 16-Lead Thin Shrink Small Outline Package [TSSOP] | RU-16          |
| AD7767BRUZ-1-RL7   | -40°C to +105°C   | 16-Lead Thin Shrink Small Outline Package [TSSOP] | RU-16          |
| AD7767BRUZ-2       | -40°C to +105°C   | 16-Lead Thin Shrink Small Outline Package [TSSOP] | RU-16          |
| AD7767BRUZ-2-RL7   | -40°C to +105°C   | 16-Lead Thin Shrink Small Outline Package [TSSOP] | RU-16          |
| EVAL-AD7767EDZ     |                   | Evaluation Board                                  |                |
| EVAL-AD7767-1EDZ   |                   | Evaluation Board                                  |                |
| EVAL-AD7767-2EDZ   |                   | Evaluation Board                                  |                |
| EVAL-CED1Z         |                   | Converter Evaluation and Development Board        |                |

<sup>1</sup> Z = RoHS Compliant Part.

**AD7767**

**NOTES**

## Looking for pricing, stock, or lifecycle information?

Click below to explore more details on WIN SOURCE:

- ⊖ [View AD7767BRUZ-2-RL7 on WIN SOURCE](#)
- ⊖ [Analog Devices Inc. Information](#)

## Optimize Your Supply Chain with WIN SOURCE Solutions

- ✓ Global Sourcing Solution
- ✓ Obsolete Management
- ✓ Cost Control Management
- ✓ Shortage Management
- ✓ Alternative Solution
- ✓ Excess Inventory Management