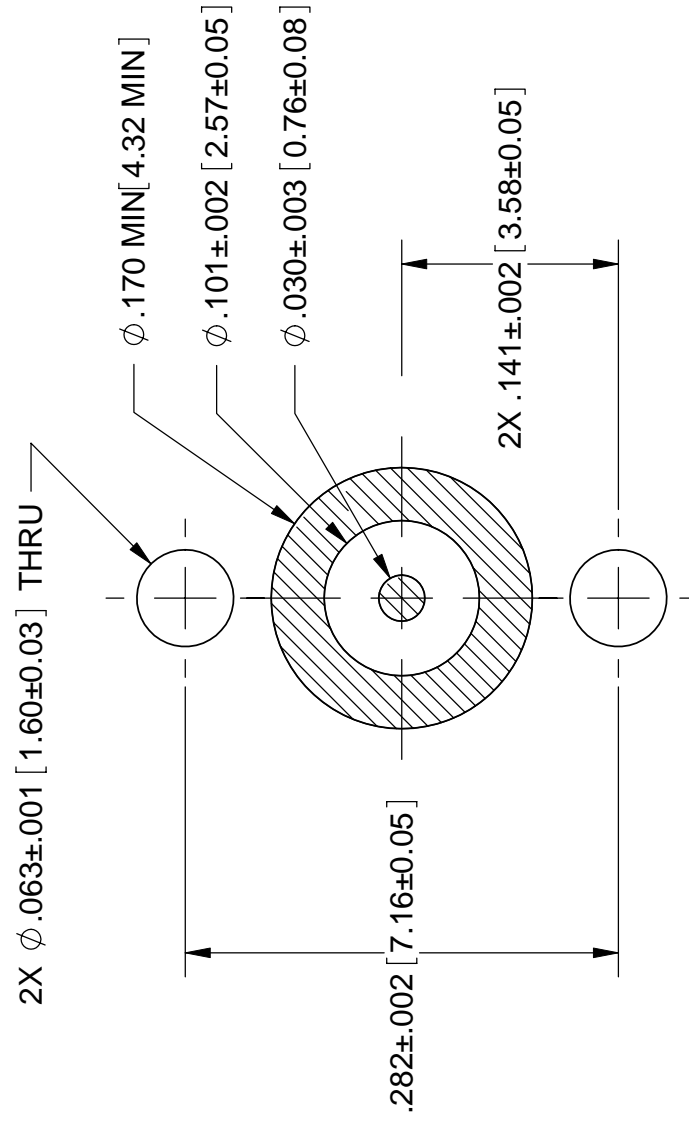




**THE DATASHEET OF
SF2921-6920**



PRODUCT DATA DRAWING



NOTES:

- FOR A FOOTPRINT RECOMMENDATION SPECIFIC TO YOUR PCB, PLEASE CONTACT US AT applications@svmicro.com

MATERIAL:

BODY: STAINLESS STEEL PER AMS-5640, ALLOY UNS S30300, TYPE 1

CONTACT: BERYLLIUM COPPER PER ASTM B196, ALLOY No. UNS C17300, TD04

INSULATOR: PTFE PER ASTM D1710, TYPE I, GRADE 1, CLASS B

FINISH:

BODY: PASSIVATED PER AMS-2700, TYPE 2

CONTACT: GOLD PER ASTM B488, TYPE II, CODE C, CLASS 1.27; OVER NICKEL PER AMS-QQ-N-290, CLASS 1, .00005" MIN.

PERFORMANCE:

IMPEDANCE: 50 OHMS

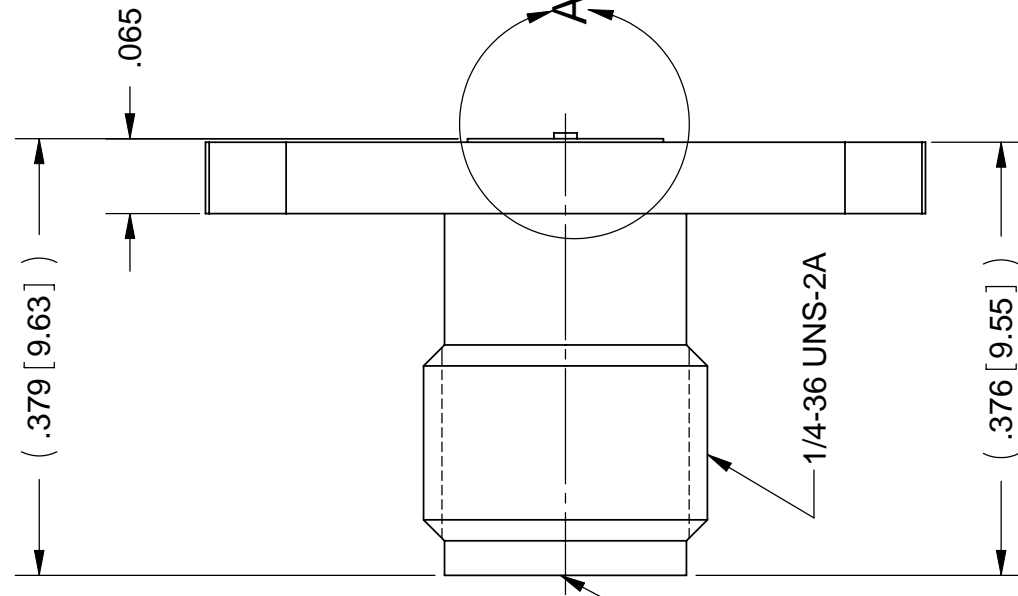
FREQ. RANGE: DC TO 27.0 GHZ

VSWR: 1.05+0.0045 X F(F IN GHZ)

INSERTION LOSS: .03 X SQRT(F(F IN GHZ))

DWV: 650 VRMS

OPERATING TEMP.: -55°C TO +150°C



MATERIAL: SEE NOTES

FINISH: SEE NOTES

SURFACE AREA: N/A

PROPRIETARY
THE INFORMATION CONTAINED IN THIS DRAWING IS THE SOLE PROPERTY OF SV MICROWAVE, INC. ANY REPRODUCTION OR TRANSMISSION OF THIS DRAWING WITHOUT THE WRITTEN PERMISSION OF SV MICROWAVE, INC. IS PROHIBITED.

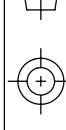
DIMENSIONS ARE IN INCHES

FRACTIONAL: \pm 1/64 ANG

DECIMAL: X \pm .030
XX \pm .010
XXX \pm .005

INTERPRET DIMENSIONS AS PER ASME Y14.5M - 1994

THIRD ANGLE PROJ



Looking for pricing, stock, or lifecycle information?

Click below to explore more details on WIN SOURCE:

[View SF2921-6920 on WIN SOURCE](#)

[Amphenol Information](#)

Optimize Your Supply Chain with WIN SOURCE Solutions

- ✓ Global Sourcing Solution
- ✓ Obsolete Management
- ✓ Cost Control Management
- ✓ Shortage Management
- ✓ Alternative Solution
- ✓ Excess Inventory Management