



**THE DATASHEET OF
ADG1633BRUZ**



FEATURES

- 4.5 Ω typical on resistance
- 1 Ω on-resistance flatness
- Up to 206 mA continuous current
- ± 3.3 V to ± 8 V dual-supply operation
- 3.3 V to 16 V single-supply operation
- No V_L supply required
- 3 V logic-compatible inputs
- Rail-to-rail operation

ADG1633

16-lead TSSOP and 16-lead, 3 mm \times 3 mm LFCSP

ADG1634

20-lead TSSOP and 20-lead, 4 mm \times 4 mm LFCSP

APPLICATIONS

- Communication systems
- Medical systems
- Audio signal routing
- Video signal routing
- Automatic test equipment
- Data acquisition systems
- Battery-powered systems
- Sample-and-hold systems
- Relay replacements

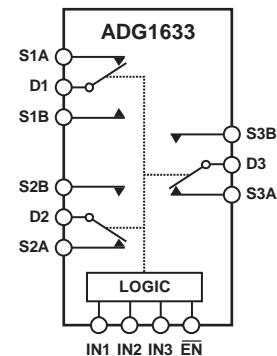
GENERAL DESCRIPTION

The [ADG1633](#) and [ADG1634](#) are monolithic industrial CMOS (*i*CMOS[®]) analog switches comprising three independently selectable single-pole, double-throw (SPDT) switches and four independently selectable SPDT switches, respectively.

All channels exhibit break-before-make switching action that prevents momentary shorting when switching channels. An \overline{EN} input on the [ADG1633](#) (LFCSP and TSSOP packages) and [ADG1634](#) (LFCSP package only) is used to enable or disable the devices. When disabled, all channels are switched off.

The ultralow on resistance and on-resistance flatness of these switches make them ideal solutions for data acquisition and gain switching applications, where low distortion is critical. *i*CMOS construction ensures ultralow power dissipation, making the parts ideally suited for portable and battery-powered instruments.

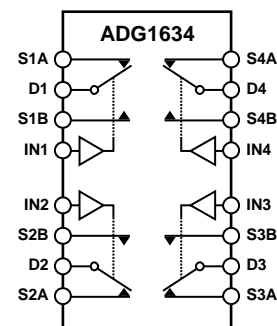
FUNCTIONAL BLOCK DIAGRAMS



SWITCHES SHOWN FOR A 1 INPUT LOGIC.

08319-001

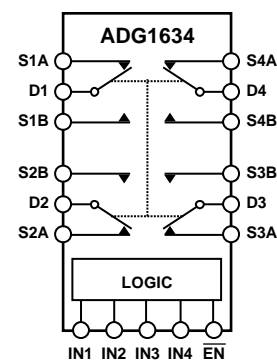
Figure 1. [ADG1633](#) TSSOP and LFCSP



SWITCHES SHOWN FOR A 1 INPUT LOGIC.

08319-002

Figure 2. [ADG1634](#) TSSOP



SWITCHES SHOWN FOR A 1 INPUT LOGIC.

08319-003

Figure 3. [ADG1634](#) LFCSP

Rev. B

Document Feedback

Information furnished by Analog Devices is believed to be accurate and reliable. However, no responsibility is assumed by Analog Devices for its use, nor for any infringements of patents or other rights of third parties that may result from its use. Specifications subject to change without notice. No license is granted by implication or otherwise under any patent or patent rights of Analog Devices. Trademarks and registered trademarks are the property of their respective owners.

TABLE OF CONTENTS

Features	1	Continuous Current per Channel, S or D	7
Applications	1	Absolute Maximum Ratings	8
General Description	1	ESD Caution.....	8
Functional Block Diagrams.....	1	Pin Configurations and Function Descriptions	9
Revision History	2	Typical Performance Characteristics	11
Specifications.....	3	Test Circuits.....	14
±5 V Dual Supply	3	Terminology	16
12 V Single Supply.....	4	Outline Dimensions	17
5 V Single Supply.....	5	Ordering Guide	19
3.3 V Single Supply.....	6		

REVISION HISTORY

8/2016—Rev. A to Rev. B

Changed CP-20-4 to CP-20-10	Throughout
Changes to Figure 5	9
Changes to Figure 7.....	10
Updated Outline Dimensions	18
Changes to Ordering Guide	19

9/2014—Rev. 0 to Rev. A

Changes to Figure 26, Figure 27, Figure 28.....	14
Updated Outline Dimensions	17
Changes to Ordering Guide	19

7/2009—Revision 0: Initial Version

SPECIFICATIONS

±5 V DUAL SUPPLY

$V_{DD} = +5\text{ V} \pm 10\%$, $V_{SS} = -5\text{ V} \pm 10\%$, $GND = 0\text{ V}$, unless otherwise noted.

Table 1.

Parameter	25°C	-40°C to +85°C	-40°C to +125°C	Unit	Test Conditions/Comments
ANALOG SWITCH					
Analog Signal Range			V_{DD} to V_{SS}	V	
On Resistance (R_{ON})	4.5			Ω typ	$V_S = \pm 4.5\text{ V}$, $I_S = -10\text{ mA}$; see Figure 26
	5	7	8	Ω max	$V_{DD} = \pm 4.5\text{ V}$, $V_{SS} = \pm 4.5\text{ V}$
On-Resistance Match Between Channels (ΔR_{ON})	0.12			Ω typ	$V_S = \pm 4.5\text{ V}$, $I_S = -10\text{ mA}$
	0.25	0.3	0.35	Ω max	
On-Resistance Flatness ($R_{FLAT(ON)}$)	1			Ω typ	$V_S = \pm 4.5\text{ V}$, $I_S = -10\text{ mA}$
	1.3	1.7	2	Ω max	
LEAKAGE CURRENTS					
Source Off Leakage, I_S (Off)	± 0.01			nA typ	$V_{DD} = +5.5\text{ V}$, $V_{SS} = -5.5\text{ V}$
	± 0.1	± 1.5	± 12	nA max	$V_S = \pm 4.5\text{ V}$, $V_D = \pm 4.5\text{ V}$; see Figure 27
Drain Off Leakage, I_D (Off)	± 0.02			nA typ	$V_S = \pm 4.5\text{ V}$, $V_D = \pm 4.5\text{ V}$; see Figure 27
	± 0.15	± 2	± 20	nA max	
Channel On Leakage, I_D , I_S (On)	± 0.02			nA typ	$V_S = V_D = \pm 4.5\text{ V}$; see Figure 28
	± 0.15	± 2	± 20	nA max	
DIGITAL INPUTS					
Input High Voltage, V_{INH}			2.0	V min	
Input Low Voltage, V_{INL}			0.8	V max	
Input Current, I_{INL} or I_{INH}	± 1			nA typ	$V_{IN} = V_{GND}$ or V_{DD}
			± 0.1	μA max	
Digital Input Capacitance, C_{IN}	8			pF typ	
DYNAMIC CHARACTERISTICS¹					
Transition Time, $t_{TRANSITION}$	161			ns typ	$R_L = 300\ \Omega$, $C_L = 35\text{ pF}$
	200	236	264	ns max	$V_S = 2.5\text{ V}$; see Figure 29
$t_{ON}(\overline{EN})$	61			ns typ	$R_L = 300\ \Omega$, $C_L = 35\text{ pF}$
	79	88	98	ns max	$V_S = 2.5\text{ V}$; see Figure 31
$t_{OFF}(\overline{EN})$	162			ns typ	$R_L = 300\ \Omega$, $C_L = 35\text{ pF}$
	199	232	259	ns max	$V_S = 2.5\text{ V}$; see Figure 31
Break-Before-Make Time Delay, t_D	44			ns typ	$R_L = 300\ \Omega$, $C_L = 35\text{ pF}$
			30	ns min	$V_{S1} = V_{S2} = 2.5\text{ V}$; see Figure 30
Charge Injection	-12.5			pC typ	$V_S = 0\text{ V}$, $R_S = 0\ \Omega$, $C_L = 1\text{ nF}$; see Figure 32
Off Isolation	-64			dB typ	$R_L = 50\ \Omega$, $C_L = 5\text{ pF}$, $f = 1\text{ MHz}$; see Figure 33
Channel-to-Channel Crosstalk	-64			dB typ	$R_L = 50\ \Omega$, $C_L = 5\text{ pF}$, $f = 1\text{ MHz}$; see Figure 35
Total Harmonic Distortion + Noise (THD + N)	0.3			% typ	$R_L = 110\ \Omega$, $V_S = 5\text{ V p-p}$, $f = 20\text{ Hz}$ to 20 kHz ; see Figure 36
-3 dB Bandwidth	103			MHz typ	$R_L = 50\ \Omega$, $C_L = 5\text{ pF}$; see Figure 34
C_S (Off)	19			pF typ	$V_S = 0\text{ V}$, $f = 1\text{ MHz}$
C_D (Off)	33			pF typ	$V_S = 0\text{ V}$, $f = 1\text{ MHz}$
C_D , C_S (On)	57			pF typ	$V_S = 0\text{ V}$, $f = 1\text{ MHz}$
POWER REQUIREMENTS					
I_{DD}	0.001			μA typ	$V_{DD} = +5.5\text{ V}$, $V_{SS} = -5.5\text{ V}$
			1.0	μA max	Digital inputs = 0 V or V_{DD}
V_{DD}/V_{SS}			$\pm 3.3/\pm 8$	V min/max	

¹ Guaranteed by design, but not subject to production test.

12 V SINGLE SUPPLY

$V_{DD} = 12\text{ V} \pm 10\%$, $V_{SS} = 0\text{ V}$, $GND = 0\text{ V}$, unless otherwise noted.

Table 2.

Parameter	25°C	-40°C to +85°C	-40°C to +125°C	Unit	Test Conditions/Comments
ANALOG SWITCH					
Analogue Signal Range			0 V to V_{DD}	V	
On Resistance (R_{ON})	4			Ω typ	$V_S = 0\text{ V}$ to 10 V , $I_S = -10\text{ mA}$; see Figure 26
	4.5	6.5	7.5	Ω max	$V_{DD} = 10.8\text{ V}$, $V_{SS} = 0\text{ V}$
On-Resistance Match Between Channels (ΔR_{ON})	0.12			Ω typ	$V_S = 10\text{ V}$, $I_S = -10\text{ mA}$
	0.25	0.3	0.35	Ω max	
On-Resistance Flatness ($R_{FLAT(ON)}$)	0.9			Ω typ	$V_S = 0\text{ V}$ to 10 V , $I_S = -10\text{ mA}$
	1.2	1.6	1.9	Ω max	
LEAKAGE CURRENTS					
Source Off Leakage, I_S (Off)	± 0.01			nA typ	$V_{DD} = 13.2\text{ V}$, $V_{SS} = 0\text{ V}$
	± 0.1	± 1.5	± 12	nA max	$V_S = 1\text{ V}/10\text{ V}$, $V_D = 10\text{ V}/1\text{ V}$; see Figure 27
Drain Off Leakage, I_D (Off)	± 0.02			nA typ	$V_S = 1\text{ V}/10\text{ V}$, $V_D = 10\text{ V}/1\text{ V}$; see Figure 27
	± 0.15	± 2	± 20	nA max	
Channel On Leakage, I_D , I_S (On)	± 0.02			nA typ	$V_S = V_D = 1\text{ V}$ or 10 V ; see Figure 28
	± 0.15	± 2	± 20	nA max	
DIGITAL INPUTS					
Input High Voltage, V_{INH}			2.0	V min	
Input Low Voltage, V_{INL}			0.8	V max	
Input Current, I_{INL} or I_{INH}	± 1			nA typ	$V_{IN} = V_{GND}$ or V_{DD}
			± 0.1	μA max	
Digital Input Capacitance, C_{IN}	8			pF typ	
DYNAMIC CHARACTERISTICS¹					
Transition Time, $t_{TRANSITION}$	127			ns typ	$R_L = 300\ \Omega$, $C_L = 35\text{ pF}$
	151	182	205	ns max	$V_S = 8\text{ V}$; see Figure 29
$t_{ON}(\overline{EN})$	31			ns typ	$R_L = 300\ \Omega$, $C_L = 35\text{ pF}$
	38	43	47	ns max	$V_S = 8\text{ V}$; see Figure 31
$t_{OFF}(\overline{EN})$	128			ns typ	$R_L = 300\ \Omega$, $C_L = 35\text{ pF}$
	152	180	200	ns max	$V_S = 8\text{ V}$; see Figure 31
Break-Before-Make Time Delay, t_D	45			ns typ	$R_L = 300\ \Omega$, $C_L = 35\text{ pF}$
			30	ns min	$V_{S1} = V_{S2} = 8\text{ V}$; see Figure 30
Charge Injection	-12.4			pC typ	$V_S = 6\text{ V}$, $R_S = 0\ \Omega$, $C_L = 1\text{ nF}$; see Figure 32
Off Isolation	-64			dB typ	$R_L = 50\ \Omega$, $C_L = 5\text{ pF}$, $f = 1\text{ MHz}$; see Figure 33
Channel-to-Channel Crosstalk	-64			dB typ	$R_L = 50\ \Omega$, $C_L = 5\text{ pF}$, $f = 1\text{ MHz}$; see Figure 35
Total Harmonic Distortion + Noise (THD + N)	0.3			% typ	$R_L = 110\ \Omega$, $V_S = 5\text{ V}$ p-p, $f = 20\text{ Hz}$ to 20 kHz ; see Figure 36
-3 dB Bandwidth	109			MHz typ	$R_L = 50\ \Omega$, $C_L = 5\text{ pF}$; see Figure 34
C_S (Off)	19			pF typ	$V_S = 6\text{ V}$, $f = 1\text{ MHz}$
C_D (Off)	32			pF typ	$V_S = 6\text{ V}$, $f = 1\text{ MHz}$
C_D , C_S (On)	56			pF typ	$V_S = 6\text{ V}$, $f = 1\text{ MHz}$
POWER REQUIREMENTS					
I_{DD}	0.001			μA typ	$V_{DD} = 12\text{ V}$
			1.0	μA max	Digital inputs = 0 V or V_{DD}
TSSOP	300			μA typ	Digital inputs = 5 V
			480	μA max	
LFCSP	375			μA typ	Digital inputs = 5 V
			600	μA max	
V_{DD}			3.3/16	V min/max	

¹ Guaranteed by design, but not subject to production test.

5 V SINGLE SUPPLY

$V_{DD} = 5\text{ V} \pm 10\%$, $V_{SS} = 0\text{ V}$, $GND = 0\text{ V}$, unless otherwise noted.

Table 3.

Parameter	25°C	-40°C to +85°C	-40°C to +125°C	Unit	Test Conditions/Comments
ANALOG SWITCH					
Analog Signal Range			0 V to V_{DD}	V	
On Resistance (R_{ON})	8.5			Ω typ	$V_S = 0\text{ V to } 4.5\text{ V}$, $I_S = -10\text{ mA}$; see Figure 26
	10	12.5	14	Ω max	$V_{DD} = 4.5\text{ V}$, $V_{SS} = 0\text{ V}$
On-Resistance Match Between Channels (ΔR_{ON})	0.15			Ω typ	$V_S = 0\text{ V to } 4.5\text{ V}$, $I_S = -10\text{ mA}$
	0.3	0.35	0.4	Ω max	
On-Resistance Flatness ($R_{FLAT(ON)}$)	1.7			Ω typ	$V_S = 0\text{ V to } 4.5\text{ V}$, $I_S = -10\text{ mA}$
	2.3	2.7	3	Ω max	
LEAKAGE CURRENTS					
Source Off Leakage, I_S (Off)	± 0.01			nA typ	$V_{DD} = 5.5\text{ V}$, $V_{SS} = 0\text{ V}$ $V_S = 1\text{ V}/4.5\text{ V}$, $V_D = 4.5\text{ V}/1\text{ V}$; see Figure 27
	± 0.1	± 1.5	± 12	nA max	
Drain Off Leakage, I_D (Off)	± 0.02			nA typ	$V_S = 1\text{ V}/4.5\text{ V}$, $V_D = 4.5\text{ V}/1\text{ V}$; see Figure 27
	± 0.15	± 2	± 20	nA max	
Channel On Leakage, I_D , I_S (On)	± 0.02			nA typ	$V_S = V_D = 1\text{ V or } 4.5\text{ V}$; see Figure 28
	± 0.15	± 2	± 20	nA max	
DIGITAL INPUTS					
Input High Voltage, V_{INH}			2.0	V min	
Input Low Voltage, V_{INL}			0.8	V max	
Input Current, I_{INL} or I_{INH}	± 1			nA typ	$V_{IN} = V_{GND}$ or V_{DD}
			± 0.1	$\mu\text{A max}$	
Digital Input Capacitance, C_{IN}	8			pF typ	
DYNAMIC CHARACTERISTICS¹					
Transition Time, $t_{TRANSITION}$	199			ns typ	$R_L = 300\ \Omega$, $C_L = 35\text{ pF}$
	254	303	337	ns max	$V_S = 2.5\text{ V}$; see Figure 29
$t_{ON}(\overline{EN})$	68			ns typ	$R_L = 300\ \Omega$, $C_L = 35\text{ pF}$
	90	102	110	ns max	$V_S = 2.5\text{ V}$; see Figure 31
$t_{OFF}(\overline{EN})$	201			ns typ	$R_L = 300\ \Omega$, $C_L = 35\text{ pF}$
	256	300	333	ns max	$V_S = 2.5\text{ V}$; see Figure 31
Break-Before-Make Time Delay, t_D	57			ns typ	$R_L = 300\ \Omega$, $C_L = 35\text{ pF}$
			37	ns min	$V_{S1} = V_{S2} = 2.5\text{ V}$; see Figure 30
Charge Injection	-5			pC typ	$V_S = 2.5\text{ V}$, $R_S = 0\ \Omega$, $C_L = 1\text{ nF}$; see Figure 32
Off Isolation	-64			dB typ	$R_L = 50\ \Omega$, $C_L = 5\text{ pF}$, $f = 100\text{ kHz}$; see Figure 33
Channel-to-Channel Crosstalk	-64			dB typ	$R_L = 50\ \Omega$, $C_L = 5\text{ pF}$, $f = 100\text{ kHz}$; see Figure 35
Total Harmonic Distortion + Noise (THD + N)	0.27			% typ	$R_L = 110\ \Omega$, $f = 20\text{ Hz to } 20\text{ kHz}$, $V_S = 3.5\text{ V p-p}$; see Figure 36
-3 dB Bandwidth	104			MHz typ	$R_L = 50\ \Omega$, $C_L = 5\text{ pF}$; see Figure 34
C_S (Off)	21			pF typ	$V_S = 2.5\text{ V}$, $f = 1\text{ MHz}$
C_D (Off)	37			pF typ	$V_S = 2.5\text{ V}$, $f = 1\text{ MHz}$
C_D , C_S (On)	62			pF typ	$V_S = 2.5\text{ V}$, $f = 1\text{ MHz}$
POWER REQUIREMENTS					
I_{DD}	0.001			$\mu\text{A typ}$	$V_{DD} = 5.5\text{ V}$ Digital inputs = 0 V or V_{DD}
			1.0	$\mu\text{A max}$	
V_{DD}			3.3/16	V min/max	

¹ Guaranteed by design, but not subject to production test.

3.3 V SINGLE SUPPLY

$V_{DD} = 3.3\text{ V}$, $V_{SS} = 0\text{ V}$, $GND = 0\text{ V}$, unless otherwise noted.

Table 4.

Parameter	25°C	-40°C to +85°C	-40°C to +125°C	Unit	Test Conditions/Comments
ANALOG SWITCH					
Analog Signal Range			0 V to V_{DD}	V	
On Resistance (R_{ON})	13.5	15	16.5	Ω typ	$V_S = 0\text{ V}$ to V_{DD} , $I_S = -10\text{ mA}$; see Figure 26, $V_{DD} = 3.3\text{ V}$, $V_{SS} = 0\text{ V}$
On-Resistance Match Between Channels (ΔR_{ON})	0.25	0.28	0.3	Ω typ	$V_S = 0\text{ V}$ to V_{DD} , $I_S = -10\text{ mA}$
On-Resistance Flatness ($R_{FLAT(ON)}$)	5	5.5	6.5	Ω typ	$V_S = 0\text{ V}$ to V_{DD} , $I_S = -10\text{ mA}$
LEAKAGE CURRENTS					
Source Off Leakage, I_S (Off)	± 0.01			nA typ	$V_{DD} = 3.6\text{ V}$, $V_{SS} = 0\text{ V}$
	± 0.1	± 1.5	± 12	nA max	$V_S = 0.6\text{ V}/3\text{ V}$, $V_D = 3\text{ V}/0.6\text{ V}$; see Figure 27
Drain Off Leakage, I_D (Off)	± 0.01			nA typ	$V_S = 0.6\text{ V}/3\text{ V}$, $V_D = 3\text{ V}/0.6\text{ V}$; see Figure 27
	± 0.15	± 2	± 20	nA max	
Channel On Leakage, I_D , I_S (On)	± 0.01			nA typ	$V_S = V_D = 0.6\text{ V}$ or 3 V ; see Figure 28
	± 0.15	± 2	± 20	nA max	
DIGITAL INPUTS					
Input High Voltage, V_{INH}			2.0	V min	
Input Low Voltage, V_{INL}			0.8	V max	
Input Current, I_{INL} or I_{INH}	± 1			nA typ	$V_{IN} = V_{GND}$ or V_{DD}
			± 0.1	μA max	
Digital Input Capacitance, C_{IN}	8			pF typ	
DYNAMIC CHARACTERISTICS¹					
Transition Time, $t_{TRANSITION}$	309			ns typ	$R_L = 300\ \Omega$, $C_L = 35\text{ pF}$
	429	466	508	ns max	$V_S = 1.5\text{ V}$; see Figure 29
$t_{ON}(\overline{EN})$	132			ns typ	$R_L = 300\ \Omega$, $C_L = 35\text{ pF}$
	184	201	210	ns max	$V_S = 1.5\text{ V}$; see Figure 31
$t_{OFF}(\overline{EN})$	313			ns typ	$R_L = 300\ \Omega$, $C_L = 35\text{ pF}$
	416	470	509	ns max	$V_S = 1.5\text{ V}$; see Figure 31
Break-Before-Make Time Delay, t_D	81			ns typ	$R_L = 300\ \Omega$, $C_L = 35\text{ pF}$
			48	ns min	$V_{S1} = V_{S2} = 1.5\text{ V}$; see Figure 30
Charge Injection	-10			pC typ	$V_S = 1.5\text{ V}$, $R_S = 0\ \Omega$, $C_L = 1\text{ nF}$; see Figure 32
Off Isolation	-64			dB typ	$R_L = 50\ \Omega$, $C_L = 5\text{ pF}$, $f = 100\text{ kHz}$; see Figure 33
Channel-to-Channel Crosstalk	-64			dB typ	$R_L = 50\ \Omega$, $C_L = 5\text{ pF}$, $f = 100\text{ kHz}$; see Figure 35
Total Harmonic Distortion + Noise (THD + N)	0.6			% typ	$R_L = 110\ \Omega$, $f = 20\text{ Hz}$ to 20 kHz , $V_S = 2\text{ V p-p}$; see Figure 36
-3 dB Bandwidth	117			MHz typ	$R_L = 50\ \Omega$, $C_L = 5\text{ pF}$; see Figure 34
C_S (Off)	22			pF typ	$V_S = 1.5\text{ V}$, $f = 1\text{ MHz}$
C_D (Off)	39			pF typ	$V_S = 1.5\text{ V}$, $f = 1\text{ MHz}$
C_D , C_S (On)	64			pF typ	$V_S = 1.5\text{ V}$, $f = 1\text{ MHz}$
POWER REQUIREMENTS					
I_{DD}	0.001			μA typ	$V_{DD} = 3.6\text{ V}$
			1.0	μA max	Digital inputs = 0 V or V_{DD}
V_{DD}			3.3/16	V min/max	

¹ Guaranteed by design, but not subject to production test.

CONTINUOUS CURRENT PER CHANNEL, S OR D**Table 5. ADG1633**

Parameter	25°C	85°C	125°C	Unit
CONTINUOUS CURRENT, S OR D				
$V_{DD} = +5\text{ V}, V_{SS} = -5\text{ V}$				
TSSOP ($\theta_{JA} = 112.6^\circ\text{C/W}$)	126	84	56	mA max
LFCSP ($\theta_{JA} = 48.7^\circ\text{C/W}$)	206	126	70	mA max
$V_{DD} = 12\text{ V}, V_{SS} = 0\text{ V}$				
TSSOP ($\theta_{JA} = 112.6^\circ\text{C/W}$)	133	87	56	mA max
LFCSP ($\theta_{JA} = 48.7^\circ\text{C/W}$)	213	133	73	mA max
$V_{DD} = 5\text{ V}, V_{SS} = 0\text{ V}$				
TSSOP ($\theta_{JA} = 112.6^\circ\text{C/W}$)	98	70	45	mA max
LFCSP ($\theta_{JA} = 48.7^\circ\text{C/W}$)	157	105	63	mA max
$V_{DD} = 3.3\text{ V}, V_{SS} = 0\text{ V}$				
TSSOP ($\theta_{JA} = 112.6^\circ\text{C/W}$)	77	56	38	mA max
LFCSP ($\theta_{JA} = 48.7^\circ\text{C/W}$)	129	87	56	mA max

Table 6. ADG1634

Parameter	25°C	85°C	125°C	Unit
CONTINUOUS CURRENT, S OR D				
$V_{DD} = +5\text{ V}, V_{SS} = -5\text{ V}$				
TSSOP ($\theta_{JA} = 95^\circ\text{C/W}$)	112	77	52	mA max
LFCSP ($\theta_{JA} = 30.4^\circ\text{C/W}$)	220	136	73	mA max
$V_{DD} = 12\text{ V}, V_{SS} = 0\text{ V}$				
TSSOP ($\theta_{JA} = 95^\circ\text{C/W}$)	119	80	52	mA max
LFCSP ($\theta_{JA} = 30.4^\circ\text{C/W}$)	234	140	73	mA max
$V_{DD} = 5\text{ V}, V_{SS} = 0\text{ V}$				
TSSOP ($\theta_{JA} = 95^\circ\text{C/W}$)	87	63	42	mA max
LFCSP ($\theta_{JA} = 30.4^\circ\text{C/W}$)	171	112	66	mA max
$V_{DD} = 3.3\text{ V}, V_{SS} = 0\text{ V}$				
TSSOP ($\theta_{JA} = 95^\circ\text{C/W}$)	70	52	35	mA max
LFCSP ($\theta_{JA} = 30.4^\circ\text{C/W}$)	140	94	59	mA max

ABSOLUTE MAXIMUM RATINGS

$T_A = 25^\circ\text{C}$, unless otherwise noted.

Table 7.

Parameter	Rating
V_{DD} to V_{SS}	18 V
V_{DD} to GND	-0.3 V to +18 V
V_{SS} to GND	+0.3 V to -18 V
Analog Inputs ¹	$V_{SS} - 0.3\text{ V}$ to $V_{DD} + 0.3\text{ V}$ or 30 mA, whichever occurs first
Digital Inputs ¹	GND - 0.3 V to $V_{DD} + 0.3\text{ V}$ or 30 mA, whichever occurs first
Peak Current, S or D	450 mA (pulsed at 1 ms, 10% duty cycle maximum)
Continuous Current, S or D ²	Data + 15%
Operating Temperature Range	
Industrial (Y Version)	-40°C to +125°C
Storage Temperature Range	-65°C to +150°C
Junction Temperature	150°C
16-Lead TSSOP, θ_{JA} Thermal Impedance, 0 Airflow (4-Layer Board)	112.6°C/W
20-Lead TSSOP, θ_{JA} Thermal Impedance, 0 Airflow (4-Layer Board)	95°C/W
16-Lead LFCSP (3 mm × 3 mm), θ_{JA} Thermal Impedance, 0 Airflow (4-Layer Board)	48.7°C/W
16-Lead LFCSP (4 mm × 4 mm), θ_{JA} Thermal Impedance, 0 Airflow (4-Layer Board)	30.4°C/W
Reflow Soldering Peak Temperature, Pb free	260°C

¹ Overvoltages at IN, S, or D are clamped by internal diodes. Current should be limited to the maximum ratings given.

² See Table 5 and Table 6.

Stresses at or above those listed under Absolute Maximum Ratings may cause permanent damage to the product. This is a stress rating only; functional operation of the product at these or any other conditions above those indicated in the operational section of this specification is not implied. Operation beyond the maximum operating conditions for extended periods may affect product reliability.

ESD CAUTION



ESD (electrostatic discharge) sensitive device. Charged devices and circuit boards can discharge without detection. Although this product features patented or proprietary protection circuitry, damage may occur on devices subjected to high energy ESD. Therefore, proper ESD precautions should be taken to avoid performance degradation or loss of functionality.

PIN CONFIGURATIONS AND FUNCTION DESCRIPTIONS

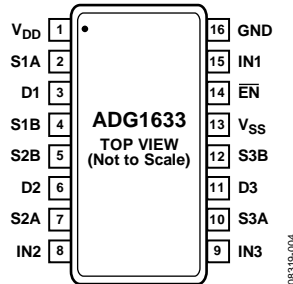
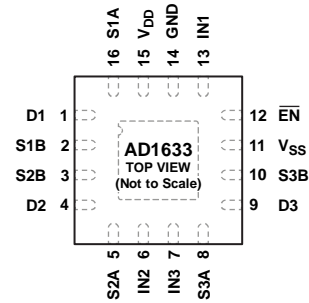


Figure 4. ADG1633 TSSOP Pin Configuration



NOTES
1. EXPOSED PAD IS TIED TO THE SUBSTRATE, V_{SS} .

Figure 5. ADG1633 LFCSP Pin Configuration

Table 8. ADG1633 Pin Function Descriptions

Pin No.		Mnemonic	Description
TSSOP	LFCSP		
1	15	V_{DD}	Most Positive Power Supply Potential.
2	16	S1A	Source Terminal 1A. Can be an input or an output.
3	1	D1	Drain Terminal 1. Can be an input or an output.
4	2	S1B	Source Terminal 1B. Can be an input or an output.
5	3	S2B	Source Terminal 2B. Can be an input or an output.
6	4	D2	Drain Terminal 2. Can be an input or an output.
7	5	S2A	Source Terminal 2A. Can be an input or an output.
8	6	IN2	Logic Control Input 2.
9	7	IN3	Logic Control Input 3.
10	8	S3A	Source Terminal 3A. Can be an input or an output.
11	9	D3	Drain Terminal 3. Can be an input or an output.
12	10	S3B	Source Terminal 3B. Can be an input or an output.
13	11	V_{SS}	Most Negative Power Supply Potential. In single-supply applications, this pin can be connected to ground.
14	12	\overline{EN}	Active Low Digital Input. When this pin is high, the device is disabled and all switches are off. When this pin is low, INx logic inputs determine the on switches.
15	13	IN1	Logic Control Input 1.
16	14	GND	Ground (0 V) Reference.
N/A	17	EP	Exposed Pad. The exposed pad is tied to the substrate, V_{SS} .

Table 9. ADG1633 Truth Table

\overline{EN}	INx	SxA	SxB
1	X ¹	Off	Off
0	0	Off	On
0	1	On	Off

¹X = don't care.

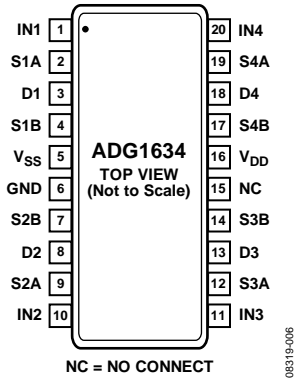
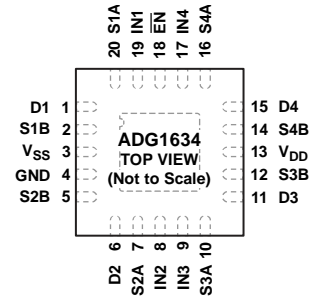


Figure 6. ADG1634 TSSOP Pin Configuration



NOTES
1. EXPOSED PAD IS TIED TO THE SUBSTRATE, V_{SS} .

Figure 7. ADG1634 LFCSP Pin Configuration

Table 10. ADG1634 Pin Function Descriptions

Pin No.		Mnemonic	Description
TSSOP	LFCSP		
1	19	IN1	Logic Control Input 1.
2	20	S1A	Source Terminal 1A. Can be an input or an output.
3	1	D1	Drain Terminal 1. Can be an input or an output.
4	2	S1B	Source Terminal 1B. Can be an input or an output.
5	3	V_{SS}	Most Negative Power Supply Potential. In single-supply applications, this pin can be connected to ground.
6	4	GND	Ground (0 V) Reference.
7	5	S2B	Source Terminal 2B. Can be an input or an output.
8	6	D2	Drain Terminal 2. Can be an input or an output.
9	7	S2A	Source Terminal 2A. Can be an input or an output.
10	8	IN2	Logic Control Input 2.
11	9	IN3	Logic Control Input 3.
12	10	S3A	Source Terminal 3A. Can be an input or an output.
13	11	D3	Drain Terminal 3. Can be an input or an output.
14	12	S3B	Source Terminal 3B. Can be an input or an output.
15	N/A	NC	No Connect.
16	13	V_{DD}	Most Positive Power Supply Potential.
17	14	S4B	Source Terminal 4B. Can be an input or an output.
18	15	D4	Drain Terminal 4. Can be an input or an output.
19	16	S4A	Source Terminal 4A. Can be an input or an output.
20	17	IN4	Logic Control Input 4.
N/A	18	\overline{EN}	Active Low Digital Input. When this pin is high, the device is disabled and all switches are off. When this pin is low, INx logic inputs determine the on switches.
N/A	21	EP	Exposed Pad. The exposed pad is tied to the substrate, V_{SS} .

Table 11. ADG1634 TSSOP Truth Table

INx	SxA	SxB
0	Off	On
1	On	Off

Table 12. ADG1634 LFCSP Truth Table

\overline{EN}	INx	SxA	SxB
1	X ¹	Off	Off
0	0	Off	On
0	1	On	Off

¹ X = don't care.

TYPICAL PERFORMANCE CHARACTERISTICS

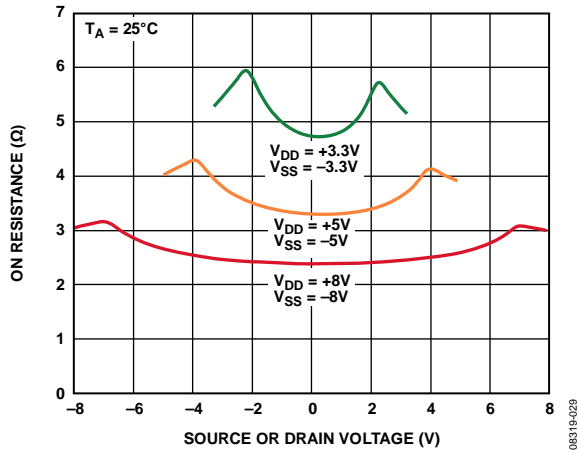


Figure 8. On Resistance vs. V_D (V_S), Dual Supply

08319-029

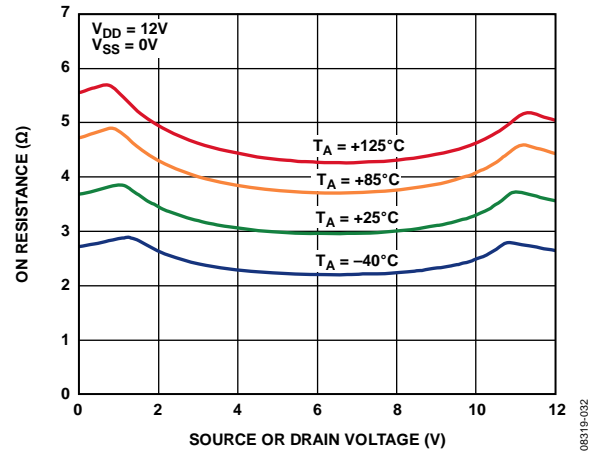


Figure 11. On Resistance vs. V_D (V_S) for Different Temperatures, 12 V Single Supply

08319-032

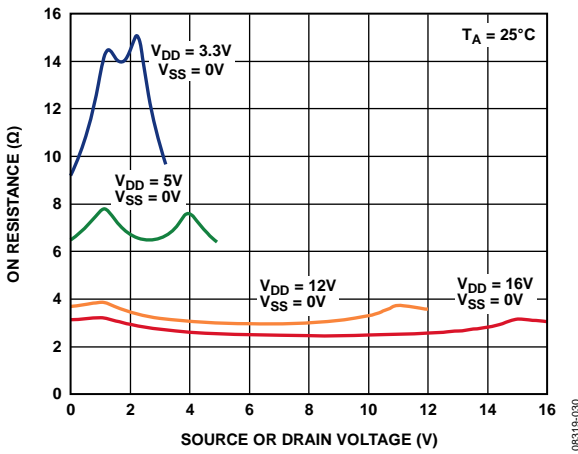


Figure 9. On Resistance vs. V_D (V_S), Single Supply

08319-030

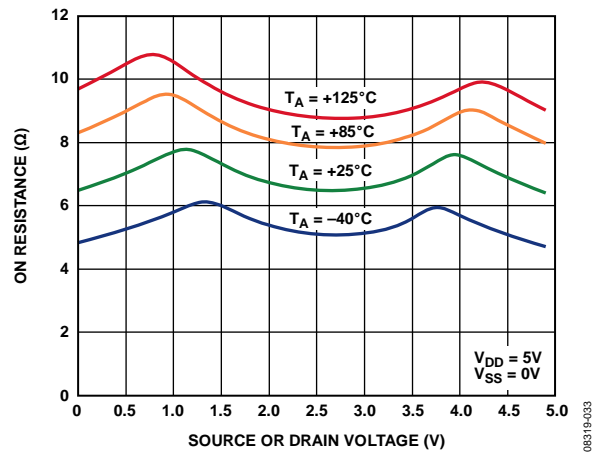


Figure 12. On Resistance vs. V_D (V_S) for Different Temperatures, 5 V Single Supply

08319-033

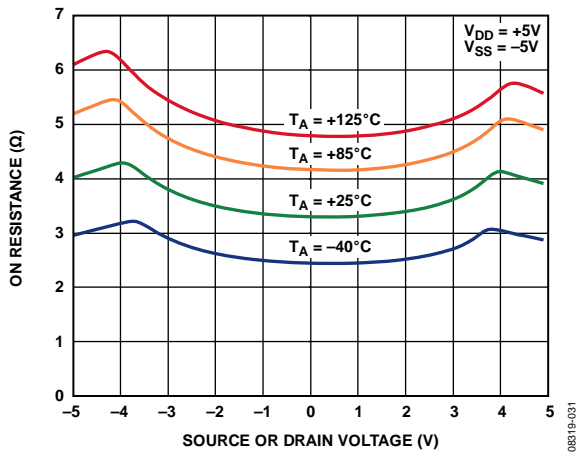


Figure 10. On Resistance vs. V_D (V_S) for Different Temperatures, ± 5 V Dual Supply

08319-031

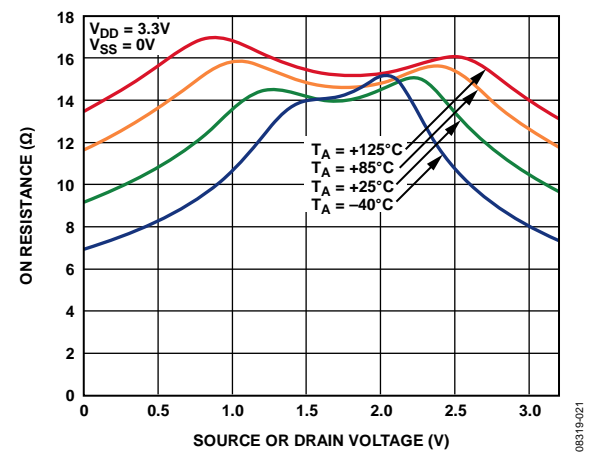


Figure 13. On Resistance vs. V_D (V_S) for Different Temperatures, 3.3 V Single Supply

08319-021

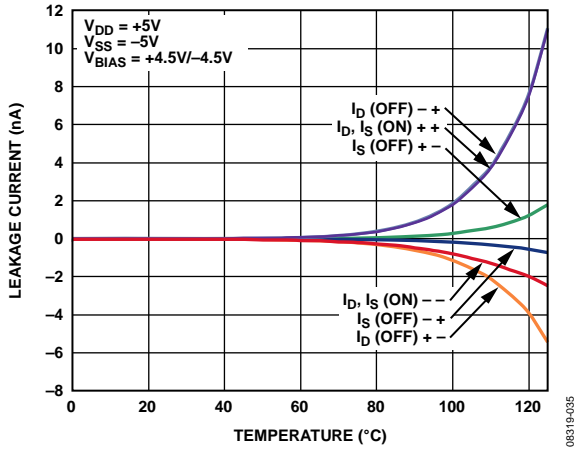


Figure 14. ADG1633 Leakage Currents vs. Temperature, ±5V Dual Supply

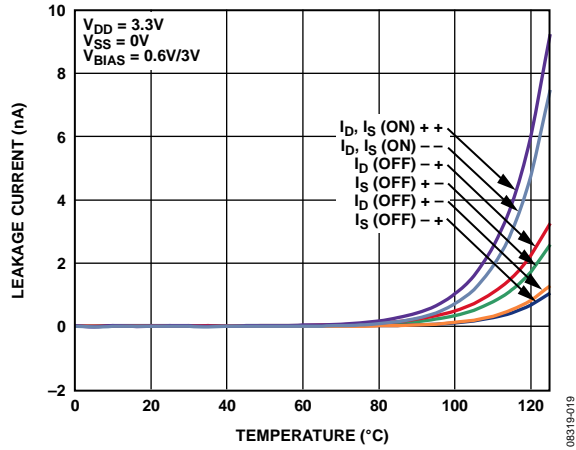


Figure 17. ADG1633 Leakage Currents vs. Temperature, 3.3V Single Supply

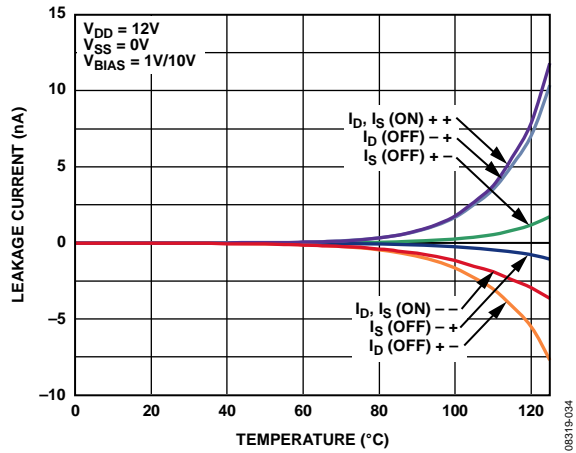


Figure 15. ADG1633 Leakage Currents vs. Temperature, 12V Single Supply

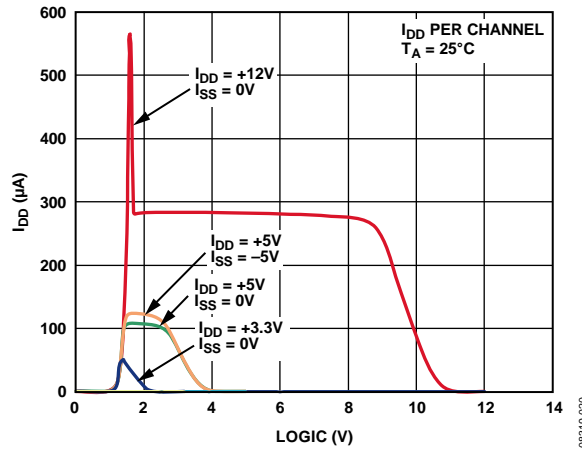


Figure 18. I_{DD} vs. Logic Level

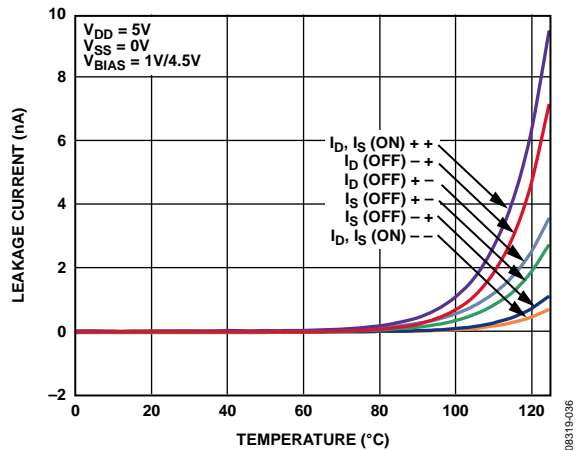


Figure 16. ADG1633 Leakage Currents vs. Temperature, 5V Single Supply

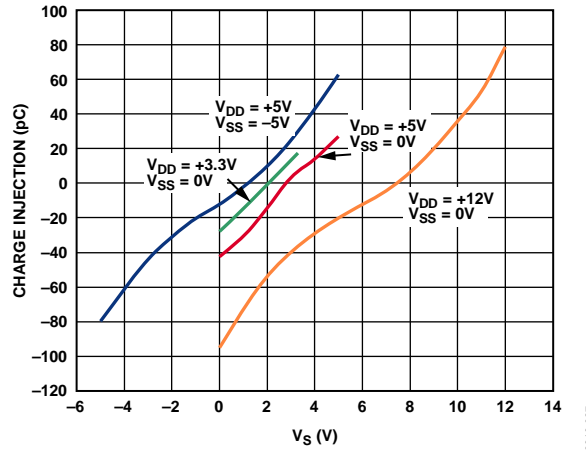


Figure 19. Charge Injection vs. Source Voltage

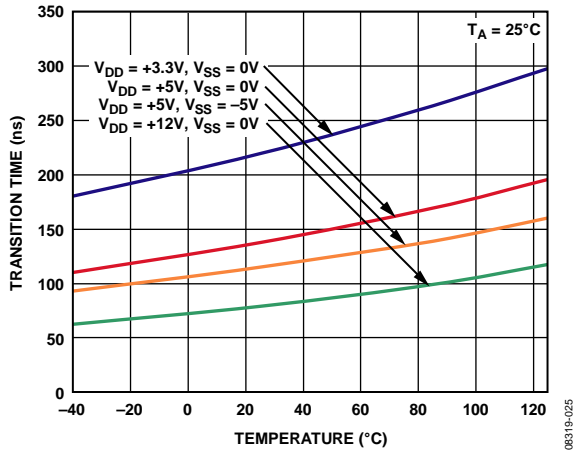


Figure 20. Transition Time vs. Temperature

08319-025

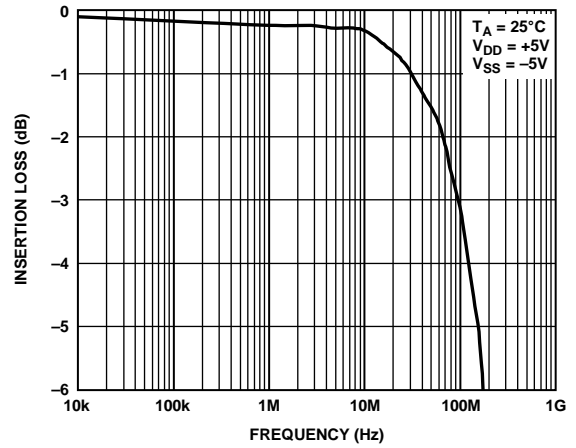


Figure 23. On Response vs. Frequency

08319-022

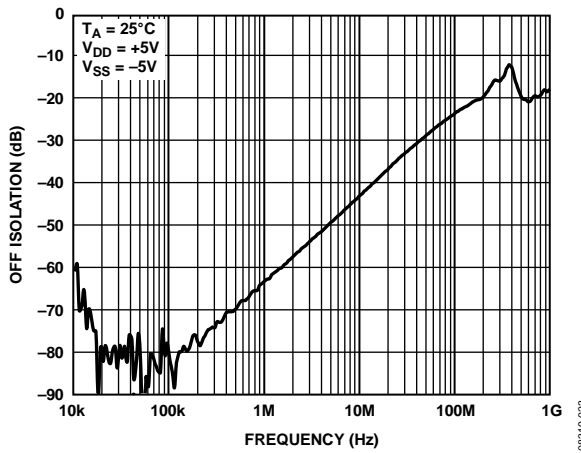


Figure 21. Off Isolation vs. Frequency

08319-023

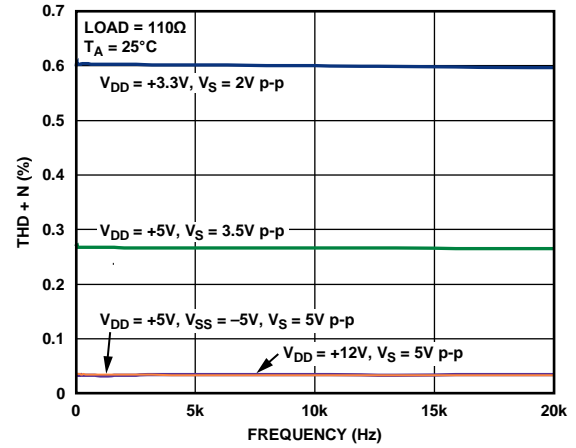


Figure 24. THD + N vs. Frequency

08319-028

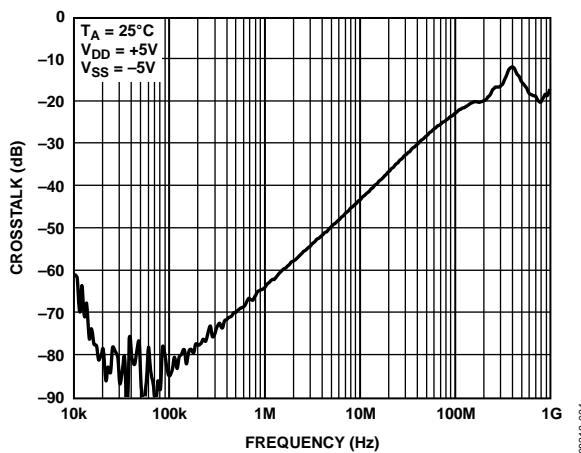


Figure 22. Crosstalk vs. Frequency

08319-024

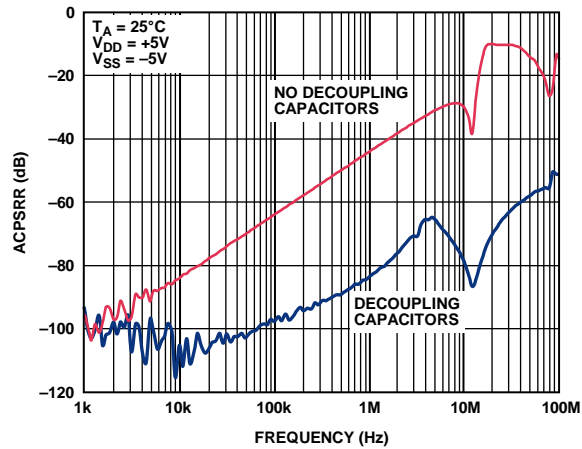


Figure 25. ACPSRR vs. Frequency

08319-026

TEST CIRCUITS

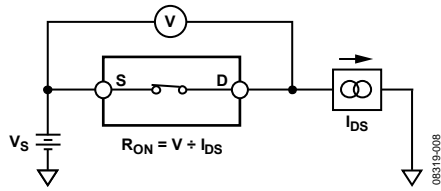


Figure 26. On Resistance

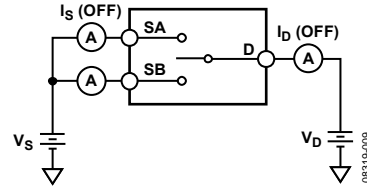


Figure 27. Off Leakage

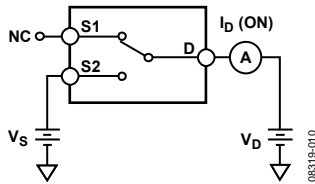


Figure 28. On Leakage

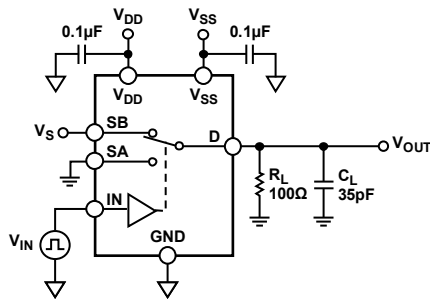


Figure 29. Switching Timing

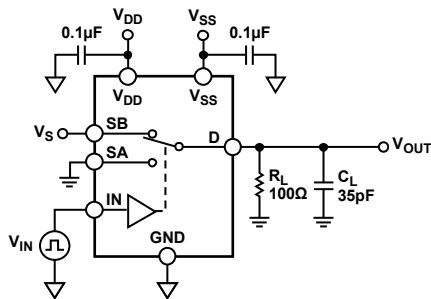
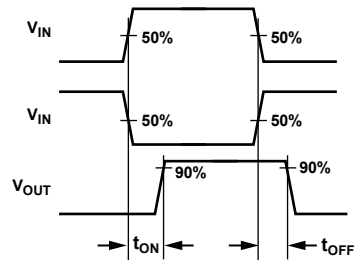


Figure 30. Break-Before-Make Delay, t_D

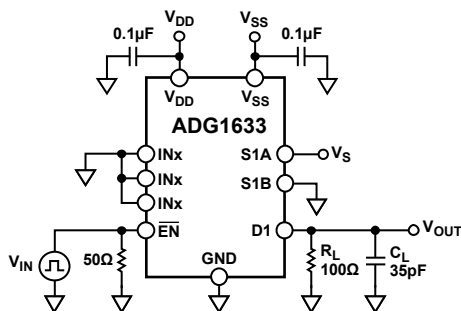
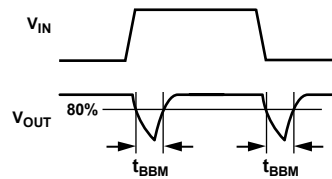
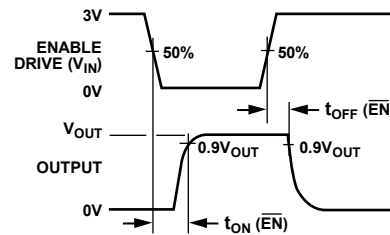


Figure 31. Enable Delay, $t_{ON}(\overline{EN})$, $t_{OFF}(\overline{EN})$



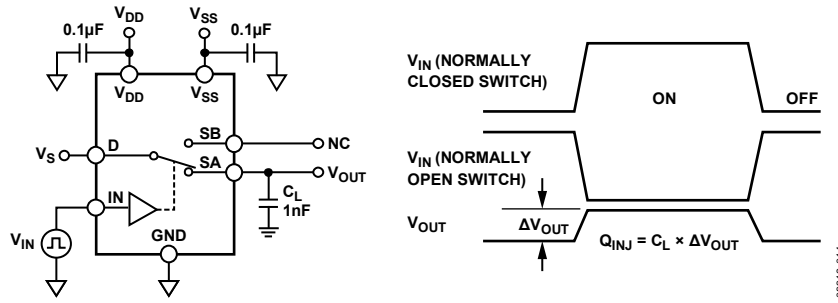


Figure 32. Charge Injection

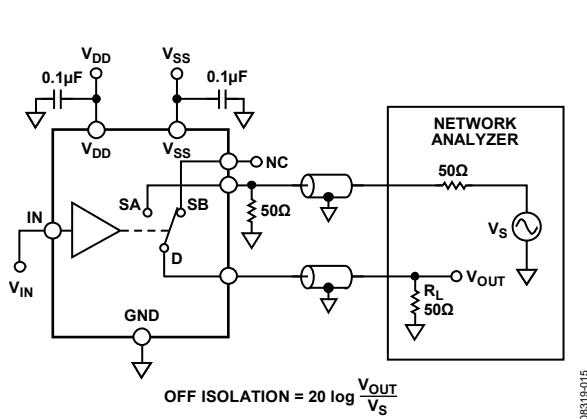


Figure 33. Off Isolation

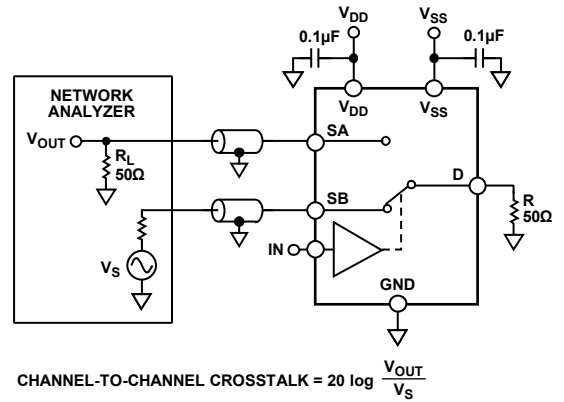


Figure 35. Channel-to-Channel Crosstalk

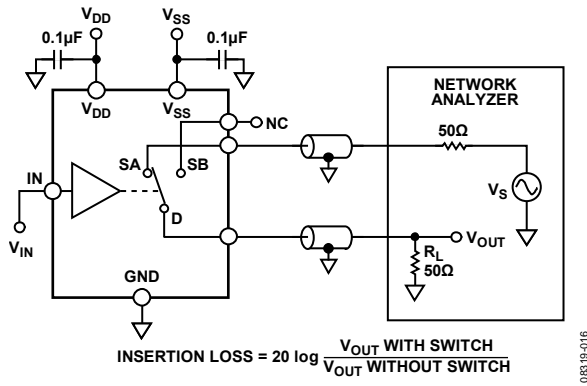


Figure 34. Bandwidth

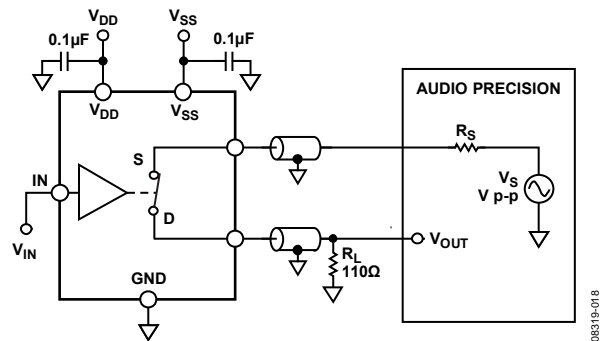


Figure 36. THD + Noise

TERMINOLOGY

R_{ON}

Ohmic resistance between Terminal D and Terminal S.

ΔR_{ON}

The difference between the R_{ON} of any two channels.

$R_{FLAT(ON)}$

The difference between the maximum and minimum value of on resistance measured.

I_S (Off)

Source leakage current when the switch is off.

I_D (Off)

Drain leakage current when the switch is off.

I_D, I_S (On)

Channel leakage current when the switch is on.

V_D (V_S)

Analog voltage on Terminal D and Terminal S.

C_S (Off)

Channel input capacitance for off condition.

C_D (Off)

Channel output capacitance for off condition.

C_D, C_S (On)

On switch capacitance.

C_{IN}

Digital input capacitance.

t_{ON} (\overline{EN})

Delay time between the 50% and 90% points of the digital input and switch on condition.

t_{OFF} (\overline{EN})

Delay time between the 50% and 90% points of the digital input and switch off condition.

t_{TRANS}

Delay time between the 50% and 90% points of the digital inputs and the switch on condition when switching from one address state to another.

t_{BBM}

Off time measured between the 80% point of both switches when switching from one address state to another.

V_{IL}

Maximum input voltage for Logic 0.

V_{IH}

Minimum input voltage for Logic 1.

I_{IL} (I_{IH})

Input current of the digital input.

I_{DD}

Positive supply current.

I_{SS}

Negative supply current.

Off Isolation

A measure of unwanted signal coupling through an off channel.

Charge Injection

A measure of the glitch impulse transferred from the digital input to the analog output during switching.

Bandwidth

The frequency at which the output is attenuated by 3 dB.

On Response

The frequency response of the on switch.

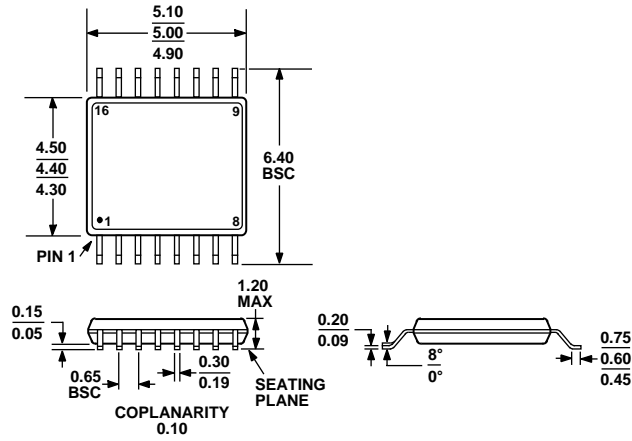
Total Harmonic Distortion + Noise (THD + N)

The ratio of the harmonic amplitude plus noise of the signal to the fundamental.

AC Power Supply Rejection Ratio (ACPSRR)

A measure of the ability of a part to avoid coupling noise and spurious signals that appear on the supply voltage pin to the output of the switch. The dc voltage on the device is modulated by a sine wave of 0.62 V p-p. The ratio of the amplitude of signal on the output to the amplitude of the modulation is the ACPSRR.

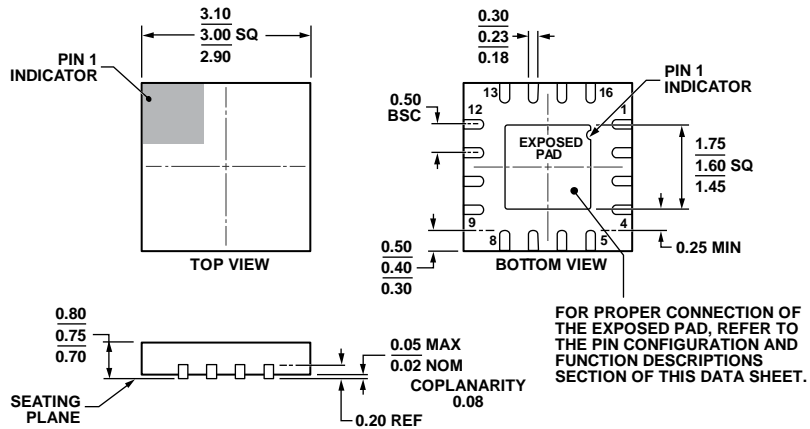
OUTLINE DIMENSIONS



COMPLIANT TO JEDEC STANDARDS MO-153-AB

Figure 37. 16-Lead Thin Shrink Small Outline Package [TSSOP] (RU-16)

Dimensions shown in millimeters

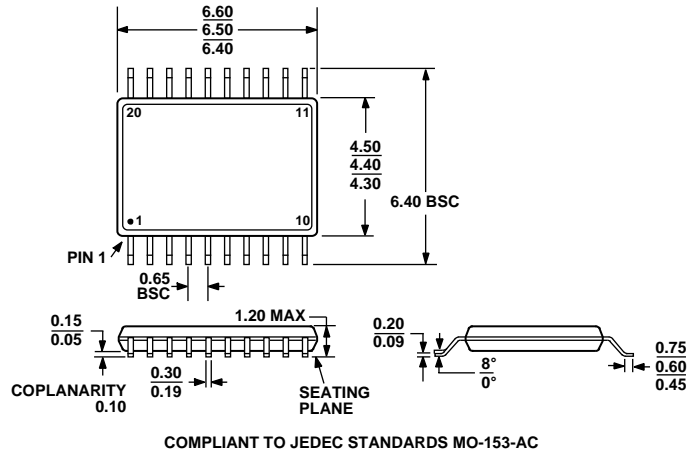


COMPLIANT TO JEDEC STANDARDS MO-220-WEED-6.

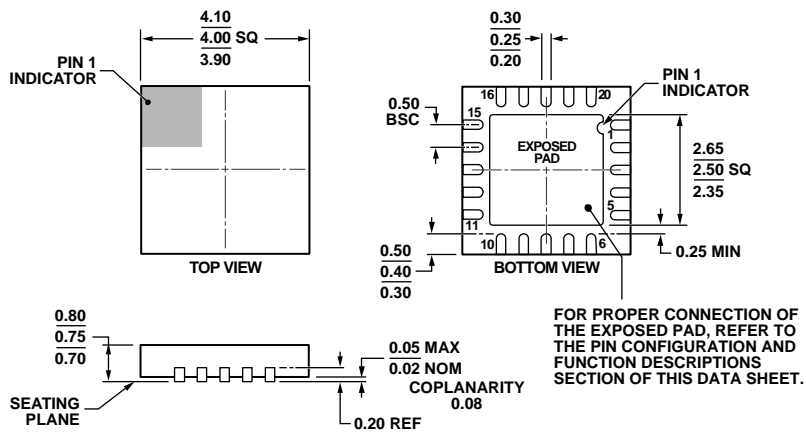
Figure 38. 16-Lead Lead Frame Chip Scale Package [LFCSPP] 3 mm x 3 mm and 0.75 mm Package Height (CP-16-22)

Dimensions shown in millimeters

08F16-2010-E



COMPLIANT TO JEDEC STANDARDS MO-153-AC
 Figure 39. 20-Lead Thin Shrink Small Outline Package [TSSOP]
 (RU-20)
 Dimensions shown in millimeters



COMPLIANT TO JEDEC STANDARDS MO-220-WGGD.
 Figure 40. 20-Lead Lead Frame Chip Scale Package [LFCSPP]
 4 mm x 4 mm Body and 0.75 mm Package Height
 (CP-20-10)
 Dimensions shown in millimeters

061609-B

ORDERING GUIDE

Model ¹	Temperature Range	Description	$\overline{\text{EN}}$ Pin	Package Option	Branding
ADG1633BRUZ	-40°C to +125°C	16-Lead Thin Shrink Small Outline Package [TSSOP]	Yes	RU-16	
ADG1633BRUZ-REEL7	-40°C to +125°C	16-Lead Thin Shrink Small Outline Package [TSSOP]	Yes	RU-16	
ADG1633BCPZ-REEL7	-40°C to +125°C	16-Lead Lead Frame Chip Scale Package [LFCSP]	Yes	CP-16-22	SD3
ADG1634BRUZ	-40°C to +125°C	20-Lead Thin Shrink Small Outline Package [TSSOP]	No	RU-20	
ADG1634BRUZ-REEL7	-40°C to +125°C	20-Lead Thin Shrink Small Outline Package [TSSOP]	No	RU-20	
ADG1634BCPZ-REEL7	-40°C to +125°C	20-Lead Lead Frame Chip Scale Package [LFCSP]	Yes	CP-20-10	

¹ Z = RoHS Compliant Part.

Looking for pricing, stock, or lifecycle information?

Click below to explore more details on WIN SOURCE:

 [View ADG1633BRUZ on WIN SOURCE](#)

 [Analog Devices Inc. Information](#)

Optimize Your Supply Chain with WIN SOURCE Solutions

-  Global Sourcing Solution
-  Obsolete Management
-  Cost Control Management
-  Shortage Management
-  Alternative Solution
-  Excess Inventory Management