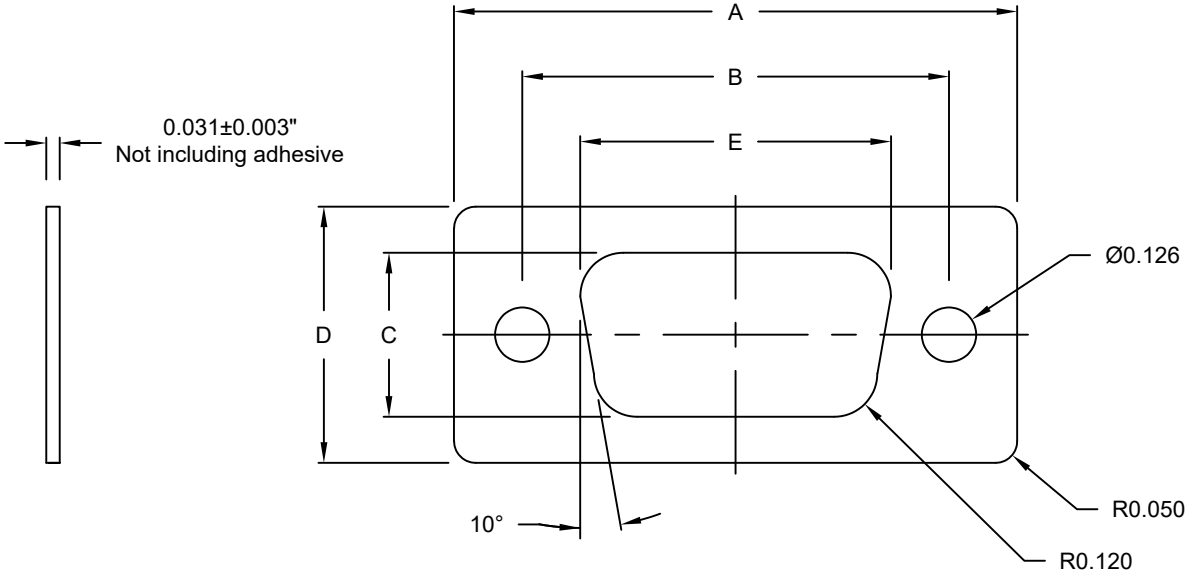




# THE DATASHEET OF SFP6715





SHELL SIZE	DIMENSIONS <small>(inch/mm)</small>				
	A <sup>±0.020</sup> / <sub>±0.50</sub>	B <sup>±0.020</sup> / <sub>±0.50</sub>	C <sup>±0.020</sup> / <sub>±0.50</sub>	D <sup>±0.020</sup> / <sub>±0.50</sub>	E <sup>±0.020</sup> / <sub>±0.50</sub>
09	1.299	0.984	0.378	0.591	0.717
	32.99	24.99	9.60	15.01	18.21
15	1.614	1.311	0.378	0.591	1.039
	41.00	33.30	9.60	15.01	26.39
25	2.165	1.850	0.378	0.591	1.583
	54.99	46.99	9.60	15.01	40.21

**SFP67 YY**

SERIES \_\_\_\_\_  
SHELL SIZE: \_\_\_\_\_  
09  
15  
25

RoHS COMPLIANT

UNITS = inch

DO NOT SCALE FROM DRAWING



THESE DRAWINGS AND SPECIFICATIONS ARE THE PROPERTY OF NorComp AND SHALL NOT BE REPRODUCED, COPIED OR USED AS THE BASIS FOR THE MANUFACTURE OR SALE OF APPARATUS WITHOUT WRITTEN PERMISSION.


DRAWN:  
C. SMITH  
DATE:  
08/14/2008

**NorComp**

SCALE: NTS	SHEET 1	OF 1	REV 6
DWG NO. SFP67YY			

## Looking for pricing, stock, or lifecycle information?

Click below to explore more details on WIN SOURCE:

 [View SFP6715 on WIN SOURCE](#)

 [NorComp Inc. Information](#)

## Optimize Your Supply Chain with WIN SOURCE Solutions

-  Global Sourcing Solution
-  Obsolete Management
-  Cost Control Management
-  Shortage Management
-  Alternative Solution
-  Excess Inventory Management