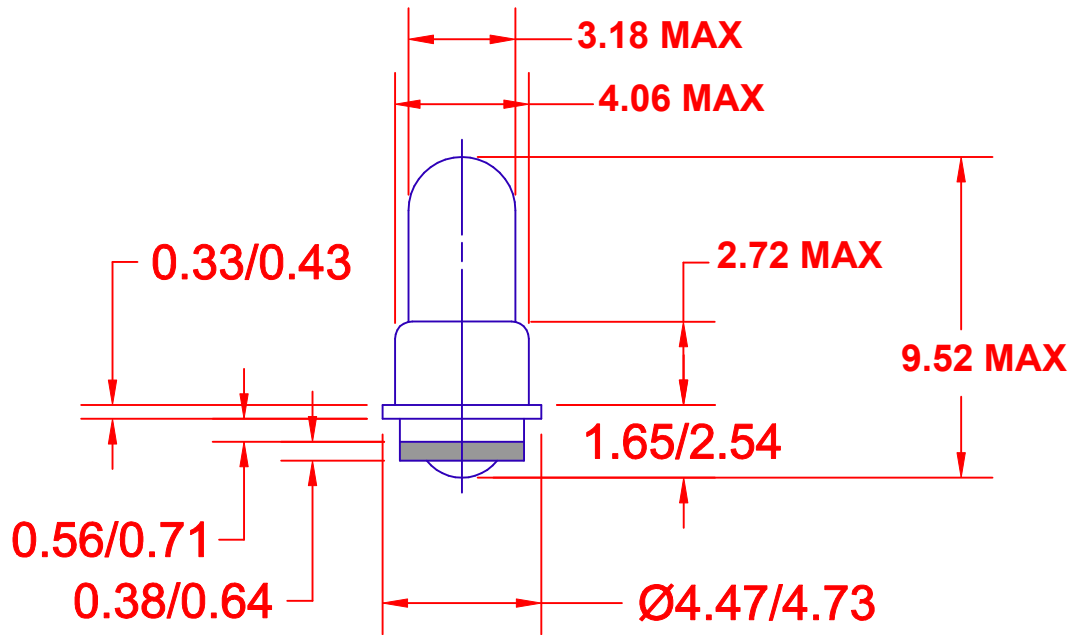




THE DATASHEET OF
7234





JKL LAMP NUMBER	VOLTS RATED	AMPS ±10%	MSCP ±25%	LUMENS ±25%	AVERAGE LIFE HRS.	FILAMENT TYPE
8102	1.5	.075	.030	0.38	16,000	C-2R
CF23	5.0	.020	.020	0.25	50,000	C-2R
8022	5.0	.021	.034	0.43	10,000	C-2R
7234	5.0	.030	.030	0.38	16,000	C-2R
682	5.0	.060	.030	0.38	100,000	C-2R
685	5.0	.060	.050	0.63	100,000	C-2R
6180	5.0	.060	.150	1.89	5,000	C-2R
714	5.0	.075	.090	1.13	25,000	C-2R
718	5.0	.115	.150	1.89	40,000	C-2R
7240	10.0	.027	.100	1.26	10,000	C-2F
32	12.0	.060	.150	1.89	16,000	C-2F
22	14.0	.040	.150	1.89	16,000	C-2F
8112	14.0	.065	.150	1.89	16,000	C-2F
7241	18.0	.026	.150	1.89	16,000	C-2F
CF16	28.0	.016	.025	0.31	16,000	C-2F
6839	28.0	.024	.150	1.89	16,000	CC-2F

		METRIC THIRD ANGLE PROJECTION		DIMENSIONS ARE IN MILLIMETERS TOLERANCE UNLESS OTHERWISE SPECIFIED 1 PL +/- 0.2 2 PL +/- 0 ANGLE +/- 0		JKL COMPONENTS CORPORATION			
						TITLE T-1 STANDARD MIDGET FLANGE			
Ch MOL and Dia to Max dim RELEASE & CANCEL 7247, 7231, 7232, CF43, 7250, CF30, CF44, CF45,		9/13/19 4/5/00	DRAWN BY L. WENGSTROM	APPVD BY DATE BW 4/5/00	SIZE A	FSCM NO. 55335	DRAWING NO.	FLANGE T-1	
		- CAD DRAWING - MANUAL REVISIONS NOT PERMITTED		SCALE NONE	RELEASED DATE 4/5/00	REVISION DATE 9/13/19	REV. NO. A	SHEET 1 OF 1	

Looking for pricing, stock, or lifecycle information?

Click below to explore more details on WIN SOURCE:

- ⊖ [View 7234 on WIN SOURCE](#)
- ⊖ [JKL Components Corp. Information](#)

Optimize Your Supply Chain with WIN SOURCE Solutions

- ✓ Global Sourcing Solution
- ✓ Obsolete Management
- ✓ Cost Control Management
- ✓ Shortage Management
- ✓ Alternative Solution
- ✓ Excess Inventory Management