

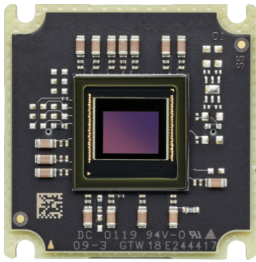


THE DATASHEET OF
12908



Alvium

1800 U-500c



- AR0521 CMOS sensor
- ALVIUM image processing
- USB3 Vision
- Various hardware options

Hardware option: Bare Board Standard

Alvium 1800 U – Your entry into high-performance imaging

Industrial USB cameras with attractive price-performance ratio

Alvium 1800 U-500 with ON Semi AR0521SR runs 68.0 frames per second at 5.0 MP resolution.

Alvium 1800 U is your entry into high-performance imaging with ALVIUM® Technology for industrial applications. Equipped with the newest generation of sensors, these small and lightweight cameras deliver high image quality and frame rates at the best price-performance ratio. With its USB3 Vision compliant interface and industrial-grade hardware, it is your workhorse for different machine vision applications whether it is on a PC-based or an embedded system.

Easy software integration with **Vimba X** and compatibility to the most popular third party image-processing libraries.

In addition to lens mount and housing options, see [Customization and OEM Solutions webpage](#) for additional options.

Specifications

Product code	12908
Interface	USB3 Vision
Resolution	2592 (H) × 1944 (V)
Spectral range	300 to 1100 nm
Sensor	ON Semi AR0521SR
Sensor type	CMOS
Shutter mode	RS (Rolling shutter)
Sensor size	Type 1/2.5
Pixel size	2.2 μm × 2.2 μm
Lens mounts (available)	C-Mount, CS-Mount, S-Mount
Max. frame rate at full resolution	68 fps at ≥ 375 MByte/s, Mono8
ADC	10 Bit
Image buffer (RAM)	256 KByte
Non-volatile memory (Flash)	1024 KByte

Imaging performance

Imaging performance data is based on the evaluation methods in the EMVA 1288 Release 3.1 standard for characterization of image sensors and cameras. Measurements are typical values for monochrome models measured without optical filter.

Quantum efficiency at 529 nm	79 %
Temporal dark noise	5.9 e ⁻
Saturation capacity	9890 e ⁻
Dynamic range	63 dB
Absolute sensitivity threshold	7.1 e ⁻

Output

Bit depth	10-bit
Monochrome pixel formats	Mono8, Mono10, Mono10p, Mono12, Mono12p
YUV color pixel formats	YCbCr411_8_CbYYCrYY, YCbCr422_8_CbYCrY, YCbCr8_CbYCr
RGB color pixel formats	RGB8 (default), BGR8

Raw color pixel formats (Bayer)

BayerGR8, BayerGR10, BayerGR10p, BayerGR12, BayerGR12p

General purpose inputs/outputs (GPIOs)

TTL I/Os

4 programmable GPIOs

Operating conditions/dimensions

Operating temperature -20 °C to +85 °C (cooling areas)

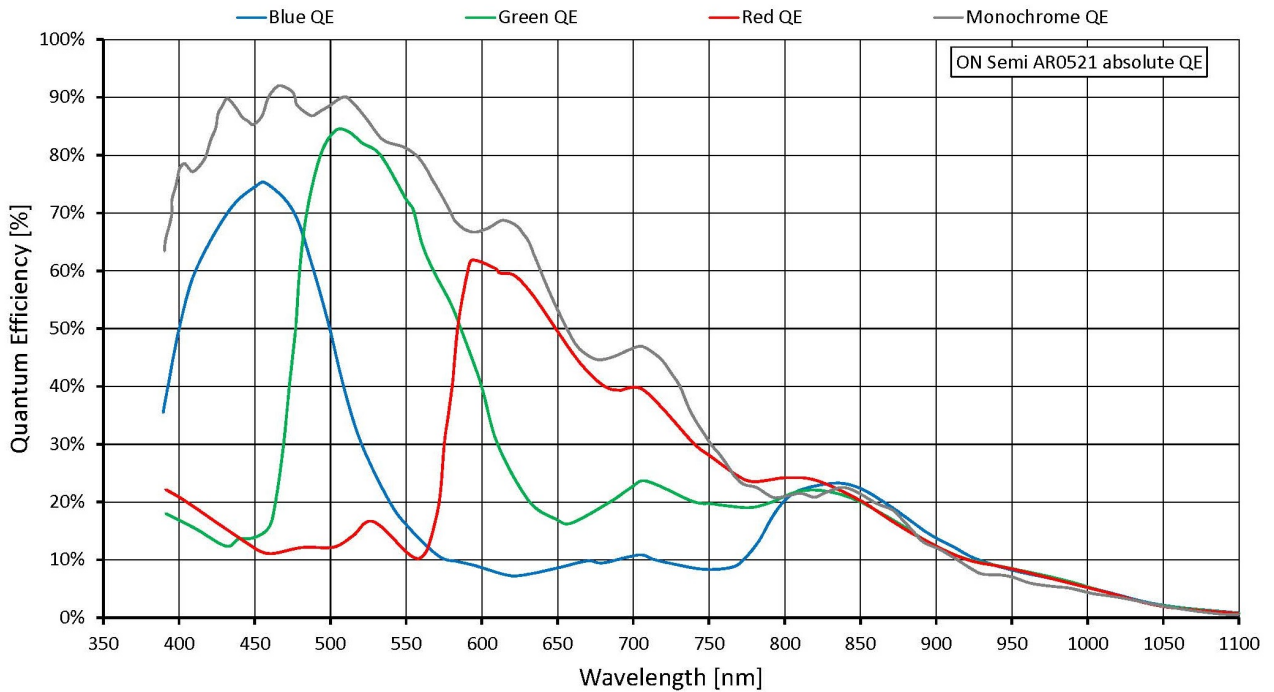
Power requirements (DC) Power over USB 3.1 Gen 1 | External power 5.0 V

Power consumption USB power: 2.2 W (typical) | Ext. power: 2.4 W (typical)

Mass 15 g

Body dimensions (L × W × H in mm) 13 × 26 × 26

Quantum efficiency



Features

Image control: Auto

- Auto exposure
- Auto gain
- Auto white balance (color models)

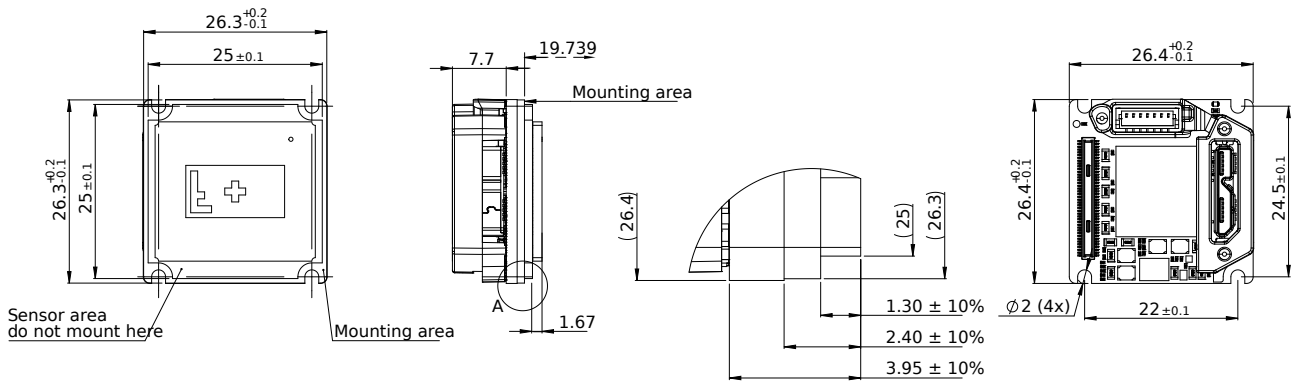
Image control: Other

- Adaptive noise correction
- Binning (digital)
- Binning (digital, sensor)
- Black level
- Color transformation (incl. hue, saturation; color models)
- Contrast
- Custom convolution
- De-Bayering up to 5×5 (color models)
- DPC (defect pixel correction)
- FPNC (fixed pattern noise correction)
- Gamma
- Lens shading correction
- LUT (look-up table)
- Reverse X/Y
- ROI (region of interest)
- Sharpness/Blur

Camera control



- Acquisition frame rate
- Bandwidth control
- Counters and timers
- Event channel
- Firmware update in the field
- I/O and trigger control
- Image chunk data
- Power Saving Mode
- Serial I/Os
- Temperature monitoring
- User sets

Technical drawing



Looking for pricing, stock, or lifecycle information?

Click below to explore more details on WIN SOURCE:

-  [View 12908 on WIN SOURCE](#)
-  [Allied Components International](#) Information

Optimize Your Supply Chain with WIN SOURCE Solutions

-  Global Sourcing Solution
-  Obsolete Management
-  Cost Control Management
-  Shortage Management
-  Alternative Solution
-  Excess Inventory Management