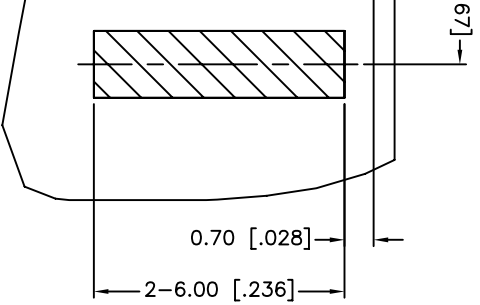




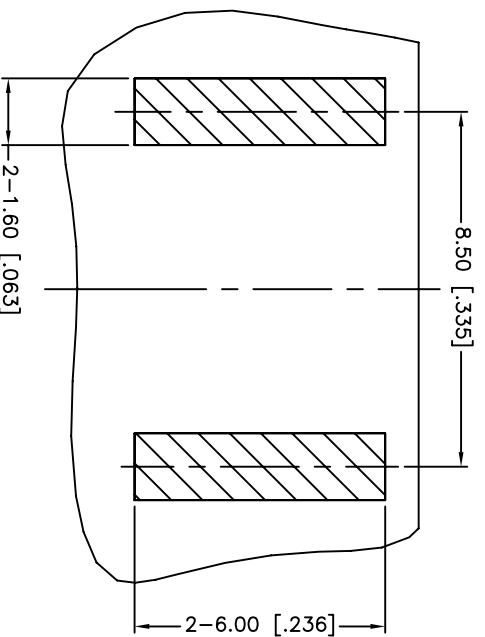
THE DATASHEET OF
132432



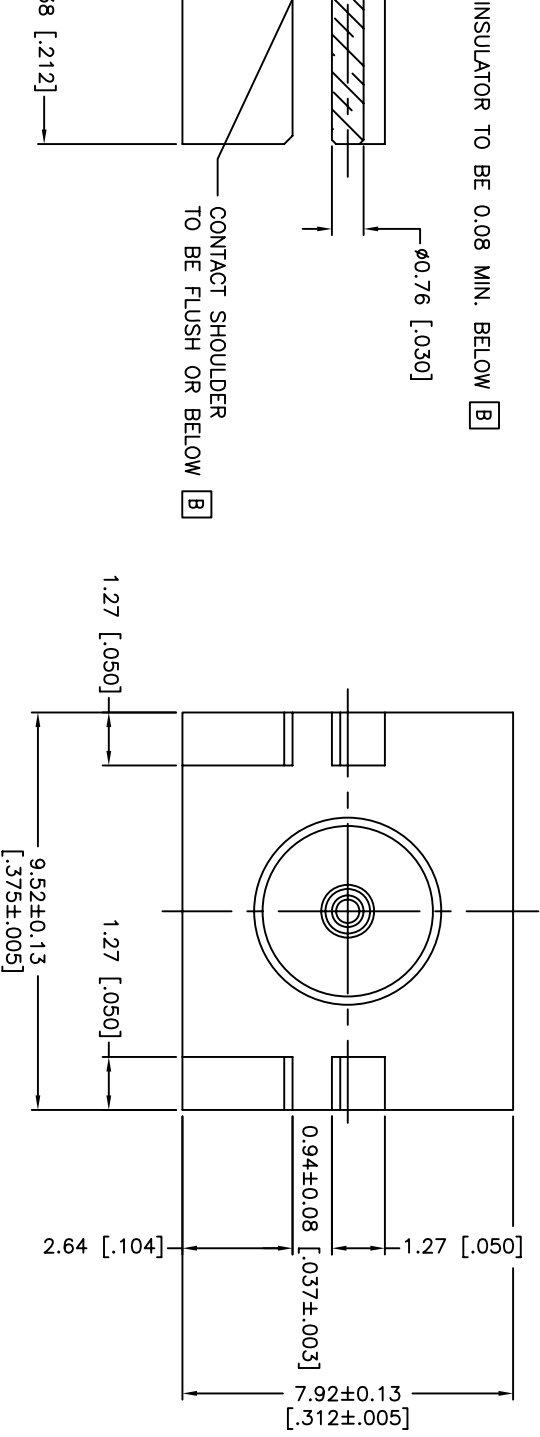
REV.	DATE	ECR NO.	DESCRIPTION
NC	01/31/12	XXXXXX	INITIAL RELEASE



RECOMMENDED PCB LAYOUT



BOTTOM VIEW



INSULATOR TO BE 0.08 MIN. BELOW **B**



CONTACT SHOULDER TO BE FLUSH OR BELOW **B**

MIN. AL FORCE.

UNLESS OTHERWISE SPECIFIED DIMENSIONS ARE IN MILLIMETERS DIMENSIONS IN PARENTHESIS ARE IN INCHES AND FOR CUSTOMER REFERENCE ONLY.		APPROVALS		DATE		PART DESCRIPTION					
TOLERANCES FOR MILLIMETERS ARE: 0.5 - 8mm ± 0.20mm 8 - 30mm ± 0.40mm 30 - 120mm ± 0.50mm		DRAWN M.ZHANG		01/31/12		<p>Amphenol Connex</p> <p>SMA END LAUNCH RECEPT. JACK FLUSH FLANGE (.032" BOARD THICKNESS)</p>					
TOLERANCES FOR INCHES ARE: .020 - .315 = ± 0.007" .315 - 1.180 = ± 0.015" 1.180 - 4.724 = ± 0.020"		CHECKED									
UNLESS OTHERWISE SPECIFIED DIMENSIONS ARE IN MILLIMETERS DIMENSIONS IN PARENTHESIS ARE IN INCHES AND FOR CUSTOMER REFERENCE ONLY.		ISSUED									
DO NOT SCALE DRAWING		SHEET 1 OF 1									
QTY 1		GND FILE C:/CONNEX/132432.DWG		DWG. NO. 132432.DWG		REV. NC		SIZE A		SCALE NA	
PRT NO. 132432											

Looking for pricing, stock, or lifecycle information?

Click below to explore more details on WIN SOURCE:

-  [View 132432 on WIN SOURCE](#)
-  [Amphenol-RF Division Information](#)

Optimize Your Supply Chain with WIN SOURCE Solutions

-  Global Sourcing Solution
-  Obsolete Management
-  Cost Control Management
-  Shortage Management
-  Alternative Solution
-  Excess Inventory Management