

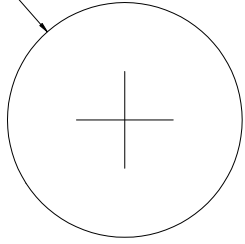


THE DATASHEET OF
222144

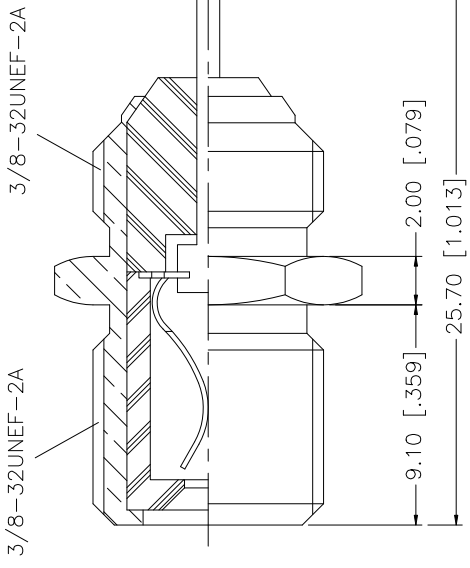
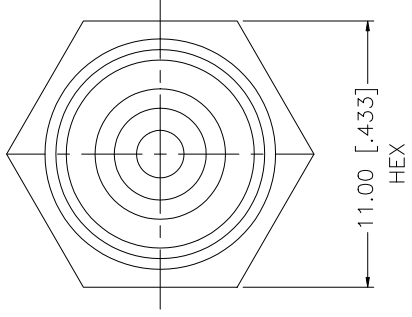


REV.	DATE
A	01/25/99
B	06/14/07
UPD	

ø9.70 [ø.382]



RECOMMENDED
MOUNTING HOLE DIMENSIONS



8							
7							
6							
5	GASKET	N.B.R.	BLACK	1			
4	INSULATOR	DELRI	NATURAL	1			
3	CONTACT PIN	BRASS	BRIGHT TIN	1			
2	INSULATOR	P.P	NATURAL	1			
1	BODY	BRASS	NICKEL	1			
	DESCRIPTION	MATERIAL	FINISH	QTY			

UNLESS OTHERWISE SPECIFIED DIMENSIONS ARE IN MILLIMETERS. DIMENSIONS IN [] ARE IN INCHES AND FOR CUSTOMER REFERENCE ONLY.

UNLESS OTHERWISE SPECIFIED TOLERANCES FOR MILLIMETERS ARE:

0.5 - 8mm ± 0.20mm
8 - 30mm ± 0.40mm
30 - 120mm ± 0.50mm

UNLESS OTHERWISE SPECIFIED TOLERANCES FOR INCHES ARE:

.020 - .315 = ± 0.007"
.315 - 1.180 = ± 0.015"
1.180 - 4.724 = ± 0.020"

DO NOT SCALE DRAWING

APPROVALS	DATE
DRAWN G.R.S.	06/14/07
CHECKED	
ISSUED	
SHEET 1 OF 1	
CAD FILE C:/222/222144.DWG	

Ampher

PART DESCRIPTION



F STRAIGHT RECEP

PART NO.

DWG. NO. 222144.DWG

Looking for pricing, stock, or lifecycle information?

Click below to explore more details on WIN SOURCE:

-  [View 222144 on WIN SOURCE](#)
-  [Amphenol-RF Division Information](#)

Optimize Your Supply Chain with WIN SOURCE Solutions

-  Global Sourcing Solution
-  Obsolete Management
-  Cost Control Management
-  Shortage Management
-  Alternative Solution
-  Excess Inventory Management