

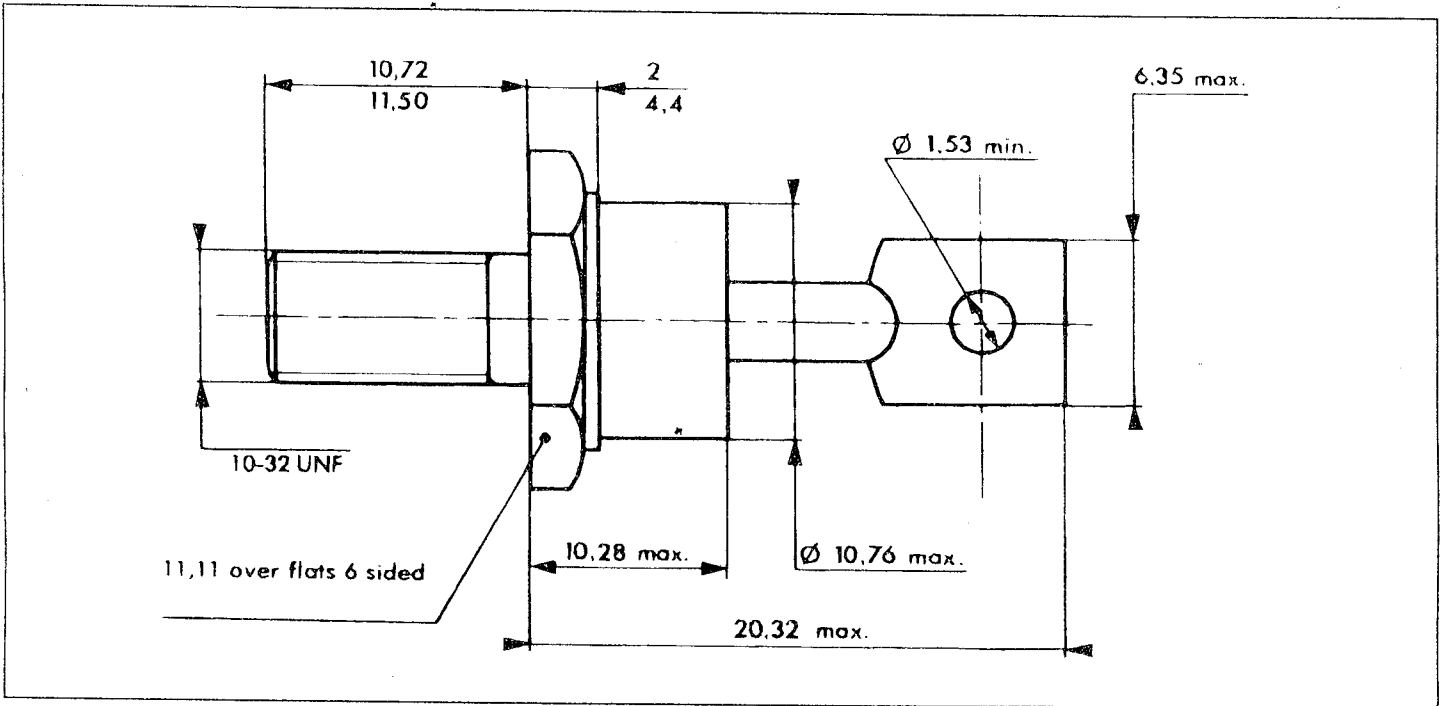


**THE DATASHEET OF
25FR120**



PACKAGE MECHANICAL DATA



DO 4 Metal



Marking : Cathode connected to case : type number
Anode connected to case : type number + suffix R

Looking for pricing, stock, or lifecycle information?

Click below to explore more details on WIN SOURCE:

-  [View 25FR120 on WIN SOURCE](#)
-  [Solid State Inc. Information](#)

Optimize Your Supply Chain with WIN SOURCE Solutions

-  Global Sourcing Solution
-  Obsolete Management
-  Cost Control Management
-  Shortage Management
-  Alternative Solution
-  Excess Inventory Management