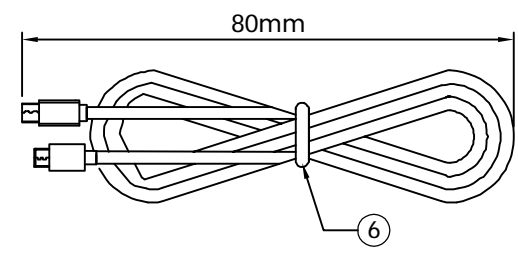
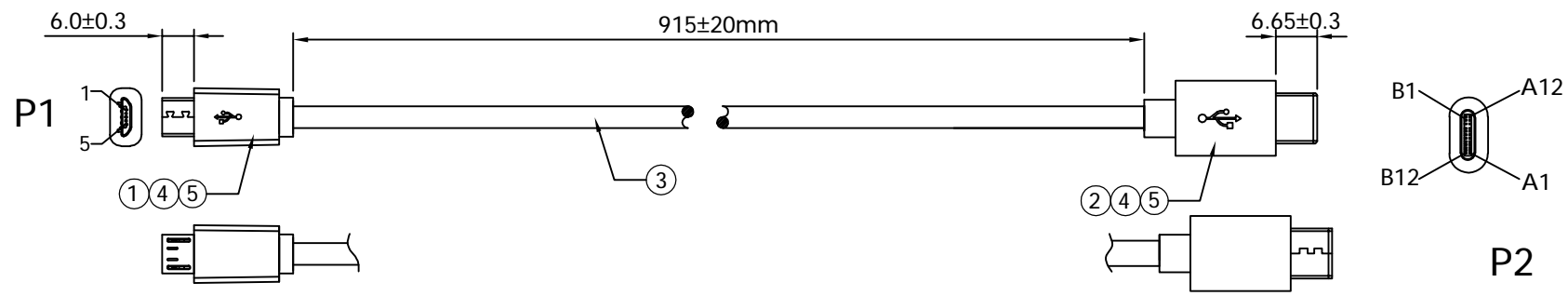




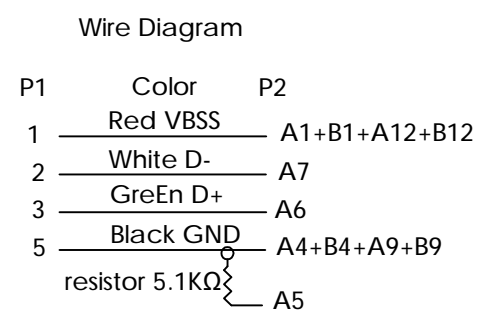
**THE DATASHEET OF**  
**3878**



環保物料專用  
RoHS compliant



Electrical Character:  
100% Open/Short  
Contact Resistance: 3 Ohms Max.  
Hi-Pot: 200V AC/0.01S  
Insulation Resistance: 10M Ohms Min.





Bill Of Material

No.	Part	Material Name and Name	Unit	Qty
6	TIE	TIE:Black	SET	1
5	Molding	Outer Over Moulding 35P PVC Color:Black	SET	1
4	Molding	internal mold PE Color:translucent	PCS	
3	CABLE	(10/0.10BC ID:0.75 HDPE White、Green)+(33/0.10BC ID:1.0mm PVC RED、BLACK) 75P PVC OD:3.5mm Jacket Color Black	PCS	
2	CONN	USB 3.1 C Type Male,Gold Flash pin,Solder Type,Natural Insulation,resistor 5.1KΩ	SET	1
1	CONN	Micro USB B Male front five back four, PBT Black Solder Type	SET	1

	DESCRIPTION(內容): USB TYPE C TO Micro-USB B Type Male Cable Assembly	DRAWN(製圖): <b>Tom Liu</b> CHECKED(確認): <b>Jack Wu</b> APPROVAL(核准): <b>Kane He</b>	GENERAL TOLERANCE		REV:	DESCRIPTION	DATE
			LINEAR	ANGLES	A/1		
			X.: ±0.50	X°: ±5.0°	UNIT:		
			X.X: ±0.20	X.X°: ±3.0°	mm		
A4	SCALE(比例): 1:XX	THIRD ANGLE PROJECTION	PART NO: (料號) CBUSB-CM-MCBM-915	X.XX: ±0.15	X.XX°: ±2.0°	SHEET:	
			DWG NO(圖號): KWRD180328-091	X.XXX: ±0.10	X.XXX°: ±1.0°	1/2	

## Looking for pricing, stock, or lifecycle information?

Click below to explore more details on WIN SOURCE:

-  [View 3878 on WIN SOURCE](#)
-  [Inspired LED, LLC Information](#)

## Optimize Your Supply Chain with WIN SOURCE Solutions

-  Global Sourcing Solution
-  Obsolete Management
-  Cost Control Management
-  Shortage Management
-  Alternative Solution
-  Excess Inventory Management