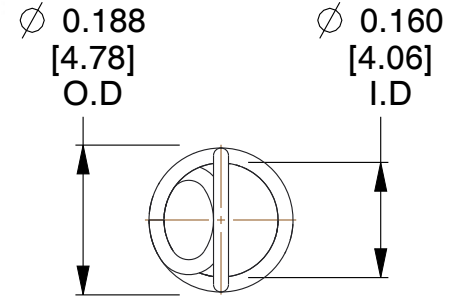
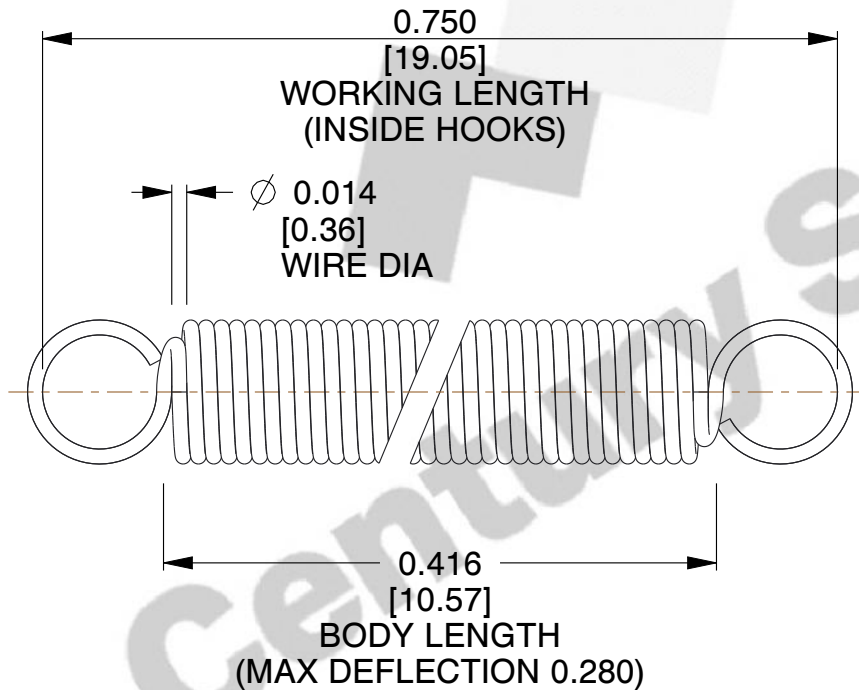




**THE DATASHEET OF
80033SCS**





NOTES:

1. Material : Stainless Steel
2. Finish :
3. Sugg Max. Load : 0.550 (lbs)
4. Sugg Max. Deflection : 0.280 (in)
5. All Drawing Dimensions are in Inches [mm]
6. Coi

COMPONENT		SPRINGS	
ZZ3-11		UNIT	
		INCH [mm]	
		SHEET	
		1 of 1	
EXTENSION SPRINGS			

Looking for pricing, stock, or lifecycle information?

Click below to explore more details on WIN SOURCE:

 [View 80033SCS on WIN SOURCE](#)

 [Century Spring Corp](#) Information

Optimize Your Supply Chain with WIN SOURCE Solutions

-  Global Sourcing Solution
-  Obsolete Management
-  Cost Control Management
-  Shortage Management
-  Alternative Solution
-  Excess Inventory Management