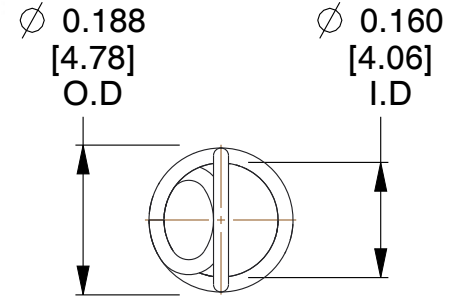
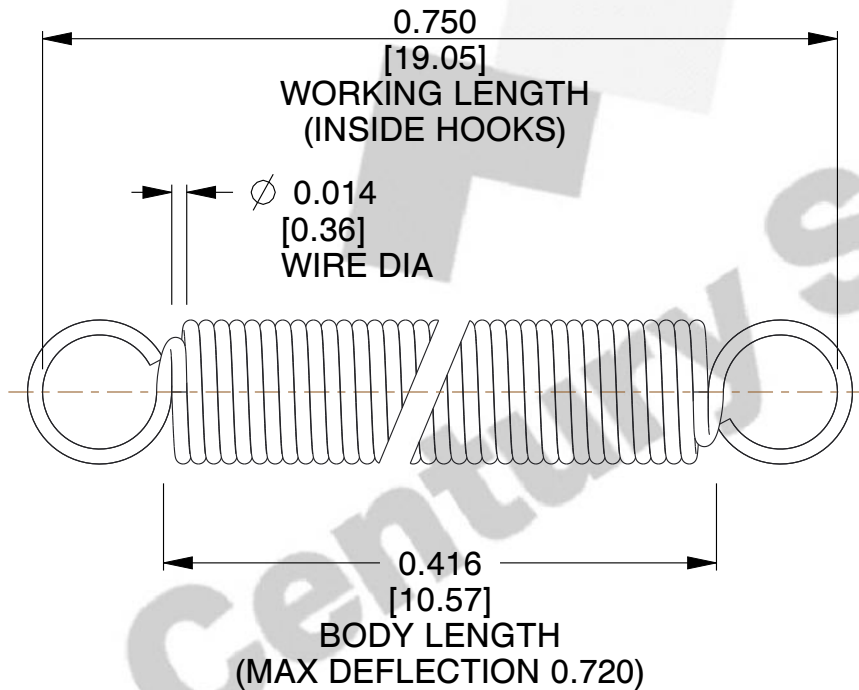




**THE DATASHEET OF  
80053SCS**





**NOTES:**

1. Material : Stainless Steel
2. Finish :
3. Sugg Max. Load : 0.550 (lbs)
4. Sugg Max. Deflection : 0.720 (in)
5. All Drawing Dimensions are in Inches [mm]
6. ("The coil count, body length, and end position is for reference only")

COMPONENT		SPRINGS	
<b>ZZ3-11</b>		UNIT	
		INCH [mm]	
		SHEET	
		1 of 1	
<b>EXTENSION SPRINGS</b>			

## Looking for pricing, stock, or lifecycle information?

Click below to explore more details on WIN SOURCE:

 [View 80053SCS on WIN SOURCE](#)

 [Century Spring Corp](#) Information

## Optimize Your Supply Chain with WIN SOURCE Solutions

-  Global Sourcing Solution
-  Obsolete Management
-  Cost Control Management
-  Shortage Management
-  Alternative Solution
-  Excess Inventory Management