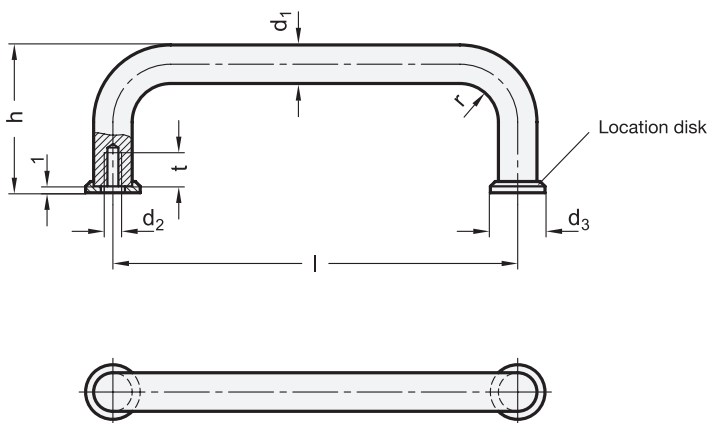




**THE DATASHEET OF  
40-60-3/8X16-150-A1-S**





**Specification**

• Stainless steel	<b>NI</b>	<b>1</b>	<b>4</b>
- AISI 303			
for all inch sizes and $d_1 = 6, 8, 10$ mm			
- AISI 304			
for $d_1 = 12, 16$ mm			
- Matte shot-blasted finish	<b>GS</b>		
- Electropolished finish (metric only)	<b>EP</b>		
• Stainless steel AISI 316L	<b>A4</b>		
Matte shot-blasted finish	<b>GS</b>		
• Aluminum	<b>AL</b>		
- Powder coated			
Black, RAL 9005, textured finish	<b>● SW</b>		
Silver, RAL 9006, textured finish	<b>● SR</b>		
Red, RAL 3000, textured finish	<b>● RS</b>		
- Anodized finish, natural color	<b>● EL</b>		
• Location disks			
- Zinc die-cast, nickel plated (for AL)			
- Stainless steel AISI 303 (for NI)			
- Stainless steel AISI 316L (for A4)			
• Load Rating Information → page 2068			
• Stainless Steel Characteristics → page 2143			
• RoHS compliant			

**Information**

GN 425 cabinet “U” handles are manufactured from a bent stainless steel or aluminum profile. They are supplied with two location disks to guarantee a perfect location even with large holes in the cabinet. The location disks are enclosed in the package with the handle. (Not included for  $\varnothing d_1 = 12$  and  $16$  mm)

The manufacturing process allows the production of special lengths in relatively small quantities.

see also...

- Cabinet “U” Handles GN 425.1 (Offset Round Stainless Steel or Aluminum) → page 144
- Cabinet “U” Handles GN 427 (Aluminum, Ellipse Shaped Profile) → page 137
- Cabinet “U” Handles GN 427.5 (Stainless Steel, Ellipse Shaped Profile) → page 137
- Cabinet “U” Handles GN 565.5 (Stainless Steel, Ellipse Shaped Profile) → page 100

**On request**

- Electropolished stainless steel A4 version
- Electropolished stainless steel NI version in inch sizes
- Various inch and metric size fasteners and kit packaging
- For certain minimum quantities, other lengths according to customer requirements

How to order (Stainless steel)	<b>1</b> Material
<b>1</b> <b>2</b> <b>3</b> <b>4</b>	<b>2</b> Handle diameter $d_1$
<b>GN 425-NI-0.31-2.00-GS</b>	<b>3</b> Length $l$
	<b>4</b> Finish

How to order (Aluminum)	<b>1</b> Material
<b>1</b> <b>2</b> <b>3</b> <b>4</b>	<b>2</b> Handle diameter $d_1$
<b>GN 425-AL-12-125-SW</b>	<b>3</b> Length $l$
	<b>4</b> Finish

### Inch table

2

3

Dimensions in: inches - millimeters

d <sub>1</sub> NI	A4	Length l ±0.020										d <sub>2</sub> Thread	d <sub>3</sub>	h	r	t min.
		2.00	2.50	3.00	3.50	4.00	4.50	5.00	-	-	-					
0.31 7.9	-	2.00 50.8	2.50 63.5	3.00 76.2	3.50 88.9	4.00 101.6	4.50 114.3	5.00 127.0	-	-	8 x 32	0.47 11.9	1.38 35.1	0.39 9.9	0.31 7.9	
0.39 9.9	0.39 9.9	3.00 76.2	3.50 88.9	4.00 101.6	4.50 114.3	5.00 127.0	6.00 152.4	7.00 177.8	8.00 203.2	9.00 228.6	10 x 32	0.59 15.0	1.69 42.9	0.47 11.9	0.47 11.9	

### Metric table

2

3

Dimensions in: millimeters - inches

d <sub>1</sub> NI	A4	AL	Length l ±0.5								d <sub>2</sub> Thread	d <sub>3</sub>	h	r	t min.
			32	45	55*	64	88*	-	-	-					
6 0.24	-	-	32 1.26	45 1.77	55* 2.17	64 2.52	88* 3.46	-	-	-	M 3	9 0.35	26 1.02	7 0.28	7 0.28
8 0.31	-	8 0.31	55* 2.17	64 2.52	88* 3.46	96 3.78	100 3.94	120* 4.72	128 5.04	-	M 4	12 0.47	35 1.38	10 0.39	8 0.31
10 0.39	10 0.39	10 0.39	88* 3.46	100 3.94	120* 4.72	180* 7.09	200 7.87	235* 9.25	-	-	M 5	15 0.59	43 1.69	12 0.47	12 0.47
12** 0.47	-	12 0.47	125 4.92	160 6.30	200 7.87	250 9.84	-	-	-	-	M 6	-	51 2.01	14 0.55	12 0.47
16** 0.63	-	16 0.63	160 6.30	200 7.87	250 9.84	300 11.81	-	-	-	-	M 6	-	59 2.32	18 0.71	12 0.47



\* Suitable for 19" rack and enclosure layout  
 \*\* Location disks are not included for Ø d<sub>1</sub> = 12 and 16 mm

1.1  
1.2  
1.3  
1.4  
2.1  
2.2  
2.3  
2.4



## Looking for pricing, stock, or lifecycle information?

Click below to explore more details on WIN SOURCE:

-  [View 40-60-3/8X16-150-A1-S on WIN SOURCE](#)
-  [J.W. Winco Information](#)

## Optimize Your Supply Chain with WIN SOURCE Solutions

-  Global Sourcing Solution
-  Obsolete Management
-  Cost Control Management
-  Shortage Management
-  Alternative Solution
-  Excess Inventory Management